

CAPACITOR CATALOG 丰明电容

工业·新能源类电容器
Industrial Application & Renewable Energy Capacitor

为成功的企业配套。为企业的成功配套
To support a successful enterprise
To support the success of an enterprise



广东丰明电子科技有限公司
GUANGDONG FENGMING ELECTRONIC TECH. CO., LTD.

广东省佛山市顺德区北滘镇黄龙村委会龙乐路1号
NO.1, LONGLE ROAD, BEIJIAO TOWN, SHUNDE, FOSHAN, GUANGDONG, CHINA

☎ 0757-2360 2823
☎ 0757-26331688
✉ info@bm-cap.com
🌐 www.bm-cap.cn/www.bm-cap.com



扫一扫二维码，简便
获取更多产品资讯。





广东丰明电子科技有限公司，始创于2000年，占地3.3万平方米，拥有10万平米高标准厂房，日产电容器500万只，2019年产值9.1亿，其中工业事业部产值2亿。

丰明电子分设三大研究中心及六大产品事业部，从事多类薄膜电容器及金属化薄膜的应用研究、开发、设计、制造与销售。

As the leading MPP capacitor manufacturer in China, BM has been specialized in the development, manufacturing and sales of capacitor for decades.

BM capacitors are widely used in appliance, lighting, industrial equipment, solar, inverter, UPS etc. With stable quality and superior service, BM has been the long-term partner of world-wide customers.

BM has acquired certificates of ISO, CQC, VDE, UL, KC etc which could fulfill customers' versatile requirements.

For more info, please get on www.bm-cap.com

BM always assures you the best service.

丰明电子以“为企业成功配套，为企业的成功配套”为经营理念，以“专业化为主、多元化发展”的市场细分方针，陆续和格力、海尔、美的、格兰仕、九阳、苏泊尔、艾美特、开利、亨特、三星、LG等国内外知名品牌建立了良好而持久的合作关系。

“To support a successful enterprise, to support the success of an enterprise.” Fengming hold this operation principle, and stick on specialization and diversification, we established long and stable cooperation with many famous enterprise at home and abroad, such as Gree, Haier, Midea, Galanz, Joyoung, Supor, Airmate, Carrier, Hunter, Samsung, LG.



三大研究中心 3 Research Centers



六大产品事业部 6 Product Divisions



广东省著名商标
Famous-brand in Guangdong Province



广东省名牌产品
Famous-brand products in Guangdong Province



高新技术企业
High-tech Enterprises



顺德区质量信用A级企业
Quality Credit A Class Enterprises in Shunde Area



广东省著名商标
Famous mark in Guangdong Province



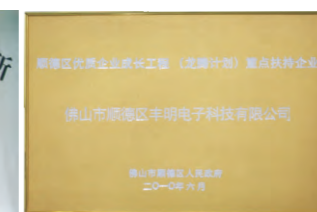
广东省名牌产品
Famous-brand products in Guangdong Province



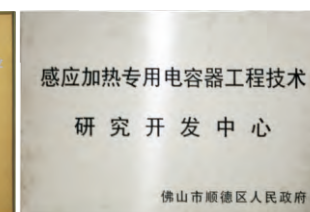
广东省民营科技企业
Private Science and Technology Enterprises in Guangdong Province



广东欧博企业管理研究所
工匠型企业实验基地
Craftsman Enterprises Laboratory Base for OuBo Enterprises management Research Institute in Guangdong Province



顺德区龙腾企业
LQ Enterprises in Shunde Area



顺德区感应加热专用电容器工程技术研究开发中心
Induction Heating Capacitor Engineering R&D Center in Shunde Area



产品开发中心 R&D Center



工艺研究中心 Technology Research Center



实验检测中心 Testing Center



专利清单 Patent List :

实用新型专利 Utility model patent

申请人	申请号	授权日期	名称
1.广东丰明电子科技有限公司	200720050835.3	2008-03-12	一种新型电容器绝缘塑料外壳
2.广东丰明电子科技有限公司	200920056248.4	2010-02-17	一种薄膜分切机的收卷轴
3.广东丰明电子科技有限公司	200920056247.X	2010-02-17	一种电容器端子包裹器
4.广东丰明电子科技有限公司	200920056249.9	2010-02-17	一种电容器外壳
5.广东丰明电子科技有限公司	200920058449.8	2010-05-26	一种电容器的自动包胶机
6.广东丰明电子科技有限公司	200920058450.0	2010-05-05	一种安全型金属化薄膜电容器
7.广东丰明电子科技有限公司	201020119520.1	2010-02-09	一种安规电容器的外壳
8.广东丰明电子科技有限公司	201020505949.4	2011-04-27	一种新型电容器外壳
9.广东丰明电子科技有限公司	201020538715.X	2011-03-16	一种用于直流滤波电容器的外壳
10.广东丰明电子科技有限公司	201020572625.2	2011-04-27	一种用于外接引线的电容器
11.广东丰明电子科技有限公司	201020613387.5	2011-06-15	一种用于感应加热的模块式电容器
12.广东丰明电子科技有限公司	201020627485.4	2011-06-29	一种具有安全防爆的电容器
13.广东丰明电子科技有限公司	201120109690.6	2011-10-05	一种新型微波炉用干式结构电容器
14.广东丰明电子科技有限公司	201120136554.6	2011-12-14	一种用于直流滤波的中心散热式电容器
15.广东丰明电子科技有限公司	201120562909.8	2012-08-15	用于感应加热的外置型电容器
16.广东丰明电子科技有限公司	201320346909.3	2013-11-13	一种中心加强散热式电容器
17.广东丰明电子科技有限公司	201320375209.7	2013-11-13	一种全塑封式端子引出型电容器
18.广东丰明电子科技有限公司	201520582143.8	2015-12-09	一种圆芯方壳端子引出型电容器
19.广东丰明电子科技有限公司	201720098653.7	2017-10-24	一种高效防潮电容器
20.广东丰明电子科技有限公司	201720098661.1	2017-08-04	一种用于电磁感应加热的电容器
21.广东丰明电子科技有限公司	201821129180.3	2019-01-04	一种内串式金属化安全膜电容器
22.广东丰明电子科技有限公司	201821727726.5	2019-05-21	一种散热式模组电容器
23.广东丰明电子科技有限公司	201821812365.4	2019-04-23	一种便于定位结构的电容器
24.广东丰明电子科技有限公司	201821907973.3	2019-07-02	一种高压金属箔式电容器
25.广东丰明电子科技有限公司	201920033666.5	2019-08-13	一种内串式抗电晕金属化膜
26.广东丰明电子科技有限公司	201920492709.6	2019-11-22	一种快速换接引线型电容器
27.广东丰明电子科技有限公司	201920636823.1	2019-11-22	一种插入式安装耳的电容器外壳
28.广东丰明电子科技有限公司	201921524741.4	2020-04-03	一种内串式防爆薄膜电容器
29.广东丰明电子科技有限公司	202020269223.9	2020-10-16	一种降低冷热冲击应力的电容器

外观专利 Appearance patent

申请人	申请号	授权日期	名称
1.广东丰明电子科技有限公司	201030569113.6	2011-02-09	电容器 (CBB61)
2.广东丰明电子科技有限公司	201730307058.5	2017-12-12	方形电容器壳体
3.广东丰明电子科技有限公司	201830117513.X	2018-03-20	安规电容器 (标识设计)

丰明电子全面执行ISO9001及ISO14001国际质量与环境体系标准。
Complied with ISO9001 and ISO14001 International quality and environment standard.

ISO9001及ISO14001国际质量与环境体系标准

IATF16949汽车质量管理体系认证



ROHS



UL



TUV



一、主要引用标准
Main reference standards

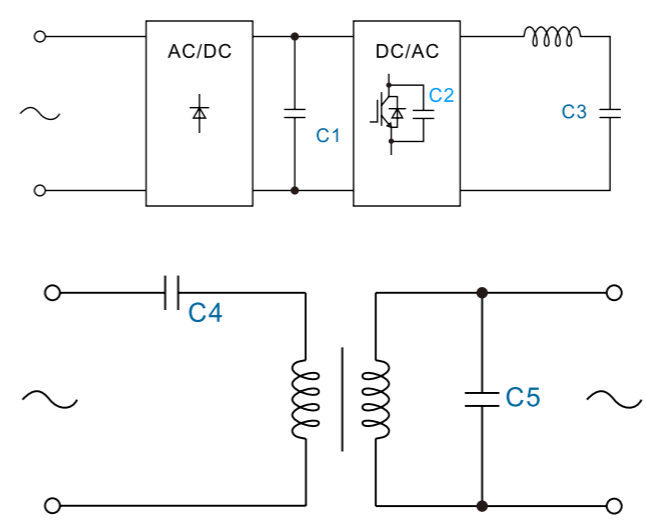
我司工业电容器主要引用标准是由中国国家标准委员会发布的GB/17702、GB/T3984.1、GB/T3984.2、GB/12747.1、GB/12747.2和GB/11024.1、GB/11024.2(分别等同于国际电工委员会制定的IEC61071、IEC60110-1、IEC60110-2、IEC60831-1、IEC60831-2和IEC60871-1、IEC60871-2)。同时为满足特殊应用场合需求(如铁路轨道、电动汽车等应用场合),我司也引用了TB/T3075、TB/T3058(分别等同于IEC61881、IEC61373)等标准作为补充。

我司主要依据以上标准,制定了工业电容器各个型号产品的企业标准,以供内部引出。
工业电容器主要引用标准列举如下:

The main standards of Fengming industrail capacitor are GB/17702,GB/T3984.1,GB/T3984.2;GB/12747.1,GB/12747.2 and GB/11024.1, GB/11024.2(these standards are equal to IEC61071,IEC60110-1,IEC60110-2;IEC60831-1,IEC60831-2;IEC60871-1,IEC60871-2,prepared by IEC), published by China National standardization committee. As supplementary, Fengming also refers to TB/T3075(IEC61881 idt),TB/T3058 According to the basic requirement of above standards, Fengming made detailed standards of various types of capacitors for internal use. The are corresponding specification lists as below for industrial capacitor:

序号 NO.	标准号 Standard NO.	标准名称 Standards
1	GB/17702 (IEC61071)	电力电子电容器 Power electronic capacitors
2	GB/12747.1 (IEC60831-1)	标称电压1KV及以下交流电力系统的自愈式并联电容器 第1部分:总则——性能、试验和额定——安全要求——安装和运行导则 Shunt power capacitors of the self-healing type for a.c. systems having a rated voltage up to and including 1 kV Part 1: General-Performance, testing and rating-Safety requirements-Guide for installation and operation
3	GB/12747.2 (IEC60831-2)	标称电压1KV及以下交流电力系统的自愈式并联电容器 第2部分:老化试验、自愈性试验和破坏试验 Shunt power capacitors of the self-healing type for a.c. systems having a rated voltage up to and including 1 kV Part 2: General-Ageing Test, Self-healing trial and Requirements for Disconnecting Internal Fuses
4	GB/11024.1 (IEC60871-1)	标称电压1KV以上交流电力系统的自愈式并联电容器 第1部分:总则——性能、试验和额定——安全要求——安装和运行导则 Shunt power capacitors of the self-healing type for A.C. systems having a rated voltage above 1 kV Part 1: General-Performance, testing and rating-Safety requirements-Guide for installation and operation
5	GB/11024.2 (IEC60871-2)	标称电压1KV以上交流电力系统的自愈式并联电容器 第2部分:老化试验、自愈性试验和破坏试验 Shunt power capacitors of the self-healing type for a.c. systems having a rated voltage above 1 kV Part 2: General-Ageing Test, Self-healing trial and Requirements for Disconnecting Internal Fuses
6	TB/T3075 (IEC61881)	铁路应用 机车车辆设备 电力电子电容器 Railway applications-Rolling stock equipment-capacitors for power electronics
7	TB/T3058 (IEC61373)	铁路应用 机车车辆设备 冲击和振动试验 Railway applications-Rolling stock equipment Shock and vibration tests
8	AEC-Q200	AEC-Q200 STRESS TEST
9	GB/T3984.1 (IEC60110-1)	感应加热装置用电力电容器 第1部分:总则 Power capacitors for induction heating installations-Part 1:General
10	GB/T3984.2 (IEC60110-2)	感应加热装置用电力电容器 第2部分:老化试验、破坏试验和内部熔丝隔离要求 Power capacitors for induction heating installations-Part 2:Ageing Test, Destruction Test And Requirements for Disconnecting Internal Fuses

二、选型指引
Guide for capacitors selecting



电容 Capacitor	功能 Function	型号 Type	PCB安装系列 For PCB mounting series	其他安装系列 Series
C1	直流滤波 DC Link	DKMJ	DKMJ-P	DKMJ-C, DKMJ-X, DKMJ-B, DKMJ-J, DKMJ-Y, DJMJ-B
C2	缓冲吸收 Snubber	SKMJ	SKMJ-PN	SKMJ-PT, SKMJ-J, SKMJ-Y
C3	Lc谐振 Resonant	RKMJ	RKMJ-P	RKMJ-Y, RKMJ-J, RKMJ-P
C4	耦合隔直 Coupling	CKMJ	CKMJ-P	CKMJ-C
C5	交流滤波 AC filter	AKMJ	AKMJ-P	AKMJ-C, AKMJ-B, AJMJ-C, AJMJ-B

三、标准术语

- 1、额定容量 C_N
设计电容器时所规定的电容量值。
- 2、电容的允许偏差 C_{tol}
实测电容量与额定容量之间的误差，其数值为：
 $C_{tol} = (C - C_N) / C_N * 100\%$
C:电容器的实际测试电容量
 C_N :电容器的额定容量
电容的允许偏差决定其用途，允许偏差的优先值为 $\pm 5\%$ (J级) ； $\pm 10\%$ (K级) 。
- 3、额定电压 U_N
设计电容器时所规定的电压值。
对采用GB/T3984.1/2(IEC60110-1/-2)、GB/12747.1/2(IEC60831-1/-2)、GB/11024.1/2 (IEC60871-1/-2)标准的电容器，额定电压指设计电容时规定的交流电压方均根值；
对采用GB/17702 (IEC61071)标准的电容，可分为以下两种：
额定交流电压 (U_N) ：
设计电容时所采用的反复型波形的任一极性的最高运行峰值周期电压；
额定直流电压 (U_N) ：
设计电容时所采用的非反复型波形的任一极性的可连续运行的最高运行峰值电压。
- 4、有效电压 U_{rms}
连续运行的最大正弦交流电压的方均根值
- 5、纹波电压 U_r
单向电压的峰到峰的交流分量
- 6、非周期性冲击电压 U_s
由切换或系统中任何别的扰动所导致的峰值电压，此电压只允许持续比基本周期短的时间和出现有限的次数。
- 7、绝缘电压 U_i
电容元件和端子对外壳或对地电压的额定值 (方均根值) 。如果未作规定，此绝缘电压的方均根值等于额定电压除以 $\sqrt{2}$
- 8、最大电流 I_{max}
连续运行的最大电流的方均根值
- 9、最大峰值电流 I
在连续运行中瞬时发生的最大电流的幅值。其数值为：
 $I = C_N \times (dv/dt)$
- 10、最大冲击电流 I_s
由切换或系统中任何别的扰动所导致的允许峰值电流，此电流只允许出现有限的次数。

Terminologies

- 1、Rated capacitance C_N
Capacitance value for which the capacitor has been designed .
- 2、Tolerance on rated capacitance C_{tol}
The deviation of actual measured capacitance from rated capacitance, the value is following:
 $C_{tol} = (C - C_N) / C_N * 100\%$
C: Actual measured capacitance of a capacitor
 C_N :Rated capacitance of a capacitor
Tolerance on rated capacitance determines its application, its priority values are $\pm 5\%$ (J), $\pm 10\%$ (K).
- 3、Rated voltage U_N
Voltage assigned to the appliance by the manufacturer for the capacitor referenced to GB/T3984.1/2(IEC60110-1/-2), GB/12747.1/2(IEC60831-1/-2), GB/ 1024.1/2 (IEC60871-1/-2), It means the r.m.s value of a.c. voltage for which the capacitor has been designed.
For the capacitor referenced to GB/17702 (IEC61071), it is divided into the two following parts:
Rated a.c. voltage (U_N):
Maximum operating peak voltage of either polarity of a reversing type waveform for which the capacitor has been designed.
Rated d.c. voltage (U_N):
maximum operating peak voltage of either polarity but of a non -reversing type waveform for which the capacitor has been designd.
- 4、Rms voltage U_{rms}
Root mean square of manimum value of sinusoidal a.c. voltage in continuous operation.
- 5、Ripple voltage U_r
Peak-to-peak alternating component of the unidirectional voltage
- 6、Non-recurrent surge voltage U_s
Peak voltage induced by a switching or any other disturbance of the system which is allowed for a limited number of times and for durations shorter than the basic period
- 7、Insulation voltage U_i
R.M.S. value of the sine wave voltage designed for the insulation between terminals of capacitors to case or earth. If not specified, the R.M.S. value of the insulating voltage is equivalent to the rated voltage divided by $\sqrt{2}$.
- 8、Maximum current I_{max}
Maximum R.M.S. current for continuous operation
- 9、Maximum peak current I
Maximum peak current that can occur during continuous operation.
The value is following:
 $I = C_N \times (dv/dt)$
- 10、Maximum surge current I_s
Peak non-repetitive current induced by switching or any other disturbance of the system which is allowed for a limited number of times, for durations shorter than the basic period.

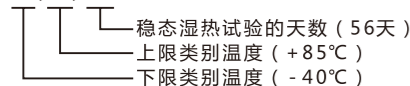
- 11、额定频率 f_N
设计电容器时所规定的频率
- 12、电容器的阻抗成为最小时的最低频率。
 $f_r = 1 / (2\pi\sqrt{L_s C_N})$
- 13、电容器的损耗因数 $tg\delta$
在规定的正弦交流电压和频率下，电容器耗散的有功功率与电容器的无功功率之比，其值为等效串联电阻与容抗的比值。
- 14、介质损耗因数 $tg\delta_0$
电容器的介质材料在额定电压和频率下的损耗常数。聚丙烯薄膜的介质损耗因数为 2×10^{-4}
- 15、等效串联电阻ESR
一个有效电阻，当它和所探讨的电容器有相等电容值的理想电容器相串联时，在规定的运行条件下，该电阻中的损耗功率将等于该电容器中耗散的有功功率。
- 16、杂散电感 L_s
一个有效电感，当它和所探讨的电容器有相等电容值的理想电容器相串联时，其谐振频率等于该电容器的谐振频率。
- 17、热阻 R_{th}
电容器阻止热量传递能力的综合参量，表明了1W热量所引起的温升大小，单位为 $^{\circ}C/W$ 或 K/W 。
- 18、电容器的损耗 P_j
电容器所消耗的有功功率，其数值为：
 $P_j = I_{rms}^2 \times ESR$
- 19、运行温度 θ_o
电容器达到热平衡状态时的外壳最热点温度。
- 20、最高运行温度 θ_{max}
电容器可以运行的最高外壳温度。
- 21、最低运行温度 θ_{min}
电容器能正常工作时的最低温度
- 22、冷却空气温度 θ_{amb}
在稳定状态条件下，在电容器组最热区域的两单元之间中途所测得的冷却空气的温度。如果仅涉及一单元，则为距电容器外壳大约0.1m和距基底三分之二高度处所测得的温度。

- 11、Rated frequency (of a capacitor) f_N
Frequency for which the capacitor has been designed .
- 12、Resonance frequency
Lowest frequency at which the impedance of the capacitor becomes minimum.
The value is following:
 $f_r = 1 / (2\pi\sqrt{L_s C_N})$
- 13、Tangent of the loss angle of a capacitor $tg\delta$
Ratio between the equivalent series resistance and the capacitive reactance of the capacitor at specified sinusoidal alternating voltage and frequency .
- 14、Dielectric dissipation factor $tg\delta_0$
Constant dissipation factor of dielectric material for all capacitors at their rated frequency. The typical loss factor of polypropylene film is 2×10^{-4}
- 15、Equivalent series resistance of a capacitor ESR
Effective resistance which, if connected in series with an ideal capacitor of capacitance value equal to that of the capacitor in question, would have a power loss equals to active power dissipated in that capacitor under specified operating conditions
- 16、Self-inductance L_s
Effective inductance which, if connected in series with an ideal capacitor of capacitance value equal to that of the capacitor in question, would have the resonance frequency equals to the resonance frequency in that capacitor.
- 17、Thermal resistance R_{th}
A heat property and a measurement of a temperature difference by which a capacitor resists a heat flow. It shows the temperature difference when a unit of heat energy flows through a capacitor in unit time. It has the units $^{\circ}C/W$ or K/W .
- 18、Capacitor losses P_j
Active power dissipated in the capacitor. The value is following:
 $P_j = I_{rms}^2 \times ESR$
- 19、Operating temperature θ_o
Temperature of the hottest point on the case of the capacitor, when in thermal equilibrium.
- 20、Maximum operating temperature θ_{max}
Highest temperature at which the capacitor may be energized.
- 21、Lowest operating temperature θ_{min}
Lowest temperature at which the capacitor may be energized
- 22、Cooling-air temperature θ_{amb}
Temperature of the cooling air measured at the hottest position in bank ,under steady-state conditions ,midway between two units . If one unit is involved ,it is the temperature measured at a point approximately 0.1 m away from the capacitor container and two -thirds of the height from its base .

23、外壳温升 $\Delta\theta_{case}$
外壳最热点温度和冷空气温度之差。

24、热点温度 θ_{hs}
电容器内部最热点处的温度。其数值为：
 $\theta_{hs} = \theta_{amb} + P_j \times R_{th}$

25、气候类别
电容器的气候类别用最低和最高允许电容器运行温度和湿热严酷度来表示，如：40/85/56



26、绝缘电阻 IR
绝缘电阻为电容器充电后所加的直流电压和流经电容器的漏电流值的比值，单位为MΩ。
绝缘电阻也常以时间常数 (τ) 来表示，其值为
绝缘电阻和电容量的乘积 (即 $\tau = IR \times C_N$)，单位为s。

27、自愈性
仅适用于金属化薄膜电容器，自愈性是指电容器发生局部电介质击穿后迅速恢复电性能的能力。
金属化薄膜电容的电极在薄膜上的金属层，此金属层是通过真空蒸发的方法将金属沉积在薄膜上，其厚度一般只有几十纳米，当介质上存在电弱点、杂质等，局部电击穿将可能发生，电击穿处的电弧放电所产生的能量迅速把击穿点邻近处的金属层蒸发，使击穿点与周围电极隔开，电容器的电气性能恢复正常。

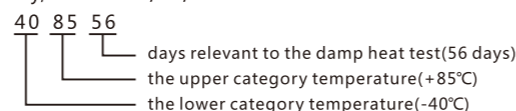
28、电容器的失效率
失效率为电容器工作到某一时刻尚未失效，在该时刻后，单位时间内发生失效的概率，单位为FIT (1FIT = 1/(10⁹小时))
如：10000只电容在给定条件下工作10000小时出现10只失效，则
 $\lambda = 10 / (10000 \times 10000) = 100FIT$

29、电容器的预期寿命
电容器的预期寿命是一个基于实践经验和理论计算的统计学数值，其值主要与运行电压和热点温度有关。一般而言，不同应用场合的电容器，其预期寿命是不同的，如：应用在直流滤波电路中的电容器，在额定电压和热点温度为70°C以内的应用条件下，其预期寿命一般可达100 000小时。
电容器预期寿命粗略评估，可以这样认为：电容器使用的电压每上升10%其寿命下降一半，热点温度每上升10°C其寿命也下降一半。

23、Container temperature rise $\Delta\theta_{case}$
Difference between the temperature of the hottest point of the container and the temperature of the cooling air.

24、Hotspot temperature θ_{hs}
Temperature at the hottest spot inside the capacitor. The value is following:
 $\theta_{hs} = \theta_{amb} + P_j \times R_{th}$

25、Climatic category
The climatic category which the capacitor belongs to is expressed with minimum, maximum operating temperature and damp heat severity, such as 40/85/56



26、Insulation resistance IR
The insulation resistance is the ratio between an applied DC voltage and the resulting leakage current. It is expressed in MΩ.
The insulation resistance is usually expressed with time constant(τ), the time constant in expressed in seconds with the following formula:
 $\tau = IR \times C_N$

27、Self-healing
It is only applicable to metallized film capacitor. Self-healing means the ability that the electrical properties of the capacitor are rapidly restored after a local breakdown of the dielectric.
The electrode of metallized film capacitor is the metal coating of the metalized film, which are vacuum-deposited directly onto the plastic film, have a thickness of only several tens nm. At weak point or impurities in the dielectric, a dielectric breakdown would occur. The energy released by the arc discharge in the breakdown channel rapidly evaporate the thin metal coating in the vicinity of the channel. The insulated region thus resulting around the former faulty area will cause the capacitor to regain its full operation ability.

28、Failure rate
Failure rate indicates the failure probability of capacitors in unit time after a certain point, while the capacitors haven't failed before the certain point. The unit is FIT (1FIT = 1/(10⁹ hour))
For example, 10000 pcs of the capacitors work at given conditions for 10000 hrs and 10 pcs of capacitors failed, so
 $\lambda = 10 / (10000 \times 10000) = 100FIT$.

29、Expected Lifetime of a capacitor
Expected Lifetime is a statistical value calculated on the basis of experience and on theoretical evaluations, it depends on the applied voltage and the hot spot temperature during operation. Generally speaking, for capacitors applied in different situation, the designed average service lives are different. For example, capacitors used in DC-Link circuits will have an expected lifetime of probable 100000 hrs at rated voltage and 70°C hot spot temperature.
A rough evaluation for the expected capacitor life-time can be indicated like this: 10% increase of the voltage, half long lifetime will lose. Also 10% increase of hotspot increase, half long lifetime will lose.

四、注意事项

1、产品使用注意事项
1) 电容器的选用取决于施加的最高电压，并受电流、频率和使用环境的影响。
2) 一般情况下，薄膜电容器封装使用耐火性阻燃材料 (如阻燃外壳、阻燃环氧等)，但是如果持续高温或火焰仍可以使电容器芯子收缩变形导致外壳破裂，甚至出现芯子融化或燃烧。

2、产品存储注意事项
1) 不宜存放在高温高湿的环境中，应尽可能在以下条件下保存：
温度： $\leq 35^\circ\text{C}$
湿度： $\leq 80\%RH$ ，不允许有冷凝
2) 不宜存放在有腐蚀性气体的环境中，如硫化物、酸、碱、盐、有机溶剂等腐蚀性物质
3) 未拆开原包装的基础上，产品的存放时间不宜超过24个月 (产品的包装或本体上的日期算起)

3、产品订购注意事项
请尽可能提供以下信息
1) 应用的设备：如变频器、焊机、感应加热设备等
2) 应用的场合：如直流滤波、IGBT吸收、谐振等
3) 容量要求及允许偏差
4) 电压要求：如工作电压、纹波电压、非周期性电压等
5) 电流要求：如最大电流，脉冲电流等
6) 频率范围：如工作频率、脉冲频率等
7) 工作环境：如环境温度、环境湿度、散热方式等
8) 安装尺寸要求：如外形尺寸、引出方式

Caution items

1. Caution items in using plastic film capacitors
1) The plastic film capacitor varies in the maximum applicable voltage depending on the applied voltage, current, frequency and operational environment.
2) Generally speaking, although flame retardant shell or flame retardation epoxy is used in the coating or encapsulating of plastic film capacitor, continuous high temperature of firing will break the coating layer or plastic case of the capacitor, and may lead to melting and firing of the capacitor element.

2. Caution items in storing plastic film capacitors
1) It shouldn't be located in particularly high temperature and high humidity, it must submit to the following conditions:
Temperature: $\leq 35^\circ\text{C}$
Humidity: $\leq 80\%RH$, no dew allowed on the capacitor.
2) Capacitors may not be stored in corrosive atmospheres, such as sulfides, acids, lye, salts, organic solvents or other corrosive substances.
3) When unchanging primal package, it shouldn't be stored more than 24 months (from the date marked on the capacitor's body or the label glued to the package)

3. Caution items in ordering plastic film capacitors
Please provide following information as possible as you can
1) Applications: such as transducer, welding machine, induction heating machine
2) Application situation: such as DC-Link, IGBT snubber, resonance, etc.
3) Rated capacitance and tolerance
4) Voltage: such as working voltage, ripple voltage, non-recurrent surge voltage, etc.
5) Current: such as maximum current, pulse current, etc.
6) Frequency: such as working frequency, pulse frequency, etc.
7) Working environment: such as environment temperature, environment humidity, cooling mode, etc.
8) Installation dimensions: such as external dimensions, terminal types, etc.



工业电容器事业部

INDUSTRIAL APPLICATION CAPACITOR DEPARTMENT

主要产品有DC-Link电容、滤波电容、缓冲吸收电容、谐振电容、耦合隔直电容、交流滤波电容、补偿电容等。在风电、光伏、焊机、SVG/SVC、电力软启、EV/HEV、机车、变频器、开关电源、电镀电源、UPS、感应加热设备等各类电力电子设备中广泛应用。

Mainly produce DC-Link capacitor, filter capacitor, snubber capacitor, coupling capacitor, AC filter capacitor, compensating capacitor and so on. It's widely used in wind power, solar power, welding machine, SVG/SVC, power soft start, EV/HEV, locomotive, frequency convertor, switching power supply, plating power supply, UPS, induction heating machine and other kinds of electronic equipments.

DC-Link直流系列

- | | | | | | |
|-----------------|---------------|--|-----------------|---------------|---|
| P ₀₁ | DKMJ-C | DC-Link圆形铝壳系列
DC-Link Cylindrical Aluminum Can Series | P ₀₄ | DKMJ-P | PCB DC-Link塑壳系列
DC-Link Plastic Box Series for PCB |
| P ₀₇ | DKMJ-X | 塑壳干式系列
DC-Link Plastic Dry Series | P ₀₉ | DKMJ-X | EV/HEV用电容系列
DC-Link Plastic Dry Series for EV/HEV |
| P ₁₀ | DKMJ-P | EV/HEV用电容系列
DC-Link Plastic Dry Series for EV/HEV | P ₁₁ | DJMJ-B | DC-Link方形金属壳油式系列
DC-Link Metal Box Oil-type Series |
| P ₁₂ | DKMJ-B | DC-Link方形金属壳干式系列
DC-Link Metal Box Dry-type Series | | | |

缓冲吸收系列

- | | | | | | |
|-----------------|----------------|--|-----------------|----------------|---|
| P ₁₄ | SKMJ-Y | GTO缓冲吸收轴向系列
GTO Snubber Axial Series | P ₁₉ | SKMJ-PT | IGBT缓冲吸收塑壳系列
IGBT Snubber Plastic Box Series |
| P ₁₅ | SKMJ-PN | IGBT缓冲吸收PCB系列
IGBT Snubber PCB Series | P ₁₇ | SKMJ-J | IGBT缓冲吸收轴向系列
IGBT Snubber Axial Series |

交流滤波系列

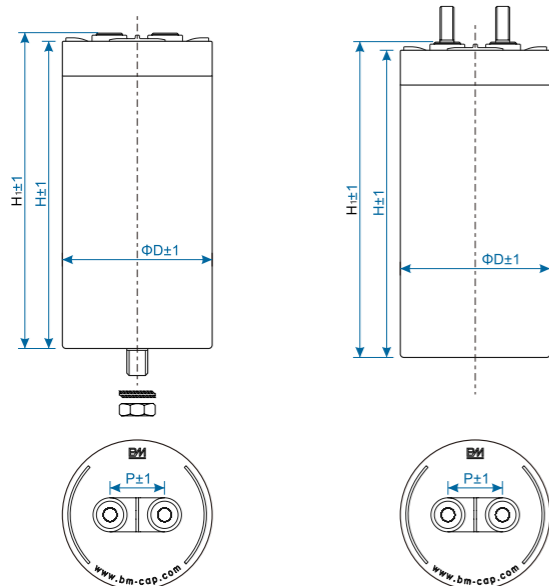
- | | | | | | |
|-----------------|---------------|---|-----------------|---------------|---|
| P ₂₂ | AKMJ-C | 三相交流滤波圆形铝壳干式系列
Three phase AC Filter Cylindrical Aluminum Can Dry-type Series | P ₂₃ | AJMJ-C | 单相交流滤波圆形铝壳油式系列
Single phase AC Filter Cylindrical Aluminum Can Oil-type Series |
| P ₂₄ | AJMJ-C | 三相交流滤波圆形铝壳油式系列
Three phase AC Filter Cylindrical Aluminum Can Oil-type Series | P ₂₅ | AKMJ-P | PCB交流滤波方形塑壳系列
AC Filter Plastic Box Series for PCB |
| P ₂₈ | AKMJ-B | 交流滤波金属壳干式系列
AC Filter Metal Box Dry-type Series | P ₂₉ | 无功补偿、交流滤波 | 圆形铝壳系列
PFC and AC Filter-Cylindrical Aluminum Can Series |
| P ₂₁ | AKMJ-C | 单相交流滤波圆形铝壳干式系列
Single phase AC Filter Cylindrical Aluminum Can Dry-type Series | | | |

感应加热用

- | | | | | | |
|-----------------|---------------|--|-----------------|---------------|---|
| P ₃₁ | RKMJ-P | 高压谐振塑壳系列
Resonance Plastic Box Series for Induction Heating | P ₃₂ | RKMJ-Y | 高压谐振轴向系列
Resonance Axial Series for Induction Heating |
| P ₃₄ | RKMJ-P | 高压谐振模块系列
Resonance Module Series for Induction Heating | P ₃₇ | RKMJ-P | 高压谐振外置型系列
Resonance External Type Series for Induction Heating |
| P ₃₈ | DKMJ-X | 直流滤波模块系列
DC Filter Module Series for Induction Heating | P ₄₀ | DKMJ-P | 直流滤波塑壳系列
DC Filter Plastic Box Series for Induction Heating |

引用标准 Referenced standard	GB/T17702, IEC61071
气候类别 Climatic category	40/85/21
工作温度范围 Operating temperature range	-40~85°C
存储温度范围 Storage temperature range	-40~85°C
最高使用海拔 Max. altitude	2000m
最大电极扭距 Max. torque of terminals	M6 5Nm M8 6Nm
最大安装扭距 Max. torque of installation	10Nm
预期寿命 Lifetime expectancy	100 000h (Un, Θns≤70°C)
失效率 Failure rate	50FIT

电压范围 Voltage range	500~4000V.DC
容量范围 Capacitance range	20~5600μF
容量允许偏差 Capacitance tolerance	±5% (J) / ±10% (K)
介质损耗角正切值 tgδo	2×10 ⁻⁴
耐电压 withstanding voltage	极壳 Between terminal and case UN≤1500VDC 3000V.AC(10s,20±5°C,50Hz) UN≥1500VDC 2Ui+1000V.AC(10s,20±5°C,50Hz)
绝缘电阻 Insulation resistance	极间 Between terminals 1.5Un(10s,20±5°C) IR×Cn≥5000S(60s,20±5°C,100V.DC)
过电压 Over voltage	1.1Un 30% of on-load-dur 1.15Un 30min/day 1.2Un 5min/day 1.3Un 1min/day



产品可通过THB1000h双85测试
THB series are available upon request

Un	Cn (μF)	Dimension(mm)				ESR (typ) 1KHz (mΩ)	Ls (nH)	Ipeak (A)	Rth (K/W)	Irms @45°C 10KHz (A)
		ΦD	H	H1	P					
600 V.DC	480	76	95	100	32	1.5	45	1560	5.4	70
	650	76	120	125	32	1.9	50	1560	4.9	70
	780	76	140	145	32	2.2	55	1560	4.6	65
	820	76	155	160	32	1.5	40	3060	4.3	70
	950	76	175	180	32	1.5	45	3090	4.0	70
	650	86	95	100	32	1.2	45	2120	5.1	70
	880	86	120	125	32	1.5	50	2110	4.8	70
	1000	86	135	140	32	1.8	55	2070	4.6	70
	1100	86	140	145	32	1.7	55	2180	4.5	70
	1100	86	155	160	32	1.4	40	4110	4.4	70
	1300	86	175	180	32	1.4	45	4230	4.1	70
	2000	86	255	260	32	1.1	55	6510	3.1	70
	1200	116	95	100	50	0.7	45	3900	5.4	80
	1600	116	120	125	50	1.0	50	3830	4.9	80
	2000	116	140	145	50	1.1	55	3960	4.4	80
	2100	116	160	165	50	0.8	40	7840	3.0	100
	2400	116	175	180	50	0.9	45	7810	3.7	100
	3000	116	230	235	50	0.8	50	11200	2.5	100
5600	136	295	300	50	0.8	60	15940	2.0	100	
800 V.DC	200	76	72	77	32	4	40	1000	5.7	40
	330	76	117	122	32	2.4	45	3960	5.0	60
	420	76	145	150	32	1.1	40	4200	4.5	60

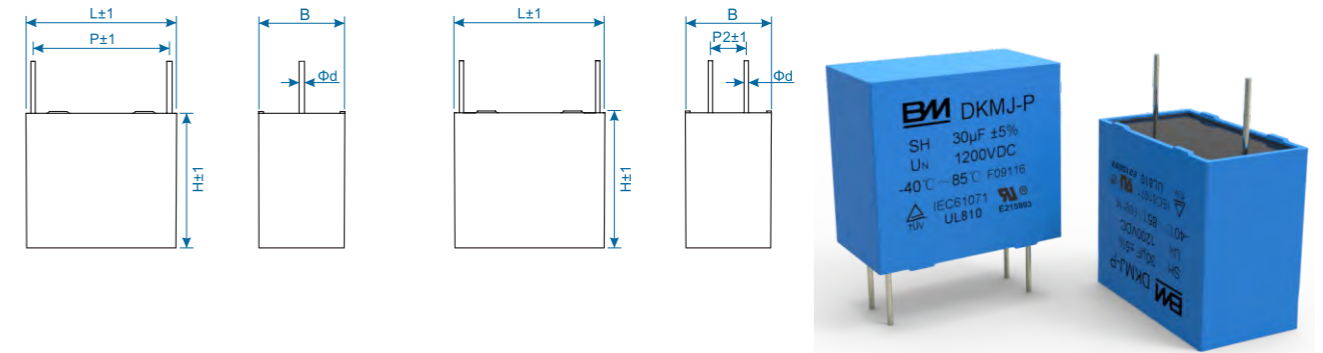
Un	Cn (μF)	Dimension(mm)				ESR (typ) 1KHz (mΩ)	Ls (nH)	Ipeak (A)	Rth (K/W)	Irms @45°C 10KHz (A)	
		ΦD	H	H1	P						
800 V.DC	470	86	122	127	32	2.1	50	4700	4.9	60	
	490	86	125	130	32	2	40	4900	4.9	70	
	500	86	122	127	32	3.5	75	5000	4.9	50	
	500	116	80	85	50	3.0	40	4500	5.7	70	
	550	86	122	127	32	3.5	75	3850	4.9	70	
	650	86	145	150	32	1.6	40	5200	4.5	70	
	750	86	175	180	32	1.6	50	6750	4.1	70	
	1000	96	175	180	32	1.5	50	8000	3.3	80	
	1000	116	125	130	50	1.2	60	4000	4.7	80	
	1100	86	225	230	32	1.2	50	7700	3.4	70	
	1100	116	145	150	50	1.2	40	6600	4.3	90	
	1500	116	175	180	50	1.0	50	9000	3.7	100	
	2000	116	230	235	50	0.8	60	18000	2.5	100	
	2750	136	230	235	50	0.7	60	19250	2.4	100	
	3500	136	335	340	50	0.8	60	12250	1.8	100	
	900 V.DC	200	76	72	77	32	4	40	1000	5.7	40
		330	76	117	122	32	2.4	45	3960	5.0	60
		420	76	147	152	32	1.4	40	4200	4.5	60
470		86	122	127	32	2	50	4700	4.9	60	
490		86	125	130	32	1.95	40	4900	4.9	70	
500		86	122	127	32	3.5	60	5000	4.9	50	
500		116	80	85	50	3.0	40	4500	5.7	70	
550		86	122	127	32	3.5	60	3850	4.9	70	
650		86	145	150	32	1.6	40	5200	4.5	70	
750		86	175	180	32	1.6	50	6750	4.1	70	
1000		96	175	180	32	1.5	50	8000	3.3	80	
1000		116	125	130	50	1.2	60	4000	4.7	80	
1100		86	255	260	32	1.2	50	7700	3.4	70	
1100		116	150	155	50	1.2	40	6600	4.2	90	
1500		116	175	180	50	1.0	50	9000	3.7	100	
2000		116	230	235	50	0.8	60	18000	2.5	100	
2750		136	230	235	50	0.7	60	19250	2.4	100	
3500		136	335	340	50	0.4	60	12250	1.8	100	
1100 V.DC	250	76	120	125	32	4.7	60	1500	4.9	50	
	330	86	120	125	32	3.8	60	1980	4.8	60	
	360	86	120	125	32	3.8	60	2160	4.8	50	
	400	86	145	150	32	1.5	45	2000	4.5	70	
	420	86	136	140	32	2.5	60	1680	4.6	65	
	420	86	155	160	32	1.8	50	3780	4.4	70	
	500	86	175	180	32	1.8	50	3000	4.1	70	
	650	116	125	130	50	1.9	60	3250	4.7	60	
	680	86	225	230	32	1.8	60	4080	3.4	60	
	730	116	150	155	50	1.1	45	2920	4.2	80	
	900	136	125	130	50	1.4	60	4050	3.0	60	
	920	116	180	185	50	1.4	60	5520	5.7	80	
	1250	116	230	235	50	1.1	60	7250	2.3	100	
	1700	136	230	235	50	0.9	60	7650	2.4	100	
	2550	136	335	340	50	0.7	60	10125	1.8	120	
	1200 V.DC	220	76	120	125	32	4.9	60	1980	4.9	50
		250	86	120	125	32	4.5	60	2250	4.8	50
		270	86	120	125	32	4.0	60	2430	4.8	50
330		86	155	160	32	3.5	60	2640	4.7	60	
330		116	145	150	50	2.4	80	1980	4.3	50	
420		86	175	180	32	1.8	50	2520	4.1	70	
470		86	225	230	32	2.5	60	2820	3.4	80	
500		116	130	135	50	1.6	50	3000	4.6	90	
550		116	130	135	50	2.5	30	2475	4.6	100	
680		116	180	185	50	1.3	50	5440	3.6	80	
1000		136	175	180	50	1.1	50	8000	2.7	100	
1000		116	230	235	50	1.3	60	7000	2.5	85	
1200		136	230	235	50	1.2	60	7800	2.4	100	
1800		136	335	340	50	0.9	60	9900	1.8	120	
1500 V.DC		90	76	95	100	32	5.3	45	1200	5.4	50
		120	76	120	125	32	8	55	1200	4.9	50
		120	86	95	100	32	4	45	1200	5.1	60
		150	76	140	145	32	3.2	45	1200	4.5	70
170	76	175	180	32	3.8	45	2300	4.0	65		

常用规格 Dimension										
Un	Cn (μF)	Dimension(mm)				ESR (typ) 1KHz (mΩ)	Ls (nH)	Ipeak (A)	Rth (K/W)	Irms @45°C 10KHz (A)
		ΦD	H	H1	P					
1500 V.DC	250	86	175	180	32	2.2	45	3300	4.1	70
	320	116	120	125	50	3.0	50	4280	4.9	70
	420	116	175	180	50	2.1	45	6549	3.7	100
	470	116	175	180	50	1.7	45	5640	3.7	100
	600	116	230	235	50	1.1	50	9000	2.5	100
	850	136	230	235	50	1.1	60	8500	1.8	120
2000 V.DC	75	76	120	125	32	12.8	60	1200	4.9	40
	100	86	120	125	32	10	60	1600	4.8	50
	150	86	175	180	32	3.1	50	2400	4.1	60
	190	116	125	130	50	5	60	3040	4.7	60
	200	86	225	230	32	4.8	60	3200	3.4	60
	270	116	175	180	50	2.4	50	4320	3.7	70
	280	116	175	180	50	2.3	50	4480	3.7	70
	370	116	225	230	50	2.2	60	5920	2.6	70
	400	136	175	180	50	1.6	50	6400	2.7	80
	600	136	260	265	50	2.3	50	9600	2.2	100
	800	136	335	340	50	1.2	60	12800	1.8	100
2500 V.DC	66	86	140	145	32	4.0	60	1450	4.5	50
	130	116	140	145	50	2.6	60	3900	4.4	60
	150	116	175	180	50	1.2	50	4500	3.7	100
	210	116	225	230	50	1.4	60	6300	2.6	100
	210	136	180	185	50	1.1	50	6300	2.7	100
	290	136	225	230	50	1.3	60	8700	2.4	100
3000 V.DC	350	136	265	270	50	1.5	60	9800	2.2	100
	42	86	140	145	32	4.7	60	1470	4.5	50
	68	86	225	230	32	2.3	60	2380	3.4	70
	66	116	120	125	50	2.6	60	2310	4.9	60
	82	116	180	185	50	5.9	60	2870	3.6	60
	100	116	180	185	50	4.3	60	3500	3.6	50
3600 V.DC	120	136	180	185	50	6.7	50	4200	2.7	50
	150	116	230	235	50	5.6	60	5250	2.4	40
	180	136	230	235	50	5.6	60	6300	2.4	60
	42	116	130	135	50	3.7	60	2520	4.6	60
	60	136	130	135	50	2.7	60	3600	3.0	70
	88	116	225	230	50	6.6	60	5280	2.6	100
4000 V.DC	110	116	265	270	50	4.5	60	6600	1.7	100
	125	136	230	235	50	4.7	60	7500	2.4	100
	150	136	265	270	50	2.5	60	9000	2.2	100
	24	86	140	145	32	3.9	60	1680	4.5	40
3000 V.DC	38	86	225	230	32	3	60	2660	3.4	80
	70	116	230	235	50	3.8	60	4900	2.5	100
	100	136	230	235	50	4.5	60	7000	2.4	100
	130	136	265	270	50	3.8	60	9100	2.2	100

引用标准 Referenced standard GB/T17702, IEC61071
 气候类别 Climatic category 40/85/56
 工作温度范围 Operating temperature range -40~85°C
 最高使用海拔 Max.altitude 2000m
 预期寿命 Lifetime expectancy 100 000h (Un, θns≤70°C)
 失效率 Failure rate 50FIT

电压范围 Voltage range 400~1400V.DC
 容量范围 Capacitance range 5~200μF
 容量允许偏差 Capacitance tolerance ±5% (J) / ±10% (K)
 介质损耗角正切值 tgδo ≤2×10⁻⁴
 耐电压 withstanding voltage 1.5Un (10s, 20±5°C)
 绝缘电阻 Insulation resistance IR×Cn≥10 000S(60s, 20±5°C, 100V.DC)
 过电压 Over voltage 1.1Un 30% of on-load-dur
 1.15Un 30min/day
 1.2Un 5min/day
 1.3Un 1min/day

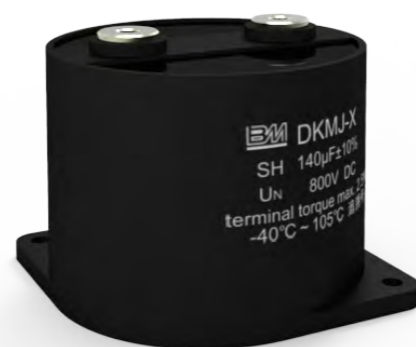
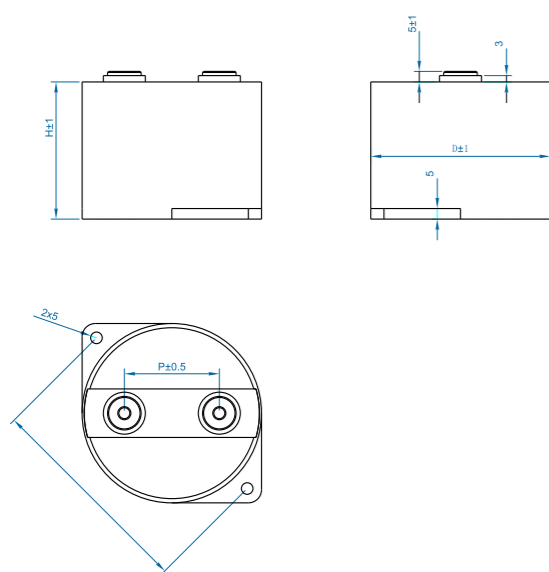
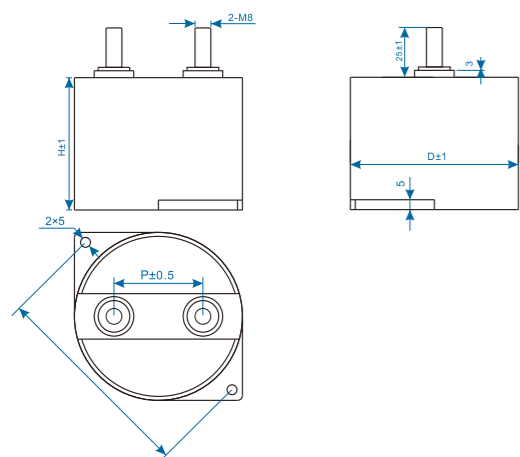
产品可通过THB1000h双85测试
 THB series are available upon request



常用规格 Dimension											
Un	Cn (μF)	Dimension(mm)						ESR (typ) 10KHz (mΩ)	dv/dt (V/μs)	IRMS (A)	
		L	B	H	P	P2	d				
70°C: 500Vdc	1	32	7	16	27.5	-	0.8	52	65	1	
	2	32	8.5	18	27.5	-	0.8	34	65	1.7	
	3	32	11	21	27.5	-	0.8	22	65	2.5	
	4	32	12	22	27.5	-	0.8	20	65	3.3	
	5	32	13	25	27.5	-	0.8	16	65	4	
	6	32	15	24.5	27.5	-	0.8	13	65	5	
	7	32	16	25	27.5	-	0.8	11	65	6	
	8	32	18	28	27.5	-	0.8	10	65	6.6	
	9	32	18	28	27.5	-	0.8	9	65	7.5	
	10	32	18	30	27.5	-	0.8	8	65	8.5	
	12	32	21	31	27.5	-	1.0	8	65	10	
	14	32	20.5	37	27.5	-	1.0	8	65	11.5	
	15	32	22	38	27.5	-	1.2	7	65	12	
	18	32	22	45	27.5	-	1.2	6	65	13	
	20	32	22	45	27.5	-	1.2	6	65	14	
	10	42.5	18	33	37.5	10.2	1.0	14	30	6	
	12	42.5	18	33	37.5	10.2	1.0	11	30	6.6	
	15	42.5	18	33	37.5	10.2	1.0	9	30	8.2	
	85°C: 450Vdc	20	42.5	20	40	37.5	10.2	1.0	7	30	11
		25	42.5	28	38	37.5	10.2	1.0	6.5	30	12
30		42.5	30	44	37.5	10.2	1.0	5.5	30	13	
35		42.5	28	45	37.5	10.2	1.0	4.5	30	16	
40		42.5	30	45	37.5	10.2	1.0	4	30	17	
25		57.5	22	37	52.5	10.2	1.2	9	15	6.8	
30		57.5	30	45	52.5	10.2	1.2	8.5	15	19.4	
35		57.5	30	45	52.5	10.2	1.2	8	15	11	
40		57.5	30	45	52.5	10.2	1.2	7.5	15	12	
45		57.5	30	45	52.5	10.2	1.2	7	15	12.5	
50		57.5	30	45	52.5	10.2	1.2	6	15	14	
55		57.5	30	45	52.5	10.2	1.2	5.5	15	15	
60	57.5	30	45	52.5	10.2	1.2	5	15	15.5		
70	57.5	35	50	52.5	20.3	1.2	4.5	15	18		
75	57.5	35	50	52.5	20.3	1.2	4.2	15	19		
80	57.5	35	60	52.5	20.3	1.2	4	15	20		
90	57.5	35	60	52.5	20.3	1.2	3	15	22		
100	57.5	35	60	52.5	20.3	1.2	2.5	15	23		
120	57.5	45	65	52.5	20.3	1.2	2.2	15	24		

引用标准 Referenced standard GB/T17702, IEC61071
 气候类别 Climatic category
 工作温度范围 Operating temperature range -40~85°C
 存储温度范围 Storage temperature range -40~85°C
 最高使用海拔 Max. altitude 2000m
 最大电极扭矩 Max. torque of terminals
 M5 2.5Nm
 M8 6Nm
 绝缘电阻 Insulation resistance IR×C_n≥5000S(60s, 20±5°C, 100V.DC)
 预期寿命 Lifetime expectancy 100 000h(U_n, θ_{hs} 70°C)
 失效率 Failure rate 50FIT

电压范围 Voltage range 600~1500V.DC
 容量范围 Capacitance range 35~1000μF
 容量允许偏差 Capacitance tolerance ±5% (J) / ±10% (K)
 损耗角正切值 tgδ ≤20×10⁻⁴ (100Hz, 1V, 20±5°C)
 耐电压 withstanding voltage
 极壳 Between terminal and case UN≤1500VDC 3000V.AC(60s, 20±5°C, 50Hz)
 UN≥1500VDC 2Ui+1000V.AC(10s, 20±5°C, 50Hz)
 极间 Between terminals 1.5Un(60s, 20±5°C)
 过电压 Over voltage
 1.1Un 0% of on-load-dur
 1.15Un 30min/day
 1.2Un 5min/day
 1.3Un 1min/day
 1.5Un 100ms each time



常用规格 Dimension

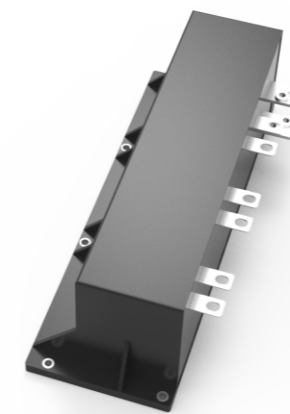
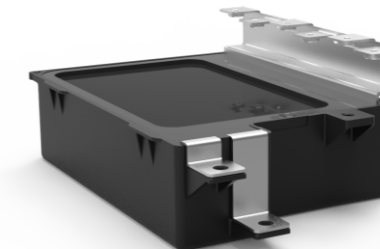
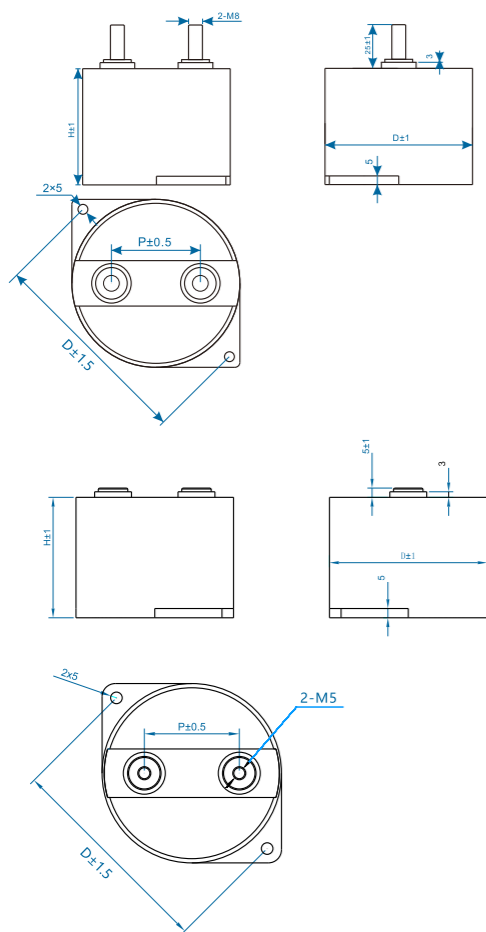
U _n	C _n (μF)	Dimension(mm)			dv/dt (V/μs)	L _s (nH)	ESR(typ) @1KHz (mΩ)	R _{th} (K/W)	I _{rms} @45°C 10KHz (A)
		ΦD	H	P					
600 V.DC	260	85	51	45	8.0	35	0.92	5.29	65
	380	85	65	45	6.0	40	1.02	4.96	65
	380	85	65	45	6.0	40	1.06	5.18	65
	600	115	64	60	6.5	40	1.15	3.37	75
800 V.DC	150	85	45	45	15	35	1.05	5.29	60
	220	85	65	45	10	40	1.11	4.96	60
	220	85	65	45	10	40	1.15	5.18	60
900 V.DC	350	115	65	60	10.5	40	1.3	3.37	70
	150	85	51	45	15	35	1.05	5.29	60
	220	85	65	45	10	40	1.11	4.96	60
	220	85	65	45	10	40	1.15	5.18	60
1100 V.DC	350	115	64	60	10.5	40	1.35	3.37	70
	100	85	51	45	19	35	1.31	5.29	50
	140	85	65	45	13	40	1.50	4.96	50
	140	85	65	45	13	40	1.55	5.18	50
	190	85	76	45	10	45	1.72	4.58	50
	150	85	76	65	12	45	1.54	4.51	55
1300 V.DC	230	115	65	60	14	40	1.44	3.37	65
	70	85	51	45	20	35	1.42	5.29	50
	100	85	65	45	15	40	1.79	4.96	45
	100	85	65	45	15	40	1.86	5.18	45
1400 V.DC	130	85	76	45	13	45	1.92	4.58	45
	160	115	60	60	15	40	1.62	3.37	60
	56	85	51	45	25	35	1.55	5.29	50
	86	85	65	45	20	40	1.80	4.96	45
1500 V.DC	86	85	65	45	20	40	1.85	5.18	45
	110	85	76	45	15	45	1.94	4.58	45
	130	115	60	60	18	40	1.73	3.37	60
	50	85	51	45	25	35	1.66	5.29	45
	76	85	65	45	20	40	1.92	4.96	45
1500 V.DC	76	85	65	45	20	40	1.97	5.18	45
	95	85	76	45	18	45	2.08	4.58	45
	110	115	64	60	20	40	1.82	3.37	60

引用标准 Referenced standard GB/T17702, IEC61071
 气候类别 Climatic category 40/105/56
 工作温度范围 Operating temperature range -40~105°C
 存储温度范围 Storage temperature range -40~105°C
 最高使用海拔 Max. altitude 2000m
 最大电极扭矩 Max. torque of terminals
 M5 2.5Nm
 M8 6Nm
 绝缘电阻 Insulation resistance IR×Cn≥5000S(60s,20±5°C,100V.DC)
 预期寿命 Lifetime expectancy 100 000h(U_n, θ_{hs}≤70°C)
 失效率 Failure rate 50FIT

电压范围 Voltage range 600~1500V.DC
 容量范围 Capacitance range 35~1000μF
 容量允许偏差 Capacitance tolerance ±5% (J) / ±10% (K)
 损耗角正切值 tgδ ≤20×10⁻⁴ (100Hz, 1V, 20±5°C)
 耐电压 withstanding voltage
 极壳 Between terminal and case UN≤1500VDC 3000V.AC(60s,20±5°C,50Hz)
 UN≥1500VDC 2Ui+1000V.AC(10s,20±5°C,50Hz)
 极间 Between terminals 1.5Un(60s,20±5°C)
 过电压 Over voltage
 1.1Un 0% of on-load-dur
 1.15Un 30min/day
 1.2Un 5min/day
 1.3Un 1min/day
 1.5Un 100ms each time

引用标准 Referenced standard GB/T17702, IEC61071
 气候类别 Climatic category 40/105/56
 工作温度范围 Operating temperature range -40~105°C (θ_{hotspot}≤105°C)
 存储温度范围 Storage temperature range -40~105°C
 预期寿命 Lifetime expectancy 100 000h(U_n, θ_{hs}≤70°C)

电压范围 Voltage range 250V.DC~1200V.DC
 容量范围 Capacitance range 10μF~2000μF
 容量允许偏差 Capacitance tolerance ±5% (J)
 失效率 Failure rate 50FIT



常用规格 Dimension

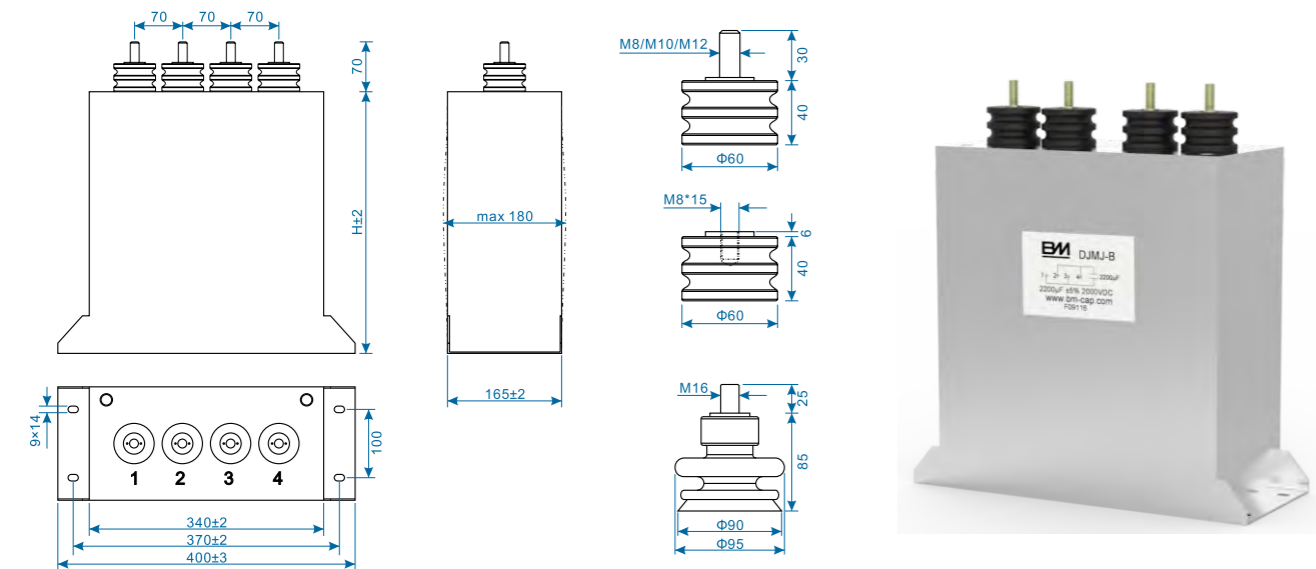
Un	Cn (μF)	Dimension(mm)			dv/dt (V/μs)	Ls (nH)	ESR(typ) @1KHz (mΩ)	Rth (K/W)	I _{rms} @45°C 10KHz (A)
		ΦD	H	P					
450 V.DC	170	85	41	45	12	25	0.7	6.8	90
	260	85	51	45	9	32	0.9	5.3	95
	380	85	65	45	5.5	40	1.0	5.0	95
	380	85	65	45	5.5	40	1.0	5.2	90
600 V.DC	600	115	64	60	6.5	40	1.0	3.4	95
	100	85	41	45	20	25	0.8	6.8	55
	150	85	51	45	14	32	1	5.3	58
	220	85	65	45	9.5	40	1.1	5.0	58
800 V.DC	220	85	65	45	9	40	1.1	5.2	55
	350	115	64	60	9	40	1.0	3.4	70
	66	85	41	45	28	25	0.8	6.8	60
	100	85	51	45	19	32	1.1	5.3	55
900 V.DC	140	85	65	45	13	40	1.3	5.0	50
	140	85	65	45	13	40	1.3	5.2	50
	230	115	64	60	14	40	1.1	3.4	70
	47	85	41	45	30	25	1.0	6.8	50
900 V.DC	70	85	51	45	20	32	1.2	5.3	55
	100	85	65	45	15	40	1.3	5	55
	100	85	65	45	15	40	1.3	5.2	50
	160	115	64	60	15	40	1.2	3.4	70

订制品 Customized Products

可以根据用户需求, 进行其它规格尺寸的产品设计生产; 请告知您的需求, 我们将竭诚服务。

引用标准 Referenced standard	GB/T17702, IEC61071, IEC61881
工作温度范围 Operating temperature range	-40 ~ 60°C
外壳材质 Shell material	不锈钢/铝 Stainless steel/Aluminum
填充料 Filler	硅油/环氧树脂 Silicone oil/Epoxy resin
预期寿命 Lifetime expectancy	100 000h

电压范围 Voltage range	600 ~ 6000V.DC
容量范围 Capacitance range	100 ~ 15000μF
容量允许偏差 Capacitance tolerance	±5% (J) / ±10% (K)
损耗角正切值 tgδ	≤ 20×10 ⁻⁴
耐电压 withstanding voltage	
极壳 Between terminal and case	UN≤1500VDC 3000V.AC(10s,20±5°C,50Hz)
极间 Between terminals	UN≥1500VDC 2Ui+1000V.AC(10s,20±5°C,50Hz)
	1.5Un(10s,20±5°C)
电感 ESL	< 100nH



U _n (V.DC)	C _n (μF)	H(mm)					
		250	340	435	530	620	715
800	7000	9500	12800	15600	—	—	
1000	6000	8500	12000	15000	—	—	
1200	4500	6650	8800	11000	13100	15300	
1600	2500	3600	4900	6150	7250	8450	
2000	1600	2320	3080	3840	4560	5320	
2400	1100	1570	2070	2560	3040	3530	
2800	810	1155	1520	1890	2235	2600	
3000	700	1000	1315	1630	1930	2250	
3200	610	870	1145	1420	1680	1960	
4800	275	390	515	640	760	880	
5200	235	335	440	545	650	755	
6000	175	250	330	405	480	560	

引用标准 Referenced standard	GB/T17702, IEC61071
气候类别 Climatic category	40/85/21
工作温度范围 Operating temperature range	-40 ~ 85°C
存储温度范围 Storage temperature range	-40 ~ 85°C
最高使用海拔 Max. altitude	2000m
最大电极扭矩 Max. torque of terminals	
	M6 5Nm
	M8 6Nm
预期寿命 Lifetime expectancy	100 000h(U _n , θ _{hs} ≤70°C)
失效率 Failure rate	50FIT

电压范围 Voltage range	600 ~ 6000V.DC
容量范围 Capacitance range	400 ~ 10000μF
容量允许偏差 Capacitance tolerance	±5% (J) / ±10% (K)
损耗角正切值 tgδ	≤ 20×10 ⁻⁴ (100Hz,1V,20±5°C)
耐电压 withstanding voltage	
极壳 Between terminal and case	UN≤1500VDC 3000V.AC(10s,20±5°C,50Hz)
极间 Between terminals	UN≥1500VDC 2Ui+1000V.AC(10s,20±5°C,50Hz)
	1.5Un(10s,20±5°C)
绝缘电阻 Insulation resistance	IR×C _n ≥5000S(60s,20±5°C,100V.DC)
过电压 Over voltage	
	1.1Un 30% of on-load-dur
	1.15Un 30min/day
	1.2Un 5min/day
	1.3Un 1min/day
	1.5Un 100ms each time

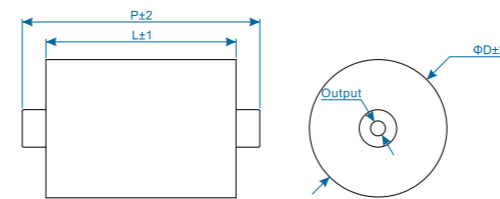


U _n (V.DC)	C _n (μF)	Dimension(mm)						L _s (nH)	R _{th} (K/W)	ESR (typ) @1KHz (mΩ)	I _{rms} @45°C 10KHz (A)
		L	B	H	C	B2	Φd				
800	3000	285	120	160	80	120	7.0	<120	0.98	1.37	110
	4500	285	120	225	100	80	7.0	<120	0.74	1.08	140
	6000	285	120	290	120	80	7.0	<120	0.59	0.93	160
900	1200	230	143	115	100	—	—	<100	1.16	1.3	85
	2400	230	143	205	100	—	—	<100	0.97	1.1	170
	3000	230	143	245	100	—	—	<100	0.76	1.0	210
1000	1700	285	120	160	80	80	7.0	<120	0.98	1.70	100
	2600	285	120	225	100	80	7.0	<120	0.74	1.28	130
	3500	285	120	225	100	80	7.0	<120	0.59	1.08	150
	720	230	88/91	110	80	—	—	<100	1.43	1.2	80
	1100	230	88/91	155	80	—	—	<100	1.15	1.0	100
1200	180	230	88/91	240	80	—	—	<100	0.97	0.9	150
	1200	285	120	160	80	80	7.0	<120	0.98	1.92	90
	1800	285	120	225	100	80	7.0	<120	0.74	1.44	120
	500	230	88/91	80	60	—	—	<80	1.8	1.8	60
	700	210	88/91	120	60	—	—	<80	1.5	1.5	80
1400	700	226	88/91	110	80	—	—	<80	1.45	1.45	80
	700	230	88/91	110	80	—	—	<80	1.5	1.5	80
	1100	230	88/91	205	80	—	—	<80	1.2	1.2	100
	370	230	88/91	110	80	—	—	<80	1.43	1.6	40
1600	550	230	88/91	155	80	—	—	<80	1.2	1.2	60
	850	230	88/91	230	80	—	—	<80	1.07	1.0	90
	680	285	120	160	80	80	7.0	<120	0.98	2.37	80
1800	1000	285	120	225	100	80	7.0	<120	0.74	1.77	110
	1350	285	120	290	120	80	7.0	<120	0.59	1.44	130
	550	285	120	160	80	80	7.0	<120	0.98	2.56	80
1800	800	285	120	225	100	80	7.0	<120	0.74	1.92	100
	1100	285	120	290	120	80	7.0	<120	0.59	1.53	130

常用规格 Dimension											
Un (V.DC)	Cn (μF)	Dimension(mm)						Ls (nH)	Rth (K/W)	ESR(typ) @1KHz (mΩ)	Irms @45°C 10KHZ (A)
		L	B	H	C	B2	Φd				
2000	1300	285	230	225	100	150	9.0	<120	0.54	2.57	100
	1700	285	230	290	120	150	9.0	<120	0.44	2.20	120
	2200	285	230	355	150	150	9.0	<120	0.37	1.93	140
	220	230	88/91	115	80	—	—	<80	1.43	3.2	36
	330	230	88/91	155	80	—	—	<80	1.15	1.8	48
	440	230	88/91	220	80	—	—	<80	1.03	3.9	62
2400	900	285	230	225	100	150	9.0	<120	0.54	2.89	100
	1200	285	230	290	120	150	9.0	<120	0.44	2.42	120
	1500	285	230	355	150	150	9.0	<120	0.37	2.13	140
	150	230	88/91	115	80	—	—	<80	1.43	3.9	35
	230	230	88/91	155	80	—	—	<80	1.20	2.7	47
	300	230	88/91	220	80	—	—	<80	1.01	2.2	61
2800	660	285	230	225	100	150	9.0	<120	0.54	3.21	90
	880	285	230	290	120	150	9.0	<120	0.44	2.66	110
	1100	285	230	355	150	150	9.0	<120	0.37	2.32	130
	110	230	88/91	115	80	—	—	<80	1.43	4.5	33
	160	230	88/91	155	80	—	—	<80	1.20	3.2	45
	220	230	88/91	220	80	—	—	<80	1.01	2.7	60

引用标准 Referenced standard GB/T17702, IEC61071
 气候类别 Climatic category 40/85/21
 工作温度范围 Operating temperature range -40~ 85°C
 最高使用海拔 Max.altitude 2000m
 预期寿命 Lifetime expectancy 100 000h(Un, θhs ≤70°C)
 失效率 Failure rate 50FIT

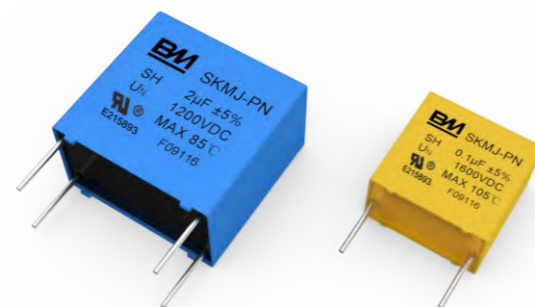
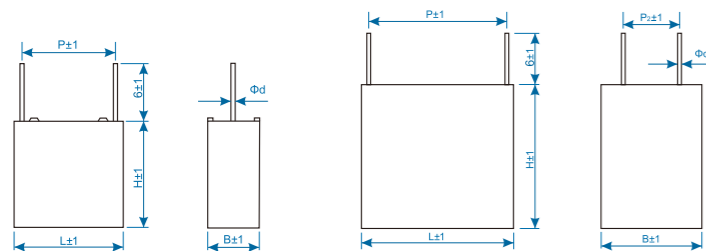
电压范围 Voltage range 4 000~20 000V.DC
 容量范围 Capacitance range 0.068~3μF
 容量允许偏差 Capacitance tolerance ±5% (J) /±10% (K)
 损耗角正切值 tgδ 6×10⁻⁴
 耐电压 withstanding voltage 1.5Un(10s,20±5°C)
 绝缘电阻 Insulation resistance
 Cn ≤ 0.33μF ≥100 000MΩ(60s,20±5°C,100V.DC)
 Cn > 0.33μF IR×Cn≥30 000S(60s,20±5°C,100V.DC)
 过电压 Over voltage
 1.1Un 30% of on-load-dur
 1.15Un 30min/day
 1.2Un 5min/day
 1.3Un 1min/day



常用规格 Dimension									
Un	Cn (μF)	Dimension(mm)				dv/dt (V/μs)	Ls (nH)	ESR(typ) @10KHz (mΩ)	Ipeak (A)
		L	D	P	Output				
4000 V.DC	0.68	40	52	56	M6*8	1100	25	2.1	748
	0.68	64	38	74	M6*8	770	25	4.0	524
	0.75	40	54	56	M6*8	1100	25	1.9	825
	1.0	40	62	56	M8*8	1100	25	1.5	1100
	1.0	64	45	74	M6*8	770	25	3.0	770
	1.25	40	69	56	M8*8	1100	25	1.3	1375
	1.5	40	76	56	M8*8	1100	25	1.1	1650
	1.5	64	54	74	M6*8	770	25	2.5	1155
	2.0	40	86	56	M8*8	1100	25	0.9	2200
	2.0	64	62	74	M8*8	770	25	2.0	1540
	2.5	40	97	56	M8*8	1100	25	0.8	2750
	2.5	64	69	74	M8*8	770	25	1.8	1925
3.0	64	75	74	M8*8	770	25	1.6	2310	
5000 V.DC	0.5	40	55	56	M6*8	1130	25	2.2	565
	0.68	40	64	56	M8*8	1130	25	1.7	768
	0.75	40	67	56	M8*8	1130	25	1.6	848
	1.0	40	78	56	M8*8	1130	25	1.3	1130
	1.25	40	87	56	M8*8	1130	25	1.1	1413
	1.5	40	95	56	M8*8	1130	25	0.9	1695
6000 V.DC	2.0	40	109	56	M8*8	1130	25	0.8	2260
	0.5	76	50	90	M6*8	1240	25	2.7	620
	0.68	76	59	90	M6*8	1240	25	2.1	843
	0.75	76	61	90	M8*8	1240	25	1.9	930
	1.0	76	70	90	M8*8	1240	25	1.5	1240
	1.25	76	78	90	M8*8	1240	25	1.3	1550
8000 V.DC	1.5	76	85	90	M8*8	1240	25	1.1	1860
	2.0	76	98	90	M8*8	1240	25	0.9	2480
	0.33	80	49	91	M8*8	1430	25	4.0	472
	0.33	114	38	125	M8*8	1100	25	7.4	363
	0.5	80	60	91	M8*8	1430	25	2.7	715
	0.5	114	45	125	M8*8	1100	25	5.0	550
	0.68	80	70	91	M8*8	1430	25	2.1	972
	0.68	114	52	125	M8*8	1100	25	3.8	748
	0.75	80	73	91	M8*8	1430	25	1.9	1073
	0.82	114	57	125	M8*8	1100	25	3.2	902
	1.0	80	84	91	M8*8	1430	25	1.5	1430
	1.0	114	63	125	M8*8	1100	25	2.7	1100
10000 V.DC	1.25	80	93	91	M8*8	1430	25	1.3	1788
	1.5	80	102	91	M8*8	1430	25	1.1	2145
	1.5	114	76	125	M8*8	1100	25	1.9	1650
	0.33	98	55	109	M6*8	1600	25	4.0	528
	0.33	140	41	148	M8*8	1220	25	7.5	403
	0.5	98	67	109	M8*8	1600	25	2.7	800
	0.5	140	50	148	M8*8	1220	25	5.0	610
	0.68	98	77	109	M8*8	1600	25	2.1	1088
	0.68	140	58	148	M8*8	1220	25	3.8	930
	0.75	98	81	109	M8*8	1600	25	1.9	1200
	0.82	140	64	148	M8*8	1220	25	3.2	1000
	1.0	98	93	109	M8*8	1600	25	1.5	1600
12000 V.DC	1.0	140	70	148	M8*8	1220	25	2.7	1220
	1.25	98	104	109	M8*8	1600	25	1.3	2000
	1.2	140	76	148	M8*8	1220	25	2.4	1464
	0.22	114	49	125	M6*8	1750	25	5.8	385
	0.33	114	60	125	M8*8	1750	25	4.0	578
	0.50	114	73	125	M8*8	1750	25	2.7	875
12000 V.DC	0.68	114	84	125	M8*8	1750	25	2.1	1190
	0.75	114	89	125	M8*8	1750	25	1.9	1313
	1.0	114	102	125	M8*8	1750	25	1.5	1750

引用标准 Referenced standard	GB/T17702, IEC61071
气候类别 Climatic category	40/105/21
工作温度范围 Operating temperature range	-40 ~ 105°C
最高使用海拔 Max. altitude	2000m
预期寿命 Lifetime expectancy	100 000h (U _n , θ _{ns} ≤70°C)
失效率 Failure rate	50FIT

电压范围 Voltage range	700 ~ 3000V.DC
容量范围 Capacitance range	0.001 ~ 7.5μF
容量允许偏差 Capacitance tolerance	±5% (J) / ±10% (K)
损耗角正切值 tgδ	6 × 10 ⁻⁴
耐电压 withstanding voltage	1.5U _n (10s,20±5°C)
绝缘电阻 Insulation resistance	C _n ≤ 0.33μF ≥100 000MΩ(60s,20±5°C,500V.DC) C _n > 0.33μF IR×C _n ≥30 000S(60s,20±5°C,500V.DC)
过电压 Over voltage	1.1U _n 30% of on-load-dur 1.15U _n 30min/day 1.2U _n 5min/day 1.3U _n 1min/day

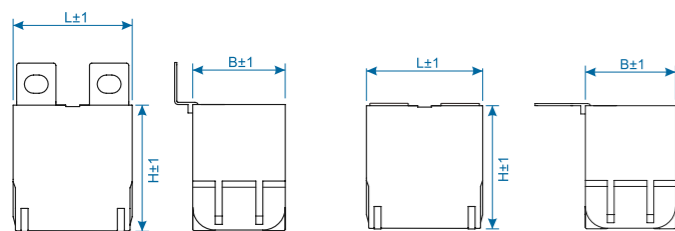


常用规格 Dimension											
U _n	C _n (μF)	Dimension(mm)						L _s (nH)	dv/dt (V/μs)	ESR(typ) @100KHz (mΩ)	I _{rms} @70°C 100KHz (A)
		L	B	H	P	P ₂	d				
850V.DC (420V.AC)	0.47	36	14.5	25	30.5	-	1.0	20	1000	8.0	10
	0.68	36	17.5	29	30.5	-	1.2	20	1000	6.0	14
	1.0	36	19.5	32	30.5	-	1.2	20	1000	6.5	14
	1.2	36	22	33	30.5	-	1.2	20	1000	8.5	14
	1.2	36	22	33	30.5	10.2	1.0	20	1000	6.0	16
	1.5	38	22	38	30.5	10.2	1.0	20	1000	5.0	18
	1.5	42	20	40	37.5	10.2	1.2	20	1000	4.5	18
	2.0	42	20	40	37.5	10.2	1.2	20	1000	6.5	18.5
	2.5	42	24	44	37.5	-	1.2	20	1000	5.5	14
	2.5	42.5	24	44	37.5	10.2	1.2	20	1000	5.0	20
	3.0	42.5	24	44	37.5	10.2	1.2	20	1000	5.0	22
	3.3	42.5	30	45	37.5	20.3	1.2	20	1000	6.0	22
	4.0	57.5	25	45	52.5	10.2	1.2	20	900	4.0	20
	4.7	57.5	30	45	52.5	20.3	1.2	30	900	4.0	25
	5.0	57.5	30	45	52.5	20.3	1.2	20	900	5.5	25
	6.0	57.5	35	50	52.5	20.3	1.2	20	900	4.5	26
	6.5	57.5	35	50	52.5	20.3	1.2	20	900	4.0	28
	7.0	57.5	35	60	52.5	20.3	1.2	23	900	3.5	28
	7.5	57.5	35	60	52.5	20.3	1.2	29	900	3.5	28
	1200V.DC (600V.AC)	0.1	35.5	10.5	21.5	30.5	-	0.8	20	1200	15
0.15		35	10	19.5	30.5	-	0.8	20	1200	15	5
0.18		36.5	10.5	21.5	30.5	-	0.8	20	1200	14.5	6
0.2		36.5	10.5	21.5	30.5	-	0.8	20	1200	14.5	7
0.22		36	13	23	30.5	-	1.0	20	1200	15	7.5
0.24		36	13	23	30.5	-	1.0	20	1200	15	8
0.27		36	13	24	30.5	-	1.0	20	1200	15	9
0.3		36	14.5	25.5	30.5	-	1.0	20	1200	7.5	10
0.33		36	14.5	25.5	30.5	-	1.0	20	1200	7.5	11
0.4		36	17	26	30.5	-	1.0	20	1200	7.5	12
0.47		36	17.5	29	30.5	-	1.0	30	1200	6.5	12
0.5		35	17.5	29	30.5	-	1.0	20	1200	5.5	12
0.68		36	22	33	30.5	-	1.0	20	1200	6.5	12
0.75		36	22	33	30.5	-	1.2	20	1200	5.5	14
0.82		42	20	40	37.5	-	1.2	20	1100	6.0	11
1.0		42	20	40	37.5	-	1.2	20	1100	5.0	13
1.2		42	24	44	37.5	-	1.2	30	1100	5.5	14

常用规格 Dimension											
U _n	C _n (μF)	Dimension(mm)						L _s (nH)	dv/dt (V/μs)	ESR(typ) @100KHz (mΩ)	I _{rms} @70°C 100KHz (A)
		L	B	H	P	P ₂	d				
1200V.DC (600V.AC)	1.2	42.5	24	44	37.5	10.2	1.2	20	1100	4.5	14
	1.5	42.5	24	44	37.5	10.2	1.2	20	1100	4.5	17.5
	2.0	42.5	30	45	37.5	20.3	1.2	23	1100	4.5	20
	2.2	42.5	30	45	37.5	20.3	1.2	29	1100	4.5	20
	2.2	57.5	25	45	52.5	10.3	1.2	29	1000	4.5	18
	2.5	57.5	30	45	52.5	20.3	1.2	29	1000	4.0	18
	3.0	57.5	35	50	52.5	20.3	1.2	29	1000	4.0	19
	3.3	57.5	35	50	52.5	20.3	1.2	33	1000	4.0	20
	3.5	57.5	35	50	52.5	20.3	1.2	33	1000	4.0	22
	4.0	57.5	35	50	52.5	20.3	1.2	33	1000	5.0	25
1600V.DC (650V.AC)	0.0056	18	9.0	17.5	15	-	0.8	20	1200	69	1.5
	0.0082	18	9.0	17.5	15	-	0.8	20	1200	48	1.8
	0.01	18	9.0	17.5	15	-	0.8	20	1200	39	2
	0.01	26.5	7.0	16.5	22	-	0.8	20	1200	39	1.5
	0.015	26.5	7.0	16.5	22	-	0.8	20	1200	32	1.6
	0.015	18	8.5	14.5	15	-	0.8	20	1200	32	2
	0.022	18	10	18	15	-	0.8	20	1200	18	3
	0.022	26.5	8.5	17	22	-	0.8	20	1200	18	2.3
	0.033	18	10	18	15	-	0.8	20	1200	15	3
	0.033	26.5	8.5	17	22	-	0.8	20	1200	15	2.6
	0.047	26	9	18	22	-	0.8	20	1200	10	3.7
	0.068	26	11	20	22	-	0.8	20	1200	7.5	5.5
	0.082	26	14	23	22	-	1.0	20	1200	6.0	7.0
	0.082	31	22	31	22	-	1.2	20	1200	6.0	14
	0.1	26	15	25	22	-	1.0	20	1200	5.0	8.5
	0.68	42	20	40	37.5	10.2	1.2	29	1250	4.0	16
	1.0	42.5	30	45	37.5	20.3	1.2	29	1250	4.0	17.5
	1.2	42.5	30	45	37.5	20.3	1.2	29	1250	4.0	18
	1.5	42.5	43	42	37.5	20.3	1.2	29	1250	4.0	19
	1.5	57.5	30	45	52.5	20.3	1.2	33	750	4.0	20
2.0	57.5	35	50	52.5	20.3	1.2	33	750	4.0	22	
2000V.DC (700V.AC)	0.0056	17.5	9.0	18	15	-	0.8	20	1200	69	1.5
	0.0082	17.5	10	18	15	-	0.8	20	1200	48	1.8
	0.01	18	6.3	13	15	-	0.8	20	1200	39	2.8
	0.01	26.5	7.0	16.5	22	-	0.8	20	1200	39	3.0
	0.015	26.5	7.0	16.5	22	-	0.8	20	1200	32	3.0
	0.015	18	8.5	14.5	15	-	0.8	20	1200	32	3.5
	0.022	18	10	18	15	-	1.0	20	1200	18	3.8
	0.022	26.5	8.5	17	22	-	1.0	20	1200	18	3.5
	0.033	26.5	10	19	22	-	0.8	20	1200	15	5.0
	0.047	26	12	21.5	22	-	1.0	20	1200	10	5.5
	0.068	26	15	25	22	-	1.0	20	1200	7.5	5.5
	0.082	26	14	23	22	-	1.0	20	1200	6.0	7
	0.082	31	22	31	22	-	1.2	20	1200	6.0	14
	0.1	26	15	25	22	-	1.0	20	1200	5.0	8.5
	0.47	42.5	20	40	37.5	10.2	1.2	29	850	5.0	15
	0.82	42.5	30	45	37.5	20.3	1.2	29	850	4.5	17
	1.0	42.5	30	45	37.5	20.3	1.2	29	850	4.5	19
	1.0	57.5	30	45	52.5	20.3	1.2	33	850	4.5	20
1.2	57.5	30	45	52.5	20.3	1.2	33	750	4.5	21	
1.5	57.5	35	50	52.5	20.3	1.2	33	750	4.5	22	

引用标准 Referenced standard GB/T17702, IEC61071
 气候类别 Climatic category 40/105/21
 工作温度范围 Operating temperature range -40 ~ 105°C
 最高使用海拔 Max. altitude 2000m
 预期寿命 Lifetime expectancy 100 000h(U_n, θ_{hs}≤70°C)
 失效率 Failure rate 50FIT

电压范围 Voltage range 600 ~ 4000V.DC
 容量范围 Capacitance range 0.0068 ~ 10μF
 容量允许偏差 Capacitance tolerance ±5% (J) / ±10% (K)
 损耗角正切值 tgδ 6 × 10⁻⁴
 耐电压 withstanding voltage 1.5U_n
 绝缘电阻 Insulation resistance
 C_n ≤ 0.33μF ≥100 000MΩ(60s, 20±5°C, 500V.DC)
 C_n > 0.33μF IR × C_n ≥ 30 000S(60s, 20±5°C, 500V.DC)
 过电压 Over voltage
 1.1U_n 30% of on-load-dur
 1.15U_n 30min/day
 1.2U_n 5min/day
 1.3U_n 1min/day



常用规格 Dimension

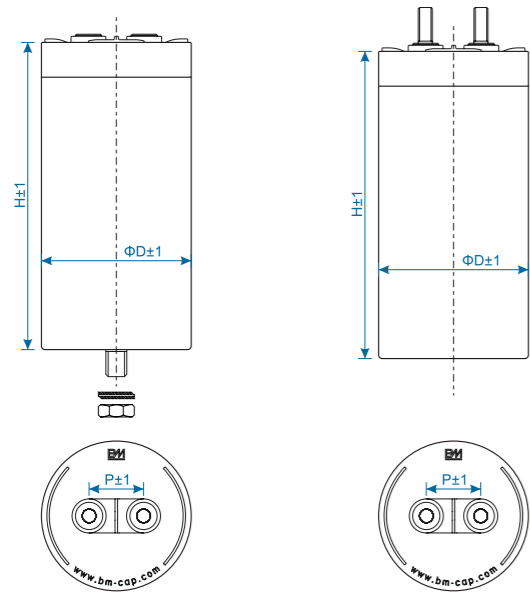
U _n	C _n (μF)	Dimension(mm)			dv/dt (V/μs)	L _s (nH)	ESR(typ) @10KHz (mΩ)	I _{peak} (A)	I _{rms} @70°C 100KHz (A)
		L	B	H					
700V.DC (400V.AC)	1.0	42.5	24.5	27.5	325	25	3.2	325	15.0
	1.2	42.5	24.5	27.5	325	25	3.1	390	16.0
	1.5	42.5	22.0	30.0	325	25	2.8	487	18.0
	2.0	42.5	33.5	35.5	325	25	2.5	650	22.0
	2.0	42.5	28.0	37.0	325	25	2.5	650	22.0
	2.2	42.5	33.5	35.5	325	25	2.4	715	22.5
	2.2	42.5	28.0	37.0	325	25	2.4	715	22.0
	2.5	42.5	33.5	35.5	325	25	2.2	812	24.0
	2.5	42.5	28.0	37.0	325	25	2.2	812	23.0
	3.0	42.5	33.0	45.0	325	25	2.1	975	26.0
	3.0	42.5	30.0	45.0	325	25	2.1	975	26.0
	3.3	42.5	33.0	45.0	325	25	2.1	1072	27.0
	3.3	42.5	30.0	45.0	325	25	2.0	1072	26.0
	3.5	42.5	33.0	45.0	325	25	2.0	1134	27.0
	3.5	42.5	30.0	45.0	325	25	2.0	1134	26.0
	4.0	57.5	30.0	45.0	220	35	2.3	880	27.0
	4.0	42.5	33.0	45.0	325	25	1.8	1300	32.0
	4.7	57.5	35.0	50.0	220	35	2.1	1034	31.0
	4.7	57.5	30.0	45.0	220	35	2.1	1034	30.5
	5.0	57.5	35.0	50.0	220	35	2.1	1100	31.0
5.0	57.5	30.0	45.0	220	35	2.1	1100	30.5	
5.6	57.5	35.0	50.0	220	35	2.0	1232	32.0	
6.8	57.5	35.0	50.0	220	35	2.0	1496	32.0	
10.0	58	45	55	220	35	1.5	2200	33.0	
850V.DC (450V.AC)	0.82	42.5	24.5	27.5	400	25	3.1	328	15.0
	1.0	42.5	24.5	27.5	400	25	2.8	400	17.0
	1.5	42.5	33.5	35.5	400	25	2.2	600	23.0
	1.5	42.5	28.0	37.0	400	25	2.2	600	22.0
	2.0	42.5	33.5	35.5	400	25	2.2	800	24.0
	2.2	42.5	30.0	45.0	400	25	2.2	880	27.0
	2.5	42.5	33.0	45.0	400	25	2.0	1000	27.0
	2.5	42.5	30.0	45.0	400	25	2.0	1000	26.5
	3.0	57.5	30.0	45.0	280	35	1.9	840	28.0
	3.3	57.5	30.0	45.0	280	35	2.2	924	28.5
	4.0	57.5	35.0	50.0	280	35	2.1	1120	30.0
	4.7	57.5	35.0	50.0	280	35	2.0	1316	32.0
6.8	58	45	55	280	35	1.6	1904	33.0	
1000V.DC (500V.AC)	0.68	42.5	24.5	27.5	500	25	3.3	340	15.0
	0.75	42.5	24.5	27.5	500	25	3.2	375	15.5
	1.0	42.5	28.0	37.0	500	25	3.0	500	17.0
	1.2	42.5	33.5	35.5	500	25	2.5	600	22.0

常用规格 Dimension

U _n	C _n (μF)	Dimension(mm)			dv/dt (V/μs)	L _s (nH)	ESR(typ) @10KHz (mΩ)	I _{peak} (A)	I _{rms} @70°C 100KHz (A)
		ΦD	H	P					
1000V.DC (500V.AC)	1.2	42.5	28.0	37.0	500	25	2.5	600	21.0
	1.5	42.5	33.5	35.5	500	25	2.2	750	23.5
	2.0	42.5	33.0	45.0	500	25	2.0	1000	26.5
	2.2	57.5	30.0	45.0	350	35	2.1	875	28.0
	3.0	57.5	35.0	50.0	350	35	2.1	1050	31.0
	3.3	57.5	35.0	50.0	350	35	2.0	1155	31.0
	5.0	57.5	42.5	55	350	35	1.8	1750	34.0
	0.22	42.5	24.5	27.5	650	25	5.3	143	11.5
	0.22	42.5	15.0	26.0	650	25	5.2	143	11.0
	0.33	42.5	24.5	27.5	650	25	5.2	210	12.0
1200V.DC (600V.AC)	0.33	42.5	15.0	26.0	650	25	5.1	210	11.5
	0.39	42.5	24.5	27.5	650	25	4.6	254	13.0
	0.39	42.5	17.0	28.0	650	25	4.6	254	12.5
	0.47	42.5	24.5	27.5	650	25	4.1	308	14.0
	0.47	42.5	22.0	30.0	650	25	4.1	308	13.0
	0.56	42.5	22.0	30.0	650	25	3.8	364	14.0
	0.56	42.5	24.5	27.5	650	25	3.5	364	15.0
	0.68	42.5	33.5	35.5	650	25	3.3	442	19.0
	0.82	42.5	33.5	35.5	650	25	3.1	533	20.0
	1.0	42.5	33.5	35.5	650	25	2.8	650	20.5
	1.2	42.5	33.0	45.0	650	25	2.5	780	24.0
	1.2	42.5	30.0	45.0	650	25	2.5	780	23.0
	1.5	42.5	33.0	45.0	650	25	2.2	975	25.0
	1.5	42.5	30.0	45.0	650	25	2.2	975	24.5
	2.0	57.5	30.0	45.0	455	35	1.8	910	27.0
	2.2	57.5	35.0	50.0	455	35	2.4	1001	30.0
	2.2	57.5	30.0	50.0	455	35	2.4	1001	29.0
	3.0	57.5	35.0	50.0	455	35	2.1	1365	32.0
	2.5	57.5	35.0	50.0	455	35	2.3	1138	32.0
	4.5	57.5	42.5	55	455	35	1.8	2047	33.0
1600V.DC/ 1700V.DC (650V.AC)	0.22	42.5	24.5	27.5	880	25	5.5	194	13.5
	0.22	42.5	17.0	28.0	880	25	5.4	194	13.0
	0.33	42.5	24.5	27.5	880	25	5.0	290	14.0
	0.33	42.5	22.0	30.0	880	25	5.0	290	14.0
	0.47	42.5	33.5	35.5	880	25	3.9	413	19.0
	0.47	42.5	28.0	37.0	880	25	3.9	413	18.0
	0.56	42.5	33.5	35.5	880	25	3.2	492	20.0
	0.56	42.5	28.0	37.0	880	25	3.2	492	20.0
	0.68	42.5	33.5	35.5	880	25	2.8	598	20.0
	0.82	42.5	33.0	45.0	880	25	2.5	721	23.0
2000V.DC (700V.AC)	0.82	42.5	30.0	45.0	800	25	2.5	721	20.0
	1.0	57.5	30.0	45.0	610	35	2.8	610	24.0
	1.2	57.5	30.0	45.0	610	35	2.8	732	27.0
	1.5	57.5	35.0	50.0	610	35	2.6	915	29.0
	2.2	57.5	42.5	55	610	35	1.8	1342	32.0
	0.1	42.5	24.5	27.5	1000	25	14	100	8
	0.15	42.5	24.5	27.5	1000	25	13.5	150	7.5
	0.22	42.5	24.5	27.5	1000	25	5.2	220	12
	0.22	42.5	22	30	1000	25	5.2	220	11
	0.33	42.5	33.5	35.5	1000	25	4.2	330	17
3000V.DC (800V.AC)	0.33	42.5	28	37	1000	25	4.2	330	16
	0.39	42.5	33.5	35.5	1000	25	3.8	390	18
	0.39	42.5	28	37	1000	25	3.8	390	17.5
	0.47	42.5	33	45	1000	25	3.2	470	22
	0.47	42.5	28	37	1000	25	3.3	470	20
	0.56	42.5	33	45	1000	25	3.0	560	23
	0.68	57.5	30	45	700	35	3.5	476	23
	1.0	57.5	35	50	700	35	2.8	700	28
	1.2	57.5	35	50	700	35	2.6	840	30
	1.8	57.5	42.5	55	700	35	2.0	1260	35

引用标准 Referenced standard GB/T17702, IEC61071
 气候类别 Climatic category 40/85/21
 工作温度范围 Operating temperature range -40 ~ 85°C
 存储温度范围 Storage temperature range -40 ~ 85°C
 最高使用海拔 Max. altitude 2000m
 最大电极扭距 Max. torque of terminals
 M6 5Nm
 M8 6Nm
 最大安装扭距 Max. torque of installation 10Nm
 预期寿命 Lifetime expectancy After 60 000h at $U_{rms}, f_n, 50^\circ C$,
 $I_{AC}/C \leq 3\%$

电压范围 Voltage range 400 ~ 1300V.AC
 容量范围 Capacitance range 6.8 ~ 820 μF
 容量允许偏差 Capacitance tolerance $\pm 5\%$ (J) / $\pm 10\%$ (K)
 损耗角正切值 $tg\delta$ 2×10^{-3} (100Hz, 1V, 20 $\pm 5^\circ C$)
 耐电压 withstanding voltage
 极壳 Between terminal and case 3000V.AC(10s)
 极间 Between terminals 1.5 U_n (10s, 20 $\pm 5^\circ C$)
 绝缘电阻 Insulation resistance $IR \times C_n \geq 5000S$

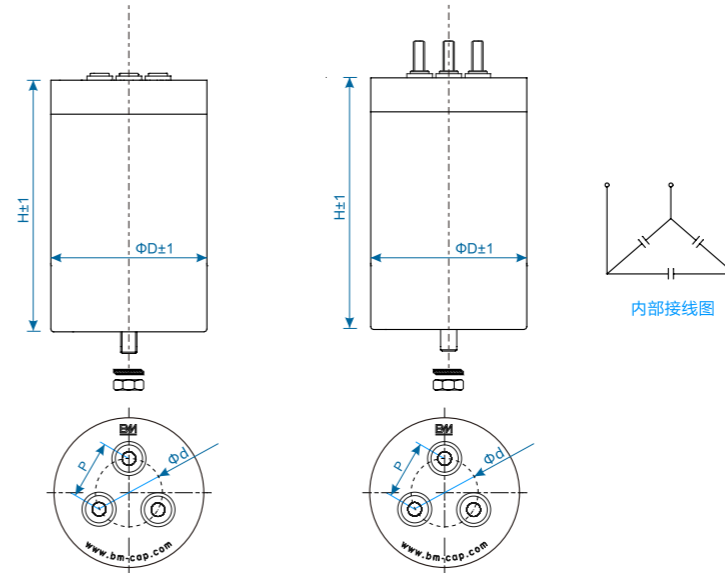


接线方式 Connection M6铜螺母 M6 Copper nut
 安装方式 Installation M12螺栓 M12 Bolt

接线方式 Connection M8铜螺栓 M8 Copper bolts
 安装方式 Installation 平底 Flat

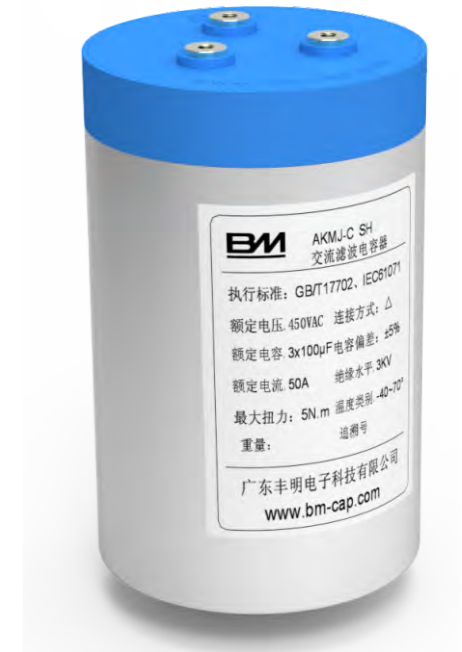
常用规格 Dimension

Un	Cn (μF)	Dimension(mm)			Rth (K/W)	ESR(typ) @1KHz (mΩ)	Irms @45°C 10KHZ (A)
		ΦD	H	P			
400/450 V.AC	50	76	70	32	5.2	2.5	30
	100	76	95	32	4.4	2.1	40
	150	76	125	32	4.0	1.5	40
	200	76	175	32	3.4	1.1	60
	250	86	175	32	3.2	1.3	70
	320	96	175	32/45	2.8	0.9	80
	350	96	175	32/45	2.1	0.9	100
500/550 V.AC	420	116	175	50	1.9	0.6	100
	50	76	70	32	5.2	2.5	40
	100	86	95	32	4.4	2.1	50
	180	96	125	32	4.0	1.5	60
	200	86	175	32	3.4	1.1	70
	250	96	175	32/45	3.2	1.3	85
690 V.AC	350	96	225	32/45	2.8	0.9	100
	420	116	145	50	2.1	0.9	100
	50	76	95	32	5.2	2.5	40
	100	76	175	32	4.4	2.1	60
	200	96	225	32/45	4.0	1.5	70
	250	116	175	50	3.4	1.1	80
300	116	225	50	2.8	0.9	100	
	420	136	225	50	2.1	0.9	100



接线方式 Connection M6铜螺母 M6 Copper nut
 安装方式 Installation M12螺栓 M12 Bolt

接线方式 Connection M8铜螺栓 M8 Copper bolts
 安装方式 Installation M12螺栓 M12 Bolt



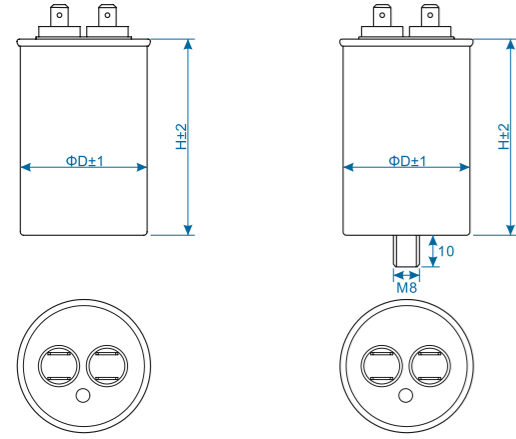
常用规格 Dimension

Un	Cn (μF)	Dimension(mm)				ESL (nH)	Rth (KW)	ESR(typ) @1KHz (mΩ)	Irms (A)
		ΦD	H	P	Φd				
400/450 V.AC	3x110	116	130	43.3	50	100	4.5	3x1.8	3x50
	3x145	116	145	43.3	50	110	3.8	3x1.75	3x60
	3x175	116	210	43.3	50	120	3.5	3x1.75	3x75
	3x200	136	225	52	60	125	2.1	3x1.6	3x85
500/550 V.AC	3x100	116	180	43.3	50	100	4.5	3x1.8	3x45
	3x120	116	145	43.3	50	110	3.8	3x1.75	3x50
	3x125	136	180	52	60	120	3.5	3x1.65	3x75
690 V.AC	3x135	136	225	52	60	130	2.1	3x1.6	3x80
	3x49	116	225	43.3	50	120	2.1	3x2.2	3x60
690 V.AC	3x55.7	136	225	52	60	130	3.8	3x2.1	3x60
	3x41.9	116	225	43.3	50	120	2.1	3x2.2	3x60
690 V.AC	3x55.7	136	225	52	60	130	1.8	3x1.85	3x80



引用标准 Referenced standard	GB/T17702, IEC61071
气候类别 Climatic category	40/55/21
工作温度范围 Operating temperature range	-40~55°C
存储温度范围 Storage temperature range	-40~85°C
最高使用海拔 Max. altitude	2000m
安全等级 Safety Class	S1/S2
放电性能 Discharge performance	3min, <75V

电压范围 Voltage range	400~690V.AC
容量范围 Capacitance range	10~200μF
容量允许偏差 Capacitance tolerance	±5% (J) / ±10% (K)
损耗角正切值 tgδ	2×10 ⁻³
耐电压 withstanding voltage	
极壳 Between terminal and case	3000V.AC(10s)
极间 Between terminals	2.15Un(10s, 20±5°C)
绝缘电阻 Insulation resistance	IR×Cn≥5000S(60s, 20±5°C, 100V.DC)

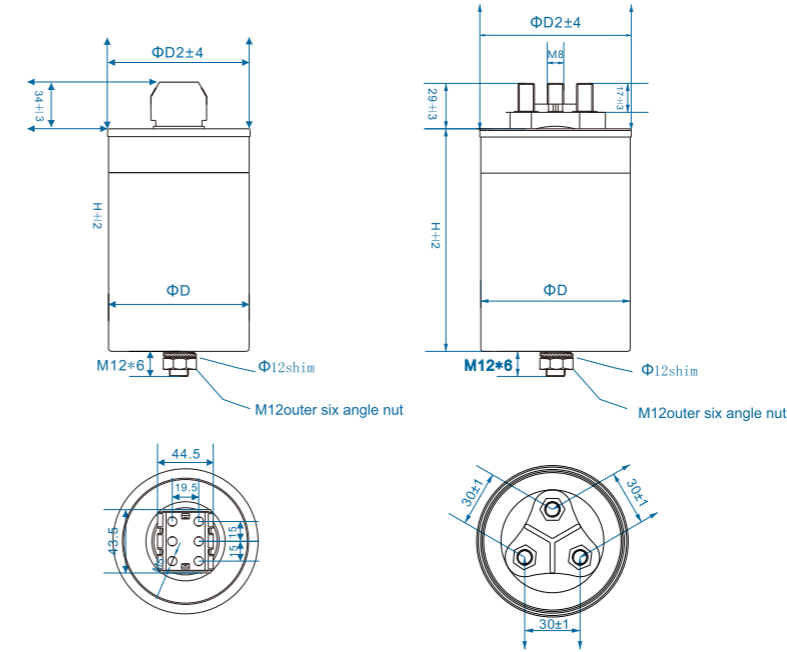


常用规格 Dimension

Un	Cn (μF)	Dimension(mm)		ESR(typ) @1KHz (mΩ)
		ΦD	H	
400/415 V.AC	10	40	65	16
	15	45	65	11
	20	45	65	8.0
	25	45	85	6.5
	30	50	85	5.5
	40	50	100	4.0
	50	50	110	3.5
	60	55	110	3.0
	70	55	125	2.5
	80	60	125	2.5
450 V.AC	10	40	75	16
	15	45	75	11
	20	45	85	8.0
	25	50	85	6.5
	30	50	100	5.5
	40	50	115	4.0
	50	55	125	3.5
	60	60	125	3.0
	70	60	135	2.5
	80	60	145	2.5
500 V.AC	10	45	75	16
	15	50	85	11
	20	50	100	8.0
	25	50	115	6.5
	30	55	125	5.5
	40	60	135	4.0
	50	60	145	3.5
	60	70	150	3.0
	70	70	160	2.5
	80	70	180	2.5

引用标准 Referenced standard	GB/T12747-1, IEC61071
气候类别 Climatic category	40/70/21
工作温度范围 Operating temperature range	-40~70°C
存储温度范围 Storage temperature range	-40~85°C
最高使用海拔 Max. altitude	2000m
最大电极扭矩 Max. torque of terminals	
M6	5Nm
M8	6Nm
最大安装扭矩 Max. torque of installation	10Nm
预期寿命 Lifetime expectancy	100,000 hours at Un and Th≤70°C
安全等级 Safety Class	S1/S2

电压范围 Voltage range	230~850V.AC
容量范围 Capacitance range	3×22~3×300.9μF
容量允许偏差 Capacitance tolerance	±5% (J) / ±10% (K)
损耗角正切值 tgδ	≤2×10 ⁻³ (100Hz, 20±5°C, 1V.DC)
耐电压 withstanding voltage	
极壳 Between terminal and case	3000V.AC(10s, 50/60Hz, 25°C)
极间 Between terminals	
AC	1.25Un(10s, 25°C)
DC	1.75Un(10s, 25°C)
绝缘电阻 Insulation resistance	IR×Cn≥5000S(60s, 20±5°C, 100V.DC)

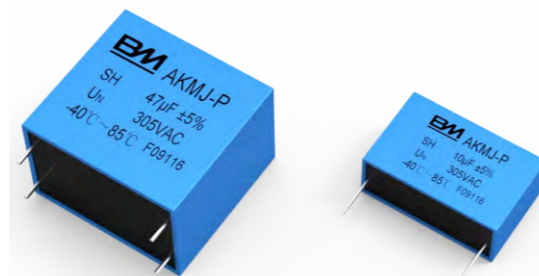
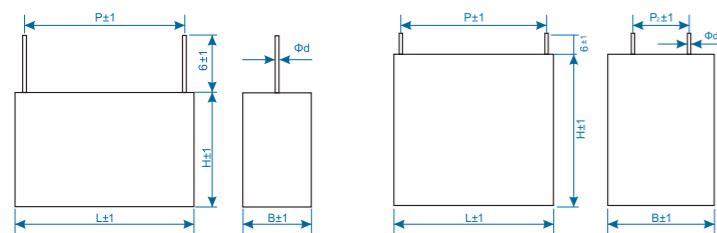


常用规格 Dimension

Un	Cn (μF)	Dimension(mm)		Output Un @50Hz (kvar)	ESR (typ) @1KHz (mΩ)	Ipeak (A)	Irms @40°C (A)	Irms @55°C (A)	Irms @70°C (A)	Rth (°C/W)
		ΦD	H							
230 V.AC	3×201	96	285	10	3.1	1674	52	36	17	5.69
	3×251	106	285	12.5	2.5	2092	59	42	19	5.6
	3×301	116	285	15	2.1	2510	64	45	21	5.6
350 V.AC	3×56	76	205	6.5	4.33	715	35	23	10	9.2
	3×87	86	240	10	3.98	1100	40	26	12	7.8
400 V.AC	3×108	96	240	12.5	3.2	1375	45	29	14	7.3
	3×66	96	205	10	3.1	962	43	29	12	8.7
	3×133	106	285	20	3.3	1925	50	35	14	5.8
440 V.AC	3×167	116	285	25	2.7	2887	55	38	16	5.8
	3×55	86	205	10	3.65	875	38	26	12	9.1
480 V.AC	3×110	106	240	20	2.65	1750	50	36	15	6.9
	3×164	116	285	30	2.68	2624	55	38	17	5.7
525 V.AC	3×46	86	205	10	3.9	805	38	26	13	9.0
	3×92	106	240	20	2.75	1604	52	35	16	6.7
	3×138	116	285	30	2.85	2406	55	38	17	5.6
550 V.AC	3×48	86	240	12.5	5.28	920	35	24	10	7.6
	3×77	96	285	20	5.05	1465	38	28	12	6.2
690 V.AC	3×96	116	240	25	2.53	1835	52	36	17	7.2
	3×24	86	240	10	6.98	585	29	20	11	7.8
	3×37	106	240	15	4.4	878	37	25	12	7.7
850 V.AC	3×49	116	240	20	3.5	1460	42	29	14	7.45
	3×23	86	240	10	7.28	700	29	19	9.0	7.95
	3×33	96	240	15	5.12	838	36	24	11	7.45
	3×56	116	240	25	3.35	1395	44	30	14	7.25
	3×22	96	240	15	6.68	679	30	20	9.0	7.87
	3×29	106	240	20	5.0	906	36	24	11	7.5
	3×56	136	240	38	2.75	1721	49	34	16	7.2

引用标准 Referenced standard	GB/T17702, IEC61071
气候类别 Climatic category	40/85/56
工作温度范围 Operating temperature range	-40~105°C
最高使用海拔 Max. altitude	2000m
典型使用电压对照	
额定均方根电压 Rated RMS Voltage(Urms)	180V.AC/250V.AC/300V.AC/350VAC/400VAC/440VAC
额定交流电压 Rated AC Voltage (UNAC)	250V.AC/350V.AC/425V.AC/480VAC/560VAC/630VAC
最大连续直流电压 Maximum continuous DC voltage	300V.DC/475V.DC/560V.DC/600VDC/680VAC/1000VAC

电压范围 Voltage range	180~440V.AC
容量范围 Capacitance range	1~60μF
容量允许偏差 Capacitance tolerance	±5% (J) /±10% (K)
损耗角正切值 tgδ	≤20 × 10 ⁻⁴ (1KHz,20°C)
耐电压 withstanding voltage	2.15Urms(VAC)(10s, 20±5°C)
绝缘电阻 Insulation resistance	IR×C _N ≥3000S
过电压 Over voltage	1.1Un 30% of on-load-dur 1.15Un 30min/day 1.2Un 5min/day 1.3Un 1min/day



产品可通过THB1000h双85测试
THB series are available upon request

常用规格 Dimension

Un	C _N (μF)	Dimension(mm)						dv/dt (V/μs)	I _{rms} @60°C 10KHz (A)	ESR (typ) @1KHz (mΩ)
		L	B	H	P	P ₂	d			
U _{rms} =180V.AC U _{NAC} =250V.AC U _{NDC} =300V.DC	4.0	31	13	22	27.5	-	0.8	70	4	6.7
	5.0	31	14	25	27.5	-	0.8	70	5	5.3
	6.8	32	18	28	27.5	-	1.0	70	7	3.9
	10	32	21	31	27.5	-	1.0	40	10	2.7
	15	32	22	45	27.5	-	1.2	70	15	1.8
	18	42	23	35	37.5	-	1.2	40	14	2.7
	22	42.5	28	37	37.5	-	1.2	40	14	2.2
	30	42	30	45	37.5	-	1.2	40	14	1.6
	33	42	30	45	37.5	-	1.2	40	15	1.5
	40	57.5	30	45	52.5	20.3	1.2	20	20	2.6
U _{rms} =250V.AC U _{NAC} =350V.AC U _{NDC} =475V.DC	50	57.5	35	50	52.5	20.3	1.2	20	24	2.1
	60	57.5	35	50	52.5	20.3	1.2	20	27	1.7
	1.0	32	9	18	27.5	-	0.8	90	1.3	19.3
	1.5	32	10	20	27.5	-	0.8	90	4	12.9
	2.0	32	12	21.5	27.5	-	0.8	90	2.5	9.6
	2.2	32	13	22	27.5	-	0.8	90	2.7	8.8
	2.5	32	13	22	27.5	-	0.8	90	3.1	7.7
	3.0	32	15	24.5	27.5	-	0.8	90	3.7	6.4
	3.3	31	14	25	27.5	-	0.8	90	4.1	5.8
	4.0	32	16	30.5	27.5	-	0.8	90	5	4.8
	5.0	32	18	30	27.5	-	0.8	90	6.5	3.9
	6.8	31	22	31	27.5	-	1.0	90	8.5	2.8
10	42	21	35	37.5	-	1.0	60	7.5	3.7	
12	42	22	38	37.5	-	1.0	60	9.0	3.0	

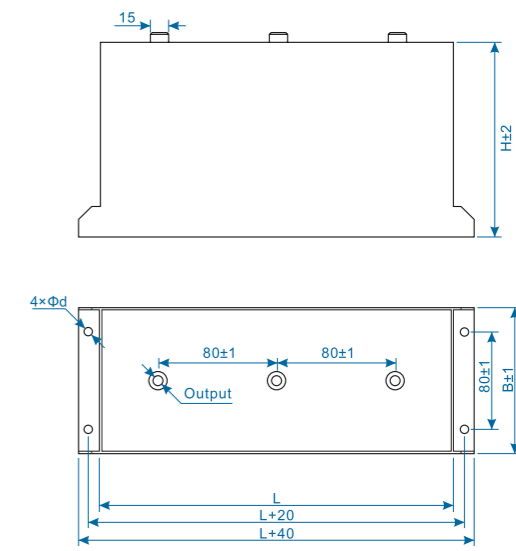
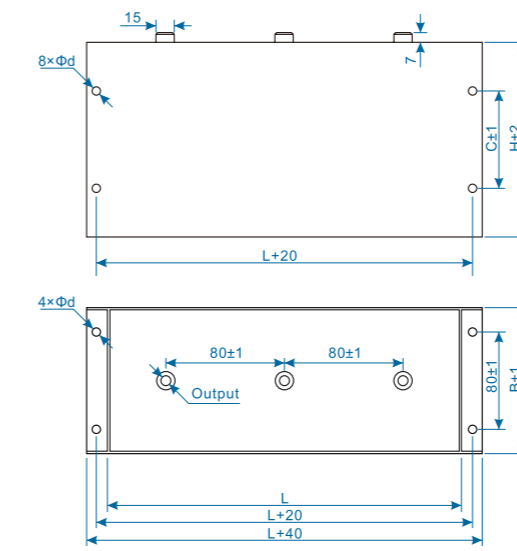
常用规格 Dimension

Un	C _N (μF)	Dimension(mm)						dv/dt (V/μs)	I _{rms} @60°C 10KHz (A)	ESR (typ) @1KHz (mΩ)	
		L	B	H	P	P ₂	d				
U _{rms} =250V.AC U _{NAC} =350V.AC U _{NDC} =475V.DC	15	42	28	37	37.5	-	1.0	60	11	2.4	
	18	42	30	45	37.5	-	1.2	60	13	2.0	
	20	42	30	45	37.5	-	1.2	60	14	1.8	
	25	57.5	30	45	52.5	20.3	1.2	30	18	3.3	
	30	57.5	30	45	52.5	20.3	1.2	30	20	2.7	
	35	57.5	35	50	52.5	20.3	1.2	30	23	2.3	
	40	57.5	35	50	52.5	20.3	1.2	30	25	2.0	
	1.0	31	10	20	27.5	-	0.8	100	1.5	15.9	
	1.5	31	13	22	27.5	-	0.8	100	2.2	10.6	
	2.0	31	14	23.5	27.5	-	0.8	100	3	8.9	
U _{rms} =300V.AC U _{NAC} =425V.AC U _{NDC} =560V.DC	2.2	32	15	24.5	27.5	-	0.8	100	3.3	8.0	
	2.5	32	14	28	27.5	-	0.8	100	3.7	7.2	
	3.0	32	18	28	27.5	-	0.8	100	4.5	6.4	
	3.3	32	18	28	27.5	-	0.8	100	5	5.3	
	4.0	32	18	33	27.5	-	0.8	100	6	4.6	
	4.7	31	22	31	27.5	-	1.0	100	7	4.0	
	5.0	32	22	38	27.5	-	1.0	100	7.5	3.4	
	6.8	32	22	45	27.5	-	1.0	100	10	3.2	
	8.0	42.5	22	38.5	37.5	-	1.0	70	7.5	3.8	
	10	42.5	28	37	37.5	-	1.0	70	9	3.0	
	15	42.5	30	45	37.5	-	1.2	70	14	2.1	
	18	57.5	30	45	52.5	20.3	1.2	40	17	3.8	
	20	57.5	30	45	52.5	20.3	1.2	40	18	3.4	
	22	57.5	30	45	52.5	20.3	1.2	40	20	3.1	
	25	57.5	35	50	52.5	20.3	1.2	40	21	2.7	
	28	57.5	35	50	52.5	20.3	1.2	40	23	2.4	
	U _{rms} =350V.AC U _{NAC} =480V.AC U _{NDC} =600V.DC	1.0	32	11	24	27.5	-	0.8	100	1.8	19.5
		1.5	32	15	24.5	27.5	-	0.8	100	2.6	16.5
2.0		32	16	30	27.5	-	0.8	100	3.5	12.5	
2.2		32	16	30	27.5	-	0.8	100	4	12	
2.5		32	18	30	27.5	-	0.8	100	4.5	11.5	
3.0		32	21	31	27.5	-	0.8	100	5.5	9.5	
4.0		32	22	38	27.5	10.2	0.8	100	7	7.5	
4.5		42	22	37	37.5	-	1.0	75	6	11.5	
4.7		42	21	35	37.5	-	1.0	75	6.5	11	
10		57.5	30	45	52.5	20.3	1.2	50	11.5	6.2	
12		57.5	30	45	52.5	20.3	1.2	50	12.5	5.3	
15		57.5	35	50	52.5	20.3	1.2	50	15	4.4	
U _{rms} =400V.AC U _{NAC} =560V.AC U _{NDC} =680V.DC	18	57.5	35	60	52.5	20.3	1.2	50	16.5	3.8	
	20	57.5	45	55	52.5	20.3	1.2	50	17	3.5	
	25	57.5	45	65	52.5	20.3	1.2	50	22	3.0	
	1	32	16	30	27.5	-	1	100	5.5	15.9	
	1.5	32	18	33	27.5	-	1	100	8	11.5	
	2	32	22	38	27.5	-	1	100	8.5	9.5	
	2.2	32	22	38	27.5	-	1	100	9	9	
	1.5	42	14	32	37.5	-	1	75	5	23.5	
2	42	18	30	37.5	-	1	75	6.5	12.7		

常用规格 Dimension										
Un	Cn (μF)	Dimension(mm)						dv/dt (V/μs)	I _{rms} @60°C 10KHz (A)	ESR (typ) @1KHz (mΩ)
		L	B	H	P	P ₂	d			
U _{rms} =400V.AC U _{NAC} =560V.AC U _{NDC} =680V.DC	2.2	42	18	30	37.5	-	1	75	7	12
	2.5	42	18	30	37.5	-	1	75	7.5	10.8
	3	42	22	37	37.5	-	1	75	8	9.5
	3.3	42	22	37	37.5	-	1	75	8.5	9
	3.5	42	22	37	37.5	-	1	75	9	8.5
	8	57.5	30	45	52.5	20.3	1.2	50	12	6.2
	8.5	57.5	30	45	52.5	20.3	1.2	50	13	5.8
	10	57.5	35	50	52.5	20.3	1.2	50	15	5
	12	57.5	35	60	52.5	20.3	1.2	50	18	4.5
	15	57.5	35	60	52.5	20.3	1.2	50	19.5	3.8
U _{rms} =440V.AC U _{NAC} =630V.AC U _{NDC} =1000V.DC	1.0	32	18	33	27.5	-	1.0	100	6.5	13
	1.5	32	22	38	27.5	-	1.0	100	8.5	8.6
	2.0	32	22	38	27.5	-	1.0	100	9.5	6.8
	1.5	42	18	30	37.5	-	1.0	100	5.5	21
	2.0	42	22	37	37.5	-	1.0	100	7.5	15.5
	2.2	42	22	37	37.5	-	1.0	100	8.0	14
	2.5	42	22	37	37.5	-	1.0	75	8.5	12.8
	3.0	42	22	37	37.5	-	1.0	75	9.5	10
	6.0	57.5	30	45	52.5	20.3	1.2	50	14	8.2
	6.8	57.5	30	45	52.5	20.3	1.2	50	15	7.5
	7.0	57.5	30	45	52.5	20.3	1.2	50	15	7.2
	7.5	57.5	30	45	52.5	20.3	1.2	50	15.8	6.8
	8.5	57.5	35	50	52.5	20.3	1.2	50	18	6.2
	10	57.5	35	60	52.5	20.3	1.2	50	19.5	5.6
	12	57.5	35	60	52.5	20.3	1.2	50	21	4.9
15	57.5	45	65	52.5	20.3	1.2	50	24.5	4.2	

引用标准 Referenced standard GB/T17702, IEC61071
 气候类别 Climatic category 40/85/21
 工作温度范围 Operating temperature range -40 ~ 85°C
 存储温度范围 Storage temperature range -40 ~ 85°C
 最高使用海拔 Max. altitude 2000m
 最大电极扭矩 Max. torque of terminals
 M6 5Nm
 M8 6Nm
 预期寿命 Lifetime expectancy After 60 000h at U_{rms}, f_N, 50°C, IΔC/CI≤3%

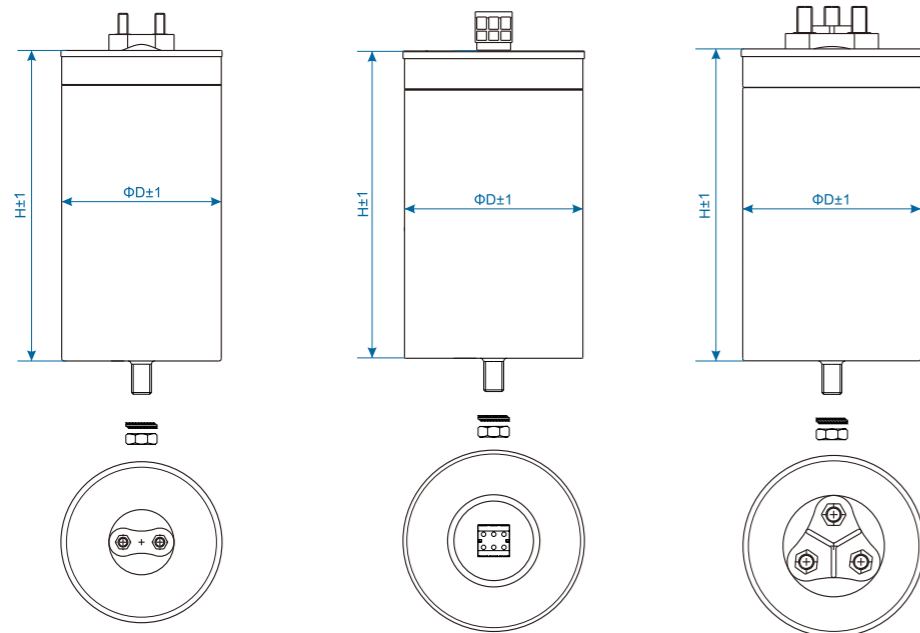
电压范围 Voltage range 400 ~ 1000V.AC
 容量范围 Capacitance range 3×20 ~ 3×500μF
 容量允许偏差 Capacitance tolerance ±5% (J) / ±10% (K)
 损耗角正切值 tgδ 2×10⁻³ (100Hz, 1V, 20±5°C)
 耐电压 withstanding voltage
 极壳 Between terminal and case 3000V.AC(10s)
 极间 Between terminals 1.5Un(10s, 20±5°C)
 绝缘电阻 Insulation resistance IR×C_N≥5000S(60s, 20±5°C, 100V.DC)



常用规格 Dimension												
Un	Cn (μF)	Dimension(mm)						Weight (Kg)	R _{th} (K/W)	ESR (typ) @1KHz (mΩ)	I _{rms} @45°C 10KHz (A)	
		L	B	H	C	d	Output Torque					
400/450 V.AC	3×200	225	120	170	80	7.0	M8×10	8.5NM.MAX	6.3	1.11	3×0.95	3×70
	3×300	225	120	235	100	7.0	M8×10	8.5NM.MAX	8.7	0.86	3×0.89	3×90
	3×400	295	120	235	100	9.0	M10×10	12NM.MAX	11.2	0.71	3×0.82	3×120
	3×500	365	120	235	120	9.0	M10×10	12NM.MAX	14.5	0.60	3×0.79	3×160
500 V.AC	3×120	225	120	170	80	7.0	M8×10	8.5NM.MAX	6.2	1.12	3×1.02	3×50
	3×180	225	120	235	100	7.0	M8×10	8.5NM.MAX	8.7	0.86	3×0.95	3×70
	3×200	225	120	235	100	7.0	M8×10	8.5NM.MAX	7.8	0.95	3×0.92	3×70
550 V.AC	3×240	295	120	235	100	9.0	M10×10	12NM.MAX	11.2	0.71	3×0.82	3×100
	3×300	365	120	235	120	9.0	M10×10	12NM.MAX	14.5	0.60	3×0.84	3×120
	3×90	225	120	170	80	7.0	M8×10	8.5NM.MAX	6.2	1.12	3×1.85	3×50
	3×135	225	120	235	100	7.0	M8×10	8.5NM.MAX	8.7	0.86	3×1.5	3×60
690 V.AC	3×180	295	120	235	100	9.0	M10×10	12NM.MAX	11.2	0.71	3×1.29	3×80
	3×225	365	120	235	120	9.0	M10×10	12NM.MAX	14.5	0.60	3×1.15	3×100
	3×50	225	120	170	80	7.0	M8×10	8.5NM.MAX	6.2	1.12	3×2.03	3×40
	3×75	225	120	235	100	7.0	M8×10	8.5NM.MAX	8.7	0.86	3×1.64	3×60
	3×100	295	120	235	100	9.0	M10×10	12NM.MAX	11.2	0.71	3×1.39	3×80
	3×125	365	120	235	120	9.0	M10×10	12NM.MAX	14.5	0.60	3×1.28	3×100

引用标准 Referenced standard GB/T12747-1, IEC60831-1
 气候类别 Climatic category 40/55/21
 工作温度范围 Operating temperature range -40 ~ 55°C
 存储温度范围 Storage temperature range -40 ~ 85°C
 最高使用海拔 Max. altitude 2000m
 安全等级 Safety Class S1/S2
 放电性能 Discharge performance 3min, <75V

电压范围 Voltage range 400 ~ 690V.AC
 容量范围 Capacitance range 5Kvar ~ 50Kvar
 容量允许偏差 Capacitance tolerance ±5% (J) / ±10% (K)
 损耗角正切值 $\tan\delta$ $\leq 2 \times 10^{-3}$ (100Hz, 1V, 20±5°C)
 耐电压 withstanding voltage
 极壳 Between terminal and case 3000V.AC(10s)
 极间 Between terminals 2.15Un(2s, 20±5°C)
 绝缘电阻 Insulation resistance $IR \times C_n \geq 5000S$ (60s, 20±5°C, 100V.DC)



单相式

三相压接式

三相共补式

常用规格 Dimension

Un	Specification	Cn (μF)	Dimension(mm)		Qn (kvar)	I _{rms} (A)
			ΦD	H		
400V.AC	BGMJ0.4-20-3	398	116	245	20	29

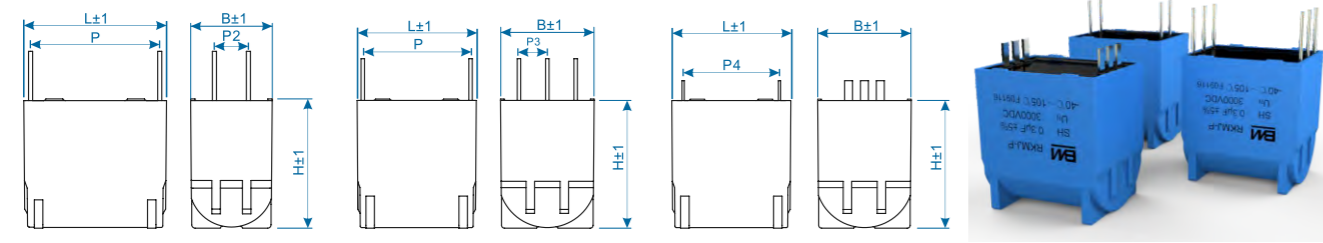
常用规格 Dimension

Un	Specification	Cn (μF)	Dimension(mm)		Qn (kvar)	I _{rms} (A)
			ΦD	H		
415 V.AC	BGMJ0.415-5-3	92.5	76	145	5.0	7.0
	BGMJ0.415-10-3	184.9	76	205	10	13.9
	BGMJ0.415-12-3	221.8	86	205	12	16.7
	BGMJ0.415-15-3	277.3	96	205	15	20.9
	BGMJ0.415-20-3	369.8	106	205	20	27.9
	BGMJ0.415-25-3	462.1	116	205	25	34.8
	BGMJ0.415-30-3	554.5	116	235	30	41.7
	BGMJ0.415-40-3	739.5	136	235	40	55.7
	BGMJ0.415-45-3	831.7	136	250	45	62.8
	BGMJ0.415-50-3	924.1	136	250	50	69.6
450 V.AC	BGMJ0.45-5-3	78.6	76	145	5.0	6.5
	BGMJ0.45-10-3	157.2	76	235	10	12.9
	BGMJ0.45-12-3	188.7	76	250	12	15.4
	BGMJ0.45-15-3	235.8	86	250	15	19.3
	BGMJ0.45-20-3	314.8	96	250	20	25.7
	BGMJ0.45-25-3	393.9	106	250	25	32.1
	BGMJ0.45-30-3	471.6	116	250	30	38.5
	BGMJ0.45-40-3	628.8	116	295	40	51.4
	BGMJ0.45-45-3	707.4	136	280	45	57.8
	BGMJ0.45-50-3	785.9	136	280	50	64.3
480 V.AC	BGMJ0.48-5-3	69.1	76	175	5.0	6.0
	BGMJ0.48-10-3	138.2	76	235	10	12.1
	BGMJ0.48-12-3	165.8	86	235	12	14.4
	BGMJ0.48-15-3	207.3	86	250	15	18.1
	BGMJ0.48-20-3	276.3	106	235	20	24.1
	BGMJ0.48-25-3	345.5	116	235	25	30.1
	BGMJ0.48-30-3	414.5	116	280	30	36.1
	BGMJ0.48-40-3	552.6	136	280	40	48.2
	BGMJ0.48-45-3	621.7	136	280	45	54.5
	BGMJ0.48-50-3	690.8	136	295	50	60.5
525 V.AC	BGMJ0.525-5-3	57.8	76	175	5.0	5.5
	BGMJ0.525-10-3	115.5	76	235	10	11
	BGMJ0.525-12-3	138.6	86	235	12	13.2
	BGMJ0.525-15-3	173.5	96	235	15	16.5
	BGMJ0.525-20-3	231	106	235	20	22
	BGMJ0.525-25-3	288.8	116	235	25	27.5
	BGMJ0.525-30-3	346.5	116	280	30	33
	BGMJ0.525-40-3	462	136	280	40	44
	BGMJ0.525-45-3	520	136	295	45	49.5
	BGMJ0.525-50-3	577.5	136	295	50	55
690 V.AC	BGMJ0.69-5-3	33.4	76	175	5.0	4.5
	BGMJ0.69-10-3	66.9	76	235	10	8.5
	BGMJ0.69-12-3	80.5	86	205	12	10
	BGMJ0.69-15-3	101	86	250	15	12.6
	BGMJ0.69-20-3	133.8	96	250	20	17
	BGMJ0.69-25-3	167.3	116	205	25	21
	BGMJ0.69-30-3	200.8	116	250	30	25
	BGMJ0.69-40-3	267.5	136	250	40	33.5
	BGMJ0.69-45-3	301	136	280	45	37.8
	BGMJ0.69-50-3	334.5	136	280	50	42

可以根据用户需求, 进行其它规格尺寸的产品设计生产; 请告知您的需求, 我们将竭诚服务。

引用标准 Referenced standard GB/T3984, IEC60110
 气候类别 Climatic category 40/105/21
 工作温度范围 Operating temperature range -40 ~ 105°C
 最高使用海拔 Max. altitude 2000m
 预期寿命 Lifetime expectancy 20 000h(U_n, θ_{hs}≤70°C)
 失效率 Failure rate 50FIT

电压范围 Voltage range 1600 ~ 4000V.DC
 容量范围 Capacitance range 0.01 ~ 2μF
 容量允许偏差 Capacitance tolerance ±5% (J) / ±10% (K)
 损耗角正切值 tgδ 10×10⁻⁴
 耐电压 withstanding voltage 1.5Un(10s, 20±5°C)
 绝缘电阻 Insulation resistance IR×C_N≥5 000S(60s, 500V.DC)
 过电压 Over voltage 1.1Un 30% of on-load-dur
 1.15Un 30min/day
 1.2Un 5min/day
 1.3Un 1min/day

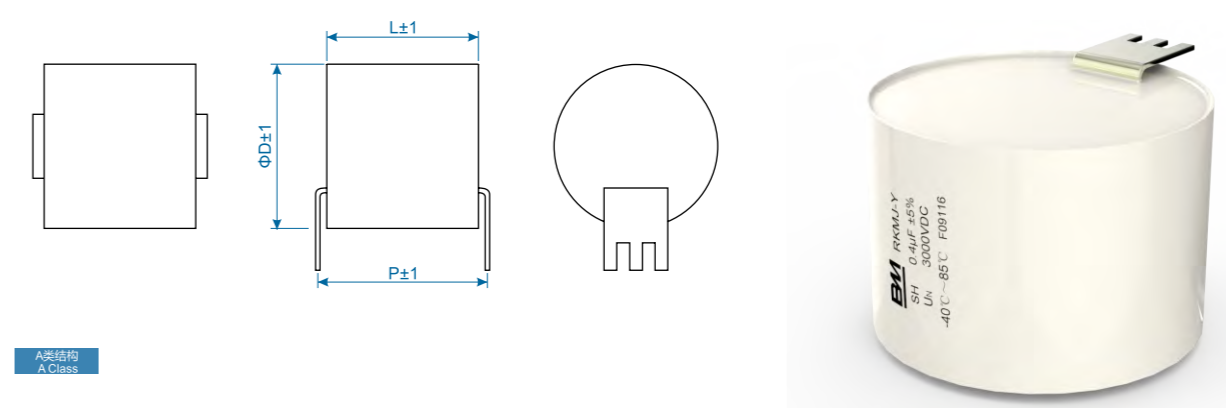


常用规格 Dimension

U _n	C _n (μF)	Dimension(mm)							dv/dt (V/μs)	ESR (typ) @10KHz (mΩ)	I _{peak} (A)	I _{rms} @70°C 100KHz (A)
		L	B	H	P	P2	P3	P4				
3000 V.DC	0.10	42	27	41	38	10	—	—	1000	31	100	20
	0.10	42	27	41	—	—	—	34	1000	31	100	20
	0.15	42	24	38	—	—	—	34	1000	21	150	20
	0.15	42	24	38	38	10	—	—	1000	21	150	20
	0.15	42	33	45.5	—	—	10	—	1000	21	150	30
	0.18	42	24	38	38	10	—	—	1000	17	180	20
	0.18	42	24	38	—	—	—	34	1000	17	180	20
	0.18	42	33	45.5	38	—	10	—	1000	17	180	30
	0.20	42	27	41	—	—	—	34	1000	16	200	20
	0.20	42	33	45.5	—	—	—	34	1000	17	200	30
	0.20	42	36	52	38	—	10	—	1000	17	200	35
	0.22	42	27	41	—	—	—	34	1000	15	220	20
	0.22	42	27	41	38	10	—	—	1000	15	220	20
	0.22	42	33	45.5	—	—	—	34	1000	15	220	30
	0.24	42	33	45.5	38	—	10	—	1000	14	240	30
	0.24	42	27	41	—	—	—	34	1000	14	240	20
	0.27	42	33	45.5	—	—	—	34	1000	12	270	30
	0.27	42	33	45.5	38	—	10	—	1000	12	270	30
	0.30	42	33	45.5	—	—	—	34	1000	11	300	30
	0.30	42	33	45.5	38	—	10	—	1000	11	300	30
	0.30	42	36	52	—	—	—	34	1000	11	300	35
	0.33	42	33	45.5	38	—	10	—	1000	10	330	30
	0.33	42	33	45.5	—	—	—	34	1000	10	330	30
	0.35	42	33	45.5	38	—	10	—	1000	9.0	350	30
0.35	42	33	45.5	—	—	—	34	1000	9.0	350	30	
0.39	42	33	45.5	38	—	10	—	1000	8.5	390	30	
0.40	42	36	52	—	—	—	34	1000	8.0	400	35	
0.45	42	36	52	38	—	10	—	1000	7.5	450	35	
0.45	42	36	52	—	—	—	34	1000	7.5	450	35	
4000 V.DC	0.10	42	27	41	38	10	—	—	1000	31	100	20
	0.10	42	27	41	—	—	—	34	1000	31	100	20
	0.15	42	24	38	—	—	—	34	1000	21	150	20
	0.15	42	24	38	38	10	—	—	1000	21	150	20
	0.15	42	33	45.5	—	—	10	—	1000	21	150	30
	0.18	42	24	38	38	10	—	—	1000	17	180	20
	0.18	42	24	38	—	—	—	34	1000	17	180	20
	0.18	42	33	45.5	38	—	10	—	1000	17	180	30
	0.20	42	27	41	—	—	—	34	1000	16	200	20
	0.20	42	33	45.5	—	—	—	34	1000	17	200	30
	0.20	42	36	52	38	—	10	—	1000	17	200	35
	0.22	42	27	41	—	—	—	34	1000	15	220	20
	0.22	42	27	41	38	10	—	—	1000	15	220	20
	0.22	42	33	45.5	—	—	—	34	1000	15	220	30
	0.24	42	33	45.5	38	—	10	—	1000	14	240	30
	0.24	42	27	41	—	—	—	34	1000	14	240	20
	0.27	42	33	45.5	—	—	—	34	1000	12	270	30
	0.27	42	33	45.5	38	—	10	—	1000	12	270	30
	0.30	42	33	45.5	—	—	—	34	1000	11	300	30
	0.30	42	33	45.5	38	—	10	—	1000	11	300	30
	0.30	42	36	52	—	—	—	34	1000	11	300	35
	0.33	42	33	45.5	38	—	10	—	1000	10	330	30
	0.33	42	33	45.5	—	—	—	34	1000	10	330	30
	0.35	42	33	45.5	38	—	10	—	1000	9.0	350	30
0.35	42	33	45.5	—	—	—	34	1000	9.0	350	30	
0.39	42	33	45.5	38	—	10	—	1000	8.5	390	30	
0.40	42	36	52	—	—	—	34	1000	8.0	400	35	
0.45	42	36	52	38	—	10	—	1000	7.5	450	35	
0.45	42	36	52	—	—	—	34	1000	7.5	450	35	

引用标准 Referenced standard GB/T3984, IEC60110
 气候类别 Climatic category 40/85/21
 工作温度范围 Operating temperature range -40 ~ 85°C
 最高使用海拔 Max. altitude 2000m
 预期寿命 Lifetime expectancy 20 000h(U_n, θ_{hs}≤70°C)
 失效率 Failure rate 50FIT

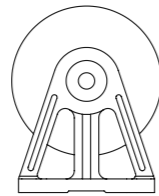
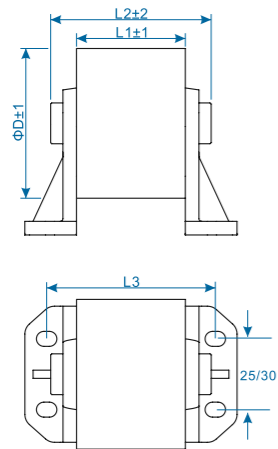
电压范围 Voltage range 1000 ~ 4000V.DC
 容量范围 Capacitance range 0.01 ~ 10μF
 容量允许偏差 Capacitance tolerance ±5% (J) / ±10% (K)
 损耗角正切值 tgδ 10×10⁻⁴
 耐电压 withstanding voltage 1.5Un
 绝缘电阻 Insulation resistance IR×C_N≥5 000S(60s, 500V.DC)
 过电压 Over voltage 1.1Un 30% of on-load-dur
 1.15Un 30min/day
 1.2Un 5min/day
 1.3Un 1min/day



A类结构
A Class

常用规格 Dimension

U _n	C _n (μF)	Dimension(mm)			dv/dt (V/μs)	ESR (typ) @10KHz (mΩ)	I _{peak} (A)	I _{rms} @70°C 100KHz (A)
		ΦD	L	P				
1600 V.DC	0.20	30	30	34	1000	23	200	20
	0.30	35	30	34	1000	16	300	30
	0.33	37	30	34	1000	15	330	30
	0.35	38	30	34	1000	14	350	30
	0.36	39	30	34	1000	13.5	360	30
	0.40	40	30	34	1000	12	400	35
	0.43	42	30	34	1000	11	430	35
	0.44	44	30	34	1000	10.5	440	35
	0.50	45	30	34	1000	9.5	500	35
	0.53	46	30	34	1000	9.0	530	35
	0.54	47	30	34	1000	8.5	540	40
	0.60	48	30	34	1000	8.0	600	40
	0.70	53	30	34	1000	7.0	700	45
	2000 V.DC	0.20	30	30	34	1000	23	200
0.30		35	30	34	1000	16	300	30
0.33		37	30	34	1000	15	330	30
0.35		38	30	34	1000	14	350	30
0.36		39	30	34	1000	13.5	360	30
0.40		40	30	34	1000	12	400	35
0.43		42	30	34	1000	11	430	35
0.44		44	30	34	1000	10.5	440	35
0.50		45	30	34	1000	9.5	500	35
0.53		46	30	34	1000	9.0	530	35
3000 V.DC	0.20	30	30	34	1000	23	200	20
	0.22	31	40	44	1200	21	264	25
	0.35	38	40	44	1200	13.5	420	30
	0.40	41	40	44	1200	12	480	35
	0.47	45	40	44	1200	10	564	40
	0.54	47	40	44	1200	9.0	648	40
	0.65	52	40	44	1200	8.0	780	45

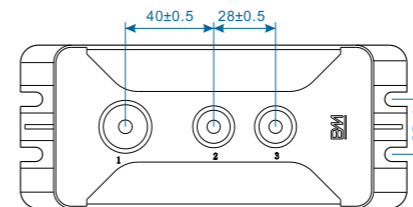
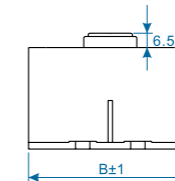
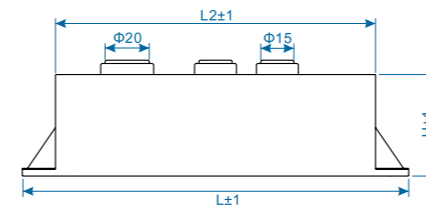


B类结构
B Class

常用规格 Dimension										
Un	Cn (μF)	Dimension(mm)				dv/dt (V/μs)	ESR (typ) @10KHz (mΩ)	Ipeak (A)	Irms @70°C 100KHz (A)	
		D	L1	L2	L3					
3000 V.DC	0.10	47	40	62	62	1000	21	100	40	
	0.24	80	40	62	62	1000	19	240	80	
	0.30	45	40	62	62	1000	16	300	40	
	0.30	78	40	62	62	1000	16	300	80	
	0.32	80	40	62	62	1000	15.5	320	80	
	0.33	62	40	62	62	1000	15	330	60	
	0.35	80	40	62	62	1000	14	350	80	
	0.44	61	40	62	62	1000	10	440	60	
	0.47	72	40	62	62	1000	10	470	80	
	0.47	57	40	62	62	1000	10	470	60	
	0.50	74	40	62	62	1000	9.5	500	80	
	0.50	63	40	62	62	1000	9.5	500	60	
	0.60	75	40	62	62	1000	8.0	600	80	
	0.70	56	40	62	62	1000	7.0	700	60	
	0.70	77	40	62	62	1000	7.0	700	80	
	0.75	56	40	62	62	1000	6.5	750	65	
0.75	78	40	62	62	1000	6.5	750	80		
0.80	75	40	62	62	1000	6.0	800	80		
0.90	75	40	62	62	1000	5.5	900	80		
1.0	78	40	62	62	1000	5.0	1000	80		
1.2	79	40	62	62	1000	4.5	1200	80		
1.35	74	40	62	62	1000	3.5	1350	80		
4000 V.DC	0.10	47	40	62	62	1000	21	100	40	
	0.24	80	40	62	62	1000	19	240	80	
	0.30	45	40	62	62	1000	16	300	40	
	0.30	78	40	62	62	1000	16	300	80	
	0.32	80	40	62	62	1000	15.5	320	80	
	0.33	62	40	62	62	1000	15	330	60	
	0.35	80	40	62	62	1000	14	350	80	
	0.44	61	40	62	62	1000	10	440	60	
	0.47	72	40	62	62	1000	10	470	80	
	0.47	57	40	62	62	1000	10	470	60	
	0.50	74	40	62	62	1000	9.5	500	80	
	0.50	63	40	62	62	1000	9.5	500	60	
	0.60	75	40	62	62	1000	8.0	600	80	
	0.70	56	40	62	62	1000	7.0	700	60	
	0.70	77	40	62	62	1000	7.0	700	80	
	0.75	56	40	62	62	1000	6.5	750	65	
0.75	78	40	62	62	1000	6.5	750	80		
0.80	75	40	62	62	1000	6.0	800	80		
0.90	75	40	62	62	1000	5.5	900	80		
1.0	78	40	62	62	1000	5.0	1000	80		
1.2	79	40	62	62	1000	4.5	1200	80		
1.35	74	40	62	62	1000	3.5	1350	80		

引用标准 Referenced standard GB/T3984, IEC60110
 气候类别 Climatic category 40/105/21
 工作温度范围 Operating temperature range -40 ~ 105°C
 最高使用海拔 Max. altitude 2000m
 预期寿命 Lifetime expectancy 20 000h(Un, θns≤70°C)
 失效率 Failure rate 50FIT

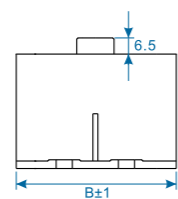
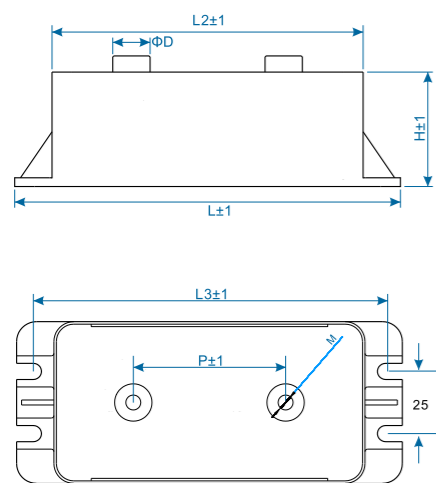
电压范围 Voltage range 1600 ~ 6000V.DC
 容量范围 Capacitance range 0.1 ~ 10μF
 容量允许偏差 Capacitance tolerance ±5% (J) / ±10% (K)
 损耗角正切值 tgδ 10×10⁻⁴
 耐电压 withstanding voltage 1.5Un(10s, 20±5°C)
 绝缘电阻 Insulation resistance 1R×Cn≥5 000S(60s, 500V.DC)
 过电压 Over voltage
 1.1Un 30% of on-load-dur
 1.15Un 30min/day
 1.2Un 5min/day
 1.3Un 1min/day



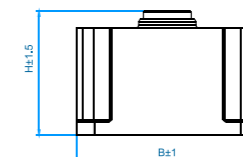
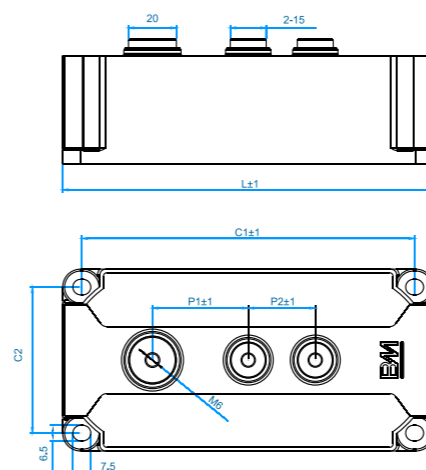
A类结构
A Class



常用规格 Dimension											
Un	Cn (μF)	Dimension(mm)				dv/dt (V/μs)	ESR (typ) @10KHz (mΩ)	Ipeak (A)	Irms @70°C 100KHz (A)	推荐使用设备功率 (KW)	
		L	B	H	L2						
2000 V.DC	2×0.68	178	78	35	153	1000	16	680	2×70	15~25	
	2×1.0	178	78	35	153	1000	11	1000	2×80	15~30	
	2×1.2	178	78	35	153	1000	9.5	1200	2×70	15~30	
	2×1.4	178	78	35	153	1000	8.0	1400	2×80	15~30	
	2×1.6	178	78	35	153	1000	7.0	1600	2×80	25~30	
3000 V.DC	2×1.9	178	78	35	153	1000	5.0	1900	2×80	25~30	
	2×0.5	155	65	45	125	1200	10	600	2×60	10~15	
	2×0.6	155	65	45	125	1200	8.0	720	2×60	15~20	
	2×0.7	155	65	45	125	1200	7.0	840	2×60	15~20	
	2×0.8	175	74	45	145	1200	6.0	960	2×70	15~20	
	2×0.9	175	74	45	145	1200	5.5	1080	2×80	25~30	
	2×1.0	175	74	45	145	1200	5.0	1200	2×80	25~30	
	2×1.2	175	74	45	145	1200	4.0	1440	2×80	25~30	
	2×1.3	175	74	45	145	1200	3.5	1560	2×80	25~30	
	2×1.4	175	74	45	145	1200	3.0	1680	2×80	25~30	
2×1.5	175	74	45	145	1200	3.0	1800	2×80	25~30		



B类结构
B Class



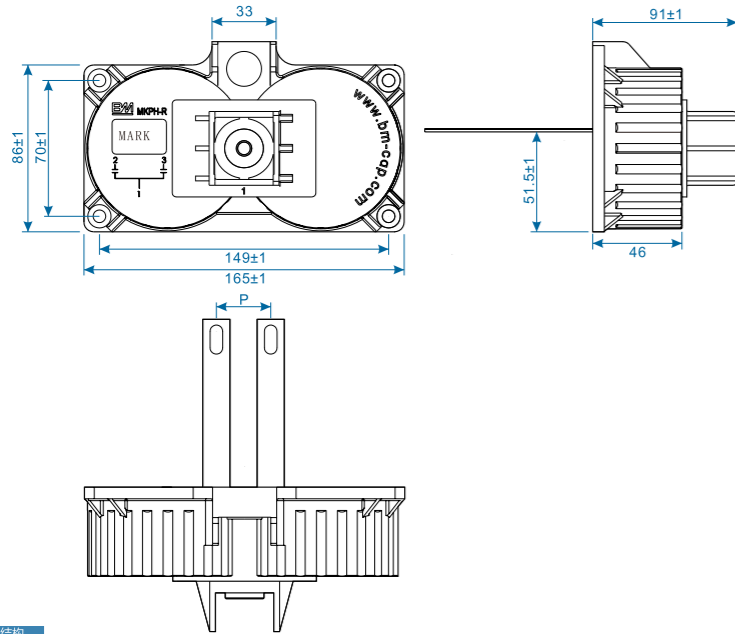
C类结构
C Class

常用规格 Dimension													
Un	Cn (μF)	Dimension(mm)								dv/dt (V/μs)	ESR (typ) @10KHz (mΩ)	Ipeak (A)	Irms @70°C 100KHz (A)
		L	B	H	L2	L3	P	D	M				
3600 V.DC	0.60	155	65	46	125	141.5	56	15	M6	1000	8.0	600	100
	0.70	155	65	46	125	141.5	56	15	M6	1000	7.0	700	100
	0.80	155	65	46	125	141.5	56	15	M6	1000	6.0	800	100
	0.90	155	65	46	125	141.5	56	15	M6	1000	5.5	900	100
	1.0	155	65	46	125	141.5	56	15	M6	1000	5.0	1000	100
	1.2	175	74	46	145	161.5	56	15	M6	1000	4.0	1200	100
4000V.DC	1.4	175	74	46	145	161.5	56	15	M6	1000	4.0	1300	100
	0.30	175	75	30	145	161.5	56	15	M6	1000	16	300	70
6000 V.DC	0.43	195	84	45	165	181.5	80	20	M8	1200	15	516	80
	0.50	210	90	84	180	196.5	80	20	M8	1200	13	600	160
	0.85	210	90	84	180	196.5	80	20	M8	1200	7.5	1020	160
	1.0	210	90	84	180	196.5	80	20	M8	1200	6.5	1200	160
	1.1	210	90	84	180	196.5	80	20	M8	1200	6.0	1320	160
	1.2	210	90	84	180	196.5	80	20	M8	1200	5.5	1440	160
	1.3	210	90	84	180	196.5	80	20	M8	1200	5.0	1560	160

常用规格 Dimension													
Un	Cn (μF)	Dimension(mm)							dv/dt (V/μs)	ESR (typ) @10KHz (mΩ)	Ipeak (A)	Irms @70°C 50 KHz (A)	推荐使用设备功率 (KW)
		L	B	H	C1	C2	P1	P2					
3000 V.DC	2×0.24	120	58.5	51	106.5	46	36	23	1000	25	240	2 × 4 0	5~8
	2×0.27	120	58.5	51	106.5	46	36	23	1000	25	270	2 × 4 0	5~8
	2×0.30	120	58.5	51	106.5	46	36	23	1000	19	300	2 × 4 0	8~12
	2×0.39	120	58.5	51	106.5	46	36	23	1000	15	390	2 × 4 5	8~12
	2×0.48	120	58.5	51	106.5	46	36	23	1000	12	480	2 × 4 5	12~15
	2×0.50	120	58.5	51	106.5	46	36	23	1000	12	500	2 × 4 5	12~15
	2×0.60	120	58.5	51	106.5	46	36	23	1000	10	600	2 × 4 5	12~15
	2×0.80	155	76	51	139	61	40	28	1000	9.0	800	2 × 7 0	20~30
	2×0.90	155	76	51	139	61	40	28	1000	8.0	900	2 × 8 0	20~30
	2×0.96	155	76	51	139	61	40	28	1000	8.0	960	2 × 8 0	20~30
	2×1.0	155	76	51	139	61	40	28	1000	8.0	1000	2 × 8 0	20~30
	2×1.2	155	76	51	139	61	40	28	1000	6.0	1200	2 × 8 0	20~30
2×1.4	155	76	51	139	61	40	28	1000	5.0	1200	2 × 8 0	20~30	

引用标准 Referenced standard	GB/T3984, IEC60110
气候类别 Climatic category	40/105/21
工作温度范围 Operating temperature range	-40 ~ 105°C
最高使用海拔 Max. altitude	2000m
预期寿命 Lifetime expectancy	20 000h(U _n , θ _{hs} ≤70°C)
失效率 Failure rate	50FIT

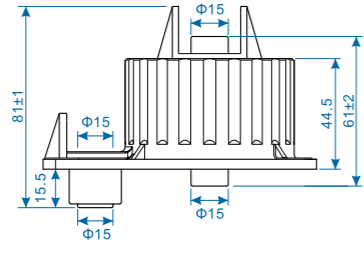
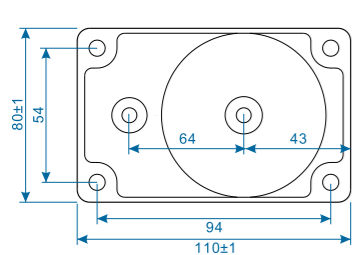
电压范围 Voltage range	2000 ~ 4000V.DC
容量范围 Capacitance range	2×0.4 ~ 2×2μF
容量允许偏差 Capacitance tolerance	±5% (J) / ±10% (K)
损耗角正切值 tgδ	7×10 ⁻⁴
耐电压 withstanding voltage	1.5Un(10s,20±5°C)
绝缘电阻 Insulation resistance	IR×C _n ≥5 000S(60s,500V.DC)
过电压 Over voltage	1.1Un 30% of on-load-dur 1.15Un 30min/day 1.2Un 5min/day 1.3Un 1min/day 1.5Un 100ms each time



A类结构 A Class

常用规格 Dimension

Un	C _n (μF)	Dimension(mm)		dv/dt (V/μs)	ESR @10KHz (mΩ)	I _{peak} (A)	I _{rms} @70°C 100KHZ (A)	推荐使用 设备功率 (KW)	Partnumber
		P							
3000/ 4000 V.DC	2×0.4	22		1000	16	400	2×40	10~12	1GRZ440-2D3000***
	2×0.6	22		1000	11	600	2×50	15~20	1GRZ460-2D3000***
	2×0.7	28		1000	9.0	700	2×60	15~20	1GRZ470-2D3000***
	2×0.8	28		1000	8.0	800	2×60	15~20	1GRZ480-2D3000***
	2×1.0	28		1000	6.5	1000	2×80	25~30	1GRZ510-2D3000***
	2×1.2	28		1000	5.5	1200	2×100	25~30	1GRZ512-2D3000***
	2×1.4	28		1000	4.5	1400	2×100	25~30	1GRZ514-2D3000***



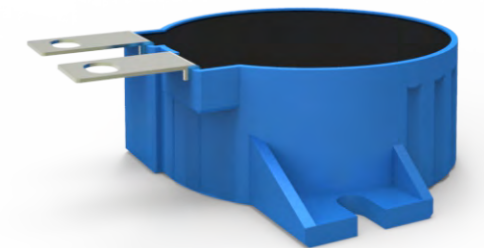
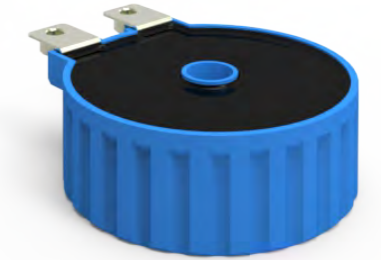
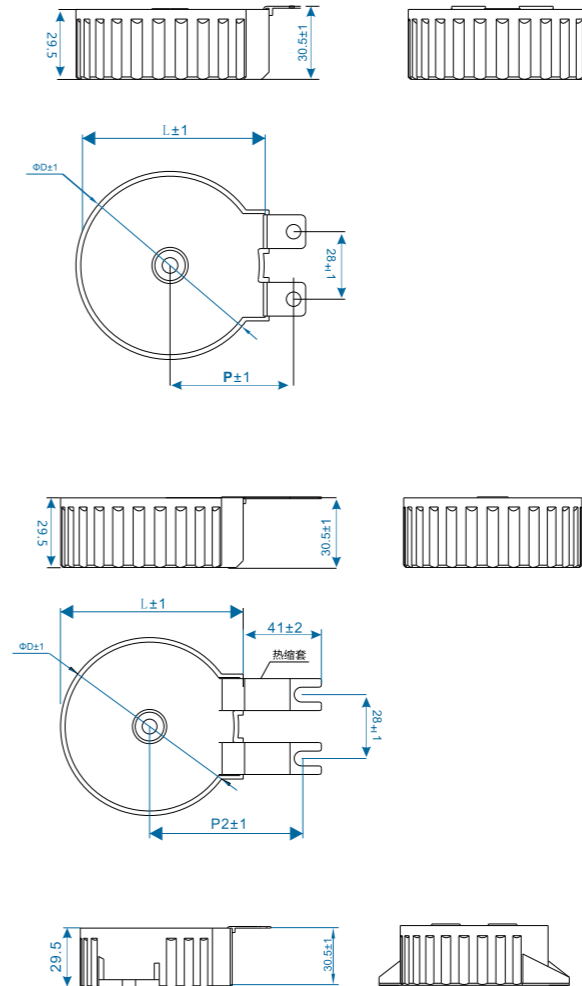
B类结构 B Class

常用规格 Dimension

Un	C _n (μF)	dv/dt (V/μs)	ESR @10KHz (mΩ)	I _{peak} (A)	I _{rms} @70°C 100KHZ (A)	推荐使用 设备功率 (KW)
3000 V.DC	0.66	1000	8.0	660	60	10~20
	0.90	1000	5.0	900	90	20~25
	1.05	1000	4.5	1050	100	20~25

引用标准 Referenced standard	GB/T17702, IEC61071
气候类别 Climatic category	40/85/21
工作温度范围 Operating temperature range	-40 ~ 85°C
最高使用海拔 Max. altitude	2000m
预期寿命 Lifetime expectancy	20 000h(U _n , θ _{hs} ≤70°C)
失效率 Failure rate	50FIT

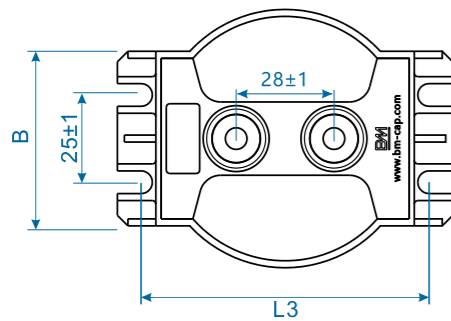
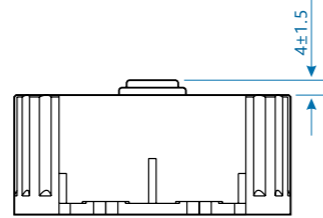
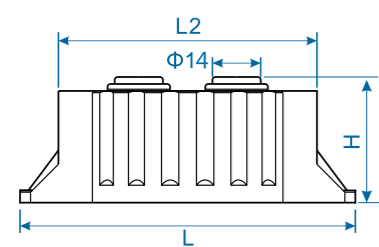
电压范围 Voltage range	500 ~ 1200V.DC
容量范围 Capacitance range	15 ~ 100μF
容量允许偏差 Capacitance tolerance	±5% (J) / ±10% (K)
损耗角正切值 tgδ	2×10 ⁻³
耐电压 withstanding voltage	1.5Un(10s,20±5°C)
绝缘电阻 Insulation resistance	IR×C _n ≥5 000S(60s,20±5°C,100V.DC)
过电压 Over voltage	1.1Un 30% of on-load-dur 1.15Un 30min/day 1.2Un 5min/day 1.3Un 1min/day



A类结构 A Class

常用规格 Dimension

Un	C _n (μF)	Dimension(mm)				dv/dt (V/μs)	ESR (typ) @10KHz (mΩ)	I _{peak} (A)	I _{rms} @70°C 100KHZ (A)
		D	L	P	P2				
800 V.DC	20	66	68.5	—	68.5	50	2	1000	40
	20	66	68.5	43	—	50	2	1000	40
	30	77	79.5	—	75	50	2	1500	50
	30	77	79.5	50	—	50	2	1500	50



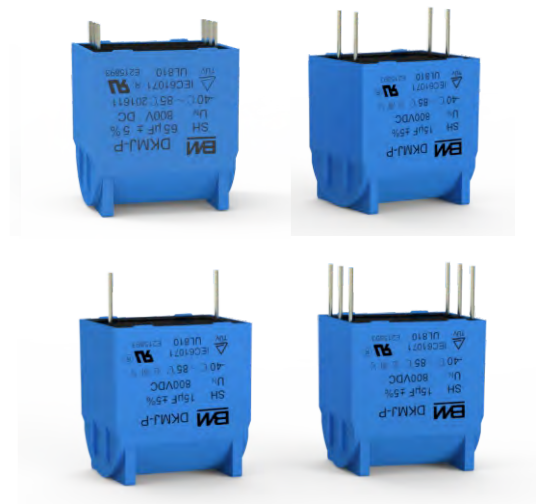
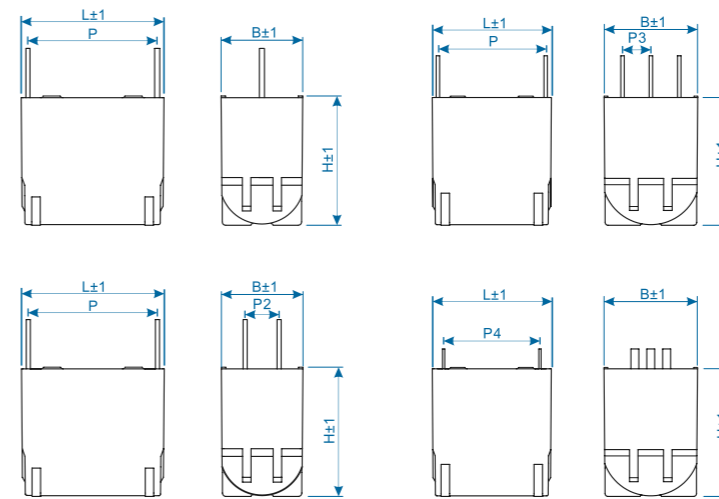
B类结构
B Class



常用规格 Dimension										
Un	Cn (μF)	Dimension(mm)					dv/dt (V/μs)	ESR (typ) @10KHz (mΩ)	Ipeak (A)	Irms @70°C 100KHz (A)
		L	B	H	L2	L3				
800 V.DC	20	96	50	36	74	82	50	2.0	1000	40
	30	96	50	36	74	82	50	2.0	1500	50

引用标准 Referenced standard	GB/T17702, IEC61071
气候类别 Climatic category	40/85/21
工作温度范围 Operating temperature range	-40~85°C
最高使用海拔 Max.altitude	2000m
预期寿命 Lifetime expectancy	20 000h(Un, θns≤70°C)
失效率 Failure rate	50FIT

电压范围 Voltage range	500~1200V.DC
容量范围 Capacitance range	2~100μF
容量允许偏差 Capacitance tolerance	±5% (J) / ±10% (K)
损耗角正切值 tgδ	2×10 ⁻³
耐电压 withstanding voltage	1.5Un(10s, 20±5°C)
绝缘电阻 Insulation resistance	IR×Cn≥5 000S(60s, 20±5°C, 100V.DC)
过电压 Over voltage	1.1Un 30% of on-load-dur 1.15Un 30min/day 1.2Un 5min/day 1.3Un 1min/day



常用规格 Dimension

Un	Cn (μF)	Dimension(mm)							dv/dt (V/μs)	ESR (typ) @10KHz (mΩ)	Ipeak (A)	Irms @70°C 50KHz (A)
		L	B	H	P	P2	P3	P4				
800 V.DC	2.2	36	17	26	31	-	-	-	100	10	220	8.0
	3.3	36	19.5	32	31	-	-	-	100	9.5	330	9.0
	5.0	46	23.5	38	41	-	-	-	50	25	250	12
	5.0	42	24	38	-	-	-	33	50	22	250	15
	5.0	42	24	38	38	10	-	-	50	22	250	15
	8.0	48	26	37	41	-	-	-	50	8.0	400	9.0
	8.0	42	27	41	38	10	-	-	50	8.0	400	20
	10	42	33	45.5	-	-	-	33	40	7.0	400	30
	10	42	33	45.5	38	-	10	-	40	7.0	400	30
	10	46	23.5	38	41	-	-	-	40	8.0	400	12
	15	42	36	52	38	-	10	-	40	5.0	600	30
	15	42	36	52	-	-	-	28	40	5.0	600	30
	30	42.5	30	45	38	20	-	-	20	3.5	600	25
	50	58	35	50	52.5	20	-	-	20	2.8	1000	20