

# 1400N series

Momentary pushbutton switches - snap-in mounting - square plunger

*Distinctive features and specifications*

UG1006-A



- Butt action contacts, double break
- Solder lug, straight PC and quick-connect terminals

## ELECTRICAL SPECIFICATIONS

- Max. current/voltage rating with resistive load :
  - silver contacts (A) : 6A 12VDC
  - silver plated copper contacts (C) : 3A 12VDC
- Initial contact resistance : 10 m $\Omega$
- Insulation resistance : 1.000 M $\Omega$  min. at 500VDC
- Dielectric strength :
  - 1.500 Vrms 50 Hz min. between terminals
  - 2.000 Vrms 50 Hz min. between terminals and metal panel
- Electrical life : 10.000 cycles at full load

## MATERIALS

- Case : polyamide
- Plunger : polyamide
- Contacts :
  - A : silver
  - C : copper, silver plated

## GENERAL SPECIFICATIONS

- Panel thickness : 2 mm (.078) max.
- Operating temperature : -20°C to +55°C

**Dimensions** : first dimensions are in mm while inches are shown as bracketted numbers.

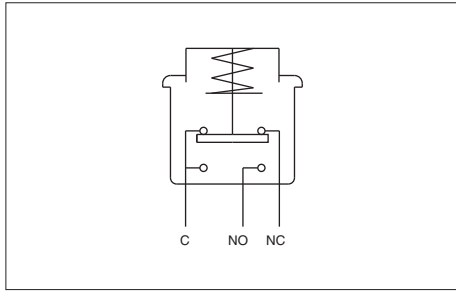


**Packaging unit** : 60 pieces.

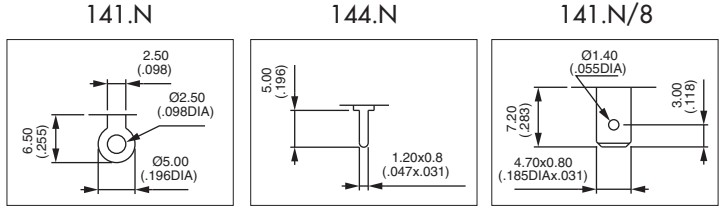
# 1400N series

Momentary pushbutton switches - snap-in mounting - square plunger

Solder lug, straight PC or quick-connect terminals



• Single pole configurations

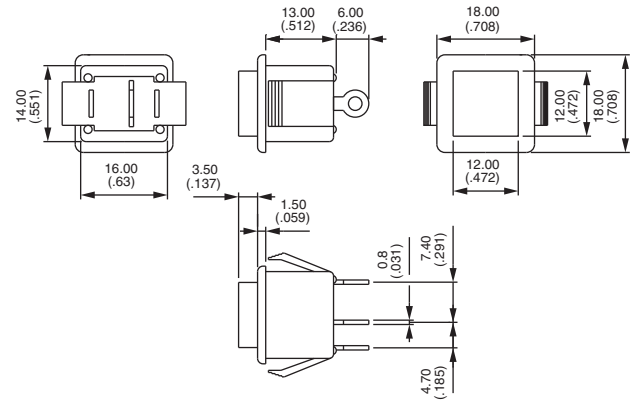
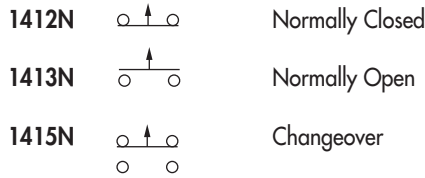


MODEL STRUCTURE

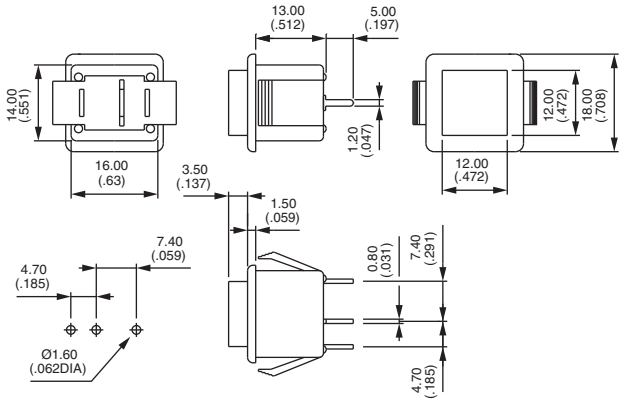
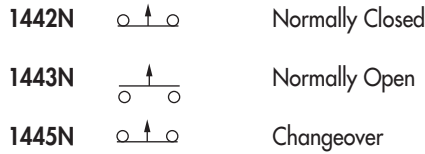


B

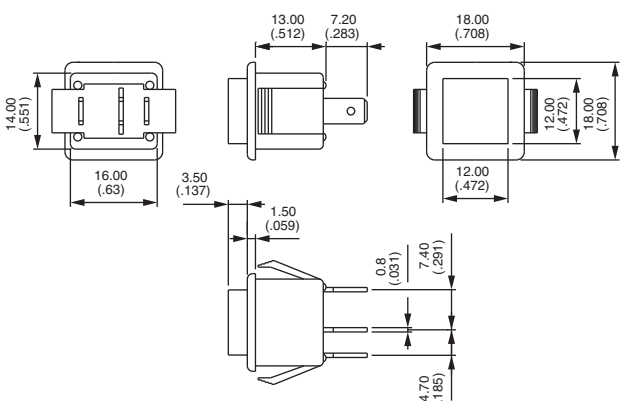
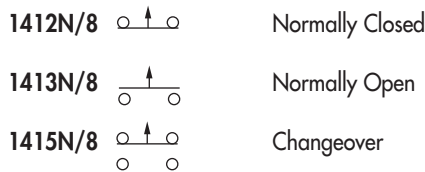
## Solder lug terminals



## Straight PC terminals



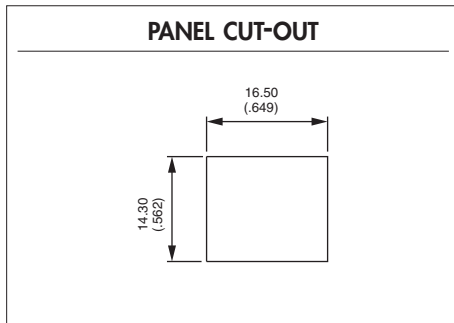
## Quick-connect terminals 4,7 x 0,8 (.185 x .031)





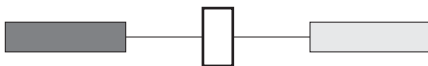
# 1400N series

Momentary pushbutton switches - snap-in mounting - square plunger



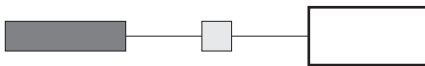
B

## CONTACT MATERIALS



- A Silver
- C Copper, silver plated

## PLUNGER COLOURS



- 2 Black (standard)
- 3 Green
- 6 Red
- 7 Ivory



Switch frame supplied in black.