



APstorage Sea Family ELS Series PCS

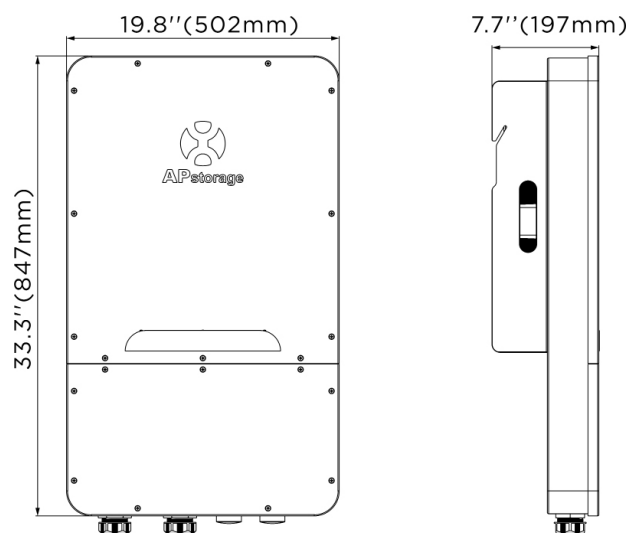
ELS-5K for residential storage

- Nominal Power Rating up to 5000VA
- Peak Backup Power up to 7500VA
- Max Efficiency up to 96.5%
- 48V Low Battery Voltage Input

PRODUCT FEATURES

APstorage introduces its 1st generation of smart Power Conversion Systems with the ELS-5K battery charger solution. Together with compatible low voltage batteries connected, it becomes the ideal AC coupling storage solution for residential PV applications. With automatic energy management features based on intelligent software and integrated monitoring, system owners can choose between back-up, self-consumption and peak valley time modes to secure critical loads during power outages and maximize energy savings for their houses.

DIMENSIONS



Datasheet | ELS Series PCS ELS-5K

Model

ELS-5K

Region

NA

General Specifications

Dimensions W/H/D	33.3"×19.8"×7.7" (847×502×197mm)
Weight	66lbs (30kg)
Maximum Efficiency	96.5%
Temperature Range	-25°C-65°C (-13°F-149°F)
Ingress Protection	Type 4X
Relative Humidity	10%-90%
Ventilation	Natural convection
Communication Ports	Ethernet/ Wireless/RS485/CAN
Parallel Function	Yes
Grid Regulation Safety and EMC Compliance	UL1741; CSA C22.2 No. 107.1-16; CA Rule21(UL1741SA); ANSI/CAN/UL-9540(For energy storage system) FCC part15; ICES-003

Battery Input/Output Data

DC Battery Input Voltage	40.0-60.0VDC
Battery Capacity	50-800Ah
Charging Strategy for Li-Ion Battery	Self-adaption to BMS
Max Continuous Charge Current	100A
Max Continuous Discharge Current	100A

AC Output Data (On-grid)

Max. Continuous Output Power	5000VA
Max. Continuous Output Current	20.8A
Max. Continuous Current From Utility Grid	40.6A
Max. Output Fault Current (AC) and Duration	60.66Apk, 10.5ms; 9.32Arms @3cycles; 7.23Arms @5cycles
Nominal Output Voltage	240V
Adjustable Output Voltage Range	211V-264V ⁽¹⁾
Nominal Output Frequency/Range	60Hz/59.3-60.5Hz ⁽¹⁾
Output Power Factor	>0.99(Adjustable from 0.8 leading to 0.8 lagging)
THD	<3%
Grid Connection	Single-phase

AC Output Data (Backup)

Max. Output Apparent Power@240V	5000VA
Peak Output Apparent Power@240V	7500VA(10s)
Max. Output Current	20.8A
Nominal Output Voltage L1-L2/L-N	240VAC/120VAC (with external transformer)
Nominal Output Frequency	60Hz

(1) Voltage/frequency range can be adjusted if required by local utility

© All Rights Reserved

Specifications subject to change without notice please ensure you are using the most recent update found at web : usa.APsystems.com

APsystems America

8701 N. Mopac Expy, Ste 160, Austin, TX 78759

Mail: info.usa@APsystems.com

usa.APsystems.com