



CHARACTERISTIC OF FLOODED RECHARGEABLE LEAD ACID BATTERY

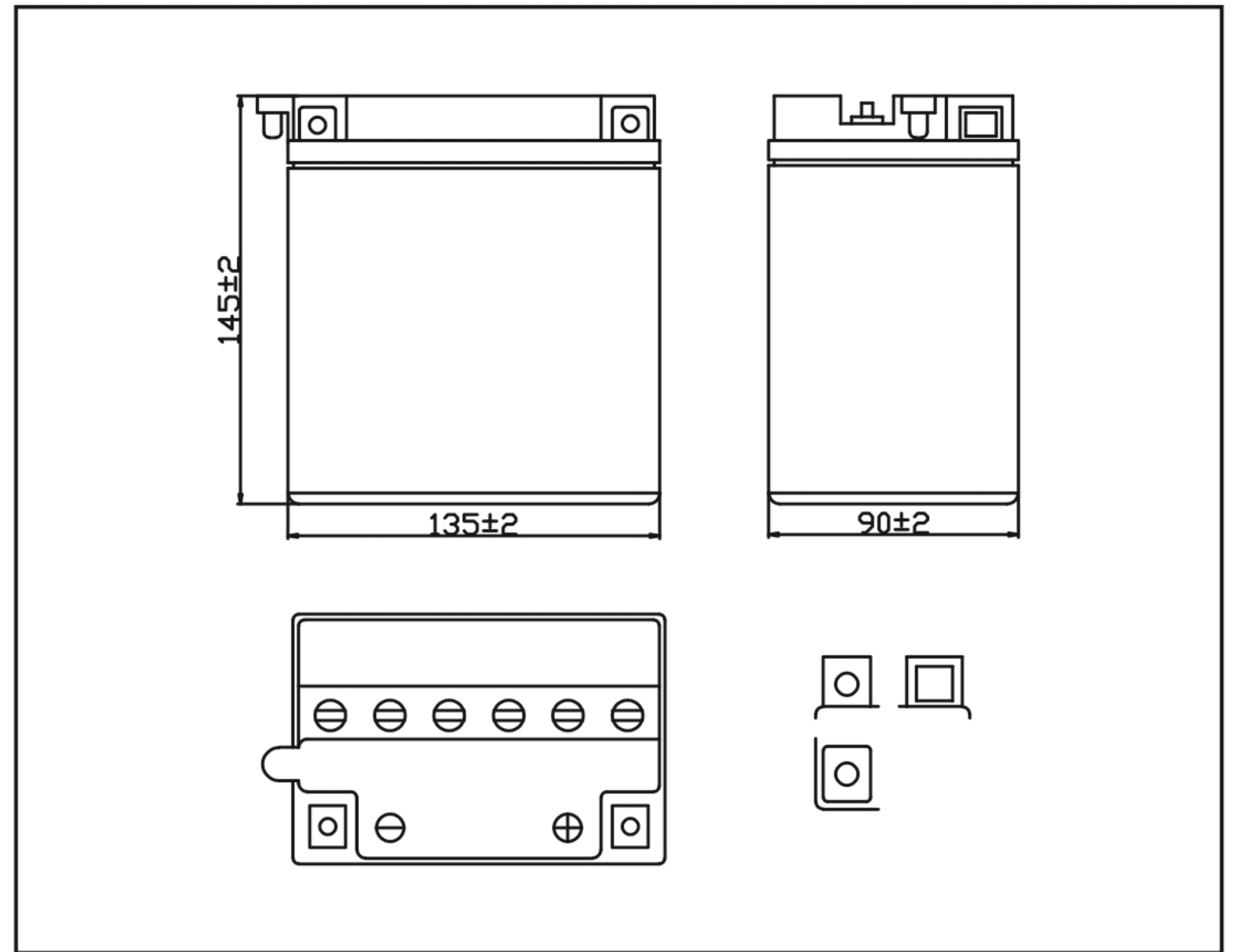
MODEL: YB10L-A2

NO.:301020003-00190



Plane Chart:

Unit:mm Terminal type:G3



Parts:

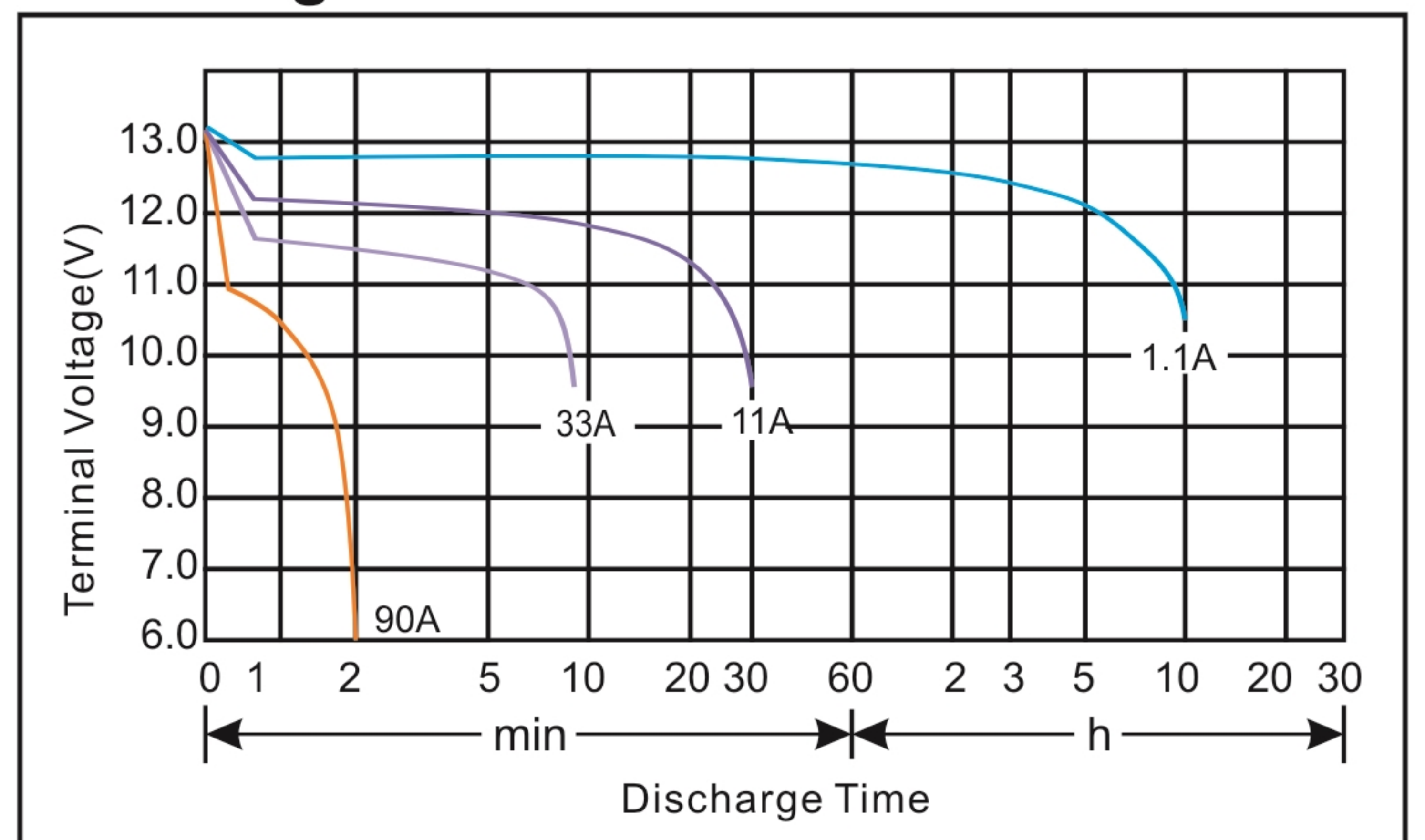
Executed Standard:JISD 5302-2004

Cover	Container Bottom	Terminal	Positive Plate	Negative Plate	Separator	Electrolyte	Safety Valve	Explosion Plate	Way of Sealing
PP	PP	Pb	PbO ₂	Pb	PE/ Compound Fibre	dilute sulphuric acid	Rubber	PP	Heat Sealing

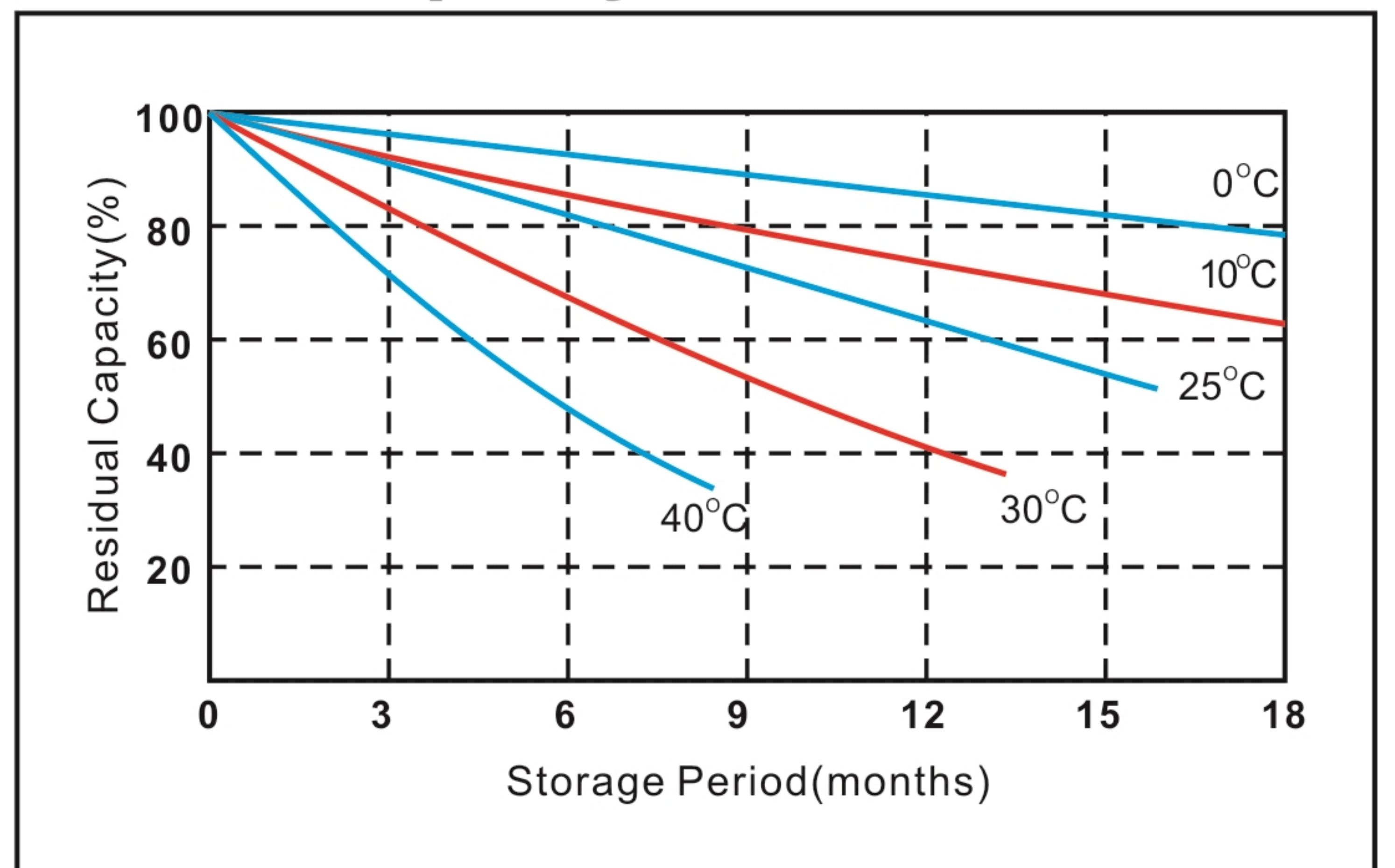
Parameter Chart:

Volts	12V	
Capacity (25°C)	10 hours rate	11Ah
Appx.Dimension (mm)	L±2	135
	W±2	90
	H±2	145
Storage Status	Dry	
Weight (Approx)	2.62Kg	Weight w/ Acid 1.03Kg
Retention of Charge Storage @25°C		
1 month	97%	Directly Mounted
3 month	90%	Directly Mounted
6 month	80%	Constant Volts:14.4V Limit Current:2.2A Charging Hours:2-3H
12 month	40%	Constant Volts:14.4V Limit Current:2.2A Charging Hours:4-6H
CCA	Factory Standard (-10°C)	Factory Standard (-18°C)
Discharging Current	90A	130A

Discharge Current 25°C



Residual Capacity



★The above are average and data obtained from the first 3 charge/discharge cycles. These are not minimum values.

★The different item No. of battery can be developed according to the customer's demand.