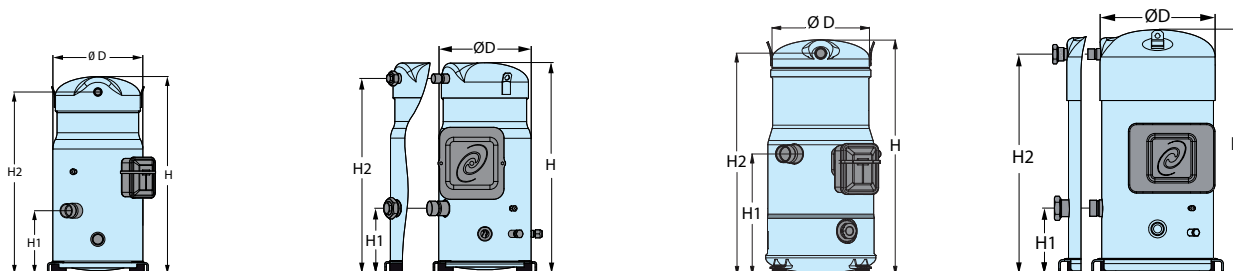




Performer[®] scroll compressors

SM - SY - SZ

R407C - R134a - R22 - 50 Hz

PRODUCT RANGE SINGLE COMPRESSORS


	D	H	H1	H2
S084-090-100	254	508	142	465
S110-120	254	558	178	515
S148-161	266	591	180	556

	D	H	H1	H2
S115-125	254	581	180	538
S160	266	631	180	596
S175-S185	316	678	180	641

	D	H	H1	H2
S124-147	243	540	278	509

	D	H	H1	H2
S240	344	729	196	656
S300	344	740	196	667
S380	344	770	203	695

All dimensions in mm

Model	Motor voltage code		
	400/3/50 - 460/3/60	230/3/50	500/3/50 - 575/3/60
	4	6	7
SM/SZ084-090-100-110	●	●	●
SM/SZ115-125-160-175-185	○ ●	○ ●	○ ●
SM/SZ120-148-161	●	●	●
SM124-147	●		
SY/SZ240-300	○ ●	○ ●	○ ●
SY/SZ380 *	●		

○ Rotolock version

● Brazed version

* SY380 only available for 400/3/50Hz

TECHNICAL SPECIFICATIONS

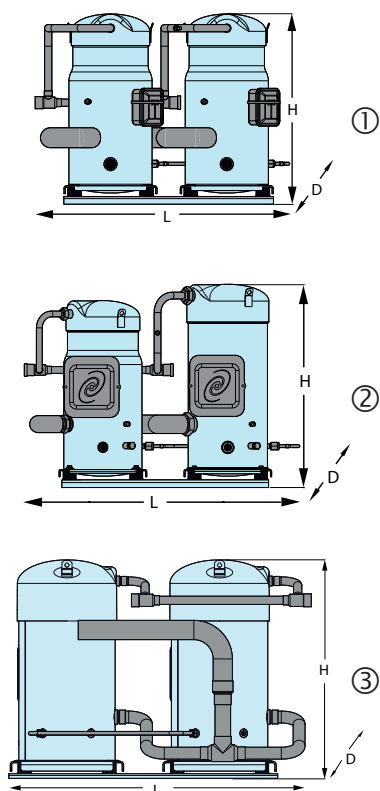
Model	Nominal tons 60 Hz	Nominal cooling capacity ①		Power input ①	Max. operating current	COP ①	E.E.R. ①	Sound power	Swept volume	Displacement ③	Oil charge	Net weight ④	
	TR	W	Btu/h	kW	A ②	W/W	Btu/h/W	dB(A)	cm ³ /rev	m ³ /h	dm ³	kg	
R22	SM084	7	20 400	69 600	6.12	14	3.33	11.4	70	114.5	19.92	3.3	64
	SM090	7.5	21 800	74 400	6.54	15	3.33	11.4	70	120.5	20.97	3.3	65
	SM100	8	23 100	79 000	6.96	16	3.33	11.3	70	127.2	22.13	3.3	65
	SM110	9	25 900	88 600	7.82	18	3.32	11.3	75	144.2	25.09	3.3	73
	SM115	9.5	28 000	95 600	8.31	18	3.37	11.5	76	155.0	26.97	3.8	78
	SM120	10	30 100	102 800	8.96	20	3.36	11.5	75	166.6	28.99	3.3	73
	SM124	10	31 200	106 300	8.75	20	3.56	12.2	73	169.5	29.50	3.3	64
	SM125	10	30 100	102 800	8.93	20	3.37	11.5	76	166.6	28.99	3.8	78
	SM147	12	36 000	123 000	10.08	23	3.58	12.2	74	193.5	33.70	3.3	67
	SM148	12	36 100	123 100	10.80	24	3.34	11.4	79	199.0	34.60	3.6	88
	SM160	13	39 100	133 500	11.60	25	3.37	11.5	79.5	216.6	37.69	4.0	90
	SM161	13	39 000	133 200	11.59	26	3.37	11.5	79.5	216.6	37.69	3.6	88
	SM175	14	42 000	143 400	12.46	27	3.37	11.5	80	233.0	40.54	6.2	100
	SM185	15	45 500	155 300	13.62	30	3.34	11.4	80	249.9	43.48	6.2	100
	SY240	20	61 200	208 700	18.20	39	3.36	11.5	82	347.8	60.50	8.0	150
	SY300	25	78 200	267 000	22.83	50	3.43	11.7	82	437.5	76.10	8.0	157
SY380	30	92 000	313 900	26.82	58	3.43	11.7	85	531.2	92.40	8.4	158	
R407C	SZ084	7	19 300	66 000	6.13	14	3.15	10.7	71	114.5	19.92	3.3	64
	SZ090	7.5	20 400	69 600	6.45	15	3.16	10.8	72	120.5	20.97	3.3	65
	SZ100	8	21 600	73 700	6.84	16	3.15	10.8	73	127.2	22.13	3.3	65
	SZ110	9	24 600	84 000	7.76	18	3.17	10.8	77	144.2	25.09	3.3	73
	SZ115	9.5	26 900	91 700	8.49	19	3.16	10.8	77	155.0	26.97	3.8	78
	SZ120	10	28 600	97 600	8.98	21	3.18	10.9	77	166.6	28.99	3.3	73
	SZ125	10	28 600	97 500	8.95	21	3.19	10.9	78	166.6	28.99	3.8	78
	SZ148	12	35 100	119 800	10.99	25	3.19	10.9	79	199.0	34.60	3.6	88
	SZ160	13	37 600	128 200	11.58	26	3.24	11.1	80.5	216.6	37.69	4.0	90
	SZ161	13	37 900	129 500	11.83	27	3.21	10.9	79	216.6	37.69	3.6	88
	SZ175	14	40 100	136 900	12.67	28	3.17	10.8	81	233.0	40.54	6.2	100
	SZ185	15	43 100	147 100	13.62	31	3.16	10.8	81	249.9	43.48	6.2	100
	SZ240	20	59 100	201 800	18.60	41	3.18	10.9	83.5	347.8	60.50	8.0	150
	SZ300	25	72 800	248 300	22.70	50	3.20	10.9	84	437.5	76.10	8.0	157
	SZ380	30	89 600	305 900	27.60	58	3.25	11.1	86.5	531.2	92.40	8.4	158

① at ARI standard rating conditions: 7.2°C evaporating temperature, 54.4°C condensing temperature, 8.3 K subcooling, 11.1 K superheat,

② for +15°C evap. temp; +68°C cond. temp under nominal voltage 400V / 3 / 50 Hz,

③ displacement at nominal speed: 2900 rpm at 50 Hz,

④ net weight with oil charge

PRODUCT RANGE TANDEM COMPRESSORS


Outline n°	Model	Composition	Voltage code			Dimensions (mm)		
			4 400/3/50 460/3/60	6 230/3/50	7 500/3/50 575/3/60	L	D	H
①	SM/SZ170	S084 + S084	●	●	●	757	423	532
	SM/SZ180	S090 + S090	●	●	●	757	423	532
	SM/SZ200	S100 + S100	●	●	●	757	423	532
	SM/SZ220	S110 + S110	●	●	●	777	443	582
	SM/SZ230	S115 + S115	●	●	●	836	480	603
	SM/SZ242	S120 + S120	●	●	●	777	443	582
	SM248	S124 + S124	○			844	445	554
	SM/SZ250	S125 + S125	●	●	●	836	480	603
	SM272	S124 + S147	○			844	445	554
	SM294	S147 + S147	○			844	445	554
	SM/SZ296	S148 + S148	●	●	●	924	438	614
	SM/SZ320	S160 + S160	●	●	●	911	480	657
	SM/SZ322	S161 + S161	●	●	●	924	438	614
	SM/SZ350	S175 + S175	●	●	●	1004	495	717
	SM/SZ370	S185 + S185	●	●	●	1004	495	717
②	SM/SZ268	S148 + S120	●	●	●	930	441	614
	SM/SZ271	S161 + S110	●	●	●	930	441	614
	SM/SZ281	S161 + S120	●	●	●	930	441	614
	SM/SZ285	S160 + S125	●	●	●	884	480	657
	SM/SZ290	S175 + S115	●	●	●	924	480	705
	SM/SZ310	S185 + S125	●	●	●	924	480	705
	SZ425	S240 + S185	○	○	○	1029	552	729
	SZ485	S300 + S185	○	○	○	1029	552	740
	SY/SZ482	S240 + S240	○	○	○	984	510	730
	SY/SZ540	S300 + S240	○	○	○	984	510	740
③	SY/SZ600	S300 + S300	○	○	○	984	510	740
	SY/SZ620	S240 + S380	○			1058	595	770
	SY/SZ680	S300 + S380	○			1058	595	770
	SY/SZ760	S380 + S380	○			1063	595	770

● Factory built tandems
 ○ Tandems to be achieved by assembly of individual compressors. Specific outline drawings of tandems, trio and quadro units are available, refer to FRCC.PC.005.

TECHNICAL SPECIFICATIONS

Model	Nominal tons 60 Hz	Nominal cooling capacity ①		Power input ①	COP ①	E.E.R. ①	Sound power	Swept volume	Net weight	
		TR	W							Btu/h
R22	SM170	14	40 100	137 000	12.23	3.28	11.2	73.0	39.85	150
	SM180	15	42 900	146 500	13.08	3.28	11.2	73.0	41.93	150
	SM200	16	45 600	155 600	13.91	3.28	11.2	73.0	44.27	150
	SM220	18	51 100	174 400	15.63	3.27	11.1	78.0	50.18	170
	SM230	19	55 200	188 300	16.61	3.32	11.3	79.0	53.94	170
	SM242	20	59 300	202 500	17.90	3.31	11.3	78.0	57.98	170
	SM250	20	59 300	202 500	17.86	3.32	11.3	79.0	57.98	170
	SM268	22	65 200	222 700	19.76	3.30	11.3	77.0	63.60	160
	SM271	22	64 000	218 500	19.41	3.30	11.3	77.5	62.80	180
	SM281	23	68 100	232 600	20.54	3.31	11.3	77.5	66.70	180
	SM285	23	68 200	232 700	20.54	3.32	11.3	81.0	66.68	200
	SM290	23.5	69 000	235 400	20.77	3.32	11.3	81.5	67.51	200
	SM296	24	71 100	242 700	21.59	3.29	11.2	82.0	69.30	192
	SM310	25	74 500	254 200	22.56	3.30	11.3	81.5	72.47	200
	SM320	26	77 000	263 000	23.19	3.32	11.3	82.5	75.38	210
	SM322	26	76 800	262 400	23.17	3.32	11.3	82.5	75.38	192
	SM350	28	82 700	282 500	24.91	3.32	11.3	83.0	81.08	225
SM370	30	89 600	306 000	27.23	3.29	11.2	83.0	86.97	225	
R407C	SZ170	14	38 100	129 900	12.26	3.10	10.6	76.0	39.85	150
	SZ180	15	40 200	137 100	12.88	3.12	10.6	76.0	41.93	150
	SZ200	16	42 500	145 100	13.67	3.11	10.6	76.0	44.27	150
	SZ220	18	48 500	165 400	15.52	3.12	10.6	80.0	50.18	170
	SZ230	19	52 900	180 600	16.97	3.12	10.6	81.0	53.94	170
	SZ242	20	56 300	192 100	17.95	3.14	10.7	80.0	57.98	170
	SZ250	20	56 300	192 100	17.89	3.15	10.7	81.0	57.98	170
	SZ268	22	62 700	214 100	19.99	3.14	10.7	79.0	63.60	160
	SZ271	22	61 600	210 200	19.59	3.14	10.7	79.5	62.80	180
	SZ281	23	65 500	223 800	20.83	3.15	10.8	79.5	66.70	180
	SZ285	23	65 100	222 300	20.53	3.17	10.8	82.5	66.68	200
	SZ290	23.5	66 000	225 100	21.16	3.12	10.6	83.0	67.51	200
	SZ296	24	69 100	236 100	21.97	3.15	10.8	83.5	69.30	192
	SZ310	25	70 600	240 900	22.57	3.13	10.7	83.0	72.47	200
	SZ320	26	74 000	252 600	23.15	3.20	10.9	83.5	75.38	210
	SZ322	26	74 600	255 200	23.65	3.17	10.7	83.5	75.38	192
	SZ350	28	79 000	269 700	25.32	3.12	10.6	84.0	81.08	225
SZ370	30	84 900	289 800	27.22	3.12	10.6	84.0	86.97	225	

① at ARI standard rating conditions: 7.2°C evaporating temperature, 54.4°C condensing temperature, 8.3 K subcooling, 11.1 K superheat,
 ② net weight with oil charge

PERFORMANCE DATA SM / SY R22

Model	To	-20		-15		-10		-5		0		5		10		15	
	Tc	Qo	Pe	Qo	Pe	Qo	Pe	Qo	Pe	Qo	Pe	Qo	Pe	Qo	Pe	Qo	Pe
SM084	35	7 700	4.0	9 900	4.0	12 500	4.0	15 500	4.0	18 900	4.0	22 800	4.0	27 200	3.9	32 100	3.9
	55	-	-	-	-	-	-	12 000	6.4	15 000	6.3	18 500	6.2	22 500	6.2	26 900	6.1
SM090	35	8 600	4.3	10 900	4.4	13 600	4.4	16 700	4.4	20 200	4.4	24 300	4.4	28 900	4.4	34 100	4.4
	55	-	-	-	-	-	-	13 300	6.7	16 400	6.7	19 900	6.6	23 900	6.6	28 400	6.5
SM100	35	9 000	4.6	11 500	4.6	14 400	4.7	17 700	4.7	21 500	4.7	25 800	4.7	30 700	4.7	36 200	4.7
	55	-	-	-	-	-	-	14 200	7.1	17 400	7.1	21 200	7.1	25 400	7.0	30 200	7.0
SM110	35	10 200	5.2	13 000	5.2	16 200	5.2	20 000	5.2	24 200	5.2	29 000	5.2	34 400	5.2	40 400	5.2
	55	7 400	8.1	9 900	8.1	12 700	8.1	15 900	8.0	19 600	8.0	23 800	7.9	28 400	7.9	33 700	7.8
SM115	35	11 200	5.4	13 900	5.4	17 100	5.4	20 800	5.5	25 100	5.5	30 000	5.4	35 600	5.4	41 800	5.4
	55	-	-	-	-	-	-	16 500	8.6	20 700	8.5	25 500	8.5	31 000	8.4	37 100	8.3
SM120	35	11 800	6.0	15 200	6.0	19 000	6.0	23 300	5.9	28 200	5.9	33 700	5.9	39 900	5.9	46 700	5.9
	55	-	-	-	-	-	-	18 600	9.2	22 800	9.2	27 600	9.1	33 000	9.0	38 900	9.0
SM124	35	13 110	5.4	16 190	5.5	19 770	5.7	23 890	5.8	28 630	6.0	34 040	6.1	40 190	6.2	47 120	6.4
	55	-	-	-	-	-	-	19 450	8.4	23 490	8.6	28 130	8.8	33 420	9.0	39 420	9.2
SM125	35	12 000	5.8	15 000	5.8	18 400	5.9	22 400	5.9	27 000	5.9	32 300	5.9	38 200	5.8	45 000	5.8
	55	-	-	-	-	-	-	17 700	9.3	22 300	9.2	27 400	9.1	33 300	9.0	39 900	8.9
SM147	35	14 900	6.3	18 600	6.4	22 800	6.5	27 800	6.7	33 400	6.9	39 900	7.1	47 200	7.2	55 500	7.4
	55	-	-	-	-	-	-	22 200	9.8	27 000	9.9	32 500	10.1	38 700	10.3	45 800	10.5
SM148	35	14 800	7.0	18 500	7.0	22 800	7.1	27 800	7.1	33 500	7.2	40 000	7.2	47 400	7.3	55 800	7.3
	55	-	-	-	-	-	-	22 100	10.9	26 900	10.9	32 500	10.9	38 800	11.0	45 900	11.0
SM160	35	15 500	7.6	19 600	7.7	24 300	7.8	29 700	7.9	35 900	8.0	43 000	8.1	50 900	8.1	59 800	8.2
	55	-	-	-	-	-	-	24 100	11.6	29 600	11.6	35 800	11.7	42 900	11.8	50 800	11.8
SM161	35	16 000	7.5	20 100	7.6	24 700	7.6	30 100	7.6	36 300	7.7	43 400	7.7	51 400	7.8	60 500	7.8
	55	-	-	-	-	-	-	24 400	11.7	29 700	11.7	35 800	11.7	42 800	11.8	50 600	11.8
SM175	35	17 000	8.1	21 300	8.1	26 400	8.2	32 300	8.3	39 000	8.4	46 600	8.4	55 200	8.5	64 800	8.5
	55	-	-	-	-	-	-	26 200	12.4	32 000	12.5	38 500	12.6	46 000	12.6	54 400	12.7
SM185	35	18 400	8.8	23 100	8.9	28 600	9.0	35 000	9.1	42 200	9.1	50 500	9.2	59 800	9.3	70 200	9.3
	55	-	-	-	-	-	-	28 400	13.6	34 600	13.7	41 800	13.8	49 800	13.8	58 900	13.9
SY240	35	25 100	11.7	31 400	11.8	38 700	12.0	47 200	12.1	57 000	12.4	68 100	12.6	80 800	13.0	95 100	13.3
	55	-	-	-	-	-	-	37 600	17.8	45 700	18.0	55 100	18.3	65 700	18.6	77 800	18.9
SY300	35	31 900	14.2	39 800	14.5	49 200	14.8	60 200	15.1	73 000	15.6	87 700	16.1	104 600	16.7	123 800	17.4
	55	-	-	-	-	-	-	47 600	22.0	58 100	22.4	70 300	22.8	84 300	23.4	100 400	24.1
SY380	35	40 000	17.3	49 400	17.6	60 400	18.0	73 200	18.4	87 900	18.8	104 700	19.2	123 800	19.8	145 500	20.4
	55	-	-	-	-	-	-	58 500	26.8	70 900	27.1	85 200	27.5	101 500	27.9	120 000	28.4
SM170	35	15 200	8.0	19 500	8.0	24 600	8.0	30 500	8.0	37 200	8.0	44 900	7.9	53 500	7.9	63 200	7.8
	55	-	-	-	-	-	-	23 600	12.7	29 600	12.6	36 500	12.5	44 300	12.3	53 100	12.1
SM180	35	16 900	8.6	21 400	8.7	26 700	8.8	32 800	8.8	39 900	8.8	47 900	8.8	56 900	8.8	67 100	8.7
	55	-	-	-	-	-	-	26 200	13.4	32 300	13.3	39 300	13.3	47 100	13.2	56 000	13.1
SM200	35	17 700	9.2	22 600	9.3	28 300	9.3	34 800	9.3	42 300	9.4	50 900	9.4	60 500	9.4	71 300	9.4
	55	-	-	-	-	-	-	27 900	14.3	34 400	14.2	41 700	14.1	50 000	14.0	59 400	13.9
SM220	35	20 000	10.4	25 500	10.4	32 000	10.4	39 300	10.4	47 700	10.5	57 100	10.5	67 700	10.4	79 500	10.4
	55	-	-	-	-	-	-	31 400	16.0	38 600	16.0	46 800	15.9	56 000	15.8	66 300	15.6
SM230	35	22 000	10.8	27 400	10.9	33 700	10.9	41 000	10.9	49 500	10.9	59 100	10.9	70 100	10.9	82 400	10.8
	55	-	-	-	-	-	-	32 500	17.2	40 800	17.1	50 200	16.9	61 000	16.7	73 100	16.5
SM242	35	23 300	12.0	29 900	11.9	37 400	11.9	45 900	11.9	55 600	11.9	66 400	11.9	78 500	11.8	92 000	11.8
	55	-	-	-	-	-	-	36 600	18.4	45 000	18.3	54 400	18.2	64 900	18.1	76 600	17.9
SM248	35	25 827	10.8	31 894	11.0	38 947	11.4	47 063	11.6	56 401	12.0	67 059	12.2	79 174	12.4	92 826	12.8
	55	-	-	-	-	-	-	38 317	16.8	46 275	17.2	55 416	17.6	65 837	18.0	77 657	18.4
SM250	35	23 700	11.6	29 500	11.7	36 200	11.7	44 100	11.7	53 200	11.7	63 500	11.7	75 300	11.7	88 600	11.6
	55	-	-	-	-	-	-	35 000	18.5	43 800	18.4	54 000	18.2	65 600	18.0	78 600	17.7
SM268	35	26 201	13.0	33 195	13.0	41 173	13.1	50 334	13.0	60 775	13.1	72 595	13.1	85 991	13.2	100 963	13.2
	55	-	-	-	-	-	-	40 090	20.1	48 955	20.1	59 199	20.0	70 723	20.0	83 528	20.0
SM271	35	25 800	12.7	32 500	12.8	40 300	12.8	49 300	12.9	59 600	12.9	71 300	13.0	84 500	13.0	99 300	13.0
	55	-	-	-	-	-	-	39 700	19.7	48 600	19.7	58 700	19.7	70 100	19.6	83 000	19.6
SM272	35	27 590	11.7	34 268	11.9	41 931	12.2	50 915	12.5	61 100	12.9	72 831	13.2	86 079	13.4	101 081	13.8
	55	-	-	-	-	-	-	41 025	18.2	49 733	18.5	59 721	18.9	71 038	19.3	83 942	19.7
SM281	35	27 500	13.5	34 700	13.5	43 000	13.6	52 600	13.6	63 600	13.6	75 900	13.7	89 900	13.7	105 500	13.7
	55	-	-	-	-	-	-	42 300	20.9	51 800	20.9	62 500	20.8	74 600	20.8	88 200	20.8
SM285	35	27 100	13.4	34 000	13.5	42 100	13.6	51 400	13.7	62 000	13.8	74 100	13.9	87 800	14.0	103 200	14.1
	55	-	-	-	-	-	-	41 200	20.8	51 100	20.8	62 300	20.8	75 000	20.8	89 300	20.7
SM290	35	27 700	13.5	34 700	13.6	42 900	13.7	52 300	13.8	63 100	13.8	75 400	13.9	89 400	13.9	105 100	13.9
	55	-	-	-	-	-	-	42 000	21.0	51 900	21.1	63 100	21.1	75 800	21.0	90 100	20.9
SM294	35	29 353	12.6	36 642	12.8	44 916	13.0	54 766	13.4	65 798	13.8	78 603	14.2	92 984	14.4	109 335	14.8
	55	-	-	-	-	-	-	43 734	19.6	53 190	19.8	64 025	20.2	76 239	20.6	90 226	21.0
SM296	35	29 140	14.0	36 450	14.1	44 940	14.2	54 730	14.2	65 970	14.3	78 810	14.4	93 390	14.5	109 840	14.6
	55	-	-	-	-	-	-	43 570	21.8	53 080	21.8	63 970	21.8	76 390	21.9	90 480	21.9
SM310	35	30 000	14.6	37 500	14.7	46 300	14.8	56 500	1								

PERFORMANCE DATA SZ R134 a

Model	To	-15		-10		-5		0		5		10		15	
	Tc	Qo	Pe	Qo	Pe	Qo	Pe	Qo	Pe	Qo	Pe	Qo	Pe	Qo	Pe
SZ084	35	6 200	2.8	8 000	2.8	10 100	2.8	12 600	2.8	15 400	2.7	18 700	2.7	22 400	2.6
	55	-	-	6 100	4.3	7 900	4.3	9 900	4.3	12 400	4.3	15 100	4.3	18 300	4.2
SZ090	35	6 700	2.9	8 600	2.9	10 900	3.0	13 400	2.9	16 400	2.9	19 800	2.9	23 600	2.8
	55	-	-	6 600	4.5	8 500	4.6	10 700	4.6	13 200	4.6	16 000	4.5	19 300	4.5
SZ100	35	7 300	3.1	9 400	3.1	11 700	3.1	14 400	3.1	17 500	3.1	21 000	3.1	25 000	3.1
	55	-	-	7 300	4.8	9 300	4.8	11 500	4.9	14 100	4.9	17 100	4.9	20 400	4.8
SZ110	35	8 200	3.5	10 500	3.5	13 200	3.5	16 200	3.5	19 800	3.5	23 800	3.5	28 400	3.5
	55	-	-	8 100	5.4	10 400	5.4	13 000	5.5	16 000	5.5	19 400	5.5	23 300	5.4
SZ115	35	9 000	3.8	11 600	3.8	14 500	3.8	17 900	3.8	21 800	3.8	26 300	3.7	31 200	3.7
	55	-	-	8 900	5.9	11 400	5.9	14 300	5.9	17 600	5.9	21 400	5.9	25 700	5.9
SZ120	35	9 400	4.0	12 000	4.0	15 100	4.1	18 700	4.1	22 800	4.1	27 500	4.1	32 900	4.0
	55	-	-	9 300	6.2	11 900	6.3	14 900	6.3	18 400	6.3	22 400	6.3	27 000	6.2
SZ125	35	9 600	4.1	12 300	4.1	15 500	4.1	19 100	4.1	23 300	4.0	28 000	4.0	33 300	3.9
	55	-	-	9 500	6.3	12 100	6.3	15 200	6.3	18 800	6.3	22 800	6.3	27 400	6.2
SZ148	35	11 200	5.0	14 300	5.0	18 100	5.0	22 500	5.0	27 800	5.0	33 900	5.0	41 000	5.0
	55	-	-	10 900	7.7	13 800	7.7	17 400	7.7	21 500	7.7	26 400	7.8	32 100	7.8
SZ160	35	12 400	5.3	15 900	5.3	20 000	5.4	24 700	5.4	30 200	5.4	36 400	5.4	43 500	5.4
	55	-	-	12 300	7.9	15 800	8.0	19 800	8.0	24 500	8.1	29 800	8.1	35 900	8.1
SZ161	35	12 000	5.2	15 300	5.2	19 200	5.3	23 800	5.3	29 100	5.4	35 400	5.4	42 600	5.4
	55	-	-	11 700	8.0	14 900	8.0	18 700	8.1	23 100	8.1	28 200	8.1	34 100	8.1
SZ175	35	13 200	5.7	16 900	5.8	21 200	5.8	26 200	5.9	32 100	5.9	38 700	5.9	46 200	5.8
	55	-	-	13 100	8.6	16 700	8.6	21 000	8.7	26 000	8.7	31 700	8.8	38 100	8.8
SZ185	35	14 000	6.1	18 000	6.1	22 600	6.2	27 900	6.2	34 100	6.3	41 200	6.3	49 200	6.2
	55	-	-	13 900	9.1	17 800	9.2	22 400	9.3	27 700	9.3	33 700	9.3	40 600	9.3
SZ240	35	18 900	8.4	23 800	8.5	29 800	8.6	37 000	8.7	45 600	8.7	55 900	8.8	68 000	8.9
	55	-	-	18 300	12.3	23 200	12.5	28 900	12.6	35 800	12.7	43 800	12.9	53 400	13.0
SZ300	35	23 700	10.2	29 900	10.4	37 400	10.5	46 200	10.6	56 600	10.7	68 700	10.8	82 600	11.0
	55	-	-	22 900	15.2	28 900	15.4	36 100	15.6	44 600	15.9	54 600	16.1	66 200	16.4
SZ170	35	12 200	5.5	15 700	5.6	19 900	5.6	24 800	5.5	30 400	5.5	36 800	5.4	44 000	5.3
	55	-	-	11 900	8.6	15 500	8.6	19 600	8.6	24 300	8.6	29 800	8.5	36 000	8.4
SZ180	35	13 300	5.9	17 000	5.9	21 400	5.9	26 500	5.9	32 300	5.8	39 000	5.8	46 500	5.7
	55	-	-	13 100	9.1	16 800	9.1	21 100	9.1	26 000	9.1	31 600	9.1	38 000	9.0
SZ200	35	14 500	6.2	18 400	6.2	23 000	6.3	28 400	6.3	34 500	6.2	41 400	6.2	49 200	6.1
	55	-	-	14 400	9.6	18 200	9.7	22 700	9.7	27 800	9.7	33 600	9.7	40 200	9.7
SZ220	35	16 300	7.0	20 700	7.0	25 900	7.1	32 000	7.1	39 000	7.1	46 900	7.0	56 000	6.9
	55	-	-	16 100	10.8	20 500	10.9	25 600	10.9	31 400	10.9	38 200	10.9	45 900	10.9
SZ230	35	17 800	7.6	22 800	7.6	28 600	7.6	35 300	7.6	43 000	7.6	51 700	7.5	61 600	7.4
	55	-	-	17 500	11.7	22 500	11.8	28 200	11.8	34 800	11.8	42 200	11.8	50 700	11.7
SZ242	35	18 600	8.0	23 700	8.1	29 700	8.1	36 800	8.1	44 900	8.1	54 200	8.1	64 900	8.0
	55	-	-	18 300	12.5	23 400	12.5	29 300	12.5	36 200	12.5	44 200	12.5	53 300	12.4
SZ250	35	19 000	8.1	24 300	8.1	30 500	8.1	37 600	8.1	45 800	8.1	55 100	8.0	65 600	7.9
	55	-	-	18 600	12.5	23 900	12.5	30 000	12.6	37 000	12.6	45 000	12.5	54 000	12.5
SZ268	35	20 291	9.0	25 906	9.0	32 702	9.1	40 582	9.1	49 841	9.1	60 479	9.1	72 792	9.0
	55	-	-	19 897	13.9	25 315	14.0	31 816	14.0	39 302	14.0	48 068	14.1	58 214	14.0
SZ271	35	19 897	8.7	25 413	8.7	31 914	8.8	39 400	8.8	48 167	8.9	58 312	8.9	69 935	8.9
	55	-	-	19 503	13.4	24 921	13.4	31 225	13.6	38 514	13.6	46 886	13.6	56 539	13.5
SZ281	35	21 079	9.2	26 891	9.2	33 786	9.4	41 863	9.4	51 122	9.5	61 957	9.5	74 368	9.4
	55	-	-	20 685	14.2	26 398	14.3	33 096	14.4	40 878	14.4	49 841	14.4	60 184	14.3
SZ285	35	21 700	9.3	27 800	9.4	34 900	9.4	43 100	9.5	52 600	9.5	63 400	9.4	75 600	9.3
	55	-	-	21 400	14.2	27 500	14.2	34 500	14.3	42 600	14.4	51 900	14.4	62 400	14.3
SZ290	35	21 900	9.5	28 000	9.6	35 200	9.6	43 500	9.7	53 100	9.7	64 000	9.6	76 300	9.5
	55	-	-	21 600	14.4	27 700	14.5	34 800	14.6	43 000	14.6	52 300	14.7	62 900	14.6
SZ296	35	22 000	10.0	28 200	10.0	35 600	10.0	44 400	10.0	54 800	10.0	66 800	10.0	80 700	10.0
	55	-	-	21 400	15.4	27 300	15.4	34 200	15.4	42 400	15.5	52 000	15.5	63 100	15.6
SZ310	35	23 300	10.1	29 800	10.2	37 500	10.3	46 300	10.3	56 500	10.3	68 100	10.2	81 200	10.1
	55	-	-	23 000	15.4	29 500	15.5	37 100	15.5	45 800	15.6	55 700	15.6	67 000	15.6
SZ320	35	24 400	10.5	31 300	10.6	39 300	10.7	48 700	10.8	59 400	10.8	71 700	10.8	85 700	10.8
	55	-	-	24 200	15.8	31 000	15.9	39 000	16.0	48 200	16.1	58 700	16.2	70 700	16.2
SZ322	35	23 600	10.4	30 100	10.5	37 700	10.5	46 800	10.6	57 400	10.7	69 700	10.8	83 900	10.8
	55	-	-	23 100	15.9	29 400	16.0	36 800	16.1	45 400	16.2	55 500	16.2	67 200	16.2
SZ350	35	26 000	11.4	33 200	11.5	41 800	11.6	51 700	11.7	63 100	11.8	76 200	11.7	91 100	11.7
	55	-	-	25 700	17.1	33 000	17.3	41 400	17.4	51 200	17.5	62 400	17.5	75 100	17.5
SZ370	35	27 600	12.1	35 400	12.3	44 500	12.4	55 000	12.5	67 200	12.5	81 100	12.5	96 900	12.4
	55	-	-	27 400	18.2	35 100	18.4	44 100	18.5	54 500	18.6	66 400	18.7	79 900	18.6

To: Evaporating temperature in °C
Tc: Condensing temperature in °C

Qo: Cooling capacity in W
Pe: Power input in kW

Superheat = 11.1 K
Subcooling = 8.3 K

Voltage: 400 V / 3 / 50 Hz

PERFORMANCE DATA SZ R407C

Model	To	-20		-15		-10		-5		0		5		10		15	
	Tc	Qo	Pe	Qo	Pe	Qo	Pe	Qo	Pe	Qo	Pe	Qo	Pe	Qo	Pe	Qo	Pe
SZ084	35	7 200	3.9	9 300	3.9	11 800	4.0	14 800	4.0	18 300	4.0	22 300	4.0	27 000	4.0	32 300	3.9
	55	-	-	-	-	-	-	11 300	6.2	14 200	6.2	17 500	6.2	21 400	6.2	25 800	6.2
SZ090	35	7 600	4.1	9 800	4.1	12 500	4.2	15 600	4.2	19 300	4.2	23 600	4.2	28 500	4.2	34 100	4.1
	55	-	-	-	-	-	-	12 000	6.5	15 000	6.5	18 500	6.5	22 500	6.5	27 200	6.5
SZ100	35	8 100	4.3	10 500	4.4	13 300	4.4	16 600	4.4	20 500	4.5	25 000	4.4	30 100	4.4	36 000	4.4
	55	-	-	-	-	-	-	12 700	6.9	15 900	6.9	19 600	6.9	23 800	6.9	28 700	6.9
SZ110	35	9 300	4.9	12 000	5.0	15 200	5.0	19 000	5.0	23 400	5.0	28 500	5.0	34 300	5.0	40 900	4.9
	55	-	-	-	-	-	-	14 500	7.9	18 100	7.9	22 300	7.9	27 200	7.8	32 700	7.8
SZ115	35	10 100	5.4	13 100	5.4	16 600	5.4	20 800	5.5	25 600	5.4	31 100	5.4	37 400	5.4	44 500	5.3
	55	-	-	-	-	-	-	15 800	8.7	19 800	8.7	24 400	8.6	29 600	8.6	35 600	8.5
SZ120	35	11 000	5.7	14 100	5.7	17 800	5.8	22 200	5.8	27 200	5.8	33 100	5.8	39 800	5.7	47 400	5.6
	55	-	-	-	-	-	-	16 500	9.2	20 600	9.2	25 300	9.2	30 700	9.1	36 900	9.0
SZ125	35	10 800	5.7	14 000	5.7	17 700	5.7	22 100	5.7	27 200	5.7	33 100	5.7	39 800	5.7	47 400	5.6
	55	-	-	-	-	-	-	16 800	9.2	21 000	9.1	25 900	9.1	31 500	9.0	37 900	9.0
SZ148	35	13 400	6.9	17 200	7.0	21 700	7.0	26 900	7.0	33 100	7.1	40 200	7.1	48 300	7.1	57 700	7.2
	55	-	-	-	-	-	-	20 500	11.1	25 400	11.1	31 100	11.1	37 800	11.1	45 400	11.1
SZ160	35	14 800	7.3	18 900	7.4	23 800	7.5	29 600	7.6	36 300	7.6	44 200	7.6	53 200	7.6	63 500	7.6
	55	-	-	-	-	-	-	22 500	11.8	27 900	11.9	34 200	11.9	41 500	11.9	50 000	11.9
SZ161	35	14 500	7.4	18 600	7.5	23 400	7.5	29 100	7.6	35 700	7.6	43 400	7.6	52 300	7.7	62 500	7.8
	55	-	-	-	-	-	-	22 200	12.0	27 500	12.0	33 700	12.0	40 900	12.0	49 100	12.0
SZ175	35	15 500	8.0	19 800	8.0	25 000	8.1	31 100	8.2	38 100	8.2	46 300	8.2	55 600	8.2	66 200	8.2
	55	-	-	-	-	-	-	24 000	12.7	29 800	12.8	36 500	12.8	44 200	12.8	53 000	12.8
SZ185	35	16 600	8.6	21 300	8.6	26 900	8.7	33 400	8.8	41 000	8.8	49 700	8.8	59 700	8.8	71 100	8.8
	55	-	-	-	-	-	-	25 700	13.7	32 000	13.7	39 200	13.8	47 500	13.8	56 900	13.8
SZ240	35	22 400	11.7	28 800	11.8	36 400	11.9	45 300	12.1	55 700	12.2	67 900	12.4	81 800	12.5	97 800	12.6
	55	-	-	21 200	17.9	27 200	18.0	34 400	18.2	42 700	18.4	52 400	18.7	63 600	18.9	76 600	19.2
SZ300	35	28 600	13.7	36 100	13.9	45 000	14.1	55 300	14.3	67 500	14.5	81 500	14.7	97 700	14.9	116 300	15.2
	55	-	-	27 600	21.2	34 800	21.6	43 200	22.1	53 100	22.5	64 700	22.9	78 100	23.2	93 600	23.6
SZ380	35	35 900	16.9	45 200	17.3	56 300	17.6	69 300	18.0	84 400	18.3	102 000	18.6	122 100	18.9	145 100	19.4
	55	-	-	33 900	26.1	42 800	26.6	53 300	27.0	65 500	27.4	79 700	27.8	96 100	28.1	114 900	28.5
SZ170	35	14 200	7.8	18 300	7.9	23 200	8.0	29 100	8.0	36 000	8.0	44 000	8.0	53 200	8.0	63 700	7.9
	55	-	-	-	-	-	-	22 300	12.3	27 900	12.4	34 500	12.4	42 100	12.4	50 900	12.4
SZ180	35	15 000	8.2	19 400	8.3	24 600	8.3	30 800	8.4	38 000	8.4	46 400	8.4	56 100	8.3	67 100	8.2
	55	-	-	-	-	-	-	23 600	13.0	29 500	13.0	36 400	13.1	44 400	13.0	53 600	13.0
SZ200	35	16 000	8.7	20 600	8.8	26 100	8.8	32 700	8.9	40 300	8.9	49 200	8.9	59 300	8.8	70 900	8.7
	55	-	-	-	-	-	-	25 000	13.8	31 300	13.9	38 600	13.9	47 000	13.8	56 600	13.8
SZ220	35	18 400	9.9	23 700	9.9	30 000	10.0	37 400	10.1	46 100	10.1	56 100	10.0	67 500	10.0	80 600	9.8
	55	-	-	-	-	-	-	28 600	15.8	35 800	15.8	44 000	15.8	53 500	15.7	64 400	15.5
SZ230	35	20 000	10.8	25 800	10.8	32 800	10.9	40 900	10.9	50 400	10.9	61 200	10.9	73 700	10.8	87 700	10.7
	55	-	-	-	-	-	-	31 100	17.4	38 900	17.3	48 000	17.3	58 400	17.2	70 200	17.0
SZ242	35	21 600	11.4	27 800	11.5	35 200	11.6	43 700	11.6	53 700	11.6	65 200	11.5	78 400	11.4	93 500	11.2
	55	-	-	-	-	-	-	32 500	18.3	40 600	18.4	49 800	18.3	60 500	18.1	72 700	17.9
SZ250	35	21 200	11.4	27 500	11.4	34 900	11.5	43 500	11.5	53 600	11.5	65 200	11.4	78 300	11.4	93 300	11.3
	55	-	-	-	-	-	-	33 100	18.3	41 400	18.3	51 100	18.2	62 100	18.1	74 700	17.9
SZ268	35	24 000	12.6	30 900	12.7	38 900	12.8	48 400	12.9	59 400	12.9	72 200	12.9	86 800	12.9	103 600	12.8
	55	-	-	-	-	-	-	36 500	20.3	45 300	20.3	55 600	20.3	67 400	20.2	81 100	20.1
SZ271	35	23 443	12.3	30 141	12.5	38 021	12.5	47 379	12.6	58 214	12.6	70 822	12.6	85 301	12.7	101 849	12.7
	55	-	-	-	-	-	-	36 150	19.9	44 916	19.9	55 160	19.9	67 079	19.8	80 573	19.8
SZ281	35	25 100	13.1	32 300	13.2	40 700	13.3	50 500	13.4	62 000	13.4	75 400	13.4	90 700	13.4	108 300	13.4
	55	-	-	-	-	-	-	38 100	21.2	47 400	21.2	58 100	21.2	70 500	21.1	84 800	21.0
SZ285	35	25 216	13.0	32 407	13.1	40 878	13.2	50 925	13.3	62 548	13.3	76 141	13.3	91 605	13.3	109 237	13.2
	55	-	-	-	-	-	-	38 711	21.0	48 167	21.0	59 199	21.0	71 905	20.9	86 582	20.9
SZ290	35	25 200	13.4	32 500	13.5	41 000	13.5	51 100	13.6	62 800	13.7	76 200	13.7	91 600	13.6	109 000	13.5
	55	-	-	-	-	-	-	39 100	21.4	48 800	21.5	59 900	21.5	72 700	21.4	87 300	21.3
SZ296	35	26 500	13.8	33 900	13.9	42 700	14.0	53 000	14.1	65 100	14.2	79 100	14.2	95 200	14.3	113 700	14.4
	55	-	-	-	-	-	-	40 400	22.2	50 100	22.3	61 400	22.3	74 400	22.3	89 400	22.3
SZ310	35	27 000	14.2	34 700	14.4	43 900	14.5	54 700	14.5	67 200	14.6	81 600	14.6	98 000	14.5	116 700	14.4
	55	-	-	-	-	-	-	41 900	22.9	52 200	22.9	64 100	22.9	77 800	22.9	93 400	22.8
SZ320	35	29 100	14.7	37 200	14.9	46 900	15.0	58 300	15.1	71 600	15.2	87 000	15.2	104 800	15.2	125 100	15.2
	55	-	-	-	-	-	-	44 300	23.6	55 000	23.7	67 400	23.8	81 800	23.8	98 400	23.9
SZ322	35	28 600	14.9	36 700	15.0	46 200	15.1	57 300	15.1	70 400	15.2	85 600	15.3	103 000	15.4	123 000	15.5
	55	-	-	-	-	-	-	43 700	23.9	54 200	24.0	66 400	24.0	80 500	24.0	96 800	24.0
SZ350	35	30 500	15.9	39 100	16.1	49 300	16.2	61 200	16.3	75 200	16.4	91 200	16.4	109 500	16.4	130 300	16.4
	55	-	-	-	-	-	-	47 200	25.4	58 600	25.6	71 900	25.6	87 100	25.7	104 400	25.7
SZ370	35	32 700	17.1	42 000	17.3	52 900	17.4	65 800	17.5	80 700	17.6	98 000	17.7	117 700	17.7	140 000	17.6
	55	-	-	-	-	-	-	50 700	27.4	63 000	27.5	77 200	27.6	93 500	27.6	112 100	27.6

To:

ORDERING REFERENCE

Compressor model	Connections	Motor protection	Code no. for single packs			Code no. for industrial packs		
			4	6	7	4	6	7
			460/3/60 380-400/3/50	230/3/50	575/3/60 500/3/50	460/3/60 380-400/3/50	230/3/50	575/3/60 500/3/50
SM084	Brazed	Internal	SM084-4VI	SM084-6VI	SM084-7VI	SM084-4VM	SM084-6VM	SM084-7VM
SM090	Brazed	Internal	SM090-4VI	SM090-6VI	SM090-7VI	SM090-4VM	SM090-6VM	SM090-7VM
SM100	Brazed	Internal	SM100-4VI	SM100-6VI	SM100-7VI	SM100-4VM	SM100-6VM	SM100-7VM
SM110	Brazed	Internal	SM110-4VI	SM110-6VI	SM110-7VI	SM110-4VM	SM110-6VM	SM110-7VM
SM115	Brazed	Thermostat	SM115-4CAI	SM115-6CAI	SM115-7CAI	SM115-4CAM	SM115-6CAM	SM115-7CAM
	Rotolock	Thermostat	SM115-4RI	SM115-6RI	SM115-7RI	SM115-4RM	SM115-6RM	SM115-7RM
SM120	Brazed	Internal	SM120-4VI	SM120-6VI	SM120-7VI	SM120-4VM	SM120-6VM	SM120-7VM
SM124	Brazed	Internal	120H0185	-	-	120H0186	-	-
SM125	Brazed	Thermostat	SM125-4CAI	SM125-6CAI	SM125-7CAI	SM125-4CAM	SM125-6CAM	SM125-7CAM
	Rotolock	Thermostat	SM125-4RI	SM125-6RI	SM125-7RI	SM125-4RM	SM125-6RM	SM125-7RM
SM147	Brazed	Internal	120H0191	-	-	120H0311	-	-
SM148	Brazed	Internal	SM148-4VAI	SM148-6VAI	SM148-7VAI	SM148-4VAM	SM148-6VAM	SM148-7VAM
SM160	Brazed	Thermostat	SM160-4CBI	SM160-6CBI	SM160-7CAI	SM160-4CBM	SM160-6CBM	SM160-7CAM
	Rotolock	Thermostat	SM160-4RAI	SM160-6RAI	SM160-7RAI	SM160-4RAM	SM160-6RAM	SM160-7RAM
SM161	Brazed	Internal	SM161-4VAI	SM161-6VAI	SM161-7VAI	SM161-4VAM	SM161-6VAM	SM161-7VAM
SM175	Brazed	Thermostat	SM175-4CAI	SM175-6CAI	SM175-7CAI	SM175-4CAM	SM175-6CAM	SM175-7CAM
	Rotolock	Thermostat	SM175-4RI	SM175-6RI	SM175-7RI	SM175-4RM	SM175-6RM	SM175-7RM
SM185	Brazed	Thermostat	SM185-4CAI	SM185-6CAI	SM185-7CAI	SM185-4CAM	SM185-6CAM	SM185-7CAM
	Rotolock	Thermostat	SM185-4RI	SM185-6RI	SM185-7RI	SM185-4RM	SM185-6RM	SM185-7RM
SY240	Brazed	Module 24V AC	SY240A4AAI	SY240A6AAI	SY240A7AAI	SY240A4AAM	SY240A6AAM	SY240A7AAM
	Brazed	Module 115/230 V	SY240A4ABI	SY240A6ABI	SY240A7ABI	SY240A4ABM	SY240A6ABM	SY240A7ABM
	Rotolock	Module 24V AC	SY240A4MAI	SY240A6MAI	SY240A7MAI	SY240A4MAM	SY240A6MAM	SY240A7MAM
	Rotolock	Module 115/230 V	SY240A4MBI	SY240A6MBI	SY240A7MBI	SY240A4MBM	SY240A6MBM	SY240A7MBM
SY300	Brazed	Module 24V AC	SY300A4AAI	SY300A6AAI	SY300A7AAI	SY300A4AAM	SY300A6AAM	SY300A7AAM
	Brazed	Module 115/230 V	SY300A4ABI	SY300A6ABI	SY300A7ABI	SY300A4ABM	SY300A6ABM	SY300A7ABM
	Rotolock	Module 24V AC	SY300A4MAI	SY300A6MAI	SY300A7MAI	SY300A4MAM	SY300A6MAM	SY300A7MAM
	Rotolock	Module 115/230 V	SY300A4MBI	SY300A6MBI	SY300A7MBI	SY300A4MBM	SY300A6MBM	SY300A7MBM
SY380 *	Brazed	Module 24V AC	SY380A4CAI	-	-	SY380A4CAM	-	-
	Brazed	Module 115/230 V	SY380A4CBI	-	-	SY380A4CBM	-	-
	Brazed	Module 24V DC	SY380A4CFI	-	-	SY380A4CFM	-	-

For SZ compressors replace second digit of code number by «Z» except for sizes 124 & 147 (SZ124 & SZ147 not available).

For compressor with electronic module protection instead of thermostat, please change 8th digit according to table below. For instance: SM160-4CBI (thermostat) becomes SM160-4SBI (module 24V AC).

* only available for 400 / 3 / 50 Hz

NAMEPLATE REFERENCE

Family, lubricant & refrigerant	Nominal capacity	Voltage	Version	Evolution index	
SZ	185	-	4	R	Single compressors
SY	300	A	7	AA	Single compressors
SZ	285	-	4	-	Tandem units

Family, lubricant & refrigerant	Motor protection type	Connection	Module voltage	Applies to
SM: Scroll, Mineral oil, R22 SY: Scroll, POE lubricant, R22 SZ: Scroll, POE lubricant, R407C - R134a	Internal overload protector	V	V : brazed	S 084-090-100-110-120-148-161
	Internal thermostat	C R	C : brazed R : rotolock	S 115-125-160-175-185
Electronic protection module	J	J : brazed 24 V DC		
	P	P : brazed 24 V AC		
	U	U : brazed 115 V		
	X	X : brazed 230 V		
	K	K : rotolock 24 V DC		
	S	S : rotolock 24 V AC		
W : rotolock 115 V Y : rotolock 230 V	AF	A : brazed F : 24V DC	S 240 - 300	
	AA	A : brazed A : 24V AC		
	AB	A : brazed B : 115/230V		
	MA	M : rotolock A : 24V AC		
	MB	M : rotolock B : 115/230V		
	CA	C : brazed A : 24V AC		S 380 *
CB	C : brazed B : 115/230V			
CF	C : brazed F : 24V DC			

FURTHER REFERENCE

For more exhaustive information on Performer® scroll compressors single & tandem units, please refer to the following documents:

- Online datasheet generator: www.danfoss.com/odsg - a tool providing user-friendly access to full technical data, performance data & outline drawings for each individual compressor.

- Selection and application guidelines for SM, SY and SZ Performer® single scroll compressors - Literature FRCC.PC.003. and for SM, SY and SZ Performer® scroll compressors in parallel installation - Literature FRCC.PC.005.

Above documents and datasheet generator are available on the Danfoss Commercial Compressors internet website: <http://cc.danfoss.com>



The Danfoss product range for the refrigeration and air conditioning industry

Danfoss Refrigeration & Air Conditioning is a worldwide manufacturer with a leading position in industrial, commercial and supermarket refrigeration as well as air conditioning and climate solutions.

We focus on our core business of making quality products, components and systems that enhance performance and reduce total life cycle costs – the key to major savings.



*Controls for
Commercial Refrigeration*



*Controls for
Industrial Refrigeration*



*Electronic Controls &
Sensors*



Industrial Automation



Household Compressors



Commercial Compressors



Sub-Assemblies



Thermostats



*Brazen plate
heat exchanger*

We are offering a single source for one of the widest ranges of innovative refrigeration and air conditioning components and systems in the world. And, we back technical solutions with business solution to help your company reduce costs, streamline processes and achieve your business goals.

Danfoss A/S • www.danfoss.com

Danfoss Commercial Compressors <http://cc.danfoss.com>