

APPLICATIONS

Suitable for use in indoor stadiums, exhibition halls, workshops, goods yards, warehouses, supermarkets, etc.



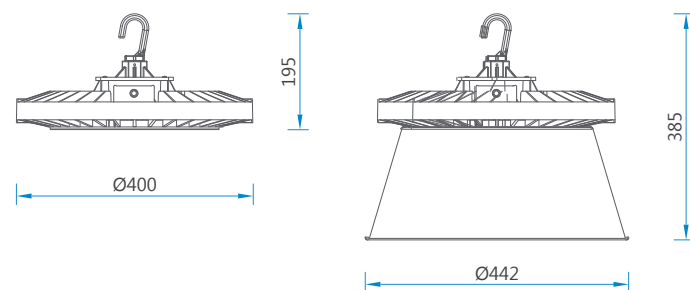
NGC9823(A) LED HIGH BAY LIGHT FITTING



- Integrated with dimming interface (1 V - 10 V)
- High efficiency and low energy consumption
- Free from glare
- Suitable for hook mounting, pendant mounting and U-bracket mounting
- Degree of protection: IP 65
- Suitable for 10 m to 14 m mounting height



DIMENSION DRAWINGS



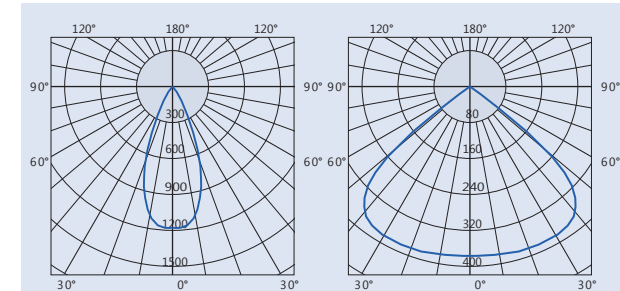
*all dimensions in mm

TECHNICAL DATA

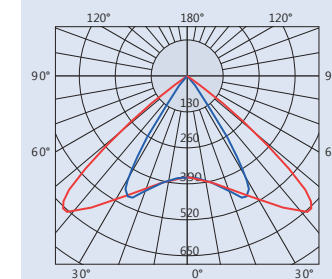
Certification	
International approvals	SASO, CCC
Conformity to standards	IEC60598
Material	
Body material	Aluminum alloy with epoxy powder coating
Diffuser	Polycarbonate
Light source	
Brand	EDISON
Wattage	230 W
Type	LED
Luminous flux	140 lm / W
Life	100000 h
Rated voltage	220 V - 240 V AC 50 Hz / 60 Hz
Class of insulation	Class I
Cable entry	G3/4
Operating temperature	-20 °C to +40 °C
Degree of protection	IP 65
Corrosion-proof class	WF2

PHOTOMETRIC DATA

NGC9823(A) LED 230 W photometric data
The data from EDISON lamp
Luminous intensity distribution cd / 1000 lm



cd / 1000 lm Ratio of distance to height: 0.75
cd / 1000 lm Ratio of distance to height: 1.46



cd / 1000 lm
— C0° / 180° Ratio of distance to height: 1.66
— C90° / 270° Ratio of distance to height: 0.9

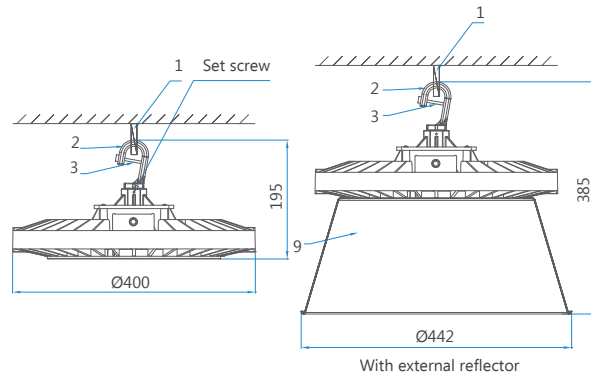
We can provide lighting design and data by professional lighting software based upon simulated site situation on request.

SELECTION TABLE

Model	Lamp power (W)	Lamp type (W)	Operating current (A)	Color temperature (K)	Weight (kg)
NGC9823/230/LED	230	LED	1	5000 - 7000	5.5
NGC9823A/230/LED	230	LED	1	5000 - 7000	5.5

MOUNTING TYPE

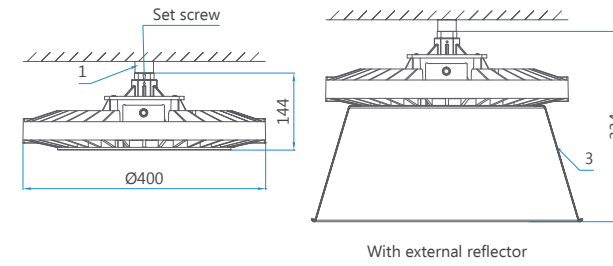
Hook mount



*all dimensions in mm

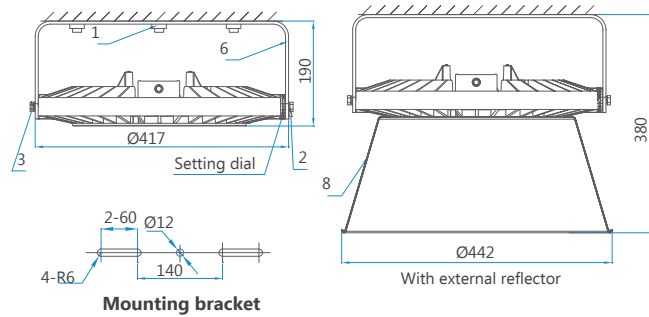
Accessories				
No.	Name	Spec.	Qty.	Remark
1	Hook		1	Provided by manufacturer
2	Cross-head screw	M4 × 23.3	1	Accessories should be ordered separately.
3	Hex cap bolt	M10 × 20	1	
4	Spring washer	10	1	
5	Fall prevention chain		1	
6	Safety buckle	Ø4 × 40	1	
7	Cross-head screw	M4 × 12	3	
8	External reflector		1	

Pendant mount



Accessories				
No.	Name	Spec.	Qty.	Remark
1	Pipe	G3/4	1	Provided by user
2	Cross-head screw	M4 × 12	3	Accessories should be ordered separately.
3	External reflector		1	
4	Hex cap bolt	M10 × 20	1	Accessories should be ordered separately.
5	Spring washer	10	1	
6	Fall prevention chain		1	
7	Safety buckle	Ø4 × 40	1	

U bracket mount



Accessories				
No.	Name	Spec.	Qty.	Remark
1	Expansion bolt (with nut, flat washer and spring washer)	M12 × 80	3	Provided by user
2	Hex cap bolt	M10 × 30	1	Provided by manufacturer
3	Hex cap bolt	M10 × 20	1	
4	Flat washer	10	2	
5	Spring washer	10	2	
6	U bracket		1	Accessories should be ordered separately.
7	Cross-head screw	M4 × 12	3	
8	External reflector		1	
9	Hex cap bolt	M10 × 20	1	Accessories should be ordered separately.
10	Spring washer	10	1	
11	Fall prevention chain		1	
12	Safety buckle	Ø4 × 40	1	

SPARE PARTS

Name	Picture	Ordering code	Weight (KG)
Light source - 230 W		1311010349	0.155
LED driver		1305010055	0.720