

APPLICATIONS

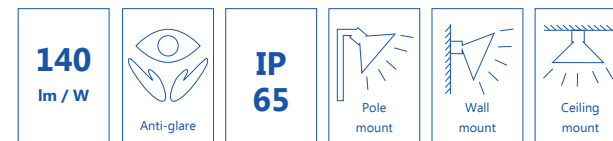
Suitable for use in plant areas, workshops, yards, and illumination of large facilities, equipments and installations.



NFC9186A LED PENDANT LIGHT FITTING

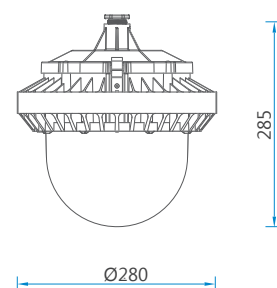


- Optical distributions: round type
- Anti-glare transparent cover
- LED light source featuring high luminous efficacy and long life
- Degree of protection: IP 65
- Suitable for pole mounting, wall mounting and ceiling mounting



DIMENSION DRAWINGS

*all dimensions in mm

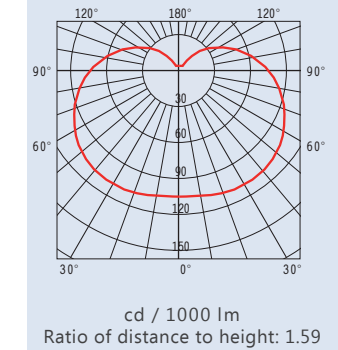


TECHNICAL DATA

Certification	
International approvals	SASO, CCC
Conformity to standards	IEC60598
Material	
Body material	Aluminum alloy with epoxy powder coating
Diffuser	Polycarbonate
Light source	
Brand	EDISON
Wattage	70 W
Type	LED
Luminous flux	140 lm / W
Life	100000 h
Rated voltage	220 V - 240 V AC 50 Hz / 60 Hz
Class of insulation	Class I
Cable entry	G3/4
Operating temperature	-20 °C to +40 °C
Degree of protection	IP 65
Corrosion-proof class	WF2

PHOTOMETRIC DATA

NFC9186A LED 70 W photometric data
The data from EDISON lamp
Luminous intensity distribution cd / 1000 lm



We can provide lighting design and data by professional lighting software based upon simulated site situation on request.

SELECTION TABLE

Model	Lamp power (W)	Lamp type (W)	Operating current (A)	Color temperature (K)	Weight (kg)
NFC9186A/70/LED	70	LED	0.35	5000 - 7000 (cool white)	4.9
NFC9186A/70/LED	70	LED	0.35	2700 - 3300 (warm white)	4.9

