

APPLICATIONS

Suitable for illumination of oil refining and chemical facility platforms, corridors and other hazardous locations.



BPC8766 EXPLOSION-PROTECTED LED PENDANT LIGHT FITTING

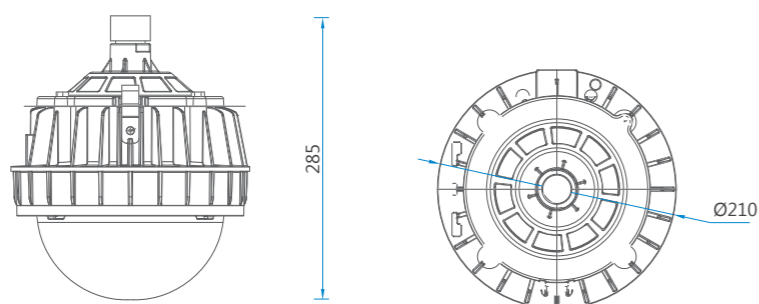


- Explosion group: IIC
- Degree of protection: IP 65
- Optical distributions: round type
- Anti-glare transparent cover
- Suitable for pole mounting and ceiling mounting



DIMENSION DRAWINGS

*all dimensions in mm

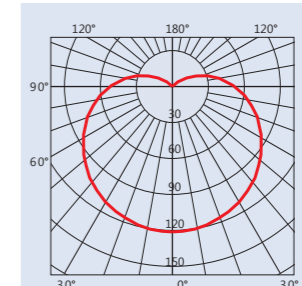


TECHNICAL DATA

Certification	
International approvals	IECEX, ATEX, SASO, CNEX
Coding	Ex d e mb IIC T5/T6 Gb, Ex tD A21 IP65 T95°C/T80°C
Conformity to standards	IEC 60079 / IEC 60598
Material	
Body material	Aluminum alloy with epoxy powder coating
Diffuser	Polycarbonate
Light source	
Brand	EDISON
Wattage	30 W, 50 W
Type	LED
Luminous flux	140 lm / W
Life	≥ 50000 h
Rated voltage	220 V - 240 V AC 50 Hz / 60 Hz
Class of insulation	Class I
Degree of protection	IP 65
Operating temperature	-20 °C to +40 °C
Cable entry	G3/4
Corrosion-proof class	WF2

PHOTOMETRIC DATA

BPC8766 LED 30 W, 50 W photometric data
The data from EDISON lamp
Luminous intensity distribution cd / 1000 lm



cd / 1000 lm
Ratio of distance to height: 1.36

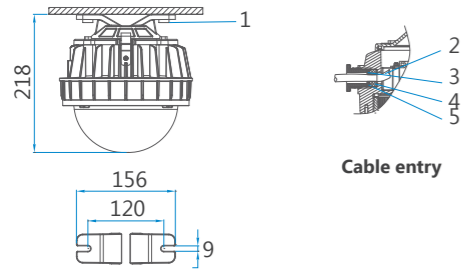
We can provide lighting design and data by professional lighting software based upon simulated site situation on request.

SELECTION TABLE

Model	Lamp power (W)	Lamp type (W)	Operating current (A)	Color temperature (K)	Weight (kg)
BPC8766/30/LED	30	LED	0.9	5500 - 6500 (cool white)	3.7
BPC8766/50/LED	50	LED	0.9	5500 - 6500 (cool white)	3.7

MOUNTING TYPE

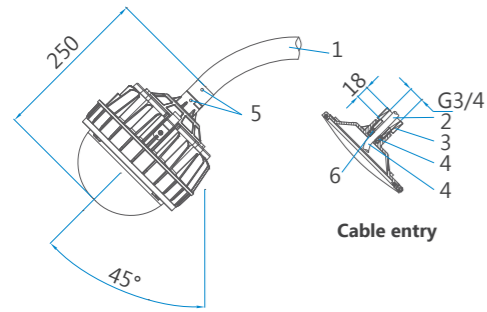
Ceiling mount



*all dimensions in mm

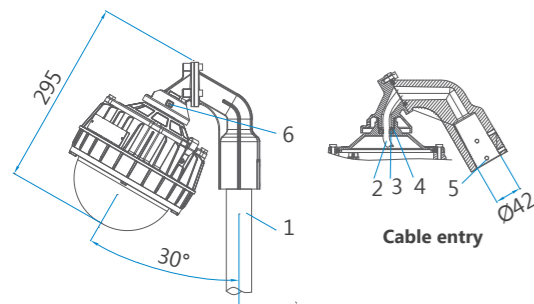
Accessories				
No.	Name	Spec.	Qty.	Remark
1	Expansion bolt (with nut, flat washer and spring washer)	M8 × 50	2	Provided by user
2	Three-core cable	Ø8 - Ø14	Determined by user	Provided by manufacturer
3	Gland nut	G3/4	1	
4	Sealing ring 1	Ø9 - Ø10	1	
5	Washer	14	1	Accessories should be ordered separately.
6	0.5 m three-core cable assembly	0.5 m	1	
7	3 m three-core cable assembly	3 m	1	
8	Sealing ring 2	Ø11 - Ø12	1	
9	Sealing ring 3	Ø13 - Ø14	1	

Pole mount (type A)



Accessories				
No.	Name	Spec.	Qty.	Remark
1	Pipe	G3/4	1	Provided by user
2	Three-core cable	Ø8 - Ø14	Determined by user	Provided by manufacturer
3	Adapter	G3/4	1	
4	Sealing ring 1	Ø9 - Ø10	1	
5	Set screw	M4 × 6	1	Accessories should be ordered separately.
6	Washer	14	1	
7	0.5 m three-core cable assembly	0.5 m	1	
8	3 m three-core cable assembly	3 m	1	
9	Sealing ring 2	Ø11 - Ø12	1	
10	Sealing ring 3	Ø13 - Ø14	1	

Pole mount (type B)



Accessories				
No.	Name	Spec.	Qty.	Remark
1	Pipe	Ø40	1	Provided by user
2	Three-core cable	Ø8 - Ø14	Determined by user	Provided by manufacturer
3	Sealing ring 1	Ø9 - Ø10	1	
4	Washer	14	1	
5	Hex socket screw	M6 × 35	4	Accessories should be ordered separately.
6	Set screw	M4 × 6	1	
7	Adapter assembly	Ø40	1	
8	3 m three-core cable assembly	3 m	1	
9	Sealing ring 2	Ø11 - Ø12	1	
10	Sealing ring 3	Ø13 - Ø14	1	

SPARE PARTS

Name	Picture	Ordering code	Weight (KG)
Light source - 30 W		1311010381	0.009
		1311010383	0.005
Light source - 50 W		1311010380	0.008
		1311010382	0.004
LED driver - 30 W		1311010389	0.404
LED driver - 50 W		1311010388	0.421