

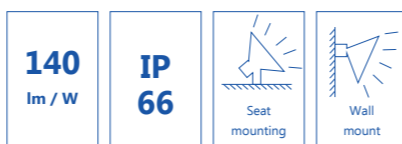
APPLICATIONS

I. BFC8116 Explosion-protected LED Light Fitting is designed for large area lighting in industrial outdoor hazardous locations, drilling sites, etc.
 II. BTC8116 Explosion-protected LED Light Fitting is suitable for use in outdoor locations of multipurpose stations, gas gathering stations and portable buildings on oilfields, as well as for illumination of facilities.

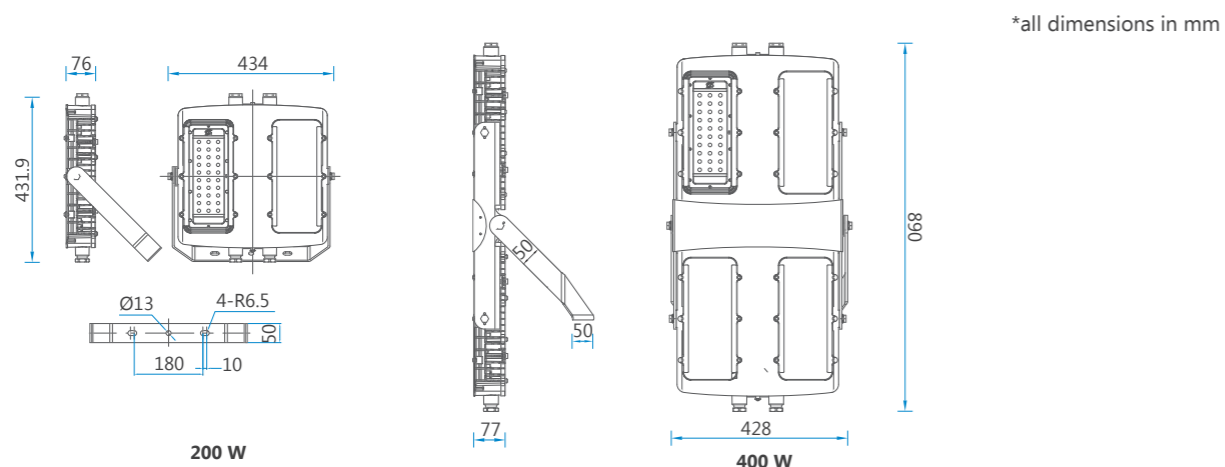
BFC8116 / BTC8116 EXPLOSION-PROTECTED LED LIGHT FITTING



- LED light source featuring high luminous efficacy and long life
- Two optical distributions: narrow beam and broad beam; available in warm white and cool white light sources
- Degree of protection: IP 66
- Suitable for seat mounting and wall mounting



DIMENSION DRAWINGS

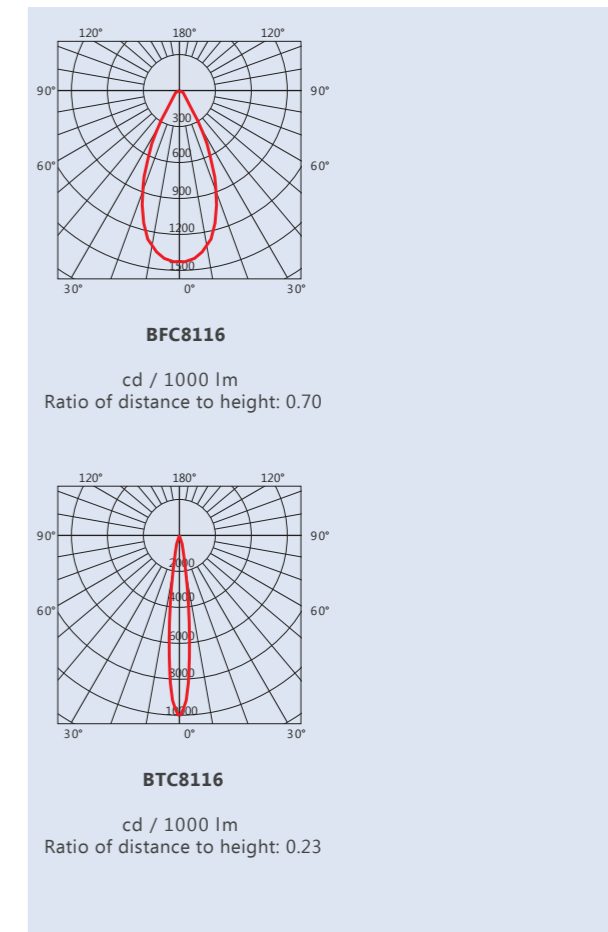


TECHNICAL DATA

Certification	
International approvals	IECEX, ATEX, SASO, CNEX
Coding	Ex nR mb IIC T3 Gc Ex tD A21 IP66 T195 °C
Conformity to standards	IEC 60079 / IEC 60598
Material	
Body material	Aluminum alloy with epoxy powder coating
Diffuser	Tempered glass
Light source	
Brand	CREE
Wattage	200 W, 400 W
Type	LED
Luminous flux	140 lm / W
Life	100000 h
Rated voltage	220 V - 240 V AC 50 Hz / 60 Hz
Class of insulation	Class I
Degree of protection	IP 66
Operating temperature	-20 °C to +40 °C
Cable entry	G3/4
Corrosion-proof class	WF2

PHOTOMETRIC DATA

BFC8116 200 W / 400 W, BTC8116 200 W / 400 W
 LED photometric data
 The data from CREE lamp
 Luminous intensity distribution cd / 1000 lm



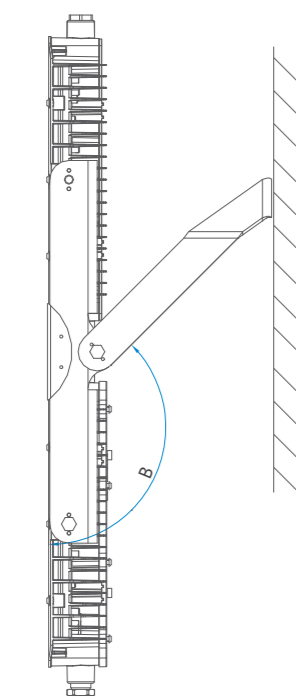
We can provide lighting design and data by professional lighting software based upon simulated site situation on request.

SELECTION TABLE

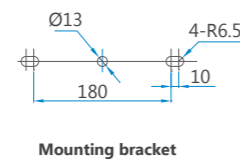
Model	Lamp power (W)	Lamp type (W)	Operating current (A)	Color temperature (K)	Weight (kg)
BFC8116/200/LED	200	LED	1.0	2700 - 3300 (warm white)	11.0
BFC8116/200/LED	200	LED	1.0	5000 - 6000 (cool white)	11.0
BTC8116/400/LED	2 × 200	LED	1.0	2700 - 3300 (warm white)	26.0
BTC8116/400/LED	2 × 200	LED	1.0	5000 - 6000 (cool white)	26.0

MOUNTING TYPE

Wall mount

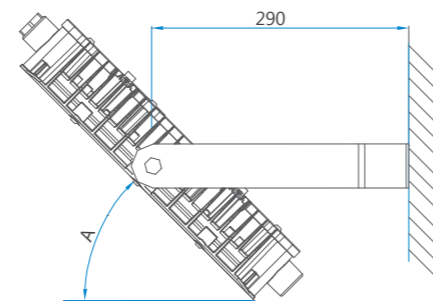


105° ≤ B ≤ 165°
400 W



Mounting bracket

*all dimensions in mm

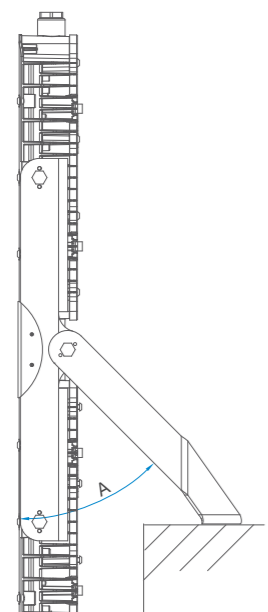


0° ≤ A ≤ 360°

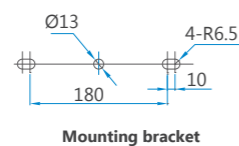
200 W

Accessories				
No.	Name	Spec.	Qty.	Remark
1	Expansion bolt (with nut, flat washer and spring washer)	M12 × 80	3	Provided by user
2	Three-core cable	Ø8 - Ø14	Determined by user	Provided by manufacturer
3	Sealing ring 1	Ø9 - Ø10	1	
4	Sealing ring 2	Ø11 - Ø12	1	
5	Sealing ring 3	Ø13 - Ø14	1	

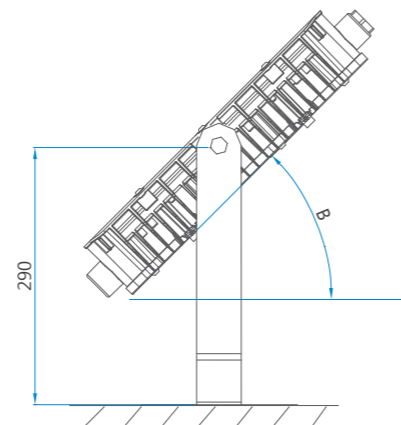
Seat mount



30° ≤ A ≤ 120°
400 W



Mounting bracket



0° ≤ B ≤ 360°

200 W

Accessories				
No.	Name	Spec.	Qty.	Remark
1	Expansion bolt (with nut, flat washer and spring washer)	M12 × 80	3	Provided by user
2	Three-core cable	Ø8 - Ø14	Determined by user	Provided by manufacturer
3	Sealing ring 1	Ø9 - Ø10	1	
4	Sealing ring 2	Ø11 - Ø12	1	
5	Sealing ring 3	Ø13 - Ø14	1	

SPARE PARTS

Name	Picture	Ordering code	Weight (KG)
Light source - 200 W (cool white)		1311010335	0.067
Light source - 200 W (warm white)		1311010336	0.064
LED driver - 200 W		1305030048	0.108