

## APPLICATIONS

Suitable for large area illumination of hazardous locations in Zone 2, outdoor operations, construction sites and facilities, etc.

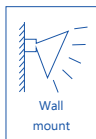
## BFC8115 / BTC8115 EXPLOSION-PROTECTED LED LIGHT FITTING



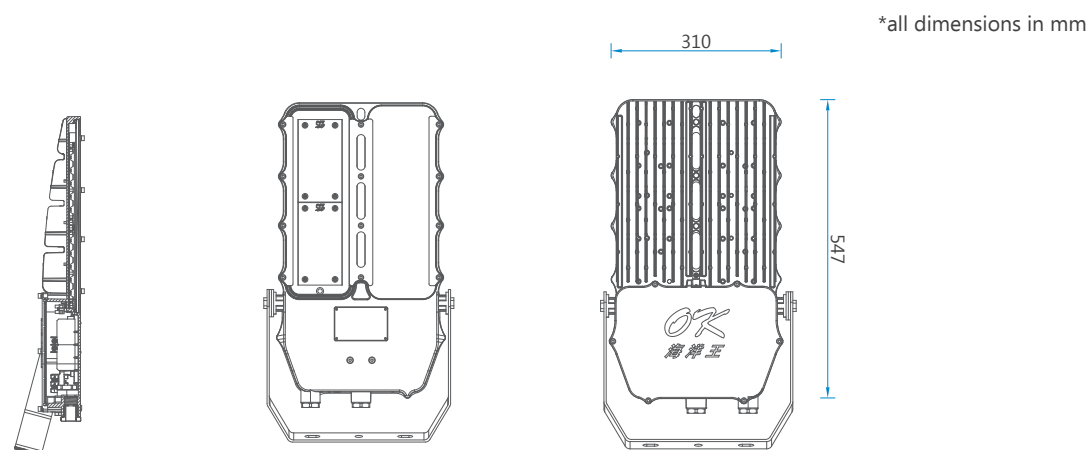
- For use in hazardous locations
- LED light source featuring high luminous efficacy and long life
- Two optical distributions: narrow beam and broad beam
- Light alloy made enclosure
- High reliability for long time use
- Suitable for seat mounting, wall mounting and ceiling mounting

140  
lm / W

IP  
65



## DIMENSION DRAWINGS

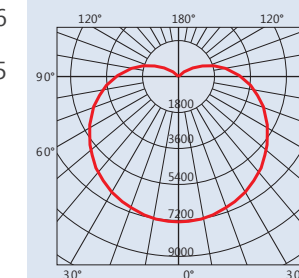


## TECHNICAL DATA

<b>Certification</b>	
International approvals	IECEX, ATEX, SASO, CNEX
Coding	Ex mb nA IIC T6 Gc, Ex tD A21 IP65 T6 Ex mb nA IIC T5 Gc, Ex tD A21 IP65 T5
<b>Conformity to standards</b>	IEC 60079 / IEC 60598
<b>Material</b>	
Body material	Aluminum alloy with epoxy powder coating
Diffuser	Tempered glass
<b>Light source</b>	
Brand	OSRAM
Wattage	70 W / 100 W / 150 W
Type	LED
Luminous flux	140 lm / W
Life	100000 h
<b>Rated voltage</b>	220 V - 240 V AC 50 Hz / 60 Hz
<b>Class of insulation</b>	Class I
<b>Degree of protection</b>	IP 65
<b>Operating temperature</b>	-20 °C to +40 °C
<b>Cable entry</b>	G3/4
<b>Corrosion-proof class</b>	WF2

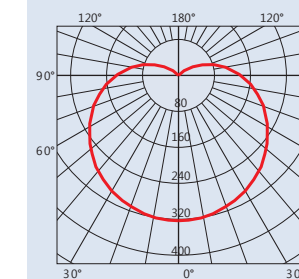
## PHOTOMETRIC DATA

BFC8115 70 W / 100 W / 150 W, BTC8115 100 W / 150 W  
LED photometric data  
The data from OSRAM lamp  
Luminous intensity distribution cd / 1000 lm



### Narrow beam

cd / 1000 lm  
Ratio of distance to height: 0.29



### Broad beam

cd / 1000 lm  
Ratio of distance to height: 1.32

We can provide lighting design and data by professional lighting software based upon simulated site situation on request.

## SELECTION TABLE

Model	Lamp power (W)	Lamp type (W)	Operating current (A)	Color temperature (K)	Weight (kg)
BFC8115/70/LED	70	LED	0.7	6200 - 7000	9.2
BFC8115/100/LED	100	LED	0.7	6200 - 7000	9.5
BFC8115/150/LED	150	LED	0.7	6200 - 7000	9.8
BTC8115/100/LED	100	LED	0.7	6200 - 7000	9.5
BTC8115/150/LED	150	LED	0.7	6200 - 7000	9.8

