

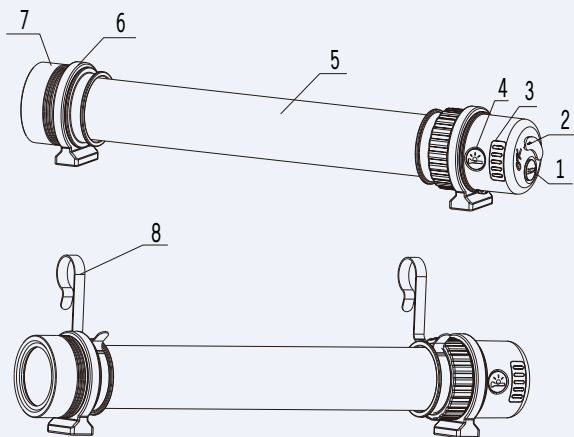
## FW6600

## Portable Worklight



- Available for use as a flashlight, mobile worklight or fixed lighting
- Providing soft optical distributions while eliminating eye strain
- 3 hours charging time by fast-charging mode
- Indication of available operating time and low power indicator
- Compact and robust design

### COMPONENTS



1. Broad beam button
2. Plug for charging port
3. Charging indicator
4. Narrow beam button
5. Cover
6. Magnetic ring
7. Light head
8. Hook

### APPLICATION



## TECHNICAL SPECIFICATION

### CERTIFICATION & APPROVALS

CQST approved.

### MATERIALS

**Enclosure** Aluminous alloy, Polycarbonate  
**Transparent cover** Polycarbonate

### ELECTRICAL PARAMETER

**Input** 100V~240V AC 50Hz~60Hz  
**Output** 7.4 V DC  
**Ambient temperature** -20 °C to +55 °C  
**Degree of protection** IP65

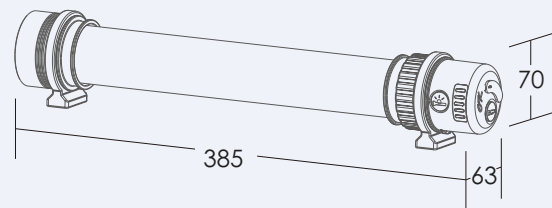
### BATTERY

**Type** Lithium battery  
**Capacity** 5 Ah  
**Battery life** approx. 1000 cycles  
**Charging time** ≤ 3 h  
**Duration**  
 > 5.5 h (broad beam, working light)  
 > 3.5 h (broad beam, spotlight)  
 > 35 h (narrow beam, working light)  
 > 20 h (narrow beam, spotlight)

### LAMP

**Type** LED  
**Current** 480 mA (strong light)  
**Watts** 9 W (broad beam)  
 3 W (narrow beam)  
**Lamp life** ≥ 100000 h  
**Center illuminance**  
 (2 m away from light source)  
 > 20 Lx (broad beam, working light)  
 > 30 Lx (broad beam, spotlight)  
 > 750 Lx (narrow beam, working light)  
 > 1500 Lx (narrow beam, spotlight)

### Dimensions in mm



### CONFORMITY TO STANDARDS

IEC60598

## SELECTION TABLE

Designation	Description	Weight
Lamp type	LED	0.70 kg