

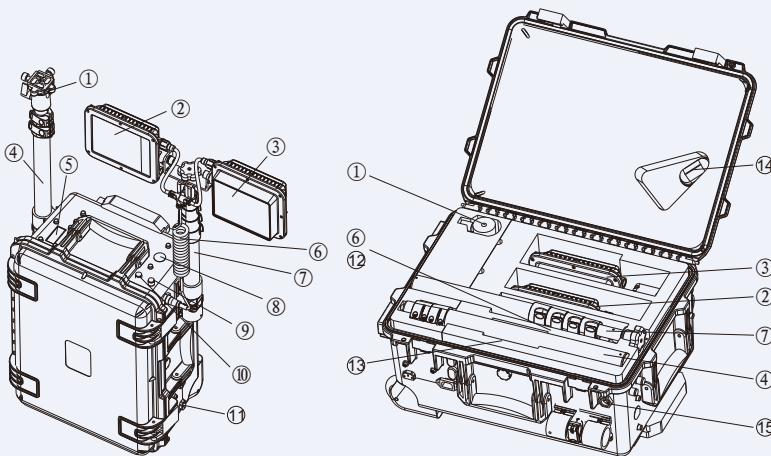
FW6108

Mobile Multifunctional Lighting System



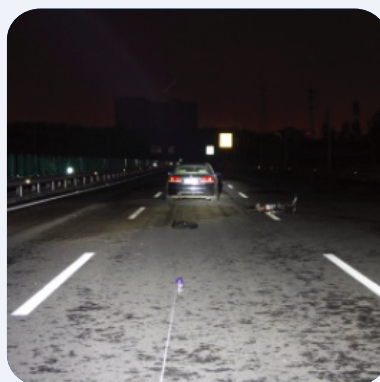
- Easy to carry and operate
- Supplied with two light heads: spotlight and floodlight
- Available for brightness adjustment
- Red and blue warning lights on the opposite sides of spotlight and floodlight
- Ergonomic design for convenient use

COMPONENTS



1. Pan-tilt head
2. Floodlight/Red warning light head
3. Spotlight/Blue warning light head
4. Telescopic mast for pan-tilt head
5. Battery capacity display
6. Spring wire
7. Telescopic mast for light head
8. Switch of warning light
9. Switch of spotlight
10. Switch of floodlight
11. Charging port
12. Extension wire for emergency use
13. Charger
14. Sensor lamp
15. Light head interface

APPLICATION



TECHNICAL SPECIFICATION

CERTIFICATION & APPROVALS

CQST approved.

MATERIALS

Enclosure Polycarbonate
Transparent cover Polycarbonate

ELECTRICAL PARAMETER

Input 100V~240V AC 50Hz~60Hz
Output 12 V DC
Ambient temperature -20 °C to +55 °C
Degree of protection IP65(Lighting head)/IP54(case)

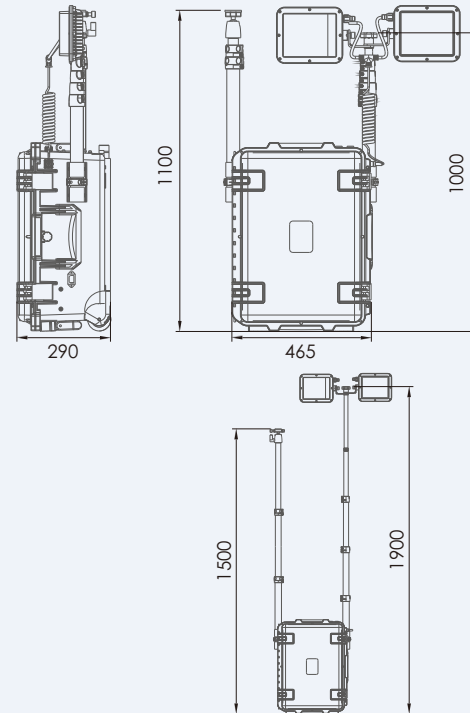
BATTERY

Type Lithium battery
Capacity 24 Ah
Battery life approx. 1000 cycles
Charging time ≤ 16 h
Duration ≥ 3.5 h (max. brightness of all lights)
 ≥ 10.5 h (max. brightness of spotlight)
 ≥ 7.5 h (max. brightness of floodlight)

LAMP

Type LED
Luminous flux 3000 lm / 5500 lm
Watts 25 W, 45 W
Lamp life ≥ 100000 h
Flash frequency 4 Hz

Dimensions in mm



CONFORMITY TO STANDARDS

IEC60598

SELECTION TABLE

Designation	Description	Weight
Lamp type	LED	25.0 kg