

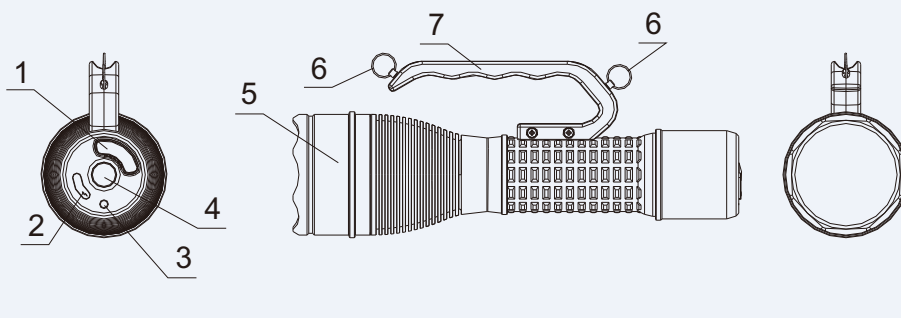
RJW7103 Explosion-protected Portable Searchlight



- Type of protection: flameproof enclosure, intrinsic safety
- LED light source providing high luminous efficacy, high brightness, excellent fog penetration
- Up to 1 hour of operating time after charging for 15 minutes by fast-charging mode
- Indication of available operating time and low power indicator
- Ingress protection to IP66/IP68
- Taillight offering extra safety of operation



COMPONENTS



1. Charging indicator
2. Charging port
3. Taillight
4. Switch
5. Light head
6. Carrying ring
7. Handle

APPLICATION



TECHNICAL SPECIFICATION

CERTIFICATION & APPROVALS

PCEC  Ex d ia II C T6 Gb

CE 16.1229

MATERIALS

Enclosure Aluminous alloy
Transparent cover Tempered glass

ELECTRICAL PARAMETER

Input 100V~240V AC 50Hz~60Hz
Output 22.2 V DC
Ambient temperature -20 °C to +55 °C
Degree of protection IP66 / IP68

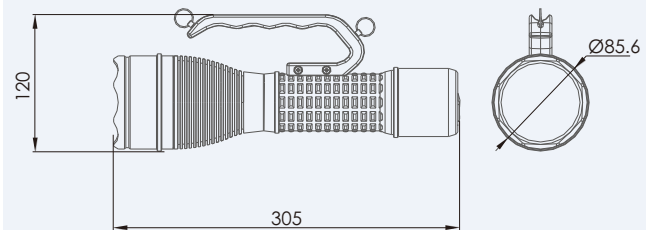
BATTERY

Type Lithium battery
Capacity 2.5 Ah
Battery life approx. 1000 cycles
Charging time ≤ 3 h (normal charging)
 ≤ 2 h (fast charging)
Duration ≥ 5 h (spotlight)
 ≥ 10 h (working light)

LAMP

Type LED
Luminous flux 500 lm (working light)
 1000 lm (spotlight)
Watts 12 W
Lamp life ≥ 100000 h

Dimensions in mm



CONFORMITY TO STANDARDS

IEC60079 / IEC60598

SELECTION TABLE

Designation	Description	Weight
Model	LED	1.40 kg