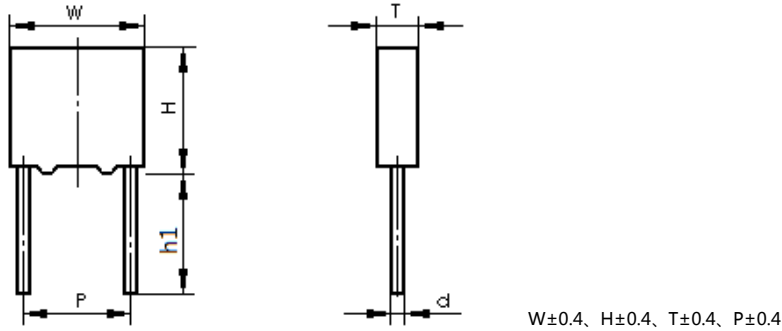


## MKP65 型抑制电源电磁干扰薄膜电容器 (X1 类,440Vac/480Vac/530Vac)

### Metallized Polypropylene Film Interference Suppression Capacitor (Class X1)

#### ◆ 外形尺寸图及产品结构 Outline Drawing and Capacitor Construction



#### ◆ 特点及用途 Application and Feature




耐压高、绝缘电阻高、频率响应快等，塑料外壳(UL94 V-0)和阻燃环氧树脂灌封，承受过压冲击能力好，具有优异的阻燃性能；适用于电源跨线电路等抗干扰场合。

High voltage, High insulation resistance, Good frequency response speed; Plastic case (UL94 V-0), Epoxy resin sealing, withstanding overvoltage stressing, has excellent active and passive flame resistant abilities; Suitable for using in across-the-line, interference suppression circuit.

#### ◆ 技术要求 Specifications

参照标准 Reference Standard	GBT 6346.14、IEC 60384-14		
气候类别/阻燃等级 Climatic Category/Passive Flammability Class	40/110/56/B		
工作温度范围 Operation Temperature Range	-40℃~+110℃		
额定电压 Rated Voltage	440Vac/480Vac/530Vac, 50/60Hz		
最大连续直流电压 Maximum Continuous DC Voltage	1000Vdc		
电容量范围 Capacitance Range	0.001μF~10μF		
电容量偏差 Capacitance Tolerance	±10%(K)、±20%(M)(20℃, 1kHz)		
耐电压 Voltage Proof	引线之间 Between Terminals	4.3U <sub>R</sub> (dc) (2s)	
	极壳之间 Between Terminals to case	2560Vac (1min)	
绝缘电阻 Insulation Resistance	$C_R \leq 0.33\mu F, IR \geq 15\ 000\ M\Omega$ $C_R > 0.33\mu F, IR \times C \geq 5\ 000s$ (20℃, 100V, 1min)		
损耗角正切 Dissipation Factor	0.001μF < C <sub>R</sub> ≤ 0.47μF	≤0.0010 (1kHz, 20℃)	≤0.0020 (10kHz, 20℃)
	0.47μF < C <sub>R</sub> ≤ 1.0μF	≤0.0020 (1kHz, 20℃)	≤0.0040 (10kHz, 20℃)
	1.0μF < C <sub>R</sub> < 10μF	≤0.0030 (1kHz, 20℃)	-

#### ◆ 安全认证 Safety Approvals

	CQC (中国)	GB/T6364.14, X1, 440Vac/480Vac, 0.0010μF~10.0μF, 40/110/56/B Certificate No.: CQC16001157176
	ENEC-VDE (德国)	IEC 60384-14, X1, 440Vac/480Vac, 0.0010μF~10.0μF, 40/110/56/B Certificate No.: 40044615
	UL-CUL (美国/加拿大)	UL60384-14, X1, 440Vac, 0.0010μF~10.0μF, 40/110/56/B UL60384-14, X1, 530Vac, 0.0010μF~2.2μF, 40/110/56/B Certificate No.: E217215



# MKP65

MKP65 series

◆ 产品尺寸: Product Dimension:

440Vac/480Vac <sup>▲</sup>																
C (μF)	W	H	T	P	d	产品代码 Part number	MOQ	C (μF)	W	H	T	P	d	产品代码 Part number	MOQ	
0.0010	10.5	9.0	4.0	7.5	0.6	MK65102-S130****	1000	0.01	18.0	9.5	5.0	15.0	0.6	MK65103-S160****	500	
0.0012	10.5	9.0	4.0	7.5	0.6	MK65122-S130****	1000	0.012	18.0	9.5	5.0	15.0	0.6	MK65123-S160****	500	
0.0015	10.5	9.0	4.0	7.5	0.6	MK65152-S130****	1000	0.015	18.0	9.5	5.0	15.0	0.6	MK65153-S160****	500	
0.0018	10.5	9.0	4.0	7.5	0.6	MK65182-S130****	1000	0.018	18.0	9.5	5.0	15.0	0.6	MK65183-S160****	500	
0.0022	10.5	9.0	4.0	7.5	0.6	MK65222-S130****	1000	0.022	18.0	9.5	5.0	15.0	0.6	MK65223-S160****	500	
0.0027	10.5	9.0	4.0	7.5	0.6	MK65272-S130****	1000	0.027	18.0	11.0	5.0	15.0	0.6	MK65273-S160****	500	
0.0033	10.5	9.0	4.0	7.5	0.6	MK65332-S130****	1000	0.033	18.0	11.0	5.0	15.0	0.6	MK65333-S160****	500	
0.0039	10.5	9.0	4.0	7.5	0.6	MK65392-S130****	1000	0.039	18.0	12.0	6.0	15.0	0.6	MK65393-S160****	500	
0.0047	10.5	9.0	4.0	7.5	0.6	MK65472-S130****	1000	0.047	18.0	12.0	6.0	15.0	0.6	MK65473-S160****	500	
0.0056	10.5	9.0	4.0	7.5	0.6	MK65562-S130****	1000	0.056M	18.0	12.0	6.0	15.0	0.6	MK65563MS161****	500	
0.0068	10.5	11.0	5.0	7.5	0.6	MK65682-S130****	1000	0.056K	18.0	12.0	7.0	15.0	0.6	MK65563KS160****	500	
0.0082	10.5	11.0	5.0	7.5	0.6	MK65822-S130****	1000	0.068	18.0	13.5	7.5	15.0	0.6	MK65683-S160****	500	
0.010	10.5	11.0	5.0	7.5	0.6	MK65103-S130****	1000	0.068	18.0	12.0	13.0	15.0	0.6	MK65683-S161****	500	
0.012	10.5	12.0	6.0	7.5	0.6	MK65123-S130****	1000	0.082	18.0	14.0	8.0	15.0	0.6	MK65823-S160****	500	
0.015	10.5	12.0	6.0	7.5	0.6	MK65153-S130****	1000	0.1M	18.0	14.0	8.0	15.0	0.6	MK65104MS160****	500	
0.001	13.0	9.0	4.0	10.0	0.6	MK65102-S140****	500	0.1K	18.0	14.5	8.5	15.0	0.6	MK65104KS160****	500	
0.0012	13.0	9.0	4.0	10.0	0.6	MK65122-S140****	500	0.12	18.0	16.0	10.0	15.0	0.8	MK65124-S160****	500	
0.0015	13.0	9.0	4.0	10.0	0.6	MK65152-S140****	500	0.15M	18.0	16.0	10.0	15.0	0.8	MK65154MS160****	500	
0.0018	13.0	9.0	4.0	10.0	0.6	MK65182-S140****	500	0.15K	18.0	19.0	11.0	15.0	0.8	MK65154KS160****	500	
0.0022	13.0	9.0	4.0	10.0	0.6	MK65222-S140****	500	0.18	18.0	19.0	11.0	15.0	0.8	MK65184-S160****	500	
0.0027	13.0	9.0	4.0	10.0	0.6	MK65272-S140****	500	0.039	26.5	15.0	6.0	22.5	0.8	MK65393-S190****	500	
0.0033	13.0	9.0	4.0	10.0	0.6	MK65332-S140****	500	0.047	26.5	15.0	6.0	22.5	0.8	MK65473-S190****	500	
0.0039	13.0	9.0	4.0	10.0	0.6	MK65392-S140****	500	0.056	26.5	15.0	6.0	22.5	0.8	MK65563-S190****	500	
0.0047	13.0	9.0	4.0	10.0	0.6	MK65472-S140****	500	0.068	26.5	15.0	6.0	22.5	0.8	MK65683-S190****	500	
0.0056	13.0	9.0	4.0	10.0	0.6	MK65562-S140****	500	0.082	26.5	15.0	6.0	22.5	0.8	MK65823-S190****	500	
0.0068	13.0	9.0	4.0	10.0	0.6	MK65682-S140****	500	0.1	26.5	15.0	6.0	22.5	0.8	MK65104-S190****	500	
0.0082	13.0	9.0	4.0	10.0	0.6	MK65822-S140****	500	0.12	26.5	15.0	6.0	22.5	0.8	MK65124-S190****	500	
0.010	13.0	9.0	4.0	10.0	0.6	MK65103-S140****	500	0.15	26.5	16.0	7.0	22.5	0.8	MK65154-S190****	500	
0.012	13.0	11.0	5.0	10.0	0.6	MK65123-S140****	500	0.18	26.5	17.0	8.5	22.5	0.8	MK65184-S190****	500	
0.015	13.0	11.0	5.0	10.0	0.6	MK65153-S140****	500	0.22	26.5	17.0	8.5	22.5	0.8	MK65224-S190****	500	
0.018	13.0	11.0	5.0	10.0	0.6	MK65183-S140****	500	0.27	26.5	18.5	10.0	22.5	0.8	MK65274-S190****	200	
0.022	13.0	11.0	5.0	10.0	0.6	MK65223-S140****	500	0.33	26.5	20.0	11.0	22.5	0.8	MK65334-S190****	200	
0.027	13.0	12.0	6.0	10.0	0.6	MK65273-S140****	500	0.39	26.5	20.0	11.0	22.5	0.8	MK65394-S190****	200	
0.033	13.0	12.0	6.0	10.0	0.6	MK65333-S140****	500	0.47M	26.5	22.0	12.0	22.5	0.8	MK65474MS191****	200	
0.039	13.0	13.0	7.0	10.0	0.6	MK65393-S140****	500	0.47K	26.5	23.0	13.5	22.5	0.8	MK65474KS190****	200	
0.047M	13.0	13.0	7.0	10.0	0.6	MK65473MS141****	500	0.56M	26.5	23.0	13.5	22.5	0.8	MK65564MS191****	200	
0.047K	13.0	14.0	8.0	10.0	0.6	MK65473KS140****	500	0.56K	26.5	24.5	15.5	22.5	0.8	MK65564KS190****	200	
0.056	13.0	14.0	8.0	10.0	0.6	MK65563-S140****	500	0.68M	26.5	24.5	15.5	22.5	0.8	MK65684MS190****	200	

备注:

“-”: 客户要求的容量偏差

“\*\*\*\*”: 引线加工和包装代码 (见 15 页表 4)

“▲”: 当额定电压为 480Vac 时, 第 9~10 位为 S3

MOQ: 最小订单量

“-”=custom's capacitor tolerance code, K=±10%, M=±20%

“\*\*\*\*”= Lead form and packing code (refer to table 4 in page 15)

“▲”=when the rated voltage is 480Vac, the digit 9~10 is S3

MOQ = Minimum order quantity

◆ 产品尺寸: Product Dimension:

440Vac/480Vac <sup>▲</sup>																
C ( $\mu$ F)	W	H	T	P	d	产品代码 Part number	MOQ	C ( $\mu$ F)	W	H	T	P	d	产品代码 Part number	MOQ	
0.15	32.0	18.0	9.0	27.5	0.8	MK65154-S1B0****	200	0.33	42.0	22.0	11.0	37.5	1.0	MK65334-S1E0****	50	
0.18	32.0	18.0	9.0	27.5	0.8	MK65184-S1B0****	200	0.39	42.0	22.0	11.0	37.5	1.0	MK65394-S1E0****	50	
0.22	32.0	18.0	9.0	27.5	0.8	MK65224-S1B0****	200	0.47	42.0	22.0	11.0	37.5	1.0	MK65474-S1E0****	50	
0.27	32.0	18.0	9.0	27.5	0.8	MK65274-S1B0****	200	0.56	42.0	22.0	11.0	37.5	1.0	MK65564-S1E0****	50	
0.33	32.0	18.0	9.0	27.5	0.8	MK65334-S1B0****	200	0.68	42.0	22.0	11.0	37.5	1.0	MK65684-S1E0****	50	
0.33	32.0	12.0	18.0	27.5	0.8	MK65334-S1B0****	100	0.82M	42.0	22.0	11.0	37.5	1.0	MK65824MS1E1****	50	
0.39	32.0	20.0	11.0	27.5	0.8	MK65394-S1B0****	100	0.82	42.0	24.0	13.0	37.5	1.0	MK65824-S1E0****	50	
0.47	32.0	20.0	11.0	27.5	0.8	MK65474-S1B0****	100	1.0	42.0	24.0	13.0	37.5	1.0	MK65105-S1E0****	50	
0.47	32.0	12.0	22.0	27.5	0.8	MK65474-S1B0****	100	1.0	42.0	15.0	24.0	37.5	1.0	MK65105-S1E0****	50	
0.56	32.0	22.0	13.0	27.5	0.8	MK65564-S1B0****	100	1.2	42.0	26.0	15.0	37.5	1.0	MK65125-S1E0****	50	
0.68	32.0	24.5	15.0	27.5	0.8	MK65684-S1B0****	100	1.2	42.0	28.0	14.0	37.5	1.0	MK65125-S1E1****	50	
0.68	32.0	25.0	13.0	27.5	0.8	MK65684-S1B1****	100	1.5	42.0	30.0	16.0	37.5	1.0	MK65155-S1E0****	50	
0.68M	32.0	22.0	13.0	27.5	0.8	MK65684MS1B2****	100	1.5	42.0	19.0	24.0	37.5	1.0	MK65155-S1E1****	50	
0.68	32.0	16.0	22.0	27.5	0.8	MK65684-S1B3****	100	1.5M	42.0	28.0	14.0	37.5	1.0	MK65155MS1E2****	50	
0.82	32.0	24.5	15.0	27.5	0.8	MK65824-S1B0****	100	1.5M	42.0	26.0	15.0	37.5	1.0	MK65155MS1E3****	50	
0.82K	32.0	28.0	14.0	27.5	0.8	MK65824KS1B1****	100	1.8M	42.0	30.0	16.0	37.5	1.0	MK65185MS1E1****	50	
0.82M	32.0	25.0	13.0	27.5	0.8	MK65824MS1B2****	100	1.8	42.0	32.0	17.0	37.5	1.0	MK65185-S1E0****	50	
1.0	32.0	28.0	17.0	27.5	0.8	MK65105-S1B0****	100	2.2M	42.0	32.0	17.0	37.5	1.0	MK65225MS1E1****	50	
1.0	32.0	18.5	31.0	27.5	0.8	MK65105-S1B1****	50	2.2	42.0	33.5	18.5	37.5	1.0	MK65225-S1E0****	50	
1.0	32.0	30.0	16.0	27.5	0.8	MK65105-S1B2****	50	2.7	42.0	37.0	22.0	37.5	1.0	MK65275-S1E0****	50	
1.0M	32.0	16.0	27.5	27.5	0.8	MK65105MS1B3****	50	3.3	42.0	41.0	26.0	37.5	1.0	MK65335-S1E0****	50	
1.2	32.0	33.0	18.0	27.5	0.8	MK65125-S1B0****	50	3.3	42.0	37.5	27.5	37.5	1.0	MK65335-S1E1****	20	
1.2	32.0	29.0	19.0	27.5	0.8	MK65125-S1B1****	50	3.3M	42.0	37.0	22.0	37.5	1.0	MK65335MS1E2****	20	
1.2M	32.0	28.0	17.0	27.5	0.8	MK65125MS1B2****	50	3.9	42.0	41.0	26.0	37.5	1.0	MK65395-S1E0****	20	
1.2M	32.0	30.0	16.0	27.5	0.8	MK65125MS1B3****	50	3.9	42.0	37.5	27.5	37.5	1.0	MK65395-S1E1****	20	
1.5	32.0	33.0	18.0	27.5	0.8	MK65155-S1B0****	50	4.7M	42.0	43.0	28.0	37.5	1.0	MK65475MS1E2****	20	
1.5M	32.0	29.0	19.0	27.5	0.8	MK65155MS1B1****	50	4.7	42.0	45.0	30.0	37.5	1.0	MK65475-S1E0****	20	
1.5M	32.0	18.5	31.0	27.5	0.8	MK65155MS1B2****	50	4.7	57.0	38.0	24.0	52.5	1.2	MK65475-S1G0****	20	
1.8	32.0	37.0	22.0	27.5	0.8	MK65185-S1B0****	50	5.6	57.0	45.0	30.0	52.5	1.2	MK65565-S1G0****	20	
2.2M	32.0	37.0	22.0	27.5	0.8	MK65225MS1B0****	50	6.8	57.0	45.0	30.0	52.5	1.2	MK65685-S1G0****	20	
								6.8	57.0	30.0	44.0	52.5	1.2	MK65685-S1G1****	20	
								8.2	57.0	50.0	35.0	52.5	1.2	MK65825-S1G0****	20	
								10	57.0	50.0	35.0	52.5	1.2	MK65106-S1G0****	20	

备注:

“-”: 客户要求的容量偏差

“\*\*\*\*”: 引线加工和包装代码 (见 15 页表 4)

“▲”: 当额定电压为 480Vac 时, 第 9~10 位为 S3

MOQ: 最小订单量

“-”=custom's capacitor tolerance code, K=±10%, M=±20%

“\*\*\*\*”= Lead form and packing code (refer to table 4 in page 15)

“▲”=when the rated voltage is 480Vac, the digit 9~10 is S3

MOQ = Minimum order quantity



# MKP65

MKP65 series

◆ 产品尺寸: **Product Dimension:**

530Vac																
C (μF)	W	H	T	P	d	产品代码 Part number	MOQ	C (μF)	W	H	T	P	d	产品代码 Part number	MOQ	
0.001	10.5	9.0	4.0	7.5	0.6	MK65102-H33A****	1000	0.001	13.0	9.0	4.0	10.0	0.6	MK65102-H34A****	500	
0.0012	10.5	9.0	4.0	7.5	0.6	MK65122-H33A****	1000	0.0012	13.0	9.0	4.0	10.0	0.6	MK65122-H34A****	500	
0.0015	10.5	9.0	4.0	7.5	0.6	MK65152-H33A****	1000	0.0015	13.0	9.0	4.0	10.0	0.6	MK65152-H34A****	500	
0.0018	10.5	9.0	4.0	7.5	0.6	MK65182-H33A****	1000	0.0018	13.0	9.0	4.0	10.0	0.6	MK65182-H34A****	500	
0.0022	10.5	9.0	4.0	7.5	0.6	MK65222-H33A****	1000	0.0022	13.0	9.0	4.0	10.0	0.6	MK65222-H34A****	500	
0.0027	10.5	9.0	4.0	7.5	0.6	MK65272-H33A****	1000	0.0027	13.0	9.0	4.0	10.0	0.6	MK65272-H34A****	500	
0.0033	10.5	9.0	4.0	7.5	0.6	MK65332-H33A****	1000	0.0033	13.0	9.0	4.0	10.0	0.6	MK65332-H34A****	500	
0.0039	10.5	9.0	4.0	7.5	0.6	MK65392-H33A****	1000	0.0039	13.0	9.0	4.0	10.0	0.6	MK65392-H34A****	500	
0.0047	10.5	10.0	5.0	7.5	0.6	MK65472-H33A****	1000	0.0047	13.0	9.0	4.0	10.0	0.6	MK65472-H34A****	500	
0.0056	10.5	10.0	5.0	7.5	0.6	MK65562-H33A****	1000	0.0056	13.0	11.0	5.0	10.0	0.6	MK65562-H34A****	500	
0.0068	10.5	11.0	5.0	7.5	0.6	MK65682-H33A****	1000	0.0068	13.0	11.0	5.0	10.0	0.6	MK65682-H34A****	500	
0.0082	10.5	12.0	6.0	7.5	0.6	MK65822-H33A****	1000	0.0082	13.0	11.0	5.0	10.0	0.6	MK65822-H34A****	500	
0.01	10.5	12.0	6.0	7.5	0.6	MK65103-H33A****	1000	0.01	13.0	12.0	6.0	10.0	0.6	MK65103-H34A****	500	
								0.015	13.0	13.0	7.0	10.0	0.6	MK65153-H34A****	500	

备注:

可用于高频的电容降压电路

“-”: 客户要求的容量偏差

“\*\*\*\*”: 引线加工和包装代码 (见 15 页表 4)

MOQ: 最小订单量

Used in capacitive divider with high frequency

“-”=custom's capacitor tolerance code, J=±5%, K=±10%, M=±20%

“\*\*\*\*”= Lead form and packing code (refer to table 4 in page 15)

MOQ = Minimum order quantity

◆ 产品尺寸: **Product Dimension:**

530Vac															
C (μF)	W	H	T	P	d	产品代码 Part number	MOQ	C (μF)	W	H	T	P	d	产品代码 Part number	MOQ
0.012	18.0	11.0	5.0	15.0	0.8	MK65123-H360****	500	0.12	32.0	18.0	9.0	27.5	0.8	MK65124-H3B0****	200
0.015	18.0	11.0	5.0	15.0	0.8	MK65153-H360****	500	0.15	32.0	20.0	11.0	27.5	0.8	MK65154-H3B0****	100
0.018	18.0	12.0	6.0	15.0	0.8	MK65183-H360****	500	0.18	32.0	20.0	11.0	27.5	0.8	MK65184-H3B0****	100
0.022	18.0	12.0	6.0	15.0	0.8	MK65223-H360****	500	0.22	32.0	22.0	13.0	27.5	0.8	MK65224-H3B0****	100
0.027	18.0	13.0	7.0	15.0	0.8	MK65273-H360****	500	0.27	32.0	22.0	13.0	27.5	0.8	MK65274-H3B0****	100
0.033	18.0	13.5	7.5	15.0	0.8	MK65333-H360****	500	0.33	32.0	25.0	13.0	27.5	0.8	MK65334-H3B0****	100
0.039	18.0	14.0	8.0	15.0	0.8	MK65393-H360****	500	0.39	32.0	25.5	16.0	27.5	0.8	MK65394-H3B0****	100
0.047	18.0	14.5	8.5	15.0	0.8	MK65473-H360****	500	0.47	32.0	28.0	17.0	27.5	0.8	MK65474-H3B0****	50
0.056	18.0	16.0	10.0	15.0	0.8	MK65563-H360****	500	0.56	32.0	33.0	18.0	27.5	0.8	MK65564-H3B0****	50
0.068	18.0	19.0	11.0	15.0	0.8	MK65683-H360****	500	0.27	42.0	22.0	11.0	37.5	1.0	MK65274-H3E0****	50
0.082	18.0	19.0	11.0	15.0	0.8	MK65823-H360****	500	0.33	42.0	22.0	11.0	37.5	1.0	MK65334-H3E0****	50
0.047	26.5	15.0	6.0	22.5	0.8	MK65473-H390****	500	0.39	42.0	24.0	13.0	37.5	1.0	MK65394-H3E0****	50
0.056	26.5	15.0	6.0	22.5	0.8	MK65563-H390****	500	0.47	42.0	28.0	14.0	37.5	1.0	MK65474-H3E0****	50
0.068	26.5	16.0	7.0	22.5	0.8	MK65683-H390****	500	0.56	42.0	28.0	14.0	37.5	1.0	MK65564-H3E0****	50
0.082	26.5	17.0	8.5	22.5	0.8	MK65823-H390****	500	0.68	42.0	30.0	16.0	37.5	1.0	MK65684-H3E0****	50
0.1	26.5	17.0	8.5	22.5	0.8	MK65104-H390****	500	0.82	42.0	32.0	17.0	37.5	1.0	MK65824-H3E0****	50
0.12	26.5	18.5	10.0	22.5	0.8	MK65124-H390****	200	1	42.0	33.5	18.5	37.5	1.0	MK65105-H3E0****	50
0.15	26.5	20.0	11.0	22.5	0.8	MK65154-H390****	200	1.2	42.0	37.0	22.0	37.5	1.0	MK65125-H3E0****	50
0.18	26.5	22.0	12.0	22.5	0.8	MK65184-H390****	200	1.5	42.0	38.0	24.0	37.5	1.0	MK65155-H3E0****	50
								1.8	42.0	41.0	26.0	37.5	1.0	MK65185-H3E0****	20
								2.2	42.0	45.0	30.0	37.5	1.0	MK65225-H3E0****	20

备注:

“-”: 客户要求的容量偏差

“\*\*\*\*”: 引线加工和包装代码 (见 15 页表 4)

MOQ: 最小订单量

“-”=custom's capacitor tolerance code, K=±10%, M=±20%

“\*\*\*\*”= Lead form and packing code (refer to table 4 in page 15)

MOQ = Minimum order quantity