

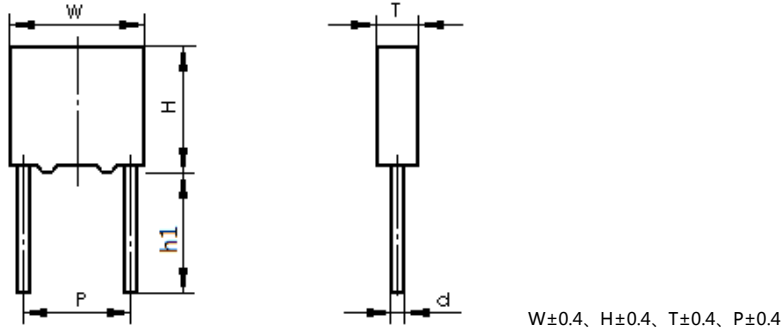


MKP63
MKP63 series

MKP63 型抑制电源电磁干扰薄膜电容器 (Y2 类, 300Vac)

Metallized Polypropylene Film Interference Suppression Capacitor (Class Y2)

◆ 外形尺寸图及产品结构 Outline Drawing and Capacitor Construction



◆ 特点及用途 Application and Feature

具有耐压高、绝缘电阻高、过压冲击特性好等特点，塑料外壳(UL94 V-0)，阻燃环氧树脂灌封；适用于电源接地、旁路、天线耦合等抗干扰场合。

High-voltage proof, High insulation resistance, withstanding overvoltage stressing, Plastic case (UL94 V-0), Epoxy resin sealing, Widely used in line to ground, line-by-pass, antenna coupling interference suppression circuit, etc.

◆ 技术要求 Specifications

参照标准 Reference Standard	GBT 6346.14、IEC 60384-14		
气候类别/阻燃等级 Climatic category/Passive Flammability Class	40/110/56/B		
工作温度范围 Operation Temperature Range	-40℃~+110℃		
额定电压 Rated Voltage (50/60Hz)	300Vac (50/60Hz)		
最大连续直流电压 Maximum Continuous Voltage	1500Vdc		
电容量范围 Capacitance Range	0.001μF~1.0μF		
电容量偏差 Capacitance Tolerance	±10%(K)、±20%(M) (20℃, 1kHz)		
耐电压 Voltage Proof	引线之间 Between Terminals	2000Vac (2s) or	4000Vdc (2s) $C_R \leq 0.33\mu F$ 3700Vdc (2s) $C_R > 0.33\mu F$
	极壳之间 Between Terminals to case	2500Vac (1min)	
绝缘电阻 Insulation Resistance	$C_R \leq 0.33\mu F$, $IR \geq 15\ 000\ M\Omega$ $C_R > 0.33\mu F$, $IR \times C \geq 5\ 000s$ (20℃, 100V, 1min)		
损耗角正切 Dissipation Factor	1kHz: $\tan \delta \leq 0.0030$ 10kHz: $\tan \delta \leq 0.0040$ ($C_R \leq 1\mu F$) (20℃)		

◆ 安全认证 Safety Approvals

	CQC (中国)	GBT 6346.14, Y2, 300Vac, 0.0010μF~1.0μF, 40/110/56/B Certificate No.: CQC13001094107
	ENEC-VDE (德国)	IEC 60384-14, Y2, 300Vac, 0.0010μF~1.0μF, 40/110/56/B Certificate No.: 40037168
	UL-CUL (美国/加拿大)	UL60384-14, Y2, 300Vac, 0.0010μF~1.0μF, 40/110/56/B Certificate No.: E217215

◆ 产品尺寸: Product Dimension:

300Vac															
C (μF)	W	H	T	P	d	产品代码 Part number	MOQ	C (μF)	W	H	T	P	d	产品代码 Part number	MOQ
0.001	10.5	9.0	4.0	7.5	0.6	MK63102-F230****	1000	0.01	18.0	9.5	5.0	15.0	0.6	MK63103-F26X****	500
0.0012	10.5	9.0	4.0	7.5	0.6	MK63122-F230****	1000	0.01	18.0	11.0	5.0	15.0	0.6	MK63103-F260****	500
0.0015	10.5	9.0	4.0	7.5	0.6	MK63152-F230****	1000	0.012	18.0	11.0	5.0	15.0	0.6	MK63123-F260****	500
0.0018	10.5	9.0	4.0	7.5	0.6	MK63182-F230****	1000	0.015	18.0	11.0	5.0	15.0	0.6	MK63153-F26X****	500
0.0022	10.5	9.0	4.0	7.5	0.6	MK63222-F230****	1000	0.015	18.0	12.0	6.0	15.0	0.8	MK63153-F260****	500
0.0027	10.5	9.0	4.0	7.5	0.6	MK63272-F230****	1000	0.018	18.0	12.0	6.0	15.0	0.8	MK63183-F260****	500
0.0033	10.5	11.0	5.0	7.5	0.6	MK63332-F230****	1000	0.022	18.0	12.0	6.0	15.0	0.8	MK63223-F26X****	500
0.0039	10.5	11.0	5.0	7.5	0.6	MK63392-F230****	1000	0.022	18.0	13.0	7.0	15.0	0.8	MK63223-F260****	500
0.0047	10.5	12.0	6.0	7.5	0.6	MK63472-F230****	1000	0.027	18.0	12.0	7.0	15.0	0.8	MK63273-F26X****	500
0.0056	10.5	12.0	6.0	7.5	0.6	MK63562-F230****	1000	0.027	18.0	13.5	7.5	15.0	0.8	MK63273-F260****	500
0.001	13.0	9.0	4.0	10.0	0.6	MK63102-F240****	500	0.033	18.0	13.5	7.5	15.0	0.8	MK63333-F26X****	500
0.0012	13.0	9.0	4.0	10.0	0.6	MK63122-F240****	500	0.033	18.0	14.0	8.0	15.0	0.8	MK63333-F260****	500
0.0015	13.0	9.0	4.0	10.0	0.6	MK63152-F240****	500	0.039	18.0	13.5	7.5	15.0	0.8	MK63393-F26X****	500
0.0018	13.0	9.0	4.0	10.0	0.6	MK63182-F240****	500	0.039	18.0	14.5	8.5	15.0	0.8	MK63393-F260****	500
0.0022	13.0	9.0	4.0	10.0	0.6	MK63222-F240****	500	0.047	18.0	14.5	8.5	15.0	0.8	MK63473-F26X****	500
0.0027	13.0	9.0	4.0	10.0	0.6	MK63272-F240****	500	0.047	18.0	16.0	10.0	15.0	0.8	MK63473-F260****	500
0.0033	13.0	9.0	4.0	10.0	0.6	MK63332-F240****	500	0.056	18.0	16.0	10.0	15.0	0.8	MK63563-F26X****	500
0.0039	13.0	9.0	4.0	10.0	0.6	MK63392-F24X****	1000	0.056	18.0	18.0	10.0	15.0	0.8	MK63563-F260****	500
0.0039	13.0	11.0	5.0	10.0	0.6	MK63392-F240****	500	0.068	18.0	16.0	10.0	15.0	0.8	MK63683-F26X****	500
0.0047	13.0	11.0	5.0	10.0	0.6	MK63472-F240****	500	0.068	18.0	19.0	11.0	15.0	0.8	MK63683-F260****	500
0.0056	13.0	11.0	5.0	10.0	0.6	MK63562-F240****	500	0.082	18.0	19.0	11.0	15.0	0.8	MK63823-F26X****	500
0.0068	13.0	11.0	5.0	10.0	0.6	MK63682-F24X****	1000	0.082	18.0	21.0	12.0	15.0	0.8	MK63823-F260****	500
0.0068	13.0	12.0	6.0	10.0	0.6	MK63682-F240****	500								
0.0082	13.0	12.0	6.0	10.0	0.6	MK63822-F240****	500								
0.01	13.0	12.0	6.0	10.0	0.6	MK63103-F24X****	1000								
0.01	13.0	13.0	7.0	10.0	0.6	MK63103-F240****	500								
0.012	13.0	12.0	6.0	10.0	0.6	MK63123-F24X****	1000								
0.015	13.0	13.0	7.0	10.0	0.6	MK63153-F24X****	1000								
0.022	13.0	18.0	7.0	10.0	0.6	MK63223-F24X****	1000								

备注:

“-”: 客户要求的容量偏差

“****”: 引线加工和包装代码 (见 15 页表 4)

MOQ: 最小订单量

“-”=custom's capacitor tolerance code, K=±10%, M=±20%

“****”= Lead form and packing code (refer to table 4 in page 15)

MOQ = Minimum order quantity



MKP63

MKP63 series

◆ 产品尺寸: **Product Dimension:**

300Vac																
C (μF)	W	H	T	P	d	产品代码 Part number	MOQ	C (μF)	W	H	T	P	d	产品代码 Part number	MOQ	
0.047	26.5	15.0	6.0	22.5	0.8	MK63473-F290****	500	0.27	32.0	24.5	14.0	27.5	0.8	MK63274-F2B0****	100	
0.056	26.5	15.0	6.0	22.5	0.8	MK63563-F29X****	500	0.33	32.0	25.0	13.0	27.5	0.8	MK63334-F2BX****	100	
0.056	26.5	16.0	7.0	22.5	0.8	MK63563-F290****	500	0.33	32.0	25.5	16.0	27.5	0.8	MK63334-F2B0****	100	
0.068	26.5	16.0	7.0	22.5	0.8	MK63683-F290****	500	0.39	32.0	28.0	16.0	27.5	0.8	MK63394-F2B0****	100	
0.082	26.5	16.0	7.0	22.5	0.8	MK63823-F29X****	500	0.47	32.0	30.0	16.0	27.5	0.8	MK63474-F2BX****	10	
0.082	26.5	17.0	8.5	22.5	0.8	MK63823-F290****	500	0.47	32.0	29.0	18.5	27.5	0.8	MK63474-F2B0****	100	
0.1	26.5	17.0	8.5	22.5	0.8	MK63104-F29X****	500	0.56	32.0	30.0	16.0	27.5	0.8	MK63564-F2BX****	50	
0.1	26.5	18.0	9.0	22.5	0.8	MK63104-F290****	500	0.56	32.0	31.0	21.0	27.5	0.8	MK63564-F2B0****	50	
0.12	26.5	17.0	8.5	22.5	0.8	MK63124-F29X****	500	0.68	32.0	33.0	18.0	27.5	0.8	MK63684-F2BX****	50	
0.12	26.5	20.0	11.0	22.5	0.8	MK63124-F290****	200	0.68	32.0	33.0	23.0	27.5	0.8	MK63684-F2B0****	50	
0.15	26.5	18.5	10.0	22.5	0.8	MK63154-F29X****	500	0.82	32.0	37.0	22.0	27.5	0.8	MK63824-F2BX****	50	
0.15	26.5	20.0	11.0	22.5	0.8	MK63154-F290****	200	0.82	32.0	36.5	25.0	27.5	0.8	MK63824-F2B0****	50	
0.18	26.5	20.0	11.0	22.5	0.8	MK63184-F29X****	200	1	32.0	37.0	22.0	27.5	0.8	MK63105-F2BX****	50	
0.18	26.5	22.0	13.0	22.5	0.8	MK63184-F290****	200	1	32.0	39.5	27.5	27.5	0.8	MK63105-F2B0****	50	
0.22	26.5	22.0	12.0	22.5	0.8	MK63224-F29X****	200	0.33	42.0	22.0	11.0	37.5	1.0	MK63334-F2EX****	50	
0.22	26.5	25.0	15.0	22.5	0.8	MK63224-F290****	200	0.33	42.0	25.0	14.0	37.5	1.0	MK63334-F2E0****	50	
0.27	26.5	23.0	13.5	22.5	0.8	MK63274-F29X****	200	0.39	42.0	24.0	13.0	37.5	1.0	MK63394-F2EX****	50	
0.27	26.5	26.0	16.0	22.5	0.8	MK63274-F290****	100	0.39	42.0	25.0	14.0	37.5	1.0	MK63394-F2E0****	50	
0.33	26.5	24.5	15.5	22.5	0.8	MK63334-F29X****	100	0.47	42.0	24.0	13.0	37.5	1.0	MK63474-F2EX****	50	
0.33	26.5	27.5	17.0	22.5	0.8	MK63334-F290****	100	0.47	42.0	26.0	15.0	37.5	1.0	MK63474-F2E0****	50	
0.1	32.0	18.0	9.0	27.5	0.8	MK63104-F2B0****	200	0.56	42.0	26.0	15.0	37.5	1.0	MK63564-F2EX****	50	
0.12	32.0	18.0	9.0	27.5	0.8	MK63124-F2B0****	200	0.56	42.0	29.0	17.0	37.5	1.0	MK63564-F2E0****	50	
0.15	32.0	18.0	9.0	27.5	0.8	MK63154-F2BX****	200	0.68	42.0	30.0	16.0	37.5	1.0	MK63684-F2EX****	50	
0.15	32.0	20.0	11.0	27.5	0.8	MK63154-F2B0****	100	0.68	42.0	32.0	19.0	37.5	1.0	MK63684-F2E0****	50	
0.18	32.0	20.0	11.0	27.5	0.8	MK63184-F2B0****	100	0.82	42.0	33.0	20.0	37.5	1.0	MK63824-F2E0****	50	
0.22	32.0	20.0	11.0	27.5	0.8	MK63224-F2BX****	100	1	42.0	33.5	18.5	37.5	1.0	MK63105-F2EX****	50	
0.22	32.0	22.0	13.0	27.5	0.8	MK63224-F2B0****	100	1	42.0	35.0	23.0	37.5	1.0	MK63105-F2E0****	50	
0.27	32.0	22.0	13.0	27.5	0.8	MK63274-F2BX****	100									

备注:

“-”: 客户要求的容量偏差

“****”: 引线加工和包装代码 (见 15 页表 4)

MOQ: 最小订单量

“-”=custom's capacitor tolerance code, K=±10%, M=±20%

“****”= Lead form and packing code (refer to table 4 in page 15)

MOQ = Minimum order quantity