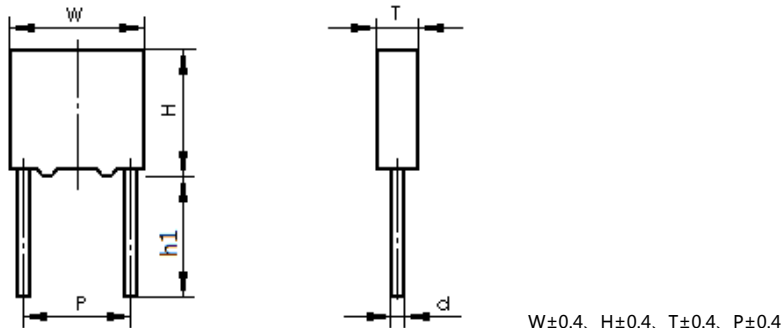




MKP61T 抑制电源电磁干扰薄膜电容器(X2 类, THB, 275Vac/305Vac/310Vac) Metallized Polypropylene Film Interference Suppression Capacitor (Class X2, Temperature Humidity Bias (THB) Series)

◆ 外形尺寸图及产品结构 Outline Drawing and Capacitor Construction



◆ 特点及用途 Application and Feature

塑料外壳(UL94 V-0), 阻燃环氧树脂灌封; 在严苛的环境下(如高温高湿)长期应用容量稳定性优异; 广泛用于电源跨线路等抗干扰场合。

Plastic case (UL94 V-0), Epoxy resin sealing; High stability of capacitance under severe ambient condition, such as high temperature and high humidity; Widely used in across-the-line, interference suppression circuit, ect.

◆ 技术要求 Specifications

参照标准 Reference Standard	GBT 6364.14、IEC 60384-14		
气候类别/阻燃等级 Climatic category/Passive Flammability Class	40/110/56/B		
工作温度范围 Operation Temperature Range	-40°C~+110°C		
额定电压 Rated Voltage	275Vac/305Vac/310Vac (50/60Hz)		
电容量范围 Capacitance Range	0.01μF~25.0μF		
电容量偏差 Capacitance Tolerance	±10%(K)、±20%(M)(20°C, 1kHz)		
耐电压 Voltage Proof	引线之间 Between Terminals	4.3U _R (dc), 2s	
	极壳之间 Between Terminals to case	2120Vac (1min)	
绝缘电阻 Insulation Resistance	C _R ≤ 0.33μF, IR ≥ 15 000 MΩ C _R > 0.33μF, IR × C ≥ 5 000s (20°C, 100V, 1min)		
损耗角正切 Dissipation Factor	C _R ≤ 1.0μF	≤ 0.0010 (1kHz, 20°C)	≤ 0.0020 (10kHz, 20°C)
	C _R > 1.0μF	≤ 0.0020 (1kHz, 20°C)	≤ 0.0040 (10kHz, 20°C)
耐湿热负荷 THB test (Damp Heat Test with Loading)	Temperature: 85°C ± 2°C; Humidity: 85%RH ± 2%RH Voltage: 240Vac 50Hz; Duration: 1 000 hours(CR > 0.47μF) Capacitance change(ΔC/C): ≤ 10% DF change(Δtg δ): ≤ 0.5% (1kHz) Insulation resistance: ≥ 50% of the rated value		

◆ 安全认证 Safety Approvals

	CQC (中国)	GBT 6346.14, X2, 275Vac/305Vac, 0.001μF~45μF, 40/110/56/B Certificate No.: CQC03001007919 IEC 60384-14, X2, 310Vac/630Vdc/560Vdc, 0.001μF~25μF, 40/110/56/B Certificate No.: CQC19001229855
	ENEC (欧盟)	IEC 60384-14, X2, 275Vac/305Vac, 0.001μF~45μF, 40/110/56/B Certificate No.: 40032626 IEC 60384-14, X2, 310Vac/630Vdc/560Vdc, 0.001μF~25μF, 40/110/56/B Certificate No.: HN 69262302
	UL-CUL (美国/加拿大)	UL60384-14, CSA E60384-1, CSA E60384-14 X2, 275Vac/305Vac/310Vac, 0.0010μF~45μF, 40/110/56/B Certificate No.: E217215
	KTL (韩国)	K60384-1, K60384-14, X2, 305Vac, 0.0010μF~45μF, 40/110/56/B Certificate No.: SU03046-10001A/SU03046-10002A



MKP61T(THB)

MKP61T series(THB)

◆ 产品尺寸: Product Dimension:

275Vac [▲] /305Vac [▲] /310Vac																
C (μF)	W	H	T	P	d	产品代码 Part number	MOQ	C (μF)	W	H	T	P	d	产品代码 Part number	MOQ	
0.010	18.0	11.0	5.0	15.0	0.6	MK61103-P36T****	500	1.2	32.0	20.0	11.0	27.5	0.8	MK61125-P2BT****	100	
0.015	18.0	11.0	5.0	15.0	0.6	MK61153-P36T****	500	1.5	32.0	22.0	13.0	27.5	0.8	MK61155-P2BT****	100	
0.022	18.0	11.0	5.0	15.0	0.6	MK61223-P36T****	500	1.8	32.0	25.0	13.0	27.5	0.8	MK61185-P2BT****	100	
0.033	18.0	11.0	5.0	15.0	0.6	MK61333-P36T****	500	2.2	32.0	24.5	15.0	27.5	0.8	MK61225-P2BT****	100	
0.047	18.0	11.0	5.0	15.0	0.6	MK61473-P36T****	500	2.7	32.0	30.0	16.0	27.5	0.8	MK61275-P2BT****	50	
0.068	18.0	11.0	5.0	15.0	0.6	MK61683-P36T****	500	3.3	32.0	30.0	16.0	27.5	0.8	MK61335-P2BT****	50	
0.10	18.0	11.0	5.0	15.0	0.6	MK61104-P36T****	500	3.9	32.0	33.0	18.0	27.5	0.8	MK61395-P2BT****	50	
0.12	18.0	12.0	6.0	15.0	0.6	MK61124-P36T****	500	4.7M	32.0	33.0	18.0	27.5	0.8	MK61475-P2BT****	50	
0.15	18.0	12.0	6.0	15.0	0.6	MK61154-P36T****	500	4.7K	32.0	34.0	20.0	27.5	0.8	MK61475-P2BT****	50	
0.18	18.0	13.5	7.5	15.0	0.6	MK61184-P36T****	500	5.6	32.0	37.0	22.0	27.5	0.8	MK61565-P2BT****	50	
0.22	18.0	13.5	7.5	15.0	0.6	MK61224-P36T****	500	6.8M	32.0	37.0	22.0	27.5	0.8	MK61685-P2BT****	50	
0.27	18.0	14.5	8.5	15.0	0.6	MK61274-P36T****	500	1.5	42.0	22.0	11.0	37.5	1.0	MK61155-P2ET****	50	
0.33	18.0	14.5	8.5	15.0	0.6	MK61334-P36T****	500	1.8	42.0	22.0	11.0	37.5	1.0	MK61185-P2ET****	50	
0.39	18.0	16.0	10.0	15.0	0.8	MK61394-P36T****	500	2.2	42.0	24.0	13.0	37.5	1.0	MK61225-P2ET****	50	
0.47	18.0	19.0	11.0	15.0	0.8	MK61474-P36T****	500	2.7	42.0	24.0	13.0	37.5	1.0	MK61275-P2ET****	50	
0.33	26.5	15.0	6.0	22.5	0.8	MK61334-P39T****	500	3.3	42.0	28.0	14.0	37.5	1.0	MK61335-P2ET****	50	
0.39	26.5	16.0	7.0	22.5	0.8	MK61394-P39T****	500	3.9	42.0	30.0	16.0	37.5	1.0	MK61395-P2ET****	50	
0.47	26.5	17.0	8.5	22.5	0.8	MK61474-P39T****	500	4.7M	42.0	30.0	16.0	37.5	1.0	MK61475-P2ET****	50	
0.56	26.5	17.0	8.5	22.5	0.8	MK61564-P39T****	500	4.7K	42.0	32.0	17.0	37.5	1.0	MK61475-P2ET****	50	
0.68	26.5	18.5	10.0	22.5	0.8	MK61684-P39T****	500	5.6	42.0	33.5	18.5	37.5	1.0	MK61564-P2ET****	50	
0.82	26.5	18.5	10.0	22.5	0.8	MK61824-P39T****	500	6.8M	42.0	34.0	20.0	37.5	1.0	MK61685-P2ET****	50	
1.0	26.5	20.0	11.0	22.5	0.8	MK61105-P39T****	200	6.8K	42.0	37.0	22.0	37.5	1.0	MK61685-P2ET****	50	
1.2	26.5	22.0	12.0	22.5	0.8	MK61125-P39T****	200	8.2	42.0	37.0	22.0	37.5	1.0	MK61825-P2ET****	50	
1.5	26.5	23.0	13.5	22.5	0.8	MK61155-P39T****	200	10.0	42.0	41.0	26.0	37.5	1.0	MK61106-P2ET****	20	
1.8	26.5	24.5	15.5	22.5	0.8	MK61185-P39T****	200	12.0	42.0	43.0	28.0	37.5	1.0	MK61126-P2ET****	20	
2.2	26.5	29.5	14.5	22.5	0.8	MK61225-P39T****	200	15.0M	42.0	45.0	30.0	37.5	1.0	MK61156-P2ET****	20	
0.47	32.0	18.0	9.0	27.5	0.8	MK61474-P3BT****	200	15.0K	42.0	50.0	30.0	37.5	1.0	MK61156-P2ET****	20	
0.56	32.0	18.0	9.0	27.5	0.8	MK61564-P3BT****	200	18.0	57.0	45.0	30.0	52.5	1.2	MK61186-P2GT****	20	
0.68	32.0	18.0	9.0	27.5	0.8	MK61684-P3BT****	200	20.0	57.0	45.0	30.0	52.5	1.2	MK61206-P2GT****	20	
0.82	32.0	18.0	9.0	27.5	0.8	MK61824-P3BT****	200	25.0	57.0	50.0	35.0	52.5	1.2	MK61256-P2GT****	20	
1.0	32.0	20.0	11.0	27.5	0.8	MK61105-P3BT****	100									

备注:

“-”: 客户要求的容量偏差

“****”: 引线加工和包装代码 (见 15 页表 4)

“▲”: 额定电压为 275Vac 时, 第 9~10 位为 N3

“▲”: 额定电压为 305Vac 时, 第 9~10 位为 P2

MOQ: 最小订单量

“-”=custom's capacitor tolerance code, J=±5%, K=±10%, M=±20%

“****”= Lead form and packing code (refer to table 4 in page 15)

“▲”=when the rated voltage is 275Vac, the digit 9~10 is N3

“▲”=when the rated voltage is 305Vac, the digit 9~10 is P2

MOQ = Minimum order quantity