



MKP61A(THB)

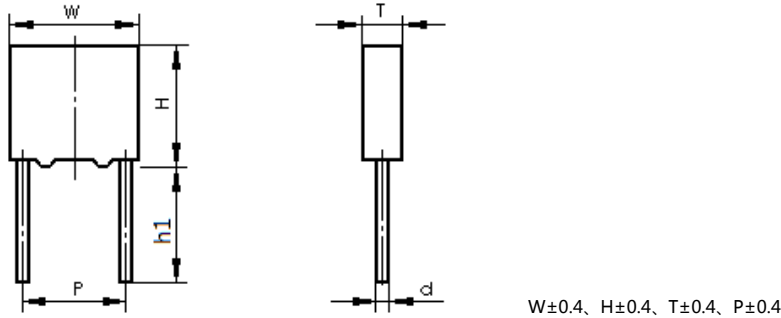
MKP61A series(THB)

MKP61A 抑制电源电磁干扰薄膜电容(X2 THB, 275Vac/305Vac/310Vac)

Metallized Polypropylene Film Interference Suppression Capacitor

(Class X2, Temperature Humidity Bias (THB) Series)

◆ 外形尺寸图及产品结构 Outline Drawing and Capacitor Construction



◆ 特点及用途 Application and Feature

塑料外壳(UL94 V-0),环氧树脂灌封;在严苛环境下(如高温高湿)长期应用容量稳定;广泛用于电源跨线等抗干扰场合。

Plastic case (UL94 V-0), Epoxy resin sealing; High stability of capacitance under severe ambient condition, such as high temperature and high humidity; Widely used in across-the-line, interference suppression circuit, ect.

◆ 技术要求 Specifications

| | | | |
|---|--|----------------------------|-----------------------|
| 参照标准 Reference Standard | GBT 6364.14、IEC 60384-14 | | |
| 气候类别/阻燃等级 Climatic category/Passive Flammability Class | 40/110/56/B | | |
| 工作温度范围 Operation Temperature Range | -40℃~+110℃ | | |
| 额定电压 Rated Voltage | 275Vac/305Vac/310Vac (50/60Hz) | | |
| 电容量范围 Capacitance Range | 0.01μF~25.0μF | | |
| 电容量偏差 Capacitance Tolerance | ±10%(K)、±20%(M)(20℃, 1kHz) | | |
| 耐电压 Voltage Proof | 引线之间 Between Terminals | 4.3U _R (dc), 2s | |
| | 极壳之间 Between Terminals to case | 2120Vac (1min) | |
| 绝缘电阻 Insulation Resistance | C _R ≤ 0.33μF, IR ≥ 15 000 MΩ C _R > 0.33μF, IR × C ≥ 5 000s (20℃, 100V, 1min) | | |
| 损耗角正切 Dissipation Factor | C _R ≤ 1.0μF | ≤ 0.0015 (1kHz, 20℃) | ≤ 0.0040 (10kHz, 20℃) |
| | C _R > 1.0μF | ≤ 0.0030 (1kHz, 20℃) | |
| 耐湿热负荷 THB test (Damp Heat Test with Loading) | Temperature: 85℃ ± 2℃; Humidity: 85%RH ± 2%RH Voltage: 300Vac 50Hz; Duration: 800 hours (C _R ≤ 0.47μF) Duration: 1 000 hours (C _R > 0.47μF) Capacitance change(ΔC/C): ≤ 10% DF change(Δtg δ): ≤ 0.5% (1kHz) Insulation resistance: ≥ 50% of the rated value | | |

◆ 安全认证 Safety Approvals

| | | |
|--|--------------------|--|
| | CQC (中国) | GBT 6346.14, X2, 275Vac/305Vac, 0.001μF~45μF, 40/110/56/B Certificate No.: CQC03001007919 IEC 60384-14, X2, 310Vac/630Vdc/560Vdc, 0.001μF~25μF, 40/110/56/B Certificate No.: CQC19001229855 |
| | ENEC (欧盟) | IEC 60384-14, X2, 275Vac/305Vac, 0.001μF~45μF, 40/110/56/B Certificate No.: 40032626 IEC 60384-14, X2, 310Vac/630Vdc/560Vdc, 0.001μF~25μF, 40/110/56/B Certificate No.: HN 69262302 |
| | UL-CUL (美国/加拿大) | UL60384-14, CSA E60384-1, CSA E60384-14 X2, 275Vac/305Vac/310Vac, 0.0010μF~45μF, 40/110/56/B Certificate No.: E217215 |
| | KTL (韩国) | K60384-1, K60384-14, X2, 305Vac, 0.0010μF~45μF, 40/110/56/B Certificate No.: SU03046-10001A/10002A/13001/13002/13003 |

◆ 产品尺寸: Product Dimension:

| 275Vac [▲] /305Vac [▲] /310Vac | | | | | | | | | | | | | | | |
|--|------|------|------|------|-----|---------------------|-----|--------|------|------|------|------|-----|---------------------|-----|
| C (μF) | W | H | T | P | d | 产品代码 Part number | MOQ | C (μF) | W | H | T | P | d | 产品代码 Part number | MOQ |
| 0.10 | 18.0 | 12.0 | 6.0 | 15.0 | 0.6 | M61A104-P360**** | 500 | 1.2 | 32.0 | 22.0 | 13.0 | 27.5 | 0.8 | M61A125-P3B0**** | 200 |
| 0.12 | 18.0 | 13.5 | 6.0 | 15.0 | 0.6 | M61A124-P360**** | 500 | 1.5 | 32.0 | 22.0 | 13.0 | 27.5 | 0.8 | M61A155-P3B0**** | 200 |
| 0.15 | 18.0 | 13.5 | 7.5 | 15.0 | 0.6 | M61A154-P360**** | 500 | 1.8 | 32.0 | 25.0 | 13.0 | 27.5 | 0.8 | M61A185-P3B0**** | 200 |
| 0.18 | 18.0 | 13.5 | 7.5 | 15.0 | 0.6 | M61A184-P360**** | 500 | 2.2 | 32.0 | 28.0 | 14.0 | 27.5 | 0.8 | M61A225-P3B0**** | 200 |
| 0.22 | 18.0 | 14.5 | 8.5 | 15.0 | 0.6 | M61A224-P360**** | 500 | 2.7 | 32.0 | 30.0 | 16.0 | 27.5 | 0.8 | M61A275-P3B0**** | 200 |
| 0.27 | 18.0 | 16.0 | 10.0 | 15.0 | 0.8 | M61A274-P360**** | 500 | 3.3 | 32.0 | 33.0 | 18.0 | 27.5 | 0.8 | M61A335-P3B0**** | 200 |
| 0.33 | 18.0 | 16.0 | 10.0 | 15.0 | 0.8 | M61A334-P360**** | 500 | 3.9 | 32.0 | 33.0 | 18.0 | 27.5 | 0.8 | M61A395-P3B0**** | 200 |
| 0.39 | 18.0 | 19.0 | 11.0 | 15.0 | 0.8 | M61A394-P360**** | 500 | 4.7 | 32.0 | 37.0 | 22.0 | 27.5 | 0.8 | M61A475-P3B0**** | 200 |
| 0.47 | 18.0 | 19.0 | 11.0 | 15.0 | 0.8 | M61A474-P360**** | 500 | 5.6 | 32.0 | 37.0 | 22.0 | 27.5 | 0.8 | M61A565-P3B0**** | 200 |
| 0.33 | 26.5 | 17.0 | 8.5 | 22.5 | 0.8 | M61A334-P390**** | 500 | 1.5 | 42.0 | 22.0 | 11.0 | 37.5 | 1.0 | M61A155-P3E0**** | 50 |
| 0.39 | 26.5 | 17.0 | 8.5 | 22.5 | 0.8 | M61A394-P390**** | 500 | 1.8 | 42.0 | 24.0 | 13.0 | 37.5 | 1.0 | M61A185-P3E0**** | 50 |
| 0.47 | 26.5 | 18.5 | 10.0 | 22.5 | 0.8 | M61A474-P390**** | 500 | 2.2 | 42.0 | 25.0 | 14.0 | 37.5 | 1.0 | M61A225-P3E0**** | 50 |
| 0.56 | 26.5 | 18.5 | 10.0 | 22.5 | 0.8 | M61A564-P390**** | 500 | 2.7 | 42.0 | 26.0 | 15.0 | 37.5 | 1.0 | M61A275-P3E0**** | 50 |
| 0.68 | 26.5 | 20.0 | 11.0 | 22.5 | 0.8 | M61A684-P390**** | 500 | 3.3 | 42.0 | 28.0 | 17.0 | 37.5 | 1.0 | M61A335-P3E0**** | 50 |
| 0.82 | 26.5 | 20.0 | 11.0 | 22.5 | 0.8 | M61A824-P390**** | 500 | 3.9 | 42.0 | 30.0 | 16.0 | 37.5 | 1.0 | M61A395-P3E0**** | 50 |
| 1.0 | 26.5 | 22.0 | 12.0 | 22.5 | 0.8 | M61A105-P390**** | 500 | 4.7 | 42.0 | 33.5 | 18.5 | 37.5 | 1.0 | M61A475-P3E0**** | 50 |
| 1.2 | 26.5 | 23.0 | 13.0 | 22.5 | 0.8 | M61A125-P390**** | 500 | 5.6 | 42.0 | 34.0 | 20.0 | 37.5 | 1.0 | M61A565-P3E0**** | 50 |
| 1.5 | 26.5 | 24.5 | 15.5 | 22.5 | 0.8 | M61A155-P390**** | 500 | 6.8 | 42.0 | 37.0 | 22.0 | 37.5 | 1.0 | M61A685-P3E0**** | 50 |
| 1.8 | 26.5 | 29.5 | 14.5 | 22.5 | 0.8 | M61A185-P390**** | 500 | 8.2 | 42.0 | 37.0 | 26.0 | 37.5 | 1.0 | M61A825-P3E0**** | 50 |
| 2.2 | 26.5 | 31.0 | 15.5 | 22.5 | 0.8 | M61A225-P390**** | 500 | 10 | 42.0 | 41.0 | 26.0 | 37.5 | 1.0 | M61A106-P3E0**** | 50 |
| 0.47 | 32.0 | 18.0 | 9.0 | 27.5 | 0.8 | M61A474-P3B0**** | 200 | 12 | 42.0 | 45.0 | 30.0 | 37.5 | 1.0 | M61A126-P3E0**** | 50 |
| 0.56 | 32.0 | 18.0 | 9.0 | 27.5 | 0.8 | M61A564-P3B0**** | 200 | 15 | 42.0 | 50.0 | 30.0 | 37.5 | 1.0 | M61A156-P3E0**** | 50 |
| 0.68 | 32.0 | 20.0 | 11.0 | 27.5 | 0.8 | M61A684-P3B0**** | 200 | 18 | 57.0 | 45.0 | 30.0 | 52.5 | 1.2 | M61A186-P3G0**** | 20 |
| 0.82 | 32.0 | 20.0 | 11.0 | 27.5 | 0.8 | M61A824-P3B0**** | 200 | 20 | 57.0 | 48.0 | 30.0 | 52.5 | 1.2 | M61A206-P3G0**** | 20 |
| 1.0 | 32.0 | 20.0 | 11.0 | 27.5 | 0.8 | M61A105-P3B0**** | 200 | 25 | 57.0 | 50.0 | 35.0 | 52.5 | 1.2 | M61A256-P3G0**** | 20 |

备注:

“-”: 客户要求的容量偏差

“****”: 引线加工和包装代码 (见 15 页表 4)

“▲”: 额定电压为 275Vac 时, 第 9~10 位为 N3

“▲”: 额定电压为 305Vac 时, 第 9~10 位为 P2

MOQ: 最小订单量

“-”=custom's capacitor tolerance code, K=±10%, M=±20%

“****”= Lead form and packing code (refer to table 4 in page 15)

“▲”=when the rated voltage is 275Vac, the digit 9~10 is N3

“▲”=when the rated voltage is 305Vac, the digit 9~10 is P2

MOQ = Minimum order quantity