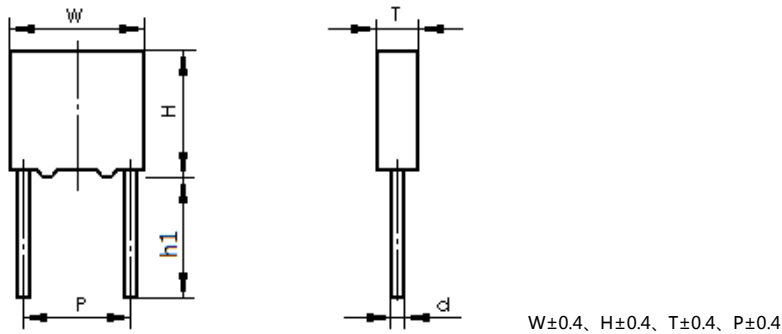


MKP61 抑制电源电磁干扰薄膜电容器(X2 类,小型化, 275Vac/305Vac/310Vac) Metallized Polypropylene Film Interference Suppression Capacitor (Class X2, Miniature Version)

◆ 外形尺寸图及产品结构 Outline Drawing and Capacitor Construction



◆ 特点及用途 Application and Feature





塑料外壳(UL94 V-0), 阻燃环氧树脂灌封; 广泛用于电源跨线路等抗干扰场合(室内)。

Plastic case (UL94 V-0), Epoxy resin sealing; Widely used in across-the-line, interference suppression circuit, ect (Indoor applications) .

◆ 技术要求 Specifications

参照标准 Reference Standard	GBT6346.14、IEC 60384-14		
气候类别/阻燃等级 Climatic category/Passive Flammability Class	40/110/56/B		
工作温度范围 Operation Temperature Range	-40℃~+110℃		
额定电压 Rated Voltage	275Vac/305Vac/310Vac (50/60Hz)		
最大连续直流电压 Maximum Continuous DC Voltage	560Vdc		
电容量范围 Capacitance Range	0.027μF~45.0μF		
电容量偏差 Capacitance Tolerance	±10%(K)、±20%(M)(20℃, 1kHz)		
耐电压 Voltage Proof	引线之间 Between Terminals	4.3U _R (dc) , 2s	
	极壳之间 Between Terminals to case	2120Vac (1min)	
绝缘电阻 Insulation Resistance	C _R ≤0.33μF, IR≥15 000 MΩ C _R >0.33μF, IR×C≥5 000s (20℃, 100V, 1min)		
损耗角正切 Dissipation Factor	0.001μF≤C _R ≤0.01μF	≤0.0020 (1kHz, 20℃)	≤0.0020 (10kHz, 20℃)
	0.01μF<C _R ≤0.47μF	≤0.0010 (1kHz, 20℃)	≤0.0020 (10kHz, 20℃)
	0.47μF≤C _R ≤1.0μF	≤0.0020 (1kHz, 20℃)	≤0.0040 (10kHz, 20℃)
	1.0μF≤C _R ≤10.0μF	≤0.0030 (1kHz, 20℃)	
	10.0μF<C _R ≤50.0μF	≤0.0040 (1kHz, 20℃)	

◆ 安全认证 Safety Approvals

	CQC (中国)	GBT 6346.14, X2, 275Vac/305Vac, 0.001μF~45μF, 40/110/56/B Certificate No.: CQC03001007919 IEC 60384-14, X2, 310Vac/630Vdc/560Vdc, 0.001μF~25μF, 40/110/56/B Certificate No.: CQC19001229855
	ENEC (欧盟)	IEC 60384-14, X2, 275Vac/305Vac, 0.001μF~45μF, 40/110/56/B Certificate No.: 40032626 IEC 60384-14, X2, 310Vac/630Vdc/560Vdc, 0.001μF~25μF, 40/110/56/B Certificate No.: HN 69262302
	UL-CUL (美国/加拿大)	UL60384-14, CSA E60384-1, CSA E60384-14 X2, 275Vac/305Vac/310Vac, 0.001μF~45μF, 40/110/56/B Certificate No.: E217215
	KTL (韩国)	K60384-1, K60384-14, X2, 305Vac, 0.001μF~45μF, 40/110/56/B Certificate No.:SU03046-10001A/10002A/13001/13002/13003



MKP61 (Mini)

MKP61 series (Mini)

◆ 产品尺寸: Product Dimension:

275Vac [▲] /305Vac [▲] /310Vac																
C (μF)	W	H	T	P	d	产品代码 Part number	MOQ	C (μF)	W	H	T	P	d	产品代码 Part number	MOQ	
0.027	10.5	9.0	4.0	7.5	0.6	MK61273-P33M****	1000	0.22	13.0	18.0	6.0	10.0	0.6	MK61224-P34N****	500	
0.033	10.5	9.0	4.0	7.5	0.6	MK61333-P33M****	1000	0.27	13.0	15.0	8.0	10.0	0.6	MK61274-P34M****	500	
0.039	10.5	9.0	4.0	7.5	0.6	MK61393-P33M****	1000	0.33M	13.0	17.5	8.0	10.0	0.6	MK61334MP342****	500	
0.047	10.5	10.0	5.0	7.5	0.6	MK61473-P33M****	1000	0.15	18.0	11.0	5.0	15.0	0.6	MK61154-P36M****	500	
0.056	10.5	10.0	5.0	7.5	0.6	MK61563-P33M****	1000	0.18	18.0	11.0	5.0	15.0	0.6	MK61184-P36M****	500	
0.068	10.5	11.0	5.0	7.5	0.6	MK61683-P33M****	1000	0.22M	17.5	11.5	5.5	15.0	0.6	MK61224MP36N****	500	
0.082	10.5	12.0	6.0	7.5	0.6	MK61823-P33M****	1000	0.22	18.0	12.0	6.0	15.0	0.8	MK61224-P36M****	500	
0.1	10.5	12.0	6.0	7.5	0.6	MK61104-P33M****	1000	0.27	18.0	12.0	6.0	15.0	0.8	MK61274-P36M****	500	
0.12	10.5	13.0	7.0	7.5	0.6	MK61124-P33M****	1000	0.33	18.0	13.0	7.0	15.0	0.8	MK61334-P36M****	500	
0.047	13.0	9.0	4.0	10.0	0.6	MK61473-P34M****	500	0.39	18.0	13.5	7.5	15.0	0.8	MK61394-P36M****	500	
0.1	13.0	11.0	5.0	10.0	0.6	MK61104-P34M****	500	0.47	18.0	14.5	8.5	15.0	0.8	MK61474-P36M****	500	
0.12K	13.0	12.0	6.0	10.0	0.6	MK61124KP34M****	500	0.56	18.0	16.0	10.0	15.0	0.8	MK61564-P36M****	500	
0.12M	13.0	11.0	5.0	10.0	0.6	MK61124MP34M****	500	0.68	18.0	16.0	10.0	15.0	0.8	MK61684-P36M****	500	
0.15	13.0	12.0	6.0	10.0	0.6	MK61154-P34M****	500	0.82	18.0	19.0	11.0	15.0	0.8	MK61824-P36M****	500	
0.18	13.0	13.0	7.0	10.0	0.6	MK61184-P34M****	500	1	18.0	21.0	12.0	15.0	0.8	MK61105-P36M****	500	
0.22	13.0	14.0	8.0	10.0	0.6	MK61224-P34M****	500									

备注:

“-”: 客户要求的容量偏差

“****”: 引线加工和包装代码 (见 15 页表 4)

“▲”: 额定电压为 275Vac 时, 第 9~10 位为 N3

“▲”: 额定电压为 305Vac 时, 第 9~10 位为 P2

MOQ: 最小订单量

“-”=custom's capacitor tolerance code, K=±10%, M=±20%

“****”= Lead form and packing code (refer to table 4 in page 15)

“▲”= when the rated voltage is 275Vac, the digit 9~10 is N3

“▲”=when the rated voltage is 305Vac, the digit 9~10 is P2

MOQ = Minimum order quantity