

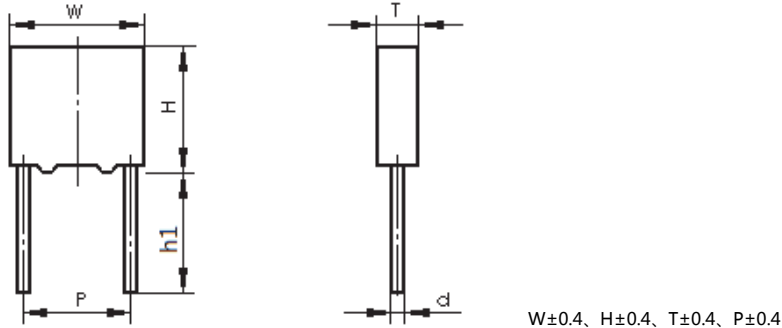


CL24
CL24 series

CL24 型盒式金属化聚酯膜电容器

Metallized polyester film capacitor (Box-type)

◆ 外形尺寸图及产品结构 Outline Drawing and Capacitor Construction



◆ 特点及用途 Application and Feature

金属化聚酯膜，无感卷绕结构，塑料外壳封装，自愈性好，适用于直流、脉冲、逻辑、振荡电路及低压场合的抗干扰。

Metallized polyester film, non-inductive wound construction, plastic case, small size and excellent self-healing property. Suitable for the DC, coupling, pulse, logic, oscillator circuits and interference suppression in low voltage application.

◆ 技术要求 Specifications

参照标准 Reference Standard	GB 7332、IEC 60384-2	
气候类别 Climatic Category	55/125/56	
工作温度范围 Operation Temperature Range	-55℃~125℃	
额定温度 Rated Temperature	85℃	
额定电压 Rated Voltage	63Vdc、100Vdc、250Vdc、400Vdc/450Vdc、630Vdc	
电容量范围 Capacitance Range	0.0047μF~45.0μF	
电容量偏差 Capacitance Tolerance	±5%(J)、±10%(K)、±20%(M) (20℃, 1kHz)	
耐电压 Voltage Proof	U=1.6U _R (20℃, 5s)	
绝缘电阻 Insulation Resistance	U _R ≤ 100Vdc	C _R ≤ 0.33μF, IR ≥ 15 000MΩ C _R > 0.33μF, IR × C ≥ 5 000s (20℃, 10Vdc, 1min)
	U _R > 100Vdc	C _R ≤ 0.33μF, IR ≥ 30 000 MΩ C _R > 0.33μF, IR × C ≥ 10 000s (20℃, 100Vdc, 1min)
损耗角正切 Dissipation Factor	≤ 0.0080 (1kHz, 20℃)	
说明：电容器的工作电压随温度上升而下降，在 85~125℃之间，以 85℃为基准，环境温度每上升 1℃，电容器的额定工作电压应降低 1.25%。 Note: The working voltage of the capacitor decreases as the temperature rises. between 85~125℃, take 85℃ as the base, the temperature rises 1℃, the rated working voltage of the capacitor decreases 1.25%.		



◆ 产品尺寸: Product Dimension:

63Vdc (40Vac)								100Vdc (63Vac)							
C (μF)	W	H	T	P	d	产品代码 Part number	MOQ	C (μF)	W	H	T	P	d	产品代码 Part number	MOQ
0.33	10.5	8.5	3.5	7.5	0.6	CL24334-1J30****	1000	0.10	10.5	8.5	3.5	7.5	0.6	CL24104-2A30****	1000
0.47	10.5	9.0	4.0	7.5	0.6	CL24474-1J30****	1000	0.15	10.5	8.5	3.5	7.5	0.6	CL24154-2A30****	1000
0.56	10.5	9.0	4.0	7.5	0.6	CL24564-1J30****	1000	0.22	10.5	8.5	3.5	7.5	0.6	CL24224-2A30****	1000
0.68	10.5	11.0	5.0	7.5	0.6	CL24684-1J30****	1000	0.33	10.5	9.0	4.0	7.5	0.6	CL24334-2A30****	1000
0.82	10.5	11.0	5.0	7.5	0.6	CL24824-1J30****	1000	0.47	10.5	9.0	4.0	7.5	0.6	CL24474-2A30****	1000
1.0	10.5	11.0	5.0	7.5	0.6	CL24105-1J30****	1000	0.56	10.5	11.0	5.0	7.5	0.6	CL24564-2A30****	1000
1.5	10.5	12.0	6.0	7.5	0.6	CL24155-1J30****	1000	0.68	10.5	11.0	5.0	7.5	0.6	CL24684-2A30****	1000
0.10	13.0	9.0	4.0	10.0	0.6	CL24104-1J40****	500	0.82	10.5	11.0	5.0	7.5	0.6	CL24824-2A30****	1000
0.15	13.0	9.0	4.0	10.0	0.6	CL24154-1J40****	500	1.0	10.5	12.0	6.0	7.5	0.6	CL24105-2A30****	1000
0.22	13.0	9.0	4.0	10.0	0.6	CL24224-1J40****	500	0.10	13.0	9.0	4.0	10.0	0.6	CL24104-2A40****	500
0.33	13.0	9.0	4.0	10.0	0.6	CL24334-1J40****	500	0.15	13.0	9.0	4.0	10.0	0.6	CL24154-2A40****	500
0.47	13.0	9.0	4.0	10.0	0.6	CL24474-1J40****	500	0.22	13.0	9.0	4.0	10.0	0.6	CL24224-2A40****	500
0.56	13.0	9.0	4.0	10.0	0.6	CL24564-1J40****	500	0.33	13.0	9.0	4.0	10.0	0.6	CL24334-2A40****	500
0.68	13.0	9.0	4.0	10.0	0.6	CL24684-1J40****	500	0.47	13.0	9.0	4.0	10.0	0.6	CL24474-2A40****	500
0.82	13.0	9.0	4.0	10.0	0.6	CL24824-1J40****	500	0.56	13.0	9.0	4.0	10.0	0.6	CL24564-2A40****	500
1.0	13.0	9.0	4.0	10.0	0.6	CL24105-1J40****	500	0.68	13.0	9.0	4.0	10.0	0.6	CL24684-2A40****	500
1.5	13.0	11.0	5.0	10.0	0.6	CL24155-1J40****	500	0.82	13.0	11.0	5.0	10.0	0.6	CL24824-2A40****	500
1.8	13.0	12.0	6.0	10.0	0.6	CL24185-1J40****	500	1.0	13.0	12.0	6.0	10.0	0.6	CL24105-2A40****	500
2.2	13.0	12.0	6.0	10.0	0.6	CL24225-1J40****	500	1.5	13.0	12.0	6.0	10.0	0.6	CL24155-2A40****	500
0.47	18.0	11.0	5.0	15.0	0.8	CL24474-1J60****	500	0.33	18.0	11.0	5.0	15.0	0.8	CL24334-2A60****	500
0.56	18.0	11.0	5.0	15.0	0.8	CL24564-1J60****	500	0.47	18.0	11.0	5.0	15.0	0.8	CL24474-2A60****	500
0.68	18.0	11.0	5.0	15.0	0.8	CL24684-1J60****	500	0.56	18.0	11.0	5.0	15.0	0.8	CL24564-2A60****	500
0.82	18.0	11.0	5.0	15.0	0.8	CL24824-1J60****	500	0.68	18.0	11.0	5.0	15.0	0.8	CL24684-2A60****	500
1.0	18.0	11.0	5.0	15.0	0.8	CL24105-1J60****	500	0.82	18.0	11.0	5.0	15.0	0.8	CL24824-2A60****	500
1.5	18.0	11.0	5.0	15.0	0.8	CL24155-1J60****	500	1.0	18.0	11.0	5.0	15.0	0.8	CL24105-2A60****	500
1.8	18.0	11.0	5.0	15.0	0.8	CL24185-1J60****	500	1.5	18.0	12.0	6.0	15.0	0.8	CL24155-2A60****	500
2.2	18.0	11.0	5.0	15.0	0.8	CL24225-1J60****	500	1.8	18.0	12.0	6.0	15.0	0.8	CL24185-2A60****	500
3.3	18.0	12.0	6.0	15.0	0.8	CL24335-1J60****	500	2.2	18.0	12.0	6.0	15.0	0.8	CL24225-2A60****	500
4.7	18.0	13.5	7.5	15.0	0.8	CL24475-1J60****	500	3.3	18.0	13.5	7.5	15.0	0.8	CL24335-2A60****	500
5.6	18.0	13.5	7.5	15.0	0.8	CL24565-1J60****	500	4.7	18.0	14.5	8.5	15.0	0.8	CL24475-2A60****	500
6.8	18.0	14.5	8.5	15.0	0.8	CL24685-1J60****	500	5.6	18.0	16.0	10.0	15.0	0.8	CL24565-2A60****	500
8.2	18.0	14.5	8.5	15.0	0.8	CL24825-1J60****	500	6.8	18.0	19.0	11.0	15.0	0.8	CL24685-2A60****	200
10.0	18.0	16.0	10.0	15.0	0.8	CL24106-1J60****	500	1.5	26.5	15.0	6.0	22.5	0.8	CL24155-2A90****	500
2.2	26.5	15.0	6.0	22.5	0.8	CL24225-1J90****	500	1.8	26.5	15.0	6.0	22.5	0.8	CL24185-2A90****	500
3.3	26.5	15.0	6.0	22.5	0.8	CL24335-1J90****	500	2.2	26.5	15.0	6.0	22.5	0.8	CL24225-2A90****	500
4.7	26.5	15.0	6.0	22.5	0.8	CL24475-1J90****	500	3.3	26.5	15.0	6.0	22.5	0.8	CL24335-2A90****	500
5.6	26.5	15.0	6.0	22.5	0.8	CL24565-1J90****	500	4.7	26.5	15.0	6.0	22.5	0.8	CL24475-2A90****	500
6.8	26.5	16.0	7.0	22.5	0.8	CL24685-1J90****	500	5.6	26.5	15.0	6.0	22.5	0.8	CL24565-2A90****	500
8.2	26.5	17.0	8.5	22.5	0.8	CL24825-1J90****	500	6.8	26.5	16.0	7.0	22.5	0.8	CL24685-2A90****	500
10.0	26.5	17.0	8.5	22.5	0.8	CL24106-1J90****	500	8.2	26.5	17.0	8.5	22.5	0.8	CL24825-2A90****	500
15.0	26.5	20.0	11.0	22.5	0.8	CL24156-1J90****	200	10.0	26.5	17.0	8.5	22.5	0.8	CL24106-2A90****	200
20.0	26.5	22.0	12.0	22.5	0.8	CL24206-1J90****	200	15.0	26.5	20.0	11.0	22.5	0.8	CL24156-2A90****	200
4.7	32.0	18.0	9.0	27.5	0.8	CL24475-1JB0****	500	20.0	26.5	22.0	12.0	22.5	0.8	CL24206-2A90****	200
5.6	32.0	18.0	9.0	27.5	0.8	CL24565-1JB0****	500	2.2	32.0	18.0	9.0	27.5	0.8	CL24225-2AB0****	500
6.8	32.0	18.0	9.0	27.5	0.8	CL24685-1JB0****	500	3.3	32.0	18.0	9.0	27.5	0.8	CL24335-2AB0****	500
8.2	32.0	18.0	9.0	27.5	0.8	CL24825-1JB0****	500	4.7	32.0	18.0	9.0	27.5	0.8	CL24475-2AB0****	500
10.0	32.0	18.0	9.0	27.5	0.8	CL24106-1JB0****	500	5.6	32.0	18.0	9.0	27.5	0.8	CL24565-2AB0****	500
15.0	32.0	18.0	9.0	27.5	0.8	CL24156-1JB0****	500	6.8	32.0	18.0	9.0	27.5	0.8	CL24685-2AB0****	500
20.0	32.0	20.0	11.0	27.5	0.8	CL24206-1JB0****	200	8.2	32.0	18.0	9.0	27.5	0.8	CL24825-2AB0****	500
25.0	32.0	22.0	13.0	27.5	0.8	CL24256-1JB0****	100	10.0	32.0	20.0	11.0	27.5	0.8	CL24106-2AB0****	200
30.0	32.0	22.0	13.0	27.5	0.8	CL24306-1JB0****	100	15.0	32.0	22.0	13.0	27.5	0.8	CL24156-2AB0****	100
35.0	32.0	25.0	14.0	27.5	0.8	CL24356-1JB0****	100	20.0	32.0	24.5	15.0	27.5	0.8	CL24206-2AB0****	100
40.0	32.0	24.5	15.0	27.5	0.8	CL24406-1JB0****	100	25.0	32.0	28.0	17.0	27.5	0.8	CL24256-2AB0****	50
45.0	32.0	28.0	17.0	27.5	0.8	CL24456-1JB0****	50								

备注:

“-”: 客户要求的容量偏差
 “****”: 表示引线加工和包装代码 (见 15 页表 4)
 MOQ: 最小订量

“-”=custom’s capacitor tolerance code, J=±5%, K=±10%, M=±20%
 “****”= Lead form and packing code (refer to table 4 in page 15)
 MOQ = Minimum order quantity



CL24

CL24 series

◆ 产品尺寸: Product Dimension:

250Vdc (160Vac)								400Vdc/450Vdc [▲] (200Vac)							
C (μ F)	W	H	T	P	d	产品代码 Part number	MOQ	C (μ F)	W	H	T	P	d	产品代码 Part number	MOQ
0.047	10.5	8.5	3.5	7.5	0.6	CL24473-2E30****	1000	0.012	10.5	8.5	3.5	7.5	0.6	CL24123-2G30****	1000
0.056	10.5	8.5	3.5	7.5	0.6	CL24563-2E30****	1000	0.015	10.5	8.5	3.5	7.5	0.6	CL24153-2G30****	1000
0.068	10.5	8.5	3.5	7.5	0.6	CL24683-2E30****	1000	0.022	10.5	8.5	3.5	7.5	0.6	CL24223-2G30****	1000
0.082	10.5	8.5	3.5	7.5	0.6	CL24823-2E30****	1000	0.033	10.5	9.0	4.0	7.5	0.6	CL24333-2G30****	1000
0.10	10.5	8.5	3.5	7.5	0.6	CL24104-2E30****	1000	0.047	10.5	10.0	5.0	7.5	0.6	CL24473-2G30****	1000
0.15	10.5	10.0	5.0	7.5	0.6	CL24154-2E30****	1000	0.056	10.5	10.0	5.0	7.5	0.6	CL24563-2G30****	1000
0.18	10.5	11.0	5.0	7.5	0.6	CL24184-2E30****	1000	0.068	10.5	11.0	5.0	7.5	0.6	CL24683-2G30****	1000
0.22	10.5	11.0	5.0	7.5	0.6	CL24224-2E30****	1000	0.082	10.5	12.0	6.0	7.5	0.6	CL24823-2G30****	1000
0.33	10.5	12.0	6.0	7.5	0.6	CL24334-2E30****	1000	0.10	10.5	12.0	6.0	7.5	0.6	CL24104-2G30****	1000
0.056	13.0	9.0	4.0	10.0	0.6	CL24563-2E40****	500	0.010	13.0	9.0	4.0	10.0	0.6	CL24103-2G40****	500
0.068	13.0	9.0	4.0	10.0	0.6	CL24683-2E40****	500	0.015	13.0	9.0	4.0	10.0	0.6	CL24153-2G40****	500
0.082	13.0	9.0	4.0	10.0	0.6	CL24823-2E40****	500	0.022	13.0	9.0	4.0	10.0	0.6	CL24223-2G40****	500
0.10	13.0	9.0	4.0	10.0	0.6	CL24104-2E40****	500	0.033	13.0	9.0	4.0	10.0	0.6	CL24333-2G40****	500
0.15	13.0	9.0	4.0	10.0	0.6	CL24154-2E40****	500	0.047	13.0	9.0	4.0	10.0	0.6	CL24473-2G40****	500
0.22	13.0	11.0	5.0	10.0	0.6	CL24224-2E40****	500	0.056	13.0	9.0	4.0	10.0	0.6	CL24563-2G40****	500
0.33	13.0	12.0	6.0	10.0	0.6	CL24334-2E40****	500	0.068	13.0	11.0	5.0	10.0	0.6	CL24683-2G40****	500
0.47	13.0	12.0	6.0	10.0	0.6	CL24474-2E40****	500	0.082	13.0	11.0	5.0	10.0	0.6	CL24823-2G40****	500
0.10	18.0	11.0	5.0	15.0	0.8	CL24104-2E60****	500	0.10	13.0	11.0	5.0	10.0	0.6	CL24104-2G40****	500
0.15	18.0	11.0	5.0	15.0	0.8	CL24154-2E60****	500	0.15	13.0	12.0	6.0	10.0	0.6	CL24154-2G40****	500
0.22	18.0	11.0	5.0	15.0	0.8	CL24224-2E60****	500	0.033	18.0	11.0	5.0	15.0	0.8	CL24333-2G60****	500
0.33	18.0	11.0	5.0	15.0	0.8	CL24334-2E60****	500	0.047	18.0	11.0	5.0	15.0	0.8	CL24473-2G60****	500
0.47	18.0	11.0	5.0	15.0	0.8	CL24474-2E60****	500	0.056	18.0	11.0	5.0	15.0	0.8	CL24563-2G60****	500
0.56	18.0	11.0	5.0	15.0	0.8	CL24564-2E60****	500	0.068	18.0	11.0	5.0	15.0	0.8	CL24683-2G60****	500
0.68	18.0	12.0	6.0	15.0	0.8	CL24684-2E60****	500	0.082	18.0	11.0	5.0	15.0	0.8	CL24823-2G60****	500
0.82	18.0	12.0	6.0	15.0	0.8	CL24824-2E60****	500	0.10	18.0	11.0	5.0	15.0	0.8	CL24104-2G60****	500
1.0	18.0	13.5	7.5	15.0	0.8	CL24105-2E60****	500	0.15	18.0	11.0	5.0	15.0	0.8	CL24154-2G60****	500
1.5	18.0	14.5	8.5	15.0	0.8	CL24155-2E60****	500	0.22	18.0	12.0	6.0	15.0	0.8	CL24224-2G60****	500
1.8	18.0	16.0	10.0	15.0	0.8	CL24185-2E60****	500	0.33	18.0	13.5	7.5	15.0	0.8	CL24334-2G60****	500
2.2	18.0	19.0	11.0	15.0	0.8	CL24225-2E60****	200	0.47	18.0	14.5	8.5	15.0	0.8	CL24474-2G60****	500
0.47	26.5	15.0	6.0	22.5	0.8	CL24474-2E90****	500	0.56	18.0	16.0	10.0	15.0	0.8	CL24564-2G60****	500
0.56	26.5	15.0	6.0	22.5	0.8	CL24564-2E90****	500	0.68	18.0	17.5	8.5	15.0	0.8	CL24684-2G60****	500
0.68	26.5	15.0	6.0	22.5	0.8	CL24684-2E90****	500	0.82	18.0	19.0	11.0	15.0	0.8	CL24824-2G60****	200
0.82	26.5	15.0	6.0	22.5	0.8	CL24824-2E90****	500	1.0	18.0	19.0	11.0	15.0	0.8	CL24105-2G60****	200
1.0	26.5	15.0	6.0	22.5	0.8	CL24105-2E90****	500	0.33	26.5	15.0	6.0	22.5	0.8	CL24334-2G90****	500
1.5	26.5	16.0	7.0	22.5	0.8	CL24155-2E90****	500	0.47	26.5	15.0	6.0	22.5	0.8	CL24474-2G90****	500
1.8	26.5	16.0	7.0	22.5	0.8	CL24185-2E90****	500	0.56	26.5	15.0	6.0	22.5	0.8	CL24564-2G90****	500
2.2	26.5	17.0	8.5	22.5	0.8	CL24225-2E90****	500	0.68	26.5	16.0	7.0	22.5	0.8	CL24684-2G90****	500
3.3	26.5	20.0	11.0	22.5	0.8	CL24335-2E90****	200	1.0	26.5	17.0	8.5	22.5	0.8	CL24105-2G90****	500
4.7	26.5	22.0	12.0	22.5	0.8	CL24475-2E90****	200	1.5	26.5	20.0	11.0	22.5	0.8	CL24155-2G90****	200
1.0	32.0	18.0	9.0	27.5	0.8	CL24105-2EB0****	500	2.2	26.5	22.0	12.0	22.5	0.8	CL24225-2G90****	200
1.5	32.0	18.0	9.0	27.5	0.8	CL24155-2EB0****	500	0.56	32.0	18.0	9.0	27.5	0.8	CL24564-2GB0****	500
1.8	32.0	18.0	9.0	27.5	0.8	CL24185-2EB0****	500	0.68	32.0	18.0	9.0	27.5	0.8	CL24684-2GB0****	500
2.2	32.0	18.0	9.0	27.5	0.8	CL24225-2EB0****	500	0.82	32.0	18.0	9.0	27.5	0.8	CL24824-2GB0****	500
3.3	32.0	18.0	9.0	27.5	0.8	CL24335-2EB0****	500	1.0	32.0	18.0	9.0	27.5	0.8	CL24105-2GB0****	500
4.7	32.0	20.0	11.0	27.5	0.8	CL24475-2EB0****	200	1.5	32.0	20.0	11.0	27.5	0.8	CL24155-2GB0****	200
5.6	32.0	22.0	13.0	27.5	0.8	CL24565-2EB0****	100	2.2	32.0	22.0	13.0	27.5	0.8	CL24225-2GB0****	100
6.8	32.0	25.0	14.0	27.5	0.8	CL24685-2EB0****	100	3.3	32.0	25.0	14.0	27.5	0.8	CL24335-2GB0****	100
8.2	32.0	24.5	15.0	27.5	0.8	CL24825-2EB0****	100								
10.0	32.0	28.0	17.0	27.5	0.8	CL24106-2EB0****	50								

备注:

“-”: 客户要求的容量偏差

“****”: 引线加工和包装代码 (见 15 页表 4)

“▲”: 当额定电压为 450Vdc 时, 第 9~10 位为 2S

MOQ: 最小订单量

“-”=custom’s capacitor tolerance code, J=±5%, K=±10%, M=±20%

“****”= Lead form and packing code (refer to table 4 in page 15)

“▲”=when the rated voltage is 450Vdc, the digit 9~10 is 2S

MOQ = Minimum order quantity

◆ 产品尺寸: Product Dimension:

630Vdc (220Vac)															
C (μF)	W	H	T	P	d	产品代码 Part number	MOQ	C (μF)	W	H	T	P	d	产品代码 Part number	MOQ
0.0047	10.5	8.5	3.5	7.5	0.6	CL24472-2J30****	1000	0.068	18.0	11.0	5.0	15.0	0.8	CL24683-2J60****	500
0.0056	10.5	8.5	3.5	7.5	0.6	CL24562-2J30****	1000	0.082	18.0	12.0	6.0	15.0	0.8	CL24823-2J60****	500
0.0068	10.5	8.5	3.5	7.5	0.6	CL24682-2J30****	1000	0.10	18.0	12.0	6.0	15.0	0.8	CL24104-2J60****	500
0.0082	10.5	8.5	3.5	7.5	0.6	CL24822-2J30****	1000	0.15	18.0	13.5	7.5	15.0	0.8	CL24154-2J60****	500
0.010	10.5	8.5	3.5	7.5	0.6	CL24103-2J30****	1000	0.22	18.0	16.0	10.0	15.0	0.8	CL24224-2J60****	500
0.015	10.5	11.0	5.0	7.5	0.6	CL24153-2J30****	1000	0.33	18.0	19.0	11.0	15.0	0.8	CL24334-2J60****	200
0.022	10.5	11.0	5.0	7.5	0.6	CL24223-2J30****	1000	0.10	26.5	15.0	6.0	22.5	0.8	CL24104-2J90****	500
0.033	10.5	12.0	6.0	7.5	0.6	CL24333-2J30****	1000	0.15	26.5	15.0	6.0	22.5	0.8	CL24154-2J90****	500
0.0047	13.0	9.0	4.0	10.0	0.6	CL24472-2J40****	500	0.22	26.5	16.0	7.0	22.5	0.8	CL24224-2J90****	500
0.0056	13.0	9.0	4.0	10.0	0.6	CL24562-2J40****	500	0.33	26.5	17.0	8.5	22.5	0.8	CL24334-2J90****	500
0.0068	13.0	9.0	4.0	10.0	0.6	CL24682-2J40****	500	0.47	26.5	18.5	10.0	22.5	0.8	CL24474-2J90****	200
0.0082	13.0	9.0	4.0	10.0	0.6	CL24822-2J40****	500	0.56	26.5	20.0	11.0	22.5	0.8	CL24564-2J90****	200
0.010	13.0	9.0	4.0	10.0	0.6	CL24103-2J40****	500	0.68	26.5	22.0	12.0	22.5	0.8	CL24684-2J90****	200
0.015	13.0	9.0	4.0	10.0	0.6	CL24153-2J40****	500	0.33	32.0	18.0	9.0	27.5	0.8	CL24334-2JB0****	500
0.022	13.0	9.0	4.0	10.0	0.6	CL24223-2J40****	500	0.47	32.0	18.0	9.0	27.5	0.8	CL24474-2JB0****	500
0.033	13.0	11.0	5.0	10.0	0.6	CL24333-2J40****	500	0.56	32.0	20.0	11.0	27.5	0.8	CL24564-2JB0****	200
0.047	13.0	12.0	6.0	10.0	0.6	CL24473-2J40****	500	0.68	32.0	20.0	11.0	27.5	0.8	CL24684-2JB0****	200
0.056	13.0	12.0	6.0	10.0	0.6	CL24563-2J40****	500	0.82	32.0	22.0	13.0	27.5	0.8	CL24824-2JB0****	100
0.033	18.0	11.0	5.0	15.0	0.8	CL24333-2J60****	500	1.0	32.0	22.0	13.0	27.5	0.8	CL24105-2JB0****	100
0.047	18.0	11.0	5.0	15.0	0.8	CL24473-2J60****	500	1.5	32.0	28.0	14.0	27.5	0.8	CL24155-2JB0****	100
0.056	18.0	11.0	5.0	15.0	0.8	CL24563-2J60****	500	2.2	32.0	33.0	18.0	27.5	0.8	CL24225-2JB0****	50

备注:

“-”: 客户要求的容量偏差

“****”: 引线加工和包装代码 (见 15 页表 4)

MOQ: 最小订单量

“-”=custom's capacitor tolerance code, J=±5%, K=±10%, M=±20%

“****”= Lead form and packing code (refer to table 4 in page 15)

MOQ = Minimum order quantity

◆ 最大电压脉冲斜率: Max dv/dt (V/μs)

额定电压 (V)	dv/dt(V/μs)				
	P=5.0mm	P=7.5mm	P=10.0mm	P=15.0mm	P=22.5mm
63	10	6	4	2	1
100	18	11	7	5	3
250	30	20	12	8	5
400/450	50	38	20	15	9
630	70	50	32	24	15