



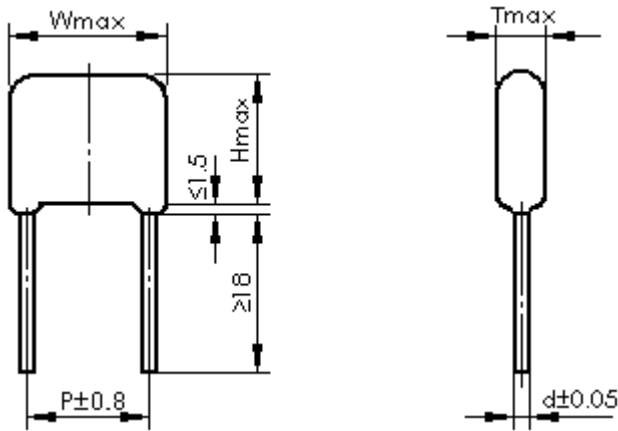
CL21

CL21 series

## CL21 型金属化聚酯膜电容器（浸渍型）

### Metallized Polyester Film Capacitor (Dipped)

#### ◆ 外形尺寸图及产品结构 Outline Drawing and Capacitor Construction



#### ◆ 特点及用途 Application and Feature

金属化聚酯膜，无感卷绕结构，体积小，自愈性好，适用于直流、脉动、开关电路，电子镇流器和变频器等直流滤波。

Metallized polyester film, non-inductive wound construction, small size and excellent self-healing property. Suitable for the direct current, impulse, as intermediate circuit capacitors for SMPS、Electronic Ballast、inverter.

#### ◆ 技术要求 Specifications

参照标准 Reference Standard	GB 7332、IEC 60384-2	
气候类别 Climatic Category	55/125/21	
工作温度范围 Operation Temperature Range	-55℃~125℃	
额定温度 Rated Temperature	85℃	
额定电压 Rated Voltage	50Vdc、63Vdc、100Vdc、160Vdc、250Vdc、400Vdc /450Vdc、630Vdc	
电容量范围 Capacitance Range	0.001μF~10.0μF	
电容量偏差 Capacitance Tolerance	±5%(J)、±10%(K)、±20%(M) (20℃, 1kHz)	
耐电压 Voltage Proof	U=1.6U <sub>R</sub> (20℃, 5s)	
绝缘电阻 Insulation Resistance	U <sub>R</sub> ≤100Vdc	C <sub>R</sub> ≤0.33μF, IR≥15 000MΩ (20℃, 10Vdc, 1min) C <sub>R</sub> >0.33μF, IR×C≥5 000s
	U <sub>R</sub> >100Vdc	C <sub>R</sub> ≤0.33μF, IR≥30 000 MΩ (20℃, 100Vdc, 1min) C <sub>R</sub> >0.33μF, IR×C≥10 000s
损耗角正切 Dissipation Factor	≤0.0080 (1kHz, 20℃)	
说明：电容器的工作电压随温度上升而下降，在 85~125℃之间，以 85℃为基准，环境温度每上升 1℃，电容器的额定工作电压应降低 1.25%。 Note: The working voltage of the capacitor decreases as the temperature rises. between 85~125℃,take 85℃ as the base, the temperature rises 1℃,the rated working voltage of the capacitor decreases 1.25%.		

#### ◆ 最大电压脉冲斜率：Max dv/dt (V/μs)

额定电压 (V)	dv/dt(V/μs)				
	P=5.0mm	P=7.5mm	P=10.0mm	P=15.0mm	P=22.5mm
50/63/100	20	18	11	7	5
160	28	23	14	10	6
250	45	30	20	12	8
400/450	80	50	38	20	15
630	100	70	50	32	24

◆ 产品尺寸: Special Product Dimension:

50Vdc/63 <sup>▲</sup> Vdc (40Vac)															
C (μF)	W	H	T	P	d	产品代码 Part number	MOQ	C (μF)	W	H	T	P	d	产品代码 Part number	MOQ
0.1	7.2	8.0	4.0	5.0	0.5	CL21104-1H20****	1000	0.39	12.5	8.0	4.0	10.0	0.6	CL21394-1H40****	500
0.12	7.2	8.0	4.0	5.0	0.5	CL21124-1H20****	1000	0.47	12.5	8.5	4.5	10.0	0.6	CL21474-1H40****	500
0.15	7.2	8.0	4.0	5.0	0.5	CL21154-1H20****	1000	0.56	12.5	8.0	4.0	10.0	0.6	CL21564-1H40****	500
0.18	7.2	8.0	4.0	5.0	0.5	CL21184-1H20****	1000	0.68	12.5	8.0	4.0	10.0	0.6	CL21684-1H40****	500
0.22	7.2	8.0	4.0	5.0	0.5	CL21224-1H20****	1000	0.82	12.5	8.5	4.5	10.0	0.6	CL21824-1H40****	500
0.27	7.2	8.0	4.0	5.0	0.5	CL21274-1H20****	1000	1	12.5	9.0	5.0	10.0	0.6	CL21105-1H40****	500
0.33	7.2	8.5	4.0	5.0	0.5	CL21334-1H20****	1000	1.2	12.5	9.5	5.5	10.0	0.6	CL21125-1H40****	500
0.39	7.2	8.5	4.5	5.0	0.5	CL21394-1H20****	1000	1.5	12.5	10.0	6.0	10.0	0.6	CL21155-1H40****	500
0.47	7.2	9.5	5.0	5.0	0.5	CL21474-1H20****	1000	1.8	12.5	10.5	6.5	10.0	0.6	CL21185-1H40****	500
0.56	7.2	10.0	5.5	5.0	0.5	CL21564-1H20****	1000	2.2	12.5	12.0	7.0	10.0	0.6	CL21225-1H40****	500
0.68	7.2	10.5	6.0	5.0	0.5	CL21684-1H20****	1000	1	17.5	10.0	4.5	15.0	0.6	CL21105-1H60****	500
0.1	10.2	7.5	4.0	7.5	0.6	CL21104-1H30****	1000	1.2	17.5	10.5	5.0	15.0	0.6	CL21125-1H60****	500
0.12	10.2	8.0	4.0	7.5	0.6	CL21124-1H30****	1000	1.5	17.5	10.0	4.5	15.0	0.6	CL21155-1H60****	500
0.15	10.2	8.0	4.0	7.5	0.6	CL21154-1H30****	1000	1.8	17.5	10.5	5.0	15.0	0.6	CL21185-1H60****	500
0.18	10.2	8.0	4.0	7.5	0.6	CL21184-1H30****	1000	2.2	17.5	11.0	5.5	15.0	0.6	CL21225-1H60****	500
0.22	10.2	8.0	4.0	7.5	0.6	CL21224-1H30****	1000	2.7	17.5	11.5	6.0	15.0	0.6	CL21275-1H60****	500
0.27	10.2	8.0	4.0	7.5	0.6	CL21274-1H30****	1000	3.3	17.5	13.0	6.0	15.0	0.8	CL21335-1H60****	500
0.33	10.2	8.0	4.0	7.5	0.6	CL21334-1H30****	1000	3.9	17.5	13.5	6.5	15.0	0.8	CL21395-1H60****	500
0.39	10.2	8.0	4.0	7.5	0.6	CL21394-1H30****	1000	4.7	17.5	14.5	7.0	15.0	0.8	CL21475-1H60****	500
0.47	10.2	8.0	4.0	7.5	0.6	CL21474-1H30****	1000	5.6	17.5	15.0	8.0	15.0	0.8	CL21565-1H60****	500
0.56	10.2	8.5	4.5	7.5	0.6	CL21564-1H30****	1000	6.8	17.5	16.0	8.5	15.0	0.8	CL21685-1H60****	500
0.68	10.2	9.0	5.0	7.5	0.6	CL21684-1H30****	1000	8.2	17.5	17.0	9.5	15.0	0.8	CL21825-1H60****	500
0.82	10.2	9.0	5.0	7.5	0.6	CL21824-1H30****	1000	3.3	25.5	12.0	5.0	22.5	0.8	CL21335-1H90****	500
1	10.2	10.0	5.5	7.5	0.6	CL21105-1H30****	1000	3.9	25.5	12.5	5.0	22.5	0.8	CL21395-1H90****	500
1.2	10.2	11.5	6	7.5	0.6	CL21125-1H30****	1000	4.7	25.5	13.0	6.0	22.5	0.8	CL21475-1H90****	500
1.5	10.2	12.0	7.0	7.5	0.6	CL21155-1H30****	1000	5.6	25.5	13.5	6.5	22.5	0.8	CL21565-1H90****	500
0.22	12.5	8.0	3.5	10.0	0.6	CL21224-1H40****	500	6.8	25.5	14.5	7.0	22.5	0.8	CL21685-1H90****	500
0.27	12.5	8.0	4.0	10.0	0.6	CL21274-1H40****	500	8.2	25.5	15.0	7.5	22.5	0.8	CL21825-1H90****	500
0.33	12.5	8.0	4.0	10.0	0.6	CL21334-1H40****	500	10	25.5	16.0	8.5	22.5	0.8	CL21106-1H90****	500

备注:

“-”: 客户要求的容量偏差

“\*\*\*\*”: 引线加工和包装代码 (见 15 页表 4)

“▲”: 当额定电压为 63V 时, 第 9~10 位为 1J

MOQ: 最小订单量

“-”=custom's capacitor tolerance code, J=±5%, K=±10%, M=±20%

“\*\*\*\*”= Lead form and packing code (refer to table 4 in page 15)

“▲”when the rated voltage is 63Vdc, the digit 9~10 is 1J

MOQ = Minimum order quantity



◆ 产品尺寸: Special Product Dimension:

100Vdc (63Vac)																
C (μF)	W	H	T	P	d	产品代码 Part number	MOQ	C (μF)	W	H	T	P	d	产品代码 Part number	MOQ	
0.1	7.2	8.0	4.0	5.0	0.5	CL21104-2A20****	1000	0.56	12.5	9.0	4.5	10.0	0.6	CL21564-2A40****	500	
0.12	7.2	7.5	4.0	5.0	0.5	CL21124-2A20****	1000	0.68	12.5	9.0	5.0	10.0	0.6	CL21684-2A40****	500	
0.15	7.2	8.0	4.0	5.0	0.5	CL21154-2A20****	1000	0.82	12.5	10.0	5.5	10.0	0.6	CL21824-2A40****	500	
0.18	7.2	8.0	4.0	5.0	0.5	CL21184-2A20****	1000	1	12.5	10.5	6.0	10.0	0.6	CL21105-2A40****	500	
0.22	7.2	8.5	4.5	5.0	0.5	CL21224-2A20****	1000	1.2	12.5	12.0	6.0	10.0	0.6	CL21125-2A40****	500	
0.27	7.2	9.5	5.0	5.0	0.5	CL21274-2A20****	1000	1.5	12.5	13.0	7.0	10.0	0.6	CL21155-2A40****	500	
0.33	7.2	10.0	5.5	5.0	0.5	CL21334-2A20****	1000	1	17.5	10.0	4.5	15.0	0.6	CL21105-2A60****	500	
0.1	10.2	7.5	4.0	7.5	0.6	CL21104-2A30****	1000	1.2	17.5	10.5	5.0	15.0	0.6	CL21125-2A60****	500	
0.12	10.2	8.0	4.0	7.5	0.6	CL21124-2A30****	1000	1.5	17.5	11.0	5.5	15.0	0.6	CL21155-2A60****	500	
0.15	10.2	8.0	4.0	7.5	0.6	CL21154-2A30****	1000	1.8	17.5	11.5	6.0	15.0	0.6	CL21185-2A60****	500	
0.18	10.2	8.0	4.0	7.5	0.6	CL21184-2A30****	1000	2.2	17.5	12.5	6.5	15.0	0.8	CL21225-2A60****	500	
0.22	10.2	8.0	4.0	7.5	0.6	CL21224-2A30****	1000	2.7	17.5	14.0	6.5	15.0	0.8	CL21275-2A60****	500	
0.27	10.2	8.0	4.0	7.5	0.6	CL21274-2A30****	1000	3.3	17.5	15.0	7.5	15.0	0.8	CL21335-2A60****	500	
0.33	10.2	8.5	4.0	7.5	0.6	CL21334-2A30****	1000	3.9	17.5	15.5	8.0	15.0	0.8	CL21395-2A60****	500	
0.39	10.2	8.5	4.5	7.5	0.6	CL21394-2A30****	1000	4.7	17.5	16.5	9.0	15.0	0.8	CL21475-2A60****	500	
0.47	10.2	9.0	5.0	7.5	0.6	CL21474-2A30****	1000	5.6	17.5	18.5	10.0	15.0	0.8	CL21565-2A60****	500	
0.56	10.2	9.5	5.5	7.5	0.6	CL21564-2A30****	1000	2.2	25.5	12.0	5.0	22.5	0.8	CL21225-2A90****	500	
0.68	10.2	11.0	6.0	7.5	0.6	CL21684-2A30****	1000	2.7	25.5	13.0	5.5	22.5	0.8	CL21275-2A90****	500	
0.82	10.2	11.5	6.5	7.5	0.6	CL21824-2A30****	1000	3.3	25.5	13.5	6.0	22.5	0.8	CL21335-2A90****	500	
1	10.2	12.0	7.0	7.5	0.6	CL21105-2A30****	1000	3.9	25.5	15.0	6.0	22.5	0.8	CL21395-2A90****	500	
0.22	12.5	8.0	4.0	10.0	0.6	CL21224-2A40****	500	4.7	25.5	15.5	7.0	22.5	0.8	CL21475-2A90****	500	
0.27	12.5	8.0	4.0	10.0	0.6	CL21274-2A40****	500	5.6	25.5	16.5	7.5	22.5	0.8	CL21565-2A90****	500	
0.33	12.5	8.0	4.0	10.0	0.6	CL21334-2A40****	500	6.8	25.5	17.0	8.5	22.5	0.8	CL21685-2A90****	500	
0.39	12.5	8.0	4.0	10.0	0.6	CL21394-2A40****	500	8.2	25.5	18.0	9.0	22.5	0.8	CL21825-2A90****	500	
0.47	12.5	8.5	4.5	10.0	0.6	CL21474-2A40****	500	10	25.5	19.0	10.5	22.5	0.8	CL21106-2A90****	200	

备注:

“-”: 客户要求的容量偏差

“\*\*\*\*”: 引线加工和包装代码 (见 15 页表 4)

MOQ: 最小订量

“-”=custom's capacitor tolerance code, J=±5%, K=±10%, M=±20%

“\*\*\*\*”= Lead form and packing code (refer to table 4 in page 15)

MOQ = Minimum order quantity

◆ 产品尺寸: Special Product Dimension:

160Vdc (90Vac)															
C (μF)	W	H	T	P	d	产品代码 Part number	MOQ	C (μF)	W	H	T	P	d	产品代码 Part number	MOQ
0.033	7.2	7.5	4.0	5.0	0.5	CL21333-2C20****	1000	0.39	12.5	9.0	5.0	10.0	0.6	CL21394-2C40****	500
0.039	7.2	7.5	4.0	5.0	0.5	CL21393-2C20****	1000	0.47	12.5	9.0	5.0	10.0	0.6	CL21474-2C40****	500
0.047	7.2	7.5	4.0	5.0	0.5	CL21473-2C20****	1000	0.56	12.5	10.0	5.5	10.0	0.6	CL21564-2C40****	500
0.056	7.2	7.5	4.0	5.0	0.5	CL21563-2C20****	1000	0.68	12.5	10.5	6.0	10.0	0.6	CL21684-2C40****	500
0.068	7.2	7.5	4.0	5.0	0.5	CL21683-2C20****	1000	0.82	12.5	11.5	6.0	10.0	0.6	CL21824-2C40****	500
0.082	7.2	7.5	4.0	5.0	0.5	CL21823-2C20****	1000	1	12.5	13.0	7.0	10.0	0.6	CL21105-2C40****	500
0.1	7.2	8.0	4.0	5.0	0.5	CL21104-2C20****	1000	0.68	17.5	10.0	4.5	15.0	0.6	CL21684-2C60****	500
0.12	7.2	8.0	4.0	5.0	0.5	CL21124-2C20****	1000	0.82	17.5	10.5	5.0	15.0	0.6	CL21824-2C60****	500
0.15	7.2	8.5	4.5	5.0	0.5	CL21154-2C20****	1000	1	17.5	11.0	5.5	15.0	0.6	CL21105-2C60****	500
0.18	7.2	9.5	5.0	5.0	0.5	CL21184-2C20****	1000	1.2	17.5	11.5	6.0	15.0	0.6	CL21125-2C60****	500
0.22	7.2	10.0	5.5	5.0	0.5	CL21224-2C20****	1000	1.5	17.5	12.5	6.5	15.0	0.8	CL21155-2C60****	500
0.1	10.2	7.5	4.0	7.5	0.6	CL21104-2C30****	1000	1.8	17.5	14.0	6.5	15.0	0.8	CL21185-2C60****	500
0.12	10.2	8.0	4.0	7.5	0.6	CL21124-2C30****	1000	2.2	17.5	14.5	7.5	15.0	0.8	CL21225-2C60****	500
0.15	10.2	8.0	4.0	7.5	0.6	CL21154-2C30****	1000	2.7	17.5	15.5	8.5	15.0	0.8	CL21275-2C60****	500
0.18	10.2	8.0	4.0	7.5	0.6	CL21184-2C30****	1000	3.3	17.5	16.5	9.0	15.0	0.8	CL21335-2C60****	500
0.22	10.2	8.5	4.0	7.5	0.6	CL21224-2C30****	1000	2.2	25.5	13.0	6.0	22.5	0.8	CL21225-2C90****	500
0.27	10.2	8.5	4.5	7.5	0.6	CL21274-2C30****	1000	2.7	25.5	14.0	6.5	22.5	0.8	CL21275-2C90****	500
0.33	10.2	9.0	5.0	7.5	0.6	CL21334-2C30****	1000	3.3	25.5	14.5	7.5	22.5	0.8	CL21335-2C90****	500
0.39	10.2	9.5	5.5	7.5	0.6	CL21394-2C30****	1000	3.9	25.5	16.5	7.5	22.5	0.8	CL21395-2C90****	500
0.47	10.2	11.0	6.0	7.5	0.6	CL21474-2C30****	1000	4.7	25.5	17.0	8.5	22.5	0.8	CL21475-2C90****	500
0.15	12.5	8.0	4.0	10.0	0.6	CL21154-2C40****	500	5.6	25.5	18.0	9.0	22.5	0.8	CL21565-2C90****	500
0.18	12.5	8.0	4.0	10.0	0.6	CL21184-2C40****	500	6.8	25.5	19.0	10.0	22.5	0.8	CL21685-2C90****	500
0.22	12.5	8.0	4.0	10.0	0.6	CL21224-2C40****	500	8.2	25.5	20.0	11.5	22.5	0.8	CL21825-2C90****	200
0.27	12.5	8.0	4.0	10.0	0.6	CL21274-2C40****	500	10	25.5	21.5	12.5	22.5	0.8	CL21106-2C90****	200
0.33	12.5	8.5	4.5	10.0	0.6	CL21334-2C40****	500								

备注:

“-”: 客户要求的容量偏差

“\*\*\*\*”: 引线加工和包装代码 (见 15 页表 4)

MOQ: 最小订单量

“-”=custom's capacitor tolerance code, J=±5%, K=±10%, M=±20%

“\*\*\*\*”= Lead form and packing code (refer to table 4 in page 15)

MOQ = Minimum order quantity



CL21  
CL21 series

◆ 产品尺寸: Special Product Dimension:

250Vdc (160Vac)															
C (μF)	W	H	T	P	d	产品代码 Part number	MOQ	C (μF)	W	H	T	P	d	产品代码 Part number	MOQ
0.022	7.2	8.0	4.0	5.0	0.5	CL21223-2E20****	1000	0.18	12.5	9.5	4.5	10.0	0.6	CL21184-2E40****	500
0.027	7.2	8.0	4.0	5.0	0.5	CL21273-2E20****	1000	0.22	12.5	10.5	5.0	10.0	0.6	CL21224-2E40****	500
0.033	7.2	8.0	4.0	5.0	0.5	CL21333-2E20****	1000	0.27	12.5	11.0	5.5	10.0	0.6	CL21274-2E40****	500
0.039	7.2	8.0	4.0	5.0	0.5	CL21393-2E20****	1000	0.33	12.5	11.5	6.0	10.0	0.6	CL21334-2E40****	500
0.047	7.2	8.0	4.0	5.0	0.5	CL21473-2E20****	1000	0.39	12.5	12.0	6.5	10.0	0.6	CL21394-2E40****	500
0.056	7.2	8.5	4.5	5.0	0.5	CL21563-2E20****	1000	0.43	12.5	12.5	6.5	10.0	0.6	CL21434-2E40****	500
0.068	7.2	8.5	4.5	5.0	0.5	CL21683-2E20****	1000	0.47	12.5	12.5	7.0	10.0	0.6	CL21474-2E40****	500
0.082	7.2	9.5	5.5	5.0	0.5	CL21823-2E20****	1000	0.56	12.5	13.5	7.5	10.0	0.6	CL21564-2E40****	500
0.1	7.2	10.0	6.0	5.0	0.5	CL21104-2E20****	1000	0.68	12.5	15.0	8.0	10.0	0.6	CL21684-2E40****	500
0.022	10.2	7.5	3.5	7.5	0.6	CL21223-2E30***	1000	0.33	17.5	10.5	4.5	15.0	0.6	CL21334-2E60****	500
0.033	10.2	7.5	4.0	7.5	0.6	CL21333-2E30****	1000	0.39	17.5	11.0	5.0	15.0	0.6	CL21394-2E60****	500
0.039	10.2	8.0	4.0	7.5	0.6	CL21393-2E30****	1000	0.47	17.5	11.5	5.5	15.0	0.6	CL21474-2E60****	500
0.047	10.2	8.0	4.0	7.5	0.6	CL21473-2E30****	1000	0.56	17.5	12.0	6.0	15.0	0.8	CL21564-2E60****	500
0.056	10.2	8.0	4.0	7.5	0.6	CL21563-2E30****	1000	0.68	17.5	13.5	6.0	15.0	0.8	CL21684-2E60****	500
0.068	10.2	8.0	4.0	7.5	0.6	CL21683-2E30****	1000	0.82	17.5	14.0	7.0	15.0	0.8	CL21824-2E60****	500
0.082	10.2	8.0	4.0	7.5	0.6	CL21823-2E30****	1000	1	17.5	15.0	7.5	15.0	0.8	CL21105-2E60****	500
0.1	10.2	8.5	4.0	7.5	0.6	CL21104-2E30****	1000	1.2	17.5	15.5	8.5	15.0	0.8	CL21125-2E60****	500
0.12	10.2	8.5	4.5	7.5	0.6	CL21124-2E30****	1000	1.5	17.5	16.5	9.5	15.0	0.8	CL21155-2E60****	500
0.15	10.2	9.0	5.0	7.5	0.6	CL21154-2E30****	1000	0.68	25.5	12.0	5.0	22.5	0.8	CL21684-2E90****	500
0.18	10.2	9.5	5.5	7.5	0.6	CL21184-2E30****	1000	0.82	25.5	12.5	5.5	22.5	0.8	CL21824-2E90****	500
0.22	10.2	11.5	6.0	7.5	0.6	CL21224-2E30****	1000	1	25.5	13.5	6.0	22.5	0.8	CL21105-2E90****	500
0.27	10.2	12.5	6.5	7.5	0.6	CL21274-2E30****	1000	1.2	25.5	14.0	6.5	22.5	0.8	CL21125-2E90****	500
0.29	10.2	12.5	6.5	7.5	0.6	CL21294-2E30****	1000	1.5	25.5	14.5	7.5	22.5	0.8	CL21155-2E90****	500
0.33	10.2	13.0	7.0	7.5	0.6	CL21334-2E30****	1000	1.8	25.5	16.5	7.5	22.5	0.8	CL21185-2E90****	500
0.082	12.5	7.5	3.5	10.0	0.6	CL21823-2E40***	500	2.2	25.5	17.5	8.5	22.5	0.8	CL21225-2E90***	500
0.1	12.5	8.0	4.0	10.0	0.6	CL21104-2E40****	500	2.7	25.5	18.5	9.5	22.5	0.8	CL21275-2E90****	500
0.082	12.5	7.5	3.5	10.0	0.6	CL21823-2E30***	500	3.3	25.5	19.5	10.5	22.5	0.8	CL21335-2E90****	200
0.12	12.5	8.0	4.0	10.0	0.6	CL21124-2E40****	500	3.9	25.5	20.5	12.0	22.5	0.8	CL21395-2E90****	200
0.15	12.5	8.5	4.5	10.0	0.6	CL21154-2E40****	500	4.7	25.5	22.0	13.0	22.5	0.8	CL21475-2E90****	200
								5.6	25.5	23.5	14.5	22.5	0.8	CL21565-2E90****	200

备注:

“-”: 客户要求的容量偏差

“\*\*\*\*”: 引线加工和包装代码 (见 15 页表 4)

MOQ: 最小订量

“-”=custom's capacitor tolerance code, J=±5%, K=±10%, M=±20%

“\*\*\*\*”= Lead form and packing code (refer to table 4 in page 15)

MOQ = Minimum order quantity

◆ 产品尺寸: Special Product Dimension:

400Vdc/450Vdc <sup>▲</sup> (200Vac)																
C (μF)	W	H	T	P	d	产品代码 Part number	MOQ	C (μF)	W	H	T	P	d	产品代码 Part number	MOQ	
0.01	7.2	7.5	4.0	5.0	0.5	CL21103-2G20****	1000	0.12	12.5	10.5	5.0	10.0	0.6	CL21124-2G40****	500	
0.012	7.2	8.0	4.0	5.0	0.5	CL21123-2G20****	1000	0.15	12.5	11.5	5.5	10.0	0.6	CL21154-2G40****	500	
0.015	7.2	8.0	4.0	5.0	0.5	CL21153-2G20****	1000	0.18	12.5	12.0	6.0	10.0	0.6	CL21184-2G40****	500	
0.018	7.2	8.0	4.0	5.0	0.5	CL21183-2G20****	1000	0.22	12.5	13.0	7.0	10.0	0.6	CL21224-2G40****	500	
0.022	7.2	8.5	4.5	5.0	0.5	CL21223-2G20****	1000	0.27	12.5	15.0	7.5	10.0	0.6	CL21274-2G40****	500	
0.027	7.2	9.0	5.0	5.0	0.5	CL21273-2G20****	1000	0.33	12.5	15.5	8.0	10.0	0.6	CL21334-2G40****	500	
0.033	7.2	10.0	5.5	5.0	0.5	CL21333-2G20****	1000	0.1	17.5	9.0	4.0	15.0	0.6	CL21104-2G60****	500	
0.039	7.2	10.5	6.0	5.0	0.5	CL21393-2G20****	1000	0.12	17.5	9.0	4.5	15.0	0.6	CL21124-2G60****	500	
0.047	7.2	11.5	6.0	5.0	0.5	CL21473-2G20****	1000	0.15	17.5	10.0	4.5	15.0	0.6	CL21154-2G60****	500	
0.01	10.2	7.5	3.5	7.5	0.6	CL21103-2G30****	1000	0.18	17.5	10.5	5.0	15.0	0.6	CL21184-2G60****	500	
0.015	10.2	7.5	3.5	7.5	0.6	CL21153-2G30****	1000	0.22	17.5	11.0	5.5	15.0	0.6	CL21224-2G60****	500	
0.018	10.2	8.0	4.0	7.5	0.6	CL21183-2G30****	1000	0.27	17.5	11.5	6.0	15.0	0.6	CL21274-2G60****	500	
0.022	10.2	7.5	3.5	7.5	0.6	CL21223-2G30****	1000	0.33	17.5	12.0	6.5	15.0	0.8	CL21334-2G60****	500	
0.027	10.2	8.0	4.0	7.5	0.6	CL21273-2G30****	1000	0.39	17.5	14.0	6.5	15.0	0.8	CL21394-2G60****	500	
0.033	10.2	8.0	4.0	7.5	0.6	CL21333-2G30****	1000	0.47	17.5	14.5	7.0	15.0	0.8	CL21474-2G60****	500	
0.039	10.2	8.0	4.0	7.5	0.6	CL21393-2G30****	1000	0.56	17.5	15.0	8.0	15.0	0.8	CL21564-2G60****	500	
0.047	10.2	8.5	4.5	7.5	0.6	CL21473-2G30****	1000	0.68	17.5	16.0	9.0	15.0	0.8	CL21684-2G60****	500	
0.056	10.2	9.0	4.5	7.5	0.6	CL21563-2G30****	1000	0.82	17.5	18.0	9.0	15.0	0.8	CL21824-2G60****	500	
0.068	10.2	9.0	5.0	7.5	0.6	CL21683-2G30****	1000	1	17.5	19.5	10.0	15.0	0.8	CL21105-2G60****	500	
0.082	10.2	9.5	5.5	7.5	0.6	CL21823-2G30****	1000	0.33	25.5	12.0	5.0	22.5	0.8	CL21334-2G90****	500	
0.1	10.2	11.5	6.0	7.5	0.6	CL21104-2G30****	1000	0.39	25.5	12.5	5.0	22.5	0.8	CL21394-2G90****	500	
0.12	10.2	12.0	6.5	7.5	0.6	CL21124-2G30****	1000	0.47	25.5	13.0	5.5	22.5	0.8	CL21474-2G90****	500	
0.15	10.2	13.0	7.0	7.5	0.6	CL21154-2G30****	1000	0.56	25.5	13.5	6.0	22.5	0.8	CL21564-2G90****	500	
0.022	12.5	8.0	4.0	10.0	0.6	CL21223-2G40****	500	0.68	25.5	14.0	7.0	22.5	0.8	CL21684-2G90****	500	
0.027	12.5	8.0	4.0	10.0	0.6	CL21273-2G40****	500	0.82	25.5	15.0	7.5	22.5	0.8	CL21824-2G90****	500	
0.033	12.5	8.0	4.0	10.0	0.6	CL21333-2G40****	500	1	25.5	16.5	8.0	22.5	0.8	CL21105-2G90****	500	
0.039	12.5	8.0	4.0	10.0	0.6	CL21393-2G40****	500	1.2	25.5	17.5	8.5	22.5	0.8	CL21125-2G90****	500	
0.047	12.5	8.0	4.0	10.0	0.6	CL21473-2G40****	500	1.5	25.5	18.5	9.5	22.5	0.8	CL21155-2G90****	500	
0.056	12.5	8.0	4.0	10.0	0.6	CL21563-2G40****	500	1.8	25.5	19.5	10.5	22.5	0.8	CL21185-2G90****	200	
0.068	12.5	8.5	4.5	10.0	0.6	CL21683-2G40****	500	2.2	25.5	21.0	12.5	22.5	0.8	CL21225-2G90****	200	
0.082	12.5	9.0	5.0	10.0	0.6	CL21823-2G40****	500	2.7	25.5	22.5	14.0	22.5	0.8	CL21275-2G90****	200	
0.1	12.5	10.0	5.0	10.0	0.6	CL21104-2G40****	500	3.3	25.5	24.0	15.5	22.5	0.8	CL21335-2G90****	200	

备注:

“-”: 客户要求的容量偏差

“\*\*\*\*”: 引线加工和包装代码 (见 15 页表 4)

“▲”: 当额定电压为 450Vdc 时, 第 9~10 位为 2S

MOQ: 最小订单量

“-”=custom's capacitor tolerance code, J=±5%, K=±10%, M=±20%

“\*\*\*\*”= Lead form and packing code (refer to table 4 in page 15)

“▲”=when the rated voltage is 450Vdc, the digit 9~10 is 2S

MOQ = Minimum order quantity



# CL21

## CL21 series

### ◆ 产品尺寸: Special Product Dimension:

630Vdc (220Vac)															
C ( $\mu$ F)	W	H	T	P	d	产品代码 Part number	MOQ	C ( $\mu$ F)	W	H	T	P	d	产品代码 Part number	MOQ
0.0022	7.2	8.0	4.0	5.0	0.5	CL21222-2J20****	1000	0.027	12.5	8.5	4.5	10.0	0.6	CL21273-2J40****	500
0.0027	7.2	8.0	4.0	5.0	0.5	CL21272-2J20****	1000	0.033	12.5	8.5	4.5	10.0	0.6	CL21333-2J40****	500
0.0033	7.2	8.0	4.0	5.0	0.5	CL21332-2J20****	1000	0.039	12.5	9.0	5.0	10.0	0.6	CL21393-2J40****	500
0.0039	7.2	8.5	4.0	5.0	0.5	CL21392-2J20****	1000	0.047	12.5	10.0	5.0	10.0	0.6	CL21473-2J40****	500
0.0047	7.2	8.0	4.0	5.0	0.5	CL21472-2J20****	1000	0.056	12.5	10.5	5.5	10.0	0.6	CL21563-2J40****	500
0.0056	7.2	8.0	4.0	5.0	0.5	CL21562-2J20****	1000	0.068	12.5	11.5	6.0	10.0	0.6	CL21683-2J40****	500
0.0068	7.2	8.0	4.0	5.0	0.5	CL21682-2J20****	1000	0.082	12.5	12.0	6.5	10.0	0.6	CL21823-2J40****	500
0.0082	7.2	8.0	4.0	5.0	0.5	CL21822-2J20****	1000	0.1	12.5	13.5	7.5	10.0	0.6	CL21104-2J40****	500
0.01	7.2	8.5	4.5	5.0	0.5	CL21103-2J20****	1000	0.047	17.5	10.0	4.5	15.0	0.6	CL21473-2J60****	500
0.012	7.2	9.5	5.0	5.0	0.5	CL21123-2J20****	1000	0.056	17.5	10.0	4.5	15.0	0.6	CL21563-2J60****	500
0.0010	10.2	8.0	4.0	7.5	0.6	CL21102-2J30****	1000	0.068	17.5	10.5	4.5	15.0	0.6	CL21683-2J60****	500
0.0012	10.2	8.5	4.0	7.5	0.6	CL21122-2J30****	1000	0.082	17.5	11.0	5.0	15.0	0.6	CL21823-2J60****	500
0.0015	10.2	8.0	4.0	7.5	0.6	CL21152-2J30****	1000	0.1	17.5	11.5	6.5	15.0	0.8	CL21104-2J60****	500
0.0018	10.2	8.5	4.0	7.5	0.6	CL21182-2J30****	1000	0.12	17.5	12.0	6.0	15.0	0.8	CL21124-2J60****	500
0.0022	10.2	8.0	4.0	7.5	0.6	CL21222-2J30****	1000	0.15	17.5	12.5	6.5	15.0	0.8	CL21154-2J60****	500
0.0027	10.2	8.0	4.0	7.5	0.6	CL21272-2J30****	1000	0.18	17.5	14.0	7.0	15.0	0.8	CL21184-2J60****	500
0.0033	10.2	8.0	4.0	7.5	0.6	CL21332-2J30****	1000	0.22	17.5	15.0	7.5	15.0	0.8	CL21224-2J60****	500
0.0039	10.2	8.0	4.0	7.5	0.6	CL21392-2J30****	1000	0.27	17.5	15.5	8.5	15.0	0.8	CL21274-2J60****	500
0.0047	10.2	8.0	4.0	7.5	0.6	CL21472-2J30****	1000	0.33	17.5	16.5	9.5	15.0	0.8	CL21334-2J60****	500
0.0056	10.2	8.0	4.0	7.5	0.6	CL21562-2J30****	1000	0.15	25.5	12.0	5.0	22.5	0.8	CL21154-2J90****	500
0.0068	10.2	8.0	4.0	7.5	0.6	CL21682-2J30****	1000	0.18	25.5	12.5	5.5	22.5	0.8	CL21184-2J90****	500
0.0082	10.2	8.0	4.0	7.5	0.6	CL21822-2J30****	1000	0.22	25.5	13.0	6.0	22.5	0.8	CL21224-2J90****	500
0.01	10.2	8.0	4.0	7.5	0.6	CL21103-2J30****	1000	0.27	25.5	13.5	6.5	22.5	0.8	CL21274-2J90****	500
0.012	10.2	8.0	4.0	7.5	0.6	CL21123-2J30****	1000	0.33	25.5	14.5	7.0	22.5	0.8	CL21334-2J90****	500
0.015	10.2	8.0	4.0	7.5	0.6	CL21153-2J30****	1000	0.39	25.5	16.0	7.0	22.5	0.8	CL21394-2J90****	500
0.018	10.2	8.5	4.0	7.5	0.6	CL21183-2J30****	1000	0.47	25.5	17.0	8.0	22.5	0.8	CL21474-2J90****	500
0.022	10.2	8.5	4.5	7.5	0.6	CL21223-2J30****	1000	0.56	25.5	17.5	9.0	22.5	0.8	CL21564-2J90****	500
0.027	10.2	9.0	5.0	7.5	0.6	CL21273-2J30****	1000	0.68	25.5	18.5	10.0	22.5	0.8	CL21684-2J90****	500
0.033	10.2	9.5	5.5	7.5	0.6	CL21333-2J30****	1000	0.82	25.5	19.5	11.0	22.5	0.8	CL21824-2J90****	200
0.015	12.5	8.0	4.0	10.0	0.6	CL21153-2J40****	500	1	25.5	21.0	12.0	22.5	0.8	CL21105-2J90****	200
0.018	12.5	8.0	4.0	10.0	0.6	CL21183-2J40****	500	1.2	25.5	22.5	13.5	22.5	0.8	CL21125-2J90****	200
0.022	12.5	8.0	4.0	10.0	0.6	CL21223-2J40****	500	1.5	25.5	24.0	15.5	22.5	0.8	CL21155-2J90****	200

备注:

“-”: 客户要求的容量偏差  
 “\*\*\*\*”: 引线加工和包装代码 (见 15 页表 4)  
 MOQ: 最小订单量

“-”=custom's capacitor tolerance code, J=±5%, K=±10%, M=±20%  
 “\*\*\*\*”= Lead form and packing code (refer to table 4 in page 15)  
 MOQ = Minimum order quantity