



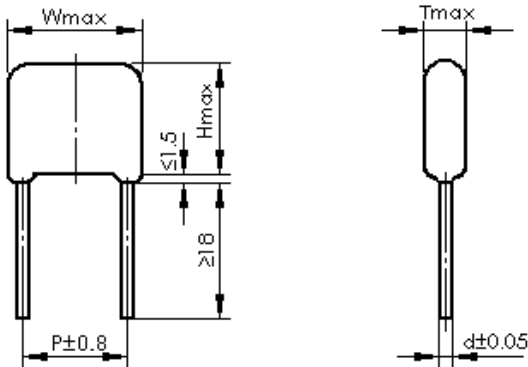
CDH

中星 CDH series

CDH 型点火电容器（浸渍型）

Ignition Capacitor (Dipped)

◆ 外形尺寸图及产品结构 Outline Drawing and Capacitor Construction



◆ 特点及用途 Application and Feature

金属化聚酯膜，无感卷绕结构，具有耐压高、承受充放电能力强、体积小等特点，适用于摩托车、灶具等点火电容。

Metallized polyester film, non-inductive wound construction, high-pressure tolerance, high charging and discharging capacity and low-profile. Suitable for the ignition circuits for motorcycle, cooker, etc.

◆ 技术要求 Specifications

参照标准 Reference Standard	GB 7332、IEC 60384-2
气候类别 Climatic Category	55/085/21
工作温度范围 Operation Temperature Range	-55℃~85℃
额定温度 Rated Temperature	85℃
额定电压 Rated Voltage	400Vdc
电容量范围 Capacitance Range	0.47μF~2.2μF
电容量偏差 Capacitance Tolerance	±5%(J)、±10%(K)、±20%(M)(20℃, 1kHz)
耐电压 Voltage Proof	U=1.5UR, 5s(20℃)
绝缘电阻 Insulation Resistance	CR ≤ 0.33 uF, IR ≥ 7 500MΩ CR > 0.33 uF, IR × C ≥ 2 500 s (20℃, 100V, 1min)
损耗角正切 Dissipation Factor	≤ 0.0080 (1kHz, 20℃)
说明：电容器的工作电压随温度和频率上升而下降，在使用电容器时应充分考虑。 Note: The working voltage of the capacitor decreases as the temperature and the frequency rises. Close attention should be paid to the use of the capacitor.	

◆ 产品尺寸：Special Product Dimension:

400Vdc															
C (μF)	W	H	T	P	d	产品代码 Part number	MOQ	C (μF)	W	H	T	P	d	产品代码 Part number	MOQ
0.47	17.5	14.0	5.0	15.0	0.8	CDHX474-2G60****	500	1.2	22.5	15.0	7.5	20.0	0.8	CDHX185-2G80****	500
0.56	17.5	14.0	6.0	15.0	0.8	CDHX564-2G60****	500	1.5	22.5	15.5	8.5	20.0	0.8	CDHX225-2G80****	500
0.68	17.5	14.0	7.0	15.0	0.8	CDHX684-2G60****	500	1.0	27.7	13.5	6.0	25.0	0.8	CDHX105-2GA0****	500
0.82	17.5	14.5	7.5	15.0	0.8	CDHX824-2G60****	500	1.2	27.7	14.0	6.5	25.0	0.8	CDHX125-2GA0****	500
1.0	17.5	15.5	8.0	15.0	0.8	CDHX105-2G60****	500	1.5	27.7	14.0	7.5	25.0	0.8	CDHX155-2GA0****	500
0.68	22.5	12.5	5.5	20.0	0.8	CDHX105-2G80****	500	1.8	27.7	15.5	8.0	25.0	0.8	CDHX185-2GA0****	500
0.82	22.5	13.5	6.0	20.0	0.8	CDHX125-2G80****	500	2.2	27.7	16.0	9.0	25.0	0.8	CDHX225-2GA0****	500
1.0	22.5	13.5	7.0	20.0	0.8	CDHX155-2G80****	500								

备注：

“-”：客户要求的容量偏差

“****”：引线加工和包装代码（见 15 页表 4）

MOQ：最小订单量

“-”=custom's capacitor tolerance code, J=±5%, K=±10%, M=±20%

“****”= Lead form and packing code (refer to table 4 in page 15)

MOQ = Minimum order quantity