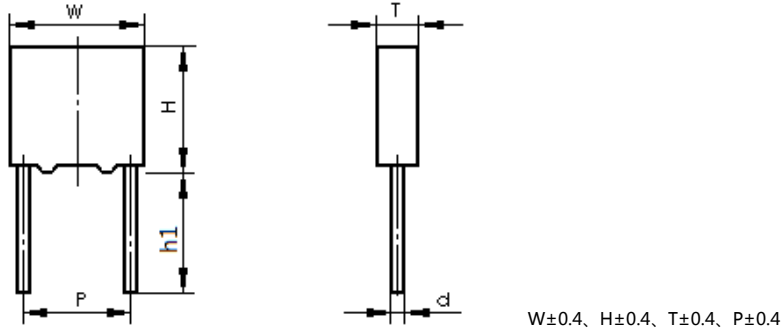


CBB84 型盒式双面金属化聚丙烯薄膜电容器

Double Sided Metallized Polypropylene Film Capacitor (Box-Type)

◆ 外形尺寸图及产品结构 Outline Drawing and Capacitor Construction



◆ 特点及用途 Application and Feature

双面金属化聚丙烯膜、损耗小、内部温升小，适用于高压、高频、脉冲和谐振电路。

Double sided metallized polypropylene, low loss, small inherent temperature rise, Suitable for the high voltage, high frequency, pulse and resonance circuits.

◆ 技术要求 Specifications

参照标准 Reference Standard	GB/T 10190、IEC 60384-16
气候类别 Climatic Category	40/105/56
工作温度范围 Operation Temperature Range	-40℃~110℃ +75℃~+110℃: decreasing factor 1.35% per °C for U_R (ac) +85℃~+110℃: decreasing factor 1.25% per °C for U_R (dc)
额定温度 Rated Temperature	85℃ for U_R (dc), 75℃ for U_R (ac)
额定电压 Rated Voltage	250Vdc/180Vac、400Vdc/250Vac、630Vdc/400Vac、 (1000Vdc/1250Vdc)/600Vac、1600Vdc/650Vac、2000Vdc/700Vac
电容量范围 Capacitance Range	0.00047μF~3.3μF
电容量偏差 Capacitance Tolerance	±5%(J)、±10%(K)、±20%(M) (20℃, 1kHz)
耐电压 Voltage Proof	$U=1.6U_R$ (20℃, 5s)
绝缘电阻 Insulation Resistance	$C_R \leq 0.33\mu F, IR \geq 100\ 000M\Omega$ $C_R > 0.33\mu F, IR \times C \geq 30\ 000s$ (20℃, 100Vdc, 1min)
损耗角正切 Dissipation Factor	≤ 0.0010 (1kHz, 20℃)
<p>说明：电容器的工作电压随温度上升而下降，在 85~110℃之间，以 85℃为基准，环境温度每上升 1℃，电容器的额定直流工作电压应降低 1.25%，额定交流工作电压应降低 1.35%</p> <p>Note: The working voltage of the capacitor decreases as the temperature rises. between 85~110℃, take 85℃ as the base, the temperature rises 1℃, the rated working (dc) voltage of the capacitor decreases 1.25%, the rated working (ac) voltage of the capacitor decreases 1.35%</p>	



CBB84

CBB84 series

◆ 产品尺寸: **Product Dimension:**

250Vdc(180Vac)								400Vdc(250Vac)							
C (μ F)	W	H	T	P	d	产品代码 Part number	MOQ	C (μ F)	W	H	T	P	d	产品代码 Part number	MOQ
0.047	18.0	11.0	5.0	15.0	0.8	CB84473-2E60****	500	0.033	18.0	11.0	5.0	15.0	0.8	CB84333-2G60****	500
0.056	18.0	11.0	5.0	15.0	0.8	CB84563-2E60****	500	0.039	18.0	11.0	5.0	15.0	0.8	CB84393-2G60****	500
0.068	18.0	11.0	5.0	15.0	0.8	CB84683-2E60****	500	0.047	18.0	11.0	5.0	15.0	0.8	CB84473-2G60****	500
0.082	18.0	11.0	5.0	15.0	0.8	CB84823-2E60****	500	0.056	18.0	11.0	5.0	15.0	0.8	CB84563-2G60****	500
0.10	18.0	12.0	6.0	15.0	0.8	CB84104-2E60****	500	0.068	18.0	11.0	5.0	15.0	0.8	CB84683-2G60****	500
0.12	18.0	12.0	6.0	15.0	0.8	CB84124-2E60****	500	0.082	18.0	12.0	6.0	15.0	0.8	CB84823-2G60****	500
0.15	18.0	13.5	7.5	15.0	0.8	CB84154-2E60****	500	0.10	18.0	12.0	6.0	15.0	0.8	CB84104-2G60****	500
0.18	18.0	13.5	7.5	15.0	0.8	CB84184-2E60****	500	0.12	18.0	13.5	7.5	15.0	0.8	CB84124-2G60****	500
0.22	18.0	13.5	7.5	15.0	0.8	CB84224-2E60****	500	0.15	18.0	13.5	7.5	15.0	0.8	CB84154-2G60****	500
0.27	18.0	14.5	8.5	15.0	0.8	CB84274-2E60****	500	0.18	18.0	14.5	8.5	15.0	0.8	CB84184-2G60****	500
0.33	18.0	16.0	10.0	15.0	0.8	CB84334-2E60****	500	0.22	18.0	16.0	10.0	15.0	0.8	CB84224-2G60****	500
0.39	18.0	16.0	10.0	15.0	0.8	CB84394-2E60****	500	0.27	18.0	16.0	10.0	15.0	0.8	CB84274-2G60****	500
0.47	18.0	19.0	11.0	15.0	0.8	CB84474-2E61****	200	0.33	18.0	19.0	11.0	15.0	0.8	CB84334-2G60****	200
0.10	26.5	15.0	6.0	22.5	0.8	CB84104-2E90****	500	0.10	26.5	15.0	6.0	22.5	0.8	CB84104-2G90****	500
0.12	26.5	15.0	6.0	22.5	0.8	CB84124-2E90****	500	0.12	26.5	15.0	6.0	22.5	0.8	CB84124-2G90****	500
0.15	26.5	15.0	6.0	22.5	0.8	CB84154-2E90****	500	0.15	26.5	15.0	6.0	22.5	0.8	CB84154-2G90****	500
0.18	26.5	15.0	6.0	22.5	0.8	CB84184-2E90****	500	0.18	26.5	15.0	6.0	22.5	0.8	CB84184-2G90****	500
0.22	26.5	15.0	6.0	22.5	0.8	CB84224-2E90****	500	0.22	26.5	16.0	7.0	22.5	0.8	CB84224-2G90****	500
0.27	26.5	15.0	6.0	22.5	0.8	CB84274-2E90****	500	0.27	26.5	17.0	8.5	22.5	0.8	CB84274-2G90****	500
0.33	26.5	16.0	7.0	22.5	0.8	CB84334-2E90****	500	0.33	26.5	17.0	8.5	22.5	0.8	CB84334-2G90****	500
0.39	26.5	16.0	7.0	22.5	0.8	CB84394-2E90****	500	0.39	26.5	17.0	8.5	22.5	0.8	CB84394-2G90****	500
0.47	26.5	17.0	8.5	22.5	0.8	CB84474-2E90****	500	0.47	26.5	18.5	10.0	22.5	0.8	CB84474-2G90****	200
0.56	26.5	18.5	10.0	22.5	0.8	CB84564-2E90****	200	0.56	26.5	20.0	11.0	22.5	0.8	CB84564-2G90****	200
0.68	26.5	18.5	10.0	22.5	0.8	CB84684-2E90****	200	0.68	26.5	22.0	12.0	22.5	0.8	CB84684-2G90****	200
0.82	26.5	20.0	11.0	22.5	0.8	CB84824-2E90****	200	0.39	32.0	18.0	9.0	27.5	0.8	CB84394-2GB0****	500
1.0	26.5	22.0	12.0	22.5	0.8	CB84105-2E90****	200	0.47	32.0	18.0	9.0	27.5	0.8	CB84474-2GB0****	500
0.68	32.0	18.0	9.0	27.5	0.8	CB84684-2EB0****	500	0.56	32.0	20.0	11.0	27.5	0.8	CB84564-2GB0****	200
0.82	32.0	18.0	9.0	27.5	0.8	CB84824-2EB0****	500	0.68	32.0	20.0	11.0	27.5	0.8	CB84684-2GB0****	200
1.0	32.0	20.0	11.0	27.5	0.8	CB84105-2EB0****	200	0.82	32.0	22.0	13.0	27.5	0.8	CB84824-2GB0****	100
1.2	32.0	20.0	11.0	27.5	0.8	CB84125-2EB0****	200	1.0	32.0	22.0	13.0	27.5	0.8	CB84105-2GB0****	100
1.5	32.0	22.0	13.0	27.5	0.8	CB84155-2EB0****	100	1.2	32.0	24.5	15.0	27.5	0.8	CB84125-2GB0****	100
1.8	32.0	25.0	14.0	27.5	0.8	CB84185-2EB0****	100	1.5	32.0	24.5	15.0	27.5	0.8	CB84155-2GB0****	100
2.2	32.0	28.0	14.0	27.5	0.8	CB84225-2EB0****	100	1.8	32.0	33.0	18.0	27.5	0.8	CB84185-2GB0****	50
2.7	32.0	33.0	18.0	27.5	0.8	CB84275-2EB0****	50								
3.3	32.0	33.0	18.0	27.5	0.8	CB84335-2EB0****	50								

备注:

“-”: 客户要求的容量偏差

“****”: 引线加工和包装代码 (见 15 页表 4)

MOQ: 最小订单量

“-”=custom's capacitor tolerance code, J=±5%, K=±10%, M=±20%

“****”= Lead form and packing code (refer to table 4 in page 15)

MOQ = Minimum order quantity

◆ 产品尺寸: Product Dimension:

630Vdc(400Vac)															
C (μ F)	W	H	T	P	d	产品代码 Part number	MOQ	C (μ F)	W	H	T	P	d	产品代码 Part number	MOQ
0.0010	10.5	9.0	4.0	7.5	0.6	CB84102-2J30****	1000	0.033	18.0	12.0	6.0	15.0	0.8	CB84333-2J60****	500
0.0012	10.5	9.0	4.0	7.5	0.6	CB84122-2J30****	1000	0.039	18.0	12.0	6.0	15.0	0.8	CB84393-2J60****	500
0.0015	10.5	9.0	4.0	7.5	0.6	CB84152-2J30****	1000	0.047	18.0	13.5	7.5	15.0	0.8	CB84473-2J60****	500
0.0018	10.5	9.0	4.0	7.5	0.6	CB84182-2J30****	1000	0.056	18.0	13.5	7.5	15.0	0.8	CB84563-2J60****	500
0.0022	10.5	9.0	4.0	7.5	0.6	CB84222-2J30****	1000	0.068	18.0	14.5	8.5	15.0	0.8	CB84683-2J60****	500
0.0027	10.5	9.0	4.0	7.5	0.6	CB84272-2J30****	1000	0.082	18.0	16.0	10.0	15.0	0.8	CB84823-2J60****	500
0.0033	10.5	9.0	4.0	7.5	0.6	CB84332-2J30****	1000	0.10	18.0	16.0	10.0	15.0	0.8	CB84104-2J60****	500
0.0039	10.5	9.0	4.0	7.5	0.6	CB84392-2J30****	1000	0.12	18.0	19.0	11.0	15.0	0.8	CB84124-2J60****	200
0.0047	10.5	9.0	4.0	7.5	0.6	CB84472-2J30****	1000	0.039	26.5	15.0	6.0	22.5	0.8	CB84393-2J90****	500
0.0068	10.5	11.0	5.0	7.5	0.6	CB84682-2J30****	1000	0.047	26.5	15.0	6.0	22.5	0.8	CB84473-2J90****	500
0.0082	10.5	11.0	5.0	7.5	0.6	CB84822-2J30****	1000	0.056	26.5	15.0	6.0	22.5	0.8	CB84563-2J90****	500
0.010	10.5	12.0	6.0	7.5	0.6	CB84103-2J30****	1000	0.068	26.5	15.0	6.0	22.5	0.8	CB84683-2J90****	500
0.012	10.5	12.0	6.0	7.5	0.6	CB84123-2J30****	1000	0.082	26.5	15.0	6.0	22.5	0.8	CB84823-2J90****	500
0.0022	13.0	9.0	4.0	10.0	0.6	CB84222-2J40****	500	0.10	26.5	16.0	7.0	22.5	0.8	CB84104-2J90****	500
0.0027	13.0	9.0	4.0	10.0	0.6	CB84272-2J40****	500	0.12	26.5	16.0	7.0	22.5	0.8	CB84124-2J90****	500
0.0033	13.0	9.0	4.0	10.0	0.6	CB84332-2J40****	500	0.15	26.5	17.0	8.5	22.5	0.8	CB84154-2J90****	500
0.0039	13.0	9.0	4.0	10.0	0.6	CB84392-2J40****	500	0.18	26.5	17.0	8.5	22.5	0.8	CB84184-2J90****	500
0.0047	13.0	9.0	4.0	10.0	0.6	CB84472-2J40****	500	0.22	26.5	18.5	10.0	22.5	0.8	CB84224-2J90****	200
0.0056	13.0	9.0	4.0	10.0	0.6	CB84562-2J40****	500	0.27	26.5	20.0	11.0	22.5	0.8	CB84274-2J90****	200
0.0068	13.0	9.0	4.0	10.0	0.6	CB84682-2J40****	500	0.33	26.5	22.0	12.0	22.5	0.8	CB84334-2J90****	200
0.0082	13.0	9.0	4.0	10.0	0.6	CB84822-2J40****	500	0.15	32.0	18.0	9.0	27.5	0.8	CB84154-2JB0****	500
0.010	13.0	11.0	5.0	10.0	0.6	CB84103-2J40****	500	0.18	32.0	18.0	9.0	27.5	0.8	CB84184-2JB0****	500
0.012	13.0	11.0	5.0	10.0	0.6	CB84123-2J40****	500	0.22	32.0	18.0	9.0	27.5	0.8	CB84224-2JB0****	500
0.015	13.0	12.0	6.0	10.0	0.6	CB84153-2J40****	500	0.27	32.0	20.0	11.0	27.5	0.8	CB84274-2JB0****	200
0.018	13.0	12.0	6.0	10.0	0.6	CB84183-2J40****	500	0.33	32.0	20.0	11.0	27.5	0.8	CB84334-2JB0****	200
0.010	18.0	11.0	5.0	15.0	0.8	CB84103-2J60****	500	0.39	32.0	20.0	11.0	27.5	0.8	CB84394-2JB0****	200
0.012	18.0	11.0	5.0	15.0	0.8	CB84123-2J60****	500	0.47	32.0	22.0	13.0	27.5	0.8	CB84474-2JB0****	100
0.015	18.0	11.0	5.0	15.0	0.8	CB84153-2J60****	500	0.56	32.0	24.5	15.0	27.5	0.8	CB84564-2JB0****	100
0.018	18.0	11.0	5.0	15.0	0.8	CB84183-2J60****	500	0.68	32.0	28.0	14.0	27.5	0.8	CB84684-2JB0****	100
0.022	18.0	11.0	5.0	15.0	0.8	CB84223-2J60****	500	0.82	32.0	33.0	18.0	27.5	0.8	CB84824-2JB0****	50
0.027	18.0	11.0	5.0	15.0	0.8	CB84273-2J60****	500	1.0	32.0	33.0	18.0	27.5	0.8	CB84105-2JB0****	50

备注:

“-”: 客户要求的容量偏差

“****”: 引线加工和包装代码 (见 15 页表 4)

MOQ: 最小订单量

“-”=custom's capacitor tolerance code, J=±5%, K=±10%, M=±20%

“****”= Lead form and packing code (refer to table 4 in page 15)

MOQ = Minimum order quantity



CBB84

CBB84 series

◆ 产品尺寸: Product Dimension:

1000Vdc/1250Vdc [▲] (600Vac)															
C (μF)	W	H	T	P	d	产品代码 Part number	MOQ	C (μF)	W	H	T	P	d	产品代码 Part number	MOQ
0.0010	10.5	9.0	4.0	7.5	0.6	CB84102-3A30****	1000	0.027	18.0	13.5	7.5	15.0	0.8	CB84273-3A60****	500
0.0012	10.5	9.0	4.0	7.5	0.6	CB84122-3A30****	1000	0.033	18.0	14.5	8.5	15.0	0.8	CB84333-3A60****	500
0.0015	10.5	11.0	5.0	7.5	0.6	CB84152-3A30****	1000	0.039	18.0	16.0	10.0	15.0	0.8	CB84393-3A60****	500
0.0018	10.5	11.0	5.0	7.5	0.6	CB84182-3A30****	1000	0.047	18.0	16.0	10.0	15.0	0.8	CB84473-3A60****	500
0.0022	10.5	11.0	5.0	7.5	0.6	CB84222-3A30****	1000	0.056	18.0	19.0	11.0	15.0	0.8	CB84563-3A60****	200
0.0027	10.5	12.0	6.0	7.5	0.6	CB84272-3A30****	1000	0.022	26.5	15.0	6.0	22.5	0.8	CB84223-3A90****	500
0.0033	10.5	12.0	6.0	7.5	0.6	CB84332-3A30****	1000	0.027	26.5	15.0	6.0	22.5	0.8	CB84273-3A90****	500
0.0039	10.5	12.0	6.0	7.5	0.6	CB84392-3A30****	1000	0.033	26.5	15.0	6.0	22.5	0.8	CB84333-3A90****	500
0.0010	13.0	9.0	4.0	10.0	0.6	CB84102-3A40****	500	0.039	26.5	15.0	6.0	22.5	0.8	CB84393-3A90****	500
0.0012	13.0	9.0	4.0	10.0	0.6	CB84122-3A40****	500	0.047	26.5	16.0	7.0	22.5	0.8	CB84473-3A90****	500
0.0015	13.0	9.0	4.0	10.0	0.6	CB84152-3A40****	500	0.056	26.5	16.0	7.0	22.5	0.8	CB84563-3A90****	500
0.0018	13.0	9.0	4.0	10.0	0.6	CB84182-3A40****	500	0.068	26.5	17.0	8.5	22.5	0.8	CB84683-3A90****	500
0.0022	13.0	9.0	4.0	10.0	0.6	CB84222-3A40****	500	0.082	26.5	17.0	8.5	22.5	0.8	CB84823-3A90****	200
0.0027	13.0	9.0	4.0	10.0	0.6	CB84272-3A40****	500	0.10	26.5	18.5	10.0	22.5	0.8	CB84104-3A90****	200
0.0033	13.0	9.0	4.0	10.0	0.6	CB84332-3A40****	500	0.12	26.5	20.0	11.0	22.5	0.8	CB84124-3A90****	200
0.0039	13.0	11.0	5.0	10.0	0.6	CB84392-3A40****	500	0.15	26.5	22.0	12.0	22.5	0.8	CB84154-3A90****	200
0.0047	13.0	11.0	5.0	10.0	0.6	CB84472-3A40****	500	0.10	32.0	18.0	9.0	27.5	0.8	CB84104-3AB0****	500
0.0056	13.0	12.0	6.0	10.0	0.6	CB84562-3A40****	500	0.12	32.0	20.0	11.0	27.5	0.8	CB84124-3AB0****	200
0.0068	13.0	12.0	6.0	10.0	0.6	CB84682-3A40****	500	0.15	32.0	20.0	11.0	27.5	0.8	CB84154-3AB0****	200
0.0082	18.0	11.0	5.0	15.0	0.8	CB84822-3A60****	500	0.18	32.0	22.0	13.0	27.5	0.8	CB84184-3AB0****	100
0.010	18.0	11.0	5.0	15.0	0.8	CB84103-3A60****	500	0.22	32.0	22.0	13.0	27.5	0.8	CB84224-3AB0****	100
0.012	18.0	11.0	5.0	15.0	0.8	CB84123-3A60****	500	0.27	32.0	24.5	15.0	27.5	0.8	CB84274-3AB0****	100
0.015	18.0	11.0	5.0	15.0	0.8	CB84153-3A60****	500	0.33	32.0	28.0	14.0	27.5	0.8	CB84334-3AB0****	100
0.018	18.0	12.0	6.0	15.0	0.8	CB84183-3A60****	500	0.39	32.0	28.0	17.0	27.5	0.8	CB84394-3AB0****	50
0.022	18.0	13.5	7.5	15.0	0.8	CB84223-3A60****	500	0.47	32.0	33.0	18.0	27.5	0.8	CB84474-3AB0****	50

备注:

“-”: 客户要求的容量偏差

“****”: 引线加工和包装代码 (见 15 页表 4)

“▲”: 当额定电压为 1250Vdc 时, 第 9~10 位为 3B

MOQ: 最小订单量

“-”=custom's capacitor tolerance code, J=±5%, K=±10%, M=±20%

“****”= Lead form and packing code (refer to table 4 in page 15)

“▲”=when the rated voltage is 1250Vdc, the digit 9~10 is 3B

MOQ = Minimum order quantity

◆ 产品尺寸: **Product Dimension:**

1600Vdc(650Vac)															
C (μ F)	W	H	T	P	d	产品代码 Part number	MOQ	C (μ F)	W	H	T	P	d	产品代码 Part number	MOQ
0.0010	18.0	11.0	5.0	15.0	0.8	CB84102-3C60****	500	0.018	26.5	15.0	6.0	22.5	0.8	CB84183-3C90****	500
0.0012	18.0	11.0	5.0	15.0	0.8	CB84122-3C60****	500	0.022	26.5	15.0	6.0	22.5	0.8	CB84223-3C90****	500
0.0015	18.0	11.0	5.0	15.0	0.8	CB84152-3C60****	500	0.027	26.5	16.0	7.0	22.5	0.8	CB84273-3C90****	500
0.0018	18.0	11.0	5.0	15.0	0.8	CB84182-3C60****	500	0.033	26.5	16.0	7.0	22.5	0.8	CB84333-3C90****	500
0.0022	18.0	11.0	5.0	15.0	0.8	CB84222-3C60****	500	0.039	26.5	17.0	8.5	22.5	0.8	CB84393-3C90****	500
0.0027	18.0	11.0	5.0	15.0	0.8	CB84272-3C60****	500	0.047	26.5	18.5	10.0	22.5	0.8	CB84473-3C90****	200
0.0033	18.0	11.0	5.0	15.0	0.8	CB84332-3C60****	500	0.056	26.5	18.5	10.0	22.5	0.8	CB84563-3C90****	200
0.0039	18.0	11.0	5.0	15.0	0.8	CB84392-3C60****	500	0.068	26.5	20.0	11.0	22.5	0.8	CB84683-3C90****	200
0.0047	18.0	11.0	5.0	15.0	0.8	CB84472-3C60****	500	0.082	26.5	22.0	12.0	22.5	0.8	CB84823-3C90****	200
0.0056	18.0	11.0	5.0	15.0	0.8	CB84562-3C60****	500	0.033	32.0	18.0	9.0	27.5	0.8	CB84333-3CB0****	500
0.0068	18.0	12.0	6.0	15.0	0.8	CB84682-3C60****	500	0.039	32.0	18.0	9.0	27.5	0.8	CB84393-3CB0****	500
0.0082	18.0	12.0	6.0	15.0	0.8	CB84822-3C60****	500	0.047	32.0	18.0	9.0	27.5	0.8	CB84473-3CB0****	500
0.010	18.0	12.0	6.0	15.0	0.8	CB84103-3C60****	500	0.056	32.0	18.0	9.0	27.5	0.8	CB84563-3CB0****	500
0.012	18.0	13.5	7.5	15.0	0.8	CB84123-3C60****	500	0.068	32.0	20.0	11.0	27.5	0.8	CB84683-3CB0****	200
0.015	18.0	14.5	8.5	15.0	0.8	CB84153-3C60****	500	0.082	32.0	20.0	11.0	27.5	0.8	CB84823-3CB0****	200
0.018	18.0	14.5	8.5	15.0	0.8	CB84183-3C60****	500	0.10	32.0	20.0	11.0	27.5	0.8	CB84104-3CB0****	200
0.022	18.0	14.5	8.5	15.0	0.8	CB84223-3C60****	500	0.12	32.0	22.0	13.0	27.5	0.8	CB84124-3CB0****	100
0.027	18.0	16.0	10.0	15.0	0.8	CB84273-3C60****	500	0.15	32.0	28.0	14.0	27.5	0.8	CB84154-3CB0****	100
0.033	18.0	19.0	11.0	15.0	0.8	CB84333-3C60****	200	0.18	32.0	28.0	14.0	27.5	0.8	CB84184-3CB0****	100
0.010	26.5	15.0	6.0	22.5	0.8	CB84103-3C90****	500	0.22	32.0	28.0	17.0	27.5	0.8	CB84224-3CB0****	50
0.012	26.5	15.0	6.0	22.5	0.8	CB84123-3C90****	500	0.27	32.0	33.0	18.0	27.5	0.8	CB84274-3CB0****	50
0.015	26.5	15.0	6.0	22.5	0.8	CB84153-3C90****	500	0.33	32.0	33.0	18.0	27.5	0.8	CB84334-3CB0****	50

备注:

“-”: 客户要求的容量偏差

“****”: 引线加工和包装代码 (见 15 页表 4)

MOQ: 最小订单量

“-”=custom's capacitor tolerance code, J=±5%, K=±10%, M=±20%

“****”= Lead form and packing code (refer to table 4 in page 15)

MOQ = Minimum order quantity



CBB84

CBB84 series

◆ 产品尺寸: Product Dimension:

2000Vdc(700Vac)															
C (μF)	W	H	T	P	d	产品代码 Part number	MOQ	C (μF)	W	H	T	P	d	产品代码 Part number	MOQ
0.0010	18.0	11.0	5.0	15.0	0.8	CB84102-3D60****	500	0.0082	26.5	15.0	6.0	22.5	0.8	CB84822-3D90****	500
0.0012	18.0	11.0	5.0	15.0	0.8	CB84122-3D60****	500	0.010	26.5	16.0	7.0	22.5	0.8	CB84103-3D90****	500
0.0015	18.0	11.0	5.0	15.0	0.8	CB84152-3D60****	500	0.012	26.5	16.0	7.0	22.5	0.8	CB84123-3D90****	500
0.0018	18.0	11.0	5.0	15.0	0.8	CB84182-3D60****	500	0.015	26.5	17.0	8.5	22.5	0.8	CB84153-3D90****	500
0.0022	18.0	12.0	6.0	15.0	0.8	CB84222-3D60****	500	0.018	26.5	18.5	10.0	22.5	0.8	CB84183-3D90****	200
0.0027	18.0	12.0	6.0	15.0	0.8	CB84272-3D60****	500	0.022	26.5	18.5	10.0	22.5	0.8	CB84223-3D90****	200
0.0033	18.0	13.5	7.5	15.0	0.8	CB84332-3D60****	500	0.027	26.5	20.0	11.0	22.5	0.8	CB84273-3D90****	200
0.0039	18.0	13.5	7.5	15.0	0.8	CB84392-3D60****	500	0.033	26.5	22.0	12.0	22.5	0.8	CB84333-3D90****	200
0.0047	18.0	13.5	7.5	15.0	0.8	CB84472-3D60****	500	0.015	32.0	18.0	9.0	27.5	0.8	CB84153-3DB0****	500
0.0056	18.0	14.5	8.5	15.0	0.8	CB84562-3D60****	500	0.018	32.0	18.0	9.0	27.5	0.8	CB84183-3DB0****	500
0.0068	18.0	14.5	8.5	15.0	0.8	CB84682-3D60****	500	0.022	32.0	18.0	9.0	27.5	0.8	CB84223-3DB0****	500
0.0082	18.0	16.0	10.0	15.0	0.8	CB84822-3D60****	500	0.027	32.0	20.0	11.0	27.5	0.8	CB84273-3DB0****	200
0.010	18.0	19.0	11.0	15.0	0.8	CB84103-3D60****	200	0.033	32.0	20.0	11.0	27.5	0.8	CB84333-3DB0****	200
0.012	18.0	19.0	11.0	15.0	0.8	CB84123-3D60****	200	0.039	32.0	22.0	13.0	27.5	0.8	CB84393-3DB0****	100
0.0033	26.5	15.0	6.0	22.5	0.8	CB84332-3D90****	500	0.047	32.0	22.0	13.0	27.5	0.8	CB84473-3DB0****	100
0.0039	26.5	15.0	6.0	22.5	0.8	CB84392-3D90****	500	0.056	32.0	24.5	15.0	27.5	0.8	CB84563-3DB0****	100
0.0047	26.5	15.0	6.0	22.5	0.8	CB84472-3D90****	500	0.068	32.0	28.0	14.0	27.5	0.8	CB84683-3DB0****	100
0.0056	26.5	15.0	6.0	22.5	0.8	CB84562-3D90****	500	0.082	32.0	28.0	17.0	27.5	0.8	CB84823-3DB0****	50
0.0068	26.5	15.0	6.0	22.5	0.8	CB84682-3D90****	500	0.10	32.0	33.0	18.0	27.5	0.8	CB84104-3DB0****	50

备注:

“-”: 客户要求的容量偏差

“-”=custom's capacitor tolerance code, J=±5%, K=±10%, M=±20%

“****”: 引线加工和包装代码 (见 15 页表 4)

“*****”= Lead form and packing code (refer to table 4 in page 15)

MOQ: 最小订单量

MOQ = Minimum order quantity

◆ 最大电压脉冲斜率: Max dv/dt (V/μs)

额定电压 (V)	dv/dt(V/μs)				
	P=7.5mm	P=10.0mm	P=15.0mm	P=22.5mm	P=27.5mm
250	1 200	1 000	600	300	200
400	1 800	1 500	900	500	300
630	3 200	3 200	2 500	1 500	900
1000	6 000	6 000	3 300	2 200	1 000
1600	/	/	6 500	3 000	2 000
2000	/	/	10 000	5 000	2 200