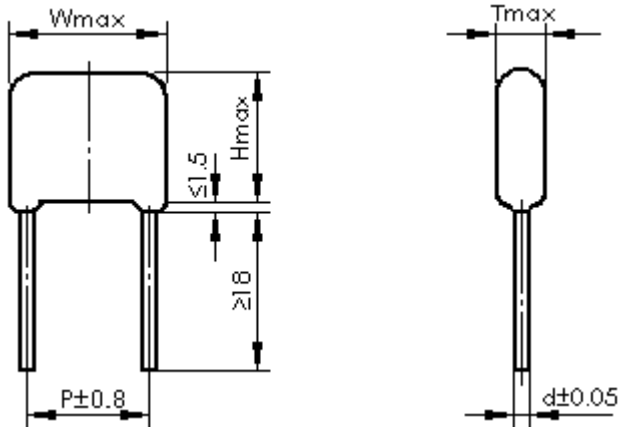


CBB82 型大电流箔式聚丙烯薄膜电容器（浸渍型） High-Current Foil Polypropylene Film Capacitor (Dipped)

◆ 外形尺寸图及产品结构 Outline Drawing and Capacitor Construction



◆ 特点及用途 Application and Feature

具有耐压高、损耗小、绝缘电阻高、承受电流大、高频特性优等特点，阻燃环氧粉末包封。适用于直流、脉冲和功率较小而要求较高的高频电路。

High-voltage tolerance, low-loss, high insulation resistance, heavy current and high-frequency. Suitable for the direct current, impulse and other high-frequency circuits with high requirements. Flame retardant epoxy resin powder coating.

◆ 技术要求 Specifications

参照标准 Reference Standard	GB/T 14579、IEC 60384-17
气候类别 Climatic Category	40/105/21
工作温度范围 Operation Temperature Range	-40℃~105℃
额定温度 Rated Temperature	85℃
额定电压 Rated Voltage	630Vdc、1000Vdc/1250Vdc、1600Vdc、2000Vdc
电容量范围 Capacitance Range	0.001μF~1.0μF
电容量偏差 Capacitance Tolerance	±5%(J)、±10%(K)、±20%(M) (20℃, 1kHz)
耐电压 Voltage Proof	U=1.75U _R (20℃, 5s)
绝缘电阻 Insulation Resistance	≥100 000 MΩ (20℃, 100Vdc, 1min)
损耗角正切 Dissipation Factor	≤0.0010 (1kHz, 20℃) ≤0.0020 (10kHz, 20℃)
说明：电容器的工作电压随温度上升而下降，在 85~105℃之间，以 85℃为基准，环境温度每上升 1℃，电容器的额定工作电压应降低 1.25%。 Note: The working voltage of the capacitor decreases as the temperature rises. between 85~105℃,take 85℃ as the base, the temperature rises 1℃,the rated working voltage of the capacitor decreases 1.25%.	

◆ 最大电压脉冲斜率：Max dv/dt (V/μs)

额定电压 (Vdc)	Max dv/dt (V/μs)	
	P=10.0	P=15.0
630	11 200	9 800
1000/1250	14 500	13 000
1600	/	15 800
2000	/	18 000



CBB82
CBB82 series

◆ 产品尺寸: Special Product Dimension:

630Vdc								1000Vdc [▲] /1250Vdc							
C (μF)	W	H	T	P	d	产品代码 Part number	MOQ	C (μF)	W	H	T	P	d	产品代码 Part number	MOQ
0.0010	13.0	9.5	4.5	10.0	0.6	CB82102-2J41****	500	0.0015	13.0	9.5	4.5	10.0	0.6	CB82152-3B41****	500
0.0015	13.0	9.5	4.5	10.0	0.6	CB82152-2J41****	500	0.0018	13.0	9.5	4.5	10.0	0.6	CB82182-3B41****	500
0.0022	13.0	9.5	4.5	10.0	0.6	CB82222-2J41****	500	0.0022	13.0	9.5	4.5	10.0	0.6	CB82222-3B41****	500
0.0033	13.0	9.5	4.5	10.0	0.6	CB82332-2J41****	500	0.0027	13.0	9.5	4.5	10.0	0.6	CB82272-3B41****	500
0.0047	13.0	10.0	4.5	10.0	0.6	CB82472-2J41****	500	0.0033	13.0	9.5	4.5	10.0	0.6	CB82332-3B41****	500
0.0056	13.0	10.0	4.5	10.0	0.6	CB82562-2J41****	500	0.0039	13.0	10.5	4.5	10.0	0.6	CB82392-3B41****	500
0.0068	13.0	10.5	5.0	10.0	0.6	CB82682-2J41****	500	0.0047	13.0	10.5	5.0	10.0	0.6	CB82472-3B41****	500
0.0082	13.0	11.0	5.0	10.0	0.6	CB82822-2J41****	500	0.0056	13.0	11.0	5.5	10.0	0.6	CB82562-3B41****	500
0.0100	13.0	11.5	6.0	10.0	0.6	CB82103-2J41****	500	0.0068	13.0	12.0	6.0	10.0	0.6	CB82682-3B41****	500
0.0010	18.0	10.5	5.0	15.0	0.6	CB82102-2J61****	500	0.0082	13.0	12.5	7.0	10.0	0.6	CB82822-3B41****	500
0.0015	18.0	10.5	5.0	15.0	0.6	CB82152-2J61****	500	0.010	13.0	13.0	7.5	10.0	0.6	CB82103-3B41****	500
0.0022	18.0	10.5	5.0	15.0	0.6	CB82222-2J61****	500	0.015	13.0	16.0	8.5	10.0	0.6	CB82153-3B41****	500
0.0033	18.0	10.5	5.0	15.0	0.6	CB82332-2J61****	500	0.0047	18.0	10.5	5.0	15.0	0.6	CB82472-3B61****	500
0.0047	18.0	10.0	4.5	15.0	0.6	CB82472-2J61****	500	0.0056	18.0	10.5	5.0	15.0	0.6	CB82562-3B61****	500
0.0056	18.0	10.5	5.0	15.0	0.6	CB82562-2J61****	500	0.0068	18.0	10.5	5.0	15.0	0.6	CB82682-3B61****	500
0.0068	18.0	10.0	4.5	15.0	0.6	CB82682-2J61****	500	0.0082	18.0	10.5	5.0	15.0	0.6	CB82822-3B61****	500
0.0082	18.0	10.5	5.0	15.0	0.6	CB82822-2J61****	500	0.010	18.0	11.0	5.0	15.0	0.6	CB82103-3B61****	500
0.010	18.0	11.0	5.0	15.0	0.6	CB82103-2J61****	500	0.012	18.0	11.5	5.5	15.0	0.6	CB82123-3B61****	500
0.015	18.0	10.5	5.0	15.0	0.6	CB82153-2J61****	500	0.015	18.0	12.0	6.0	15.0	0.8	CB82153-3B61****	500
0.022	18.0	11.5	6.0	15.0	0.8	CB82223-2J61****	500	0.018	18.0	13.5	6.5	15.0	0.8	CB82183-3B61****	500
0.033	18.0	14.0	6.5	15.0	0.8	CB82333-2J61****	500	0.022	18.0	14.0	7.0	15.0	0.8	CB82223-3B61****	500
0.047	18.0	15.5	8.0	15.0	0.8	CB82473-2J61****	500	0.027	18.0	15.0	8.0	15.0	0.8	CB82273-3B61****	500
0.056	18.0	16.0	9.0	15.0	0.8	CB82563-2J61****	500	0.033	18.0	16.0	9.0	15.0	0.8	CB82333-3B61****	500
0.068	18.0	17.0	10.0	15.0	0.8	CB82683-2J61****	500	0.039	18.0	17.0	9.5	15.0	0.8	CB82393-3B61****	500
0.082	18.0	18.0	11.0	15.0	0.8	CB82823-2J61****	500	0.047	18.0	18.0	10.5	15.0	0.8	CB82473-3B61****	500
0.10	18.0	20.5	11.5	15.0	0.8	CB82104-2J61****	500								

1600Vdc								2000Vdc							
C (μF)	W	H	T	P	d	产品代码 Part number	MOQ	C (μF)	W	H	T	P	d	产品代码 Part number	MOQ
0.0010	18.0	10.5	5.0	15.0	0.6	CB82102-3C61****	500	0.0010	18.0	10.5	5.0	15.0	0.6	CB82102-3D61****	500
0.0012	18.0	10.5	5.0	15.0	0.6	CB82122-3C61****	500	0.0012	18.0	10.5	5.0	15.0	0.6	CB82122-3D61****	500
0.0015	18.0	10.5	5.0	15.0	0.6	CB82152-3C61****	500	0.0015	18.0	10.5	5.0	15.0	0.6	CB82152-3D61****	500
0.0018	18.0	11.0	5.0	15.0	0.6	CB82182-3C61****	500	0.0018	18.0	11.0	5.0	15.0	0.6	CB82182-3D61****	500
0.0022	18.0	11.0	5.0	15.0	0.6	CB82222-3C61****	500	0.0022	18.0	11.5	6.0	15.0	0.8	CB82222-3D61****	500
0.0027	18.0	10.5	5.0	15.0	0.6	CB82272-3C61****	500	0.0027	18.0	12.0	6.5	15.0	0.8	CB82272-3D61****	500
0.0033	18.0	11.0	5.0	15.0	0.6	CB82332-3C61****	500	0.0033	18.0	13.5	6.5	15.0	0.8	CB82332-3D61****	500
0.0039	18.0	11.5	5.5	15.0	0.6	CB82392-3C61****	500	0.0039	18.0	14.0	7.0	15.0	0.8	CB82392-3D61****	500
0.0047	18.0	12.0	6.0	15.0	0.8	CB82472-3C61****	500	0.0047	18.0	15.0	7.5	15.0	0.8	CB82472-3D61****	500
0.0056	18.0	13.5	6.0	15.0	0.8	CB82562-3C61****	500	0.0056	18.0	15.5	8.5	15.0	0.8	CB82562-3D61****	500
0.0068	18.0	14.0	7.0	15.0	0.8	CB82682-3C61****	500	0.0068	18.0	16.5	9.0	15.0	0.8	CB82682-3D61****	500
0.0082	18.0	14.5	7.5	15.0	0.8	CB82822-3C61****	500	0.0082	18.0	17.5	10.0	15.0	0.8	CB82822-3D61****	500
0.010	18.0	15.5	8.5	15.0	0.8	CB82103-3C61****	500								
0.012	18.0	16.5	9.0	15.0	0.8	CB82123-3C61****	500								
0.015	18.0	17.5	10.5	15.0	0.8	CB82153-3C61****	500								

备注:

“-”: 客户要求的容量偏差

“****”: 引线加工和包装代码 (见 15 页表 4)

MOQ: 最小订单量

“-”=custom's capacitor tolerance code, J=±5%, K=±10%, M=±20%

“****”= Lead form and packing code (refer to table 4 in page 15)

MOQ = Minimum order quantity