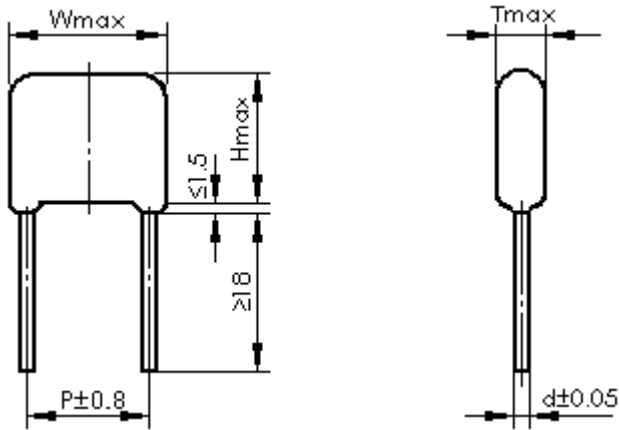


CBB81 型双面金属化聚丙烯薄膜电容器（浸渍型）

Double Sided Metallized Polypropylene Film Capacitor (Dipped)

◆ 外形尺寸图及产品结构 Outline Drawing and Capacitor Construction



◆ 特点及用途 Application and Feature

双面金属化聚丙烯膜、损耗小、内部温升小，适用于高压、高频、脉冲和谐振电路。

Double sided metallized polypropylene, low loss, small inherent temperature rise, Suitable for the high voltage, high frequency, pulse and resonance circuits.

◆ 技术要求 Specifications

参照标准 Reference Standard	GB/T 10190、IEC 60384-16
气候类别 Climatic Category	40/105/21
工作温度范围 Operation Temperature Range	-40℃~105℃ +75℃~+105℃: decreasing factor 1.35% per °C for U_R (ac) +85℃~+105℃: decreasing factor 1.25% per °C for U_R (dc)
额定温度 Rated Temperature	85℃ for U_R (dc), 75℃ for U_R (ac)
额定电压 Rated Voltage	630Vdc/400Vac、(1000Vdc/1250Vdc)/500Vac、1600Vdc/600Vac、2000Vdc/700Vac
电容量范围 Capacitance Range	0.001μF~0.33μF
电容量偏差 Capacitance Tolerance	±5%(J)、±10%(K)、±20%(M) (20℃, 1kHz)
耐电压 Voltage Proof	$U=1.6U_R$ (20℃, 5s)
绝缘电阻 Insulation Resistance	$C_R \leq 0.33\mu F$, $IR \geq 100\ 000M\Omega$ $C_R > 0.33\mu F$, $IR \times C \geq 30\ 000s$ (20℃, 100Vdc, 1min)
损耗角正切 Dissipation Factor	≤ 0.0010 (1kHz, 20℃)
<p>说明：电容器的工作电压随温度上升而下降，在 85~105℃之间，以 85℃为基准，环境温度每上升 1℃，电容器的额定工作电压应降低 1.25%，额定交流工作电压应降低 1.35%</p> <p>Note: The working voltage of the capacitor decreases as the temperature rises. between 85~105℃,take 85℃ as the base, the temperature rises 1℃,the rated working voltage of the capacitor decreases 1.25%, the rated working (ac) voltage of the capacitor decreases 1.35%.</p>	



CBB81

CBB81 series

◆ 产品尺寸: **Product Dimension:**

630Vdc(400Vac)																
C (μ F)	W	H	T	P	d	产品代码 Part number	MOQ	C (μ F)	W	H	T	P	d	产品代码 Part number	MOQ	
0.001	10.2	8.0	4.0	7.5	0.6	CB81102-2J30****	1000	0.012	17.5	11.0	5.0	15.0	0.6	CB81123-2J60****	500	
0.0012	10.2	8.0	4.0	7.5	0.6	CB81122-2J30****	1000	0.015	17.5	10.5	4.5	15.0	0.6	CB81153-2J60****	500	
0.0015	10.2	8.0	4.0	7.5	0.6	CB81152-2J30****	1000	0.018	17.5	10.5	5.0	15.0	0.6	CB81183-2J60****	500	
0.0018	10.2	8.5	4.5	7.5	0.6	CB81182-2J30****	1000	0.022	17.5	11.0	5.5	15.0	0.6	CB81223-2J60****	500	
0.0022	10.2	8.0	3.5	7.5	0.6	CB81222-2J30****	1000	0.027	17.5	11.5	6.0	15.0	0.6	CB81273-2J60****	500	
0.0027	10.2	8.0	4.0	7.5	0.6	CB81272-2J30****	1000	0.033	17.5	12.0	6.5	15.0	0.8	CB81333-2J60****	500	
0.0033	10.2	8.5	4.5	7.5	0.6	CB81332-2J30****	1000	0.039	17.5	13.5	6.5	15.0	0.8	CB81393-2J60****	500	
0.0039	10.2	9.0	5.0	7.5	0.6	CB81392-2J30****	1000	0.047	17.5	14.5	7.0	15.0	0.8	CB81473-2J60****	500	
0.0047	10.2	9.0	5.0	7.5	0.6	CB81472-2J30****	1000	0.056	17.5	15.0	7.5	15.0	0.8	CB81563-2J60****	500	
0.0056	10.2	9.5	5.5	7.5	0.6	CB81562-2J30****	1000	0.068	17.5	16.0	8.5	15.0	0.8	CB81683-2J60****	500	
0.0068	10.2	11.5	5.5	7.5	0.6	CB81682-2J30****	1000	0.082	17.5	16.5	9.5	15.0	0.8	CB81823-2J60****	500	
0.0082	10.2	12.0	6.0	7.5	0.6	CB81822-2J30****	1000	0.1	17.5	18.0	10.5	15.0	0.8	CB81104-2J60****	500	
0.01	10.2	12.5	7.0	7.5	0.6	CB81103-2J30****	1000	0.015	25.5	13.5	6.0	22.5	0.8	CB81153-2J90****	500	
0.0015	12.5	8.5	4.5	10.0	0.6	CB81152-2J40****	500	0.018	25.5	13.5	6.5	22.5	0.8	CB81183-2J90****	500	
0.0018	12.5	8.0	4.0	10.0	0.6	CB81182-2J40****	500	0.022	25.5	13.0	6.0	22.5	0.8	CB81223-2J90****	500	
0.0022	12.5	8.5	4.5	10.0	0.6	CB81222-2J40****	500	0.027	25.5	13.5	6.5	22.5	0.8	CB81273-2J90****	500	
0.0033	12.5	8.5	4.5	10.0	0.6	CB81332-2J40****	500	0.033	25.5	13.0	6.0	22.5	0.8	CB81333-2J90****	500	
0.0039	12.5	8.5	4.5	10.0	0.6	CB81392-2J40****	500	0.039	25.5	13.5	6.5	22.5	0.8	CB81393-2J90****	500	
0.0047	12.5	8.0	4.0	10.0	0.6	CB81472-2J40****	500	0.047	25.5	13.5	6.0	22.5	0.8	CB81473-2J90****	500	
0.0056	12.5	8.5	4.5	10.0	0.6	CB81562-2J40****	500	0.056	25.5	13.0	6.0	22.5	0.8	CB81563-2J90****	500	
0.0068	12.5	8.5	4.5	10.0	0.6	CB81682-2J40****	500	0.068	25.5	13.5	6.5	22.5	0.8	CB81683-2J90****	500	
0.0082	12.5	9.0	5.0	10.0	0.6	CB81822-2J40****	500	0.082	25.5	14.0	7.0	22.5	0.8	CB81823-2J90****	500	
0.01	12.5	10.5	5.0	10.0	0.6	CB81103-2J40****	500	0.1	25.5	15.0	7.5	22.5	0.8	CB81104-2J90****	500	
0.012	12.5	11.0	5.5	10.0	0.6	CB81123-2J40****	500	0.12	25.5	16.5	8.0	22.5	0.8	CB81124-2J90****	500	
0.015	12.5	11.5	6.0	10.0	0.6	CB81153-2J40****	500	0.15	25.5	18.0	9.0	22.5	0.8	CB81154-2J90****	500	
0.018	12.5	12.5	6.5	10.0	0.6	CB81183-2J40****	500	0.18	25.5	18.5	10.0	22.5	0.8	CB81184-2J90****	500	
0.022	12.5	13.5	7.5	10.0	0.6	CB81223-2J40****	500	0.22	25.5	20.0	11.0	22.5	0.8	CB81224-2J90****	200	
0.0047	17.5	10.5	5.0	15.0	0.6	CB81472-2J60****	500	0.27	25.5	21.0	12.5	22.5	0.8	CB81274-2J90****	200	
0.0056	17.5	11.0	5.5	15.0	0.6	CB81562-2J60****	500	0.33	25.5	22.5	14.5	22.5	0.8	CB81334-2J90****	200	
0.0068	17.5	10.5	5.0	15.0	0.6	CB81682-2J60****	500									
0.0082	17.5	11.0	5.5	15.0	0.6	CB81822-2J60****	500									
0.01	17.5	10.5	5.0	15.0	0.6	CB81103-2J60****	500									

备注:

“-”: 客户要求的容量偏差

“****”: 引线加工和包装代码 (见 15 页表 4)

MOQ: 最小订单量

“-”=custom's capacitor tolerance code, J=±5%, K=±10%, M=±20%

“****”= Lead form and packing code (refer to table 4 in page 15)

MOQ = Minimum order quantity

◆ 产品尺寸: Product Dimension:

1000Vdc [▲] /1250Vdc(500Vac)															
C (μ F)	W	H	T	P	d	产品代码 Part number	MOQ	C (μ F)	W	H	T	P	d	产品代码 Part number	MOQ
0.001	10.2	8.0	4.0	7.5	0.6	CB81102-3B30****	1000	0.015	17.5	11.5	5.5	15.0	0.6	CB81153-3B60****	500
0.0012	10.2	8.0	4.0	7.5	0.6	CB81122-3B30****	1000	0.018	17.5	12.0	6.0	15.0	0.6	CB81183-3B60****	500
0.0015	10.2	8.0	4.0	7.5	0.6	CB81152-3B30****	1000	0.022	17.5	13.5	6.5	15.0	0.6	CB81223-3B60****	500
0.0018	10.2	8.5	4.5	7.5	0.6	CB81182-3B30****	1000	0.027	17.5	14.0	7.0	15.0	0.8	CB81273-3B60****	500
0.0022	10.2	8.5	4.5	7.5	0.6	CB81222-3B30****	1000	0.033	17.5	15.0	7.5	15.0	0.8	CB81333-3B60****	500
0.0027	10.2	9.5	5.0	7.5	0.6	CB81272-3B30****	1000	0.039	17.5	15.5	8.5	15.0	0.8	CB81393-3B60****	500
0.0033	10.2	10.0	5.5	7.5	0.6	CB81332-3B30****	1000	0.047	17.5	16.5	9.5	15.0	0.8	CB81473-3B60****	500
0.0039	10.2	11.5	5.5	7.5	0.6	CB81392-3B30****	1000	0.056	17.5	17.5	10.0	15.0	0.8	CB81563-3B60****	500
0.0047	10.2	12.0	6.0	7.5	0.6	CB81472-3B30****	1000	0.015	25.5	13.5	6.0	22.5	0.8	CB81153-3B90****	500
0.0015	12.5	8.5	4.5	10.0	0.6	CB81152-3B40****	500	0.018	25.5	13.5	6.5	22.5	0.8	CB81183-3B90****	500
0.0018	12.5	8.0	4.0	10.0	0.6	CB81182-3B40****	500	0.022	25.5	13.0	6.0	22.5	0.8	CB81223-3B90****	500
0.0022	12.5	8.5	4.5	10.0	0.6	CB81222-3B40****	500	0.027	25.5	13.5	6.5	22.5	0.8	CB81273-3B90****	500
0.0033	12.5	8.5	4.5	10.0	0.6	CB81332-3B40****	500	0.033	25.5	13.0	6.0	22.5	0.8	CB81333-3B90****	500
0.0039	12.5	8.5	4.5	10.0	0.6	CB81392-3B40****	500	0.039	25.5	13.5	6.5	22.5	0.8	CB81393-3B90****	500
0.0047	12.5	9.0	5.0	10.0	0.6	CB81472-3B40****	500	0.047	25.5	14.0	7.0	22.5	0.8	CB81473-3B90****	500
0.0056	12.5	10.0	5.0	10.0	0.6	CB81562-3B40****	500	0.056	25.5	16.0	7.0	22.5	0.8	CB81563-3B90****	500
0.0068	12.5	11.0	5.5	10.0	0.6	CB81682-3B40****	500	0.068	25.5	16.5	8.0	22.5	0.8	CB81683-3B90****	500
0.0082	12.5	11.5	6.0	10.0	0.6	CB81822-3B40****	500	0.082	25.5	17.5	8.5	22.5	0.8	CB81823-3B90****	500
0.01	12.5	12.0	6.5	10.0	0.6	CB81103-3B40****	500	0.1	25.5	18.5	9.5	22.5	0.8	CB81104-3B90****	500
0.0047	17.5	10.5	5.0	15.0	0.6	CB81472-3B60****	500	0.12	25.5	19.5	10.5	22.5	0.8	CB81124-3B90****	200
0.0056	17.5	11.0	5.5	15.0	0.6	CB81562-3B60****	500	0.15	25.5	21.0	12.0	22.5	0.8	CB81154-3B90****	200
0.0068	17.5	10.5	5.0	15.0	0.6	CB81682-3B60****	500	0.18	25.5	22.0	13.5	22.5	0.8	CB81184-3B90****	200
0.0082	17.5	11.0	5.5	15.0	0.6	CB81822-3B60****	500	0.22	25.5	23.5	15.5	22.5	0.8	CB81224-3B90****	200
0.01	17.5	10.5	5.0	15.0	0.6	CB81103-3B60****	500								
0.012	17.5	11.0	5.0	15.0	0.6	CB81123-3B60****	500								

备注:

“-”: 客户要求的容量偏差

“****”: 引线加工和包装代码 (见 15 页表 4)

“▲”: 当额定电压为 1000Vdc 时, 第 9~10 位为 3A

MOQ: 最小订单量

“-”=custom's capacitor tolerance code, J=±5%, K=±10%, M=±20%

“****”= Lead form and packing code (refer to table 4 in page 15)

“▲”=when the rated voltage is 1000Vdc, the digit 9~10 is 3A

MOQ = Minimum order quantity



CBB81

CBB81 series

◆ 产品尺寸: Product Dimension:

1600Vdc(600Vac)								2000Vdc(700Vac)							
C (μ F)	W	H	T	P	d	产品代码 Part number	MOQ	C (μ F)	W	H	T	P	d	产品代码 Part number	MOQ
0.0033	17.5	10.5	5.0	15.0	0.6	CB81332-3C60****	500	0.0015	17.5	11.0	5.0	15.0	0.6	CB81152-3D60****	500
0.0039	17.5	10.5	5.0	15.0	0.6	CB81392-3C60****	500	0.0018	17.5	10.5	5.0	15.0	0.6	CB81182-3D60****	500
0.0047	17.5	10.5	5.0	15.0	0.6	CB81472-3C60****	500	0.0022	17.5	11.0	5.5	15.0	0.6	CB81222-3D60****	500
0.0056	17.5	10.5	5.0	15.0	0.6	CB81562-3C60****	500	0.0027	17.5	11.5	6.0	15.0	0.6	CB81272-3D60****	500
0.0068	17.5	11.0	5.5	15.0	0.6	CB81682-3C60****	500	0.0033	17.5	12.0	6.5	15.0	0.8	CB81332-3D60****	500
0.0082	17.5	11.5	5.5	15.0	0.6	CB81822-3C60****	500	0.0039	17.5	12.5	7.0	15.0	0.8	CB81392-3D60****	500
0.01	17.5	13.0	6.0	15.0	0.6	CB81103-3C60****	500	0.0047	17.5	14.0	7.0	15.0	0.8	CB81472-3D60****	500
0.012	17.5	14.0	6.5	15.0	0.8	CB81123-3C60****	500	0.0056	17.5	15.0	7.5	15.0	0.8	CB81562-3D60****	500
0.015	17.5	14.5	7.0	15.0	0.8	CB81153-3C60****	500	0.0068	17.5	15.5	8.5	15.0	0.8	CB81682-3D60****	500
0.018	17.5	15.0	7.5	15.0	0.8	CB81183-3C60****	500	0.0082	17.5	16.5	9.0	15.0	0.8	CB81822-3D60****	500
0.015	25.5	12.5	5.5	22.5	0.8	CB81153-3C90****	500	0.01	17.5	17.5	10.0	15.0	0.8	CB81103-3D60****	500
0.018	25.5	13.0	5.5	22.5	0.8	CB81183-3C90****	500	0.0047	25.5	13.5	6.5	22.5	0.8	CB81472-3D90****	500
0.022	25.5	14.5	5.5	22.5	0.8	CB81223-3C90****	500	0.0056	25.5	13.0	6.0	22.5	0.8	CB81562-3D90****	500
0.027	25.5	15.0	6.5	22.5	0.8	CB81273-3C90****	500	0.0068	25.5	13.0	6.0	22.5	0.8	CB81682-3D90****	500
0.033	25.5	16.0	7.0	22.5	0.8	CB81333-3C90****	500	0.0082	25.5	13.5	6.5	22.5	0.8	CB81822-3D90****	500
0.039	25.5	16.5	7.5	22.5	0.8	CB81393-3C90****	500	0.01	25.5	14.0	7.0	22.5	0.8	CB81103-3D90****	500
0.047	25.5	17.0	8.5	22.5	0.8	CB81473-3C90****	200	0.012	25.5	15.0	7.5	22.5	0.8	CB81123-3D90****	500
0.056	25.5	18.0	9.0	22.5	0.8	CB81563-3C90****	200	0.015	25.5	16.5	8.0	22.5	0.8	CB81153-3D90****	500
0.068	25.5	19.0	10.5	22.5	0.8	CB81683-3C90****	200	0.018	25.5	17.5	8.5	22.5	0.8	CB81183-3D90****	500
0.082	25.5	20.0	12.0	22.5	0.8	CB81823-3C90****	200	0.022	25.5	18.5	9.5	22.5	0.8	CB81223-3D90****	500
0.1	25.5	21.5	13.0	22.5	0.8	CB81104-3C90****	200	0.027	25.5	19.5	10.5	22.5	0.8	CB81273-3D90****	500
								0.033	25.5	20.5	12.0	22.5	0.8	CB81333-3D90****	200

备注:

“-”: 客户要求的容量偏差

“****”: 引线加工和包装代码 (见 15 页表 4)

MOQ: 最小订单量

“-”=custom's capacitor tolerance code, J=±5%, K=±10%, M=±20%

“****”= Lead form and packing code (refer to table 4 in page 15)

MOQ = Minimum order quantity

◆ 最大电压脉冲斜率: Max dv/dt (V/ μ s)

额定电压 (V)	dv/dt(V/ μ s)			
	P=7.5mm	P=10.0mm	P=15.0mm	P=22.5mm
630	3 200	3 200	2 500	1 500
1000/1250	6 000	6 000	3 300	2 200
1600	/	/	6 500	3 000
2000	/	/	10 000	7 000