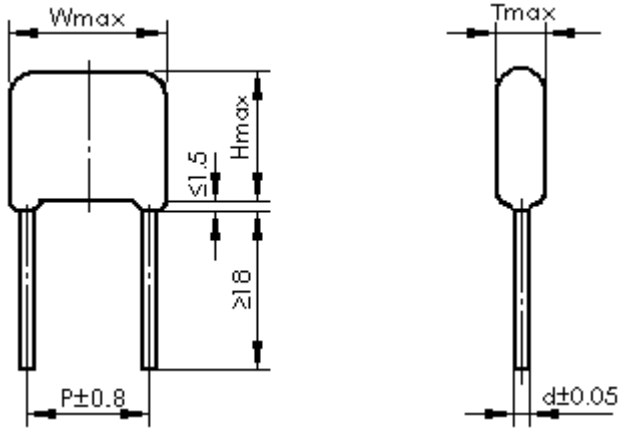


## CBB62 型金属化聚丙烯膜介质交流固定电容器（浸渍型）

### Metallized Polypropylene Film A.C. Capacitor（Dipped）

#### ◆ 外形尺寸图及产品结构 Outline Drawing and Capacitor Construction



#### ◆ 特点及用途 Application and Feature

金属化聚丙烯膜，无感卷绕结构，自愈性好，可靠性高，适用于损耗要求小、内部温升小的交流场合。

Metallized Polypropylene Film Capacitor, non-inductive wound construction, reliable quality due to self-healing effect. Suitable for AC purpose where low loss and small inherent temperature rise important.

#### ◆ 技术要求 Specifications

参照标准 Reference Standard	GB 14579、IEC 60384-17	
气候类别 Climatic Category	40/85/21	
工作温度范围 Operation Temperature Range	-40℃~85℃	
额定温度 Rated Temperature	85℃	
额定电压 Rated Voltage	275/305Vac	
最大连续直流电压 Maximum continuous DC voltage	标准化 Normal Size	630Vdc
	小型化 Miniaturization	560Vdc
电容量范围 Capacitance Range	0.001 $\mu$ F~4.7 $\mu$ F	
电容量偏差 Capacitance Tolerance	$\pm 5\%$ (J)、 $\pm 10\%$ (K)、 $\pm 20\%$ (M) (20℃, 1kHz)	
耐电压 Voltage Proof	U=4.3U <sub>R</sub> (20℃, 5s)	
绝缘电阻 Insulation Resistance	C <sub>R</sub> ≤0.33 $\mu$ F, IR≥100 000M $\Omega$ C <sub>R</sub> >0.33 $\mu$ F, IR×C≥30 000s	(20℃, 100Vdc, 1min)
损耗角正切 Dissipation Factor	≤0.0010 (1kHz, 20℃) ≤0.0020 (10kHz, 20℃) (C <sub>R</sub> ≤1 $\mu$ F)	

#### ◆ 最大电压脉冲斜率：Max dv/dt (V/ $\mu$ s)

额定电压 (Vac)	Max dv/dt (V/ $\mu$ s)				
	P=7.5	P=10.0	P=15.0	P=22.5	P=27.5
275/305	500	475	340	170	120
275/305 (Miniature)	450	400	300	/	/



CBB62

CBB62 series

◆ 产品尺寸: Special Product Dimension:

275Vac <sup>▲</sup> /305Vac																
C (μF)	W	H	T	P	d	产品代码 Part number	MOQ	C (μF)	W	H	T	P	d	产品代码 Part number	MOQ	
0.0010	10.2	8.0	4.0	7.5	0.6	CB62102-P230****	1000	0.039	12.5	9.0	4.0	10.0	0.6	CB62393-P240****	500	
0.0012	10.2	8.0	4.0	7.5	0.6	CB62122-P230****	1000	0.047	12.5	9.0	4.5	10.0	0.6	CB62473-P240****	500	
0.0015	10.2	9.0	4.0	7.5	0.6	CB62152-P230****	1000	0.056	12.5	10.0	4.5	10.0	0.6	CB62563-P240****	500	
0.0018	10.2	9.0	4.0	7.5	0.6	CB62182-P230****	1000	0.068	12.5	10.5	5.0	10.0	0.6	CB62683-P240****	500	
0.0022	10.2	8.0	4.0	7.5	0.6	CB62222-P230****	1000	0.082	12.5	11.0	5.5	10.0	0.6	CB62823-P240****	500	
0.0027	10.5	9.0	4.0	7.5	0.6	CB62272-P230****	1000	0.1	12.5	11.5	6.0	10.0	0.6	CB62104-P240****	500	
0.0033	10.2	7.5	3.5	7.5	0.6	CB62332-P230****	1000	0.12	12.5	12.0	6.5	10.0	0.6	CB62124-P240****	500	
0.0039	10.2	8.0	4.0	7.5	0.6	CB62392-P230****	1000	0.15	12.5	12.5	7.0	10.0	0.6	CB62154-P240****	500	
0.0047	10.2	8.5	4.0	7.5	0.6	CB62472-P230****	1000	0.01	17.5	9.5	4.5	15.0	0.6	CB62103-P260****	500	
0.0056	10.2	8.0	3.5	7.5	0.6	CB62562-P230****	1000	0.012	17.5	10.5	4.5	15.0	0.6	CB62123-P260****	500	
0.0068	10.2	8.0	4.0	7.5	0.6	CB62682-P230****	1000	0.015	17.5	11.0	5.0	15.0	0.6	CB62153-P260****	500	
0.0082	10.2	9.0	4.0	7.5	0.6	CB62822-P230****	1000	0.018	17.5	10.0	4.5	15.0	0.6	CB62183-P260****	500	
0.01	10.2	8.0	4.0	7.5	0.6	CB62103-P230****	1000	0.022	17.5	10.5	5.0	15.0	0.6	CB62223-P260****	500	
0.012	10.2	8.5	4.0	7.5	0.6	CB62123-P230****	1000	0.027	17.5	10.0	4.0	15.0	0.6	CB62273-P260****	500	
0.015	10.2	8.0	4.0	7.5	0.6	CB62153-P230****	1000	0.033	17.5	10.5	4.5	15.0	0.6	CB62333-P260****	500	
0.018	10.2	8.0	3.5	7.5	0.6	CB62183-P230****	1000	0.039	17.5	10.5	5.0	15.0	0.6	CB62393-P260****	500	
0.022	10.2	8.5	4.0	7.5	0.6	CB62223-P230****	1000	0.047	17.5	10.0	4.5	15.0	0.6	CB62473-P260****	500	
0.027	10.2	8.5	4.5	7.5	0.6	CB62273-P230****	1000	0.056	17.5	10.5	4.5	15.0	0.6	CB62563-P260****	500	
0.033	10.2	9.5	4.5	7.5	0.6	CB62333-P230****	1000	0.068	17.5	10.0	4.5	15.0	0.6	CB62683-P260****	500	
0.039	10.2	10.5	4.5	7.5	0.6	CB62393-P230****	1000	0.082	17.5	10.5	5.0	15.0	0.6	CB62823-P260****	500	
0.047	10.2	10.0	5.5	7.5	0.6	CB62473-P230****	1000	0.1	17.5	10.5	4.5	15.0	0.6	CB62104-P260****	500	
0.0047	12.5	8.0	3.5	10.0	0.6	CB62472-P240****	500	0.12	17.5	10.5	5.0	15.0	0.6	CB62124-P260****	500	
0.0056	12.5	8.0	4.0	10.0	0.6	CB62562-P240****	500	0.15	17.5	10.5	6.0	15.0	0.8	CB62154-P260****	500	
0.0068	12.5	9.0	4.0	10.0	0.6	CB62682-P240****	500	0.18	17.5	11.5	6.0	15.0	0.8	CB62184-P260****	500	
0.0082	12.5	7.5	3.5	10.0	0.6	CB62822-P240****	500	0.22	17.5	13.5	6.0	15.0	0.8	CB62224-P260****	500	
0.01	12.5	8.0	4.0	10.0	0.6	CB62103-P240****	500	0.27	17.5	13.0	7.5	15.0	0.8	CB62274-P260****	500	
0.012	12.5	8.0	4.0	10.0	0.6	CB62123-P240****	500	0.33	17.5	14.0	8.0	15.0	0.8	CB62334-P260****	500	
0.015	12.5	8.0	4.0	10.0	0.6	CB62153-P240****	500	0.39	17.5	14.5	9.0	15.0	0.8	CB62394-P260****	500	
0.018	12.5	8.5	4.0	10.0	0.6	CB62183-P240****	500	0.47	17.5	15.5	9.5	15.0	0.8	CB62474-P260****	500	
0.022	12.5	8.0	4.0	10.0	0.6	CB62223-P240****	500	0.56	17.5	16.5	10.5	15.0	0.8	CB62564-P260****	500	
0.027	12.5	9.0	4.0	10.0	0.6	CB62273-P240****	500	0.68	17.5	18.5	11.0	15.0	0.8	CB62684-P260****	500	
0.033	12.5	8.0	4.0	10.0	0.6	CB62333-P240****	500	0.82	17.5	20.5	11.5	15.0	0.8	CB62824-P260****	500	

◆ 小型化: Miniature version:

275Vac <sup>▲</sup> /305Vac																
C (μF)	W	H	T	P	d	产品代码 Part number	MOQ	C (μF)	W	H	T	P	d	产品代码 Part number	MOQ	
0.027	10.2	8.0	3.5	7.5	0.6	CB62273-P23M****	1000	0.22	12.5	13.0	7.5	10.0	0.6	CB62224-P24M****	500	
0.033	10.2	8.5	4.0	7.5	0.6	CB62333-P23M****	1000	0.27	12.5	14.0	8.0	10.0	0.6	CB62274-P24M****	500	
0.039	10.2	9.0	4.0	7.5	0.6	CB62393-P23M****	1000	0.15	17.5	10.5	4.5	15.0	0.6	CB62154-P26M****	500	
0.047	10.2	9.5	4.5	7.5	0.6	CB62473-P23M****	1000	0.18	17.5	10.5	5.0	15.0	0.6	CB62184-P26M****	500	
0.056	10.2	9.5	5.0	7.5	0.6	CB62563-P23M****	1000	0.22	17.5	10.5	5.5	15.0	0.8	CB62224-P26M****	500	
0.068	10.2	10.5	5.0	7.5	0.6	CB62683-P23M****	1000	0.27	17.5	11.5	6.0	15.0	0.8	CB62274-P26M****	500	
0.082	10.2	11.0	5.5	7.5	0.6	CB62823-P23M****	1000	0.33	17.5	12.5	6.5	15.0	0.8	CB62334-P26M****	500	
0.1	10.2	12.0	6.0	7.5	0.6	CB62104-P23M****	1000	0.39	17.5	13.0	7.0	15.0	0.8	CB62394-P26M****	500	
0.12	10.2	12.5	7.0	7.5	0.6	CB62124-P23M****	1000	0.47	17.5	13.5	8.0	15.0	0.8	CB62474-P26M****	500	
0.1	12.5	10.5	5.0	10.0	0.6	CB62104-P24M****	500	0.56	17.5	14.0	9.0	15.0	0.8	CB62564-P26M****	500	
0.12	12.5	11.0	5.5	10.0	0.6	CB62124-P24M****	500	0.68	17.5	15.5	9.5	15.0	0.8	CB62684-P26M****	500	
0.15	12.5	11.5	6.0	10.0	0.6	CB62154-P24M****	500	0.82	17.5	17.0	10.0	15.0	0.8	CB62824-P26M****	500	
0.18	12.5	12.0	6.5	10.0	0.6	CB62184-P24M****	500	1	17.5	18.5	11.0	15.0	0.8	CB62105-P26M****	500	

备注:

“-”: 客户要求的容量偏差

“\*\*\*\*”: 引线加工和包装代码 (见 15 页表 4)

“▲”: 当额定电压为 275Vac 时, 第 9~10 位为 N3

MOQ: 最小订单量

“-”=custom's capacitor tolerance code, J=±5%, K=±10%, M=±20%

“\*\*\*\*”= Lead form and packing code (refer to table 4 in page 15)

“▲”=when the rated voltage is 275Vac, the digit 9~10 is N3

MOQ = Minimum order quantity