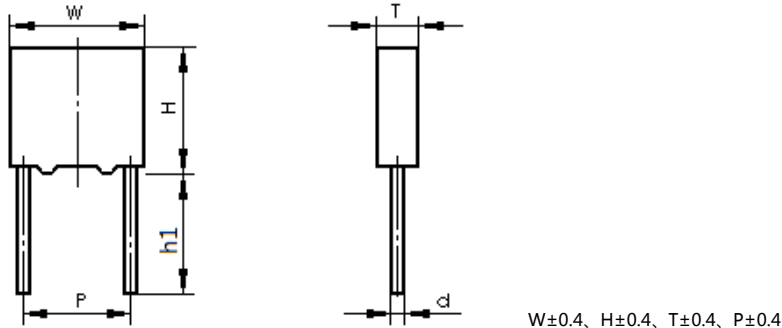


CBB25L 型盒式金属化聚丙烯薄膜电容器

Metallized Polypropylene Film Capacitor (Box-Type)

◆ 外形尺寸图及产品结构 Outline Drawing and Capacitor Construction



◆ 特点及用途 Application and Feature

金属化聚丙烯膜，耐压高，适用于开关电源、电子镇流器和变频器等直流滤波(PFC、DC-Link 等)。
Metallized polypropylene film, high-voltage proof. Suitable for the DC filter, DC-blocking circuit (PFC, DC-Link).

◆ 技术要求 Specifications

参照标准 Reference Standard	GB 10190、IEC 60384-16
气候类别 Climatic Category	40/105/56
工作温度范围 Operation Temperature Range	-40℃~105℃
额定温度 Rated Temperature	85℃
额定电压 Rated Voltage	400Vdc/450Vdc、630Vdc
电容量范围 Capacitance Range	0.1μF~1.2μF
电容量偏差 Capacitance Tolerance	±5%(J)、±10%(K)、±20%(M) (20℃, 1kHz)
耐电压 Voltage Proof	$U=1.6U_R, 5s(20^\circ C)$
绝缘电阻 Insulation Resistance	$C_R \leq 0.33\mu F, IR \geq 100\ 000M\Omega$ $C_R > 0.33\mu F, IR \times C \geq 30\ 000s$ (20℃, 100Vdc, 1min)
损耗角正切 Dissipation Factor	1kHz: $\tan \delta \leq 0.0010$ 10kHz: $\tan \delta \leq 0.0030 (C_R \leq 1\mu F)$
<p>说明：电容器的工作电压随温度上升而下降，在 85~105℃之间，以 85℃为基准，环境温度每上升 1℃，电容器的额定工作电压应降低 1.25%。 Note: The working voltage of the capacitor decreases as the temperature rises. between 85~105℃,take 85℃ as the base, the temperature rises 1℃,the rated working voltage of the capacitor decreases 1.25%.</p>	



CBB25L

CBB25L series

◆ 产品尺寸: **Product Dimension:**

400Vdc [▲] /450Vdc								630Vdc							
C (μF)	W	H	T	P	d	产品代码 Part number	MOQ	C (μF)	W	H	T	P	d	产品代码 Part number	MOQ
0.047	10.5	8.5	3.5	7.5	0.6	CB25473-2S3L****	500	0.039	10.5	8.5	3.5	7.5	0.6	CB25393-2J3L****	500
0.056	10.5	8.5	3.5	7.5	0.6	CB25563-2S3L****	500	0.047	10.5	8.5	3.5	7.5	0.6	CB25473-2J3L****	500
0.068	10.5	8.5	3.5	7.5	0.6	CB25683-2S3L****	500	0.056	10.5	8.5	3.5	7.5	0.6	CB25563-2J3L****	500
0.082	10.5	8.5	3.5	7.5	0.6	CB25823-2S3L****	500	0.068	10.5	9.0	4.0	7.5	0.6	CB25683-2J3L****	500
0.10	10.5	8.5	3.5	7.5	0.6	CB25104-2S3L****	500	0.082	10.5	9.0	4.0	7.5	0.6	CB25823-2J3L****	500
0.12	10.5	9.0	4.0	7.5	0.6	CB25124-2S3L****	500	0.10	10.5	11.0	5.0	7.5	0.6	CB25104-2J3L****	500
0.15	10.5	11.0	5.0	7.5	0.6	CB25154-2S3L****	500	0.12	10.5	11.0	5.0	7.5	0.6	CB25124-2J3L****	500
0.18	10.5	11.0	5.0	7.5	0.6	CB25184-2S3L****	500	0.15	10.5	11.0	5.0	7.5	0.6	CB25154-2J3L****	500
0.22	10.5	11.0	5.0	7.5	0.6	CB25224-2S3L****	500	0.18	10.5	12.0	6.0	7.5	0.6	CB25184-2J3L****	500
0.27	10.5	12.0	6.0	7.5	0.6	CB25274-2S3L****	500	0.22	10.5	12.0	6.0	7.5	0.6	CB25224-2J3L****	500
0.33	10.5	12.0	6.0	7.5	0.6	CB25334-2S3L****	500	0.056	13.0	8.5	3.5	10.0	0.6	CB25563-2J4L****	500
0.10	13.0	8.5	3.5	10.0	0.6	CB25104-2S4L****	500	0.068	13.0	8.5	3.5	10.0	0.6	CB25683-2J4L****	500
0.12	13.0	8.5	3.5	10.0	0.6	CB25124-2S4L****	500	0.082	13.0	8.5	3.5	10.0	0.6	CB25823-2J4L****	500
0.15	13.0	9.0	4.0	10.0	0.6	CB25154-2S4L****	500	0.10	13.0	9.0	4.0	10.0	0.6	CB25104-2J4L****	500
0.18	13.0	9.0	4.0	10.0	0.6	CB25184-2S4L****	500	0.12	13.0	11.0	5.0	10.0	0.6	CB25124-2J4L****	500
0.22	13.0	11.0	5.0	10.0	0.6	CB25224-2S4L****	500	0.15	13.0	11.0	5.0	10.0	0.6	CB25154-2J4L****	500
0.27	13.0	11.0	5.0	10.0	0.6	CB25274-2S4L****	500	0.18	13.0	11.0	5.0	10.0	0.6	CB25184-2J4L****	500
0.33	13.0	11.0	5.0	10.0	0.6	CB25334-2S4L****	500	0.22	13.0	11.0	5.0	10.0	0.6	CB25224-2J4L****	500
0.39	13.0	12.0	6.0	10.0	0.6	CB25394-2S4L****	500	0.27	13.0	12.0	6.0	10.0	0.6	CB25274-2J4L****	500
0.47	13.0	12.0	6.0	10.0	0.6	CB25474-2S4L****	500	0.33	13.0	13.0	7.0	10.0	0.6	CB25334-2J4L****	500
0.56	13.0	13.0	7.0	10.0	0.6	CB25564-2S4L****	500	0.39	13.0	13.0	7.0	10.0	0.6	CB25394-2J4L****	500
0.68	13.0	13.0	7.0	10.0	0.6	CB25684-2S4L****	500	0.22	18.0	9.5	5.0	15.0	0.6	CB25224-2J6L****	500
0.22	18.0	9.5	5.0	15.0	0.6	CB25224-2S6L****	500	0.27	18.0	9.5	5.0	15.0	0.6	CB25274-2J6L****	500
0.27	18.0	9.5	5.0	15.0	0.6	CB25274-2S6L****	500	0.33	18.0	11.0	5.0	15.0	0.6	CB25334-2J6L****	500
0.33	18.0	9.5	5.0	15.0	0.6	CB25334-2S6L****	500	0.39	18.0	12.0	6.0	15.0	0.6	CB25394-2J6L****	500
0.39	18.0	9.5	5.0	15.0	0.6	CB25394-2S6L****	500	0.47	18.0	12.0	6.0	15.0	0.6	CB25474-2J6L****	500
0.47	18.0	11.0	5.0	15.0	0.6	CB25474-2S6L****	500	0.56	18.0	12.0	7.0	15.0	0.6	CB25564-2J6L****	500
0.56	18.0	11.0	5.0	15.0	0.6	CB25564-2S6L****	500	0.68	18.0	13.0	7.0	15.0	0.6	CB25684-2J6L****	500
0.68	18.0	12.0	6.0	15.0	0.6	CB25684-2S6L****	500	0.82	18.0	13.5	7.5	15.0	0.6	CB25824-2J6L****	500
0.82	18.0	12.0	7.0	15.0	0.6	CB25824-2S6L****	500	1.0	18.0	14.5	8.5	15.0	0.6	CB25105-2J6L****	500
1.0	18.0	13.0	7.0	15.0	0.6	CB25105-2S6L****	500	1.2	18.0	16.0	10.0	15.0	0.8	CB25125-2J6L****	500
1.2	18.0	13.5	7.5	15.0	0.6	CB25125-2S6L****	500	1.5	18.0	19.0	11.0	15.0	0.8	CB25155-2J6L****	500
1.5	18.0	14.5	8.5	15.0	0.6	CB25155-2S6L****	500	1.8	18.0	19.0	11.0	15.0	0.8	CB25185-2J6L****	500
1.8	18.0	16.0	10.0	15.0	0.8	CB25185-2S6L****	500								
2.5	18.0	19.0	11.0	15.0	0.8	CB25255-2S6L****	500								
2.7	18.0	19.0	11.0	15.0	0.8	CB25275-2S6L****	500								

备注:

“-”: 客户要求的容量偏差

“****”: 引线加工和包装代码 (见 15 页表 4)

“▲”: 当额定电压为 400Vdc 时, 第 9~10 位为 2G

MOQ: 最小订单量

“-”=custom's capacitor tolerance code, J=±5%, K=±10%, M=±20%

“****”= Lead form and packing code (refer to table 4 in page 15)

“▲”=when the rated voltage is 400Vdc, the digit 9~10 is 2G

MOQ = Minimum order quantity