

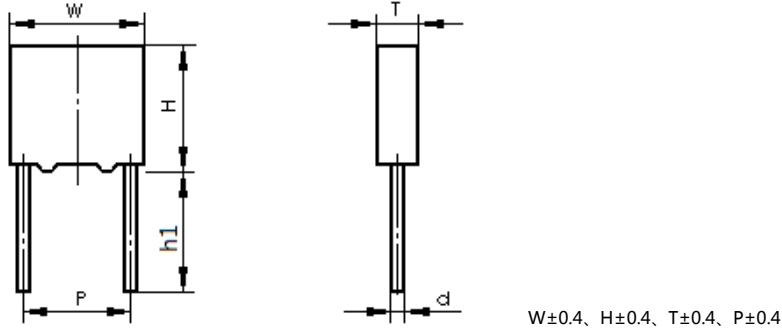


CBB24  
CBB24 series

## CBB24 型盒式金属化聚丙烯薄膜电容器

### Metallized Polypropylene Film Capacitor (Box-Type)

#### ◆ 外形尺寸图及产品结构 Outline Drawing and Capacitor Construction



#### ◆ 特点及用途 Application and Feature

耐压高、绝缘电阻高、内部温升小，适用于直流、交流、高频、谐振和脉冲电路。

High-voltage proof, high insulation resistance, Small inherent temperature rise. Suitable for the high frequency, resonance, DC, AC, pulse circuits.

#### ◆ 技术要求 Specifications

参照标准 Reference Standard	GB/T 10190、IEC 60384-16
气候类别 Climatic Category	40/105/56
工作温度范围 Operation Temperature Range	-40℃~110℃ (+85℃~+110℃: decreasing factor 1.25% per℃ for $U_R$ )
额定温度 Rated Temperature	85℃
额定电压 Rated Voltage	160Vdc/90Vac、250Vdc/160Vac、400Vdc/450Vdc/220Vac、630Vdc/250Vac、 1000Vdc/1250Vdc /400Vac、1600Vdc/600Vac、2000Vdc/700Vac
电容量范围 Capacitance Range	0.00047μF~15.0μF
电容量偏差 Capacitance Tolerance	±5%(J)、±10%(K)、±20%(M) (20℃, 1kHz)
耐电压 Voltage Proof	$U=1.6U_R$ (20℃, 5s)
绝缘电阻 Insulation Resistance	$C_R \leq 0.33\mu F, IR \geq 100\ 000M\Omega$ $C_R > 0.33\mu F, IR \times C \geq 30\ 000s$ (20℃, 100V, 1min)
损耗角正切 Dissipation Factor	$\leq 0.0010$ (1kHz, 20℃)
	$\leq 0.0020$ (10kHz, 20℃) ( $C_R \leq 1\mu F$ )

#### ◆ 最大电压脉冲斜率: Max dv/dt (V/μs)

额定电压 (Vdc)	Max dv/dt (V/μs)				
	P=7.5	P=10.0	P=15.0	P=22.5	P=27.5
160	310	190	110	70	55
250	660	560	310	130	110
400/450	900	780	600	300	130
630	1 500	1 200	900	400	200
1000/1250	2 300	2 200	2 000	800	300
1600	/	6 000	4 500	2 400	/
2000	/	/	9 500	6 000	/

◆ 产品尺寸: Product Dimension:

160Vdc (90Vac)															
C (μF)	W	H	T	P	d	产品代码 Part number	MOQ	C (μF)	W	H	T	P	d	产品代码 Part number	MOQ
0.033	10.5	9.0	4.0	7.5	0.6	CB24333-2C30****	1000	0.68	18.0	13.5	7.5	15.0	0.8	CB24684-2C60****	500
0.039	10.5	9.0	4.0	7.5	0.6	CB24393-2C30****	1000	0.82	18.0	14.5	8.5	15.0	0.8	CB24824-2C60****	500
0.047	10.5	9.0	4.0	7.5	0.6	CB24473-2C30****	1000	1.0	18.0	16.0	10.0	15.0	0.8	CB24105-2C60****	500
0.056	10.5	9.0	4.0	7.5	0.6	CB24563-2C30****	1000	1.2	18.0	16.0	10.0	15.0	0.8	CB24125-2C60****	500
0.068	10.5	9.0	4.0	7.5	0.6	CB24683-2C30****	1000	1.5	18.0	19.0	11.0	15.0	0.8	CB24155-2C60****	200
0.082	10.5	9.0	4.0	7.5	0.6	CB24823-2C30****	1000	0.27	26.5	15.0	6.0	22.5	0.8	CB24274-2C90****	500
0.10	10.5	11.0	5.0	7.5	0.6	CB24104-2C30****	1000	0.33	26.5	15.0	6.0	22.5	0.8	CB24334-2C90****	500
0.12	10.5	11.0	5.0	7.5	0.6	CB24124-2C30****	1000	0.39	26.5	15.0	6.0	22.5	0.8	CB24394-2C90****	500
0.15	10.5	11.0	5.0	7.5	0.6	CB24154-2C30****	1000	0.47	26.5	15.0	6.0	22.5	0.8	CB24474-2C90****	500
0.18	10.5	12.0	6.0	7.5	0.6	CB24184-2C30****	1000	0.56	26.5	15.0	6.0	22.5	0.8	CB24564-2C90****	500
0.22	10.5	12.0	6.0	7.5	0.6	CB24224-2C30****	1000	0.68	26.5	15.0	6.0	22.5	0.8	CB24684-2C90****	500
0.033	13.0	9.0	4.0	10.0	0.6	CB24333-2C40****	500	0.82	26.5	15.0	6.0	22.5	0.8	CB24824-2C90****	500
0.039	13.0	9.0	4.0	10.0	0.6	CB24393-2C40****	500	1.0	26.5	15.0	6.0	22.5	0.8	CB24105-2C90****	500
0.047	13.0	9.0	4.0	10.0	0.6	CB24473-2C40****	500	1.2	26.5	16.0	7.0	22.5	0.8	CB24125-2C90****	500
0.056	13.0	9.0	4.0	10.0	0.6	CB24563-2C40****	500	1.5	26.5	17.0	8.5	22.5	0.8	CB24155-2C90****	500
0.068	13.0	9.0	4.0	10.0	0.6	CB24683-2C40****	500	1.8	26.5	17.0	8.5	22.5	0.8	CB24185-2C90****	500
0.082	13.0	9.0	4.0	10.0	0.6	CB24823-2C40****	500	2.2	26.5	18.5	10.0	22.5	0.8	CB24225-2C90****	200
0.10	13.0	9.0	4.0	10.0	0.6	CB24104-2C40****	500	2.7	26.5	20.0	11.0	22.5	0.8	CB24275-2C90****	200
0.12	13.0	9.0	4.0	10.0	0.6	CB24124-2C40****	500	3.3	26.5	22.0	12.0	22.5	0.8	CB24335-2C90****	200
0.15	13.0	11.0	5.0	10.0	0.6	CB24154-2C40****	500	1.0	32.0	18.0	9.0	27.5	0.8	CB24105-2CB0****	500
0.18	13.0	11.0	5.0	10.0	0.6	CB24184-2C40****	500	1.2	32.0	18.0	9.0	27.5	0.8	CB24125-2CB0****	500
0.22	13.0	11.0	5.0	10.0	0.6	CB24224-2C40****	500	1.5	32.0	18.0	9.0	27.5	0.8	CB24155-2CB0****	500
0.27	13.0	12.0	6.0	10.0	0.6	CB24274-2C40****	500	1.8	32.0	18.0	9.0	27.5	0.8	CB24185-2CB0****	500
0.33	13.0	12.0	6.0	10.0	0.6	CB24334-2C40****	500	2.2	32.0	18.0	9.0	27.5	0.8	CB24225-2CB0****	500
0.10	18.0	11.0	5.0	15.0	0.8	CB24104-2C60****	500	2.7	32.0	20.0	11.0	27.5	0.8	CB24275-2CB0****	200
0.12	18.0	11.0	5.0	15.0	0.8	CB24124-2C60****	500	3.3	32.0	20.0	11.0	27.5	0.8	CB24335-2CB0****	200
0.15	18.0	11.0	5.0	15.0	0.8	CB24154-2C60****	500	3.9	32.0	22.0	13.0	27.5	0.8	CB24395-2CB0****	100
0.18	18.0	11.0	5.0	15.0	0.8	CB24184-2C60****	500	4.7	32.0	25.0	14.0	27.5	0.8	CB24475-2CB0****	100
0.22	18.0	11.0	5.0	15.0	0.8	CB24224-2C60****	500	5.6	32.0	24.5	15.0	27.5	0.8	CB24565-2CB0****	100
0.27	18.0	11.0	5.0	15.0	0.8	CB24274-2C60****	500	6.8	32.0	28.0	17.0	27.5	0.8	CB24685-2CB0****	50
0.33	18.0	11.0	5.0	15.0	0.8	CB24334-2C60****	500	8.2	32.0	28.0	17.0	27.5	0.8	CB24825-2CB0****	50
0.39	18.0	12.0	6.0	15.0	0.8	CB24394-2C60****	500	10.0	32.0	33.0	18.0	27.5	0.8	CB24106-2CB0****	50
0.47	18.0	12.0	6.0	15.0	0.8	CB24474-2C60****	500	12.0	32.0	37.0	22.0	27.5	0.8	CB24126-2CB0****	50
0.56	18.0	13.5	7.5	15.0	0.8	CB24564-2C60****	500	15.0	32.0	37.0	22.0	27.5	0.8	CB24156-2CB0****	50

备注:

“-”: 客户要求的容量偏差

“\*\*\*\*”: 引线加工和包装代码 (见 15 页表 4)

MOQ: 最小订单量

“-”=custom's capacitor tolerance code, J=±5%, K=±10%, M=±20%

“\*\*\*\*”= Lead form and packing code (refer to table 4 in page 15)

MOQ = Minimum order quantity



# CBB24

CBB24 series

◆ 产品尺寸: **Product Dimension:**

250Vdc (160Vac)															
C (μF)	W	H	T	P	d	产品代码 Part number	MOQ	C (μF)	W	H	T	P	d	产品代码 Part number	MOQ
0.010	10.5	9.0	4.0	7.5	0.6	CB24103-2E30****	1000	0.39	18.0	13.5	7.5	15.0	0.8	CB24394-2E60****	500
0.012	10.5	9.0	4.0	7.5	0.6	CB24123-2E30****	1000	0.47	18.0	14.5	8.5	15.0	0.8	CB24474-2E60****	500
0.015	10.5	9.0	4.0	7.5	0.6	CB24153-2E30****	1000	0.56	18.0	14.5	8.5	15.0	0.8	CB24564-2E60****	500
0.018	10.5	9.0	4.0	7.5	0.6	CB24183-2E30****	1000	0.68	18.0	16.0	10.0	15.0	0.8	CB24684-2E60****	500
0.022	10.5	9.0	4.0	7.5	0.6	CB24223-2E30****	1000	0.82	18.0	19.0	11.0	15.0	0.8	CB24824-2E60****	200
0.027	10.5	9.0	4.0	7.5	0.6	CB24273-2E30****	1000	1.0	18.0	19.0	11.0	15.0	0.8	CB24105-2E60****	200
0.033	10.5	9.0	4.0	7.5	0.6	CB24333-2E30****	1000	0.10	26.5	15.0	6.0	22.5	0.8	CB24104-2E90****	500
0.039	10.5	9.0	4.0	7.5	0.6	CB24393-2E30****	1000	0.12	26.5	15.0	6.0	22.5	0.8	CB24124-2E90****	500
0.047	10.5	9.0	4.0	7.5	0.6	CB24473-2E30****	1000	0.15	26.5	15.0	6.0	22.5	0.8	CB24154-2E90****	500
0.056	10.5	9.0	4.0	7.5	0.6	CB24563-2E30****	1000	0.15	26.5	15.0	6.0	22.5	0.8	CB24154-2E90****	500
0.068	10.5	11.0	5.0	7.5	0.6	CB24683-2E30****	1000	0.18	26.5	15.0	6.0	22.5	0.8	CB24184-2E90****	500
0.082	10.5	11.0	5.0	7.5	0.6	CB24823-2E30****	1000	0.22	26.5	15.0	6.0	22.5	0.8	CB24224-2E90****	500
0.10	10.5	11.0	5.0	7.5	0.6	CB24104-2E30****	1000	0.27	26.5	15.0	6.0	22.5	0.8	CB24274-2E90****	500
0.12	10.5	12.0	6.0	7.5	0.6	CB24124-2E30****	1000	0.33	26.5	15.0	6.0	22.5	0.8	CB24334-2E90****	500
0.15	10.5	12.0	6.0	7.5	0.6	CB24154-2E30****	1000	0.39	26.5	15.0	6.0	22.5	0.8	CB24394-2E90****	500
0.022	13.0	9.0	4.0	10.0	0.6	CB24223-2E40****	500	0.47	26.5	15.0	6.0	22.5	0.8	CB24474-2E90****	500
0.027	13.0	9.0	4.0	10.0	0.6	CB24273-2E40****	500	0.56	26.5	15.0	6.0	22.5	0.8	CB24564-2E90****	500
0.033	13.0	9.0	4.0	10.0	0.6	CB24333-2E40****	500	0.68	26.5	16.0	7.0	22.5	0.8	CB24684-2E90****	500
0.039	13.0	9.0	4.0	10.0	0.6	CB24393-2E40****	500	0.82	26.5	17.0	8.5	22.5	0.8	CB24824-2E90****	500
0.047	13.0	9.0	4.0	10.0	0.6	CB24473-2E40****	500	1.0	26.5	17.0	8.5	22.5	0.8	CB24105-2E90****	500
0.056	13.0	9.0	4.0	10.0	0.6	CB24563-2E40****	500	1.2	26.5	18.5	10.0	22.5	0.8	CB24125-2E90****	200
0.068	13.0	9.0	4.0	10.0	0.6	CB24683-2E40****	500	1.5	26.5	18.5	10.0	22.5	0.8	CB24155-2E90****	200
0.082	13.0	11.0	5.0	10.0	0.6	CB24823-2E40****	500	1.8	26.5	20.0	11.0	22.5	0.8	CB24185-2E90****	200
0.10	13.0	11.0	5.0	10.0	0.6	CB24104-2E40****	500	2.2	26.5	22.0	12.0	22.5	0.8	CB24225-2E90****	200
0.12	13.0	11.0	5.0	10.0	0.6	CB24124-2E40****	500	0.82	32.0	18.0	9.0	27.5	0.8	CB24824-2EB0****	500
0.15	13.0	12.0	6.0	10.0	0.6	CB24154-2E40****	500	1.0	32.0	18.0	9.0	27.5	0.8	CB24105-2EB0****	500
0.18	13.0	12.0	6.0	10.0	0.6	CB24184-2E40****	500	1.2	32.0	18.0	9.0	27.5	0.8	CB24125-2EB0****	500
0.068	18.0	11.0	5.0	15.0	0.8	CB24683-2E60****	500	1.5	32.0	18.0	9.0	27.5	0.8	CB24155-2EB0****	500
0.082	18.0	11.0	5.0	15.0	0.8	CB24823-2E60****	500	1.8	32.0	20.0	11.0	27.5	0.8	CB24185-2EB0****	200
0.10	18.0	11.0	5.0	15.0	0.8	CB24104-2E60****	500	2.2	32.0	20.0	11.0	27.5	0.8	CB24225-2EB0****	200
0.12	18.0	11.0	5.0	15.0	0.8	CB24124-2E60****	500	3.3	32.0	25.0	14.0	27.5	0.8	CB24335-2EB0****	100
0.15	18.0	11.0	5.0	15.0	0.8	CB24154-2E60****	500	3.9	32.0	24.5	15.0	27.5	0.8	CB24395-2EB0****	100
0.18	18.0	11.0	5.0	15.0	0.8	CB24184-2E60****	500	4.7	32.0	28.0	17.0	27.5	0.8	CB24475-2EB0****	50
0.22	18.0	12.0	6.0	15.0	0.8	CB24224-2E60****	500	5.6	32.0	33.0	18.0	27.5	0.8	CB24565-2EB0****	50
0.27	18.0	12.0	6.0	15.0	0.8	CB24274-2E60****	500	6.8	32.0	33.0	18.0	27.5	0.8	CB24685-2EB0****	50
0.33	18.0	13.5	7.5	15.0	0.8	CB24334-2E60****	500	8.2	32.0	37.0	22.0	27.5	0.8	CB24825-2EB0****	50
								10.0	32.0	37.0	22.0	27.5	0.8	CB24106-2EB0****	50

备注:

“-”: 客户要求的容量偏差

“\*\*\*\*”: 引线加工和包装代码 (见 15 页表 4)

MOQ: 最小订单量

“-”=custom's capacitor tolerance code, J=±5%, K=±10%, M=±20%

“\*\*\*\*”= Lead form and packing code (refer to table 4 in page 15)

MOQ = Minimum order quantity

◆ 产品尺寸: Product Dimension:

400Vdc/450Vdc (220Vac)															
C (μF)	W	H	T	P	d	产品代码 Part number	MOQ	C (μF)	W	H	T	P	d	产品代码 Part number	MOQ
0.010	10.5	9.0	4.0	7.5	0.6	CB24103-2G30****	1000	0.22	18.0	13.5	7.5	15.0	0.8	CB24224-2G60****	500
0.012	10.5	9.0	4.0	7.5	0.6	CB24123-2G30****	1000	0.27	18.0	13.5	7.5	15.0	0.8	CB24274-2G60****	500
0.015	10.5	9.0	4.0	7.5	0.6	CB24153-2G30****	1000	0.33	18.0	14.5	8.5	15.0	0.8	CB24334-2G60****	500
0.018	10.5	9.0	4.0	7.5	0.6	CB24183-2G30****	1000	0.39	18.0	14.5	8.5	15.0	0.8	CB24394-2G60****	500
0.022	10.5	9.0	4.0	7.5	0.6	CB24223-2G30****	1000	0.47	18.0	16.0	10.0	15.0	0.8	CB24474-2G60****	500
0.027	10.5	9.0	4.0	7.5	0.6	CB24273-2G30****	1000	0.56	18.0	19.0	11.0	15.0	0.8	CB24564-2G60****	500
0.033	10.5	11.0	5.0	7.5	0.6	CB24333-2G30****	1000	0.68	18.0	19.0	11.0	15.0	0.8	CB24684-2G60****	200
0.039	10.5	11.0	5.0	7.5	0.6	CB24393-2G30****	1000	0.10	26.5	15.0	6.0	22.5	0.8	CB24104-2G90****	500
0.047	10.5	11.0	5.0	7.5	0.6	CB24473-2G30****	1000	0.12	26.5	15.0	6.0	22.5	0.8	CB24124-2G90****	500
0.056	10.5	11.0	5.0	7.5	0.6	CB24563-2G30****	1000	0.15	26.5	15.0	6.0	22.5	0.8	CB24154-2G90****	500
0.068	10.5	12.0	6.0	7.5	0.6	CB24683-2G30****	1000	0.18	26.5	15.0	6.0	22.5	0.8	CB24184-2G90****	500
0.082	10.5	12.0	6.0	7.5	0.6	CB24823-2G30****	1000	0.22	26.5	15.0	6.0	22.5	0.8	CB24224-2G90****	500
0.010	13.0	9.0	4.0	10.0	0.6	CB24103-2G40****	500	0.27	26.5	15.0	6.0	22.5	0.8	CB24274-2G90****	500
0.012	13.0	9.0	4.0	10.0	0.6	CB24123-2G40****	500	0.33	26.5	15.0	6.0	22.5	0.8	CB24334-2G90****	500
0.015	13.0	9.0	4.0	10.0	0.6	CB24153-2G40****	500	0.39	26.5	15.0	6.0	22.5	0.8	CB24394-2G90****	500
0.018	13.0	9.0	4.0	10.0	0.6	CB24183-2G40****	500	0.47	26.5	16.0	7.0	22.5	0.8	CB24474-2G90****	500
0.022	13.0	9.0	4.0	10.0	0.6	CB24223-2G40****	500	0.56	26.5	17.0	8.5	22.5	0.8	CB24564-2G90****	500
0.027	13.0	9.0	4.0	10.0	0.6	CB24273-2G40****	500	0.68	26.5	17.0	8.5	22.5	0.8	CB24684-2G90****	500
0.033	13.0	9.0	4.0	10.0	0.6	CB24333-2G40****	500	0.82	26.5	18.5	10.0	22.5	0.8	CB24824-2G90****	200
0.039	13.0	9.0	4.0	10.0	0.6	CB24393-2G40****	500	1.0	26.5	20.0	11.0	22.5	0.8	CB24105-2G90****	200
0.047	13.0	11.0	5.0	10.0	0.6	CB24473-2G40****	500	1.2	26.5	20.0	11.0	22.5	0.8	CB24125-2G90****	200
0.056	13.0	11.0	5.0	10.0	0.6	CB24563-2G40****	500	1.5	26.5	22.0	12.0	22.5	0.8	CB24155-2G90****	200
0.068	13.0	11.0	5.0	10.0	0.6	CB24683-2G40****	500	0.47	32.0	18.0	9.0	27.5	0.8	CB24474-2GB0****	500
0.082	13.0	12.0	6.0	10.0	0.6	CB24823-2G40****	500	0.56	32.0	18.0	9.0	27.5	0.8	CB24564-2GB0****	500
0.10	13.0	12.0	6.0	10.0	0.6	CB24104-2G40****	500	0.68	32.0	18.0	9.0	27.5	0.8	CB24684-2GB0****	500
0.12	13.0	12.0	6.0	10.0	0.6	CB24124-2G40****	500	0.82	32.0	18.0	9.0	27.5	0.8	CB24824-2GB0****	500
0.039	18.0	11.0	5.0	15.0	0.8	CB24393-2G60****	500	1.0	32.0	18.0	9.0	27.5	0.8	CB24105-2GB0****	500
0.047	18.0	11.0	5.0	15.0	0.8	CB24473-2G60****	500	1.2	32.0	20.0	11.0	27.5	0.8	CB24125-2GB0****	200
0.056	18.0	11.0	5.0	15.0	0.8	CB24563-2G60****	500	1.5	32.0	22.0	13.0	27.5	0.8	CB24155-2GB0****	100
0.068	18.0	11.0	5.0	15.0	0.8	CB24683-2G60****	500	1.8	32.0	22.0	13.0	27.5	0.8	CB24185-2GB0****	100
0.082	18.0	11.0	5.0	15.0	0.8	CB24823-2G60****	500	2.2	32.0	25.0	14.0	27.5	0.8	CB24225-2GB0****	100
0.10	18.0	11.0	5.0	15.0	0.8	CB24104-2G60****	500	2.7	32.0	28.0	14.0	27.5	0.8	CB24275-2GB0****	100
0.12	18.0	11.0	5.0	15.0	0.8	CB24124-2G60****	500	3.3	32.0	28.0	17.0	27.5	0.8	CB24335-2GB0****	50
0.15	18.0	12.0	6.0	15.0	0.8	CB24154-2G60****	500	3.9	32.0	33.0	18.0	27.5	0.8	CB24395-2GB0****	50
0.18	18.0	12.0	6.0	15.0	0.8	CB24184-2G60****	500	4.7	32.0	37.0	22.0	27.5	0.8	CB24475-2GB0****	50
								5.6	32.0	37.0	22.0	27.5	0.8	CB24565-2GB0****	50

备注:

“-”: 客户要求的容量偏差

“\*\*\*\*”: 引线加工和包装代码 (见 15 页表 4)

“▲”: 当额定电压为 450Vdc 时, 第 9~10 位为 2S

MOQ: 最小订单量

“-”=custom's capacitor tolerance code, J=±5%, K=±10%, M=±20%

“\*\*\*\*”= Lead form and packing code (refer to table 4 in page 15)

“▲”=when the rated voltage is 450Vdc, the digit 9~10 is 2S

MOQ = Minimum order quantity



# CBB24

CBB24 series

◆ 产品尺寸: Product Dimension:

630Vdc (250Vac)															
C (μF)	W	H	T	P	d	产品代码 Part number	MOQ	C (μF)	W	H	T	P	d	产品代码 Part number	MOQ
0.0010	10.5	9.0	4.0	7.5	0.6	CB24102-2J30****	1000	0.027	18.0	11.0	5.0	15.0	0.8	CB24273-2J60****	500
0.0012	10.5	9.0	4.0	7.5	0.6	CB24122-2J30****	1000	0.033	18.0	11.0	5.0	15.0	0.8	CB24333-2J60****	500
0.0015	10.5	9.0	4.0	7.5	0.6	CB24152-2J30****	1000	0.039	18.0	11.0	5.0	15.0	0.8	CB24393-2J60****	500
0.0018	10.5	9.0	4.0	7.5	0.6	CB24182-2J30****	1000	0.047	18.0	11.0	5.0	15.0	0.8	CB24473-2J60****	500
0.0022	10.5	9.0	4.0	7.5	0.6	CB24222-2J30****	1000	0.056	18.0	12.0	6.0	15.0	0.8	CB24563-2J60****	500
0.0027	10.5	9.0	4.0	7.5	0.6	CB24272-2J30****	1000	0.068	18.0	12.0	6.0	15.0	0.8	CB24683-2J60****	500
0.0033	10.5	9.0	4.0	7.5	0.6	CB24332-2J30****	1000	0.082	18.0	13.5	7.5	15.0	0.8	CB24823-2J60****	500
0.0039	10.5	9.0	4.0	7.5	0.6	CB24392-2J30****	1000	0.10	18.0	13.5	7.5	15.0	0.8	CB24104-2J60****	500
0.0047	10.5	9.0	4.0	7.5	0.6	CB24472-2J30****	1000	0.12	18.0	14.5	8.5	15.0	0.8	CB24124-2J60****	500
0.0056	10.5	9.0	4.0	7.5	0.6	CB24562-2J30****	1000	0.15	18.0	14.5	8.5	15.0	0.8	CB24154-2J60****	500
0.0068	10.5	9.0	4.0	7.5	0.6	CB24682-2J30****	1000	0.18	18.0	16.0	10.0	15.0	0.8	CB24184-2J60****	500
0.0082	10.5	9.0	4.0	7.5	0.6	CB24822-2J30****	1000	0.22	18.0	16.0	10.0	15.0	0.8	CB24224-2J60****	500
0.010	10.5	9.0	4.0	7.5	0.6	CB24103-2J30****	1000	0.27	18.0	19.0	11.0	15.0	0.8	CB24274-2J60****	200
0.012	10.5	11.0	5.0	7.5	0.6	CB24123-2J30****	1000	0.068	26.5	15.0	6.0	22.5	0.8	CB24683-2J90****	500
0.015	10.5	11.0	5.0	7.5	0.6	CB24153-2J30****	1000	0.082	26.5	15.0	6.0	22.5	0.8	CB24823-2J90****	500
0.018	10.5	11.0	5.0	7.5	0.6	CB24183-2J30****	1000	0.10	26.5	15.0	6.0	22.5	0.8	CB24104-2J90****	500
0.022	10.5	12.0	6.0	7.5	0.6	CB24223-2J30****	1000	0.12	26.5	15.0	6.0	22.5	0.8	CB24124-2J90****	500
0.0010	13.0	9.0	4.0	10.0	0.6	CB24102-2J40****	500	0.15	26.5	15.0	6.0	22.5	0.8	CB24154-2J90****	500
0.0012	13.0	9.0	4.0	10.0	0.6	CB24122-2J40****	500	0.18	26.5	16.0	7.0	22.5	0.8	CB24184-2J90****	500
0.0015	13.0	9.0	4.0	10.0	0.6	CB24152-2J40****	500	0.22	26.5	16.0	7.0	22.5	0.8	CB24224-2J90****	500
0.0018	13.0	9.0	4.0	10.0	0.6	CB24182-2J40****	500	0.27	26.5	17.0	8.5	22.5	0.8	CB24274-2J90****	500
0.0022	13.0	9.0	4.0	10.0	0.6	CB24222-2J40****	500	0.33	26.5	18.5	10.0	22.5	0.8	CB24334-2J90****	200
0.0027	13.0	9.0	4.0	10.0	0.6	CB24272-2J40****	500	0.39	26.5	18.5	10.0	22.5	0.8	CB24394-2J90****	200
0.0033	13.0	9.0	4.0	10.0	0.6	CB24332-2J40****	500	0.47	26.5	20.0	11.0	22.5	0.8	CB24474-2J90****	200
0.0039	13.0	9.0	4.0	10.0	0.6	CB24392-2J40****	500	0.56	26.5	22.0	12.0	22.5	0.8	CB24564-2J90****	200
0.0047	13.0	9.0	4.0	10.0	0.6	CB24472-2J40****	500	0.18	32.0	18.0	9.0	27.5	0.8	CB24184-2JB0****	500
0.0056	13.0	9.0	4.0	10.0	0.6	CB24562-2J40****	500	0.22	32.0	18.0	9.0	27.5	0.8	CB24224-2JB0****	500
0.0068	13.0	9.0	4.0	10.0	0.6	CB24682-2J40****	500	0.27	32.0	18.0	9.0	27.5	0.8	CB24274-2JB0****	500
0.0082	13.0	9.0	4.0	10.0	0.6	CB24822-2J40****	500	0.33	32.0	18.0	9.0	27.5	0.8	CB24334-2JB0****	500
0.010	13.0	9.0	4.0	10.0	0.6	CB24103-2J40****	500	0.39	32.0	18.0	9.0	27.5	0.8	CB24394-2JB0****	500
0.012	13.0	9.0	4.0	10.0	0.6	CB24123-2J40****	500	0.47	32.0	20.0	11.0	27.5	0.8	CB24474-2JB0****	200
0.015	13.0	11.0	5.0	10.0	0.6	CB24153-2J40****	500	0.56	32.0	20.0	11.0	27.5	0.8	CB24564-2JB0****	200
0.018	13.0	11.0	5.0	10.0	0.6	CB24183-2J40****	500	0.68	32.0	22.0	13.0	27.5	0.8	CB24684-2JB0****	100
0.022	13.0	11.0	5.0	10.0	0.6	CB24223-2J40****	500	0.82	32.0	22.0	13.0	27.5	0.8	CB24824-2JB0****	100
0.027	13.0	11.0	5.0	10.0	0.6	CB24273-2J40****	500	1.0	32.0	24.5	15.0	27.5	0.8	CB24105-2JB0****	100
0.033	13.0	11.0	5.0	10.0	0.6	CB24333-2J40****	500	1.2	32.0	28.0	14.0	27.5	0.8	CB24125-2JB0****	100
0.039	13.0	12.0	6.0	10.0	0.6	CB24393-2J40****	500	1.5	32.0	28.0	17.0	27.5	0.8	CB24155-2JB0****	50
0.015	18.0	11.0	5.0	15.0	0.8	CB24153-2J60****	500	1.8	32.0	33.0	18.0	27.5	0.8	CB24185-2JB0****	50
0.018	18.0	11.0	5.0	15.0	0.8	CB24183-2J60****	500	2.2	32.0	37.0	22.0	27.5	0.8	CB24225-2JB0****	50
0.022	18.0	11.0	5.0	15.0	0.8	CB24223-2J60****	500	2.7	32.0	37.0	22.0	27.5	0.8	CB24275-2JB0****	50

备注:

“-”: 客户要求的容量偏差

“\*\*\*\*”: 引线加工和包装代码 (见 15 页表 4)

MOQ: 最小订单量

“-”=custom's capacitor tolerance code, J=±5%, K=±10%, M=±20%

“\*\*\*\*”= Lead form and packing code (refer to table 4 in page 15)

MOQ = Minimum order quantity

◆ 产品尺寸: Product Dimension:

630Vdc (250Vac)															
C ( $\mu$ F)	W	H	T	P	d	产品代码 Part number	MOQ	C ( $\mu$ F)	W	H	T	P	d	产品代码 Part number	MOQ
0.018	10.5	11.0	5.0	7.5	0.6	CB24183-2J3S****	1000	0.18	26.5	15.0	6.0	22.5	0.8	CB24184-2J9S****	500
0.022	10.5	11.0	5.0	7.5	0.6	CB24223-2J3S****	1000	0.22	26.5	15.0	6.0	22.5	0.8	CB24224-2J9S****	500
0.027	10.5	11.0	5.0	7.5	0.6	CB24273-2J3S****	1000	0.27	26.5	16.0	7.0	22.5	0.8	CB24274-2J9S****	500
0.033	10.5	12.0	6.0	7.5	0.6	CB24333-2J3S****	1000	0.33	26.5	17.0	8.5	22.5	0.8	CB24334-2J9S****	500
0.015	13.0	9.0	4.0	10.0	0.6	CB24153-2J4S****	500	0.39	26.5	17.0	8.5	22.5	0.8	CB24394-2J9S****	500
0.018	13.0	9.0	4.0	10.0	0.6	CB24183-2J4S****	500	0.47	26.5	18.5	10.0	22.5	0.8	CB24474-2J9S****	200
0.022	13.0	9.0	4.0	10.0	0.6	CB24223-2J4S****	500	0.56	26.5	20.0	11.0	22.5	0.8	CB24564-2J9S****	200
0.033	13.0	11.0	5.0	10.0	0.6	CB24333-2J4S****	500	0.68	26.5	22.0	12.0	22.5	0.8	CB24684-2J9S****	200
0.039	13.0	11.0	5.0	10.0	0.6	CB24393-2J4S****	500	0.47	32.0	18.0	9.0	27.5	0.8	CB24474-2JBS****	500
0.047	13.0	12.0	6.0	10.0	0.6	CB24473-2J4S****	500	0.56	32.0	18.0	9.0	27.5	0.8	CB24564-2JBS****	500
0.056	18.0	11.0	5.0	15.0	0.8	CB24563-2J6S****	500	0.68	32.0	20.0	11.0	27.5	0.8	CB24684-2JBS****	200
0.068	18.0	11.0	5.0	15.0	0.8	CB24683-2J6S****	500	0.82	32.0	20.0	11.0	27.5	0.8	CB24824-2JBS****	200
0.082	18.0	12.0	6.0	15.0	0.8	CB24823-2J6S****	500	1.00	32.0	22.0	13.0	27.5	0.8	CB24105-2JBS****	100
0.10	18.0	12.0	6.0	15.0	0.8	CB24104-2J6S****	500	1.20	32.0	24.5	15.0	27.5	0.8	CB24125-2JBS****	100
0.12	18.0	13.5	7.5	15.0	0.8	CB24124-2J6S****	500	1.50	32.0	28.0	14.0	27.5	0.8	CB24155-2JBS****	100
0.15	18.0	13.5	7.5	15.0	0.8	CB24154-2J6S****	500	1.80	32.0	28.0	17.0	27.5	0.8	CB24185-2JBS****	50
0.18	18.0	14.5	8.5	15.0	0.8	CB24184-2J6S****	500	2.20	32.0	33.0	18.0	27.5	0.8	CB24225-2JBS****	50
0.22	18.0	16.0	10.0	15.0	0.8	CB24224-2J6S****	500	2.70	32.0	37.0	22.0	27.5	0.8	CB24275-2JBS****	50
0.27	18.0	16.0	10.0	15.0	0.8	CB24274-2J6S****	500	3.30	32.0	37.0	22.0	27.5	0.8	CB24335-2JBS****	50
0.33	18.0	19.0	11.0	15.0	0.8	CB24334-2J6S****	200								

“-”: 客户要求的容量偏差

“\*\*\*\*”: 引线加工和包装代码 (见 15 页表 4)

MOQ: 最小订单量

“-”=custom's capacitor tolerance code, J=±5%, K=±10%, M=±20%

“\*\*\*\*”= Lead form and packing code (refer to table 4 in page 15)

MOQ = Minimum order quantity



CBB24

CBB24 series

◆ 产品尺寸: Product Dimension:

1000Vdc/1250Vdc (400Vac)															
C (μF)	W	H	T	P	d	产品代码 Part number	MOQ	C (μF)	W	H	T	P	d	产品代码 Part number	MOQ
0.0010	10.5	9.0	4.0	7.5	0.6	CB24102-3A30****	1000	0.027	18.0	13.5	7.5	15.0	0.8	CB24273-3A60****	500
0.0012	10.5	9.0	4.0	7.5	0.6	CB24122-3A30****	1000	0.033	18.0	13.5	7.5	15.0	0.8	CB24333-3A60****	500
0.0015	10.5	9.0	4.0	7.5	0.6	CB24152-3A30****	1000	0.039	18.0	14.5	8.5	15.0	0.8	CB24393-3A60****	500
0.0018	10.5	9.0	4.0	7.5	0.6	CB24182-3A30****	1000	0.047	18.0	16.0	10.0	15.0	0.8	CB24473-3A60****	500
0.0022	10.5	9.0	4.0	7.5	0.6	CB24222-3A30****	1000	0.056	18.0	16.0	10.0	15.0	0.8	CB24563-3A60****	500
0.0027	10.5	11.0	5.0	7.5	0.6	CB24272-3A30****	1000	0.068	18.0	19.0	11.0	15.0	0.8	CB24683-3A60****	200
0.0033	10.5	11.0	5.0	7.5	0.6	CB24332-3A30****	1000	0.010	26.5	15.0	6.0	22.5	0.8	CB24103-3A90****	500
0.0039	10.5	11.0	5.0	7.5	0.6	CB24392-3A30****	1000	0.012	26.5	15.0	6.0	22.5	0.8	CB24123-3A90****	500
0.0047	10.5	12.0	6.0	7.5	0.6	CB24472-3A30****	1000	0.015	26.5	15.0	6.0	22.5	0.8	CB24153-3A90****	500
0.0056	10.5	12.0	6.0	7.5	0.6	CB24562-3A30****	1000	0.018	26.5	15.0	6.0	22.5	0.8	CB24183-3A90****	500
0.0010	13.0	9.0	4.0	10.0	0.6	CB24102-3A40****	500	0.022	26.5	15.0	6.0	22.5	0.8	CB24223-3A90****	500
0.0012	13.0	9.0	4.0	10.0	0.6	CB24122-3A40****	500	0.027	26.5	15.0	6.0	22.5	0.8	CB24273-3A90****	500
0.0015	13.0	9.0	4.0	10.0	0.6	CB24152-3A40****	500	0.033	26.5	15.0	6.0	22.5	0.8	CB24333-3A90****	500
0.0018	13.0	9.0	4.0	10.0	0.6	CB24182-3A40****	500	0.039	26.5	15.0	6.0	22.5	0.8	CB24393-3A90****	500
0.0022	13.0	9.0	4.0	10.0	0.6	CB24222-3A40****	500	0.047	26.5	16.0	7.0	22.5	0.8	CB24473-3A90****	500
0.0027	13.0	9.0	4.0	10.0	0.6	CB24272-3A40****	500	0.056	26.5	16.0	7.0	22.5	0.8	CB24563-3A90****	500
0.0033	13.0	9.0	4.0	10.0	0.6	CB24332-3A40****	500	0.068	26.5	17.0	8.5	22.5	0.8	CB24683-3A90****	500
0.0039	13.0	9.0	4.0	10.0	0.6	CB24392-3A40****	500	0.082	26.5	17.0	8.5	22.5	0.8	CB24823-3A90****	500
0.0047	13.0	11.0	5.0	10.0	0.6	CB24472-3A40****	500	0.10	26.5	18.5	10.0	22.5	0.8	CB24104-3A90****	200
0.0056	13.0	11.0	5.0	10.0	0.6	CB24562-3A40****	500	0.12	26.5	20.0	11.0	22.5	0.8	CB24124-3A90****	200
0.0068	13.0	11.0	5.0	10.0	0.6	CB24682-3A40****	500	0.15	26.5	22.0	12.0	22.5	0.8	CB24154-3A90****	200
0.0082	13.0	12.0	6.0	10.0	0.6	CB24822-3A40****	500	0.18	26.5	22.0	12.0	22.5	0.8	CB24184-3A90****	200
0.0100	13.0	12.0	6.0	10.0	0.6	CB24103-3A40****	500	0.068	32.0	18.0	9.0	27.5	0.8	CB24683-3AB0****	500
0.0022	18.0	11.0	5.0	15.0	0.8	CB24222-3A60****	500	0.082	32.0	18.0	9.0	27.5	0.8	CB24823-3AB0****	500
0.0027	18.0	11.0	5.0	15.0	0.8	CB24272-3A60****	500	0.10	32.0	18.0	9.0	27.5	0.8	CB24104-3AB0****	500
0.0033	18.0	11.0	5.0	15.0	0.8	CB24332-3A60****	500	0.12	32.0	18.0	9.0	27.5	0.8	CB24124-3AB0****	500
0.0039	18.0	11.0	5.0	15.0	0.8	CB24392-3A60****	500	0.15	32.0	20.0	11.0	27.5	0.8	CB24154-3AB0****	200
0.0047	18.0	11.0	5.0	15.0	0.8	CB24472-3A60****	500	0.18	32.0	20.0	11.0	27.5	0.8	CB24184-3AB0****	200
0.0056	18.0	11.0	5.0	15.0	0.8	CB24562-3A60****	500	0.22	32.0	22.0	13.0	27.5	0.8	CB24224-3AB0****	100
0.0068	18.0	11.0	5.0	15.0	0.8	CB24682-3A60****	500	0.27	32.0	25.0	14.0	27.5	0.8	CB24274-3AB0****	100
0.0082	18.0	11.0	5.0	15.0	0.8	CB24822-3A60****	500	0.33	32.0	28.0	14.0	27.5	0.8	CB24334-3AB0****	100
0.010	18.0	11.0	5.0	15.0	0.8	CB24103-3A60****	500	0.39	32.0	28.0	17.0	27.5	0.8	CB24394-3AB0****	50
0.012	18.0	11.0	5.0	15.0	0.8	CB24123-3A60****	500	0.47	32.0	33.0	18.0	27.5	0.8	CB24474-3AB0****	50
0.015	18.0	11.0	5.0	15.0	0.8	CB24153-3A60****	500	0.56	32.0	33.0	18.0	27.5	0.8	CB24564-3AB0****	50
0.018	18.0	12.0	6.0	15.0	0.8	CB24183-3A60****	500	0.68	32.0	37.0	22.0	27.5	0.8	CB24684-3AB0****	50
0.022	18.0	12.0	6.0	15.0	0.8	CB24223-3A60****	500								

备注:

“-”: 客户要求的容量偏差

“\*\*\*\*”: 引线加工和包装代码 (见 15 页表 4)

MOQ: 最小订单量

“-”=custom's capacitor tolerance code, J=±5%, K=±10%, M=±20%

“\*\*\*\*”= Lead form and packing code (refer to table 4 in page 15)

MOQ = Minimum order quantity



◆ 产品尺寸: Product Dimension:

1600Vdc (600Vac)																
C (μF)	W	H	T	P	d	产品代码 Part number	MOQ	C (μF)	W	H	T	P	d	产品代码 Part number	MOQ	
0.00047	13.0	9.0	4.0	10.0	0.6	CB24471-3C40****	500	0.0047	18.0	11.0	5.0	15.0	0.8	CB24472-3C60****	500	
0.00056	13.0	9.0	4.0	10.0	0.6	CB24561-3C40****	500	0.0056	18.0	11.0	5.0	15.0	0.8	CB24562-3C60****	500	
0.00068	13.0	9.0	4.0	10.0	0.6	CB24681-3C40****	500	0.0068	18.0	11.0	5.0	15.0	0.8	CB24682-3C60****	500	
0.00075	13.0	9.0	4.0	10.0	0.6	CB24751-3C40****	500	0.0075	18.0	11.0	5.0	15.0	0.8	CB24752-3C60****	500	
0.00082	13.0	9.0	4.0	10.0	0.6	CB24821-3C40****	500	0.0082	18.0	12.0	6.0	15.0	0.8	CB24822-3C60****	500	
0.0010	13.0	9.0	4.0	10.0	0.6	CB24102-3C40****	500	0.010	18.0	12.0	6.0	15.0	0.8	CB24103-3C60****	500	
0.0012	13.0	9.0	4.0	10.0	0.6	CB24122-3C40****	500	0.012	18.0	12.0	6.0	15.0	0.8	CB24123-3C60****	500	
0.0015	13.0	9.0	4.0	10.0	0.6	CB24152-3C40****	500	0.015	18.0	13.5	7.5	15.0	0.8	CB24153-3C60****	500	
0.0018	13.0	9.0	4.0	10.0	0.6	CB24182-3C40****	500	0.018	18.0	13.5	7.5	15.0	0.8	CB24183-3C60****	500	
0.0022	13.0	11.0	5.0	10.0	0.6	CB24222-3C40****	500	0.022	18.0	14.5	8.5	15.0	0.8	CB24223-3C60****	500	
0.0027	13.0	11.0	5.0	10.0	0.6	CB24272-3C40****	500	0.027	18.0	16.0	10.0	15.0	0.8	CB24273-3C60****	500	
0.0033	13.0	11.0	5.0	10.0	0.6	CB24332-3C40****	500	0.033	18.0	19.0	11.0	15.0	0.8	CB24333-3C60****	200	
0.0039	13.0	12.0	6.0	10.0	0.6	CB24392-3C40****	500	0.039	18.0	19.0	11.0	15.0	0.8	CB24393-3C60****	200	
0.0047	13.0	12.0	6.0	10.0	0.6	CB24472-3C40****	500	0.015	26.5	15.0	6.0	22.5	0.8	CB24153-3C90****	500	
0.00068	18.0	11.0	5.0	15.0	0.8	CB24681-3C60****	500	0.018	26.5	15.0	6.0	22.5	0.8	CB24183-3C90****	500	
0.00075	18.0	11.0	5.0	15.0	0.8	CB24751-3C60****	500	0.022	26.5	15.0	6.0	22.5	0.8	CB24223-3C90****	500	
0.00082	18.0	11.0	5.0	15.0	0.8	CB24821-3C60****	500	0.027	26.5	16.0	7.0	22.5	0.8	CB24273-3C90****	500	
0.0010	18.0	11.0	5.0	15.0	0.8	CB24102-3C60****	500	0.033	26.5	17.0	8.5	22.5	0.8	CB24333-3C90****	500	
0.0012	18.0	11.0	5.0	15.0	0.8	CB24122-3C60****	500	0.039	26.5	17.0	8.5	22.5	0.8	CB24393-3C90****	500	
0.0015	18.0	11.0	5.0	15.0	0.8	CB24152-3C60****	500	0.047	26.5	18.5	10.0	22.5	0.8	CB24473-3C90****	200	
0.0018	18.0	11.0	5.0	15.0	0.8	CB24182-3C60****	500	0.056	26.5	18.5	10.0	22.5	0.8	CB24563-3C90****	200	
0.0022	18.0	11.0	5.0	15.0	0.8	CB24222-3C60****	500	0.068	26.5	20.0	11.0	22.5	0.8	CB24683-3C90****	200	
0.0027	18.0	11.0	5.0	15.0	0.8	CB24272-3C60****	500	0.075	26.5	20.0	11.0	22.5	0.8	CB24753-3C90****	200	
0.0033	18.0	11.0	5.0	15.0	0.8	CB24332-3C60****	500	0.082	26.5	22.0	12.0	22.5	0.8	CB24823-3C90****	200	
0.0039	18.0	11.0	5.0	15.0	0.8	CB24392-3C60****	500									

备注:

“-”: 客户要求的容量偏差

“\*\*\*\*”: 引线加工和包装代码 (见 15 页表 4)

MOQ: 最小订单量

“-”=custom's capacitor tolerance code, J=±5%, K=±10%, M=±20%

“\*\*\*\*”= Lead form and packing code (refer to table 4 in page 15)

MOQ = Minimum order quantity





# CBB24

CBB24 series

◆ 产品尺寸: **Product Dimension:**

2000Vdc (700Vac)															
C ( $\mu$ F)	W	H	T	P	d	产品代码 Part number	MOQ	C ( $\mu$ F)	W	H	T	P	d	产品代码 Part number	MOQ
0.00047	13.0	9.0	4.0	10.0	0.6	CB24471-3D40****	500	0.0047	18.0	11.0	5.0	15.0	0.8	CB24472-3D60****	500
0.00056	13.0	9.0	4.0	10.0	0.6	CB24561-3D40****	500	0.0056	18.0	12.0	6.0	15.0	0.8	CB24562-3D60****	500
0.00068	13.0	9.0	4.0	10.0	0.6	CB24681-3D4S****	500	0.0068	18.0	12.0	6.0	15.0	0.8	CB24682-3D60****	500
0.00075	13.0	9.0	4.0	10.0	0.6	CB24751-3D40****	500	0.0075	18.0	13.5	7.5	15.0	0.8	CB24752-3D60****	500
0.00082	13.0	9.0	4.0	10.0	0.6	CB24821-3D40****	500	0.0082	18.0	13.5	7.5	15.0	0.8	CB24822-3D60****	500
0.00100	13.0	9.0	4.0	10.0	0.6	CB24102-3D40****	500	0.010	18.0	13.5	7.5	15.0	0.8	CB24103-3D60****	500
0.00120	13.0	11.0	5.0	10.0	0.6	CB24122-3D40****	500	0.012	18.0	14.5	8.5	15.0	0.8	CB24123-3D60****	500
0.00150	13.0	11.0	5.0	10.0	0.6	CB24152-3D40****	500	0.015	18.0	16.0	10.0	15.0	0.8	CB24153-3D60****	500
0.00160	13.0	11.0	5.0	10.0	0.6	CB24162-3D40****	500	0.018	18.0	19.0	11.0	15.0	0.8	CB24183-3D60****	200
0.00180	13.0	11.0	5.0	10.0	0.6	CB24182-3D40****	500	0.022	18.0	19.0	11.0	15.0	0.8	CB24223-3D60****	200
0.00220	13.0	11.0	5.0	10.0	0.6	CB24222-3D40****	500	0.0033	26.5	15.0	6.0	22.5	0.8	CB24332-3D90****	500
0.00270	13.0	12.0	6.0	10.0	0.6	CB24272-3D40****	500	0.0039	26.5	15.0	6.0	22.5	0.8	CB24392-3D90****	500
0.00330	13.0	13.0	7.0	10.0	0.6	CB24332-3D40****	500	0.0047	26.5	15.0	6.0	22.5	0.8	CB24472-3D90****	500
0.00047	18.0	11.0	5.0	15.0	0.8	CB24471-3D60****	500	0.0056	26.5	15.0	6.0	22.5	0.8	CB24562-3D90****	500
0.00056	18.0	11.0	5.0	15.0	0.8	CB24561-3D60****	500	0.0068	26.5	15.0	6.0	22.5	0.8	CB24682-3D90****	500
0.00068	18.0	11.0	5.0	15.0	0.8	CB24681-3D6S****	500	0.0075	26.5	15.0	6.0	22.5	0.8	CB24752-3D90****	500
0.00075	18.0	11.0	5.0	15.0	0.8	CB24751-3D60****	500	0.0082	26.5	15.0	6.0	22.5	0.8	CB24822-3D90****	500
0.00082	18.0	11.0	5.0	15.0	0.8	CB24821-3D60****	500	0.010	26.5	15.0	6.0	22.5	0.8	CB24103-3D90****	500
0.0010	18.0	11.0	5.0	15.0	0.8	CB24102-3D60****	500	0.012	26.5	15.0	6.0	22.5	0.8	CB24123-3D90****	500
0.0012	18.0	11.0	5.0	15.0	0.8	CB24122-3D60****	500	0.015	26.5	15.0	6.0	22.5	0.8	CB24153-3D90****	500
0.0015	18.0	11.0	5.0	15.0	0.8	CB24152-3D60****	500	0.018	26.5	16.0	7.0	22.5	0.8	CB24183-3D90****	500
0.0018	18.0	11.0	5.0	15.0	0.8	CB24182-3D60****	500	0.022	26.5	17.0	8.5	22.5	0.8	CB24223-3D90****	500
0.0022	18.0	11.0	5.0	15.0	0.8	CB24222-3D60****	500	0.027	26.5	17.0	8.5	22.5	0.8	CB24273-3D90****	500
0.0027	18.0	11.0	5.0	15.0	0.8	CB24272-3D60****	500	0.033	26.5	18.5	10.0	22.5	0.8	CB24333-3D90****	200
0.0033	18.0	11.0	5.0	15.0	0.8	CB24332-3D60****	500	0.039	26.5	20.0	11.0	22.5	0.8	CB24393-3D90****	200
0.0039	18.0	11.0	5.0	15.0	0.8	CB24392-3D60****	500	0.047	26.5	22.0	12.0	22.5	0.8	CB24473-3D90****	200

备注:

“-”: 客户要求的容量偏差

“\*\*\*\*”: 引线加工和包装代码 (见 15 页表 4)

MOQ: 最小订单量

“-”=custom's capacitor tolerance code, J=±5%, K=±10%, M=±20%

“\*\*\*\*”= Lead form and packing code (refer to table 4 in page 15)

MOQ = Minimum order quantity