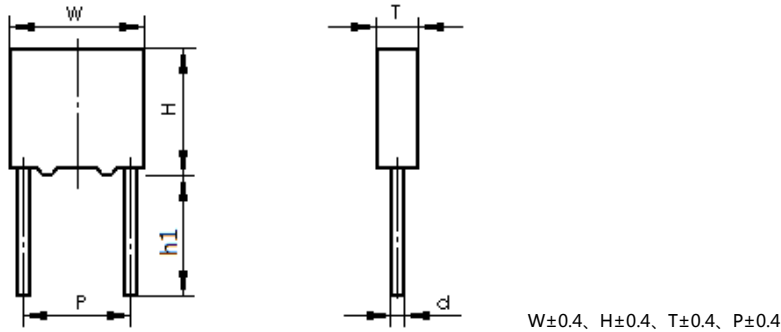


## CBB24M 型盒式金属化聚丙烯薄膜电容器 Metallized Polypropylene Film Capacitor (Box-Type)

### ◆ 外形尺寸图及产品结构 Outline Drawing and Capacitor Construction



### ◆ 特点及用途 Application and Feature

高频损耗小，内部温升小，耐高温，适用于高压、大电流的脉冲电路，谐振电路，高频交流负荷，电子照明（如电子镇流器、E-HID等）。

Low loss at high frequency, small inherent temperature rise, high temperature rang. Suitable for pulse applications with high A.C. voltage and high current, resonance circuit, high-frequency A.C. loads and electric lighting(i.e. Electric ballast, E-HID).

### ◆ 技术要求 Specifications

参照标准 Reference Standard	IEC 60384-17、GB 14579
气候类别 Climatic Category	40/125/56
工作温度范围 Operation Temperature Range	-40℃~125℃
额定温度 Rated Temperature	105℃
额定电压 Rated Voltage	305Vac/630Vdc、400Vac/1000Vdc、500Vac/1250Vdc、 600Vac/1400Vdc、700Vac/1600Vdc
电容量范围 Capacitance Range	0.00047μF~15.0μF
电容量偏差 Capacitance Tolerance	±5%(J)、±10%(K)、±20%(M) (20℃, 1kHz)
耐电压 Voltage Proof	$U=1.6U_R$ (20℃, 5s)
绝缘电阻 Insulation Resistance	$C_R \leq 0.33\mu F, IR \geq 100\ 000M\Omega$ $C_R > 0.33\mu F, IR \times C \geq 30\ 000s$ (20℃, 100Vdc, 1min)
损耗角正切 Dissipation Factor	$\leq 0.0010$ (1kHz, 20℃) $\leq 0.0020$ (10kHz, 20℃) ( $C_R \leq 1\mu F$ )
<p>说明：电容器的工作电压随温度上升而下降，在 105~125℃之间，以 105℃为基准，环境温度每上升 1℃，电容器的额定工作电压应降低 1.25%。 Note: The working voltage of the capacitor decreases as the temperature rises. between 105~125℃,take 105℃ as the base, the temperature rises 1℃,the rated working voltage of the capacitor decreases 1.25%.</p>	

### ◆ 最大电压脉冲斜率：Max dv/dt (V/μs)

额定电压 (Vac)	Max dv/dt (V/μs)			
	P=7.5	P=10.0	P=15.0	P=22.5
305	1300	1000	400	300
400	2800	2100	2000	900
500	3800	3000	2400	1200
600	6400	5800	4500	1800
700	/	9500	8000	/



**CBB24M**  
CBB24M series

◆ 产品尺寸: **Product Dimension:**

305Vac(630Vdc)																
C ( $\mu$ F)	W	H	T	P	d	产品代码 Part number	MOQ	C ( $\mu$ F)	W	H	T	P	d	产品代码 Part number	MOQ	
0.00047	10.5	8.5	3.5	7.5	0.6	CB24471-P23M****	1000	0.027	13.0	11.0	5.0	10.0	0.6	CB24273-P24M****	500	
0.00056	10.5	8.5	3.5	7.5	0.6	CB24561-P23M****	1000	0.033	13.0	11.0	5.0	10.0	0.6	CB24333-P24M****	500	
0.00068	10.5	8.5	3.5	7.5	0.6	CB24681-P23M****	1000	0.039	13.0	12.0	6.0	10.0	0.6	CB24393-P24M****	500	
0.00082	10.5	8.5	3.5	7.5	0.6	CB24821-P23M****	1000	0.047	13.0	12.0	6.0	10.0	0.6	CB24473-P24M****	500	
0.001	10.5	8.5	3.5	7.5	0.6	CB24102-P23M****	1000	0.027	18.0	11.0	5.0	15.0	0.8	CB24273-P26M****	500	
0.0012	10.5	8.5	3.5	7.5	0.6	CB24122-P23M****	1000	0.033	18.0	11.0	5.0	15.0	0.8	CB24333-P26M****	500	
0.0015	10.5	8.5	3.5	7.5	0.6	CB24152-P23M****	1000	0.039	18.0	11.0	5.0	15.0	0.8	CB24393-P26M****	500	
0.0018	10.5	8.5	3.5	7.5	0.6	CB24182-P23M****	1000	0.047	18.0	11.0	5.0	15.0	0.8	CB24473-P26M****	500	
0.0022	10.5	8.5	3.5	7.5	0.6	CB24222-P23M****	1000	0.056	18.0	11.0	5.0	15.0	0.8	CB24563-P26M****	500	
0.0027	10.5	8.5	3.5	7.5	0.6	CB24272-P23M****	1000	0.068	18.0	12.0	6.0	15.0	0.8	CB24683-P26M****	500	
0.0033	10.5	8.5	3.5	7.5	0.6	CB24332-P23M****	1000	0.082	18.0	12.0	6.0	15.0	0.8	CB24823-P26M****	500	
0.0039	10.5	8.5	3.5	7.5	0.6	CB24392-P23M****	1000	0.1	18.0	13.5	7.5	15.0	0.8	CB24104-P26M****	500	
0.0047	10.5	8.5	3.5	7.5	0.6	CB24472-P23M****	1000	0.12	18.0	13.5	7.5	15.0	0.8	CB24124-P26M****	200	
0.0056	10.5	8.5	3.5	7.5	0.6	CB24562-P23M****	1000	0.15	18.0	14.5	8.5	15.0	0.8	CB24154-P26M****	200	
0.0068	10.5	8.5	3.5	7.5	0.6	CB24682-P23M****	1000	0.18	18.0	16.0	10.0	15.0	0.8	CB24184-P26M****	500	
0.0082	10.5	9.0	4.0	7.5	0.6	CB24822-P23M****	1000	0.22	18.0	16.0	10.0	15.0	0.8	CB24224-P26M****	500	
0.01	10.5	9.0	4.0	7.5	0.6	CB24103-P23M****	1000	0.27	18.0	19.0	11.0	15.0	0.8	CB24274-P26M****	500	
0.012	10.5	11.0	5.0	7.5	0.6	CB24123-P23M****	1000	0.33	18.0	19.0	11.0	15.0	0.8	CB24334-P26M****	500	
0.015	10.5	11.0	5.0	7.5	0.6	CB24153-P23M****	1000	0.18	26.5	15.0	6.0	22.5	0.8	CB24184-P29M****	200	
0.018	10.5	11.0	5.0	7.5	0.6	CB24183-P23M****	1000	0.22	26.5	16.0	7.0	22.5	0.8	CB24224-P29M****	200	
0.022	10.5	12.0	6.0	7.5	0.6	CB24223-P23M****	1000	0.27	26.5	17.0	8.5	22.5	0.8	CB24274-P29M****	200	
0.027	10.5	12.0	6.0	7.5	0.6	CB24273-P23M****	1000	0.33	26.5	17.0	8.5	22.5	0.8	CB24334-P29M****	200	
0.01	13.0	8.5	3.5	10.0	0.6	CB24103-P24M****	500	0.39	26.5	18.5	10.0	22.5	0.8	CB24394-P29M****	200	
0.012	13.0	8.5	3.5	10.0	0.6	CB24123-P24M****	500	0.47	26.5	18.5	10.0	22.5	0.8	CB24474-P29M****	200	
0.015	13.0	9.0	4.0	10.0	0.6	CB24153-P24M****	500	0.56	26.5	20.0	11.0	22.5	0.8	CB24564-P29M****	200	
0.018	13.0	9.0	4.0	10.0	0.6	CB24183-P24M****	500	0.68	26.5	22.0	12.0	22.5	0.8	CB24684-P29M****	200	
0.022	13.0	11.0	5.0	10.0	0.6	CB24223-P24M****	500									

备注:

“-”: 客户要求的容量偏差

“\*\*\*\*”: 引线加工和包装代码 (见 15 页表 4)

MOQ: 最小订单量

“-”=custom's capacitor tolerance code, J=±5%, K=±10%, M=±20%

“\*\*\*\*”= Lead form and packing code (refer to table 4 in page 15)

MOQ = Minimum order quantity

◆ 产品尺寸: Product Dimension:

400Vac(1000Vdc)															
C ( $\mu$ F)	W	H	T	P	d	产品代码 Part number	MOQ	C ( $\mu$ F)	W	H	T	P	d	产品代码 Part number	MOQ
0.00047	10.5	8.5	3.5	7.5	0.6	CB24471-G23M****	1000	0.01	13.0	11.0	5.0	10.0	0.6	CB24103-G24M****	500
0.00056	10.5	8.5	3.5	7.5	0.6	CB24561-G23M****	1000	0.012	13.0	11.0	5.0	10.0	0.6	CB24123-G24M****	500
0.00068	10.5	8.5	3.5	7.5	0.6	CB24681-G23M****	1000	0.015	13.0	12.0	6.0	10.0	0.6	CB24153-G24M****	500
0.00082	10.5	8.5	3.5	7.5	0.6	CB24821-G23M****	1000	0.018	13.0	12.0	6.0	10.0	0.6	CB24183-G24M****	500
0.0010	10.5	8.5	3.5	7.5	0.6	CB24102-G23M****	1000	0.022	18.0	11.0	5.0	15.0	0.8	CB24223-G26M****	500
0.0012	10.5	8.5	3.5	7.5	0.6	CB24122-G23M****	1000	0.027	18.0	11.0	5.0	15.0	0.8	CB24273-G26M****	500
0.0015	10.5	8.5	3.5	7.5	0.6	CB24152-G23M****	1000	0.033	18.0	12.0	6.0	15.0	0.8	CB24333-G26M****	500
0.0018	10.5	8.5	3.5	7.5	0.6	CB24182-G23M****	1000	0.039	18.0	12.0	6.0	15.0	0.8	CB24393-G26M****	500
0.0022	10.5	8.5	3.5	7.5	0.6	CB24222-G23M****	1000	0.047	18.0	13.5	7.5	15.0	0.8	CB24473-G26M****	500
0.0027	10.5	8.5	3.5	7.5	0.6	CB24272-G23M****	1000	0.056	18.0	13.5	7.5	15.0	0.8	CB24563-G26M****	500
0.0033	10.5	9.0	4.0	7.5	0.6	CB24332-G23M****	1000	0.068	18.0	14.5	8.5	15.0	0.8	CB24683-G26M****	500
0.0039	10.5	11.0	5.0	7.5	0.6	CB24392-G23M****	1000	0.082	18.0	16.0	10.0	15.0	0.8	CB24823-G26M****	500
0.0047	10.5	11.0	5.0	7.5	0.6	CB24472-G23M****	1000	0.1	18.0	16.0	10.0	15.0	0.8	CB24104-G26M****	500
0.0056	10.5	11.0	5.0	7.5	0.6	CB24562-G23M****	1000	0.12	18.0	19.0	11.0	15.0	0.8	CB24124-G26M****	200
0.0068	10.5	11.0	5.0	7.5	0.6	CB24682-G23M****	1000	0.15	18.0	19.0	11.0	15.0	0.8	CB24154-G26M****	200
0.0082	10.5	12.0	6.0	7.5	0.6	CB24822-G23M****	1000	0.068	26.5	15.0	6.0	22.5	0.8	CB24683-G29M****	500
0.0100	10.5	12.0	6.0	7.5	0.6	CB24103-G23M****	1000	0.082	26.5	15.0	6.0	22.5	0.8	CB24823-G29M****	500
0.0033	13.0	8.5	3.5	10.0	0.6	CB24332-G24M****	500	0.1	26.5	16.0	7.0	22.5	0.8	CB24104-G29M****	500
0.0039	13.0	9.0	4.0	10.0	0.6	CB24392-G24M****	500	0.12	26.5	17.0	8.5	22.5	0.8	CB24124-G29M****	500
0.0047	13.0	9.0	4.0	10.0	0.6	CB24472-G24M****	500	0.15	26.5	17.0	8.5	22.5	0.8	CB24154-G29M****	500
0.0056	13.0	11.0	5.0	10.0	0.6	CB24562-G24M****	500	0.18	26.5	18.5	10.0	22.5	0.8	CB24184-G29M****	200
0.0068	13.0	11.0	5.0	10.0	0.6	CB24682-G24M****	500	0.22	26.5	20.0	11.0	22.5	0.8	CB24224-G29M****	200
0.0082	13.0	11.0	5.0	10.0	0.6	CB24822-G24M****	500	0.27	26.5	22.0	12.0	22.5	0.8	CB24274-G29M****	200

备注:

“-”: 客户要求的容量偏差

“\*\*\*\*”: 引线加工和包装代码 (见 15 页表 4)

MOQ: 最小订单量

“-”=custom's capacitor tolerance code, J=±5%, K=±10%, M=±20%

“\*\*\*\*”= Lead form and packing code (refer to table 4 in page 15)

MOQ = Minimum order quantity



# CBB24M

## CBB24M series

### ◆ 产品尺寸: Product Dimension:

500Vac(1250Vdc)																
C ( $\mu$ F)	W	H	T	P	d	产品代码 Part number	MOQ	C ( $\mu$ F)	W	H	T	P	d	产品代码 Part number	MOQ	
0.00047	10.5	8.5	3.5	7.5	0.6	CB24471-H23M****	1000	0.0082	13.0	11.0	5.0	10.0	0.6	CB24822-H24M****	500	
0.00056	10.5	8.5	3.5	7.5	0.6	CB24561-H23M****	1000	0.01	13.0	12.0	6.0	10.0	0.6	CB24103-H24M****	500	
0.00068	10.5	8.5	3.5	7.5	0.6	CB24681-H23M****	1000	0.012	13.0	12.0	6.0	10.0	0.6	CB24123-H24M****	500	
0.00082	10.5	8.5	3.5	7.5	0.6	CB24821-H23M****	1000	0.012	18.0	11.0	5.0	15.0	0.8	CB24123-H26M****	500	
0.0010	10.5	8.5	3.5	7.5	0.6	CB24102-H23M****	1000	0.015	18.0	11.0	5.0	15.0	0.8	CB24153-H26M****	500	
0.0012	10.5	8.5	3.5	7.5	0.6	CB24122-H23M****	1000	0.018	18.0	12.0	6.0	15.0	0.8	CB24183-H26M****	500	
0.0015	10.5	8.5	3.5	7.5	0.6	CB24152-H23M****	1000	0.022	18.0	12.0	6.0	15.0	0.8	CB24223-H26M****	500	
0.0018	10.5	8.5	3.5	7.5	0.6	CB24182-H23M****	1000	0.027	18.0	13.5	7.5	15.0	0.8	CB24273-H26M****	500	
0.0022	10.5	8.5	3.5	7.5	0.6	CB24222-H23M****	1000	0.033	18.0	13.5	7.5	15.0	0.8	CB24333-H26M****	500	
0.0027	10.5	8.5	3.5	7.5	0.6	CB24272-H23M****	1000	0.039	18.0	14.5	8.5	15.0	0.8	CB24393-H26M****	500	
0.0033	10.5	9.0	4.0	7.5	0.6	CB24332-H23M****	1000	0.047	18.0	16.0	10.0	15.0	0.8	CB24473-H26M****	500	
0.0039	10.5	11.0	5.0	7.5	0.6	CB24392-H23M****	1000	0.056	18.0	16.0	10.0	15.0	0.8	CB24563-H26M****	500	
0.0047	10.5	11.0	5.0	7.5	0.6	CB24472-H23M****	1000	0.068	18.0	19.0	11.0	15.0	0.8	CB24683-H26M****	200	
0.0056	10.5	11.0	5.0	7.5	0.6	CB24562-H23M****	1000	0.082	18.0	19.0	11.0	15.0	0.8	CB24823-H26M****	200	
0.0068	10.5	11.0	5.0	7.5	0.6	CB24682-H23M****	1000	0.039	26.5	15.0	6.0	22.5	0.8	CB24393-H29M****	500	
0.0082	10.5	12.0	6.0	7.5	0.6	CB24822-H23M****	1000	0.047	26.5	16.0	7.0	22.5	0.8	CB24473-H29M****	500	
0.0100	10.5	12.0	6.0	7.5	0.6	CB24103-H23M****	1000	0.056	26.5	16.0	7.0	22.5	0.8	CB24563-H29M****	500	
0.0033	13.0	8.5	3.5	10.0	0.6	CB24332-H24M****	500	0.068	26.5	17.0	8.5	22.5	0.8	CB24683-H29M****	500	
0.0039	13.0	9.0	4.0	10.0	0.6	CB24392-H24M****	500	0.082	26.5	17.0	8.5	22.5	0.8	CB24823-H29M****	500	
0.0047	13.0	9.0	4.0	10.0	0.6	CB24472-H24M****	500	0.1	26.5	18.5	10.0	22.5	0.8	CB24104-H29M****	200	
0.0056	13.0	11.0	5.0	10.0	0.6	CB24562-H24M****	500	0.12	26.5	20.0	11.0	22.5	0.8	CB24124-H29M****	200	
0.0068	13.0	11.0	5.0	10.0	0.6	CB24682-H24M****	500	0.15	26.5	22.0	12.0	22.5	0.8	CB24154-H29M****	200	

备注:

“-”: 客户要求的容量偏差

“\*\*\*\*”: 引线加工和包装代码 (见 15 页表 4)

MOQ: 最小订单量

“-”=custom's capacitor tolerance code, J=±5%, K=±10%, M=±20%

“\*\*\*\*”= Lead form and packing code (refer to table 4 in page 15)

MOQ = Minimum order quantity

◆ 产品尺寸: Product Dimension:

600Vac(1400Vdc)															
C (μF)	W	H	T	P	d	产品代码 Part number	MOQ	C (μF)	W	H	T	P	d	产品代码 Part number	MOQ
0.00047	10.5	8.5	3.5	7.5	0.6	CB24471-U13M****	1000	0.0068	13.0	11.0	5.0	10.0	0.6	CB24682-U14M****	500
0.00056	10.5	8.5	3.5	7.5	0.6	CB24561-U13M****	1000	0.0082	13.0	12.0	6.0	10.0	0.6	CB24822-U14M****	500
0.00068	10.5	8.5	3.5	7.5	0.6	CB24681-U13M****	1000	0.0082	18.0	11.0	5.0	15.0	0.8	CB24822-U16M****	500
0.00082	10.5	8.5	3.5	7.5	0.6	CB24821-U13M****	1000	0.01	18.0	12.0	6.0	15.0	0.8	CB24103-U16M****	500
0.0010	10.5	8.5	3.5	7.5	0.6	CB24102-U13M****	1000	0.012	18.0	12.0	6.0	15.0	0.8	CB24123-U16M****	500
0.0012	10.5	8.5	3.5	7.5	0.6	CB24122-U13M****	1000	0.015	18.0	13.5	7.5	15.0	0.8	CB24153-U16M****	500
0.0015	10.5	8.5	3.5	7.5	0.6	CB24152-U13M****	1000	0.018	18.0	13.5	7.5	15.0	0.8	CB24183-U16M****	500
0.0018	10.5	8.5	3.5	7.5	0.6	CB24182-U13M****	1000	0.022	18.0	14.5	8.5	15.0	0.8	CB24223-U16M****	500
0.0022	10.5	9.0	4.0	7.5	0.6	CB24222-U13M****	1000	0.027	18.0	16.0	10.0	15.0	0.8	CB24273-U16M****	500
0.0027	10.5	11.0	5.0	7.5	0.6	CB24272-U13M****	1000	0.033	18.0	16.0	10.0	15.0	0.8	CB24333-U16M****	500
0.0033	10.5	11.0	5.0	7.5	0.6	CB24332-U13M****	1000	0.039	18.0	19.0	11.0	15.0	0.8	CB24393-U16M****	200
0.0039	10.5	11.0	5.0	7.5	0.6	CB24392-U13M****	1000	0.047	18.0	19.0	11.0	15.0	0.8	CB24473-U16M****	200
0.0047	10.5	11.0	5.0	7.5	0.6	CB24472-U13M****	1000	0.027	26.5	15.0	6.0	22.5	0.8	CB24273-U19M****	500
0.0056	10.5	12.0	6.0	7.5	0.6	CB24562-U13M****	1000	0.033	26.5	16.0	7.0	22.5	0.8	CB24333-U19M****	500
0.0068	10.5	12.0	6.0	7.5	0.6	CB24682-U13M****	1000	0.039	26.5	16.0	7.0	22.5	0.8	CB24393-U19M****	500
0.0022	13.0	8.5	3.5	10.0	0.6	CB24222-U14M****	500	0.047	26.5	17.0	8.5	22.5	0.8	CB24473-U19M****	500
0.0027	13.0	9.0	4.0	10.0	0.6	CB24272-U14M****	500	0.056	26.5	17.0	8.5	22.5	0.8	CB24563-U19M****	500
0.0033	13.0	9.0	4.0	10.0	0.6	CB24332-U14M****	500	0.068	26.5	18.5	10.0	22.5	0.8	CB24683-U19M****	200
0.0039	13.0	11.0	5.0	10.0	0.6	CB24392-U14M****	500	0.082	26.5	20.0	11.0	22.5	0.8	CB24823-U19M****	200
0.0047	13.0	11.0	5.0	10.0	0.6	CB24472-U14M****	500	0.1	26.5	22.0	12.0	22.5	0.8	CB24104-U19M****	200
0.0056	13.0	11.0	5.0	10.0	0.6	CB24562-U14M****	500								

700Vac(1600Vdc)															
C (μF)	W	H	T	P	d	产品代码 Part number	MOQ	C (μF)	W	H	T	P	d	产品代码 Part number	MOQ
0.0010	13.0	8.5	3.5	10.0	0.6	CB24102-V14M****	500	0.0047	18.0	11.0	5.0	15.0	0.8	CB24472-V16M****	500
0.0012	13.0	8.5	3.5	10.0	0.6	CB24122-V14M****	500	0.0056	18.0	11.0	5.0	15.0	0.8	CB24562-V16M****	500
0.0015	13.0	9.0	4.0	10.0	0.6	CB24152-V14M****	500	0.0068	18.0	11.0	5.0	15.0	0.8	CB24682-V16M****	500
0.0018	13.0	9.0	4.0	10.0	0.6	CB24182-V14M****	500	0.0082	18.0	12.0	6.0	15.0	0.8	CB24822-V16M****	500
0.0022	13.0	9.0	4.0	10.0	0.6	CB24222-V14M****	500	0.0100	18.0	12.0	6.0	15.0	0.8	CB24103-V16M****	500
0.0027	13.0	9.0	4.0	10.0	0.6	CB24272-V14M****	500	0.0120	18.0	12.0	6.0	15.0	0.8	CB24123-V16M****	500
0.0033	13.0	11.0	5.0	10.0	0.6	CB24332-V14M****	500	0.0150	18.0	13.5	7.5	15.0	0.8	CB24153-V16M****	500
0.0039	13.0	11.0	5.0	10.0	0.6	CB24392-V14M****	500	0.0180	18.0	14.5	8.5	15.0	0.8	CB24183-V16M****	500
0.0047	13.0	12.0	6.0	10.0	0.6	CB24472-V14M****	500	0.0220	18.0	14.5	8.5	15.0	0.8	CB24223-V16M****	500
0.0056	13.0	12.0	6.0	10.0	0.6	CB24562-V14M****	500	0.0270	18.0	16.0	10.0	15.0	0.8	CB24273-V16M****	500
								0.0330	18.0	16.0	10.0	15.0	0.8	CB24333-V16M****	500

备注:

“-”: 客户要求的容量偏差

“\*\*\*\*”: 引线加工和包装代码 (见 15 页表 4)

MOQ: 最小订单量

“-”=custom's capacitor tolerance code, J=±5%, K=±10%, M=±20%

“\*\*\*\*”= Lead form and packing code (refer to table 4 in page 15)

MOQ = Minimum order quantity