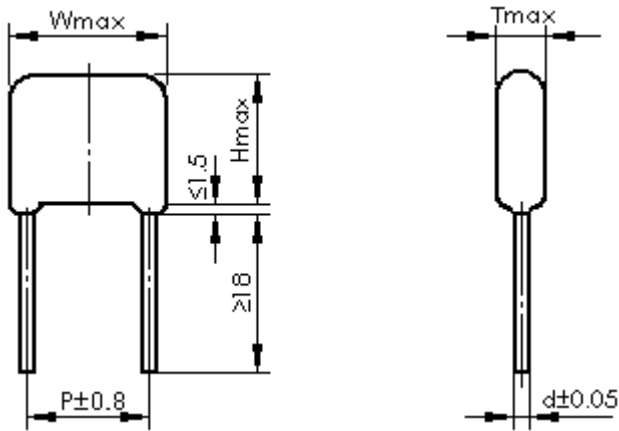


CBB22 型小型化金属化聚丙烯薄膜电容器（浸渍型） Miniaturized Metallized Polypropylene Film Capacitor (Dipped)

◆ 外形尺寸图及产品结构 Outline Drawing and Capacitor Construction



◆ 特点及用途 Application and Feature

耐压高、绝缘电阻高、体积小、内部温升小，适用于直流、交流、高频和脉冲电路。

High-voltage proof, high insulation resistance, small size, small inherent temperature rise. Suitable for the high frequency, DC, AC, pulse circuits.

◆ 技术要求 Specifications

参照标准 Reference Standard	GB/T 10190、IEC 60384-16
气候类别 Climatic Category	40/105/21
工作温度范围 Operation Temperature Range	-40℃~105℃
额定温度 Rated Temperature	85℃
额定电压 Rated Voltage	250Vdc、400Vdc/450Vdc、520Vdc、630Vdc
电容量范围 Capacitance Range	0.01μF~3.3μF
电容量偏差 Capacitance Tolerance	±5%(J)、±10%(K)、±20%(M) (20℃, 1kHz)
耐电压 Voltage Proof	U=1.5UR (20℃, 5s)
绝缘电阻 Insulation Resistance	CR≤0.33μF, IR≥100 000MΩ CR>0.33μF, IR×C≥30 000s (20℃, 100Vdc, 1min)
损耗角正切 Dissipation Factor	≤0.0010 (1kHz, 20℃)

说明：电容器的工作电压随温度上升而下降，在 85~105℃之间，以 85℃为基准，环境温度每上升 1℃，电容器的额定工作电压应降低 1.25%。

Note: The working voltage of the capacitor decreases as the temperature rises. between 85~105℃,take 85℃ as the base, the temperature rises 1℃,the rated working voltage of the capacitor decreases 1.25%.

◆ 最大电压脉冲斜率：Max dv/dt (V/μs)

额定电压 (V)	dv/dt(V/μs)			
	P=7.5mm	P=10.0mm	P=15.0mm	P=22.5mm
250	240	185	120	55
400	300	230	180	90
520	360	290	220	110
630	480	380	250	140



CBB22

CBB22 series

◆ 产品尺寸: Product Dimension:

250Vdc								400Vdc/420Vdc [▲] /450Vdc [▲]							
C (μF)	W	H	T	P	d	产品代码 Part number	MOQ	C (μF)	W	H	T	P	d	产品代码 Part number	MOQ
0.047	9.8	7.3	3.3	7.5	0.6	CB22473-2E30****	1000	0.033	9.8	7.4	3.3	7.5	0.6	CB22333-2G30****	1000
0.0560	9.8	7.5	3.4	7.5	0.6	CB22563-2E30****	1000	0.039	9.8	7.6	3.6	7.5	0.6	CB22393-2G30****	1000
0.068	9.8	7.8	3.7	7.5	0.6	CB22683-2E30****	1000	0.047	9.8	7.9	3.9	7.5	0.6	CB22473-2G30****	1000
0.082	9.8	8.1	4.1	7.5	0.6	CB22823-2E30****	1000	0.056	9.8	8.3	4.2	7.5	0.6	CB22563-2G30****	1000
0.1	9.8	9.0	4.2	7.5	0.6	CB22104-2E30****	1000	0.068	9.8	8.7	4.6	7.5	0.6	CB22683-2G30****	1000
0.12	9.8	9.4	4.6	7.5	0.6	CB22124-2E30****	1000	0.082	9.8	9.1	5.0	7.5	0.6	CB22823-2G30****	1000
0.15	9.8	10.4	4.8	7.5	0.6	CB22154-2E30****	1000	0.1	9.8	9.6	5.5	7.5	0.6	CB22104-2G30****	1000
0.056	12.3	7.7	3.7	10.0	0.6	CB22563-2E40****	500	0.047	12.3	8.3	4.3	10.0	0.6	CB22473-2G40****	500
0.068	12.3	8.0	4.0	10.0	0.6	CB22683-2E40****	500	0.056	12.3	7.7	3.7	10.0	0.6	CB22563-2G40****	500
0.082	12.3	8.4	4.4	10.0	0.6	CB22823-2E40****	500	0.068	12.3	8.0	4.0	10.0	0.6	CB22683-2G40****	500
0.1	12.3	7.9	3.9	10.0	0.6	CB22104-2E40****	500	0.082	12.3	8.4	4.4	10.0	0.6	CB22823-2G40****	500
0.12	12.3	8.8	3.9	10.0	0.6	CB22124-2E40****	500	0.1	12.3	9.3	4.5	10.0	0.6	CB22104-2G40****	500
0.15	12.3	9.7	4.1	10.0	0.6	CB22154-2E40****	500	0.12	12.3	10.3	4.6	10.0	0.6	CB22124-2G40****	500
0.18	12.3	10.1	4.5	10.0	0.6	CB22184-2E40****	500	0.15	12.3	10.8	5.2	10.0	0.6	CB22154-2G40****	500
0.22	12.3	10.6	5.0	10.0	0.6	CB22224-2E40****	500	0.18	12.3	11.3	5.7	10.0	0.6	CB22184-2G40****	500
0.22	17.5	9.2	4.3	15.0	0.6	CB22224-2E60****	500	0.1	17.5	10.1	4.4	15.0	0.6	CB22104-2G60****	500
0.27	17.5	10.2	4.5	15.0	0.6	CB22274-2E60****	500	0.12	17.5	10.5	4.7	15.0	0.6	CB22124-2G60****	500
0.33	17.5	10.6	4.9	15.0	0.6	CB22334-2E60****	500	0.15	17.5	10.0	4.3	15.0	0.6	CB22154-2G60****	500
0.39	17.5	11.1	5.4	15.0	0.6	CB22394-2E60****	500	0.18	17.5	10.3	4.6	15.0	0.6	CB22184-2G60****	500
0.47	17.5	11.6	5.9	15.0	0.6	CB22474-2E60****	500	0.22	17.5	10.8	5.1	15.0	0.6	CB22224-2G60****	500
0.56	17.5	13.2	5.9	15.0	0.6	CB22564-2E60****	500	0.27	17.5	11.3	5.6	15.0	0.6	CB22274-2G60****	500
0.68	17.5	13.8	6.5	15.0	0.8	CB22684-2E60****	500	0.33	17.5	13.0	5.7	15.0	0.6	CB22334-2G60****	500
0.82	17.5	14.5	7.2	15.0	0.8	CB22824-2E60****	500	0.39	17.5	13.5	6.2	15.0	0.8	CB22394-2G60****	500
1	17.5	15.3	8.1	15.0	0.8	CB22105-2E60****	500	0.47	17.5	14.1	6.8	15.0	0.8	CB22474-2G60****	500
1	25.5	13.7	6.4	22.5	0.8	CB22105-2E90****	500	0.56	17.5	14.8	7.5	15.0	0.8	CB22564-2G60****	500
1.2	25.5	14.4	7.1	22.5	0.8	CB22125-2E90****	500	0.68	17.5	15.6	8.4	15.0	0.8	CB22684-2G60****	500
1.5	25.5	15.3	8.0	22.5	0.8	CB22155-2E90****	500	0.82	17.5	16.5	9.3	15.0	0.8	CB22824-2G60****	500
1.8	25.5	17.1	8.2	22.5	0.8	CB22185-2E90****	500	0.47	25.5	12.8	5.6	22.5	0.8	CB22474-2G90****	500
2.2	25.5	18.1	9.2	22.5	0.8	CB22225-2E90****	500	0.56	25.5	13.4	6.1	22.5	0.8	CB22564-2G90****	500
2.7	25.5	19.2	10.4	22.5	0.8	CB22275-2E90****	200	0.68	25.5	14.0	6.7	22.5	0.8	CB22684-2G90****	500
3.3	25.5	20.5	11.7	22.5	0.8	CB22335-2E90****	200	0.82	25.5	14.7	7.5	22.5	0.8	CB22824-2G90****	500
								1	25.5	16.6	7.7	22.5	0.8	CB22105-2G90****	500
								1.2	25.5	17.4	8.6	22.5	0.8	CB22125-2G90****	500
								1.5	25.5	18.6	9.7	22.5	0.8	CB22155-2G90****	500

备注:

“-”: 客户要求的容量偏差

“****”: 引线加工和包装代码 (见 15 页表 4)

“▲”: 额定电压为 420Vdc 时, 第 9~10 位为 3R

“▲”: 额定电压为 450Vdc 时, 第 9~10 位为 2S

MOQ: 最小订单量

“-”=custom's capacitor tolerance code, J=±5%, K=±10%, M=±20%

“****”= Lead form and packing code (refer to table 4 in page 15)

“▲”=when the rated voltage is 420Vdc, the digit 9~10 is 3R

“▲”=when the rated voltage is 450Vdc, the digit 9~10 is 2S

MOQ = Minimum order quantity

◆ 产品尺寸: Product Dimension:

520Vdc								630Vdc							
C (μF)	W	H	T	P	d	产品代码 Part number	MOQ	C (μF)	W	H	T	P	d	产品代码 Part number	MOQ
0.015	9.8	7.6	3.6	7.5	0.6	CB22153-2T30****	1000	0.01	9.8	7.8	3.8	7.5	0.6	CB22103-2J30****	1000
0.022	9.8	7.7	3.6	7.5	0.6	CB22223-2T30****	1000	0.012	9.8	7.7	3.7	7.5	0.6	CB22123-2J30****	1000
0.027	9.8	8.5	3.7	7.5	0.6	CB22273-2T30****	1000	0.015	9.8	7.7	3.7	7.5	0.6	CB22153-2J30****	1000
0.033	9.8	8.9	4.1	7.5	0.6	CB22333-2T30****	1000	0.018	9.8	7.9	3.8	7.5	0.6	CB22183-2J30****	1000
0.039	9.8	9.2	4.4	7.5	0.6	CB22393-2T30****	1000	0.022	9.8	8.2	4.2	7.5	0.6	CB22223-2J30****	1000
0.047	9.8	9.6	4.8	7.5	0.6	CB22473-2T30****	1000	0.027	9.8	9.1	4.3	7.5	0.6	CB22273-2J30****	1000
0.056	9.8	10.1	5.2	7.5	0.6	CB22563-2T30****	1000	0.033	9.8	9.6	4.7	7.5	0.6	CB22333-2J30****	1000
0.033	12.3	7.7	3.7	10.0	0.6	CB22333-2T40****	500	0.022	12.3	8.1	4.0	10.0	0.6	CB22223-2J40****	500
0.039	12.3	8.0	4.0	10.0	0.6	CB22393-2T40****	500	0.027	12.3	7.9	3.9	10.0	0.6	CB22273-2J40****	500
0.047	12.3	8.9	4.0	10.0	0.6	CB22473-2T40****	500	0.033	12.3	8.8	4.0	10.0	0.6	CB22333-2J40****	500
0.056	12.3	9.2	4.4	10.0	0.6	CB22563-2T40****	500	0.039	12.3	9.1	4.3	10.0	0.6	CB22393-2J40****	500
0.068	12.3	9.6	4.8	10.0	0.6	CB22683-2T40****	500	0.047	12.3	9.5	4.7	10.0	0.6	CB22473-2J40****	500
0.082	12.3	10.1	5.3	10.0	0.6	CB22823-2T40****	500	0.056	12.3	9.9	5.1	10.0	0.6	CB22563-2J40****	500
0.1	12.3	11.1	5.5	10.0	0.6	CB22104-2T40****	500	0.068	12.3	10.5	5.6	10.0	0.6	CB22683-2J40****	500
0.12	12.3	11.7	6.1	10.0	0.6	CB22124-2T40****	500	0.082	12.3	11.5	5.9	10.0	0.6	CB22823-2J40****	500
0.15	12.3	12.4	6.8	10.0	0.6	CB22154-2T40****	500	0.1	12.3	12.1	6.5	10.0	0.6	CB22104-2J40****	500
0.18	12.3	13.1	7.5	10.0	0.6	CB22184-2T40****	500	0.068	17.5	10.1	4.4	15.0	0.6	CB22683-2J60****	500
0.1	17.5	10.1	4.4	15.0	0.6	CB22104-2T60****	500	0.082	17.5	10.3	4.6	15.0	0.6	CB22823-2J60****	500
0.12	17.5	10.5	4.7	15.0	0.6	CB22124-2T60****	500	0.1	17.5	10.8	5.1	15.0	0.6	CB22104-2J60****	500
0.15	17.5	11.0	5.3	15.0	0.6	CB22154-2T60****	500	0.12	17.5	11.3	5.5	15.0	0.6	CB22124-2J60****	500
0.18	17.5	11.5	5.8	15.0	0.6	CB22184-2T60****	500	0.15	17.5	12.9	5.7	15.0	0.6	CB22154-2J60****	500
0.22	17.5	13.1	5.8	15.0	0.6	CB22224-2T60****	500	0.18	17.5	13.5	6.2	15.0	0.8	CB22184-2J60****	500
0.27	17.5	13.8	6.5	15.0	0.8	CB22274-2T60****	500	0.22	17.5	14.2	6.9	15.0	0.8	CB22224-2J60****	500
0.33	17.5	14.5	7.2	15.0	0.8	CB22334-2T60****	500	0.27	17.5	15.0	7.7	15.0	0.8	CB22274-2J60****	500
0.39	17.5	15.2	7.9	15.0	0.8	CB22394-2T60****	500	0.33	17.5	15.9	8.6	15.0	0.8	CB22334-2J60****	500
0.47	17.5	16.1	8.8	15.0	0.8	CB22474-2T60****	500	0.39	17.5	16.7	9.4	15.0	0.8	CB22394-2J60****	500
0.22	25.5	12.7	5.4	22.5	0.8	CB22224-2T90****	500	0.22	25.5	12.8	5.5	22.5	0.8	CB22224-2J90****	500
0.27	25.5	13.2	5.9	22.5	0.8	CB22274-2T90****	500	0.27	25.5	13.4	6.1	22.5	0.8	CB22274-2J90****	500
0.33	25.5	12.8	5.6	22.5	0.8	CB22334-2T90****	500	0.33	25.5	14.0	6.8	22.5	0.8	CB22334-2J90****	500
0.39	25.5	13.3	6.1	22.5	0.8	CB22394-2T90****	500	0.39	25.5	14.7	7.4	22.5	0.8	CB22394-2J90****	500
0.47	25.5	14.0	6.7	22.5	0.8	CB22474-2T90****	500	0.47	25.5	15.4	8.2	22.5	0.8	CB22474-2J90****	500
0.56	25.5	15.7	6.8	22.5	0.8	CB22564-2T90****	500	0.56	25.5	17.2	8.4	22.5	0.8	CB22564-2J90****	500
0.68	25.5	16.4	7.6	22.5	0.8	CB22684-2T90****	500	0.68	25.5	18.2	9.4	22.5	0.8	CB22684-2J90****	500
0.82	25.5	17.3	8.4	22.5	0.8	CB22824-2T90****	500	0.82	25.5	19.2	10.4	22.5	0.8	CB22824-2J90****	200
1	25.5	18.3	9.4	22.5	0.8	CB22105-2T90****	500	1	25.5	20.5	11.6	22.5	0.8	CB22105-2J90****	200

备注:

“-”: 客户要求的容量偏差

“****”: 引线加工和包装代码 (见 15 页表 4)

MOQ: 最小订单量

“-”=custom's capacitor tolerance code, J=±5%, K=±10%, M=±20%

“****”= Lead form and packing code (refer to table 4 in page 15)

MOQ = Minimum order quantity