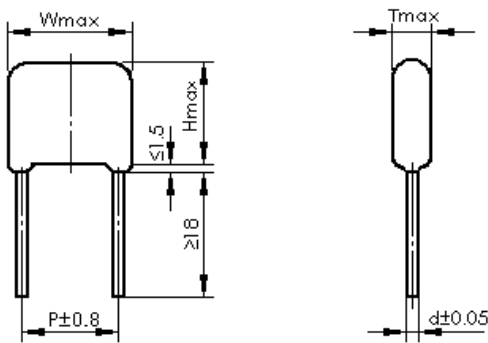


## CBB21 型金属化聚丙烯膜电容器（浸渍型） Metallized Polypropylene Film Capacitor（Dipped）

### ◆ 外形尺寸图及产品结构 Outline Drawing and Capacitor Construction



### ◆ 特点及用途 Application and Feature

金属化聚丙烯膜，无感卷绕结构，体积小，自愈性好，适用于高频、直流、交流和脉冲电路。

Metallized Polypropylene Film Capacitor, non-inductive wound construction, small size and excellent self-healing property. Suitable for using in the high frequency, DC, AC and pulse circuits.

### ◆ 技术要求 Specifications

参照标准 Reference Standard	GB 10190、IEC 60384-16
气候类别 Climatic Category	40/105/21
工作温度范围 Operation Temperature Range	-40℃~105℃
额定温度 Rated Temperature	85℃
额定电压 Rated Voltage	100Vdc/160Vdc、250Vdc、400Vdc /450Vdc、630Vdc、 1000Vdc、1250Vdc、1600 Vdc、2000 Vdc
电容量范围 Capacitance Range	0.00047μF~6.8μF
电容量偏差 Capacitance Tolerance	±5%(J)、±10%(K)、±20%(M) (20℃, 1kHz)
耐电压 Voltage Proof	U=1.6UR (20℃, 5s)
绝缘电阻 Insulation Resistance	$C_R \leq 0.33\mu F$ , $IR \geq 100\ 000M\Omega$ $C_R > 0.33\mu F$ , $IR \times C \geq 30\ 000s$ (20℃, 100Vdc, 1min)
损耗角正切 Dissipation Factor	$\leq 0.0010$ (1kHz, 20℃) $\leq 0.0020$ (10kHz, 20℃) ( $C_R \leq 1\mu F$ )
说明：电容器的工作电压随温度上升而下降，在 85~105℃之间，以 85℃为基准，环境温度每上升 1℃，电容器的额定工作电压应降低 1.25%。 Note: The working voltage of the capacitor decreases as the temperature rises. between 85~105℃,take 85℃ as the base, the temperature rises 1℃,the rated working voltage of the capacitor decreases 1.25%.	

### ◆ 最大电压脉冲斜率：Max dv/dt (V/μs)

额定电压 (V)	dv/dt(V/μs)			
	P=7.5mm	P=10.0mm	P=15.0mm	P=22.5mm
100/160	300	180	110	70
250	600	450	200	120
400/450	880	750	300	180
630	1 300	1 000	400	300
1000/1250	2 300	1 950	975	600
1600	/	6000	4500	2400
2000	/	/	8000	6000



# CBB21

CBB21 series

◆ 产品尺寸: Product Dimension:

100Vdc (63Vac) /160Vdc (90Vac) ▲								250Vdc/160Vac							
C (μF)	W	H	T	P	d	产品代码 Part number	MOQ	C (μF)	W	H	T	P	d	产品代码 Part number	MOQ
0.0470	10.2	8.0	4.0	7.5	0.6	CB21473-2A30****	1000	0.0470	10.2	8.0	4.0	7.5	0.6	CB21473-2E30****	1000
0.0560	10.2	8.0	4.0	7.5	0.6	CB21563-2A30****	1000	0.0560	10.2	8.0	4.0	7.5	0.6	CB21563-2E30****	1000
0.0680	10.2	8.0	4.0	7.5	0.6	CB21683-2A30****	1000	0.0680	10.2	8.5	4.5	7.5	0.6	CB21683-2E30****	1000
0.0820	10.2	8.5	4.5	7.5	0.6	CB21823-2A30****	1000	0.0820	10.2	9.0	5.0	7.5	0.6	CB21823-2E30****	1000
0.1000	10.2	8.0	4.0	7.5	0.6	CB21104-2A30****	1000	0.1000	10.2	9.5	5.5	7.5	0.6	CB21104-2E30****	1000
0.1200	10.2	8.5	4.5	7.5	0.6	CB21124-2A30****	1000	0.1200	10.2	10.0	6.0	7.5	0.6	CB21124-2E30****	1000
0.1500	10.2	9.0	5.0	7.5	0.6	CB21154-2A30****	1000	0.0680	12.5	8.0	4.0	10.0	0.6	CB21683-2E40****	500
0.1800	10.2	9.5	5.5	7.5	0.6	CB21184-2A30****	1000	0.0820	12.5	8.5	4.5	10.0	0.6	CB21823-2E40****	500
0.2200	10.2	10.0	6.0	7.5	0.6	CB21224-2A30****	1000	0.1000	12.5	9.0	4.5	10.0	0.6	CB21104-2E40****	500
0.1000	12.5	8.0	4.0	10.0	0.6	CB21104-2A40****	500	0.1200	12.5	9.5	5.0	10.0	0.6	CB21124-2E40****	500
0.1200	12.5	8.5	4.5	10.0	0.6	CB21124-2A40****	500	0.1500	12.5	10.0	5.5	10.0	0.6	CB21154-2E40****	500
0.1500	12.5	8.5	4.0	10.0	0.6	CB21154-2A40****	500	0.1800	12.5	11.0	5.5	10.0	0.6	CB21184-2E40****	500
0.1800	12.5	8.5	4.5	10.0	0.6	CB21184-2A40****	500	0.2200	12.5	12.0	6.0	10.0	0.6	CB21224-2E40****	500
0.2200	12.5	9.5	5.0	10.0	0.6	CB21224-2A40****	500	0.1800	17.5	10.5	4.5	15.0	0.6	CB21184-2E60****	500
0.2700	12.5	10.0	5.5	10.0	0.6	CB21274-2A40****	500	0.2200	17.5	10.5	5.0	15.0	0.6	CB21224-2E60****	500
0.3300	12.5	11.0	5.5	10.0	0.6	CB21334-2A40****	500	0.2700	17.5	11.0	5.5	15.0	0.6	CB21274-2E60****	500
0.3900	12.5	11.5	6.0	10.0	0.6	CB21394-2A40****	500	0.3300	17.5	13.0	5.5	15.0	0.6	CB21334-2E60****	500
0.2200	17.5	9.5	4.5	15.0	0.6	CB21224-2A60****	500	0.3900	17.5	13.5	6.0	15.0	0.8	CB21394-2E60****	500
0.2700	17.5	10.5	4.5	15.0	0.6	CB21274-2A60****	500	0.4700	17.5	14.0	6.5	15.0	0.8	CB21474-2E60****	500
0.3300	17.5	10.0	4.5	15.0	0.6	CB21334-2A60****	500	0.5600	17.5	14.5	7.5	15.0	0.8	CB21564-2E60****	500
0.3900	17.5	10.5	5.0	15.0	0.6	CB21394-2A60****	500	0.6800	17.5	15.5	8.0	15.0	0.8	CB21684-2E60****	500
0.4700	17.5	11.0	5.5	15.0	0.6	CB21474-2A60****	500	0.8200	17.5	16.5	9.0	15.0	0.8	CB21824-2E60****	500
0.5600	17.5	11.5	6.0	15.0	0.8	CB21564-2A60****	500	1.0000	17.5	18.0	9.5	15.0	0.8	CB21105-2E60****	500
0.6800	17.5	13.0	6.0	15.0	0.8	CB21684-2A60****	500	0.4700	25.5	11.5	6.0	22.5	0.8	CB21474-2E90****	500
0.8200	17.5	13.5	6.5	15.0	0.8	CB21824-2A60****	500	0.5600	25.5	13.0	6.0	22.5	0.8	CB21564-2E90****	500
1.0000	17.5	14.5	7.0	15.0	0.8	CB21105-2A60****	500	0.6800	25.5	14.0	6.5	22.5	0.8	CB21684-2E90****	500
1.2000	17.5	15.0	8.0	15.0	0.8	CB21125-2A60****	500	0.8200	25.5	14.5	7.0	22.5	0.8	CB21824-2E90****	500
1.5000	17.5	16.0	9.0	15.0	0.8	CB21155-2A60****	500	1.0000	25.5	15.5	8.0	22.5	0.8	CB21105-2E90****	500
1.8000	17.5	17.0	9.5	15.0	0.8	CB21185-2A60****	500	1.2000	25.5	16.0	9.0	22.5	0.8	CB21125-2E90****	500
1.0000	25.5	14.0	6.5	22.5	0.8	CB21105-2A90****	500	1.5000	25.5	17.0	10.0	22.5	0.8	CB21155-2E90****	500
1.2000	25.5	13.5	6.5	22.5	0.8	CB21125-2A90****	500	1.8000	25.5	18.5	11.0	22.5	0.8	CB21185-2E90****	200
1.5000	25.5	14.5	7.0	22.5	0.8	CB21155-2A90****	500	2.2000	25.5	20.5	11.5	22.5	0.8	CB21225-2E90****	200
1.8000	25.5	15.0	8.0	22.5	0.8	CB21185-2A90****	500	2.7000	25.5	22.0	13.0	22.5	0.8	CB21275-2E90****	200
2.2000	25.5	17.0	8.0	22.5	0.8	CB21225-2A90****	500	3.3000	25.5	23.5	14.5	22.5	0.8	CB21335-2E90****	200
2.7000	25.5	18.0	9.0	22.5	0.8	CB21275-2A90****	500	3.9000	25.5	25.5	16.5	22.5	0.8	CB21395-2E90****	200
3.3000	25.5	19.0	10.0	22.5	0.8	CB21335-2A90****	500	4.7000	25.5	27.0	18.0	22.5	0.8	CB21475-2E90****	200
3.9000	25.5	20.0	11.0	22.5	0.8	CB21395-2A90****	200								
4.7000	25.5	21.0	12.5	22.5	0.8	CB21475-2A90****	200								
5.6000	25.5	22.5	13.5	22.5	0.8	CB21565-2A90****	200								
6.8000	25.5	24.0	15.0	22.5	0.8	CB21685-2A90****	200								

备注:

“-” :客户要求的容量偏差

“\*\*\*\*” : 引线加工和包装代码 (见 15 页表 4)

“▲”: 当额定电压为 160V 时, 第 9~10 位为 2C

MOQ: 最小订单量

“-”=custom's capacitor tolerance code, J=±5%, K=±10%, M=±20%

“\*\*\*\*”= Lead form and packing code (refer to table 4 in page 15)

“▲”=when the rated voltage is 160Vdc, the digit 9~10 is 2C

MOQ = Minimum order quantity

◆ 产品尺寸: Product Dimension:

400Vdc/450Vdc <sup>▲</sup> (200Vac)															
C (μF)	W	H	T	P	d	产品代码 Part number	MOQ	C (μF)	W	H	T	P	d	产品代码 Part number	MOQ
0.0100	10.2	8.0	4.0	7.5	0.6	CB21103-2G30****	1000	0.0470	17.5	10.5	4.5	15.0	0.6	CB21473-2G60****	500
0.0120	10.2	8.0	4.0	7.5	0.6	CB21123-2G30****	1000	0.0560	17.5	10.5	4.5	15.0	0.6	CB21563-2G60****	500
0.0150	10.2	8.0	4.0	7.5	0.6	CB21153-2G30****	1000	0.0680	17.5	10.0	4.5	15.0	0.6	CB21683-2G60****	500
0.0180	10.2	8.0	4.0	7.5	0.6	CB21183-2G30****	1000	0.0820	17.5	10.5	5.0	15.0	0.6	CB21823-2G60****	500
0.0220	10.2	8.0	4.0	7.5	0.6	CB21223-2G30****	1000	0.1000	17.5	10.0	4.5	15.0	0.6	CB21104-2G60****	500
0.0270	10.2	8.0	4.0	7.5	0.6	CB21273-2G30****	1000	0.1200	17.5	10.5	5.0	15.0	0.6	CB21124-2G60****	500
0.0330	10.2	8.5	4.5	7.5	0.6	CB21333-2G30****	1000	0.1500	17.5	11.0	5.5	15.0	0.6	CB21154-2G60****	500
0.0390	10.2	9.0	5.0	7.5	0.6	CB21393-2G30****	1000	0.1800	17.5	11.5	6.0	15.0	0.6	CB21184-2G60****	500
0.0470	10.2	9.5	5.5	7.5	0.6	CB21473-2G30****	1000	0.2200	17.5	12.0	6.5	15.0	0.8	CB21224-2G60****	500
0.0560	10.2	9.5	5.5	7.5	0.6	CB21563-2G30****	1000	0.2700	17.5	14.0	6.5	15.0	0.8	CB21274-2G60****	500
0.0680	10.2	11.5	6.0	7.5	0.6	CB21683-2G30****	1000	0.3300	17.5	14.5	7.5	15.0	0.8	CB21334-2G60****	500
0.0220	12.5	8.0	4.0	10.0	0.6	CB21223-2G40****	500	0.3900	17.5	15.5	8.0	15.0	0.8	CB21394-2G60****	500
0.0270	12.5	8.0	4.0	10.0	0.6	CB21273-2G40****	500	0.4700	17.5	16.0	9.0	15.0	0.8	CB21474-2G60****	500
0.0330	12.5	8.0	4.0	10.0	0.6	CB21333-2G40****	500	0.5600	17.5	17.0	10.0	15.0	0.8	CB21564-2G60****	500
0.0390	12.5	8.0	4.0	10.0	0.6	CB21393-2G40****	500	0.3300	25.5	13.0	5.5	22.5	0.8	CB21334-2G90****	500
0.0470	12.5	8.5	4.5	10.0	0.6	CB21473-2G40****	500	0.3900	25.5	13.5	6.0	22.5	0.8	CB21394-2G90****	500
0.0560	12.5	9.0	5.0	10.0	0.6	CB21563-2G40****	500	0.4700	25.5	14.0	7.0	22.5	0.8	CB21474-2G90****	500
0.0680	12.5	10.0	5.0	10.0	0.6	CB21683-2G40****	500	0.5600	25.5	15.0	7.5	22.5	0.8	CB21564-2G90****	500
0.0820	12.5	11.0	5.0	10.0	0.6	CB21823-2G40****	500	0.6800	25.5	15.5	8.5	22.5	0.8	CB21684-2G90****	500
0.1000	12.5	11.5	5.5	10.0	0.6	CB21104-2G40****	500	0.8200	25.5	17.5	8.5	22.5	0.8	CB21824-2G90****	500
0.1200	12.5	12.0	6.0	10.0	0.6	CB21124-2G40****	500	1.0000	25.5	18.5	9.5	22.5	0.8	CB21105-2G90****	500
0.1500	12.5	12.5	7.0	10.0	0.6	CB21154-2G40****	500	1.2000	25.5	19.5	10.5	22.5	0.8	CB21125-2G90****	200
0.1800	12.5	13.5	8.0	10.0	0.6	CB21184-2G40****	500	1.5000	25.5	21.0	12.0	22.5	0.8	CB21155-2G90****	200
0.2200	12.5	14.5	8.5	10.0	0.6	CB21224-2G40****	500	1.8000	25.5	22.0	13.5	22.5	0.8	CB21185-2G90****	200
								2.2000	25.5	24.5	15.5	22.5	0.8	CB21225-2G90****	200
								2.7000	25.5	27.0	16.5	22.5	0.8	CB21275-2G90****	200

备注:

“-”: 客户要求的容量偏差

“\*\*\*\*”: 引线加工和包装代码 (见 15 页表 4)

“▲”: 当额定电压为 450Vdc 时, 第 9~10 位为 2S

MOQ: 最小订单量

“-”=custom's capacitor tolerance code, J=±5%, K=±10%, M=±20%

“\*\*\*\*”= Lead form and packing code (refer to table 4 in page 15)

“▲”=when the rated voltage is 450Vdc, the digit 9~10 is 2S

MOQ = Minimum order quantity



# CBB21

CBB21 series

## ◆ 产品尺寸: Special Product Dimension:

630Vdc (220Vac)															
C (μF)	W	H	T	P	d	产品代码 Part number	MOQ	C (μF)	W	H	T	P	d	产品代码 Part number	MOQ
0.0068	10.2	8.0	4.0	7.5	0.6	CB21682-2J30****	1000	0.0560	17.5	10.5	5.0	15.0	0.6	CB21563-2J60****	500
0.0082	10.2	8.0	4.0	7.5	0.6	CB21822-2J30****	1000	0.0680	17.5	11.0	5.5	15.0	0.6	CB21683-2J60****	500
0.0100	10.2	8.0	4.0	7.5	0.6	CB21103-2J30****	1000	0.0820	17.5	13.0	5.5	15.0	0.6	CB21823-2J60****	500
0.0120	10.2	8.0	4.0	7.5	0.6	CB21123-2J30****	1000	0.1000	17.5	13.5	6.0	15.0	0.8	CB21104-2J60****	500
0.0150	10.2	8.5	4.5	7.5	0.6	CB21153-2J30****	1000	0.1200	17.5	14.0	6.5	15.0	0.8	CB21124-2J60****	500
0.0180	10.2	9.0	5.0	7.5	0.6	CB21183-2J30****	1000	0.1500	17.5	14.5	7.5	15.0	0.8	CB21154-2J60****	500
0.0220	10.2	9.5	5.5	7.5	0.6	CB21223-2J30****	1000	0.1800	17.5	15.5	8.0	15.0	0.8	CB21184-2J60****	500
0.0270	10.2	11.0	5.5	7.5	0.6	CB21273-2J30****	1000	0.2200	17.5	16.5	9.0	15.0	0.8	CB21224-2J60****	500
0.0330	10.2	12.0	6.0	7.5	0.6	CB21333-2J30****	1000	0.2700	17.5	17.5	10.0	15.0	0.8	CB21274-2J60****	500
0.0100	12.5	8.0	4.0	10.0	0.6	CB21103-2J40****	500	0.1000	25.5	12.5	5.5	22.5	0.8	CB21104-2J90****	500
0.0120	12.5	8.0	4.0	10.0	0.6	CB21123-2J40****	500	0.1200	25.5	13.0	6.0	22.5	0.8	CB21124-2J90****	500
0.0150	12.5	8.0	4.0	10.0	0.6	CB21153-2J40****	500	0.1500	25.5	13.0	6.0	22.5	0.8	CB21154-2J90****	500
0.0180	12.5	8.0	4.0	10.0	0.6	CB21183-2J40****	500	0.1800	25.5	13.5	6.5	22.5	0.8	CB21184-2J90****	500
0.0220	12.5	8.5	4.5	10.0	0.6	CB21223-2J40****	500	0.2200	25.5	14.5	7.0	22.5	0.8	CB21224-2J90****	500
0.0270	12.5	9.5	4.5	10.0	0.6	CB21273-2J40****	500	0.2700	25.5	15.0	8.0	22.5	0.8	CB21274-2J90****	500
0.0330	12.5	11.0	6.0	10.0	0.6	CB21333-2J40****	500	0.3300	25.5	16.0	8.5	22.5	0.8	CB21334-2J90****	500
0.0390	12.5	11.0	5.5	10.0	0.6	CB21393-2J40****	500	0.3900	25.5	16.5	9.5	22.5	0.8	CB21394-2J90****	500
0.0470	12.5	11.5	6.0	10.0	0.6	CB21473-2J40****	500	0.4700	25.5	18.5	10.0	22.5	0.8	CB21474-2J90****	500
0.0560	12.5	12.0	6.5	10.0	0.6	CB21563-2J40****	500	0.5600	25.5	19.5	10.5	22.5	0.8	CB21564-2J90****	200
0.0330	17.5	10.0	4.5	15.0	0.6	CB21333-2J60****	500	0.6800	25.5	21.0	12.0	22.5	0.8	CB21684-2J90****	200
0.0390	17.5	10.5	4.5	15.0	0.6	CB21393-2J60****	500	0.8200	25.5	22.5	14.0	22.5	0.8	CB21824-2J90****	200
0.0470	17.5	10.5	4.5	15.0	0.6	CB21473-2J60****	500	1.0000	25.5	24.0	15.5	22.5	0.8	CB21105-2J90****	200

630Vdc (220Vac)															
C (μF)	W	H	T	P	d	产品代码 Part number	MOQ	C (μF)	W	H	T	P	d	产品代码 Part number	MOQ
0.0100	10.2	7.5	3.5	7.5	0.6	CB21103-2J3S****	1000	0.0680	17.5	10.5	5.0	15.0	0.6	CB21683-2J6S****	500
0.0120	10.2	8.0	4.0	7.5	0.6	CB21123-2J3S****	1000	0.0820	17.5	11.0	5.5	15.0	0.6	CB21823-2J6S****	500
0.0150	10.2	8.0	4.0	7.5	0.6	CB21153-2J3S****	1000	0.1000	17.5	12.5	5.5	15.0	0.6	CB21104-2J6S****	500
0.0180	10.2	8.5	4.5	7.5	0.6	CB21183-2J3S****	1000	0.1200	17.5	13.5	6.0	15.0	0.8	CB21124-2J6S****	500
0.0220	10.2	9.5	4.5	7.5	0.6	CB21223-2J3S****	1000	0.1500	17.5	14.0	6.5	15.0	0.8	CB21154-2J6S****	500
0.0270	10.2	10.5	5.0	7.5	0.6	CB21273-2J3S****	1000	0.1800	17.5	14.5	7.5	15.0	0.8	CB21184-2J6S****	500
0.0330	10.2	11.0	5.5	7.5	0.6	CB21333-2J3S****	1000	0.2200	17.5	15.5	8.0	15.0	0.8	CB21224-2J6S****	500
0.0390	10.2	11.5	6.0	7.5	0.6	CB21393-2J3S****	1000	0.2700	17.5	16.5	9.0	15.0	0.8	CB21274-2J6S****	500
0.0470	10.2	12.0	6.5	7.5	0.6	CB21473-2J3S****	1000	0.3300	17.5	17.5	10.0	15.0	0.8	CB21334-2J6S****	500
0.0150	12.5	7.5	3.5	10.0	0.6	CB21153-2J4S****	500	0.1500	25.5	12.5	5.0	22.5	0.8	CB21154-2J9S****	500
0.0180	12.5	8.0	4.0	10.0	0.6	CB21183-2J4S****	500	0.1800	25.5	13.0	5.5	22.5	0.8	CB21184-2J9S****	500
0.0220	12.5	8.0	4.0	10.0	0.6	CB21223-2J4S****	500	0.2200	25.5	13.5	6.5	22.5	0.8	CB21224-2J9S****	500
0.0270	12.5	8.5	4.5	10.0	0.6	CB21273-2J4S****	500	0.2700	25.5	14.5	7.0	22.5	0.8	CB21274-2J9S****	500
0.0330	12.5	9.5	4.5	10.0	0.6	CB21333-2J4S****	500	0.3300	25.5	15.0	8.0	22.5	0.8	CB21334-2J9S****	500
0.0390	12.5	10.5	5.0	10.0	0.6	CB21393-2J4S****	500	0.3900	25.5	16.0	8.5	22.5	0.8	CB21394-2J9S****	500
0.0470	12.5	11.0	5.5	10.0	0.6	CB21473-2J4S****	500	0.4700	25.5	16.5	9.5	22.5	0.8	CB21474-2J9S****	500
0.0560	12.5	11.5	5.5	10.0	0.6	CB21563-2J4S****	500	0.5600	25.5	18.5	9.5	22.5	0.8	CB21564-2J9S****	500
0.0680	12.5	12.0	6.5	10.0	0.6	CB21683-2J4S****	500	0.6800	25.5	19.5	10.5	22.5	0.8	CB21684-2J9S****	200
0.1000	12.5	13.5	7.5	10.0	0.6	CB21104-2J4S****	500	0.8200	25.5	21.5	12.5	22.5	0.8	CB21824-2J9S****	200
0.0470	17.5	9.5	4.5	15.0	0.6	CB21473-2J6S****	500	1.0000	25.5	22.5	14.0	22.5	0.8	CB21105-2J9S****	200
0.0560	17.5	10.5	4.5	15.0	0.6	CB21563-2J6S****	500	1.2000	25.5	24.0	15.0	22.5	0.8	CB21125-2J9S****	200

备注:

“-”: 客户要求的容量偏差

“\*\*\*\*”: 引线加工和包装代码 (见 15 页表 4)

MOQ: 最小订单量

“-”=custom's capacitor tolerance code, J=±5%, K=±10%, M=±20%

“\*\*\*\*”= Lead form and packing code (refer to table 4 in page 15)

MOQ = Minimum order quantity

◆ 产品尺寸: Special Product Dimension:

1000Vdc/1250 Vdc <sup>▲</sup> (400Vac)								1600Vdc (600Vac)							
C (μF)	W	H	T	P	d	产品代码 Part number	MOQ	C (μF)	W	H	T	P	d	产品代码 Part number	MOQ
0.001	10.2	8.0	3.5	7.5	0.6	CB21102-3A30****	1000	0.001	12.5	8.0	4.0	10.0	0.6	CB21102-3C40****	500
0.0012	10.2	7.5	3.5	7.5	0.6	CB21122-3A30****	1000	0.0012	12.5	8.0	4.0	10.0	0.6	CB21122-3C40****	500
0.0015	10.2	8.0	4.0	7.5	0.6	CB21152-3A30****	1000	0.0015	12.5	8.0	4.0	10.0	0.6	CB21152-3C40****	500
0.0018	10.2	8.0	4.0	7.5	0.6	CB21182-3A30****	1000	0.0018	12.5	8.5	4.5	10.0	0.6	CB21182-3C40****	500
0.0022	10.2	8.0	4.0	7.5	0.6	CB21222-3A30****	1000	0.0022	12.5	9.0	4.5	10.0	0.6	CB21222-3C40****	500
0.0027	10.2	8.5	4.5	7.5	0.6	CB21272-3A30****	1000	0.0027	12.5	9.5	5.0	10.0	0.6	CB21272-3C40****	500
0.0033	10.2	9.0	5.0	7.5	0.6	CB21332-3A30****	1000	0.0033	12.5	10.5	5.0	10.0	0.6	CB21332-3C40****	500
0.0039	10.2	9.5	5.5	7.5	0.6	CB21392-3A30****	1000	0.0039	12.5	11.0	5.5	10.0	0.6	CB21392-3C40****	500
0.0047	10.2	11.0	5.0	7.5	0.6	CB21472-3A30****	1000	0.0047	12.5	11.5	6.0	10.0	0.6	CB21472-3C40****	500
0.0022	12.5	8.0	4.0	10.0	0.6	CB21222-3A40****	500	0.0015	17.5	9.0	4.5	15.0	0.6	CB21152-3C60****	500
0.0027	12.5	8.0	4.0	10.0	0.6	CB21272-3A40****	500	0.0018	17.5	10.0	4.5	15.0	0.6	CB21182-3C60****	500
0.0033	12.5	8.0	4.0	10.0	0.6	CB21332-3A40****	500	0.0022	17.5	10.5	5.0	15.0	0.6	CB21222-3C60****	500
0.0039	12.5	8.0	4.0	10.0	0.6	CB21392-3A40****	500	0.0027	17.5	10.0	4.5	15.0	0.6	CB21272-3C60****	500
0.0047	12.5	8.5	4.5	10.0	0.6	CB21472-3A40****	500	0.0033	17.5	10.0	4.5	15.0	0.6	CB21332-3C60****	500
0.0056	12.5	9.5	4.5	10.0	0.6	CB21562-3A40****	500	0.0039	17.5	10.5	4.5	15.0	0.6	CB21392-3C60****	500
0.0068	12.5	10.0	5.0	10.0	0.6	CB21682-3A40****	500	0.0047	17.5	10.0	4.5	15.0	0.6	CB21472-3C60****	500
0.0082	12.5	10.5	5.5	10.0	0.6	CB21822-3A40****	500	0.0056	17.5	10.0	4.5	15.0	0.6	CB21562-3C60****	500
0.01	12.5	11.0	6.0	10.0	0.6	CB21103-3A40****	500	0.0068	17.5	10.5	4.5	15.0	0.6	CB21682-3C60****	500
0.012	12.5	12.0	6.0	10.0	0.6	CB21123-3A40****	500	0.0082	17.5	11.0	5.0	15.0	0.6	CB21822-3C60****	500
0.01	17.5	10.0	4.0	15.0	0.6	CB21103-3A60****	500	0.01	17.5	11.5	5.5	15.0	0.6	CB21103-3C60****	500
0.012	17.5	10.5	4.5	15.0	0.6	CB21123-3A60****	500	0.012	17.5	12.0	6.0	15.0	0.8	CB21123-3C60****	500
0.015	17.5	10.5	5.0	15.0	0.6	CB21153-3A60****	500	0.015	17.5	12.5	7.0	15.0	0.8	CB21153-3C60****	500
0.018	17.5	11.0	5.5	15.0	0.6	CB21183-3A60****	500	0.018	17.5	13.0	7.5	15.0	0.8	CB21183-3C60****	500
0.022	17.5	11.5	6.0	15.0	0.6	CB21223-3A60****	500	0.022	17.5	14.0	8.5	15.0	0.8	CB21223-3C60****	500
0.027	17.5	12.5	6.5	15.0	0.8	CB21273-3A60****	500	0.027	17.5	15.0	9.5	15.0	0.8	CB21273-3C60****	500
0.033	17.5	14.0	6.5	15.0	0.8	CB21333-3A60****	500	0.033	17.5	17.0	9.5	15.0	0.8	CB21333-3C60****	500
0.039	17.5	14.5	7.5	15.0	0.8	CB21393-3A60****	500	0.039	17.5	18.0	10.5	15.0	0.8	CB21393-3C60****	500
0.047	17.5	15.5	8.0	15.0	0.8	CB21473-3A60****	500	0.0068	25.5	13.0	6.0	22.5	0.8	CB21682-3C90****	500
0.056	17.5	16.0	9.0	15.0	0.8	CB21563-3A60****	500	0.0082	25.5	13.5	6.5	22.5	0.8	CB21822-3C90****	500
0.068	17.5	17.0	10.0	15.0	0.8	CB21683-3A60****	500	0.01	25.5	13.0	6.0	22.5	0.8	CB21103-3C90****	500
0.039	25.5	12.5	5.5	22.5	0.8	CB21393-3A90****	500	0.012	25.5	13.0	5.5	22.5	0.8	CB21123-3C90****	500
0.047	25.5	13.5	6.0	22.5	0.8	CB21473-3A90****	500	0.015	25.5	13.0	5.5	22.5	0.8	CB21153-3C90****	500
0.056	25.5	14.0	6.5	22.5	0.8	CB21563-3A90****	500	0.018	25.5	13.5	6.0	22.5	0.8	CB21183-3C90****	500
0.068	25.5	14.5	7.0	22.5	0.8	CB21683-3A90****	500	0.022	25.5	13.0	6.0	22.5	0.8	CB21223-3C90****	500
0.082	25.5	15.5	8.0	22.5	0.8	CB21823-3A90****	500	0.027	25.5	14.0	6.5	22.5	0.8	CB21273-3C90****	500
0.1	25.5	17.0	8.5	22.5	0.8	CB21104-3A90****	500	0.033	25.5	15.5	7.0	22.5	0.8	CB21333-3C90****	500
0.12	25.5	18.0	9.0	22.5	0.8	CB21124-3A90****	500	0.039	25.5	16.0	7.5	22.5	0.8	CB21393-3C90****	500
0.15	25.5	19.0	10.5	22.5	0.8	CB21154-3A90****	200	0.047	25.5	17.0	8.5	22.5	0.8	CB21473-3C90****	500
0.18	25.5	20.5	11.5	22.5	0.8	CB21184-3A90****	200	0.056	25.5	18.0	9.0	22.5	0.8	CB21563-3C90****	500
0.22	25.5	21.5	13.0	22.5	0.8	CB21224-3A90****	200	0.068	25.5	19.0	10.0	22.5	0.8	CB21683-3C90****	500
0.27	25.5	23.5	15.0	22.5	0.8	CB21274-3A90****	200	0.082	25.5	20.0	11.5	22.5	0.8	CB21823-3C90****	200
0.33	25.5	25.5	16.5	22.5	0.8	CB21334-3A90****	200	0.1	25.5	21.5	12.5	22.5	0.8	CB21104-3C90****	200

备注:

“-”: 客户要求的容量偏差

“\*\*\*\*”: 引线加工和包装代码 (见 15 页表 4)

“▲”: 额定电压为 1250V 时, 第 9~10 位为 3B

MOQ: 最小订量

“-”=custom's capacitor tolerance code, J=±5%, K=±10%, M=±20%

“\*\*\*\*”= Lead form and packing code (refer to table 4 in page 15)

“▲”=when the rated voltage is 1250Vdc, the digit 9~10 is 3B

MOQ = Minimum order quantity



# CBB21

CBB21 series

◆ 产品尺寸: Special Product Dimension:

2000Vdc (700Vac)															
C ( $\mu$ F)	W	H	T	P	d	产品代码 Part number	MOQ	C ( $\mu$ F)	W	H	T	P	d	产品代码 Part number	MOQ
0.00047	12.5	8.0	4.0	10.0	0.6	CB21471-3D40****	500	0.0082	17.5	12.5	6.5	15.0	0.8	CB21822-3D60****	500
0.00056	12.5	8.5	4.5	10.0	0.6	CB21561-3D40****	500	0.01	17.5	13.0	7.5	15.0	0.8	CB21103-3D60****	500
0.00068	12.5	8.0	4.0	10.0	0.6	CB21681-3D40****	500	0.012	17.5	13.5	8.0	15.0	0.8	CB21123-3D60****	500
0.00082	12.5	8.0	4.0	10.0	0.6	CB21821-3D40****	500	0.015	17.5	14.5	9.0	15.0	0.8	CB21153-3D60****	500
0.001	12.5	8.5	4.5	10.0	0.6	CB21102-3D40****	500	0.018	17.5	16.5	9.0	15.0	0.8	CB21183-3D60****	500
0.0012	12.5	8.5	4.5	10.0	0.6	CB21122-3D40****	500	0.022	17.5	17.5	10.5	15.0	0.8	CB21223-3D60****	500
0.0015	12.5	9.5	5.0	10.0	0.6	CB21152-3D40****	500	0.0068	25.5	13.0	6.0	22.5	0.8	CB21682-3D90****	500
0.0018	12.5	10.5	5.0	10.0	0.6	CB21182-3D40****	500	0.0082	25.5	13.5	6.5	22.5	0.8	CB21822-3D90****	500
0.0022	12.5	11.0	5.5	10.0	0.6	CB21222-3D40****	500	0.01	25.5	13.0	6.0	22.5	0.8	CB21103-3D90****	500
0.0027	12.5	11.5	6.0	10.0	0.6	CB21272-3D40****	500	0.012	25.5	13.0	5.5	22.5	0.8	CB21123-3D90****	500
0.0033	12.5	12.0	6.5	10.0	0.6	CB21332-3D40****	500	0.015	25.5	13.5	6.5	22.5	0.8	CB21153-3D90****	500
0.0015	17.5	9.0	4.5	15.0	0.6	CB21152-3D60****	500	0.018	25.5	14.0	7.0	22.5	0.8	CB21183-3D90****	500
0.0018	17.5	10.0	4.5	15.0	0.6	CB21182-3D60****	500	0.022	25.5	15.0	8.0	22.5	0.8	CB21223-3D90****	500
0.0022	17.5	10.5	5.0	15.0	0.6	CB21222-3D60****	500	0.027	25.5	17.0	8.0	22.5	0.8	CB21273-3D90****	500
0.0027	17.5	10.0	4.5	15.0	0.6	CB21272-3D60****	500	0.033	25.5	18.0	9.0	22.5	0.8	CB21333-3D90****	500
0.0033	17.5	10.0	4.5	15.0	0.6	CB21332-3D60****	500	0.039	25.5	19.0	10.0	22.5	0.8	CB21393-3D90****	500
0.0039	17.5	10.5	4.5	15.0	0.6	CB21392-3D60****	500	0.047	25.5	20.0	11.0	22.5	0.8	CB21473-3D90****	200
0.0047	17.5	10.5	5.0	15.0	0.6	CB21472-3D60****	500	0.056	25.5	21.0	12.0	22.5	0.8	CB21563-3D90****	200
0.0056	17.5	11.0	5.5	15.0	0.6	CB21562-3D60****	500	0.068	25.5	22.5	13.5	22.5	0.8	CB21683-3D90****	200
0.0068	17.5	11.5	6.0	15.0	0.8	CB21682-3D60****	500	0.082	25.5	24.0	15.0	22.5	0.8	CB21823-3D90****	200

备注:

“-”: 客户要求的容量偏差

“\*\*\*\*”: 引线加工和包装代码 (见 15 页表 4)

MOQ: 最小订单量

“-”=custom's capacitor tolerance code, J=±5%, K=±10%, M=±20%

“\*\*\*\*”= Lead form and packing code (refer to table 4 in page 15)

MOQ = Minimum order quantity