

## 企业简介

四川中星电子有限责任公司成立于 1997 年，坐落在中国成都海峡两岸科技园，是聚研发、生产于一体、年产能力达 21 亿只的中国西部最大的有机薄膜电容器专业制造厂商，国家高新技术企业。

公司拥有瑞士、意大利、日本、台湾生产的国际一流水平的卷绕机、组立机、焊接机、多功能电性能测试机等专用设备 800 余台套。公司的产品类型有三十余类，适用于各类低、中、高频及脉动电路。公司研发的小型、超小型电容器；高压、高频、耐高温电容器；吸收、谐振、高压脉冲、滤波等电容器广泛应用于消费电子（照明、电视机、电脑、空调、洗衣机、微波炉、电冰箱等）、通讯、电气控制、电力电子（风能、太阳能、动力机车和混合动力汽车）等领域。

创新是企业不断进步和发展的保证，公司十分注重创新型人才的培养和新技术的应用，现有各类中高级技术人才 150 人，行业专家级人才 20 余人，技术水平在不断提高；公司每年用于产品研发的费用占全年产值的 5%，公司自主研发的“小型高压内三串金属化薄膜电容器”获得了国家颁发的“科学技术进步奖”；公司拥有 33 项获得国家专利证书。

公司于 1999 年通过了 ISO9001 质量管理体系认证及 IECQ 电子制造商认证；2004 年产品符合 ROHS 和 REACH 标准；2006 年公司通过了 ISO14001 环境管理体系认证；2012 年通过了 OHSAS18000 职业健康与安全管理体系认证；2014 年通过 EICC 审核；2015 年通过了 IAFT16949 质量管理体系。

公司的质量方针：

精工细琢 展翔电容成为行业精品

诚信优质 中星服务成为行业标兵

创新高效 中星管理成为行业典范

## Company introduction

Sichuan Zhongxing Electronic Co., Ltd is established in 1997, located in Chengdu, China. The company has the capability to develop and produce various film capacitors with annual production of 2.1 billion pieces. It's the largest manufacturer of capacitors in West China, High & New-Tech Enterprise.

The company equips with 800 sets of international first-class winding, welding, assembly and multi-function electrical testing machines. They are imported from Switzerland, Italy, Japan and Taiwan etc. The company's products are more than 30 groups, suitable for all kinds of low/medium/high frequency and pulse circuits. The company also developed small and ultra-compact capacitors; high voltage, high frequency, high temperature capacitors; Snubber, resonant, high voltage pulse and filter capacitors etc, and the products are widely used in the field of consumer electronics (lighting, television, computers, air conditioner, washing machine, microwave oven, refrigerator, etc.), communication, electrical control, power electronics (wind, solar, electric vehicles and hybrid electric vehicle) etc..

Innovation is the guarantee for enterprise continue to progress and development, the company attaches great importance to the cultivation of innovative talents and new technology application, existing 150 senior technicians and more than 20 experts in capacitor industry, technical level continues to increase; each year, the expenses for product research account for 5% of the annual output value, the company independent development of "small high-voltage internal 3-strand metallized film capacitor " won the national award of "Science and Technology Progress Award"; the company has 33 national patent certificates.

In 1999 the company passed the ISO9001 quality management system certification and IECQ electronics manufacturers certification; in 2004 the products meet ROHS and REACH standard; in 2006 the company passed the ISO14001 environmental management system certification; in 2012 passed the OHSAS18000 occupational health and safety management system certification; in 2014 passed the EICC audit; in 2015 passed the IATF16949 quality management system.

The company's quality policy:

Fine tuning and fine tuning again, Zhanxiang capacitor becomes competitive products.

Credible and high quality, Zhongxing service becomes the industry pacesetter.

Innovative and efficient, Zhongxing management becomes the industry star.

## 目录 Contents

概述:

■ 薄膜电容器简介	General Information	
引用标准	Reference Standard	4
常用的标准术语	Terminologies	5
典型特性、应用及特性曲线	Typical Properties, Applications and Typical graphs	7
电容器结构示意图	Capacitors Construction	8
使用薄膜电容器的注意事项	Caution items in using film capacitor	9
环保产品	Environmental-friendly products	12
订购须知	Purchase specification	12
引线产品包装方式	Packing for tinned-wire capacitor	12
产品代码说明	Part number system	14



## 电容器分类:

■ 抑制电源电磁干扰电容器		EMI Suppression Capacitors
MKP61	抑制电源电磁干扰薄膜电容器(X2类, 275Vac/305Vac/310Vac/350Vac) EMI suppression capacitor ( Class X2 , 275Vac/305Vac/310Vac/350Vac )	16
MKP61 (Mini)	抑制电源电磁干扰薄膜电容器(X2类, 小型化, 275Vac/305Vac/310Vac) EMI suppression capacitor(Class X2,Miniature version,275Vac/305Vac/310Vac)	21
MKP61F (Flat)	抑制电源电磁干扰薄膜电容器(X2类, 扁平化, 275Vac/305Vac/310Vac) EMI suppression capacitor(Class X2,Flat version,275Vac/305Vac/310Vac)	23
MKP61T (THB)	抑制电源电磁干扰薄膜电容器(X2类, THB, 275Vac/305Vac/310Vac) EMI suppression capacitor ( Class X2 , THB , 275Vac/305Vac/310Vac	25
MKP61H (THB)	抑制电源电磁干扰薄膜电容器(X2类, THB, 275Vac/305Vac/310Vac/350Vac) EMI suppression capacitor ( Class X2 , THB , 275Vac/305Vac/310Vac/350Vac	27
MKP61B (THB)	抑制电源电磁干扰薄膜电容器(X2类, THB, 275Vac/305Vac/310Vac) EMI suppression capacitor ( Class X2 , THB , 275Vac/305Vac/310Vac	30
MKP61A (THB)	抑制电源电磁干扰薄膜电容器(X2类, THB, 275Vac/305Vac/310Vac) EMI suppression capacitor ( Class X2 , THB , 275Vac/305Vac/310Vac	32
MKP61R (RC-unit)	抑制电源电磁干扰阻容模块(X2类, 300Vac) EMI suppression RC-unit ( Class X2 , 300Vac )	34
MKP65	抑制电源电磁干扰薄膜电容器(X1类, 440Vac/480Vac/530Vac) EMI suppression capacitor ( Class X1 , 440Vac/480Vac/530Vac )	37
MKP63	抑制电源电磁干扰薄膜电容器(Y2类, 300Vac) EMI suppression capacitor ( Class Y2 , 300Vac )	42
■ 电力电子电容器		Capacitors for Power Electronic
MKP89	IGBT 吸收电容器 Snubber capacitor for IGBT	45
MKP89B	IGBT 吸收电容器 (For PCB) Snubber capacitor for IGBT (For PCB)	52
MKP86	干式直流滤波电容器 ( 定制品 ) DC-Link capacitor ( Customized Products )	60
MKP88	塑料外壳干式直流滤波电容器 DC-Filter capacitor (Box-Type, Dry-Type)	70
CBB60	干式直流滤波电容器 DC-link capacitor (Dry-Type)	74
CBB60A	CBB60A 型车规级 DC-Link 电容器(PCB) CBB60A Type DC-Link Capacitor (HEV/EV、PCB)	88
CBB60B	干式直流滤波电容器 (For PCB) DC-link capacitor (Dry-type, For PCB)	93
CBB60H (THB)	干式直流滤波电容器 (For PCB, THB) DC-link capacitor (Dry-type, For PCB, THB)	106
CBB60T	干式直流滤波电容器 (For PCB, 125°C) DC-link capacitor (Dry-Type, For PCB, 125°C)	119
CBB66A	干式交流滤波电容器 ( 塑料外壳 ) AC-link capacitor (Box-Type, Dry-Type)	125
CBB66H (THB)	干式交流滤波电容器 ( 塑料外壳,THB ) AC-link capacitor (Box-Type, Dry-Type,THB)	136

**■ 交流电动机电容器**
**AC Motor Capacitors**

CBB61	金属化聚丙烯薄膜交流电动机电容器 (塑料外壳, S0) Metallized polypropylene film AC motor capacitor(Box-Type, S0)	150
CBB61G	金属化聚丙烯薄膜交流电动机电容器 (塑料外壳, S3) Metallized polypropylene film AC motor capacitor(Box-Type, S3)	160

**■ 金属化聚丙烯薄膜电容器**
**Metallized Polypropylene Film Capacitors**

CBB20	轴向金属化聚丙烯薄膜电容器 Metallized polypropylene film capacitor (Axial-Type)	164
CBB21	金属化聚丙烯薄膜电容器 (浸渍型) Metallized polypropylene film capacitor (Dipped)	167
CBB21L	金属化聚丙烯薄膜电容器 (浸渍型, 小型化) Metallized polypropylene film capacitor (Dipped, Miniature version)	173
CBB22	金属化聚丙烯薄膜电容器 (浸渍型) Metallized polypropylene film capacitor (Dipped)	175
CBB24	盒式金属化聚丙烯薄膜电容器 Metallized polypropylene film capacitor (Box-Type)	178
CBB24M	盒式金属化聚丙烯薄膜电容器 Metallized polypropylene film capacitor (Box-Type)	187
CBB25	盒式金属化聚丙烯薄膜电容器 Metallized polypropylene film capacitor (Box-type, DC-Filter)	192
CBB25F	盒式金属化聚丙烯薄膜电容器 (扁平化) Metallized polypropylene film capacitor (Flat, Box-type, DC-Filter)	199
CBB25L	盒式金属化聚丙烯薄膜电容器 Metallized polypropylene film capacitor (Box-type, DC-Filter)	201
CBB81	双面金属化聚丙烯薄膜电容器 (浸渍型) Double sided metallized polypropylene film capacitor (Dipped)	203
CBB84	盒式双面金属化聚丙烯薄膜电容器 Double sided metallized polypropylene film capacitor (Box-Type)	207
CBB62	金属化聚丙烯膜介质交流固定电容器 (浸渍型) Metallized polypropylene film A.C. capacitor (Dipped)	213
CBB82	大电流箔式聚丙烯薄膜电容器 (浸渍型) High-current foil polypropylene film capacitor (Dipped)	215

**■ 金属化聚酯薄膜电容器**
**Metallized Polyester Film Capacitors**

CL20	轴向金属化聚酯薄膜电容器 Metallized polyester film capacitor (Axial-Type)	217
CL21	金属化聚酯薄膜电容器 (浸渍型) Metallized polyester film capacitor (Dipped)	220
CL21X	金属化聚酯薄膜电容器 (浸渍型, 小型化) Metallized polyester film capacitor (Dipped, Miniature version)	227
CL24	盒式聚酯薄膜电容器 Metallized polyester film capacitor (Box-Type)	232
CL62	金属化聚酯薄膜电容器 (浸渍型) Metallized polyester film capacitor (Dipped)	236
CDH	点火电容器 (浸渍型) Ignition capacitor (Dipped)	238

**■ 金属化聚苯硫醚薄膜电容器**
**Metallized polyphenylene sulfide Film Capacitors**

CPS21	金属化聚苯硫醚薄膜电容器 (浸渍型) Metallized polyphenylene sulfide film capacitor (Dipped)	239
-------	--	-----



## 薄膜电容器简介 General Information

### 一、薄膜电容器的标准体系

电子设备用固定电容器的标准体系是由总规范、分规范、空白详细规范、及详细规范（企业标准）组成。也就是说，企业标准是按总规范和分规范的基本要求，填写空白详细规范而成。

### The Standard system

The standard system of plastic film capacitor for use in electronic equipment composes the generic specification, sectional specification, blank detail specification and detail specification (manufacturer specification). That is to say a manufacturer specification is derived from blank detail specification according to the basic requirements of generic and section specifications.

标准号 (No.)	标准 (Standards)
<b>GB/T 2693</b> <b>(IEC 60384-1)</b>	第 1 部分: 总规范 Part 1: Generic specification
<b>GB/T 7332</b> <b>(IEC 60384-2)</b>	第 2 部分: 分规范: 金属化聚酯膜介质直流固定电容器 Part 2: Sectional specification: Fixed metallized polyester film D.C. capacitor
<b>GB/T 7333</b> <b>(IEC 60384-2-1)</b>	第 2 部分: 空白详细规范: 金属化聚酯膜介质直流固定电容器 Part 2: Blank detail specification: Fixed metallized polyester film D.C. capacitor  详细规范: Detail specification for CL21、CL21X、CL24、CL20、CDH
<b>GB/T6346.11</b> <b>(IEC 60384-11)</b>	第 11 部分: 分规范: 金属箔式聚酯膜介质直流固定电容器 Part 11: Sectional specification: Fixed polyester film metal foil D.C. capacitor
<b>GB/T 6346.1101</b> <b>(IEC 60384-11-1)</b>	第 11 部分: 分规范: 金属箔式聚酯膜介质直流固定电容器 Part 11: Blank detail specification: Fixed polyester film metal foil D.C. capacitor  详细规范: Detail specification for CL11、CH11
<b>GB/T 10188</b> <b>(IEC 60384-13)</b>	第 13 部分: 分规范: 金属箔式聚丙烯膜介质直流固定电容器 Part 13: Sectional specification: Fixed polypropylene film metal foil D.C. capacitor
<b>GB/T 10189</b> <b>(IEC 60384-13-1)</b>	第 13 部分: 空白详细规范: 金属箔式聚丙烯膜介质直流固定电容器 Part 13: Blank detail specification: Fixed polypropylene film metal foil D.C. capacitor
<b>GB/T 6346.14</b> <b>(IEC 60384-14)</b>	第 14 部分: 分规范: 抑制电源电磁干扰用固定电容器 Part 14: Sectional specification: Fixed capacitors for electromagnetic interference suppression and connection to the supply mains
<b>GB/T 6346.1401</b> <b>(IEC 60384-14-1)</b>	第 14 部分: 空白详细规范: 抑制电源电磁干扰用固定电容器 Part 14: Blank detail specification: Fixed capacitors for electromagnetic interference suppression and connection to the supply mains  详细规范: Detail specification for MKP61、MKP63、MKP65
<b>GB/T 10190</b> <b>(IEC 60384-16)</b>	第 16 部分: 分规范: 金属化聚丙烯膜介质直流固定电容器 Part 16: Sectional specification: Fixed metallized polypropylene film D.C. capacitor
<b>GB/T 10191</b> <b>(IEC 60384-16-1)</b>	第 16 部分: 空白详细规范: 金属化聚丙烯膜介质直流固定电容器 Part 16: Blank detail specification: Fixed metallized polypropylene film D.C. capacitor  详细规范: Detail specification for CBB21、CBB22、CBB21L、CBB24、CBB25、CBB81、CBB84、CBB20

<b>GB/T 14579 (IEC 60384-17)</b>	第 17 部分: 分规范: 金属化聚丙烯膜介质交流和脉冲固定电容器 Part 17: Sectional specification: Fixed metallized polypropylene film A.C. and pulse capacitor
<b>GB/T 14580 (IEC 60384-17-1)</b>	第 17 部分: 空白详细规范: 金属化聚丙烯膜介质交流和脉冲固定电容器 Part 17: Blank detail specification: Fixed metallized polypropylene film A.C. and pulse capacitor  详细规范: Detail specification for CBB62、CBB82、CBB24M
<b>GB/T 17702 (IEC 61071)</b>	电力电子电容器 Capacitors for power electronics  详细规范: Detail specification for MKP89、MKP89B、MKP86、MKP88、CBB60、CBB60B、CBB66A、CBB60T
<b>GB/T 3667.1 (IEC 60252-1)</b>	第 1 部分: 交流电动机电容器 Part 1: AC motor capacitor  详细规范: Detail specification for CBB61
<b>IEC 60384-20</b>	金属化聚苯硫醚膜介质直流片式固定电容器 Fixed metallized polyphenylene sulfide film dielectric surface mount D.C. capacitors  详细规范: Detail specification for CSP21
<b>AEC-Q200</b>	表 4: 薄膜电容器参考方法; Table 4: Table methods referenced film capacitors.  详细规范: Detail specification for MKP86、CBB60T、MKP61H、CBB84、CBB60A

## 二、常用的标准术语

### 1、额定温度

可以连续施加额定电压的最高环境温度。

### 2、下限类别温度

电容器设计所确定的能连续工作的最低环境温度。

### 3、上限类别温度

电容器设计所确定的能连续工作的最高环境温度。

### 4、额定电压 ( $U_R$ )

在下限类别温度和额定温度之间的任意温度下, 可以连续施加在电容器上的最大电压或脉冲电压的峰值。

### 5、类别电压 ( $U_C$ )

电容器在上限类别温度下可以连续施加在电容器上的最高电压。

### 6、损耗角正切 ( $\tan \delta$ )

在规定频率的正弦电压下, 电容器的损耗功率除以电容器的无功功率。

## Terminologies

### 1. Rated Temperature

The maximum ambient temperature at which the rated voltage can be applied on a capacitor continuously.

### 2. Lower Category Temperature

The lowest ambient temperature at which a capacitor can operate continuously.

### 3. Upper Category Temperature

The hottest ambient temperature at which a capacitor can operate continuously. in which capacitor may continuously work.

### 4. Rated Voltage ( $U_R$ )

The maximum voltage that may be continuously applied to a capacitor at any ambient temperature below rated temperature.

### 5. Category Temperature ( $U_C$ )

The maximum voltage that can be applied to capacitor at upper category temperature.

### 6. Dissipation Factor ( $\tan \delta$ )

Ration between effective power(power dissipation) and reactive power for a sine wave load of specified frequency.





## 7、绝缘电阻 (I.R.)

电容器充电一分钟后所加直流电压和流经电容器的漏电流之比, 单位为  $M\Omega$ 。

一般情况下, 绝缘电阻用来描述容量小于等于  $0.33\mu F$  的电容器的绝缘特性。

## 8、时间常数 ( $\tau$ )

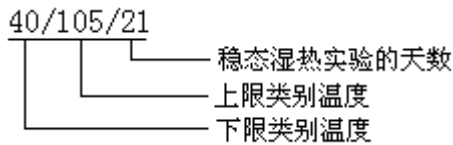
绝缘电阻和电容量的乘积。通常用下式表示:

$$\tau (s) = I.R. (M\Omega) \times C (\mu F)$$

一般情况下, 时间常数用于描述大容量 ( $> 0.33\mu F$ ) 的电容器的绝缘特性。

## 9、气候类别

电容器所属的气候类别用斜线分隔得三个数字分别表示下限类别温度、上限类别温度、稳态湿热实验的天数。(IEC 60068-1: 如 40/105/21)



## 10、电容量温度系数 ( $a$ )

电容器的电容量在规定温度范围内随温度的变化率。通常以  $20^\circ C$  时电容量为基准, 用  $10^{-6}/^\circ C$  表示。(ppm/ $^\circ C$ )

$$a_i = \frac{C_i - C_0}{C_0(T_i - T_0)}$$

$C_i$ : 电容器在温度  $T_i$  时的容量。

$C_0$ : 电容器在温度  $T_0$  ( $20 \pm 2^\circ C$ ) 时的容量。

## 11、自愈性 (仅对金属化薄膜电容器)

金属化膜电容器的介质局部击穿之后, 电容器的电气特性能迅速地基本上恢复到击穿之前数值的特性。

## 12、表面温升

电容器在交流或脉冲条件下工作时, 由于电容器的损耗而引起的电容器温度相对于环境温度的升高。请检查电容器表面的温度以确保其不超过其上线类别温度。

## 13、电压爬升斜率

最大电压爬升斜率 ( $dv/dt$ ) 值决定了电容器所能承受的峰值电流, 单位为  $V/\mu s$

## 7. Insulation Resistance (I.R.)

The insulation resistance is the ration between an applied D.C. voltage and the resulting leakage current after a specified time, expressed in  $M\Omega$ .

In general, insulation resistance is used for describing smaller capacitance capacitors' insulation character. ( $C \leq 0.33\mu F$ )

## 8. Time Constant ( $\tau$ )

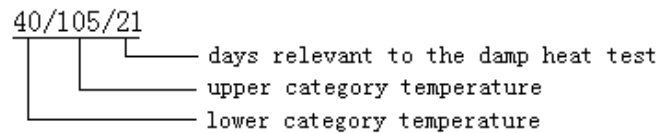
The time constant is expressed in seconds with the following formula:

$$\tau (s) = I.R. (M\Omega) \times C (\mu F)$$

In general, time constant is used for describing larger capacitance capacitors' insulation character. ( $C > 0.33\mu F$ )

## 9. Climatic Category

The climatic category which the capacitor belongs to is expressed in three numbers separated by slashes, the three numbers each express upper category temperature, lower category temperature and days relevant to the damp heat test.



## 10. Temperature Coefficient of Capacitance ( $a$ )

The charge rate of capacitance with temperature measured over a specified range of temperature. It is normally expressed in parts per million per Celsius degree ( $10^{-6}/^\circ C$ ) and referred to  $20^\circ C$ .

$$a_i = \frac{C_i - C_0}{C_0(T_i - T_0)}$$

$C_i$ : Capacitance at temperature  $T_i$ .

$C_0$ : Capacitance at temperature  $T_0$ .

## 11. Self-healing (Only for metallized film capacitor)

The process by which the electrical properties of a metalized capacitor before a local breakdown are rapidly and essentially restored after the breakdown.

## 12. Surface Overtemperature

When a capacitor is used in AC applications, associated self-heating will increase its surface temperature above the ambient temperature. It's essential to take this into account in order not to exceed the upper category temperature. A temperature check should be performed on a capacitor in case of doubt.

## 13. $dv/dt$

Maximum admissible  $dv/dt$  defines the capability of capacitor to withstand high current peak due to fast voltage changes, expressed in  $V/\mu s$ .



### 三、典型特性、应用及特性曲线

#### 1、典型特性

##### 聚酯薄膜

工作温度范围宽

介电常数大

自愈特性好

容积比大

稳定性好

##### 聚丙烯薄膜

损耗角正切值极低

绝缘电阻高

频率特性好

自愈特性好

稳定性好

#### 2、典型应用

##### 聚酯薄膜电容器

隔直和耦合

旁路

退偶

滤波

定时

低压脉冲电路

振荡电路

##### 聚丙烯薄膜电容器

交流

高频脉冲

高稳定的定时场合

开关电源

照明

工控

高 Q 滤波

### Typical Properties, Applications and Typical graphs

#### 1. Typical Properties

##### Polyester Film

Very wide operating temperature range

Bigger dielectric constant

Excellent self-healing properties

Good ratio of box size to capacitance

Good stability

##### Polypropylene Film

Very low dissipation factor( $\text{tg}\delta$ )

High insulation resistance

Good behavior at high frequency

Excellent self-healing properties

Good stability

#### 1. Typical Application

##### Polyester film capacitor

Blocking and coupling

By-passing

Decoupling

Filter

Timing

Low impulse circuits

Resonant circuits

##### Polypropylene film capacitor

A.C. application

High frequency impulse

Timing with high stability

SMPS

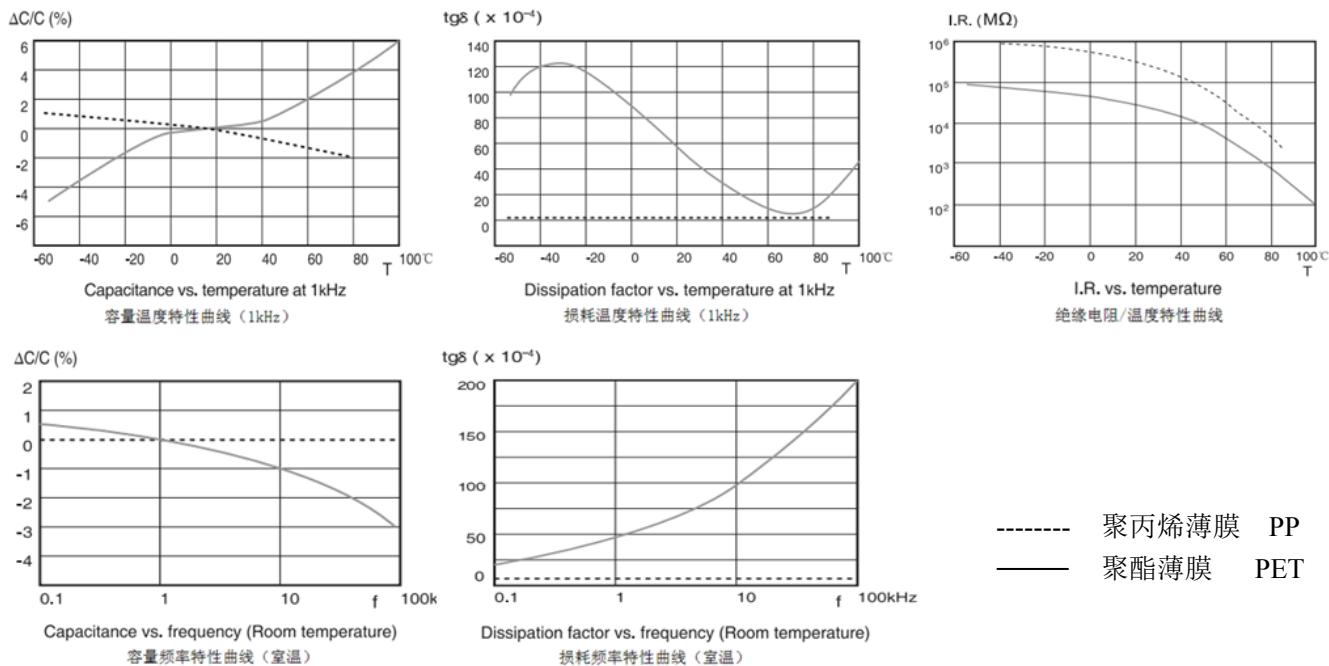
Lighting

Industrial controller

High Q filter

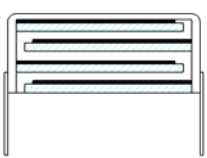
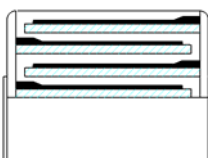
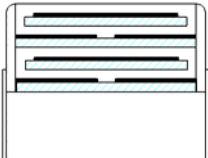
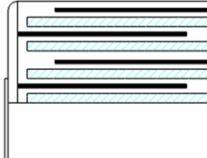
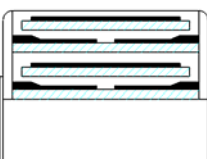
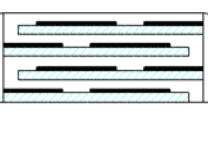
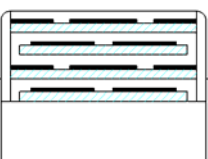
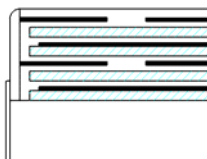


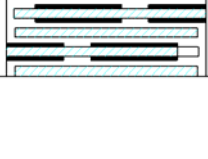
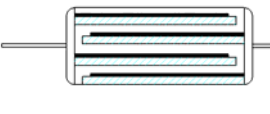




## 3、特性曲线

## Typical graphs



## 四、电容器结构示意图

## Capacitors Construction

			
CL21, CL24, CBB21, CBB24, CPS21	CL21X, CBB22, MKP61, CBB60B, CBB60T, CBB66A	CBB21, CBB24, CBB28, MKP89	膜箔式
			
MKP63, CBB66A	CBB24, CBB28, MKP89	CBB24, MKP89	CBB82
			
CBB81, CBB84	CBB81, CBB84	CBB81, CBB84	Axial (CL20, CBB20)
			
薄膜 Film		金属化膜 Metallized film	
			
双面金属化膜 Double sided metallized film		铝箔 Aluminum foil	

## 五、使用薄膜电容器的注意事项

## Caution items in using film capacitor

### 1、工作电压的选取

薄膜电容器的选用取决于其工作时所施加的最高电压，并受到施加电压的波形、电流波形、频率、环境温度（电容器外表面温度）、环境湿度、电容量等因素的影响。使用前请先检查电容器两端的电压波形、电流波形及频率是否在所选取电容器的额定值的范围内。

### 1. Chose of the operation voltage

The film capacitor varies in the maximum applicable voltage depending on the applied voltage waveform, current waveform, frequency, ambient temperature (capacitor surface temperature), capacitance value, etc. Be sure to use capacitor within its specified values by checking the voltage waveform, current waveform and frequency, the permissible voltage varies for different capacitor type.

### 2、工作电流

通过电容器的电流为电容量  $C$  与电压爬升速率  $dv/dt$  的乘积，即  $I=C \times dv/dt$ 。

当在电容器两端施加交流或脉冲电压时，由于电容器存在损耗，通过电容器的交流或脉冲电流会使电容器自身发热而产生温升，极端条件下会出现热击穿并伴随冒烟、起火的危险。因此，电容器安全使用条件不仅受额定电压的限制，而且还受到额定电流的限制。

额定电流被认为是由击穿模式决定的脉冲电流（峰值电流，由  $dv/dt$  所限制）和连续电流（通常以峰值或者有效值表示）组成，使用时需确认这两种电流都在电容器的允许范围之内。

高频高脉冲下，我们推荐使用聚丙烯薄膜电容器 CBB24。

### 2. Operation current

The A.C. or impulse current flowing though the capacitor depends on the product of voltage rise rate ( $dv/dt$ ) and capacitance:  $I=C \times dv/dt$ .

Due to the dissipation factor of the capacitor will generate the internal heat under the application of high frequency or high pulse current, temperature rise in it will occur and may cause deterioration of with standing voltage, even lead to break down. Therefore, the safety use of capacitor must be within the rated voltage and the permissible current.

The rated current must be considered by dividing into pulse current (peak current) and continuous current (rms current) depending on the break down mode, and when using, should make sure the both currents are within the permissible values.

Under the application of high frequency or high pulse, we recommend to use the polypropylene film capacitor CBB24.

### 3、各种波形的峰值与有效值换算关系

### 3. Calculation of rms in various waveform

种类 (Type)	1	2	3	4
波形 (waveform)				
有效值 (rms)	$E / \sqrt{2}$	$E/\sqrt{2}$	$E \sqrt{t/(2T)}$	$E/\sqrt{3}$
种类 (Type)	1	2	3	4
波形 (waveform)				
有效值 (rms)	$E \sqrt{t/(3T)}$	$E$	$E \sqrt{t/T}$	$\sqrt{\frac{t}{2T} (I_1^2 + I_2^2 + I_3^2 + I_4^2)}$



## 4、抑制电源电磁干扰用电容器

电容器用于电源跨线电路抑制电磁干扰时，不仅有正常的电压，还会有异常脉冲电压发生，这可能会导致电容器发生电击穿甚至冒烟或者起火。所以，电源跨线用电容器请使用经过安全认证的安规电容器。

不允许将非安规电容器用作电源跨线电容器。

### X 类抑制电源电磁干扰用电容器

适用于在电容器失效时不会导致电击危险的场合，分为 X1, X2, X3 三个类别

### Y 类抑制电源电磁干扰用电容器

适用于在电容器失效时会电击危险的场合，分为 Y1, Y2, Y3, Y4 四个类别

## 4. EMI suppression of A.C. power supply

When using a capacitor across-the-line as means for suppression of electromagnetic interference, not only the supply voltage is always applied, but also abnormal surge such as impulse voltage, which may lead the capacitor to breakdown even to smoking or firing. Therefore, please use those approved products which conform to corresponding safety standards as the across-the-line capacitor. The capacitor which is not approved will not be used in across-the-line.

### EMI suppression of A.C. power supply (Class X)

It is suitable for being used in situation where failure of the capacitor could not lead to danger of electric shock, classified as class X1, X2, X3.

### EMI suppression of A.C. power supply (Class Y)

It is suitable for being used in situation where failure of the capacitor could lead to danger of electric shock, classified as class Y1, Y2, Y3, Y4.

类别 (Class)	使用时的峰值脉冲电压 (kV) Peak impulse voltage in service(kV)	绝缘类型 Insulation type	应用 Application	耐久性实验前施加的峰值脉冲电压 (kV) Peak impulse voltage up before endurance test
X1	>2.5 ≤4.0	III	高脉冲应用 High pulse application	$C_R \leq 1.0\mu F, 4$ $C_R > 1.0\mu F, 4 / \sqrt{C_R}$
X2	≤2.5	II	一般用途 General purpose	$C_R \leq 1.0\mu F, 2.5$ $C_R > 1.0\mu F, 2.5 / \sqrt{C_R}$
X3	≤1.2	----	一般用途 General purpose	----

类别	额定电压 (Vac) Rated voltage(Vac)	耐久性实验前施加的峰值脉冲电压 (kV) Peak pulse voltage up before endurance test(kV)
Y1	≤500	8.0
Y2	≥150, ≤300	5.0
Y3	≥150, ≤250	----
Y4	<150	2.5

### 5、电容器的充电和放电

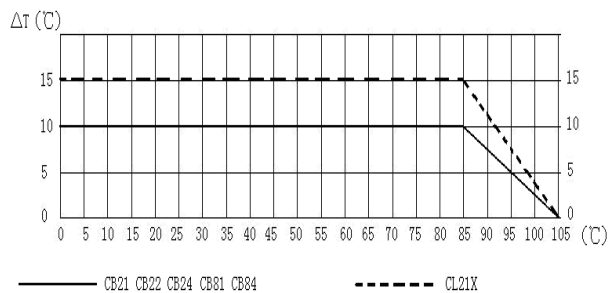
电容器的充放电电流取决于电压爬升或下降的速率  $dV/dt$  与电容量的乘积，即使是低电压充放电，也可能产生很大的瞬间电流，这可能会导致电容器性能的损害。当进行充放电时，请串联一个  $20\Omega/V \sim 1000\Omega/V$  或更高的限流电阻，将电容器的充放电电流限制在规定的范围内。

当多个薄膜电容器并联进行耐压或寿命测试时，须为每个电容器串联一个  $20\Omega/V \sim 1000\Omega/V$  或更高的限流电阻。

### 6、表面温升 ( $\Delta T$ )

当电容器用于交流或脉冲场合，由于损耗的存在，流经电容器的电流会使得电容器发热，如果发热量过大，会导致电容器短路甚至燃烧。因此流经电容器的电流不能超过产品目录所规定的最大数值。因此，监测负载时的电容器的表面温升就显得非常必要。

#### 各型号电容器表面允许最大温升



如有超出要求请联系我们的工程师。 If you need the temperature more than above, please contact our engineers.

### 7、阻燃性

薄膜电容器的外封装中使用了耐火阻燃材料——阻燃环氧树脂或塑料外壳，但外部的持续高温或火焰仍可使电容器芯子变形而产生外封装破裂，导致电容器芯子熔化或燃烧。

### 5. Charging and discharging of the capacitor

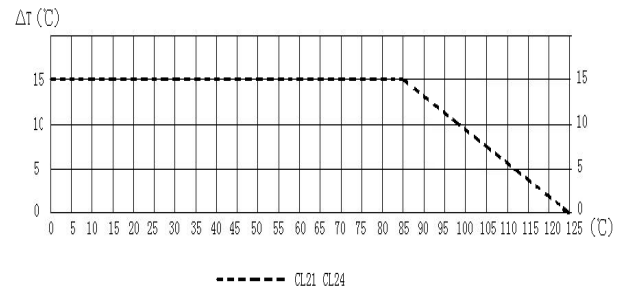
The charge and discharge current depends on the product of voltage change rate ( $dV/dt$ ) and capacitance, so low voltage charge and discharge may also cause deterioration of capacitor due to sudden charge and discharge current. While performing charge and discharge, please connect a resistance of  $20\Omega/V \sim 1000\Omega/V$  or more in series to limit the current.

When connecting few capacitors in parallel for high voltage test or endurance test, please connect a resistance of  $20\Omega/V \sim 1000\Omega/V$  or more in series to each capacitor.

### 6. Surface overtemperature

When capacitor is used in A.C. or pulse applications the current that flows though the capacitor make it heat up. If the capacitor heats up too much it might deteriorate and cause a short circuit or fire. It is essential that the current limits described in the catalogue are not allowed to exceed, so the temperature measuring on surface of the capacitor is necessary to ensure it is not overload.

#### Maximum self temperature rise for all series.



### 7. Flame retardation

Flame retardation epoxy resin or plastic case is used in the coating or encapsulating of film capacitor, continuous high ambient temperature or firing will break the coating layer or plastic case, and may lead to melting and firing of the capacitor element.

阻燃等级 Category	电容器体积范围 Volume range (mm <sup>3</sup> ) _ 施加火焰时间 (s) Flame time				最大燃烧时间 (s) Flame persistence
	体积 ≤ 250 Volume ≤ 250	体积 ≤ 500 Volume ≤ 500	体积 ≤ 1750 Volume ≤ 1750	体积 > 1750 Volume > 500	
A	15	30	60	120	3
B	10	20	30	60	10
C	5	10	20	30	30

### 8、储存条件

产品不能暴露在高温高湿的环境中，必须保存在以下环境：（不拆开原包装的基础上）

温度：-40~30°C

湿度：年平均值不超过 70%RH

全年任意 30 天不超过 80%RH

引线式产品储存时间（从产品包装或产品本体上的日期算起）：

散装产品：不超过 2 年（袋装），不超过 1 年（非袋装）

编带产品：不超过 1 年

### 8. Storage conditions

It should not be located in particularly high temperature and high humidity, it must submit to the following conditions (under the unchanging primal package):

Temperature:  $\leq 30^\circ\text{C}$

Humidity: Average per year  $\leq 70\%RH$ ; For 30 full days randomly distributed throughout the year  $\leq 80\%RH$

storage time for tinned lead wire: (from the date marked on the capacitor's body or the label glued to the package)

Bulk: not exceeding 2 years (bag), not exceeding 1 years (no bag)

Taping: not exceeding 1 year



9、焊接建议

焊接最大温度和最长时时间，见下表  
 插件产品仅适合做波峰焊接,不适于回流焊接

	最大温度 T max	最长时间 Time	备注 Note
预热 Pre-heating	110° C	1min	Others
	100° C	1min	OPP (P≤7.5)
焊接 Soldering	270° C	4s	Others
	260° C	4s	OPP (P≤7.5)

9. Soldering suggestions

Max soldering temperature and maximum time, see the form below  
 Plug parts only suitable for wave soldering, not suitable for reflow soldering

六、环保产品

RoHS

中星公司的所有产品均符合 RoHS 指令和《电子信息产品污染控制管理办法》

Environmental-friendly products

RoHS

Our products in the catalogue are RoHS Compliant

七、订购须知订购或索样前，请尽可能多地提供以下信息：

额定工作电压：A.C.，D.C.；  
 容量及其允许偏差：J、K、M等；  
 最终产品：显示器、开关电源、照明等；  
 用途或电路图：直流回路、交流脉冲回路、DC-link、DC-filter、降压等；  
 使用条件：频率、电流、脉冲峰值、温湿度等  
 外形尺寸：包括电容器本体和引出端尺寸  
 安全性：当电容器开路或者短路时对其他部件的影响，当其他部件异常时对电容器的影响。

Purchase specification

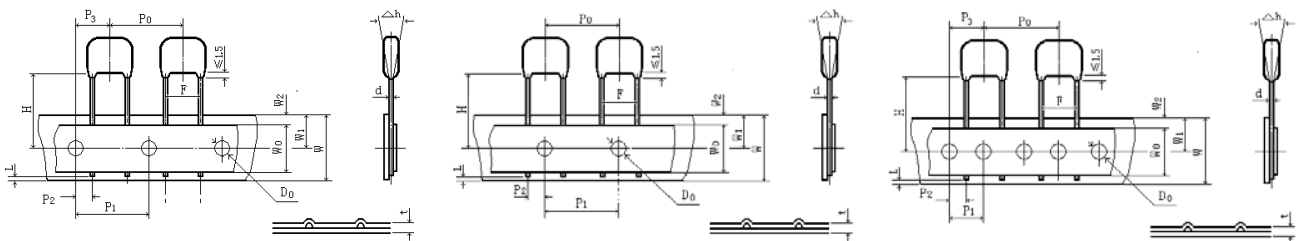
When placing an order or inquiring sample, please specify the following, as much as you can

Rated voltage: A.C., D.C.  
 Capacitance value and capacitance tolerance: J, K, M etc.  
 Finished product: Monitor, Switching power, lighting.  
 Application or circuit diagram: DC circuit, AC pulse circuit, DC-link, DC-filter, etc.  
 Condition of operation: frequency, current, impulse peak, temperature and humidity.  
 Dimension: including body and lead space.  
 Safety: Influence to the other component, when the capacitor gets short or open. Influence to the capacitor, when the other component works irregularly.

八、引线式产品包装方式

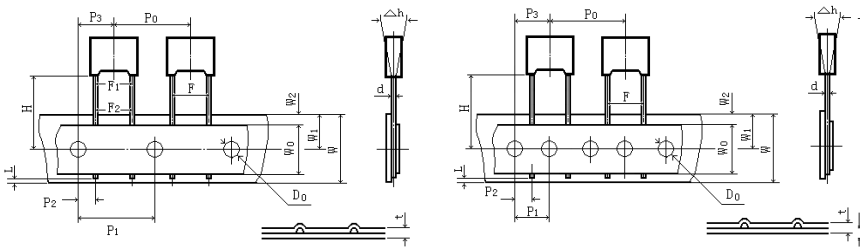
Packing for tinned-wire capacitor

1、编带外形图及尺寸对照表（浸渍型） Outline Drawing and Taping Dimensions(mm) (Dipped)



符号		P <sub>0</sub>	P <sub>1</sub>	P <sub>2</sub>	P <sub>3</sub>	F	△h	W	W <sub>0</sub>	W <sub>1</sub>	W <sub>2</sub>	H	D <sub>0</sub>	t	L
误差		±1.0	±0.2	±0.5	±1.3	±0.2 <sup>0.4</sup>	±2.0	±0.5	min	±0.5	/	±0.5	±0.2	±0.2	/
尺寸	P=5.0	12.7	12.7	3.85	6.35	5.0	0	18.0	11.0	9.0	0-3.0	18.5	4.0	0.7	0min
	P=7.5	12.7	12.7	2.6	6.35	7.5	0	18.0	11.0	9.0	0-3.0	18.5	4.0	0.7	0min
	P=10.0	12.7	12.7	5.0	/	10.0	0	18.0	11.0	9.0	0-3.0	18.5	4.0	0.7	0min
	P=15.0	25.4	12.7	5.2	12.7	15.0	0	18.0	11.0	9.0	0-3.0	18.5	4.0	0.7	0min

2、编带外形图及尺寸对照表（盒式） Outline Drawing and Taping Dimensions(mm) (Box-Type)



引出线间距 P=5mm/P=7.5mm

引出线间距 P ≥ 10mm

符号	P <sub>0</sub>	P <sub>1</sub>	P <sub>2</sub>	P <sub>3</sub>	F	Δh	W	W <sub>0</sub>	W <sub>1</sub>	W <sub>2</sub>	H	D <sub>0</sub>	t	L	
误差	±1.0	±0.2	±0.5	±1.3	±0.2 <sup>0.4</sup>	±2.0	±0.5	min	±0.5	/	±0.5	±0.2	±0.2	/	
尺寸	P=5.0	12.7	12.7	3.85	6.35	5.0	0	18.0	11.0	9.0	0-3.0	18.5	4.0	0.7	0min
	P=7.5	12.7	12.7	2.6	6.35	7.5	0	18.0	11.0	9.0	0-3.0	18.5	4.0	0.7	0min
	P=10.0	25.4	12.7	7.7	12.7	10.0	0	18.0	11.0	9.0	0-3.0	18.5	4.0	0.7	0min
	P=15.0	25.4	12.7	5.2	12.7	15.0	0	18.0	11.0	9.0	0-3.0	18.5	4.0	0.7	0min

备注：如果需要其他形式的编带，请联系我们。 Note: If you need other taping, please contact us

3、成形外形图 Outline Shaping

成形形式代码 Code of Shaping	CT形-图① CT Shaping-Picture①	CK形-图② CK Shaping-Picture②	CY形-图③ CY Shaping-Picture③
成形形式图 Outline Drawings of Shaping		 (0mm ≤ P-F ≤ 3mm)	 (2.5mm ≤ P-F ≤ 8mm)
成形形式代码 Code of Shaping	CC形-图④ CC Shaping-Picture④	CX形-图⑤ CX Shaping-Picture⑤	
成形形式图 Outline Drawings of Shaping	 (0mm ≤ P-F ≤ 3mm)	 (3mm < F-P ≤ 8mm)	

备注：

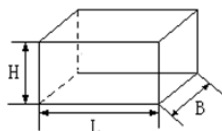
P 指成形前产品引线间距 P is lead space before kink

盒式产品同样适用 box-type is also available

如需其他形式的成形，请联系我们 if you need other shaping, please contact us

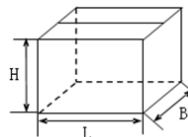
4、包装箱尺寸 Packing in bulk

内包装箱尺寸 Inner packaging box



L ± 3mm	220
B ± 3mm	200
H ± 3mm	105

外包装箱尺寸 Out packaging box



尺寸(DIM)	1	2
L ± 3mm	470	340
B ± 3mm	340	245
H ± 3mm	235	235

备注：外包装箱有大小两种尺寸，分别用1、2两种不同的下标区别。

Note: Out packing box have two difference sizes, includes the bigger one and the smaller one. Those were marking in the 1、2 different ways.





## 九、产品代码说明

## Part number system

16 位产品代码如下 The 16 digits part number is formed as follow:

1	2	3	4	5	6	7	8	9	10	11	12	13	14	15	16

第 1~4 位	薄膜电容器型号代码(见表 1)	Digit 1~4	Type code of film capacitor (see table1)
第 5~7 位	标称电容量代码 举例: 103=10×10 <sup>3</sup> pF=0.01μF	Digit 5~7	Rated capacitance value code For example: 103=10×10 <sup>3</sup> pF=0.01μF
第 8 位	标称电容量允许偏差代码 G=±2%    H=±3%    J=±5% K=±10%    M=±20%	Digit 8	Capacitance tolerance code G=±2%    H=±3%    J=±5% K=±10%    M=±20%
第 9~10 位	额定工作电压代码 (参见表 2)	Digit 9~10	Rated voltage code (See table2)
第 11 位	引线脚距代码 (引线式) (参见表 3) 对于 CBB60, CBB61, CBB65, MKP88 是外形尺寸, 参见各系列说明 对于 MKP86、MKP89 (接线片式) 是安装孔距, 参见该系列说明	Digit 11	Pitch code (for tinned-lead-wire type) (See table3) Box code For CBB60, CBB61, CBB65, MKP88 related to each series Distance of hole for fixing For MKP86、MKP89 (lug terminals) related to the MKP89 series
第 12 位	内部特征码	Digit 12	Internal use
第 13~16 位	引线及包装代码 (引线式) (参见表 4) 对于 CBB60, CBB61, MKP89, MKP89B, MKP88, CBB65 是引出端代码, 参见各系列说明	Digit 13~16	Lead form and packing code (for tinned-lead-wire type)(See table3) Terminal code (For CBB60, CBB61, MKP89, MKP89B, MKP88, CBB65 related to each series)

例如:

For example:

**MK61 104 K P2 6 0 B350**

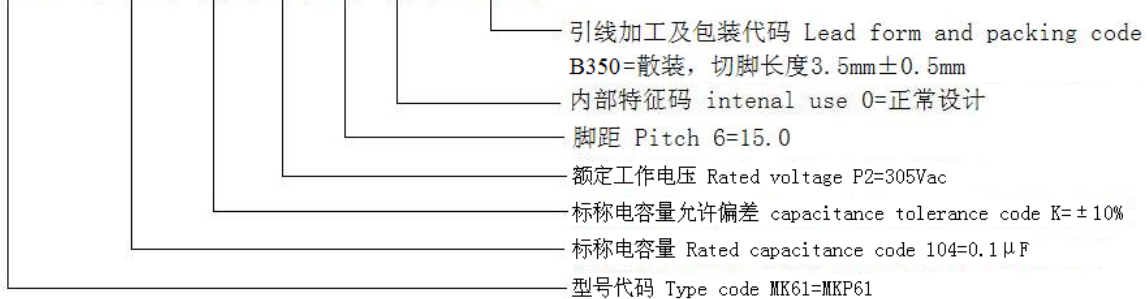


表 1 薄膜电容器型号代码 Table1 Series code of film capacitor

Capacitor Type	CL20	CL21	CL21X	CL24	CL62	CDHX	CBB20	CBB21	CBB22
Series code	CL20	CL21	CL22	CL24	CL62	CDH	CB20	CB21	CB22
Capacitor Type	CBB24	CBB25	CBB25F	CBB60	CBB60B	CBB60H	CBB60T	CBB61	CBB62
Series code	CB24	CB25	C25F	CB60	C60B	C60H	C60T	CB61	CB62
Capacitor Type	CBB66A	CBB66H	CBB81	CBB82	CBB84	MKP61	MKP61F	MKP61R	MKP63
Series code	C66A	C66H	CB81	CB82	CB84	MK61	M61F	M61R	MK63
Capacitor Type	MKP65	MKP86	MKP88	MKP89	MKP89B	CPS21			
Series code	MK65	MK86	MK88	MK89	C89B	CS21			

表 2 额定工作电压代码 Table2 Rated voltage code

	A	B	C	D	E	F	G	H	I	J	K	L	M
1					230			50		63			
2	100	125	160	200	250	300	400	500		630		120	180
3	1000	1250	1600	2000	2500	3000	4000	530			1100	1200	1400
4		1500	2600									2200	2400
	N	O	P	Q	R	S	T	U	V	W	X	Y	Z
1	220		280	320	380	440	550	600	700	800	900		
2	240		305	330		450	520	650	760	850			
3	275		310	350	420	480	560	660	750			1300	3200
4					470					2800		1700	3600

数字加字母表示直流额定工作电压，字母加数字表示交流额定工作电压，如：2E=250Vdc N3=275Vac

Number and then letter indicate DC, but letter and then number indicate AC. For example: 2E=250Vdc N3=275Vac

表 3 脚距代码 Table3 Pitch code

0	2	3	4	5	6	7	8	9
axial	5.0	7.5	10.0	12.5	15.0	17.5	20.0	22.5
A	B	C	D	E	F	G	H	I
25.0	27.5	30.0	32.5	37.5	42.5	52.5	55	

表 4 引线加工和包装代码 Table4 Lead form and packing code

第13位 Digit13		第14位 Digit14		第15位 Digit15		第16位 Digit16		
代码 Code	说明 explanation	代码 Code	说明 explanation	代码 Code	说明 explanation	代码 Code	孔间距 pitch-row	说明 explanation
A or R	弹带包装或卷带包装 ammo-pack or reel-pack	0	F=5.0mm	0	直脚 Straight	0	P <sub>1</sub> =12.7mm	产品在两个载带孔之间 each capacitor between two consecutive holes
		1	F=7.5mm			2	P <sub>1</sub> =15.0mm	
		2	F=10.0mm	K	CK弯脚 CK kinked	1	P <sub>1</sub> =12.7mm	载带孔在产品引线之间 consecutive hole between two leads of the capacitor
		3	F=15.0mm			3	P <sub>1</sub> =15.0mm	
K or Y	CK成型或CY成型 lead kinked (in bulk)	0	F=5.0mm	0	h1=3.5mm	0	/	h1长度偏差±0.5mm h1 length tolerance ±0.5mm
		1	F=7.5mm					
		2	F=10.0mm					
		3	F=15.0mm					
B	散装或切脚 in bulk or cut lead (in bulk)	00	标准引线长度15mm (min) standard lead length 15mm (min)		0	/	引线长度偏差±0.5mm Length tolerance ±0.5mm	
		35	引线长度3.5mm lead length 3.5mm					

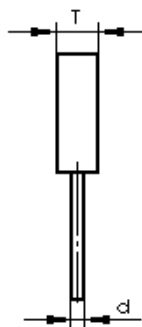
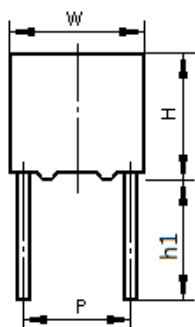


MKP61

MKP61 series

## MKP61 抑制电源电磁干扰薄膜电容 (X2 类, 275Vac/305Vac/310Vac/350Vac) Metallized Polypropylene Film Interference Suppression Capacitor (Class X2)

### ◆ 外形尺寸图及产品结构 Outline Drawing and Capacitor Construction



$W \pm 0.4, H \pm 0.4, T \pm 0.4, P \pm 0.4$

### ◆ 特点及用途 Application and Feature

具有耐压高、绝缘电阻高、频率响应快等特点；塑料外壳，阻燃环氧树脂（UL94 V-0）灌封。广泛用于电源跨线电路等抗干扰场合。

High voltage, High insulation resistance, Good frequency response; Plastic case, Epoxy resin sealing (UL94 V-0). Widely used in across-the-line, interference suppression circuit, ect.

### ◆ 技术要求 Specifications

参照标准 Reference Standard	GB/T6346.14、IEC 60384-14		
气候类别/阻燃等级 Climatic category/Passive Flammability Class	40/110/56/B		
工作温度范围 Operation Temperature Range	-40°C~+110°C		
额定电压 Rated Voltage	275Vac/305Vac/310Vac, 350Vac (50/60Hz)		
最大连续电压 Maximum Continuous Voltage	630Vdc		
电容量范围 Capacitance Range	0.001μF~45.0μF		
电容量偏差 Capacitance Tolerance	±10%(K)、±20%(M)(20°C, 1kHz)		
耐电压 Voltage Proof	引线之间 Between Terminals	4.3U <sub>R</sub> (dc), 2s	
	极壳之间 Between Terminals to case	2120Vac (1min)	
绝缘电阻 Insulation Resistance	C <sub>R</sub> ≤ 0.33μF, IR ≥ 15 000 MΩ C <sub>R</sub> > 0.33μF, IR × C ≥ 5 000s (20°C, 100V, 1min)		
损耗角正切 Dissipation Factor	0.001μF ≤ C <sub>R</sub> ≤ 0.01μF	≤ 0.0020 (1kHz, 20°C)	≤ 0.0020 (10kHz, 20°C)
	0.01μF < C <sub>R</sub> ≤ 0.47μF	≤ 0.0010 (1kHz, 20°C)	≤ 0.0020 (10kHz, 20°C)
	0.47μF ≤ C <sub>R</sub> ≤ 1.0μF	≤ 0.0020 (1kHz, 20°C)	≤ 0.0040 (10kHz, 20°C)
	1.0μF ≤ C <sub>R</sub> ≤ 10.0μF	≤ 0.0030 (1kHz, 20°C)	
	10.0μF < C <sub>R</sub> ≤ 50.0μF	≤ 0.0040 (1kHz, 20°C)	

### ◆ 安全认证 Safety Approvals

	CQC (中国)	GBT 6346.14, X2, 275Vac/305Vac, 0.001μF~45μF, 40/110/56/B Certificate No.: CQC03001007919 IEC 60384-14, X2, 310Vac/630Vdc/560Vdc, 0.001μF~25μF, 40/110/56/B Certificate No.: CQC19001229855 IEC 60384-14, X2, 350Vac, 0.01μF~20μF, 40/110/56/B Certificate No.: CQC19001217875
	ENEC (欧盟)	IEC 60384-14, X2, 275Vac/305Vac, 0.001μF~45μF, 40/110/56/B Certificate No.: 40032626 IEC 60384-14, X2, 310Vac/630Vdc/560Vdc, 0.001μF~25μF, 40/110/56/B Certificate No.: HN 69262302 IEC 60384-14, X2, 350Vac, 0.01μF~20μF, 40/110/56/B Certificate No.: HN 69262166
	UL-CUL (美国/加拿大)	UL60384-14, CSA E60384-1, CSA E60384-14 X2, 275Vac/305Vac/310Vac/350Vac, 0.0010μF~45μF, 40/110/56/B Certificate No.: E217215
	KTL (韩国)	K60384-1, K60384-14, X2, 305Vac, 0.0010μF~45μF, 40/110/56/B Certificate No.: SU03046-10001A/10002A/13001/13002/13003

◆ 产品尺寸: Product Dimension:

275Vac▲/305Vac▲/310Vac															
C (μF)	W	H	T	P	d	产品代码 Part number	MOQ	C (μF)	W	H	T	P	d	产品代码 Part number	MOQ
0.001	10.5	9.0	4.0	7.5	0.6	MK61102-P330****	1000	0.039	13.0	9.0	4.0	10.0	0.6	MK61393-P340****	500
0.0012	10.5	9.0	4.0	7.5	0.6	MK61122-P330****	1000	0.047	13.0	11.0	5.0	10.0	0.6	MK61473-P340****	500
0.0015	10.5	9.0	4.0	7.5	0.6	MK61152-P330****	1000	0.056	13.0	11.0	5.0	10.0	0.6	MK61563-P340****	500
0.0018	10.5	9.0	4.0	7.5	0.6	MK61182-P330****	1000	0.068	13.0	11.0	5.0	10.0	0.6	MK61683-P340****	500
0.0022	10.5	9.0	4.0	7.5	0.6	MK61222-P330****	1000	0.082	13.0	12.0	6.0	10.0	0.6	MK61823-P340****	500
0.0027	10.5	9.0	4.0	7.5	0.6	MK61272-P330****	1000	0.1	13.0	12.0	6.0	10.0	0.6	MK61104-P340****	500
0.0033	10.5	9.0	4.0	7.5	0.6	MK61332-P330****	1000	0.12	13.0	13.0	7.0	10.0	0.6	MK61124-P340****	500
0.0039	10.5	9.0	4.0	7.5	0.6	MK61392-P330****	1000	0.15	13.0	13.0	7.0	10.0	0.6	MK61154-P340****	500
0.0047	10.5	9.0	4.0	7.5	0.6	MK61472-P330****	1000	0.01	18.0	11.0	5.0	15.0	0.6	MK61103-P360****	500
0.0056	10.5	9.0	4.0	7.5	0.6	MK61562-P330****	1000	0.012	18.0	11.0	5.0	15.0	0.6	MK61123-P360****	500
0.0068	10.5	9.0	4.0	7.5	0.6	MK61682-P330****	1000	0.015	18.0	11.0	5.0	15.0	0.6	MK61153-P360****	500
0.0082	10.5	9.0	4.0	7.5	0.6	MK61822-P330****	1000	0.018	18.0	11.0	5.0	15.0	0.6	MK61183-P360****	500
0.01	10.5	9.0	4.0	7.5	0.6	MK61103-P330****	1000	0.022	18.0	11.0	5.0	15.0	0.6	MK61223-P360****	500
0.012	10.5	9.0	4.0	7.5	0.6	MK61123-P330****	1000	0.027	18.0	11.0	5.0	15.0	0.6	MK61273-P360****	500
0.015	10.5	9.0	4.0	7.5	0.6	MK61153-P330****	1000	0.033	18.0	11.0	5.0	15.0	0.6	MK61333-P360****	500
0.018	10.5	9.0	4.0	7.5	0.6	MK61183-P330****	1000	0.039	18.0	11.0	5.0	15.0	0.6	MK61393-P360****	500
0.022	10.5	9.0	4.0	7.5	0.6	MK61223-P330****	1000	0.047	18.0	11.0	5.0	15.0	0.6	MK61473-P360****	500
0.027	10.5	11.0	5.0	7.5	0.6	MK61273-P330****	1000	0.056	18.0	11.0	5.0	15.0	0.6	MK61563-P360****	500
0.033	10.5	11.0	5.0	7.5	0.6	MK61333-P330****	1000	0.068	18.0	11.0	5.0	15.0	0.6	MK61683-P360****	500
0.039	10.5	11.0	5.0	7.5	0.6	MK61393-P330****	1000	0.082	18.0	11.0	5.0	15.0	0.6	MK61823-P360****	500
0.047	10.5	12.0	6.0	7.5	0.6	MK61473-P330****	1000	0.1	18.0	11.0	5.0	15.0	0.6	MK61104-P360****	500
0.0047	13.0	9.0	4.0	10.0	0.6	MK61472-P340****	500	0.12	18.0	11.0	5.0	15.0	0.6	MK61124-P360****	500
0.0056	13.0	9.0	4.0	10.0	0.6	MK61562-P340****	500	0.15	18.0	12.0	6.0	15.0	0.8	MK61154-P360****	500
0.0068	13.0	9.0	4.0	10.0	0.6	MK61682-P340****	500	0.18	18.0	12.0	6.0	15.0	0.8	MK61184-P360****	500
0.0082	13.0	9.0	4.0	10.0	0.6	MK61822-P340****	500	0.22	18.0	13.5	6.0	15.0	0.8	MK61224-P360****	500
0.01	13.0	9.0	4.0	10.0	0.6	MK61103-P340****	500	0.27	18.0	13.5	7.5	15.0	0.8	MK61274-P360****	500
0.012	13.0	9.0	4.0	10.0	0.6	MK61123-P340****	500	0.33	18.0	14.5	8.5	15.0	0.8	MK61334-P361****	500
0.015	13.0	9.0	4.0	10.0	0.6	MK61153-P340****	500	0.39	18.0	14.5	8.5	15.0	0.8	MK61394-P360****	500
0.018	13.0	9.0	4.0	10.0	0.6	MK61183-P340****	500	0.47	18.0	16.0	10.0	15.0	0.8	MK61474-P360****	500
0.022	13.0	9.0	4.0	10.0	0.6	MK61223-P340****	500	0.56	18.0	19.0	11.0	15.0	0.8	MK61564-P360****	500
0.027	13.0	9.0	4.0	10.0	0.6	MK61273-P340****	500	0.68	18.0	19.0	11.0	15.0	0.8	MK61684-P360****	500
0.033	13.0	9.0	4.0	10.0	0.6	MK61333-P340****	500	0.82	18.0	21.0	12.0	15.0	0.8	MK61824-P360****	500

备注:

“-”: 客户要求的容量偏差

“\*\*\*\*”: 引线加工和包装代码 (见 15 页表 4)

“▲”: 当额定电压为 275Vac 时, 第 9~10 位为 N3

“▲”: 当额定电压为 305Vac 时, 第 9~10 位为 P2

MOQ: 最小订单量

“-”=custom's capacitor tolerance code, K=±10%, M=±20%

“\*\*\*\*”= Lead form and packing code (refer to table 4 in page 15)

“▲”=when the rated voltage is 275Vac, the digit 9~10 is N3

“▲”=when the rated voltage is 305Vac, the digit 9~10 is P2

MOQ = Minimum order quantity



# MKP61

## MKP61 series

### ◆产品尺寸: Product Dimension:

275Vac▲/305Vac▲/310Vac															
C (μF)	W	H	T	P	d	产品代码 Part number	MOQ	C (μF)	W	H	T	P	d	产品代码 Part number	MOQ
0.15	26.5	15.0	6.0	22.5	0.8	MK61154-P390****	500	2.7	32.0	24.5	15.0	27.5	0.8	MK61275-P3B0****	100
0.22	26.5	15.0	6.0	22.5	0.8	MK61224-P390****	500	3.3	32.0	28.0	17.0	27.5	0.8	MK61335-P3B0****	50
0.27	26.5	15.0	6.0	22.5	0.8	MK61274-P390****	500	3.9	32.0	33.0	18.0	27.5	0.8	MK61395-P3B0****	50
0.33	26.5	15.0	6.0	22.5	0.8	MK61334-P390****	500	4.7	32.0	37.0	22.0	27.5	0.8	MK61475-P3B0****	50
0.39	26.5	15.0	6.0	22.5	0.8	MK61394-P390****	500	1.5	42.0	22.0	11.0	37.5	1.0	MK61155-P3E0****	50
0.47	26.5	16.0	7.0	22.5	0.8	MK61474-P390****	500	1.8	42.0	22.0	11.0	37.5	1.0	MK61185-P3E0****	50
0.56	26.5	16.0	7.0	22.5	0.8	MK61564-P390****	500	2.2	42.0	24.0	13.0	37.5	1.0	MK61225-P3E0****	50
0.68	26.5	17.0	8.5	22.5	0.8	MK61684-P390****	500	2.7	42.0	24.0	13.0	37.5	1.0	MK61275-P3E0****	50
0.82	26.5	18.5	10.0	22.5	0.8	MK61824-P390****	200	3.3	42.0	28.0	14.0	37.5	1.0	MK61335-P3E0****	50
1.0	26.5	18.5	10.0	22.5	0.8	MK61105-P390****	200	3.9	42.0	30.0	16.0	37.5	1.0	MK61395-P3E0****	50
1.2	26.5	20.0	11.0	22.5	0.8	MK61125-P390****	200	4.7	42.0	30.0	16.0	37.5	1.0	MK61475-P3E0****	50
1.5	26.5	22.0	12.0	22.5	0.8	MK61155-P390****	200	5.6	42.0	33.5	18.5	37.5	1.0	MK61565-P3E0****	50
1.8	26.5	24.5	15.5	22.5	0.8	MK61185-P390****	200	6.8	42.0	33.5	18.5	37.5	1.0	MK61685-P3E0****	50
2.2	26.5	24.5	15.5	22.5	0.8	MK61225-P390****	200	8.2	42.0	37.0	22.0	37.5	1.0	MK61825-P3E0****	50
0.33	32.0	18.0	9.0	27.5	0.8	MK61334-P3B0****	200	10	42.0	41.0	26.0	37.5	1.0	MK61106-P3E0****	20
0.39	32.0	18.0	9.0	27.5	0.8	MK61394-P3B0****	200	12	42.0	43.0	28.0	37.5	1.0	MK61126-P3E0****	20
0.47	32.0	18.0	9.0	27.5	0.8	MK61474-P3B0****	200	15	42.0	45.0	30.0	37.5	1.0	MK61156-P3E0****	20
0.56	32.0	18.0	9.0	27.5	0.8	MK61564-P3B0****	200	20	42.0	57.0	30.0	37.5	1.0	MK61206-P3E0****	20
0.68	32.0	18.0	9.0	27.5	0.8	MK61684-P3B0****	200	20	57.0	45.0	30.0	52.5	1.2	MK61206-P3G0****	20
0.82	32.0	18.0	9.0	27.5	0.8	MK61824-P3B0****	200	25	57.0	50.0	35.0	52.5	1.2	MK61256-P3G0****	20
1.0	32.0	18.0	9.0	27.5	0.8	MK61105-P3B0****	200	30	57.0	50.0	40.0	52.5	1.2	MK61306-P3G0****	20
1.2	32.0	20.0	11.0	27.5	0.8	MK61125-P3B0****	100	35	57.0	55.0	40.0	52.5	1.2	MK61356-P3G0****	20
1.5	32.0	20.0	11.0	27.5	0.8	MK61155-P3B0****	100	40	57.0	60.0	45.0	52.5	1.2	MK61406-P3G0****	20
1.8	32.0	22.0	13.0	27.5	0.8	MK61185-P3B0****	100	45	57.0	65.0	45.0	52.5	1.2	MK61456-P3G0****	20
2.2	32.0	25.0	13.0	27.5	0.8	MK61225-P3B0****	100								

备注:

“-”: 客户要求的容量偏差

“\*\*\*\*”: 引线加工和包装代码 (见 15 页表 4)

“▲”: 当额定电压为 275Vac 时, 第 9~10 位为 N3

“▲”: 当额定电压为 305Vac 时, 第 9~10 位为 P2

MOQ: 最小订单量

“-”=custom's capacitor tolerance code, K=±10%, M=±20%

“\*\*\*\*”= Lead form and packing code (refer to table 4 in page 15)

“▲”=when the rated voltage is 275Vac, the digit 9~10 is N3

“▲”=when the rated voltage is 305Vac, the digit 9~10 is P2

MOQ = Minimum order quantity

◆ 产品尺寸: Product Dimension:

350Vac																
C (μF)	W	H	T	P	d	产品代码 Part number	MOQ	C (μF)	W	H	T	P	d	产品代码 Part number	MOQ	
0.01	13.0	9.0	4.0	10.0	0.6	MK61103-Q340****	500	0.1	18.0	12.0	6.0	15.0	0.6	MK61104-Q360****	500	
0.012	13.0	9.0	4.0	10.0	0.6	MK61123-Q340****	500	0.12	18.0	13.5	7.5	15.0	0.6	MK61124-Q360****	500	
0.015	13.0	9.0	4.0	10.0	0.6	MK61153-Q340****	500	0.15	18.0	13.5	7.5	15.0	0.6	MK61154-Q360****	500	
0.018	13.0	9.0	4.0	10.0	0.6	MK61183-Q340****	500	0.18	18.0	14.5	8.5	15.0	0.6	MK61184-Q360****	500	
0.022	13.0	9.0	4.0	10.0	0.6	MK61223-Q340****	500	0.22	18.0	14.5	8.5	15.0	0.6	MK61224-Q360****	500	
0.027	13.0	11.0	5.0	10.0	0.6	MK61273-Q340****	500	0.27	18.0	16.0	10.0	15.0	0.8	MK61274-Q360****	500	
0.033	13.0	11.0	5.0	10.0	0.6	MK61333-Q340****	500	0.33	18.0	19.0	11.0	15.0	0.8	MK61334-Q360****	500	
0.039	13.0	11.0	5.0	10.0	0.6	MK61393-Q340****	500	0.1	26.5	15.0	6.0	22.5	0.8	MK61104-Q390****	500	
0.047	13.0	12.0	6.0	10.0	0.6	MK61473-Q340****	500	0.12	26.5	15.0	6.0	22.5	0.8	MK61124-Q390****	500	
0.056	13.0	12.0	6.0	10.0	0.6	MK61563-Q340****	500	0.15	26.5	15.0	6.0	22.5	0.8	MK61154-Q390****	500	
0.01	18.0	9.5	5.0	15.0	0.6	MK61103-Q360****	500	0.18	26.5	15.0	6.0	22.5	0.8	MK61184-Q390****	500	
0.012	18.0	9.5	5.0	15.0	0.6	MK61123-Q360****	500	0.22	26.5	15.0	6.0	22.5	0.8	MK61224-Q390****	500	
0.015	18.0	9.5	5.0	15.0	0.6	MK61153-Q360****	500	0.27	26.5	15.0	6.0	22.5	0.8	MK61274-Q390****	500	
0.018	18.0	9.5	5.0	15.0	0.6	MK61183-Q360****	500	0.33	26.5	16.0	7.0	22.5	0.8	MK61334-Q390****	500	
0.022	18.0	9.5	5.0	15.0	0.6	MK61223-Q360****	500	0.39	26.5	17.0	8.5	22.5	0.8	MK61394-Q390****	500	
0.027	18.0	9.5	5.0	15.0	0.6	MK61273-Q360****	500	0.47	26.5	17.0	8.5	22.5	0.8	MK61474-Q390****	500	
0.033	18.0	9.5	5.0	15.0	0.6	MK61333-Q360****	500	0.56	26.5	18.5	10.0	22.5	0.8	MK61564-Q390****	500	
0.039	18.0	9.5	5.0	15.0	0.6	MK61393-Q360****	500	0.68	26.5	18.5	10.0	22.5	0.8	MK61684-Q390****	500	
0.047	18.0	11.0	5.0	15.0	0.6	MK61473-Q360****	500	0.82	26.5	20.0	11.0	22.5	0.8	MK61824-Q390****	200	
0.056	18.0	11.0	5.0	15.0	0.6	MK61563-Q360****	500	1	26.5	22.0	12.0	22.5	0.8	MK61105-Q390****	200	
0.068	18.0	12.0	6.0	15.0	0.6	MK61683-Q360****	500	1.2	26.5	23.0	13.5	22.5	0.8	MK61125-Q390****	200	
0.082	18.0	12.0	6.0	15.0	0.6	MK61823-Q360****	500	1.5	26.5	24.5	15.5	22.5	0.8	MK61155-Q390****	200	

备注:

“-”: 客户要求的容量偏差

“\*\*\*\*”: 引线加工和包装代码 (见 15 页表 4)

MOQ: 最小订单量

“-”=custom's capacitor tolerance code, K=±10%, M=±20%

“\*\*\*\*”= Lead form and packing code (refer to table 4 in page 15)

MOQ = Minimum order quantity



# MKP61

MKP61 series

◆产品尺寸: Product Dimension:

350Vac															
C (μF)	W	H	T	P	d	产品代码 Part number	MOQ	C (μF)	W	H	T	P	d	产品代码 Part number	MOQ
0.22	32.0	18.0	9.0	27.5	0.8	MK61224-Q3B0****	200	0.56	42.0	22.0	11.0	37.5	1.0	MK61564-Q3E0****	50
0.27	32.0	18.0	9.0	27.5	0.8	MK61274-Q3B0****	200	0.68	42.0	22.0	11.0	37.5	1.0	MK61684-Q3E0****	50
0.33	32.0	18.0	9.0	27.5	0.8	MK61334-Q3B0****	200	0.82	42.0	22.0	11.0	37.5	1.0	MK61824-Q3E0****	50
0.39	32.0	18.0	9.0	27.5	0.8	MK61394-Q3B0****	200	1	42.0	22.0	11.0	37.5	1.0	MK61105MQ3E0****	50
0.47	32.0	18.0	9.0	27.5	0.8	MK61474-Q3B0****	200	1.2	42.0	22.0	11.0	37.5	1.0	MK61125-Q3E0****	50
0.56	32.0	18.0	9.0	27.5	0.8	MK61564-Q3B0****	200	1.5	42.0	24.0	13.0	37.5	1.0	MK61155-Q3E0****	50
0.68	32.0	18.0	9.0	27.5	0.8	MK61684-Q3B0****	200	1.8	42.0	24.0	13.0	37.5	1.0	MK61185-Q3E0****	50
0.82	32.0	20.0	11.0	27.5	0.8	MK61824-Q3B0****	100	2.2	42.0	26.0	15.0	37.5	1.0	MK61225-Q3E0****	50
1	32.0	20.0	11.0	27.5	0.8	MK61105-Q3B0****	100	2.7	42.0	28.0	14.0	37.5	1.0	MK61275-Q3E0****	50
1.2	32.0	22.0	13.0	27.5	0.8	MK61125-Q3B0****	100	3.3	42.0	30.0	16.0	37.5	1.0	MK61335-Q3E0****	50
1.5	32.0	25.0	13.0	27.5	0.8	MK61155-Q3B0****	100	3.9	42.0	32.0	17.0	37.5	1.0	MK61395-Q3E0****	50
1.8	32.0	24.5	15.0	27.5	0.8	MK61185-Q3B0****	100	4.7	42.0	34.0	20.0	37.5	1.0	MK61475-Q3E0****	50
2.2	32.0	30.0	16.0	27.5	0.8	MK61225-Q3B0****	50	5.6	42.0	37.0	22.0	37.5	1.0	MK61565-Q3E0****	20
2.7	32.0	33.0	18.0	27.5	0.8	MK61275-Q3B0****	50	6.8	42.0	37.0	26.0	37.5	1.0	MK61685-Q3E0****	20
3.3	32.0	33.0	18.0	27.5	0.8	MK61335-Q3B0****	50	8.2	42.0	41.0	26.0	37.5	1.0	MK61825-Q3E0****	20
3.9	32.0	37.0	22.0	27.5	0.8	MK61395-Q3B0****	50	10	42.0	45.0	30.0	37.5	1.0	MK61106-Q3E0****	20
4.7	32.0	37.0	22.0	27.5	0.8	MK61475-Q3B0****	50	15	57.0	45.0	30.0	52.5	1.2	MK61156-Q3G0****	20
0.33	42.0	22.0	11.0	37.5	1.0	MK61334-Q3E0****	50	18	57.0	45.0	35.0	52.5	1.2	MK61186-Q3G0****	20
0.39	42.0	22.0	11.0	37.5	1.0	MK61394-Q3E0****	50	20	57.0	50.0	35.0	52.5	1.2	MK61206-Q3G0****	20
0.47	42.0	22.0	11.0	37.5	1.0	MK61474-Q3E0****	50								

备注:

“-”: 客户要求的容量偏差

“\*\*\*\*”: 引线加工和包装代码 (见 15 页表 4)

MOQ: 最小订单量

“-”=custom's capacitor tolerance code, K=±10%, M=±20%

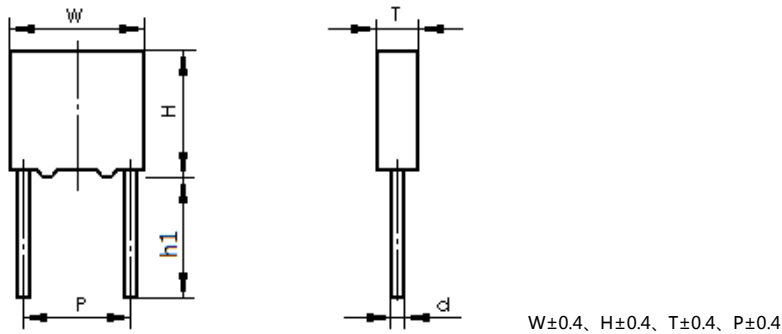
“\*\*\*\*”= Lead form and packing code (refer to table 4 in page 15)

MOQ = Minimum order quantity



## MKP61 抑制电源电磁干扰薄膜电容器(X2 类,小型化, 275Vac/305Vac/310Vac) Metallized Polypropylene Film Interference Suppression Capacitor (Class X2, Miniature Version)

### ◆ 外形尺寸图及产品结构 Outline Drawing and Capacitor Construction



### ◆ 特点及用途 Application and Feature





塑料外壳(UL94 V-0), 阻燃环氧树脂灌封; 广泛用于电源跨线路等抗干扰场合(室内)。

Plastic case (UL94 V-0), Epoxy resin sealing; Widely used in across-the-line, interference suppression circuit, ect (Indoor applications) .

### ◆ 技术要求 Specifications

参照标准 Reference Standard	GBT6346.14、IEC 60384-14		
气候类别/阻燃等级 Climatic category/Passive Flammability Class	40/110/56/B		
工作温度范围 Operation Temperature Range	-40℃~+110℃		
额定电压 Rated Voltage	275Vac/305Vac/310Vac (50/60Hz)		
最大连续直流电压 Maximum Continuous DC Voltage	560Vdc		
电容量范围 Capacitance Range	0.027μF~45.0μF		
电容量偏差 Capacitance Tolerance	±10%(K)、±20%(M)(20℃, 1kHz)		
耐电压 Voltage Proof	引线之间 Between Terminals	4.3U <sub>R</sub> (dc) , 2s	
	极壳之间 Between Terminals to case	2120Vac (1min)	
绝缘电阻 Insulation Resistance	C <sub>R</sub> ≤0.33μF, IR≥15 000 MΩ C <sub>R</sub> >0.33μF, IR×C≥5 000s (20℃, 100V, 1min)		
损耗角正切 Dissipation Factor	0.001μF≤C <sub>R</sub> ≤0.01μF	≤0.0020 (1kHz, 20℃)	≤0.0020 (10kHz, 20℃)
	0.01μF<C <sub>R</sub> ≤0.47μF	≤0.0010 (1kHz, 20℃)	≤0.0020 (10kHz, 20℃)
	0.47μF≤C <sub>R</sub> ≤1.0μF	≤0.0020 (1kHz, 20℃)	≤0.0040 (10kHz, 20℃)
	1.0μF≤C <sub>R</sub> ≤10.0μF	≤0.0030 (1kHz, 20℃)	
	10.0μF<C <sub>R</sub> ≤50.0μF	≤0.0040 (1kHz, 20℃)	

### ◆ 安全认证 Safety Approvals

	CQC (中国)	GBT 6346.14, X2, 275Vac/305Vac, 0.001μF~45μF, 40/110/56/B Certificate No.: CQC03001007919 IEC 60384-14, X2, 310Vac/630Vdc/560Vdc, 0.001μF~25μF, 40/110/56/B Certificate No.: CQC19001229855
	ENEC (欧盟)	IEC 60384-14, X2, 275Vac/305Vac, 0.001μF~45μF, 40/110/56/B Certificate No.: 40032626 IEC 60384-14, X2, 310Vac/630Vdc/560Vdc, 0.001μF~25μF, 40/110/56/B Certificate No.: HN 69262302
	UL-CUL (美国/加拿大)	UL60384-14, CSA E60384-1, CSA E60384-14 X2, 275Vac/305Vac/310Vac, 0.001μF~45μF, 40/110/56/B Certificate No.: E217215
	KTL (韩国)	K60384-1, K60384-14, X2, 305Vac, 0.001μF~45μF, 40/110/56/B Certificate No.:SU03046-10001A/10002A/13001/13002/13003



# MKP61 (Mini)

## MKP61 series (Mini)

### ◆ 产品尺寸: Product Dimension:

275Vac <sup>▲</sup> /305Vac <sup>▲</sup> /310Vac																
C (μF)	W	H	T	P	d	产品代码 Part number	MOQ	C (μF)	W	H	T	P	d	产品代码 Part number	MOQ	
0.027	10.5	9.0	4.0	7.5	0.6	MK61273-P33M****	1000	0.22	13.0	18.0	6.0	10.0	0.6	MK61224-P34N****	500	
0.033	10.5	9.0	4.0	7.5	0.6	MK61333-P33M****	1000	0.27	13.0	15.0	8.0	10.0	0.6	MK61274-P34M****	500	
0.039	10.5	9.0	4.0	7.5	0.6	MK61393-P33M****	1000	0.33M	13.0	17.5	8.0	10.0	0.6	MK61334MP342****	500	
0.047	10.5	10.0	5.0	7.5	0.6	MK61473-P33M****	1000	0.15	18.0	11.0	5.0	15.0	0.6	MK61154-P36M****	500	
0.056	10.5	10.0	5.0	7.5	0.6	MK61563-P33M****	1000	0.18	18.0	11.0	5.0	15.0	0.6	MK61184-P36M****	500	
0.068	10.5	11.0	5.0	7.5	0.6	MK61683-P33M****	1000	0.22M	17.5	11.5	5.5	15.0	0.6	MK61224MP36N****	500	
0.082	10.5	12.0	6.0	7.5	0.6	MK61823-P33M****	1000	0.22	18.0	12.0	6.0	15.0	0.8	MK61224-P36M****	500	
0.1	10.5	12.0	6.0	7.5	0.6	MK61104-P33M****	1000	0.27	18.0	12.0	6.0	15.0	0.8	MK61274-P36M****	500	
0.12	10.5	13.0	7.0	7.5	0.6	MK61124-P33M****	1000	0.33	18.0	13.0	7.0	15.0	0.8	MK61334-P36M****	500	
0.047	13.0	9.0	4.0	10.0	0.6	MK61473-P34M****	500	0.39	18.0	13.5	7.5	15.0	0.8	MK61394-P36M****	500	
0.1	13.0	11.0	5.0	10.0	0.6	MK61104-P34M****	500	0.47	18.0	14.5	8.5	15.0	0.8	MK61474-P36M****	500	
0.12K	13.0	12.0	6.0	10.0	0.6	MK61124KP34M****	500	0.56	18.0	16.0	10.0	15.0	0.8	MK61564-P36M****	500	
0.12M	13.0	11.0	5.0	10.0	0.6	MK61124MP34M****	500	0.68	18.0	16.0	10.0	15.0	0.8	MK61684-P36M****	500	
0.15	13.0	12.0	6.0	10.0	0.6	MK61154-P34M****	500	0.82	18.0	19.0	11.0	15.0	0.8	MK61824-P36M****	500	
0.18	13.0	13.0	7.0	10.0	0.6	MK61184-P34M****	500	1	18.0	21.0	12.0	15.0	0.8	MK61105-P36M****	500	
0.22	13.0	14.0	8.0	10.0	0.6	MK61224-P34M****	500									

备注:

“-”: 客户要求的容量偏差

“\*\*\*\*”: 引线加工和包装代码 (见 15 页表 4)

“▲”: 额定电压为 275Vac 时, 第 9~10 位为 N3

“▲”: 额定电压为 305Vac 时, 第 9~10 位为 P2

MOQ: 最小订单量

“-”=custom's capacitor tolerance code, K=±10%, M=±20%

“\*\*\*\*”= Lead form and packing code (refer to table 4 in page 15)

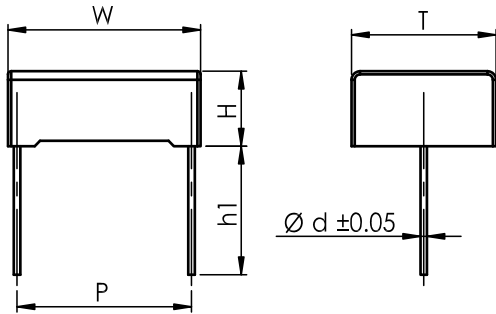
“▲”= when the rated voltage is 275Vac, the digit 9~10 is N3

“▲”=when the rated voltage is 305Vac, the digit 9~10 is P2

MOQ = Minimum order quantity

**MKP61F 抑制电源电磁干扰薄膜电容(X2类,扁平化, 275Vac/305Vac/310Vac)**  
**Metallized Polypropylene Film Interference Suppression Capacitor**  
**(Class X2, Flat Version)**

◆ 外形尺寸图及产品结构 Outline Drawing and Capacitor Construction



W±0.4, H±0.4, T±0.4, P±0.4

◆ 特点及用途 Application and Feature





塑料外壳(UL94 V-0), 阻燃环氧树脂灌封; 广泛用于电源跨线路等抗干扰场合(室内)。

Plastic case (UL94 V-0), Epoxy resin sealing; Widely used in across-the-line, interference suppression circuit, ect (Indoor applications) .

◆ 技术要求 Specifications

参照标准 Reference Standard	GBT6346.14、IEC 60384-14	
气候类别/阻燃等级 Climatic category/Passive Flammability Class	40/110/56/B	
工作温度范围 Operation Temperature Range	-40℃~+110℃	
额定电压 Rated Voltage	275Vac/305Vac/310Vac (50/60Hz)	
最大连续直流电压 Maximum Continuous DC Voltage	560Vdc	
电容量范围 Capacitance Range	0.0056μF~0.39μF	
电容量偏差 Capacitance Tolerance	±10%(K)、±20%(M)(20℃, 1kHz)	
耐电压 Voltage Proof	引线之间 Between Terminals	4.3U <sub>R</sub> (dc) , 2s
	极壳之间 Between Terminals to case	2120Vac (1min)
绝缘电阻 Insulation Resistance	C <sub>R</sub> ≤0.33μF, IR≥15 000 MΩ C <sub>R</sub> >0.33μF, IR×C≥5 000s (20℃, 100V, 1min)	
损耗角正切 Dissipation Factor	≤0.0010 (1kHz, 20℃) ≤0.0020 (10kHz, 20℃)	

◆ 安全认证 Safety Approvals

	CQC (中国)	GBT 6346.14, X2, 275Vac/305Vac, 0.001μF~45μF, 40/110/56/B Certificate No.: CQC03001007919 IEC 60384-14, X2, 310Vac/630Vdc/560Vdc, 0.001μF~25μF, 40/110/56/B Certificate No.: CQC19001229855
	ENEC (欧盟)	IEC 60384-14, X2, 275Vac/305Vac, 0.001μF~45μF, 40/110/56/B Certificate No.: 40032626 IEC 60384-14, X2, 310Vac/630Vdc/560Vdc, 0.001μF~25μF, 40/110/56/B Certificate No.: HN 69262302
	UL-CUL (美国/加拿大)	UL60384-14, CSA E60384-1, CSA E60384-14 X2, 275Vac/305Vac/310Vac, 0.0010μF~45μF, 40/110/56/B Certificate No.: E217215
	KTL (韩国)	K60384-1, K60384-14, X2, 305Vac, 0.0010μF~45μF, 40/110/56/B Certificate No.: SU03046-10001A/10002A/13001/13002/13003



# MKP61F (Flat)

## MKP61F series (Flat)

### ◆ 产品尺寸: Product Dimension:

275Vac <sup>▲</sup> /305Vac <sup>▲</sup> /310Vac															
C (μF)	W	H	T	P	d	产品代码 Part number	MOQ	C (μF)	W	H	T	P	d	产品代码 Part number	MOQ
0.0056	10.5	6.0	8.0	7.5	0.6	M61F562-P330****	1000	0.056	13.0	6.0	8.0	10.0	0.6	M61F563-P340****	1000
0.0068	10.5	6.0	8.0	7.5	0.6	M61F682-P330****	1000	0.068	13.0	6.5	8.5	10.0	0.6	M61F683-P340****	1000
0.0082	10.5	6.0	8.0	7.5	0.6	M61F822-P330****	1000	0.082	13.0	6.5	8.5	10.0	0.6	M61F823-P340****	1000
0.01	10.5	6.0	8.0	7.5	0.6	M61F103-P330****	1000	0.1	13.0	7.0	9.0	10.0	0.6	M61F104-P340****	1000
0.012	10.5	6.0	8.0	7.5	0.6	M61F123-P330****	1000	0.12	13.0	7.0	10.5	10.0	0.6	M61F124-P340****	1000
0.015	10.5	6.0	8.0	7.5	0.6	M61F153-P330****	1000	0.15	13.0	7.0	12.0	10.0	0.6	M61F154-P340****	1000
0.018	10.5	6.0	8.0	7.5	0.6	M61F183-P330****	1000	0.15M	13.0	8.0	10.0	10.0	0.6	M61F154MP341****	1000
0.022	10.5	6.0	8.0	7.5	0.6	M61F223-P330****	1000	0.1	18.0	6.0	8.0	15.0	0.6	M61F104-P360****	500
0.027	10.5	6.0	8.0	7.5	0.6	M61F273-P330****	1000	0.1	18.0	6.5	8.5	15.0	0.6	M61F104-P361****	500
0.033	10.5	6.0	8.0	7.5	0.6	M61F333-P330****	1000	0.12	18.0	6.0	8.0	15.0	0.6	M61F124-P360****	500
0.039	10.5	6.0	8.0	7.5	0.6	M61F393-P330****	1000	0.15	18.0	6.5	8.5	15.0	0.6	M61F154-P360****	500
0.047	10.5	6.5	8.5	7.5	0.6	M61F473-P330****	1000	0.18	18.0	6.5	10.0	15.0	0.6	M61F184-P360****	500
0.056	10.5	7.0	9.0	7.5	0.6	M61F563-P330****	1000	0.22	18.0	6.5	10.0	15.0	0.6	M61F224-P360****	500
								0.27	18.0	7.0	12.0	15.0	0.6	M61F274-P360****	500
								0.33	18.0	7.0	13.5	15.0	0.6	M61F334-P360****	500
								0.39	18.0	7.0	15.5	15.0	0.6	M61F394-P360****	500

### 备注:

“-”: 客户要求的容量偏差

“\*\*\*\*”: 引线加工和包装代码 (见 15 页表 4)

“▲”: 额定电压为 275Vac 时, 第 9~10 位为 N3

“▲”: 额定电压为 305Vac 时, 第 9~10 位为 P2

MOQ: 最小订单量

“-”=custom's capacitor tolerance code, K=±10%, M=±20%

“\*\*\*\*”= Lead form and packing code (refer to table 4 in page 15)

“▲”= when the rated voltage is 275Vac, the digit 9~10 is N3

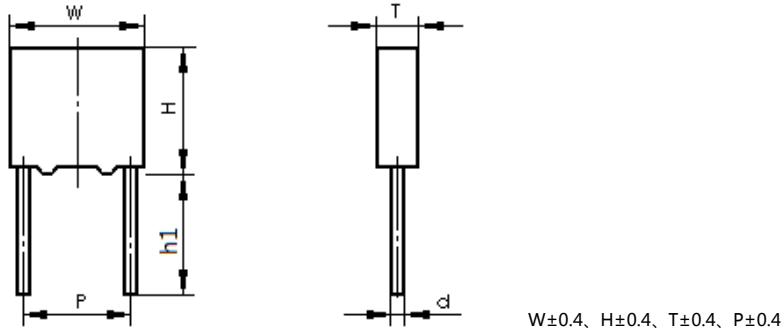
“▲”=when the rated voltage is 305Vac, the digit 9~10 is P2

MOQ = Minimum order quantity



## MKP61T 抑制电源电磁干扰薄膜电容器(X2 类, THB, 275Vac/305Vac/310Vac) Metallized Polypropylene Film Interference Suppression Capacitor (Class X2, Temperature Humidity Bias (THB) Series)

### ◆ 外形尺寸图及产品结构 Outline Drawing and Capacitor Construction



### ◆ 特点及用途 Application and Feature

塑料外壳(UL94 V-0), 阻燃环氧树脂灌封; 在严苛的环境下(如高温高湿)长期应用容量稳定性优异; 广泛用于电源跨线路等抗干扰场合。

Plastic case (UL94 V-0), Epoxy resin sealing; High stability of capacitance under severe ambient condition, such as high temperature and high humidity; Widely used in across-the-line, interference suppression circuit, ect.

### ◆ 技术要求 Specifications

参照标准 Reference Standard	GBT 6364.14、IEC 60384-14		
气候类别/阻燃等级 Climatic category/Passive Flammability Class	40/110/56/B		
工作温度范围 Operation Temperature Range	-40℃~+110℃		
额定电压 Rated Voltage	275Vac/305Vac/310Vac (50/60Hz)		
电容量范围 Capacitance Range	0.01μF~25.0μF		
电容量偏差 Capacitance Tolerance	±10%(K)、±20%(M)(20℃, 1kHz)		
耐电压 Voltage Proof	引线之间 Between Terminals	4.3U <sub>R</sub> (dc), 2s	
	极壳之间 Between Terminals to case	2120Vac (1min)	
绝缘电阻 Insulation Resistance	C <sub>R</sub> ≤ 0.33μF, IR ≥ 15 000 MΩ C <sub>R</sub> > 0.33μF, IR × C ≥ 5 000s (20℃, 100V, 1min)		
损耗角正切 Dissipation Factor	C <sub>R</sub> ≤ 1.0μF	≤ 0.0010 (1kHz, 20℃)	≤ 0.0020 (10kHz, 20℃)
	C <sub>R</sub> > 1.0μF	≤ 0.0020 (1kHz, 20℃)	≤ 0.0040 (10kHz, 20℃)
耐湿热负荷 THB test (Damp Heat Test with Loading)	Temperature: 85℃ ± 2℃; Humidity: 85%RH ± 2%RH Voltage: 240Vac 50Hz; Duration: 1 000 hours(CR > 0.47μF) Capacitance change(ΔC/C): ≤ 10% DF change(Δtg δ): ≤ 0.5% (1kHz) Insulation resistance: ≥ 50% of the rated value		

### ◆ 安全认证 Safety Approvals

	CQC (中国)	GBT 6346.14, X2, 275Vac/305Vac, 0.001μF~45μF, 40/110/56/B Certificate No.: CQC03001007919 IEC 60384-14, X2, 310Vac/630Vdc/560Vdc, 0.001μF~25μF, 40/110/56/B Certificate No.: CQC19001229855
	ENEC (欧盟)	IEC 60384-14, X2, 275Vac/305Vac, 0.001μF~45μF, 40/110/56/B Certificate No.: 40032626 IEC 60384-14, X2, 310Vac/630Vdc/560Vdc, 0.001μF~25μF, 40/110/56/B Certificate No.: HN 69262302
	UL-CUL (美国/加拿大)	UL60384-14, CSA E60384-1, CSA E60384-14 X2, 275Vac/305Vac/310Vac, 0.0010μF~45μF, 40/110/56/B Certificate No.: E217215
	KTL (韩国)	K60384-1, K60384-14, X2, 305Vac, 0.0010μF~45μF, 40/110/56/B Certificate No.: SU03046-10001A/SU03046-10002A



# MKP61T(THB)

## MKP61T series(THB)

### ◆ 产品尺寸: Product Dimension:

275Vac <sup>▲</sup> /305Vac <sup>▲</sup> /310Vac																
C (μF)	W	H	T	P	d	产品代码 Part number	MOQ	C (μF)	W	H	T	P	d	产品代码 Part number	MOQ	
0.010	18.0	11.0	5.0	15.0	0.6	MK61103-P36T****	500	1.2	32.0	20.0	11.0	27.5	0.8	MK61125-P2BT****	100	
0.015	18.0	11.0	5.0	15.0	0.6	MK61153-P36T****	500	1.5	32.0	22.0	13.0	27.5	0.8	MK61155-P2BT****	100	
0.022	18.0	11.0	5.0	15.0	0.6	MK61223-P36T****	500	1.8	32.0	25.0	13.0	27.5	0.8	MK61185-P2BT****	100	
0.033	18.0	11.0	5.0	15.0	0.6	MK61333-P36T****	500	2.2	32.0	24.5	15.0	27.5	0.8	MK61225-P2BT****	100	
0.047	18.0	11.0	5.0	15.0	0.6	MK61473-P36T****	500	2.7	32.0	30.0	16.0	27.5	0.8	MK61275-P2BT****	50	
0.068	18.0	11.0	5.0	15.0	0.6	MK61683-P36T****	500	3.3	32.0	30.0	16.0	27.5	0.8	MK61335-P2BT****	50	
0.10	18.0	11.0	5.0	15.0	0.6	MK61104-P36T****	500	3.9	32.0	33.0	18.0	27.5	0.8	MK61395-P2BT****	50	
0.12	18.0	12.0	6.0	15.0	0.6	MK61124-P36T****	500	4.7M	32.0	33.0	18.0	27.5	0.8	MK61475-P2BT****	50	
0.15	18.0	12.0	6.0	15.0	0.6	MK61154-P36T****	500	4.7K	32.0	34.0	20.0	27.5	0.8	MK61475-P2BT****	50	
0.18	18.0	13.5	7.5	15.0	0.6	MK61184-P36T****	500	5.6	32.0	37.0	22.0	27.5	0.8	MK61565-P2BT****	50	
0.22	18.0	13.5	7.5	15.0	0.6	MK61224-P36T****	500	6.8M	32.0	37.0	22.0	27.5	0.8	MK61685-P2BT****	50	
0.27	18.0	14.5	8.5	15.0	0.6	MK61274-P36T****	500	1.5	42.0	22.0	11.0	37.5	1.0	MK61155-P2ET****	50	
0.33	18.0	14.5	8.5	15.0	0.6	MK61334-P36T****	500	1.8	42.0	22.0	11.0	37.5	1.0	MK61185-P2ET****	50	
0.39	18.0	16.0	10.0	15.0	0.8	MK61394-P36T****	500	2.2	42.0	24.0	13.0	37.5	1.0	MK61225-P2ET****	50	
0.47	18.0	19.0	11.0	15.0	0.8	MK61474-P36T****	500	2.7	42.0	24.0	13.0	37.5	1.0	MK61275-P2ET****	50	
0.33	26.5	15.0	6.0	22.5	0.8	MK61334-P39T****	500	3.3	42.0	28.0	14.0	37.5	1.0	MK61335-P2ET****	50	
0.39	26.5	16.0	7.0	22.5	0.8	MK61394-P39T****	500	3.9	42.0	30.0	16.0	37.5	1.0	MK61395-P2ET****	50	
0.47	26.5	17.0	8.5	22.5	0.8	MK61474-P39T****	500	4.7M	42.0	30.0	16.0	37.5	1.0	MK61475-P2ET****	50	
0.56	26.5	17.0	8.5	22.5	0.8	MK61564-P39T****	500	4.7K	42.0	32.0	17.0	37.5	1.0	MK61475-P2ET****	50	
0.68	26.5	18.5	10.0	22.5	0.8	MK61684-P39T****	500	5.6	42.0	33.5	18.5	37.5	1.0	MK61564-P2ET****	50	
0.82	26.5	18.5	10.0	22.5	0.8	MK61824-P39T****	500	6.8M	42.0	34.0	20.0	37.5	1.0	MK61685-P2ET****	50	
1.0	26.5	20.0	11.0	22.5	0.8	MK61105-P39T****	200	6.8K	42.0	37.0	22.0	37.5	1.0	MK61685-P2ET****	50	
1.2	26.5	22.0	12.0	22.5	0.8	MK61125-P39T****	200	8.2	42.0	37.0	22.0	37.5	1.0	MK61825-P2ET****	50	
1.5	26.5	23.0	13.5	22.5	0.8	MK61155-P39T****	200	10.0	42.0	41.0	26.0	37.5	1.0	MK61106-P2ET****	20	
1.8	26.5	24.5	15.5	22.5	0.8	MK61185-P39T****	200	12.0	42.0	43.0	28.0	37.5	1.0	MK61126-P2ET****	20	
2.2	26.5	29.5	14.5	22.5	0.8	MK61225-P39T****	200	15.0M	42.0	45.0	30.0	37.5	1.0	MK61156-P2ET****	20	
0.47	32.0	18.0	9.0	27.5	0.8	MK61474-P3BT****	200	15.0K	42.0	50.0	30.0	37.5	1.0	MK61156-P2ET****	20	
0.56	32.0	18.0	9.0	27.5	0.8	MK61564-P3BT****	200	18.0	57.0	45.0	30.0	52.5	1.2	MK61186-P2GT****	20	
0.68	32.0	18.0	9.0	27.5	0.8	MK61684-P3BT****	200	20.0	57.0	45.0	30.0	52.5	1.2	MK61206-P2GT****	20	
0.82	32.0	18.0	9.0	27.5	0.8	MK61824-P3BT****	200	25.0	57.0	50.0	35.0	52.5	1.2	MK61256-P2GT****	20	
1.0	32.0	20.0	11.0	27.5	0.8	MK61105-P3BT****	100									

备注:

“-”: 客户要求的容量偏差

“\*\*\*\*”: 引线加工和包装代码 (见 15 页表 4)

“▲”: 额定电压为 275Vac 时, 第 9~10 位为 N3

“▲”: 额定电压为 305Vac 时, 第 9~10 位为 P2

MOQ: 最小订单量

“-”=custom's capacitor tolerance code, J=±5%, K=±10%, M=±20%

“\*\*\*\*”= Lead form and packing code (refer to table 4 in page 15)

“▲”=when the rated voltage is 275Vac, the digit 9~10 is N3

“▲”=when the rated voltage is 305Vac, the digit 9~10 is P2

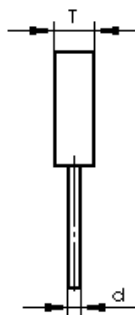
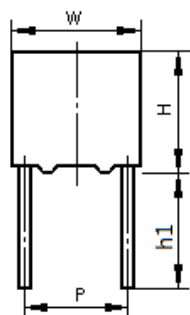
MOQ = Minimum order quantity

# MKP61H 抑制电源电磁干扰薄膜电容(X2 THB, 275Vac/305Vac/310Vac/350Vac)

## Metallized Polypropylene Film Interference Suppression Capacitor

### (Class X2, Temperature Humidity Bias (THB) Series)

#### ◆ 外形尺寸图及产品结构 Outline Drawing and Capacitor Construction



W±0.4, H±0.4, T±0.4, P±0.4

#### ◆ 特点及用途 Application and Feature

塑料外壳(UL94 V-0),环氧树脂灌封;在严苛环境下(如高温高湿)长期应用容量稳定;广泛用于电源跨线等抗干扰场合。

Plastic case (UL94 V-0), Epoxy resin sealing; High stability of capacitance under severe ambient condition, such as high temperature and high humidity; Widely used in across-the-line, interference suppression circuit, ect.

#### ◆ 技术要求 Specifications

参照标准 Reference Standard	GBT 6364.14、IEC 60384-14		
气候类别/阻燃等级 Climatic category/Passive Flammability Class	40/110/56/B		
工作温度范围 Operation Temperature Range	-40℃~+110℃		
额定电压 Rated Voltage	275Vac/305Vac/310Vac, 350Vac (50/60Hz)		
电容量范围 Capacitance Range	0.01μF~25.0μF		
电容量偏差 Capacitance Tolerance	±10%(K)、±20%(M)(20℃, 1kHz)		
耐电压 Voltage Proof	引线之间 Between Terminals	4.3U <sub>R</sub> (dc), 2s	
	极壳之间 Between Terminals to case	2120Vac (1min)	
绝缘电阻 Insulation Resistance	C <sub>R</sub> ≤0.33μF, IR≥15 000 MΩ C <sub>R</sub> >0.33μF, IR×C≥5 000s (20℃, 100V, 1min)		
损耗角正切 Dissipation Factor	C <sub>R</sub> ≤1.0μF	≤0.0010 (1kHz, 20℃)	≤0.0020 (10kHz, 20℃)
	C <sub>R</sub> >1.0μF	≤0.0020 (1kHz, 20℃)	≤0.0040 (10kHz, 20℃)
耐湿热负荷 THB test (Damp Heat Test with Loading)	Temperature: 85℃±2℃; Humidity: 85%RH±2%RH Voltage: 300Vac 50Hz; Duration: 1 000 hours(CR>0.47μF) Capacitance change(ΔC/C): ≤10% DF change(Δtg δ): ≤0.5% (1kHz) Insulation resistance: ≥50% of the rated value		

#### ◆ 安全认证 Safety Approvals

	CQC (中国)	GBT 6346.14, X2, 275Vac/305Vac, 0.001μF~45μF, 40/110/56/B Certificate No.: CQC03001007919 IEC 60384-14, X2, 310Vac/630Vdc/560Vdc, 0.001μF~25μF, 40/110/56/B Certificate No.: CQC19001229855 IEC 60384-14, X2, 350Vac, 0.01μF~20μF, 40/110/56/B Certificate No.: CQC19001217875
	ENEC (欧盟)	IEC 60384-14, X2, 275Vac/305Vac, 0.001μF~45μF, 40/110/56/B Certificate No.: 40032626 IEC 60384-14, X2, 310Vac/630Vdc/560Vdc, 0.001μF~25μF, 40/110/56/B Certificate No.: HN 69262302 IEC 60384-14, X2, 350Vac, 0.01μF~20μF, 40/110/56/B Certificate No.: HN 69262166
	UL-CUL (美国/加拿大)	UL60384-14, CSA E60384-1, CSA E60384-14 X2, 275Vac/305Vac/310Vac/350Vac, 0.0010μF~45μF, 40/110/56/B Certificate No.: E217215
	KTL (韩国)	K60384-1, K60384-14, X2, 305Vac, 0.0010μF~45μF, 40/110/56/B Certificate No.:SU03046-10001A/SU03046-10002A





# MKP61H(THB)

## MKP61H series(THB)

◆ 产品尺寸: Product Dimension:

275Vac <sup>▲</sup> /305Vac <sup>▲</sup> /310Vac																
C (μF)	W	H	T	P	d	产品代码 Part number	MOQ	C (μF)	W	H	T	P	d	产品代码 Part number	MOQ	
0.1	18.0	11.0	5.0	15.0	0.6	MK61104-P36H****	500	1.8	32.0	25.0	13.0	27.5	0.8	MK61185-P3BH****	100	
0.12	18.0	12.0	6.0	15.0	0.6	MK61124-P36H****	500	2.2	32.0	24.5	15.0	27.5	0.8	MK61225-P3BH****	100	
0.15	18.0	12.0	6.0	15.0	0.6	MK61154-P36H****	500	2.7	32.0	30.0	16.0	27.5	0.8	MK61275-P3BH****	100	
0.18	18.0	13.5	7.5	15.0	0.6	MK61184-P36H****	500	3.3	32.0	30.0	16.0	27.5	0.8	MK61335-P3BH****	50	
0.22	18.0	13.5	7.5	15.0	0.6	MK61224-P36H****	500	3.9	32.0	33.0	18.0	27.5	0.8	MK61395-P3BH****	50	
0.27	18.0	14.5	8.5	15.0	0.6	MK61274-P36H****	500	4.7M	32.0	33.0	18.0	27.5	0.8	MK61475MP3BH****	50	
0.33	18.0	14.5	8.5	15.0	0.6	MK61334-P36H****	500	4.7K	32.0	34.0	20.0	27.5	0.8	MK61475KP3BH****	50	
0.39	18.0	16.0	10.0	15.0	0.8	MK61394-P36H****	500	5.6	32.0	37.0	22.0	27.5	0.8	MK61565-P3BH****	50	
0.47	18.0	19.0	11.0	15.0	0.8	MK61474-P36H****	500	6.8M	32.0	37.0	22.0	27.5	0.8	MK61685MP3BH****	50	
0.33	26.5	15.0	6.0	22.5	0.8	MK61334-P39H****	500	1.5	42.0	22.0	11.0	37.5	1.0	MK61155-P3EH****	50	
0.39	26.5	16.0	7.0	22.5	0.8	MK61394-P39H****	500	1.8	42.0	22.0	11.0	37.5	1.0	MK61185-P3EH****	50	
0.47	26.5	17.0	8.5	22.5	0.8	MK61474-P39H****	500	2.2	42.0	24.0	13.0	37.5	1.0	MK61225-P3EH****	50	
0.56	26.5	17.0	8.5	22.5	0.8	MK61564-P39H****	500	2.7	42.0	24.0	13.0	37.5	1.0	MK61275-P3EH****	50	
0.68	26.5	18.5	10.0	22.5	0.8	MK61684-P39H****	500	3.3	42.0	28.0	14.0	37.5	1.0	MK61335-P3EH****	50	
0.82	26.5	18.5	10.0	22.5	0.8	MK61824-P39H****	500	3.9	42.0	30.0	16.0	37.5	1.0	MK61395-P3EH****	50	
1	26.5	20.0	11.0	22.5	0.8	MK61105-P39H****	200	4.7M	42.0	30.0	16.0	37.5	1.0	MK61475MP3EH****	50	
1.2	26.5	22.0	12.0	22.5	0.8	MK61125-P39H****	200	4.7K	42.0	32.0	17.0	37.5	1.0	MK61475KP3EH****	50	
1.5	26.5	23.0	13.5	22.5	0.8	MK61155-P39H****	200	5.6	42.0	33.5	18.5	37.5	1.0	MK61565-P3EH****	50	
1.8	26.5	24.5	15.5	22.5	0.8	MK61185-P39H****	200	6.8M	42.0	34.0	20.0	37.5	1.0	MK61685MP3EH****	50	
2.2	26.5	29.5	14.5	22.5	0.8	MK61225-P39H****	200	6.8K	42.0	37.0	22.0	37.5	1.0	MK61685KP3EH****	20	
0.47	32.0	18.0	9.0	27.5	0.8	MK61474-P3BH****	200	8.2	42.0	37.0	22.0	37.5	1.0	MK61825-P3EH****	20	
0.56	32.0	18.0	9.0	27.5	0.8	MK61564-P3BH****	200	10	42.0	41.0	26.0	37.5	1.0	MK61106-P3EH****	20	
0.68	32.0	18.0	9.0	27.5	0.8	MK61684-P3BH****	200	12	42.0	43.0	28.0	37.5	1.0	MK61126-P3EH****	20	
0.82	32.0	18.0	9.0	27.5	0.8	MK61824-P3BH****	200	15M	42.0	45.0	30.0	37.5	1.0	MK61156MP3EH****	20	
1	32.0	20.0	11.0	27.5	0.8	MK61105-P3BH****	200	15K	42.0	50.0	30.0	37.5	1.0	MK61156KP3EH****	20	
1.2	32.0	20.0	11.0	27.5	0.8	MK61125-P3BH****	200	18	57.0	45.0	30.0	52.5	1.2	MK61186-P3GH****	20	
1.5	32.0	22.0	13.0	27.5	0.8	MK61155-P3BH****	100	20	57.0	45.0	30.0	52.5	1.2	MK61206-P3GH****	20	
								25	57.0	50.0	35.0	52.5	1.2	MK61256-P3GH****	20	

备注:

“-”: 客户要求的容量偏差

“\*\*\*\*”: 引线加工和包装代码 (见 15 页表 4)

“▲”: 额定电压为 275Vac 时, 第 9~10 位为 N3

“▲”: 额定电压为 305Vac 时, 第 9~10 位为 P2

MOQ: 最小订单量

“-”=custom's capacitor tolerance code, J=±5%, K=±10%, M=±20%

“\*\*\*\*”= Lead form and packing code (refer to table 4 in page 15)

“▲”=when the rated voltage is 275Vac, the digit 9~10 is N3

“▲”=when the rated voltage is 305Vac, the digit 9~10 is P2

MOQ = Minimum order quantity

◆ 产品尺寸: Product Dimension:

350Vac															
C (μF)	W	H	T	P	d	产品代码 Part number	MOQ	C (μF)	W	H	T	P	d	产品代码 Part number	MOQ
0.1	18.0	13.5	7.5	15.0	0.6	MK61104-Q36H****	500	1.2	32.0	22.0	13.0	27.5	0.8	MK61125-Q3BH****	100
0.12	18.0	13.5	7.5	15.0	0.6	MK61124-Q36H****	500	1.5	32.0	24.5	15.0	27.5	0.8	MK61155-Q3BH****	100
0.15	18.0	14.5	8.5	15.0	0.6	MK61154-Q36H****	500	1.8	32.0	28.0	14.0	27.5	0.8	MK61185-Q3BH****	100
0.18	18.0	14.5	8.5	15.0	0.6	MK61184-Q36H****	500	2.2	32.0	30.0	16.0	27.5	0.8	MK61225-Q3BH****	50
0.22	18.0	16.0	10.0	15.0	0.6	MK61224-Q36H****	500	2.7	32.0	33.0	18.0	27.5	0.8	MK61275-Q3BH****	50
0.27	18.0	16.0	10.0	15.0	0.8	MK61274-Q36H****	500	3.3M	32.0	33.0	18.0	27.5	0.8	MK61335MQ3BH****	50
0.33	18.0	19.0	11.0	15.0	0.8	MK61334-Q36H****	500	3.3K	32.0	38.0	18.0	27.5	0.8	MK61335KQ3BH****	50
0.1	26.5	15.0	6.0	22.5	0.8	MK61104-Q39H****	500	3.9	32.0	37.0	22.0	27.5	0.8	MK61395-Q3BH****	50
0.12	26.5	15.0	6.0	22.5	0.8	MK61124-Q39H****	500	4.7M	32.0	37.0	22.0	27.5	0.8	MK61475MQ3BH****	50
0.15	26.5	16.0	7.0	22.5	0.8	MK61154-Q39H****	500	4.7K	32.0	38.0	24.0	27.5	0.8	MK61475KQ3BH****	50
0.18	26.5	16.0	7.0	22.5	0.8	MK61184-Q39H****	500	0.33	42.0	22.0	11.0	37.5	1.0	MK61334-Q3EH****	50
0.22	26.5	16.0	7.0	22.5	0.8	MK61224-Q39H****	500	0.39	42.0	22.0	11.0	37.5	1.0	MK61394-Q3EH****	50
0.27	26.5	16.0	7.0	22.5	0.8	MK61274-Q39H****	500	0.47	42.0	22.0	11.0	37.5	1.0	MK61474-Q3EH****	50
0.33	26.5	17.0	8.5	22.5	0.8	MK61334-Q39H****	500	0.56	42.0	22.0	11.0	37.5	1.0	MK61564-Q3EH****	50
0.39M	26.5	17.0	8.5	22.5	0.8	MK61394MQ39H****	500	0.68	42.0	22.0	11.0	37.5	1.0	MK61684-Q3EH****	50
0.39K	26.5	18.5	9.0	22.5	0.8	MK61394KQ39H****	500	0.82	42.0	22.0	11.0	37.5	1.0	MK61824-Q3EH****	50
0.47M	26.5	18.5	9.0	22.5	0.8	MK61474MQ39H****	500	1	42.0	22.0	11.0	37.5	1.0	MK61105-Q3EH****	50
0.47K	26.5	18.5	10.0	22.5	0.8	MK61474KQ39H****	500	1.2	42.0	22.0	11.0	37.5	1.0	MK61125-Q3EH****	50
0.56	26.5	18.5	10.0	22.5	0.8	MK61564-Q39H****	500	1.5	42.0	24.0	13.0	37.5	1.0	MK61155-Q3EH****	50
0.68M	26.5	20.0	11.0	22.5	0.8	MK61684MQ39H****	200	1.8	42.0	26.0	15.0	37.5	1.0	MK61185-Q3EH****	50
0.68K	26.5	21.0	11.0	22.5	0.8	MK61684KQ39H****	200	2.2	42.0	26.0	15.0	37.5	1.0	MK61225-Q3EH****	50
0.82	26.5	22.0	12.0	22.5	0.8	MK61824-Q39H****	200	2.7	42.0	30.0	16.0	37.5	1.0	MK61275-Q3EH****	50
1	26.5	23.0	13.5	22.5	0.8	MK61105-Q39H****	200	3.3M	42.0	30.0	16.0	37.5	1.0	MK61335MQ3EH****	50
1.2	26.5	24.5	14.5	22.5	0.8	MK61125-Q39H****	200	3.3K	42.0	32.0	17.0	37.5	1.0	MK61335KQ3EH****	50
1.5	26.5	29.5	14.5	22.5	0.8	MK61155-Q39H****	200	3.9	42.0	34.0	20.0	37.5	1.0	MK61395-Q3EH****	50
0.22	32.0	18.0	9.0	27.5	0.8	MK61224-Q3BH****	200	4.7M	42.0	34.0	20.0	37.5	1.0	MK61475MQ3EH****	50
0.27	32.0	18.0	9.0	27.5	0.8	MK61274-Q3BH****	200	4.7K	42.0	37.0	22.0	37.5	1.0	MK61475KQ3EH****	20
0.33	32.0	18.0	9.0	27.5	0.8	MK61334-Q3BH****	200	5.6	42.0	37.0	22.0	37.5	1.0	MK61565-Q3EH****	20
0.39	32.0	18.0	9.0	27.5	0.8	MK61394-Q3BH****	200	6.8M	42.0	37.0	24.0	37.5	1.0	MK61685MQ3EH****	20
0.47	32.0	18.0	9.0	27.5	0.8	MK61474-Q3BH****	200	6.8K	42.0	37.0	26.0	37.5	1.0	MK61685KQ3EH****	20
0.56	32.0	18.0	9.0	27.5	0.8	MK61564-Q3BH****	200	8.2	42.0	43.0	28.0	37.5	1.0	MK61825-Q3EH****	20
0.68	32.0	20.0	11.0	27.5	0.8	MK61684-Q3BH****	100	10	42.0	45.0	30.0	37.5	1.0	MK61106-Q3EH****	20
0.82	32.0	20.0	11.0	27.5	0.8	MK61824-Q3BH****	100	15M	57.0	45.0	30.0	52.5	1.2	MK61156MQ3GH****	20
1	32.0	20.0	11.0	27.5	0.8	MK61105MQ3BH****	100	15K	57.0	48.0	30.0	52.5	1.2	MK61156KQ3GH****	20
1	32.0	22.0	13.0	27.5	0.8	MK61105KQ3BH****	100	18	57.0	48.5	34.0	52.5	1.2	MK61186-Q3GH****	20
								20M	57.0	50.0	35.0	52.5	1.2	MK61206MQ3GH****	20

备注:

“-”: 客户要求的容量偏差

“\*\*\*\*”: 引线加工和包装代码 (见 15 页表 4)

MOQ: 最小订单量

“-”=custom's capacitor tolerance code, J=±5%, K=±10%, M=±20%

“\*\*\*\*”= Lead form and packing code (refer to table 4 in page 15)

MOQ = Minimum order quantity



# MKP61B(THB)

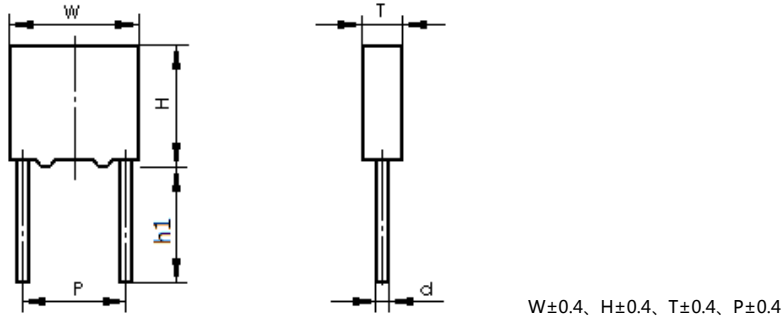
## MKP61B series(THB)

### MKP61B 抑制电源电磁干扰薄膜电容(X2 THB, 275Vac/305Vac/310Vac)

### Metallized Polypropylene Film Interference Suppression Capacitor

### (Class X2, Temperature Humidity Bias (THB) Series)

#### ◆ 外形尺寸图及产品结构 Outline Drawing and Capacitor Construction



#### ◆ 特点及用途 Application and Feature

塑料外壳(UL94 V-0),环氧树脂灌封;在严苛环境下(如高温高湿)长期应用容量稳定;广泛用于电源跨线等抗干扰场合。

Plastic case (UL94 V-0), Epoxy resin sealing; High stability of capacitance under severe ambient condition, such as high temperature and high humidity; Widely used in across-the-line, interference suppression circuit, ect.

#### ◆ 技术要求 Specifications

参照标准 Reference Standard	GBT 6364.14、IEC 60384-14		
气候类别/阻燃等级 Climatic category/Passive Flammability Class	40/110/56/B		
工作温度范围 Operation Temperature Range	-40℃~+110℃		
额定电压 Rated Voltage	275Vac/305Vac/310Vac (50/60Hz)		
电容量范围 Capacitance Range	0.01μF~25.0μF		
电容量偏差 Capacitance Tolerance	±10%(K)、±20%(M)(20℃, 1kHz)		
耐电压 Voltage Proof	引线之间 Between Terminals	4.3U <sub>R</sub> (dc), 2s	
	极壳之间 Between Terminals to case	2120Vac (1min)	
绝缘电阻 Insulation Resistance	C <sub>R</sub> ≤ 0.33μF, IR ≥ 15 000 MΩ C <sub>R</sub> > 0.33μF, IR × C ≥ 5 000s (20℃, 100V, 1min)		
损耗角正切 Dissipation Factor	C <sub>R</sub> ≤ 1.0μF	≤ 0.0015 (1kHz, 20℃)	≤ 0.0040 (10kHz, 20℃)
	C <sub>R</sub> > 1.0μF	≤ 0.0030 (1kHz, 20℃)	
耐湿热负荷 THB test (Damp Heat Test with Loading)	Temperature: 85℃ ± 2℃; Humidity: 85%RH ± 2%RH Voltage: 300Vac 50Hz; Duration: 1 000 hours(C <sub>R</sub> ≤ 0.47μF) Duration: 1 200 hours(C <sub>R</sub> > 0.47μF)  Capacitance change(ΔC/C): ≤ 10% DF change(Δtg δ): ≤ 0.5% (1kHz) Insulation resistance: ≥ 50% of the rated value		

#### ◆ 安全认证 Safety Approvals

	CQC (中国)	GBT 6346.14, X2, 275Vac/305Vac, 0.001μF~45μF, 40/110/56/B Certificate No.: CQC03001007919 IEC 60384-14, X2, 310Vac/630Vdc/560Vdc, 0.001μF~25μF, 40/110/56/B Certificate No.: CQC19001229855
	ENEC (欧盟)	IEC 60384-14, X2, 275Vac/305Vac, 0.001μF~45μF, 40/110/56/B Certificate No.: 40032626 IEC 60384-14, X2, 310Vac/630Vdc/560Vdc, 0.001μF~25μF, 40/110/56/B Certificate No.: HN 69262302
	UL-CUL (美国/加拿大)	UL60384-14, CSA E60384-1, CSA E60384-14 X2, 275Vac/305Vac/310Vac, 0.0010μF~45μF, 40/110/56/B Certificate No.: E217215
	KTL (韩国)	K60384-1, K60384-14, X2, 305Vac, 0.0010μF~45μF, 40/110/56/B Certificate No.: SU03046-10001A/10002A/13001/13002/13003

◆ 产品尺寸: Product Dimension:

275Vac <sup>▲</sup> /305Vac <sup>▲</sup> /310Vac																	
C (μF)	W	H	T	P	d	产品代码 Part number	MOQ	C (μF)	W	H	T	P	d	产品代码 Part number	MOQ		
0.10	18.0	12.0	6.0	15.0	0.6	M61B104-P360****	500	1.2	32.0	22.0	13.0	27.5	0.8	M61B125-P3B0****	200		
0.12	18.0	13.5	6.0	15.0	0.6	M61B124-P360****	500	1.5	32.0	22.0	13.0	27.5	0.8	M61B155-P3B0****	200		
0.15	18.0	13.5	7.5	15.0	0.6	M61B154-P360****	500	1.8	32.0	25.0	13.0	27.5	0.8	M61B185-P3B0****	200		
0.18	18.0	13.5	7.5	15.0	0.6	M61B184-P360****	500	2.2	32.0	28.0	14.0	27.5	0.8	M61B225-P3B0****	200		
0.22	18.0	14.5	8.5	15.0	0.6	M61B224-P360****	500	2.7	32.0	30.0	16.0	27.5	0.8	M61B275-P3B0****	200		
0.27	18.0	16.0	10.0	15.0	0.8	M61B274-P360****	500	3.3	32.0	33.0	18.0	27.5	0.8	M61B335-P3B0****	200		
0.33	18.0	16.0	10.0	15.0	0.8	M61B334-P360****	500	3.9	32.0	33.0	18.0	27.5	0.8	M61B395-P3B0****	200		
0.39	18.0	19.0	11.0	15.0	0.8	M61B394-P360****	500	4.7	32.0	37.0	22.0	27.5	0.8	M61B475-P3B0****	200		
0.47	18.0	19.0	11.0	15.0	0.8	M61B474-P360****	500	5.6	32.0	37.0	22.0	27.5	0.8	M61B565-P3B0****	200		
0.33	26.5	17.0	8.5	22.5	0.8	M61B334-P390****	500	1.5	42.0	22.0	11.0	37.5	1.0	M61B155-P3E0****	50		
0.39	26.5	17.0	8.5	22.5	0.8	M61B394-P390****	500	1.8	42.0	24.0	13.0	37.5	1.0	M61B185-P3E0****	50		
0.47	26.5	18.5	10.0	22.5	0.8	M61B474-P390****	500	2.2	42.0	25.0	14.0	37.5	1.0	M61B225-P3E0****	50		
0.56	26.5	18.5	10.0	22.5	0.8	M61B564-P390****	500	2.7	42.0	26.0	15.0	37.5	1.0	M61B275-P3E0****	50		
0.68	26.5	20.0	11.0	22.5	0.8	M61B684-P390****	500	3.3	42.0	28.0	17.0	37.5	1.0	M61B335-P3E0****	50		
0.82	26.5	20.0	11.0	22.5	0.8	M61B824-P390****	500	3.9	42.0	30.0	16.0	37.5	1.0	M61B395-P3E0****	50		
1.0	26.5	22.0	12.0	22.5	0.8	M61B105-P390****	500	4.7	42.0	33.5	18.5	37.5	1.0	M61B475-P3E0****	50		
1.2	26.5	23.0	13.0	22.5	0.8	M61B125-P390****	500	5.6	42.0	34.0	20.0	37.5	1.0	M61B565-P3E0****	50		
1.5	26.5	24.5	15.5	22.5	0.8	M61B155-P390****	500	6.8	42.0	37.0	22.0	37.5	1.0	M61B685-P3E0****	50		
1.8	26.5	29.5	14.5	22.5	0.8	M61B185-P390****	500	8.2	42.0	37.0	26.0	37.5	1.0	M61B825-P3E0****	50		
2.2	26.5	31.0	15.5	22.5	0.8	M61B225-P390****	500	10	42.0	41.0	26.0	37.5	1.0	M61B106-P3E0****	50		
0.47	32.0	18.0	9.0	27.5	0.8	M61B474-P3B0****	200	12	42.0	45.0	30.0	37.5	1.0	M61B126-P3E0****	50		
0.56	32.0	18.0	9.0	27.5	0.8	M61B564-P3B0****	200	15	42.0	50.0	30.0	37.5	1.0	M61B156-P3E0****	50		
0.68	32.0	20.0	11.0	27.5	0.8	M61B684-P3B0****	200	18	57.0	45.0	30.0	52.5	1.2	M61B186-P3G0****	20		
0.82	32.0	20.0	11.0	27.5	0.8	M61B824-P3B0****	200	20	57.0	48.0	30.0	52.5	1.2	M61B206-P3G0****	20		
1.0	32.0	20.0	11.0	27.5	0.8	M61B105-P3B0****	200	25	57.0	50.0	35.0	52.5	1.2	M61B256-P3G0****	20		

备注:

“-”: 客户要求的容量偏差

“\*\*\*\*”: 引线加工和包装代码 (见 15 页表 4)

“▲”: 额定电压为 275Vac 时, 第 9~10 位为 N3

“▲”: 额定电压为 305Vac 时, 第 9~10 位为 P2

MOQ: 最小订单量

“-”=custom's capacitor tolerance code, K=±10%, M=±20%

“\*\*\*\*”= Lead form and packing code (refer to table 4 in page 15)

“▲”=when the rated voltage is 275Vac, the digit 9~10 is N3

“▲”=when the rated voltage is 305Vac, the digit 9~10 is P2

MOQ = Minimum order quantity



# MKP61A(THB)

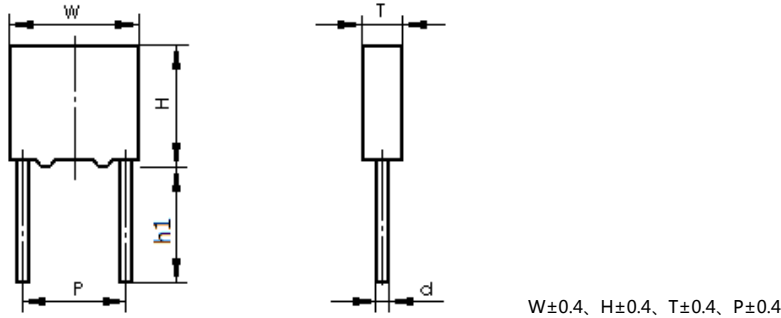
MKP61A series(THB)

## MKP61A 抑制电源电磁干扰薄膜电容(X2 THB, 275Vac/305Vac/310Vac)

### Metallized Polypropylene Film Interference Suppression Capacitor

#### (Class X2, Temperature Humidity Bias (THB) Series)

#### ◆ 外形尺寸图及产品结构 Outline Drawing and Capacitor Construction



#### ◆ 特点及用途 Application and Feature

塑料外壳(UL94 V-0),环氧树脂灌封;在严苛环境下(如高温高湿)长期应用容量稳定;广泛用于电源跨线等抗干扰场合。

Plastic case (UL94 V-0), Epoxy resin sealing; High stability of capacitance under severe ambient condition, such as high temperature and high humidity; Widely used in across-the-line, interference suppression circuit, ect.

#### ◆ 技术要求 Specifications

参照标准 Reference Standard	GBT 6364.14、IEC 60384-14		
气候类别/阻燃等级 Climatic category/Passive Flammability Class	40/110/56/B		
工作温度范围 Operation Temperature Range	-40℃~+110℃		
额定电压 Rated Voltage	275Vac/305Vac/310Vac (50/60Hz)		
电容量范围 Capacitance Range	0.01μF~25.0μF		
电容量偏差 Capacitance Tolerance	±10%(K)、±20%(M)(20℃, 1kHz)		
耐电压 Voltage Proof	引线之间 Between Terminals	4.3U <sub>R</sub> (dc), 2s	
	极壳之间 Between Terminals to case	2120Vac (1min)	
绝缘电阻 Insulation Resistance	C <sub>R</sub> ≤ 0.33μF, IR ≥ 15 000 MΩ C <sub>R</sub> > 0.33μF, IR × C ≥ 5 000s (20℃, 100V, 1min)		
损耗角正切 Dissipation Factor	C <sub>R</sub> ≤ 1.0μF	≤ 0.0015 (1kHz, 20℃)	≤ 0.0040 (10kHz, 20℃)
	C <sub>R</sub> > 1.0μF	≤ 0.0030 (1kHz, 20℃)	
耐湿热负荷 THB test (Damp Heat Test with Loading)	Temperature: 85℃ ± 2℃; Humidity: 85%RH ± 2%RH Voltage: 300Vac 50Hz; Duration: 800 hours (C <sub>R</sub> ≤ 0.47μF) Duration: 1 000 hours (C <sub>R</sub> > 0.47μF)  Capacitance change(ΔC/C): ≤ 10% DF change(Δtg δ): ≤ 0.5% (1kHz) Insulation resistance: ≥ 50% of the rated value		

#### ◆ 安全认证 Safety Approvals

	CQC (中国)	GBT 6346.14, X2, 275Vac/305Vac, 0.001μF~45μF, 40/110/56/B Certificate No.: CQC03001007919 IEC 60384-14, X2, 310Vac/630Vdc/560Vdc, 0.001μF~25μF, 40/110/56/B Certificate No.: CQC19001229855
	ENEC (欧盟)	IEC 60384-14, X2, 275Vac/305Vac, 0.001μF~45μF, 40/110/56/B Certificate No.: 40032626 IEC 60384-14, X2, 310Vac/630Vdc/560Vdc, 0.001μF~25μF, 40/110/56/B Certificate No.: HN 69262302
	UL-CUL (美国/加拿大)	UL60384-14, CSA E60384-1, CSA E60384-14 X2, 275Vac/305Vac/310Vac, 0.001μF~45μF, 40/110/56/B Certificate No.: E217215
	KTL (韩国)	K60384-1, K60384-14, X2, 305Vac, 0.001μF~45μF, 40/110/56/B Certificate No.: SU03046-10001A/10002A/13001/13002/13003

◆ 产品尺寸: Product Dimension:

275Vac <sup>▲</sup> /305Vac <sup>▲</sup> /310Vac															
C (μF)	W	H	T	P	d	产品代码 Part number	MOQ	C (μF)	W	H	T	P	d	产品代码 Part number	MOQ
0.10	18.0	12.0	6.0	15.0	0.6	M61A104-P360****	500	1.2	32.0	22.0	13.0	27.5	0.8	M61A125-P3B0****	200
0.12	18.0	13.5	6.0	15.0	0.6	M61A124-P360****	500	1.5	32.0	22.0	13.0	27.5	0.8	M61A155-P3B0****	200
0.15	18.0	13.5	7.5	15.0	0.6	M61A154-P360****	500	1.8	32.0	25.0	13.0	27.5	0.8	M61A185-P3B0****	200
0.18	18.0	13.5	7.5	15.0	0.6	M61A184-P360****	500	2.2	32.0	28.0	14.0	27.5	0.8	M61A225-P3B0****	200
0.22	18.0	14.5	8.5	15.0	0.6	M61A224-P360****	500	2.7	32.0	30.0	16.0	27.5	0.8	M61A275-P3B0****	200
0.27	18.0	16.0	10.0	15.0	0.8	M61A274-P360****	500	3.3	32.0	33.0	18.0	27.5	0.8	M61A335-P3B0****	200
0.33	18.0	16.0	10.0	15.0	0.8	M61A334-P360****	500	3.9	32.0	33.0	18.0	27.5	0.8	M61A395-P3B0****	200
0.39	18.0	19.0	11.0	15.0	0.8	M61A394-P360****	500	4.7	32.0	37.0	22.0	27.5	0.8	M61A475-P3B0****	200
0.47	18.0	19.0	11.0	15.0	0.8	M61A474-P360****	500	5.6	32.0	37.0	22.0	27.5	0.8	M61A565-P3B0****	200
0.33	26.5	17.0	8.5	22.5	0.8	M61A334-P390****	500	1.5	42.0	22.0	11.0	37.5	1.0	M61A155-P3E0****	50
0.39	26.5	17.0	8.5	22.5	0.8	M61A394-P390****	500	1.8	42.0	24.0	13.0	37.5	1.0	M61A185-P3E0****	50
0.47	26.5	18.5	10.0	22.5	0.8	M61A474-P390****	500	2.2	42.0	25.0	14.0	37.5	1.0	M61A225-P3E0****	50
0.56	26.5	18.5	10.0	22.5	0.8	M61A564-P390****	500	2.7	42.0	26.0	15.0	37.5	1.0	M61A275-P3E0****	50
0.68	26.5	20.0	11.0	22.5	0.8	M61A684-P390****	500	3.3	42.0	28.0	17.0	37.5	1.0	M61A335-P3E0****	50
0.82	26.5	20.0	11.0	22.5	0.8	M61A824-P390****	500	3.9	42.0	30.0	16.0	37.5	1.0	M61A395-P3E0****	50
1.0	26.5	22.0	12.0	22.5	0.8	M61A105-P390****	500	4.7	42.0	33.5	18.5	37.5	1.0	M61A475-P3E0****	50
1.2	26.5	23.0	13.0	22.5	0.8	M61A125-P390****	500	5.6	42.0	34.0	20.0	37.5	1.0	M61A565-P3E0****	50
1.5	26.5	24.5	15.5	22.5	0.8	M61A155-P390****	500	6.8	42.0	37.0	22.0	37.5	1.0	M61A685-P3E0****	50
1.8	26.5	29.5	14.5	22.5	0.8	M61A185-P390****	500	8.2	42.0	37.0	26.0	37.5	1.0	M61A825-P3E0****	50
2.2	26.5	31.0	15.5	22.5	0.8	M61A225-P390****	500	10	42.0	41.0	26.0	37.5	1.0	M61A106-P3E0****	50
0.47	32.0	18.0	9.0	27.5	0.8	M61A474-P3B0****	200	12	42.0	45.0	30.0	37.5	1.0	M61A126-P3E0****	50
0.56	32.0	18.0	9.0	27.5	0.8	M61A564-P3B0****	200	15	42.0	50.0	30.0	37.5	1.0	M61A156-P3E0****	50
0.68	32.0	20.0	11.0	27.5	0.8	M61A684-P3B0****	200	18	57.0	45.0	30.0	52.5	1.2	M61A186-P3G0****	20
0.82	32.0	20.0	11.0	27.5	0.8	M61A824-P3B0****	200	20	57.0	48.0	30.0	52.5	1.2	M61A206-P3G0****	20
1.0	32.0	20.0	11.0	27.5	0.8	M61A105-P3B0****	200	25	57.0	50.0	35.0	52.5	1.2	M61A256-P3G0****	20

备注:

“-”: 客户要求的容量偏差

“\*\*\*\*”: 引线加工和包装代码 (见 15 页表 4)

“▲”: 额定电压为 275Vac 时, 第 9~10 位为 N3

“▲”: 额定电压为 305Vac 时, 第 9~10 位为 P2

MOQ: 最小订单量

“-”=custom's capacitor tolerance code, K=±10%, M=±20%

“\*\*\*\*”= Lead form and packing code (refer to table 4 in page 15)

“▲”=when the rated voltage is 275Vac, the digit 9~10 is N3

“▲”=when the rated voltage is 305Vac, the digit 9~10 is P2

MOQ = Minimum order quantity





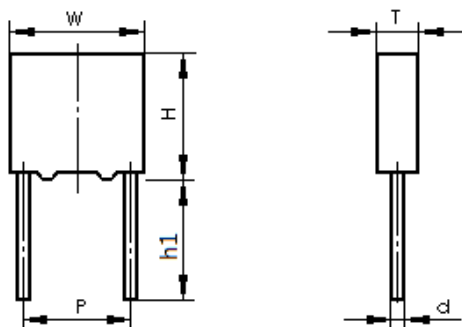
# MKP61R

MKP61R series

## MKP61R 抑制电源电磁干扰阻容模块 (X2 类, 300Vac)

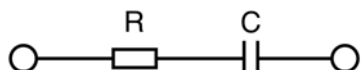
### Metallized Polypropylene Film Interference Suppression RC-unit(Class X2)

#### ◆ 外形尺寸图及产品结构 Outline Drawing and Capacitor Construction



$W \pm 0.4, H \pm 0.4, T \pm 0.4, P \pm 0.4$

#### ◆ 电路结构图 Electrical Connection



#### ◆ 特点及用途 Application and Feature

具有耐压高、绝缘电阻高、频率响应快等点，塑料外壳(UL94 V-0),阻燃环氧填充；具有良好的抑制噪音，吸收能量尖峰和阻尼作用。

High voltage、High insulation resistance、Good frequency response speed , Plastic case (UL94 V-0), Epoxy resin sealing. Suitable for the filtering and anti-radio-frequency interference at the both ends of the working frequency power supply.

#### ◆ 技术要求 Specifications

参照标准 Reference Standard	GB/T6346.14、IEC 60384-14	
气候类别/阻燃等级 Climatic category/Passive Flammability Class	40/110/56/B	
工作温度范围 Operation Temperature Range	-40°C~+110°C	
额定电压 Rated Voltage	300Vac (50/60Hz)	
电容量范围和偏差 Capacitance Range and Tolerance	0.01μF~1.0μF, ±20%(M)(20°C, 1kHz)	
电阻范围和偏差 Resistance Range And Tolerance	10.0Ω~1000Ω, ±30%	$C_N R_N < 50 \mu s, 100kHz$
		$C_N R_N \geq 50 \mu s, 1kHz$
耐电压 Voltage Proof	引线之间 Between Terminals	4.3U <sub>R</sub> (dc), 2s
	极壳之间 Between Terminals to case	2120Vac (1min)
绝缘电阻 Insulation Resistance	$C_R \leq 0.33\mu F, IR \geq 15\ 000\ M\Omega$ $C_R > 0.33\mu F, IR \times C \geq 5\ 000s$	(20°C, 100V, 1min)

#### ◆ 安全认证 Safety Approvals

	CQC (中国)	IEC 60384-14, X2, RC-Unit, 300Vac, 0.01μF~1μF, 40/110/56/B Certificate No.: CQC19001216572
	ENEC (欧盟)	IEC 60384-14, X2, RC-Unit, 300Vac, 0.01μF~1μF, 40/110/56/B Certificate No.: HN 69261979
	UL-CUL (美国/加拿大)	UL60384-14, CSA E60384-1, CSA E60384-14 X2, RC-Unit, 300Vac, 0.01μF~1μF, 40/110/56/B Certificate No.: E217215



## 产品代码编写说明：Part number code system

16 位产品代码如下：The 16 digits part number is formed as follow:

1	2	3	4	5	6	7	8	9	10	11	12	13	14	15	16
M	6	1	R												

第 1~4 位	薄膜电容器系列代码 M61R=MKP61R	Digit 1 to 4	Series code of film capacitor M61R=MKP61R
第 5~7 位	标称容量代码 举例：103=10×10 <sup>3</sup> pF=0.01 μ F	Digit 5 to 7	Rated capacitance value code For example: 103=10×10 <sup>3</sup> pF=0.01 μ F
第 8 位	容量等级代码 M=±20%	Digit 8	Capacitance tolerance code M=±20%
第 9~10 位	交流额定电压代码 F2=300Vac	Digit 9 to 10	AC rated voltage code F2=300Vac
第 11 位	引线脚距代码 6=14.0    7=18.0 9=22.5    B=27.5	Digit 11	Pitch code 6=14.0    7=18.0 9=22.5    B=27.5
第 12 位	电阻代码	Digit 12	Resistor cord
第 13~16 位	引线加工及包装代码	Digit 13~16	Lead form and packing code

表 1                      引线加工和包装代码                      Table1                      Lead form and packing code

第13位 Digit13		第14位 Digit14		第15位 Digit15		第 16 位 Digit16	
代码 Code	说明 explanation	代码 Code	说明 explanation	代码 Code	说明 explanation	代码 Code	说明 explanation
B	散装或切脚 in bulk or cut lead (in bulk)	00	标准引线长度 15mm (min) standard lead length 15mm (min)			0	引线长度偏差±0.5mm Length tolerance ±0.5mm
		35	引线长度3.5mm lead length 3.5mm				



# MKP61R

## MKP61R series

◆ 产品尺寸: Product Dimension:

CN ( $\mu$ F)	RN ( $\Omega$ )	300VAC					Part number
		W	H	T	P	d	
0.010	10~470	18.0	14.0	5.0	14.0	0.6	M61R103MF26#****
0.015	10~470	18.0	14.0	5.0	14.0	0.6	M61R153MF26#****
0.022	10~470	18.0	14.0	5.0	14.0	0.6	M61R223MF26#****
0.033	10~470	18.0	14.0	5.0	14.0	0.6	M61R333MF26#****
0.047	10~470	18.0	14.0	5.0	14.0	0.6	M61R473MF26#****
0.068	10~470	22.0	14.0	6.0	18.0	0.6	M61R683MF27#****
0.10	10~470	22.0	14.0	6.0	18.0	0.6	M61R104MF27#****
0.10	10~470	26.5	16.0	7.0	22.5	0.8	M61R104MF29#****
0.15	10~220	26.5	16.0	7.0	22.5	0.8	M61R154MF29#****
0.20	10~220	26.5	16.0	7.0	22.5	0.8	M61R204MF29#****
0.22	10~220	26.5	16.0	7.0	22.5	0.8	M61R224MF29#****
0.25	10~220	26.5	17.0	8.5	22.5	0.8	M61R254MF29#****
0.30	10~120	32.0	18.0	9.0	27.5	0.8	M61R304MF2B#****
0.33	10~120	32.0	18.0	9.0	27.5	0.8	M61R334MF2B#****
0.47	10~120	32.0	20.0	11.0	27.5	0.8	M61R474MF2B#****
0.50	10~120	32.0	20.0	11.0	27.5	0.8	M61R504MF2B#****
0.68	10~47	32.0	22.0	13.0	27.5	0.8	M61R684MF2B#****
1.0	10~27	32.0	22.0	13.0	27.5	0.8	M61R105MF2B#****

备注:

“\*\*\*\*”: 引线加工和包装代码 (见表 1)

“\*\*\*\*”= Lead form and packing code (refer to table 1)

“#”: 电阻值代码

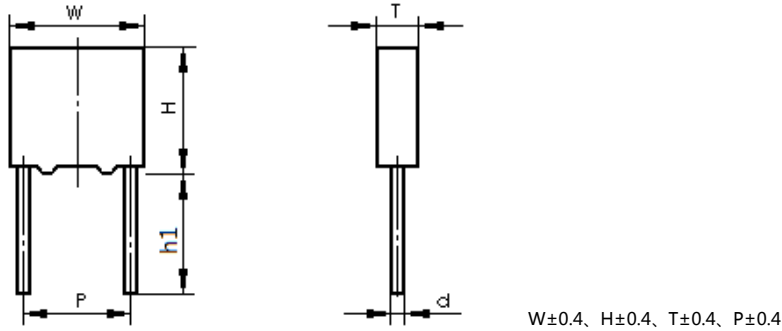
“#” = Resistor code

电阻代码 R code	L	N	P	A	B	S	C	D	E	F	H
电阻值 RN( $\Omega$ )	10	22	27	47	51	68	100	120	220	470	1000

## MKP65 型抑制电源电磁干扰薄膜电容器 (X1 类,440Vac/480Vac/530Vac)

### Metallized Polypropylene Film Interference Suppression Capacitor (Class X1)

#### ◆ 外形尺寸图及产品结构 Outline Drawing and Capacitor Construction



#### ◆ 特点及用途 Application and Feature




耐压高、绝缘电阻高、频率响应快等，塑料外壳(UL94 V-0)和阻燃环氧树脂灌封，承受过压冲击能力好，具有优异的阻燃性能；适用于电源跨线电路等抗干扰场合。

High voltage, High insulation resistance, Good frequency response speed; Plastic case (UL94 V-0), Epoxy resin sealing, withstanding overvoltage stressing, has excellent active and passive flame resistant abilities; Suitable for using in across-the-line, interference suppression circuit.

#### ◆ 技术要求 Specifications

参照标准 Reference Standard	GBT 6346.14、IEC 60384-14		
气候类别/阻燃等级 Climatic Category/Passive Flammability Class	40/110/56/B		
工作温度范围 Operation Temperature Range	-40℃~+110℃		
额定电压 Rated Voltage	440Vac/480Vac/530Vac, 50/60Hz		
最大连续直流电压 Maximum Continuous DC Voltage	1000Vdc		
电容量范围 Capacitance Range	0.001μF~10μF		
电容量偏差 Capacitance Tolerance	±10%(K)、±20%(M)(20℃, 1kHz)		
耐电压 Voltage Proof	引线之间 Between Terminals	4.3U <sub>R</sub> (dc) (2s)	
	极壳之间 Between Terminals to case	2560Vac (1min)	
绝缘电阻 Insulation Resistance	C <sub>R</sub> ≤0.33μF, IR≥15 000 MΩ (20℃, 100V, 1min) C <sub>R</sub> >0.33μF, IR×C≥5 000s		
损耗角正切 Dissipation Factor	0.001μF<C <sub>R</sub> ≤0.47μF	≤0.0010 (1kHz, 20℃)	≤0.0020 (10kHz, 20℃)
	0.47μF<C <sub>R</sub> ≤1.0μF	≤0.0020 (1kHz, 20℃)	≤0.0040 (10kHz, 20℃)
	1.0μF<C <sub>R</sub> <10μF	≤0.0030 (1kHz, 20℃)	-

#### ◆ 安全认证 Safety Approvals

	CQC (中国)	GB/T6364.14, X1, 440Vac/480Vac, 0.0010μF~10.0μF, 40/110/56/B Certificate No.: CQC16001157176
	ENEC-VDE (德国)	IEC 60384-14, X1, 440Vac/480Vac, 0.0010μF~10.0μF, 40/110/56/B Certificate No.: 40044615
	UL-CUL (美国/加拿大)	UL60384-14, X1, 440Vac, 0.0010μF~10.0μF, 40/110/56/B UL60384-14, X1, 530Vac, 0.0010μF~2.2μF, 40/110/56/B Certificate No.: E217215



# MKP65

MKP65 series

◆ 产品尺寸: Product Dimension:

440Vac/480Vac <sup>▲</sup>															
C (μF)	W	H	T	P	d	产品代码 Part number	MOQ	C (μF)	W	H	T	P	d	产品代码 Part number	MOQ
0.0010	10.5	9.0	4.0	7.5	0.6	MK65102-S130****	1000	0.01	18.0	9.5	5.0	15.0	0.6	MK65103-S160****	500
0.0012	10.5	9.0	4.0	7.5	0.6	MK65122-S130****	1000	0.012	18.0	9.5	5.0	15.0	0.6	MK65123-S160****	500
0.0015	10.5	9.0	4.0	7.5	0.6	MK65152-S130****	1000	0.015	18.0	9.5	5.0	15.0	0.6	MK65153-S160****	500
0.0018	10.5	9.0	4.0	7.5	0.6	MK65182-S130****	1000	0.018	18.0	9.5	5.0	15.0	0.6	MK65183-S160****	500
0.0022	10.5	9.0	4.0	7.5	0.6	MK65222-S130****	1000	0.022	18.0	9.5	5.0	15.0	0.6	MK65223-S160****	500
0.0027	10.5	9.0	4.0	7.5	0.6	MK65272-S130****	1000	0.027	18.0	11.0	5.0	15.0	0.6	MK65273-S160****	500
0.0033	10.5	9.0	4.0	7.5	0.6	MK65332-S130****	1000	0.033	18.0	11.0	5.0	15.0	0.6	MK65333-S160****	500
0.0039	10.5	9.0	4.0	7.5	0.6	MK65392-S130****	1000	0.039	18.0	12.0	6.0	15.0	0.6	MK65393-S160****	500
0.0047	10.5	9.0	4.0	7.5	0.6	MK65472-S130****	1000	0.047	18.0	12.0	6.0	15.0	0.6	MK65473-S160****	500
0.0056	10.5	9.0	4.0	7.5	0.6	MK65562-S130****	1000	0.056M	18.0	12.0	6.0	15.0	0.6	MK65563MS161****	500
0.0068	10.5	11.0	5.0	7.5	0.6	MK65682-S130****	1000	0.056K	18.0	12.0	7.0	15.0	0.6	MK65563KS160****	500
0.0082	10.5	11.0	5.0	7.5	0.6	MK65822-S130****	1000	0.068	18.0	13.5	7.5	15.0	0.6	MK65683-S160****	500
0.010	10.5	11.0	5.0	7.5	0.6	MK65103-S130****	1000	0.068	18.0	12.0	13.0	15.0	0.6	MK65683-S161****	500
0.012	10.5	12.0	6.0	7.5	0.6	MK65123-S130****	1000	0.082	18.0	14.0	8.0	15.0	0.6	MK65823-S160****	500
0.015	10.5	12.0	6.0	7.5	0.6	MK65153-S130****	1000	0.1M	18.0	14.0	8.0	15.0	0.6	MK65104MS160****	500
0.001	13.0	9.0	4.0	10.0	0.6	MK65102-S140****	500	0.1K	18.0	14.5	8.5	15.0	0.6	MK65104KS160****	500
0.0012	13.0	9.0	4.0	10.0	0.6	MK65122-S140****	500	0.12	18.0	16.0	10.0	15.0	0.8	MK65124-S160****	500
0.0015	13.0	9.0	4.0	10.0	0.6	MK65152-S140****	500	0.15M	18.0	16.0	10.0	15.0	0.8	MK65154MS160****	500
0.0018	13.0	9.0	4.0	10.0	0.6	MK65182-S140****	500	0.15K	18.0	19.0	11.0	15.0	0.8	MK65154KS160****	500
0.0022	13.0	9.0	4.0	10.0	0.6	MK65222-S140****	500	0.18	18.0	19.0	11.0	15.0	0.8	MK65184-S160****	500
0.0027	13.0	9.0	4.0	10.0	0.6	MK65272-S140****	500	0.039	26.5	15.0	6.0	22.5	0.8	MK65393-S190****	500
0.0033	13.0	9.0	4.0	10.0	0.6	MK65332-S140****	500	0.047	26.5	15.0	6.0	22.5	0.8	MK65473-S190****	500
0.0039	13.0	9.0	4.0	10.0	0.6	MK65392-S140****	500	0.056	26.5	15.0	6.0	22.5	0.8	MK65563-S190****	500
0.0047	13.0	9.0	4.0	10.0	0.6	MK65472-S140****	500	0.068	26.5	15.0	6.0	22.5	0.8	MK65683-S190****	500
0.0056	13.0	9.0	4.0	10.0	0.6	MK65562-S140****	500	0.082	26.5	15.0	6.0	22.5	0.8	MK65823-S190****	500
0.0068	13.0	9.0	4.0	10.0	0.6	MK65682-S140****	500	0.1	26.5	15.0	6.0	22.5	0.8	MK65104-S190****	500
0.0082	13.0	9.0	4.0	10.0	0.6	MK65822-S140****	500	0.12	26.5	15.0	6.0	22.5	0.8	MK65124-S190****	500
0.010	13.0	9.0	4.0	10.0	0.6	MK65103-S140****	500	0.15	26.5	16.0	7.0	22.5	0.8	MK65154-S190****	500
0.012	13.0	11.0	5.0	10.0	0.6	MK65123-S140****	500	0.18	26.5	17.0	8.5	22.5	0.8	MK65184-S190****	500
0.015	13.0	11.0	5.0	10.0	0.6	MK65153-S140****	500	0.22	26.5	17.0	8.5	22.5	0.8	MK65224-S190****	500
0.018	13.0	11.0	5.0	10.0	0.6	MK65183-S140****	500	0.27	26.5	18.5	10.0	22.5	0.8	MK65274-S190****	200
0.022	13.0	11.0	5.0	10.0	0.6	MK65223-S140****	500	0.33	26.5	20.0	11.0	22.5	0.8	MK65334-S190****	200
0.027	13.0	12.0	6.0	10.0	0.6	MK65273-S140****	500	0.39	26.5	20.0	11.0	22.5	0.8	MK65394-S190****	200
0.033	13.0	12.0	6.0	10.0	0.6	MK65333-S140****	500	0.47M	26.5	22.0	12.0	22.5	0.8	MK65474MS191****	200
0.039	13.0	13.0	7.0	10.0	0.6	MK65393-S140****	500	0.47K	26.5	23.0	13.5	22.5	0.8	MK65474KS190****	200
0.047M	13.0	13.0	7.0	10.0	0.6	MK65473MS141****	500	0.56M	26.5	23.0	13.5	22.5	0.8	MK65564MS191****	200
0.047K	13.0	14.0	8.0	10.0	0.6	MK65473KS140****	500	0.56K	26.5	24.5	15.5	22.5	0.8	MK65564KS190****	200
0.056	13.0	14.0	8.0	10.0	0.6	MK65563-S140****	500	0.68M	26.5	24.5	15.5	22.5	0.8	MK65684MS190****	200

备注:

“-”: 客户要求的容量偏差

“\*\*\*\*”: 引线加工和包装代码 (见 15 页表 4)

“▲”: 当额定电压为 480Vac 时, 第 9~10 位为 S3

MOQ: 最小订单量

“-”=custom's capacitor tolerance code, K=±10%, M=±20%

“\*\*\*\*”= Lead form and packing code (refer to table 4 in page 15)

“▲”=when the rated voltage is 480Vac, the digit 9~10 is S3

MOQ = Minimum order quantity

◆ 产品尺寸: Product Dimension:

440Vac/480Vac <sup>▲</sup>																
C ( $\mu$ F)	W	H	T	P	d	产品代码 Part number	MOQ	C ( $\mu$ F)	W	H	T	P	d	产品代码 Part number	MOQ	
0.15	32.0	18.0	9.0	27.5	0.8	MK65154-S1B0****	200	0.33	42.0	22.0	11.0	37.5	1.0	MK65334-S1E0****	50	
0.18	32.0	18.0	9.0	27.5	0.8	MK65184-S1B0****	200	0.39	42.0	22.0	11.0	37.5	1.0	MK65394-S1E0****	50	
0.22	32.0	18.0	9.0	27.5	0.8	MK65224-S1B0****	200	0.47	42.0	22.0	11.0	37.5	1.0	MK65474-S1E0****	50	
0.27	32.0	18.0	9.0	27.5	0.8	MK65274-S1B0****	200	0.56	42.0	22.0	11.0	37.5	1.0	MK65564-S1E0****	50	
0.33	32.0	18.0	9.0	27.5	0.8	MK65334-S1B0****	200	0.68	42.0	22.0	11.0	37.5	1.0	MK65684-S1E0****	50	
0.33	32.0	12.0	18.0	27.5	0.8	MK65334-S1B0****	100	0.82M	42.0	22.0	11.0	37.5	1.0	MK65824MS1E1****	50	
0.39	32.0	20.0	11.0	27.5	0.8	MK65394-S1B0****	100	0.82	42.0	24.0	13.0	37.5	1.0	MK65824-S1E0****	50	
0.47	32.0	20.0	11.0	27.5	0.8	MK65474-S1B0****	100	1.0	42.0	24.0	13.0	37.5	1.0	MK65105-S1E0****	50	
0.47	32.0	12.0	22.0	27.5	0.8	MK65474-S1B0****	100	1.0	42.0	15.0	24.0	37.5	1.0	MK65105-S1E0****	50	
0.56	32.0	22.0	13.0	27.5	0.8	MK65564-S1B0****	100	1.2	42.0	26.0	15.0	37.5	1.0	MK65125-S1E0****	50	
0.68	32.0	24.5	15.0	27.5	0.8	MK65684-S1B0****	100	1.2	42.0	28.0	14.0	37.5	1.0	MK65125-S1E1****	50	
0.68	32.0	25.0	13.0	27.5	0.8	MK65684-S1B1****	100	1.5	42.0	30.0	16.0	37.5	1.0	MK65155-S1E0****	50	
0.68M	32.0	22.0	13.0	27.5	0.8	MK65684MS1B2****	100	1.5	42.0	19.0	24.0	37.5	1.0	MK65155-S1E1****	50	
0.68	32.0	16.0	22.0	27.5	0.8	MK65684-S1B3****	100	1.5M	42.0	28.0	14.0	37.5	1.0	MK65155MS1E2****	50	
0.82	32.0	24.5	15.0	27.5	0.8	MK65824-S1B0****	100	1.5M	42.0	26.0	15.0	37.5	1.0	MK65155MS1E3****	50	
0.82K	32.0	28.0	14.0	27.5	0.8	MK65824KS1B1****	100	1.8M	42.0	30.0	16.0	37.5	1.0	MK65185MS1E1****	50	
0.82M	32.0	25.0	13.0	27.5	0.8	MK65824MS1B2****	100	1.8	42.0	32.0	17.0	37.5	1.0	MK65185-S1E0****	50	
1.0	32.0	28.0	17.0	27.5	0.8	MK65105-S1B0****	100	2.2M	42.0	32.0	17.0	37.5	1.0	MK65225MS1E1****	50	
1.0	32.0	18.5	31.0	27.5	0.8	MK65105-S1B1****	50	2.2	42.0	33.5	18.5	37.5	1.0	MK65225-S1E0****	50	
1.0	32.0	30.0	16.0	27.5	0.8	MK65105-S1B2****	50	2.7	42.0	37.0	22.0	37.5	1.0	MK65275-S1E0****	50	
1.0M	32.0	16.0	27.5	27.5	0.8	MK65105MS1B3****	50	3.3	42.0	41.0	26.0	37.5	1.0	MK65335-S1E0****	50	
1.2	32.0	33.0	18.0	27.5	0.8	MK65125-S1B0****	50	3.3	42.0	37.5	27.5	37.5	1.0	MK65335-S1E1****	20	
1.2	32.0	29.0	19.0	27.5	0.8	MK65125-S1B1****	50	3.3M	42.0	37.0	22.0	37.5	1.0	MK65335MS1E2****	20	
1.2M	32.0	28.0	17.0	27.5	0.8	MK65125MS1B2****	50	3.9	42.0	41.0	26.0	37.5	1.0	MK65395-S1E0****	20	
1.2M	32.0	30.0	16.0	27.5	0.8	MK65125MS1B3****	50	3.9	42.0	37.5	27.5	37.5	1.0	MK65395-S1E1****	20	
1.5	32.0	33.0	18.0	27.5	0.8	MK65155-S1B0****	50	4.7M	42.0	43.0	28.0	37.5	1.0	MK65475MS1E2****	20	
1.5M	32.0	29.0	19.0	27.5	0.8	MK65155MS1B1****	50	4.7	42.0	45.0	30.0	37.5	1.0	MK65475-S1E0****	20	
1.5M	32.0	18.5	31.0	27.5	0.8	MK65155MS1B2****	50	4.7	57.0	38.0	24.0	52.5	1.2	MK65475-S1G0****	20	
1.8	32.0	37.0	22.0	27.5	0.8	MK65185-S1B0****	50	5.6	57.0	45.0	30.0	52.5	1.2	MK65565-S1G0****	20	
2.2M	32.0	37.0	22.0	27.5	0.8	MK65225MS1B0****	50	6.8	57.0	45.0	30.0	52.5	1.2	MK65685-S1G0****	20	
								6.8	57.0	30.0	44.0	52.5	1.2	MK65685-S1G1****	20	
								8.2	57.0	50.0	35.0	52.5	1.2	MK65825-S1G0****	20	
								10	57.0	50.0	35.0	52.5	1.2	MK65106-S1G0****	20	

备注:

“-”: 客户要求的容量偏差

“\*\*\*\*”: 引线加工和包装代码 (见 15 页表 4)

“▲”: 当额定电压为 480Vac 时, 第 9~10 位为 S3

MOQ: 最小订单量

“-”=custom's capacitor tolerance code, K=±10%, M=±20%

“\*\*\*\*”= Lead form and packing code (refer to table 4 in page 15)

“▲”=when the rated voltage is 480Vac, the digit 9~10 is S3

MOQ = Minimum order quantity



# MKP65

MKP65 series

◆ 产品尺寸: **Product Dimension:**

530Vac																
C (μF)	W	H	T	P	d	产品代码 Part number	MOQ	C (μF)	W	H	T	P	d	产品代码 Part number	MOQ	
0.001	10.5	9.0	4.0	7.5	0.6	MK65102-H33A****	1000	0.001	13.0	9.0	4.0	10.0	0.6	MK65102-H34A****	500	
0.0012	10.5	9.0	4.0	7.5	0.6	MK65122-H33A****	1000	0.0012	13.0	9.0	4.0	10.0	0.6	MK65122-H34A****	500	
0.0015	10.5	9.0	4.0	7.5	0.6	MK65152-H33A****	1000	0.0015	13.0	9.0	4.0	10.0	0.6	MK65152-H34A****	500	
0.0018	10.5	9.0	4.0	7.5	0.6	MK65182-H33A****	1000	0.0018	13.0	9.0	4.0	10.0	0.6	MK65182-H34A****	500	
0.0022	10.5	9.0	4.0	7.5	0.6	MK65222-H33A****	1000	0.0022	13.0	9.0	4.0	10.0	0.6	MK65222-H34A****	500	
0.0027	10.5	9.0	4.0	7.5	0.6	MK65272-H33A****	1000	0.0027	13.0	9.0	4.0	10.0	0.6	MK65272-H34A****	500	
0.0033	10.5	9.0	4.0	7.5	0.6	MK65332-H33A****	1000	0.0033	13.0	9.0	4.0	10.0	0.6	MK65332-H34A****	500	
0.0039	10.5	9.0	4.0	7.5	0.6	MK65392-H33A****	1000	0.0039	13.0	9.0	4.0	10.0	0.6	MK65392-H34A****	500	
0.0047	10.5	10.0	5.0	7.5	0.6	MK65472-H33A****	1000	0.0047	13.0	9.0	4.0	10.0	0.6	MK65472-H34A****	500	
0.0056	10.5	10.0	5.0	7.5	0.6	MK65562-H33A****	1000	0.0056	13.0	11.0	5.0	10.0	0.6	MK65562-H34A****	500	
0.0068	10.5	11.0	5.0	7.5	0.6	MK65682-H33A****	1000	0.0068	13.0	11.0	5.0	10.0	0.6	MK65682-H34A****	500	
0.0082	10.5	12.0	6.0	7.5	0.6	MK65822-H33A****	1000	0.0082	13.0	11.0	5.0	10.0	0.6	MK65822-H34A****	500	
0.01	10.5	12.0	6.0	7.5	0.6	MK65103-H33A****	1000	0.01	13.0	12.0	6.0	10.0	0.6	MK65103-H34A****	500	
								0.015	13.0	13.0	7.0	10.0	0.6	MK65153-H34A****	500	

备注:

可用于高频的电容降压电路

“-”: 客户要求的容量偏差

“\*\*\*\*”: 引线加工和包装代码 (见 15 页表 4)

MOQ: 最小订单量

Used in capacitive divider with high frequency

“-”=custom's capacitor tolerance code, J=±5%, K=±10%, M=±20%

“\*\*\*\*”= Lead form and packing code (refer to table 4 in page 15)

MOQ = Minimum order quantity

◆ 产品尺寸: Product Dimension:

530Vac															
C (μF)	W	H	T	P	d	产品代码 Part number	MOQ	C (μF)	W	H	T	P	d	产品代码 Part number	MOQ
0.012	18.0	11.0	5.0	15.0	0.8	MK65123-H360****	500	0.12	32.0	18.0	9.0	27.5	0.8	MK65124-H3B0****	200
0.015	18.0	11.0	5.0	15.0	0.8	MK65153-H360****	500	0.15	32.0	20.0	11.0	27.5	0.8	MK65154-H3B0****	100
0.018	18.0	12.0	6.0	15.0	0.8	MK65183-H360****	500	0.18	32.0	20.0	11.0	27.5	0.8	MK65184-H3B0****	100
0.022	18.0	12.0	6.0	15.0	0.8	MK65223-H360****	500	0.22	32.0	22.0	13.0	27.5	0.8	MK65224-H3B0****	100
0.027	18.0	13.0	7.0	15.0	0.8	MK65273-H360****	500	0.27	32.0	22.0	13.0	27.5	0.8	MK65274-H3B0****	100
0.033	18.0	13.5	7.5	15.0	0.8	MK65333-H360****	500	0.33	32.0	25.0	13.0	27.5	0.8	MK65334-H3B0****	100
0.039	18.0	14.0	8.0	15.0	0.8	MK65393-H360****	500	0.39	32.0	25.5	16.0	27.5	0.8	MK65394-H3B0****	100
0.047	18.0	14.5	8.5	15.0	0.8	MK65473-H360****	500	0.47	32.0	28.0	17.0	27.5	0.8	MK65474-H3B0****	50
0.056	18.0	16.0	10.0	15.0	0.8	MK65563-H360****	500	0.56	32.0	33.0	18.0	27.5	0.8	MK65564-H3B0****	50
0.068	18.0	19.0	11.0	15.0	0.8	MK65683-H360****	500	0.27	42.0	22.0	11.0	37.5	1.0	MK65274-H3E0****	50
0.082	18.0	19.0	11.0	15.0	0.8	MK65823-H360****	500	0.33	42.0	22.0	11.0	37.5	1.0	MK65334-H3E0****	50
0.047	26.5	15.0	6.0	22.5	0.8	MK65473-H390****	500	0.39	42.0	24.0	13.0	37.5	1.0	MK65394-H3E0****	50
0.056	26.5	15.0	6.0	22.5	0.8	MK65563-H390****	500	0.47	42.0	28.0	14.0	37.5	1.0	MK65474-H3E0****	50
0.068	26.5	16.0	7.0	22.5	0.8	MK65683-H390****	500	0.56	42.0	28.0	14.0	37.5	1.0	MK65564-H3E0****	50
0.082	26.5	17.0	8.5	22.5	0.8	MK65823-H390****	500	0.68	42.0	30.0	16.0	37.5	1.0	MK65684-H3E0****	50
0.1	26.5	17.0	8.5	22.5	0.8	MK65104-H390****	500	0.82	42.0	32.0	17.0	37.5	1.0	MK65824-H3E0****	50
0.12	26.5	18.5	10.0	22.5	0.8	MK65124-H390****	200	1	42.0	33.5	18.5	37.5	1.0	MK65105-H3E0****	50
0.15	26.5	20.0	11.0	22.5	0.8	MK65154-H390****	200	1.2	42.0	37.0	22.0	37.5	1.0	MK65125-H3E0****	50
0.18	26.5	22.0	12.0	22.5	0.8	MK65184-H390****	200	1.5	42.0	38.0	24.0	37.5	1.0	MK65155-H3E0****	50
								1.8	42.0	41.0	26.0	37.5	1.0	MK65185-H3E0****	20
								2.2	42.0	45.0	30.0	37.5	1.0	MK65225-H3E0****	20

备注:

“-”: 客户要求的容量偏差

“\*\*\*\*”: 引线加工和包装代码 (见 15 页表 4)

MOQ: 最小订单量

“-”=custom's capacitor tolerance code, K=±10%, M=±20%

“\*\*\*\*”= Lead form and packing code (refer to table 4 in page 15)

MOQ = Minimum order quantity



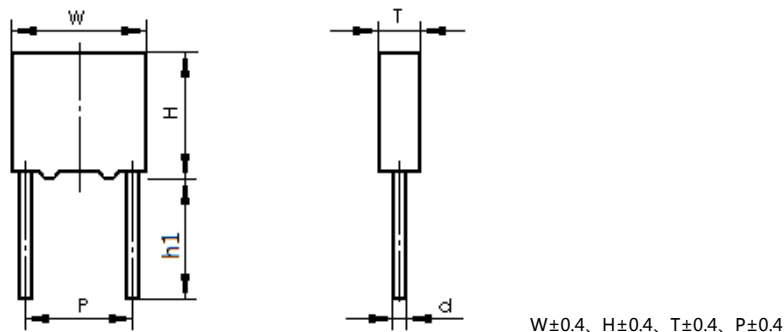


MKP63  
MKP63 series

## MKP63 型抑制电源电磁干扰薄膜电容器 (Y2 类, 300Vac)

### Metallized Polypropylene Film Interference Suppression Capacitor (Class Y2)

#### ◆ 外形尺寸图及产品结构 Outline Drawing and Capacitor Construction



#### ◆ 特点及用途 Application and Feature

具有耐压高、绝缘电阻高、过压冲击特性好等特点，塑料外壳(UL94 V-0)，阻燃环氧树脂灌封；适用于电源接地、旁路、天线耦合等抗干扰场合。

High-voltage proof, High insulation resistance, withstanding overvoltage stressing, Plastic case (UL94 V-0), Epoxy resin sealing, Widely used in line to ground, line-by-pass, antenna coupling interference suppression circuit, etc.

#### ◆ 技术要求 Specifications

参照标准 Reference Standard	GBT 6346.14、IEC 60384-14		
气候类别/阻燃等级 Climatic category/Passive Flammability Class	40/110/56/B		
工作温度范围 Operation Temperature Range	-40℃~+110℃		
额定电压 Rated Voltage (50/60Hz)	300Vac (50/60Hz)		
最大连续直流电压 Maximum Continuous Voltage	1500Vdc		
电容量范围 Capacitance Range	0.001μF~1.0μF		
电容量偏差 Capacitance Tolerance	±10%(K)、±20%(M) (20℃, 1kHz)		
耐电压 Voltage Proof	引线之间 Between Terminals	2000Vac (2s) or	4000Vdc (2s) $C_R \leq 0.33\mu F$ 3700Vdc (2s) $C_R > 0.33\mu F$
	极壳之间 Between Terminals to case	2500Vac (1min)	
绝缘电阻 Insulation Resistance	$C_R \leq 0.33\mu F, IR \geq 15\ 000\ M\Omega$ $C_R > 0.33\mu F, IR \times C \geq 5\ 000s$ (20℃, 100V, 1min)		
损耗角正切 Dissipation Factor	1kHz: $\tan \delta \leq 0.0030$ 10kHz: $\tan \delta \leq 0.0040$ ( $C_R \leq 1\mu F$ ) (20℃)		

#### ◆ 安全认证 Safety Approvals

	CQC (中国)	GBT 6346.14, Y2, 300Vac, 0.0010μF~1.0μF, 40/110/56/B Certificate No.: CQC13001094107
	ENEC-VDE (德国)	IEC 60384-14, Y2, 300Vac, 0.0010μF~1.0μF, 40/110/56/B Certificate No.: 40037168
	UL-CUL (美国/加拿大)	UL60384-14, Y2, 300Vac, 0.0010μF~1.0μF, 40/110/56/B Certificate No.: E217215

◆ 产品尺寸: Product Dimension:

300Vac															
C (μF)	W	H	T	P	d	产品代码 Part number	MOQ	C (μF)	W	H	T	P	d	产品代码 Part number	MOQ
0.001	10.5	9.0	4.0	7.5	0.6	MK63102-F230****	1000	0.01	18.0	9.5	5.0	15.0	0.6	MK63103-F26X****	500
0.0012	10.5	9.0	4.0	7.5	0.6	MK63122-F230****	1000	0.01	18.0	11.0	5.0	15.0	0.6	MK63103-F260****	500
0.0015	10.5	9.0	4.0	7.5	0.6	MK63152-F230****	1000	0.012	18.0	11.0	5.0	15.0	0.6	MK63123-F260****	500
0.0018	10.5	9.0	4.0	7.5	0.6	MK63182-F230****	1000	0.015	18.0	11.0	5.0	15.0	0.6	MK63153-F26X****	500
0.0022	10.5	9.0	4.0	7.5	0.6	MK63222-F230****	1000	0.015	18.0	12.0	6.0	15.0	0.8	MK63153-F260****	500
0.0027	10.5	9.0	4.0	7.5	0.6	MK63272-F230****	1000	0.018	18.0	12.0	6.0	15.0	0.8	MK63183-F260****	500
0.0033	10.5	11.0	5.0	7.5	0.6	MK63332-F230****	1000	0.022	18.0	12.0	6.0	15.0	0.8	MK63223-F26X****	500
0.0039	10.5	11.0	5.0	7.5	0.6	MK63392-F230****	1000	0.022	18.0	13.0	7.0	15.0	0.8	MK63223-F260****	500
0.0047	10.5	12.0	6.0	7.5	0.6	MK63472-F230****	1000	0.027	18.0	12.0	7.0	15.0	0.8	MK63273-F26X****	500
0.0056	10.5	12.0	6.0	7.5	0.6	MK63562-F230****	1000	0.027	18.0	13.5	7.5	15.0	0.8	MK63273-F260****	500
0.001	13.0	9.0	4.0	10.0	0.6	MK63102-F240****	500	0.033	18.0	13.5	7.5	15.0	0.8	MK63333-F26X****	500
0.0012	13.0	9.0	4.0	10.0	0.6	MK63122-F240****	500	0.033	18.0	14.0	8.0	15.0	0.8	MK63333-F260****	500
0.0015	13.0	9.0	4.0	10.0	0.6	MK63152-F240****	500	0.039	18.0	13.5	7.5	15.0	0.8	MK63393-F26X****	500
0.0018	13.0	9.0	4.0	10.0	0.6	MK63182-F240****	500	0.039	18.0	14.5	8.5	15.0	0.8	MK63393-F260****	500
0.0022	13.0	9.0	4.0	10.0	0.6	MK63222-F240****	500	0.047	18.0	14.5	8.5	15.0	0.8	MK63473-F26X****	500
0.0027	13.0	9.0	4.0	10.0	0.6	MK63272-F240****	500	0.047	18.0	16.0	10.0	15.0	0.8	MK63473-F260****	500
0.0033	13.0	9.0	4.0	10.0	0.6	MK63332-F240****	500	0.056	18.0	16.0	10.0	15.0	0.8	MK63563-F26X****	500
0.0039	13.0	9.0	4.0	10.0	0.6	MK63392-F24X****	1000	0.056	18.0	18.0	10.0	15.0	0.8	MK63563-F260****	500
0.0039	13.0	11.0	5.0	10.0	0.6	MK63392-F240****	500	0.068	18.0	16.0	10.0	15.0	0.8	MK63683-F26X****	500
0.0047	13.0	11.0	5.0	10.0	0.6	MK63472-F240****	500	0.068	18.0	19.0	11.0	15.0	0.8	MK63683-F260****	500
0.0056	13.0	11.0	5.0	10.0	0.6	MK63562-F240****	500	0.082	18.0	19.0	11.0	15.0	0.8	MK63823-F26X****	500
0.0068	13.0	11.0	5.0	10.0	0.6	MK63682-F24X****	1000	0.082	18.0	21.0	12.0	15.0	0.8	MK63823-F260****	500
0.0068	13.0	12.0	6.0	10.0	0.6	MK63682-F240****	500								
0.0082	13.0	12.0	6.0	10.0	0.6	MK63822-F240****	500								
0.01	13.0	12.0	6.0	10.0	0.6	MK63103-F24X****	1000								
0.01	13.0	13.0	7.0	10.0	0.6	MK63103-F240****	500								
0.012	13.0	12.0	6.0	10.0	0.6	MK63123-F24X****	1000								
0.015	13.0	13.0	7.0	10.0	0.6	MK63153-F24X****	1000								
0.022	13.0	18.0	7.0	10.0	0.6	MK63223-F24X****	1000								

备注:

“-”: 客户要求的容量偏差

“\*\*\*\*”: 引线加工和包装代码 (见 15 页表 4)

MOQ: 最小订单量

“-”=custom's capacitor tolerance code, K=±10%, M=±20%

“\*\*\*\*”= Lead form and packing code (refer to table 4 in page 15)

MOQ = Minimum order quantity



# MKP63

## MKP63 series

### ◆ 产品尺寸: Product Dimension:

300Vac																
C ( $\mu$ F)	W	H	T	P	d	产品代码 Part number	MOQ	C ( $\mu$ F)	W	H	T	P	d	产品代码 Part number	MOQ	
0.047	26.5	15.0	6.0	22.5	0.8	MK63473-F290****	500	0.27	32.0	24.5	14.0	27.5	0.8	MK63274-F2B0****	100	
0.056	26.5	15.0	6.0	22.5	0.8	MK63563-F29X****	500	0.33	32.0	25.0	13.0	27.5	0.8	MK63334-F2BX****	100	
0.056	26.5	16.0	7.0	22.5	0.8	MK63563-F290****	500	0.33	32.0	25.5	16.0	27.5	0.8	MK63334-F2B0****	100	
0.068	26.5	16.0	7.0	22.5	0.8	MK63683-F290****	500	0.39	32.0	28.0	16.0	27.5	0.8	MK63394-F2B0****	100	
0.082	26.5	16.0	7.0	22.5	0.8	MK63823-F29X****	500	0.47	32.0	30.0	16.0	27.5	0.8	MK63474-F2BX****	10	
0.082	26.5	17.0	8.5	22.5	0.8	MK63823-F290****	500	0.47	32.0	29.0	18.5	27.5	0.8	MK63474-F2B0****	100	
0.1	26.5	17.0	8.5	22.5	0.8	MK63104-F29X****	500	0.56	32.0	30.0	16.0	27.5	0.8	MK63564-F2BX****	50	
0.1	26.5	18.0	9.0	22.5	0.8	MK63104-F290****	500	0.56	32.0	31.0	21.0	27.5	0.8	MK63564-F2B0****	50	
0.12	26.5	17.0	8.5	22.5	0.8	MK63124-F29X****	500	0.68	32.0	33.0	18.0	27.5	0.8	MK63684-F2BX****	50	
0.12	26.5	20.0	11.0	22.5	0.8	MK63124-F290****	200	0.68	32.0	33.0	23.0	27.5	0.8	MK63684-F2B0****	50	
0.15	26.5	18.5	10.0	22.5	0.8	MK63154-F29X****	500	0.82	32.0	37.0	22.0	27.5	0.8	MK63824-F2BX****	50	
0.15	26.5	20.0	11.0	22.5	0.8	MK63154-F290****	200	0.82	32.0	36.5	25.0	27.5	0.8	MK63824-F2B0****	50	
0.18	26.5	20.0	11.0	22.5	0.8	MK63184-F29X****	200	1	32.0	37.0	22.0	27.5	0.8	MK63105-F2BX****	50	
0.18	26.5	22.0	13.0	22.5	0.8	MK63184-F290****	200	1	32.0	39.5	27.5	27.5	0.8	MK63105-F2B0****	50	
0.22	26.5	22.0	12.0	22.5	0.8	MK63224-F29X****	200	0.33	42.0	22.0	11.0	37.5	1.0	MK63334-F2EX****	50	
0.22	26.5	25.0	15.0	22.5	0.8	MK63224-F290****	200	0.33	42.0	25.0	14.0	37.5	1.0	MK63334-F2E0****	50	
0.27	26.5	23.0	13.5	22.5	0.8	MK63274-F29X****	200	0.39	42.0	24.0	13.0	37.5	1.0	MK63394-F2EX****	50	
0.27	26.5	26.0	16.0	22.5	0.8	MK63274-F290****	100	0.39	42.0	25.0	14.0	37.5	1.0	MK63394-F2E0****	50	
0.33	26.5	24.5	15.5	22.5	0.8	MK63334-F29X****	100	0.47	42.0	24.0	13.0	37.5	1.0	MK63474-F2EX****	50	
0.33	26.5	27.5	17.0	22.5	0.8	MK63334-F290****	100	0.47	42.0	26.0	15.0	37.5	1.0	MK63474-F2E0****	50	
0.1	32.0	18.0	9.0	27.5	0.8	MK63104-F2B0****	200	0.56	42.0	26.0	15.0	37.5	1.0	MK63564-F2EX****	50	
0.12	32.0	18.0	9.0	27.5	0.8	MK63124-F2B0****	200	0.56	42.0	29.0	17.0	37.5	1.0	MK63564-F2E0****	50	
0.15	32.0	18.0	9.0	27.5	0.8	MK63154-F2BX****	200	0.68	42.0	30.0	16.0	37.5	1.0	MK63684-F2EX****	50	
0.15	32.0	20.0	11.0	27.5	0.8	MK63154-F2B0****	100	0.68	42.0	32.0	19.0	37.5	1.0	MK63684-F2E0****	50	
0.18	32.0	20.0	11.0	27.5	0.8	MK63184-F2B0****	100	0.82	42.0	33.0	20.0	37.5	1.0	MK63824-F2E0****	50	
0.22	32.0	20.0	11.0	27.5	0.8	MK63224-F2BX****	100	1	42.0	33.5	18.5	37.5	1.0	MK63105-F2EX****	50	
0.22	32.0	22.0	13.0	27.5	0.8	MK63224-F2B0****	100	1	42.0	35.0	23.0	37.5	1.0	MK63105-F2E0****	50	
0.27	32.0	22.0	13.0	27.5	0.8	MK63274-F2BX****	100									

备注:

“-”: 客户要求的容量偏差

“\*\*\*\*”: 引线加工和包装代码 (见 15 页表 4)

MOQ: 最小订单量

“-”=custom's capacitor tolerance code, K=±10%, M=±20%

“\*\*\*\*”= Lead form and packing code (refer to table 4 in page 15)

MOQ = Minimum order quantity

## MKP89 型 IGBT 吸收电容器

### MKP89 Type Snubber Capacitor for IGBT

< 60°C/93%RH/1000h /  $U_{NDC}$  >

#### ◆ 外形尺寸图及产品结构 Outline Drawing and Capacitor Construction

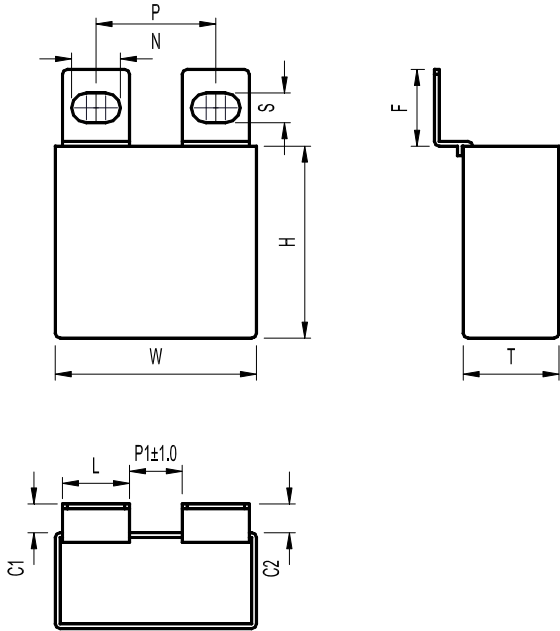


图 1:引出类型 1 (Style 1)

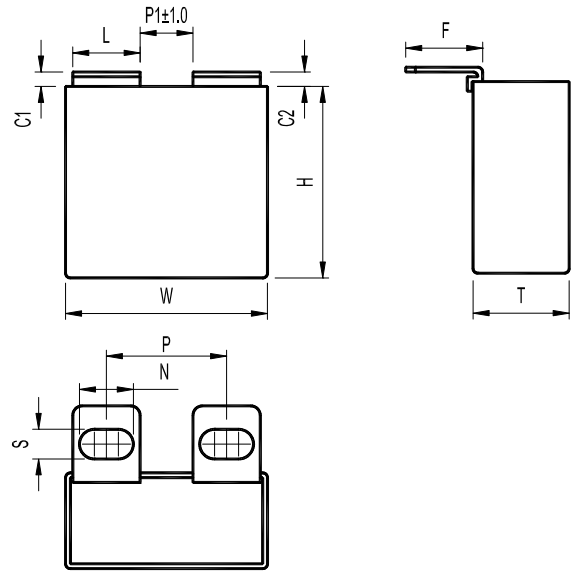


图 2: 引出类型 2 (Style 2)

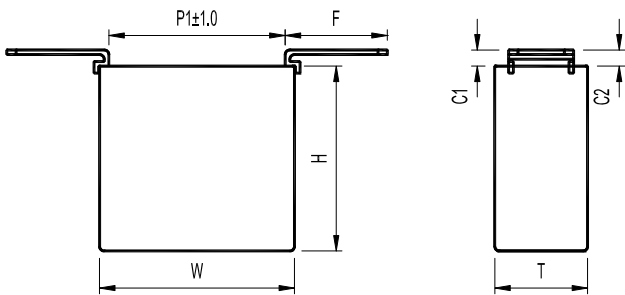


图 3:引出类型 3 (Style 3)

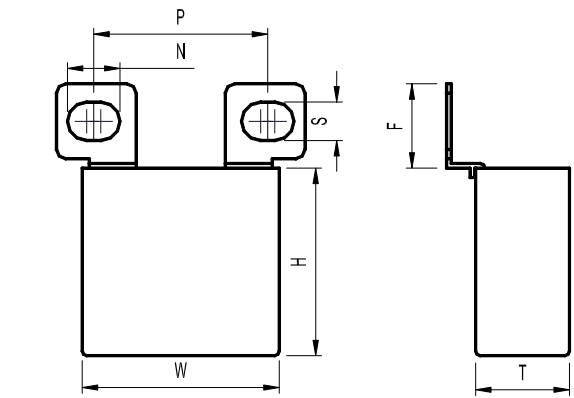


图 4: 引出类型 4 (Style 4)

#### ◆ 特点及用途 Application and Feature

自感小，内部温升小，广泛应用于高压高频脉冲电路，适合作为 IGBT 吸收电容。

Low inductance and small inherent temperature rise, Widely used in high voltage, high frequency circuit, especially designed as snubber capacitor for IGBT.




# MKP89

## MKP89 series

### ◆ 技术要求 Specifications

参照标准 Reference Standard	GB/T 17702, IEC 61071
气候类别 Climatic Category	40/85/56
额定电压 Rated Voltage	700Vdc/420Vac、900Vdc/450Vac、1000Vdc/500Vac、 1250Vdc/600Vac、1600Vdc/650Vac、2000Vdc/700Vac
工作温度范围(热点) Operation Temperature Range(Hot Spot)	-40℃~110℃ (+85℃~+110℃: 1.25% /℃ of U <sub>OP</sub> derating compared to U <sub>NDC</sub> at 85℃)
电容量 Capacitance Range	0.1μF~9.0μF
电容量偏差 Capacitance Tolerance	±5%(J)、±10%(K) (20℃, 1kHz)
耐电压 Voltage Proof	U=1.5U <sub>NDC</sub> (20℃, 10s)
绝缘电阻 Insulation Resistance	C <sub>R</sub> ≤0.33μF, IR≥100 000MΩ C <sub>R</sub> >0.33μF, IR×C≥30 000s (20℃, 100V, 1min)
损耗角正切 Dissipation Factor	1kHz: Tan δ≤0.0005
工作寿命 Operation Life Time	100 000 hours at U <sub>NDC</sub> , Θ <sub>max</sub> =70℃

### ◆ 安全认证 Safety Approvals

	UL-CUL (美国/加拿大)	UL810, CSA C22.2 No. 190, (construction only) 证书号 (File No.): E477437
--	--------------------	--

### ◆ 产品代码编写说明: Part number code system:

16 位产品代码如下: The 16 digits part number is formed as follow:

1	2	3	4	5	6	7	8	9	10	11	12	13	14	15	16
M	K	8	9												

第 1~4 位	薄膜电容器系列代码 MK89=MKP89	Digit 1~4	Series code of film capacitor MK89=MKP89
第 5~7 位	标称容量代码 举例: 104=10×10 <sup>4</sup> pF=0.1μF	Digit 5~7	Rated capacitance value code For example: 104=10×10 <sup>4</sup> pF=0.1μF
第 8 位	容量等级代码 J=±5% K=±10%	Digit 8	Capacitance tolerance code J=±5% K=±10%
第 9~10 位	直流额定电压代码 1V=700V 1X=900V 3A=1000V 3B=1250V 3C=1600V 3D=2000V	Digit 9~10	DC rated voltage code 1V=700V 1X=900V 3A=1000V 3B=1250V 3C=1600V 3D=2000V
第 11 位	安装孔距代码 见表 1	Digit 11	Distance of hole for fixing Referring to table 1
第 12 位	内部特征码	Digit 12	Internal use
第 13 位	外壳宽度 1=37mm 2=42mm 3=57mm	Digit 13	Wide of case 1=37mm 2=42mm 3=57mm
第 14~16 位	引出端代码 (接线片式) 见表 2	Digit 14~16	Terminals code (lug terminals) Referring to table 2

表 1 安装孔距（接线片式）

Table 1 Distance of hole for fixing (lug terminals)

焊片引出方式 Style for solder slice	外壳宽度 Width of case	安装孔距(mm) Distance of hole for fixing		焊片间距(mm)P1 Distance between solder slice	
	W	P	代码 Code		
style 1	37	16~24	1	6	
		21~29	D	12	
style 2		16~24	2	6	
		21~29	E	12	
style 3		52~62	3	32	
style 4		29~36	A	14	
style 1		42	21~29	4	11
style 2			21~29	5	11
style 3	57~67		6	37	
style 4	33~41		B	18	
style 1	57	35~43	7	25	
style 2		35~43	8	25	
style 3		71~81	9	52	
style 4		33~41	C	18	

表 2 引出端代码（接线片式）

Table 2 Terminals code (lug terminals)

第14位 Digit14		第15位 Digit15		第 16 位 Digit16	
C高度 Height for C		焊片引出方式 Style for solder slice		焊片尺寸 Size for solder slice(mm)	
代码 Code	说明 explanation	代码 Code	说明 explanation	代码 Code	说明 explanation
3	C1=C2=3	1	图1 Style1	1	$L \times F \times N \times S = 14 \times 16 \times 10.2 \times 6.2$
6	C1=C2=6	2	图2 Style2	2	$L \times F \times N \times S = 14 \times 22 \times 11.2 \times 6.2$
		3	图3 Style3	3	$L \times F \times N \times S = 12 \times 22 \times 11.2 \times 6.2$
		4	图4 Style4	4	$L \times F \times N \times S = 17 \times 18 \times 11.2 \times 8.2$



MKP89

中星 MKP89 series

◆ 产品尺寸及性能参数: Product Dimension and Characteristic Data:

700Vdc/420Vac								
C ( $\mu$ F)	W $\pm 1.0$	H $\pm 1.0$	T $\pm 1.0$	dv/dt (V/ $\mu$ s)	I <sub>peak</sub> (A)	I <sub>RMS</sub> (A)	ESR (m $\Omega$ )	产品代码 Part number
0.68	37.0	25.0	15.0	900	612	13	5.0	MK89684-1V~01***
1.0	37.0	30.0	16.0	900	900	14	5.0	MK89105-1V~01***
1.2	37.0	30.0	16.0	900	1080	16	4.5	MK89125-1V~01***
1.5	37.0	34.0	20.0	900	1350	17	4.5	MK89155-1V~01***
1.8	37.0	34.0	20.0	900	1620	18	4.5	MK89185-1V~01***
2.0	42.0	40.0	20.0	600	1200	18	4.0	MK89205-1V~02***
2.2	42.0	40.0	20.0	600	1320	18.5	4.0	MK89225-1V~02***
2.5	42.0	40.0	20.0	600	1500	19	4.0	MK89255-1V~02***
3.0	42.0	44.0	24.0	600	1800	20	4.0	MK89305-1V~02***
3.3	42.0	44.0	24.0	600	1980	20	3.5	MK89335-1V~02***
4.0	42.0	44.0	24.0	600	2400	21	3.5	MK89405-1V~02***
4.7	42.0	45.0	30.0	600	2820	23	3.5	MK89475-1V~02***
5.0	42.0	45.0	30.0	600	3000	23.5	3.0	MK89505-1V~02***
6.0	42.0	43.0	42.0	600	3600	25	3.0	MK89605-1V~02***
6.5	42.0	43.0	42.0	600	3900	26	3.0	MK89655-1V~02***
6.5	57.0	45.0	30.0	360	2340	24	2.5	MK89655-1V~03***
7.0	57.0	45.0	30.0	360	2520	25	2.5	MK89705-1V~03***
8.0	57.0	50.0	35.0	360	2880	27	2.5	MK89805-1V~03***
9.0	57.0	50.0	35.0	360	3240	29	2.5	MK89905-1V~03***

900Vdc/450Vac								
C ( $\mu$ F)	W $\pm 1.0$	H $\pm 1.0$	T $\pm 1.0$	dv/dt (V/ $\mu$ s)	I <sub>peak</sub> (A)	I <sub>RMS</sub> (A)	ESR (m $\Omega$ )	产品代码 Part number
0.47	37.0	25.0	15.0	1200	564	15	5.0	MK89474-1X~01***
0.68	37.0	30.0	16.0	1200	816	16	5.0	MK89684-1X~01***
1.0	37.0	34.0	20.0	1200	1200	17	5.0	MK89105-1X~01***
1.2	37.0	34.0	20.0	1200	1440	17.5	5.0	MK89125-1X~01***
1.5	37.0	34.0	20.0	1200	1800	18	5.0	MK89155-1X~01***
1.5	42.0	40.0	20.0	750	1125	18.5	4.5	MK89155-1X~02***
2.0	42.0	40.0	20.0	750	1500	19	4.5	MK89205-1X~02***
2.2	42.0	40.0	20.0	750	1650	19.5	4.5	MK89225-1X~02***
2.5	42.0	44.0	24.0	750	1875	20	4.5	MK89255-1X~02***
3.0	42.0	44.0	24.0	750	2250	21	4.5	MK89305-1X~02***
3.3	42.0	45.0	30.0	750	2475	21.5	4.5	MK89335-1X~02***
4.0	42.0	43.0	42.0	750	3000	22	4.5	MK89405-1X~02***
4.0	57.0	45.0	30.0	450	1800	23	4.0	MK89405-1X~03***
4.7	57.0	45.0	30.0	450	2115	24.5	4.0	MK89475-1X~03***
5.0	57.0	45.0	30.0	450	2250	25	4.0	MK89505-1X~03***
6.0	57.0	50.0	35.0	450	2700	26	4.0	MK89605-1X~03***
6.5	57.0	50.0	35.0	450	2925	27	4.0	MK89655-1X~03***



◆ 产品尺寸及性能参数: Product Dimension and Characteristic Data:

1000Vdc/500Vac								
C ( $\mu$ F)	W $\pm 1.0$	H $\pm 1.0$	T $\pm 1.0$	dv/dt (V/ $\mu$ s)	I <sub>peak</sub> (A)	I <sub>RMS</sub> (A)	ESR (m $\Omega$ )	产品代码 Part number
0.47	37.0	25.0	15.0	1300	611	14	5.0	MK89474-3A~01***
0.68	37.0	30.0	16.0	1300	884	15	5.0	MK89684-3A~01***
0.82	37.0	30.0	16.0	1300	1066	16	5.0	MK89824-3A~01***
1.0	37.0	34.0	20.0	1300	1300	17	4.5	MK89105-3A~01***
1.2	37.0	34.0	20.0	1300	1560	17	4.5	MK89125-3A~01***
1.2	42.0	40.0	20.0	850	1020	16	4.5	MK89125-3A~02***
1.5	42.0	40.0	20.0	850	1275	16	4.5	MK89155-3A~02***
2.0	42.0	44.0	24.0	850	1700	17	4.5	MK89205-3A~02***
2.2	42.0	44.0	24.0	850	1870	20	4.0	MK89225-3A~02***
2.5	42.0	45.0	30.0	850	2125	21	4.0	MK89255-3A~02***
3.0	42.0	45.0	30.0	850	2550	21.5	4.0	MK89305-3A~02***
3.3	42.0	43.0	42.0	850	2805	22	4.0	MK89335-3A~02***
3.3	57.0	45.0	30.0	500	1650	20	4.0	MK89335-3A~03***
4.0	57.0	45.0	30.0	500	2000	21	4.0	MK89405-3A~03***
4.7	57.0	50.0	35.0	500	2350	22	4.0	MK89475-3A~03***
5.0	57.0	50.0	35.0	500	2500	23	4.0	MK89505-3A~03***

1250Vdc/600Vac								
C ( $\mu$ F)	W $\pm 1.0$	H $\pm 1.0$	T $\pm 1.0$	dv/dt (V/ $\mu$ s)	I <sub>peak</sub> (A)	I <sub>RMS</sub> (A)	ESR (m $\Omega$ )	产品代码 Part number
0.33	37.0	25.0	15.0	1500	495	15	4.5	MK89334-3B~01***
0.47	37.0	30.0	16.0	1500	705	16	4.5	MK89474-3B~01***
0.68	37.0	34.0	20.0	1500	1020	17	4.5	MK89684-3B~01***
0.75	37.0	34.0	20.0	1500	1125	18	4.5	MK89754-3B~01***
0.82	42.0	40.0	20.0	950	779	18	4.0	MK89824-3B~02***
1.0	42.0	40.0	20.0	950	950	19	4.0	MK89105-3B~02***
1.2	42.0	44.0	24.0	950	1140	19	4.0	MK89125-3B~02***
1.5	42.0	44.0	24.0	950	1425	19.5	4.0	MK89155-3B~02***
2.0	42.0	45.0	30.0	950	1900	20	4.0	MK89205-3B~02***
2.2	42.0	43.0	42.0	950	2090	21	4.0	MK89225-3B~02***
2.5	42.0	43.0	42.0	950	2375	22	4.0	MK89255-3B~02***
2.2	57.0	45.0	30.0	600	1320	20	3.8	MK89225-3B~03***
2.5	57.0	45.0	30.0	600	1500	21	3.8	MK89255-3B~03***
3.0	57.0	45.0	30.0	600	1800	22	3.8	MK89305-3B~03***
3.3	57.0	50.0	35.0	600	1980	23	3.8	MK89335-3B~03***
4.0	57.0	50.0	35.0	600	2400	24	3.8	MK89405-3B~03***



# MKP89

## MKP89 series

### ◆ 产品尺寸及性能参数: Product Dimension and Characteristic Data:

1600Vdc/650Vac								
C ( $\mu$ F)	W $\pm 1.0$	H $\pm 1.0$	T $\pm 1.0$	dv/dt (V/ $\mu$ s)	I <sub>peak</sub> (A)	I <sub>RMS</sub> (A)	ESR (m $\Omega$ )	产品代码 Part number
0.22	37.0	25.0	15.0	1800	396	15	6.0	MK89224-3C~01***
0.33	37.0	30.0	16.0	1800	594	15.5	6.0	MK89334-3C~01***
0.39	37.0	34.0	20.0	1800	702	16	5.5	MK89394-3C~01***
0.47	37.0	34.0	20.0	1800	846	17	5.5	MK89474-3C~01***
0.47	42.0	40.0	20.0	1200	564	17	4.0	MK89474-3C~02***
0.68	42.0	40.0	20.0	1200	816	18	4.0	MK89684-3C~02***
0.82	42.0	44.0	24.0	1200	984	19	4.0	MK89824-3C~02***
1.0	42.0	45.0	30.0	1200	1200	19.5	4.0	MK89105-3C~02***
1.2	42.0	45.0	30.0	1200	1440	20	4.0	MK89125-3C~02***
1.5	42.0	43.0	42.0	1200	1800	21	4.0	MK89155-3C~02***
1.5	57.0	45.0	30.0	750	1125	22	3.5	MK89155-3C~03***
2.0	57.0	50.0	35.0	750	1500	24	3.5	MK89205-3C~03***
2.2	57.0	50.0	35.0	750	1650	25	3.5	MK89225-3C~03***

2000Vdc/700Vac								
C ( $\mu$ F)	W $\pm 1.0$	H $\pm 1.0$	T $\pm 1.0$	dv/dt (V/ $\mu$ s)	I <sub>peak</sub> (A)	I <sub>RMS</sub> (A)	ESR (m $\Omega$ )	产品代码 Part number
0.10	37.0	25.0	15.0	2100	210	14	8.0	MK89104-3D~01***
0.15	37.0	25.0	15.0	2100	315	15	8.0	MK89154-3D~01***
0.22	37.0	30.0	16.0	2100	462	15.5	6.0	MK89224-3D~01***
0.33	37.0	34.0	20.0	2100	693	16	6.0	MK89334-3D~01***
0.47	42.0	40.0	20.0	1250	588	17	4.0	MK89474-3D~02***
0.56	42.0	44.0	24.0	1250	700	18	4.0	MK89564-3D~02***
0.68	42.0	44.0	24.0	1250	850	18.5	3.5	MK89684-3D~02***
0.82	42.0	45.0	30.0	1250	1025	19	3.5	MK89824-3D~02***
1.0	42.0	43.0	42.0	1250	1250	21	3.5	MK89105-3D~02***
1.0	57.0	45.0	30.0	850	850	24	4.0	MK89105-3D~03***
1.2	57.0	45.0	30.0	850	1020	23	4.0	MK89125-3D~03***
1.5	57.0	50.0	35.0	850	1275	24	4.0	MK89155-3D~03***

备注:

“-”: 容量偏差

“~”: 引线安装孔距 (见表 1)

“\*\*\*”: 引出端代码 (见表 2)

ESR 是在频率 100KHz 时的典型值

I<sub>RMS</sub> 值为 f=100KHz、T<sub>amb</sub>=85℃、散热条件 10W/m<sup>2</sup>/℃、 $\Delta$ T<sub>case</sub>≤15℃的最大电流有效值。

“-”= tolerance code, J=±5%, K=±10%, M=±20%

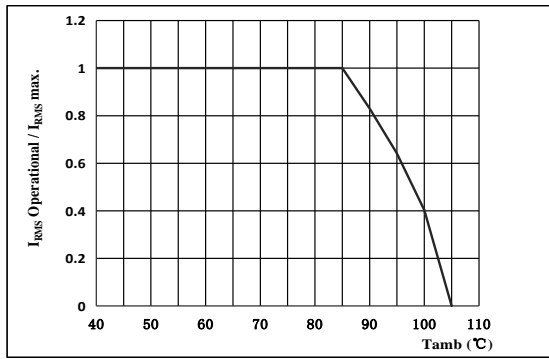
“~”= distance of hole for fixing (refer to table 1)

“\*\*\*”=Terminals code (refer to table 2)

ESR is the typical value at 100KHz.

I<sub>RMS</sub> is the maximum R.M.S current at 100KHz、T<sub>amb</sub>=85℃、 $\Delta$ T<sub>case</sub>≤15℃.(Coefficient of heat dissipation: 10W/m<sup>2</sup>/℃)

◆纹波电流降额曲线  $I_{RMS}$  Derating vs Ambient Temperature:



◆可靠性: Reliability

Test description	Reference	Test conditions	Determine criteria
极间耐压 Voltage test between terminals	IEC 61071	1.5 x U <sub>NDC</sub> at T <sub>amb</sub> Duration: 60 s	No visible damage  ΔC/C : ≤ 0.5 % tan δ: ≤ 1.2 initial tan δ + 1×10 <sup>-4</sup> at 10KHz R <sub>ins</sub> : ≥ 50% of IR limit
放电实验 Surge discharge test	IEC 61071	1.1 x U <sub>NDC</sub> Number of discharges: 5 (within 10 minutes)	No visible damage  ΔC/C : ≤ 1.0 % tan δ: ≤ 1.2 initial tan δ + 1×10 <sup>-4</sup> at 10KHz R <sub>ins</sub> : ≥ 50% of IR limit
温度变化 Change of temperature	IEC 60068-2-14	T <sub>max.</sub> = 85 °C / T <sub>min.</sub> = - 40 °C Transition time: 1 h, equivalent to 1°C/min 5 cycles	No visible damage  ΔC/C : ≤ 2.0 % Increase of tan δ: ≤ 20 × 10 <sup>-4</sup> at 10KHz R <sub>ins</sub> : ≥ 50% of IR limit
耐湿性 Damp heat steady	IEC 60068-2-78	T <sub>max.</sub> = 40 °C RH = 93 % Duration 56 days	No visible damage  ΔC/C : ≤ 3.0 % Increase of tan δ: ≤ 20 × 10 <sup>-4</sup> at 10KHz R <sub>ins</sub> : ≥ 50% of IR limit
耐湿负荷 Biased humidity	AEC-Q200	T = 40 °C RH = 93% at U <sub>NDC</sub> Duration: 1000h (No dew in epoxy surface)	NO visible damage  ΔC/C : ≤ 5 %  Δtan δ / tan δ : ≤ 200% at 10KHz R <sub>ins</sub> : ≥ 200M Ω
		T = 60 °C RH = 93% at U <sub>NDC</sub> Duration: 1000h (No dew in epoxy surface)	NO visible damage  ΔC/C : ≤ 5 %  Δtan δ / tan δ : ≤ 200% at 10KHz R <sub>ins</sub> : ≥ 200M Ω
耐久性 Endurance	IEC 61071	1.3 × U <sub>NDC</sub> at T <sub>max.</sub> = 85 °C Duration 500 h 1000 × discharge at 1.4 × I (repetitive peak current in continuous operation) 1.3× U <sub>NDC</sub> at T <sub>max.</sub> = 85 °C Duration 500 h.	No visible damage  ΔC/C : ≤ 3 % Increase of tan δ : ≤ 20×10 <sup>-4</sup> at 10KHz R <sub>ins</sub> : ≥ 50% of IR limit
振动 Vibration	IEC 60068	f=10 Hz to 55 Hz a=±0.35mm Test duration per axis = 10 frequency cycles (3 axes offset from each other by 90°) 1 octave/min, the total times are 135 min for 3axes	No visible damage



MKP89B  
MKP89B series

## MKP89B 型 IGBT 吸收电容器(PCB)

### MKP89B Type Snubber Capacitor for IGBT

< 60°C/93%RH /1000h /U<sub>NDC</sub> >

#### ◆ 外形尺寸图及产品结构 Outline Drawing and Capacitor Construction

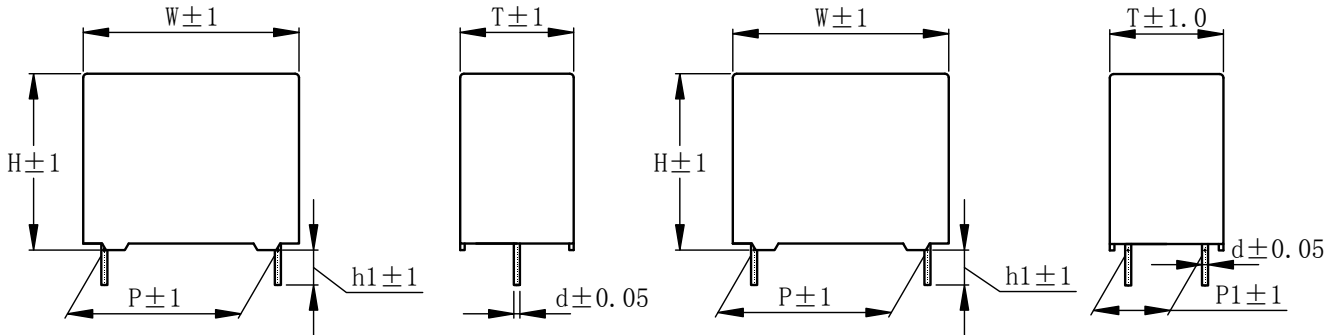


图 1: 2Pins

图 2: 4Pins

#### ◆ 特点及用途 Application and Feature

自感小，内部温升小，广泛应用于高压高频脉冲电路，适合作为 IGBT 吸收电容。

Low inductance and small inherent temperature rise, Widely used in high voltage, high frequency circuit, especially designed as snubber capacitor for IGBT.

#### ◆ 技术要求 Specifications

参照标准 Reference Standard	GB/T 17702、IEC 61071
气候类别 Climatic Category	40/85/56
额定电压 Rated Voltage	700Vdc/420Vac、900Vdc/450Vac、1000Vdc/500Vac、 1250Vdc/600Vac、1600Vdc/650Vac、2000Vdc/700Vac 2500Vdc/725Vac、3000Vdc/750Vac、
工作温度范围(热点) Operation Temperature Range (Hot Spot)	-40°C~110°C (+85°C~+110°C: 1.25%/°C of U <sub>OP</sub> derating compared to U <sub>NDC</sub> at 85°C)
电容量 Capacitance Range	0.047μF~9.0μF
电容量偏差 Capacitance Tolerance	±5%(J)、±10%(K) (20°C, 1kHz)
耐电压 Voltage Proof	U=1.5U <sub>NDC</sub> (20°C, 10s)
绝缘电阻 Insulation Resistance	C <sub>R</sub> ≤0.33μF, IR≥100 000MΩ C <sub>R</sub> >0.33μF, IR×C≥30 000s (20°C, 100V, 1min)
损耗角正切 Dissipation Factor	1kHz: Tan δ≤0.0005
工作寿命 Operation Life Time	100 000 hours at U <sub>NDC</sub> , T <sub>Hotspot</sub> =70°C

#### ◆ 安全认证 Safety Approvals

	UL-CUL (美国/加拿大)	UL810, CSA C22.2 No. 190, (construction only) 证书号 (File No.) :E477437
--	--------------------	--

◆ 产品代码编写说明: Part number code system

16 位产品代码如下: The 16 digits part number is formed as follow:

1 2 3 4 5 6 7 8 9 10 11 12 13 14 15 16

C	8	9	B												
---	---	---	---	--	--	--	--	--	--	--	--	--	--	--	--

第 1~4 位	薄膜电容器系列代码 C89B=MKP89B	Digit 1~4	Series code of film capacitor C89B=MKP89B
第 5~7 位	标称容量代码 举例: 104=10×10 <sup>4</sup> pF=0.1μF	Digit 5~7	Rated capacitance value code For example: 104=10×10 <sup>4</sup> pF=0.1μF
第 8 位	容量等级代码 J=±5% K=±10% M=±20%	Digit 8	Capacitance tolerance code J=±5% K=±10% M=±20%
第 9~10 位	直流额定电压代码 1V=700V 1X=900V 3A=1000V 3B=1250V 3C=1600V 3D=2000V 3E=2500V 3F=3000V	Digit 9~10	DC rated voltage code 1V=700V 1X=900V 3A=1000V 3B=1250V 3C=1600V 3D=2000V 3E=2500V 3F=3000V
第 11 位	引线间距 D=32.5mm E=37.5mm G=52.5mm	Digit 11	Pitch D=32.5mm E=37.5mm G=52.5mm
第 12 位	内部特征码	Digit 12	Internal use
第 13~16 位	引出端代码 见表 1	Digit 13~16	Terminals code Referring to table 1
表 1	引线形式代码	Table 1	Lead form code

第13位 Digit13		第14~15位 Digit14~Digit15		第 16 位 Digit16	
引线形式及P1 Lead form and pitch P1		引线长度 Lead length		引线长度偏差 Length tolerance	
代码 Code	说明 explanation	代码 Code	说明 explanation	代码 Code	说明 explanation
0	2Pins P1=0mm	00	标准引线长度5.5mm standard lead length 5.5mm	0	引线长度偏差±1.0mm Length tolerance±1.0mm
1	4Pins P1=5.1mm				
2	4Pins P1=10.2mm				
3	4Pins P1=12.7mm				
4	4Pins P1=15.2mm				
5	4Pins P1=20.3mm				



# MKP89B

MKP89B series

◆ 产品尺寸及性能参数: Product Dimension and Characteristic Data:

700Vdc/420Vac											
C ( $\mu$ F)	W	H	T	P	P1	d	dv/dt (V/ $\mu$ s)	I <sub>peak</sub> (A)	I <sub>RMS</sub> (A)	ESR (m $\Omega$ )	产品代码 Part number
0.68	37.0	25.0	15.0	32.5	-	1.2	900	612	11	6.0	C89B684-1VD00***
0.68	37.0	25.0	15.0	32.5	5.1	1.0	900	612	13	5.0	C89B684-1VD01***
0.82	37.0	25.0	15.0	32.5	-	1.2	900	738	11.5	6.0	C89B824-1VD00***
0.82	37.0	25.0	15.0	32.5	5.1	1.0	900	738	13.5	5.0	C89B824-1VD01***
1.0	37.0	30.0	16.0	32.5	-	1.2	900	900	12	6.0	C89B105-1VD00***
1.0	37.0	30.0	16.0	32.5	5.1	1.0	900	900	14	5.0	C89B105-1VD01***
1.2	37.0	30.0	16.0	32.5	-	1.2	900	1080	14	5.5	C89B125-1VD00***
1.2	37.0	30.0	16.0	32.5	5.1	1.0	900	1080	16	4.5	C89B125-1VD01***
1.5	37.0	34.0	20.0	32.5	-	1.2	900	1350	14	5.5	C89B155-1VD00***
1.5	37.0	34.0	20.0	32.5	10.2	1.0	900	1350	17	4.5	C89B155-1VD02***
1.8	37.0	34.0	20.0	32.5	-	1.2	900	1620	14	5.5	C89B185-1VD00***
1.8	37.0	34.0	20.0	32.5	10.2	1.0	900	1620	18	4.5	C89B185-1VD02***
2.0	42.0	40.0	20.0	37.5	-	1.2	600	1200	14	5.0	C89B205-1VE00***
2.0	42.0	40.0	20.0	37.5	10.2	1.2	600	1200	18	4.0	C89B205-1VE02***
2.2	42.0	40.0	20.0	37.5	-	1.2	600	1320	14	5.0	C89B225-1VE00***
2.2	42.0	40.0	20.0	37.5	10.2	1.2	600	1320	18.5	4.0	C89B225-1VE02***
2.5	42.0	40.0	20.0	37.5	-	1.2	600	1500	14	5.0	C89B255-1VE00***
2.5	42.0	40.0	20.0	37.5	10.2	1.2	600	1500	19	4.0	C89B255-1VE02***
3.0	42.0	44.0	24.0	37.5	-	1.2	600	1800	14	5.0	C89B305-1VE00***
3.0	42.0	44.0	24.0	37.5	12.7	1.2	600	1800	20	4.0	C89B305-1VE03***
3.3	42.0	44.0	24.0	37.5	-	1.2	600	1980	14	4.5	C89B335-1VE00***
3.3	42.0	44.0	24.0	37.5	12.7	1.2	600	1980	20	3.5	C89B335-1VE03***
4.0	42.0	44.0	24.0	37.5	-	1.2	600	2400	14	4.5	C89B405-1VE00***
4.0	42.0	44.0	24.0	37.5	12.7	1.2	600	2400	21	3.5	C89B405-1VE03***
4.7	42.0	45.0	30.0	37.5	20.3	1.2	600	2820	23	3.5	C89B475-1VE05***
5.0	42.0	45.0	30.0	37.5	20.3	1.2	600	3000	23.5	3.0	C89B505-1VE05***
6.0	42.0	50.0	35.0	37.5	20.3	1.2	600	3600	25	3.0	C89B605-1VE05***
6.5	42.0	50.0	35.0	37.5	20.3	1.2	600	3900	26	3.0	C89B655-1VE05***
6.5	57.0	45.0	30.0	52.5	20.3	1.2	360	2340	24	2.5	C89B655-1VG05***
7.0	57.0	45.0	30.0	52.5	20.3	1.2	360	2520	25	2.5	C89B705-1VG05***
8.0	57.0	50.0	35.0	52.5	20.3	1.2	360	2880	27	2.5	C89B805-1VG05***
9.0	57.0	50.0	35.0	52.5	20.3	1.2	360	3240	28	2.5	C89B905-1VG05***

◆ 产品尺寸及性能参数: Product Dimension and Characteristic Data:

900Vdc/450Vac											
C (μF)	W	H	T	P	P1	d	dv/dt (V/μs)	I <sub>peak</sub> (A)	I <sub>RMS</sub> (A)	ESR (mΩ)	产品代码 Part number
0.47	37.0	25.0	15.0	32.5	-	1.2	1200	564	13	6.0	C89B474-1XD00***
0.47	37.0	25.0	15.0	32.5	5.1	1.0	1200	564	15	5.0	C89B474-1XD01***
0.68	37.0	30.0	16.0	32.5	-	1.2	1200	816	14	6.0	C89B684-1XD00***
0.68	37.0	30.0	16.0	32.5	5.1	1.0	1200	816	16	5.0	C89B684-1XD01***
0.82	37.0	30.0	16.0	32.5	-	1.2	1200	1200	14	6.0	C89B824-1XD00***
0.82	37.0	30.0	16.0	32.5	5.1	1.0	1200	1200	17	5.0	C89B824-1XD01***
1.0	37.0	34.0	20.0	32.5	-	1.2	1200	1440	14	6.0	C89B105-1XD00***
1.0	37.0	34.0	20.0	32.5	10.2	1.0	1200	1440	17.5	5.0	C89B105-1XD02***
1.2	37.0	34.0	20.0	32.5	-	1.2	1200	1800	14	6.0	C89B125-1XD00***
1.2	37.0	34.0	20.0	32.5	10.2	1.0	1200	1800	18	5.0	C89B125-1XD02***
1.5	42.0	40.0	20.0	37.5	-	1.2	750	1125	14	5.5	C89B155-1XE00***
1.5	42.0	40.0	20.0	37.5	10.2	1.2	750	1125	18.5	4.5	C89B155-1XE02***
2.0	42.0	40.0	20.0	37.5	-	1.2	750	1500	14	5.5	C89B205-1XE00***
2.0	42.0	40.0	20.0	37.5	10.2	1.2	750	1500	19	4.5	C89B205-1XE02***
2.2	42.0	40.0	20.0	37.5	-	1.2	750	1650	14	5.5	C89B225-1XE00***
2.2	42.0	40.0	20.0	37.5	10.2	1.2	750	1650	19.5	4.5	C89B225-1XE02***
2.5	42.0	44.0	24.0	37.5	-	1.2	750	1875	14	5.5	C89B255-1XE00***
2.5	42.0	44.0	24.0	37.5	12.7	1.2	750	1875	20	4.5	C89B255-1XE03***
3.0	42.0	44.0	24.0	37.5	-	1.2	750	2250	14	5.5	C89B305-1XE00***
3.0	42.0	44.0	24.0	37.5	12.7	1.2	750	2250	21	4.5	C89B305-1XE03***
3.3	42.0	45.0	30.0	37.5	20.3	1.2	750	2475	21.5	4.5	C89B335-1XE05***
4.0	42.0	43.0	42.0	37.5	20.3	1.2	750	3000	22	4.5	C89B405-1XE05***
4.0	57.0	45.0	30.0	52.5	20.3	1.2	450	1800	23	4.0	C89B405-1XG05***
4.7	57.0	45.0	30.0	52.5	20.3	1.2	450	2115	24.5	4.0	C89B475-1XG05***
5.0	57.0	45.0	30.0	52.5	20.3	1.2	450	2250	25	4.0	C89B505-1XG05***
6.0	57.0	50.0	35.0	52.5	20.3	1.2	450	2700	26	4.0	C89B605-1XG05***
6.5	57.0	50.0	35.0	52.5	20.3	1.2	450	2925	27	4.0	C89B655-1XG05***

1000Vdc/500Vac											
C (μF)	W	H	T	P	P1	d	dv/dt (V/μs)	I <sub>peak</sub> (A)	I <sub>RMS</sub> (A)	ESR (mΩ)	产品代码 Part number
0.47	37.0	25.0	15.0	32.5	-	1.2	1300	611	12	6.0	C89B474-3AD00***
0.47	37.0	25.0	15.0	32.5	5.1	1.0	1300	611	14	5.0	C89B474-3AD01***
0.68	37.0	30.0	16.0	32.5	-	1.2	1300	884	13	6.0	C89B684-3AD00***
0.68	37.0	30.0	16.0	32.5	5.1	1.0	1300	884	15	5.0	C89B684-3AD01***
0.82	37.0	30.0	16.0	32.5	-	1.2	1300	1066	14	6.0	C89B824-3AD00***
0.82	37.0	30.0	16.0	32.5	5.1	1.0	1300	1066	16	5.0	C89B824-3AD01***
1.0	37.0	34.0	20.0	32.5	-	1.2	1300	1300	14	5.5	C89B105-3AD00***
1.0	37.0	34.0	20.0	32.5	10.2	1.0	1300	1300	17	4.5	C89B105-3AD02***
1.2	37.0	34.0	20.0	32.5	-	1.2	1300	1560	14	5.5	C89B125-3AD00***
1.2	37.0	34.0	20.0	32.5	10.2	1.0	1300	1560	17	4.5	C89B125-3AD02***
1.2	42.0	40.0	20.0	37.5	-	1.2	850	1020	14	5.5	C89B125-3AE00***
1.2	42.0	40.0	20.0	37.5	10.2	1.2	850	1020	16	4.5	C89B125-3AE02***
1.5	42.0	40.0	20.0	37.5	-	1.2	850	1275	14	5.5	C89B155-3AE00***
1.5	42.0	40.0	20.0	37.5	10.2	1.2	850	1275	16	4.5	C89B155-3AE02***
2.0	42.0	44.0	24.0	37.5	-	1.2	850	1700	14	5.5	C89B205-3AE00***
2.0	42.0	44.0	24.0	37.5	12.7	1.2	850	1700	17	4.5	C89B205-3AE03***
2.2	42.0	44.0	24.0	37.5	-	1.2	850	1870	14	5.0	C89B225-3AE00***
2.2	42.0	44.0	24.0	37.5	12.7	1.2	850	1870	20	4.0	C89B225-3AE03***
2.5	42.0	45.0	30.0	37.5	20.3	1.2	850	2125	21	4.0	C89B255-3AE05***
3.0	42.0	45.0	30.0	37.5	20.3	1.2	850	2550	21.5	4.0	C89B305-3AE05***
3.3	42.0	43.0	42.0	37.5	20.3	1.2	850	2805	22	4.0	C89B335-3AE05***
3.3	57.0	45.0	30.0	52.5	20.3	1.2	500	1650	20	4.0	C89B335-3AG05***
4.0	57.0	45.0	30.0	52.5	20.3	1.2	500	2000	21	4.0	C89B405-3AG05***
4.7	57.0	50.0	35.0	52.5	20.3	1.2	500	2350	22	4.0	C89B475-3AG05***
5.0	57.0	50.0	35.0	52.5	20.3	1.2	500	2500	23	4.0	C89B505-3AG05***





# MKP89B

MKP89B series

◆ 产品尺寸及性能参数: Product Dimension and Characteristic Data:

1250Vdc/600Vac											
C (μF)	W	H	T	P	P1	d	dv/dt (V/μs)	I <sub>peak</sub> (A)	I <sub>RMS</sub> (A)	ESR (mΩ)	产品代码 Part number
0.33	37.0	25.0	15.0	32.5	-	1.2	1500	495	11	6.5	C89B334-3BD00***
0.33	37.0	25.0	15.0	32.5	5.1	1.0	1500	495	13	5.5	C89B334-3BD01***
0.47	37.0	30.0	16.0	32.5	-	1.2	1500	705	12	6.5	C89B474-3BD00***
0.47	37.0	30.0	16.0	32.5	5.1	1.0	1500	705	14	5.5	C89B474-3BD01***
0.68	37.0	34.0	20.0	32.5	-	1.2	1500	1020	13	6.0	C89B684-3BD00***
0.68	37.0	34.0	20.0	32.5	10.2	1.0	1500	1020	15	5.0	C89B684-3BD02***
0.75	37.0	34.0	20.0	32.5	-	1.2	1500	1125	15	6.0	C89B754-3BD00***
0.75	37.0	34.0	20.0	32.5	10.2	1.0	1500	1125	17	5.0	C89B754-3BD02***
0.47	42.0	40.0	20.0	37.5	-	1.2	950	447	13	6.0	C89B474-3BE00***
0.47	42.0	40.0	20.0	37.5	10.2	1.2	950	447	15	5.0	C89B474-3BE02***
0.68	42.0	40.0	20.0	37.5	-	1.2	950	646	14	6.0	C89B684-3BE00***
0.68	42.0	40.0	20.0	37.5	10.2	1.2	950	646	17	5.0	C89B684-3BE02***
0.82	42.0	40.0	20.0	37.5	-	1.2	950	779	14	6.0	C89B824-3BE00***
0.82	42.0	40.0	20.0	37.5	10.2	1.2	950	779	17	5.0	C89B824-3BE02***
1.0	42.0	40.0	20.0	37.5	-	1.2	950	950	14	6.0	C89B105-3BE00***
1.0	42.0	40.0	20.0	37.5	10.2	1.2	950	950	17	5.0	C89B105-3BE02***
1.2	42.0	44.0	24.0	37.5	-	1.2	950	1140	14	5.5	C89B125-3BE00***
1.2	42.0	44.0	24.0	37.5	12.7	1.2	950	1140	17.5	4.5	C89B125-3BE03***
1.5	42.0	44.0	24.0	37.5	-	1.2	950	1425	14	5.5	C89B155-3BE00***
1.5	42.0	44.0	24.0	37.5	12.7	1.2	950	1425	17.5	4.5	C89B155-3BE03***
2.0	42.0	45.0	30.0	37.5	20.3	1.2	950	1900	18	4.5	C89B205-3BE05***
2.2	42.0	43.0	42.0	37.5	20.3	1.2	950	2090	19	4.5	C89B225-3BE05***
2.5	42.0	43.0	42.0	37.5	20.3	1.2	950	2375	20	4.5	C89B255-3BE05***
2.2	57.0	45.0	30.0	52.5	20.3	1.2	600	1320	19	4.0	C89B225-3BG05***
2.5	57.0	45.0	30.0	52.5	20.3	1.2	600	1500	20	4.0	C89B255-3BG05***
3.0	57.0	50.0	35.0	52.5	20.3	1.2	600	1800	21	4.0	C89B305-3BG05***
3.3	57.0	50.0	35.0	52.5	20.3	1.2	600	1980	22	4.0	C89B335-3BG05***
4.0	57.0	50.0	35.0	52.5	20.3	1.2	600	2400	23	4.0	C89B405-3BG05***

1600Vdc/650Vac											
C (μF)	W	H	T	P	P1	d	dv/dt (V/μs)	I <sub>peak</sub> (A)	I <sub>RMS</sub> (A)	ESR (mΩ)	产品代码 Part number
0.22	37.0	25.0	15.0	32.5	-	1.2	1800	396	11	7.5	C89B224-3CD00***
0.22	37.0	25.0	15.0	32.5	5.1	1.0	1800	396	13	6.5	C89B224-3CD01***
0.33	37.0	30.0	16.0	32.5	-	1.2	1800	594	11.5	7.5	C89B334-3CD00***
0.33	37.0	30.0	16.0	32.5	5.1	1.0	1800	594	13.5	6.5	C89B334-3CD01***
0.39	37.0	34.0	20.0	32.5	-	1.2	1800	702	12	7.0	C89B394-3CD00***
0.39	37.0	34.0	20.0	32.5	10.2	1.0	1800	702	14	6.0	C89B394-3CD02***
0.47	37.0	34.0	20.0	32.5	-	1.2	1800	846	13	7.0	C89B474-3CD00***
0.47	37.0	34.0	20.0	32.5	10.2	1.0	1800	846	15	6.0	C89B474-3CD02***
0.47	42.0	40.0	20.0	37.5	-	1.2	1200	564	13	6.0	C89B474-3CE00***
0.47	42.0	40.0	20.0	37.5	10.2	1.2	1200	564	15	5.0	C89B474-3CE02***
0.68	42.0	40.0	20.0	37.5	-	1.2	1200	816	14	6.0	C89B684-3CE00***
0.68	42.0	40.0	20.0	37.5	10.2	1.2	1200	816	16	5.0	C89B684-3CE02***
0.82	42.0	44.0	24.0	37.5	-	1.2	1200	984	14	5.0	C89B824-3CE00***
0.82	42.0	44.0	24.0	37.5	12.7	1.2	1200	984	17	4.0	C89B824-3CE03***
1.0	42.0	45.0	30.0	37.5	20.3	1.2	1200	1200	17.5	4.0	C89B105-3CE05***
1.2	42.0	45.0	30.0	37.5	20.3	1.2	1200	1440	18	4.0	C89B125-3CE05***
1.5	42.0	43.0	42.0	37.5	20.3	1.2	1200	1800	19	4.0	C89B155-3CE05***
1.5	57.0	45.0	30.0	52.5	20.3	1.2	750	1125	20	4.0	C89B155-3CG05***
2.0	57.0	50.0	35.0	52.5	20.3	1.2	750	1500	22	4.0	C89B205-3CG05***
2.2	57.0	50.0	35.0	52.5	20.3	1.2	750	1650	23	4.0	C89B225-3CG05***

◆ 产品尺寸及性能参数: Product Dimension and Characteristic Data:

2000Vdc/700Vac											
C ( $\mu$ F)	W	H	T	P	P1	d	dv/dt (v/ $\mu$ s)	I <sub>peak</sub> (A)	I <sub>RMS</sub> (A)	ESR (m $\Omega$ )	产品代码 Part number
0.10	37.0	25.0	15.0	32.5	-	1.2	2100	210	10	9.5	C89B104-3DD00***
0.10	37.0	25.0	15.0	32.5	5.1	1.0	2100	210	12	8.5	C89B104-3DD01***
0.15	37.0	25.0	15.0	32.5	-	1.2	2100	315	11	9.5	C89B154-3DD00***
0.15	37.0	25.0	15.0	32.5	5.1	1.0	2100	315	13	8.5	C89B154-3DD01***
0.22	37.0	30.0	16.0	32.5	-	1.2	2100	462	11.5	8.0	C89B224-3DD00***
0.22	37.0	30.0	16.0	32.5	5.1	1.0	2100	462	13.5	7.0	C89B224-3DD01***
0.33	37.0	34.0	20.0	32.5	-	1.2	2100	693	12	7.5	C89B334-3DD00***
0.33	37.0	34.0	20.0	32.5	10.2	1.0	2100	693	14	6.5	C89B334-3DD02***
0.47	42.0	40.0	20.0	37.5	-	1.2	1250	588	13	6.0	C89B474-3DE00***
0.47	42.0	40.0	20.0	37.5	10.2	1.2	1250	588	15	5.0	C89B474-3DE02***
0.56	42.0	44.0	24.0	37.5	-	1.2	1250	700	14	6.0	C89B564-3DE00***
0.56	42.0	44.0	24.0	37.5	12.7	1.2	1250	700	16	5.0	C89B564-3DE03***
0.68	42.0	44.0	24.0	37.5	-	1.2	1250	850	14	5.5	C89B684-3DE00***
0.68	42.0	44.0	24.0	37.5	12.7	1.2	1250	850	16.5	4.5	C89B684-3DE03***
0.82	42.0	45.0	30.0	37.5	20.3	1.2	1250	1025	17	4.5	C89B824-3DE05***
1.0	42.0	43.0	42.0	37.5	20.3	1.2	1250	1250	19	4.5	C89B105-3DE05***
1.2	42.0	43.0	42.0	37.5	20.3	1.2	1250	1500	20	4.0	C89B125-3DE05***
1.0	57.0	45.0	30.0	52.5	20.3	1.2	850	850	20	4.5	C89B105-3DG05***
1.2	57.0	45.0	30.0	52.5	20.3	1.2	850	1020	21	4.5	C89B125-3DG05***
1.5	57.0	50.0	35.0	52.5	20.3	1.2	850	1275	22	4.5	C89B155-3DG05***

2500Vdc/725Vac											
C ( $\mu$ F)	W	H	T	P	P1	d	dv/dt (V/ $\mu$ s)	I <sub>peak</sub> (A)	I <sub>RMS</sub> (A)	ESR (m $\Omega$ )	产品代码 Part number
0.068	37.0	25.0	15.0	32.5	-	1.2	3230	220	10	10.0	C89B683-3ED00***
0.068	37.0	25.0	15.0	32.5	5.1	1.0	3230	220	12	9.0	C89B683-3ED01***
0.10	37.0	30.0	16.0	32.5	-	1.2	3230	323	11	10.0	C89B104-3ED00***
0.10	37.0	30.0	16.0	32.5	5.1	1.0	3230	323	13	9.0	C89B104-3ED01***
0.15	37.0	34.0	20.0	32.5	-	1.2	3230	485	12	9.5	C89B154-3ED00***
0.15	37.0	34.0	20.0	32.5	10.2	1.0	3230	485	14	8.5	C89B154-3ED02***
0.18	37.0	34.0	20.0	32.5	-	1.2	3230	581	13	9.0	C89B184-3ED00***
0.18	37.0	34.0	20.0	32.5	10.2	1.0	3230	581	15	8.0	C89B184-3ED02***
0.22	42.0	40.0	20.0	37.5	-	1.2	2100	462	13	5.5	C89B224-3EE00***
0.22	42.0	40.0	20.0	37.5	10.2	1.2	2100	462	15	4.5	C89B224-3EE02***
0.33	42.0	44.0	24.0	37.5	-	1.2	2100	693	13	5.5	C89B334-3EE00***
0.33	42.0	44.0	24.0	37.5	12.7	1.2	2100	693	15.2	4.5	C89B334-3EE03***
0.47	42.0	45.0	30.0	37.5	20.3	1.2	2100	987	16	4.0	C89B474-3EE05***
0.68	42.0	43.0	42.0	37.5	20.3	1.2	2100	1428	16.5	4.0	C89B684-3EE05***
0.68	57.0	43.5	29.5	52.5	20.3	1.2	1200	816	17	4.0	C89B684-3EG05***
1.0	57.0	50.0	35.0	52.5	20.3	1.2	1200	1200	17.5	4.0	C89B105-3EG05***



# MKP89B

## MKP89B series

### ◆ 产品尺寸及性能参数: Product Dimension and Characteristic Data:

3000Vdc/750Vac											
C (μF)	W	H	T	P	P1	d	dv/dt (V/μs)	I <sub>peak</sub> (A)	I <sub>RMS</sub> (A)	ESR (mΩ)	产品代码 Part number
0.047	37.0	25.0	15.0	32.5	-	1.2	3361	158	9	10.5	C89B473-3FD00***
0.047	37.0	25.0	15.0	32.5	5.1	1.0	3361	158	11	9.5	C89B473-3FD01***
0.068	37.0	30.0	16.0	32.5	-	1.2	3361	229	10	10.0	C89B683-3FD00***
0.068	37.0	30.0	16.0	32.5	5.1	1.0	3361	229	12	9.0	C89B683-3FD01***
0.10	37.0	34.0	20.0	32.5	-	1.2	3361	336	11	9.5	C89B104-3FD00***
0.10	37.0	34.0	20.0	32.5	10.2	1.0	3361	336	13	8.5	C89B104-3FD02***
0.15	37.0	34.0	20.0	32.5	-	1.2	3361	504	11.5	9.0	C89B154-3FD00***
0.15	37.0	34.0	20.0	32.5	10.2	1.0	3361	504	13.5	8.0	C89B154-3FD02***
0.22	42.0	40.0	20.0	37.5	-	1.2	2050	451	12	7.0	C89B224-3FE00***
0.22	42.0	40.0	20.0	37.5	10.2	1.2	2050	451	14	6.0	C89B224-3FE02***
0.33	42.0	45.0	30.0	37.5	20.3	1.2	2050	677	14.5	5.5	C89B334-3FE05***
0.47	42.0	43.0	42.0	37.5	20.3	1.2	2050	964	16	5.0	C89B474-3FE05***
0.47	57.0	43.5	29.5	52.5	20.3	1.2	1200	564	16.5	5.0	C89B474-3FG05***
0.68	57.0	50.0	35.0	52.5	20.3	1.2	1200	816	17	5.0	C89B684-3FG05***
0.82	57.0	50.0	35.0	52.5	20.3	1.2	1200	984	18	4.5	C89B824-3FG05***

备注:

“-”: 容量偏差;

“\*\*\*”: 引出端代码 (见表 1);

ESR 值为 f=100KHz 下的典型值;

I<sub>RMS</sub> 值为 f=100KHz、T<sub>amb</sub>=85°C、散热条件 10W/m<sup>2</sup>/°C、  
ΔT<sub>case</sub>≤15°C 的最大电流有效值.

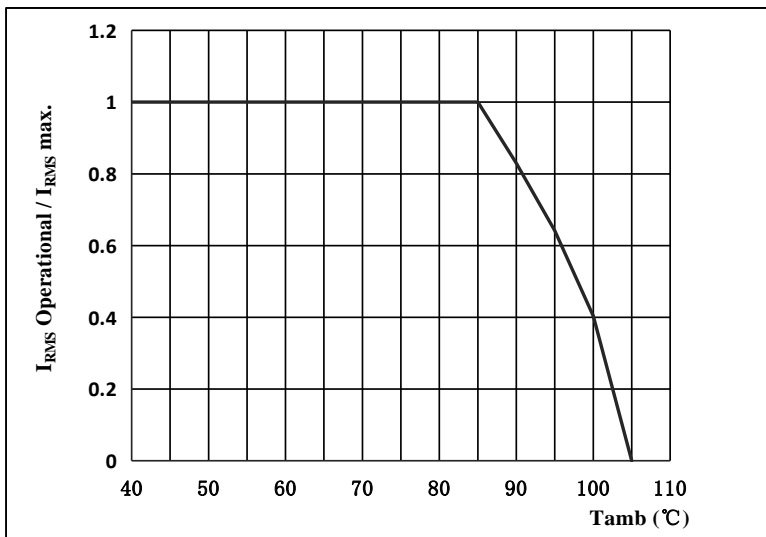
“-”= tolerance code, J=±5%, K=±10%, M=±20%;

“\*\*\*”=Terminals code ( refer to table 1);

ESR typical values at 100KHz;

I<sub>RMS</sub> is the maximum R.M.S current at 100KHz、T<sub>amb</sub>=85°C、  
ΔT<sub>case</sub>≤15°C.( Coefficient of heat dissipation: 10W/m<sup>2</sup>/°C)

### ◆ 纹波电流降额曲线 I<sub>RMS</sub> Derating vs Ambient Temperature:



◆可靠性: Reliability

Test description	Reference	Test conditions	Determine criteria
极间耐压 Voltage test between terminals	IEC 61071	1.5 x U <sub>NDC</sub> at Tamb Duration: 60 s	No visible damage  ΔC/C : ≤0.5% tan δ : ≤1.2 initial tan δ+1×10 <sup>-4</sup> at 10KHz R <sub>ins</sub> : ≥ 50% of IR limit
耐焊接热 Resistance to soldering heat	IEC 60068-2-20	Solder bath temperature at 260°C±5°C, Immersion time: 10s±1s	No visible damage  ΔC/C : ≤ 0.5 % Increase of tan δ: ≤ 50 ×10 <sup>-4</sup> at 10KHz
引出端强度 Robustness of terminations	IEC 60068-2-21	Wire diameter & Tensile force	No visible damage
		0.5 < d <sub>l</sub> ≤0.8 mm      10N	
		0.8 < d <sub>l</sub> ≤1.25 mm      20N	
放电实验 Surge discharge test	IEC 61071	1.1 x U <sub>NDC</sub> Number of discharges: 5(within 10 minutes)	No visible damage  ΔC/C : ≤ 1.0 % tan δ: ≤ 1.2 initial tan δ+1×10 <sup>-4</sup> at 10KHz R <sub>ins</sub> : ≥ 50% of IR limit
温度变化 Change of temperature	IEC 60068-2-14	Tmax. =85 °C Tmin. = - 40 °C Transition time: 1 h, equivalent to 1°C/min 5 cycles	No visible damage  ΔC/C : ≤ 2.0 % Increase of tan δ: ≤ 20 ×10 <sup>-4</sup> at 10KHz R <sub>ins</sub> : ≥ 50% of IR limit
耐湿性 Damp heat steady	IEC 60068-2-78	Tmax. = 40 °C RH = 93 % Duration 56 days	No visible damage  ΔC/C : ≤ 3.0 % Increase of tan δ: ≤ 20 ×10 <sup>-4</sup> at 10KHz R <sub>ins</sub> : ≥ 50% of IR limit
耐湿负荷 Biased humidity	AEC-Q200	T =40 °C RH = 93 % at U <sub>NDC</sub> Duration: 1000h	NO visible damage  ΔC/C : ≤ 5 %  Δtan δ / tan δ : ≤ 200% at 10KHz R <sub>ins</sub> : ≥ 200MΩ
		T =60 °C RH = 95 % at U <sub>NDC</sub> Duration: 1000h	NO visible damage  ΔC/C : ≤ 5 %  Δtan δ / tan δ : ≤ 200% at 10KHz R <sub>ins</sub> : ≥ 200MΩ
耐久性 Endurance	IEC 61071	1.3 ×U <sub>NDC</sub> at Tmax. = 85 °C Duration 500 h 1000 × discharge at 1.4 × I (repetitive peak current in continuous operation) 1.3×U <sub>NDC</sub> at Tmax. = 85 °C Duration 500 h	No visible damage  ΔC/C : ≤ 3 % Increase of tan δ: ≤ 20×10 <sup>-4</sup> at 10KHz R <sub>ins</sub> : ≥ 50% of IR limit
振动 Vibration	IEC 60068	f=10 Hz to 55 Hz, a=±0.35mm. Test duration per axis = 10 frequency cycles (3 axes offset from each other by 90°) 1 octave/min, the total times are 135 min for 3axes	No visible damage



MKP86

中星 MKP86 series

## MKP86 型干式直流滤波电容器（定制品）

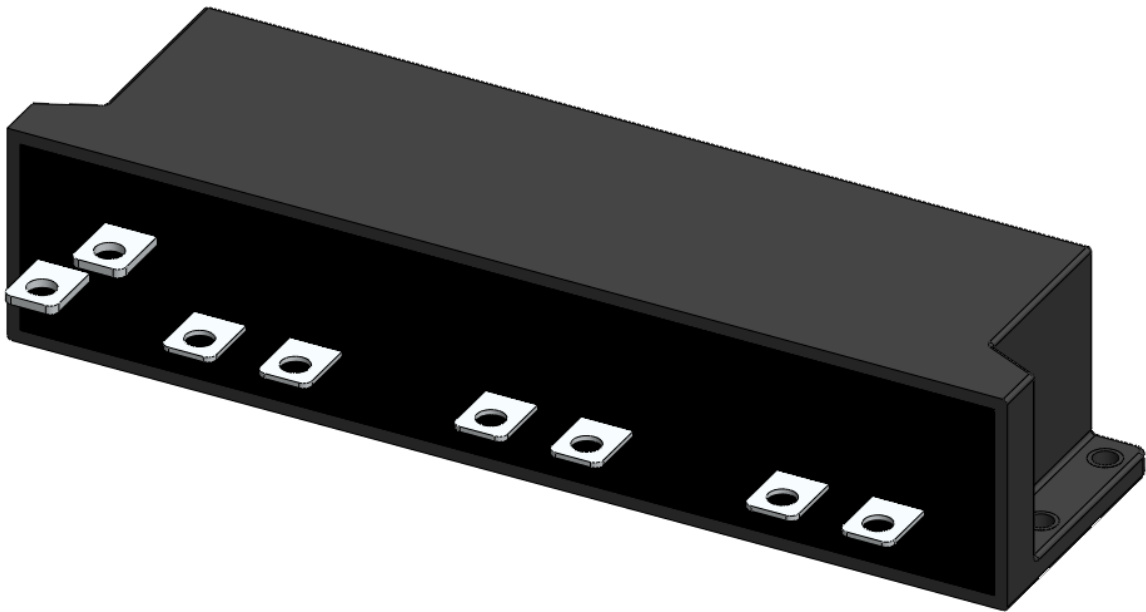
## MKP86 Type DC-Link Capacitor (Customized Products)

### ◆ 特点及用途 Application and Feature

自感小，等效串联电阻小，能承受较大的纹波电流，可用于 DC-Link 直流滤波电路当中或混合动力汽车和电动汽车当中。

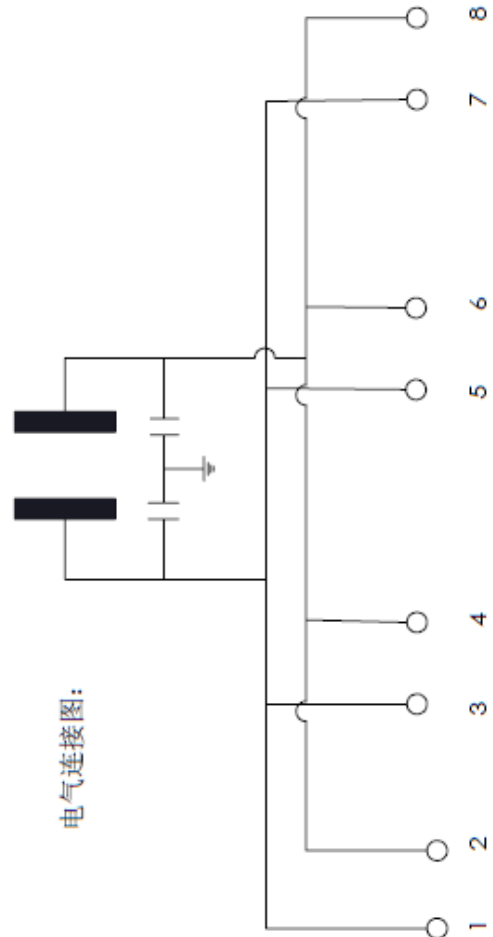
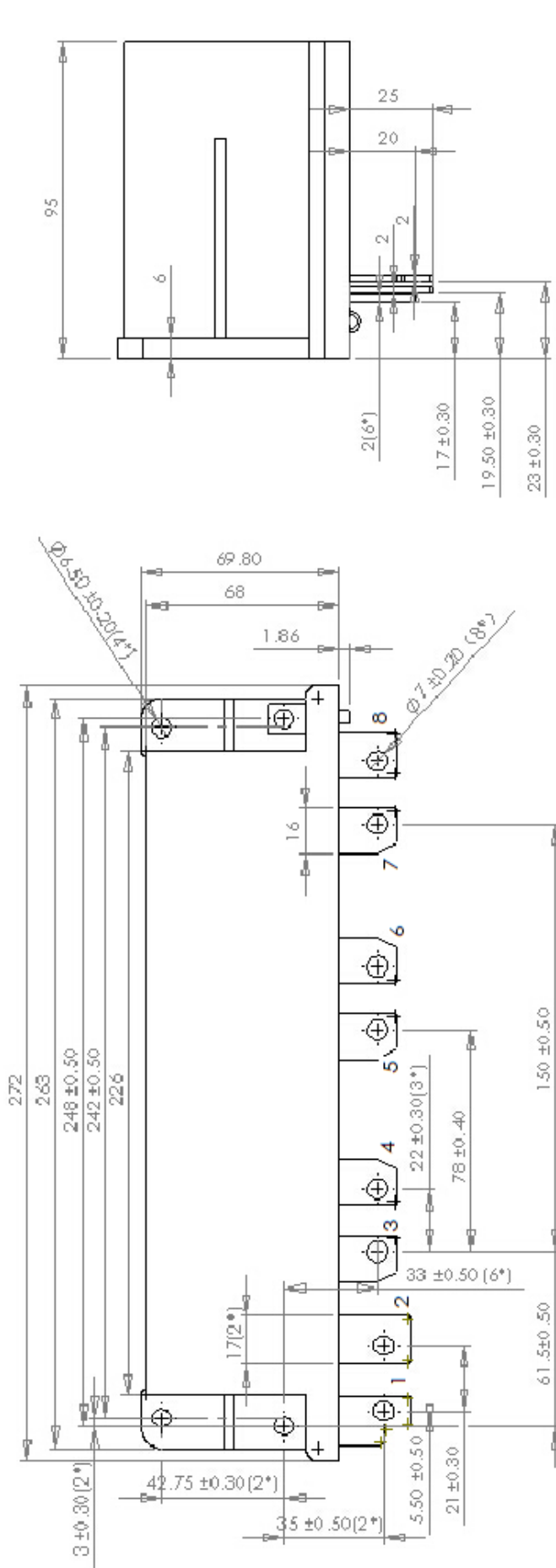
Low inductance, Low ESR, Support high ripple current, especially used in DC-Link filter circuit or Hybrid and electric vehicles.

### ◆ 外形图 Outline Drawing

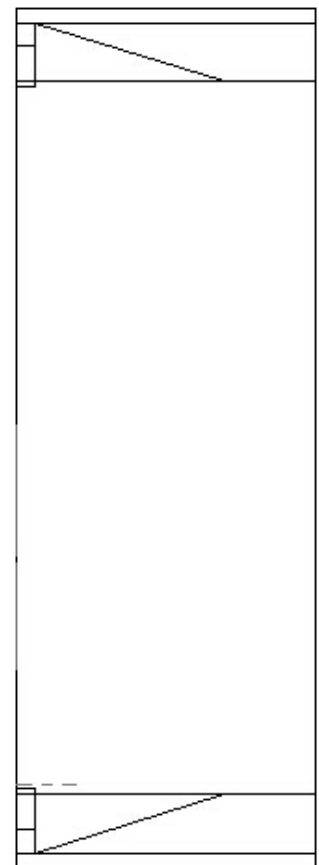


◆ 技术要求 Specifications:

参照标准 Reference Standard	IEC 61071、AEC-Q200D-2010	
额定电压 Rated Voltage	$U_{NDC(85^{\circ}C)}$ : 750Vdc	
电容量 Capacitance Range	850 $\mu$ F (100Hz)	
电容量偏差 Capacitance tolerance	$\pm 10\%$ (K)	
<b>1.主要材质及机械参数</b>		
介质材质 Medium Material	聚丙烯薄膜 Polypropylene Film	
灌封材料 Potting Material	环氧树脂 Epoxy Resin	
外壳材质 Case Material	PPS	
端子材质 Terminal Material	镀锡 t2 紫铜 Tin Plated T2 Copper	
本体尺寸(L×W×H) Body size(L×W×H)	272×69.8×95mm	
安装方式 Installation	安装耳朵	
<b>2.电气参数</b>		
耐电压 Voltage Proof	极间耐压 Between Terminals	$U=1.5U_{NDC}$ (20 °C, 10s)
	极壳耐压 Between Terminals To Case	2500VAC (20 °C, 10s, 50Hz)
过电压能力 Overvoltage Ability	1.1 $U_{NDC}$ (85 °C, 30%负载时间)	
	1.15 $U_{NDC}$ (85 °C, 30 分钟/天)	
	1.2 $U_{NDC}$ (85 °C, 5 分钟/天)	
	1.3 $U_{NDC}$ (85 °C, 1 分钟/天)	
允许最大纹波电流 Maximum Ripple Current	150A	
短时允许最大直流电流有效值 (小于 30s)	200A (环境温度 $\leq 85^{\circ}C$ )	
最大峰值电流 Maximum Peak Current	6950A ( $t \leq 10\mu s$ )	
最大脉冲电流 Maximum Pulse Current	20000A (每次 $T \leq 30ms$ , 不超过 1000 次)	
等效串联电阻 ESR Equivalent Series Resistance	$\leq 0.3m\Omega$ (10KHz)	
自感 Ls Self-inductance	$\leq 25nH$	
热阻 (Rth) Thermal Resistance	$\leq 3.0 K/W$ ( $\theta_{hs}$ to $\theta_{case}$ )	
电气距离 (端子之间) Electrical Distance (Between Terminals)	8.0mm	
爬电距离 (端子之间) Creep Distance (Between Terminals)	10.0mm	
绝缘电阻 Insulation Resistance	$IR \times C \geq 10000s$ (20 °C, 500Vdc)	
损耗角正切 Dissipation Factor	100Hz: $\tan \delta \leq 0.0010$	
<b>3.环境参数</b>		
工作温度范围 (热点温度) Operation Temperature Range (hotspot)	-40 °C~105 °C (85 °C~105 °C :decreasing factor 1.5% per °C for $U_{NDC}$ )	
存储温度范围 Storage Temperature Range	-40 °C~105 °C	



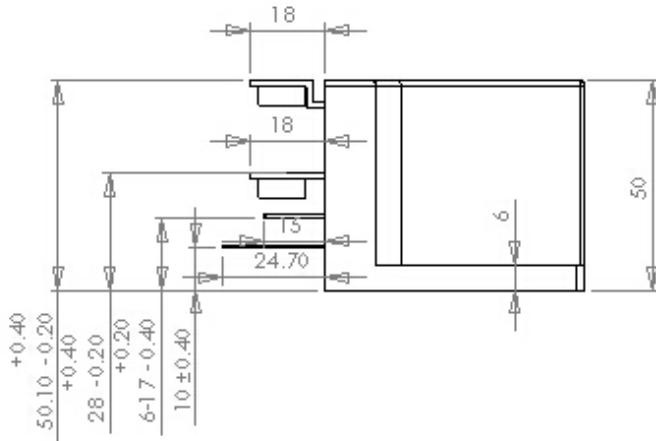
电气连接图:



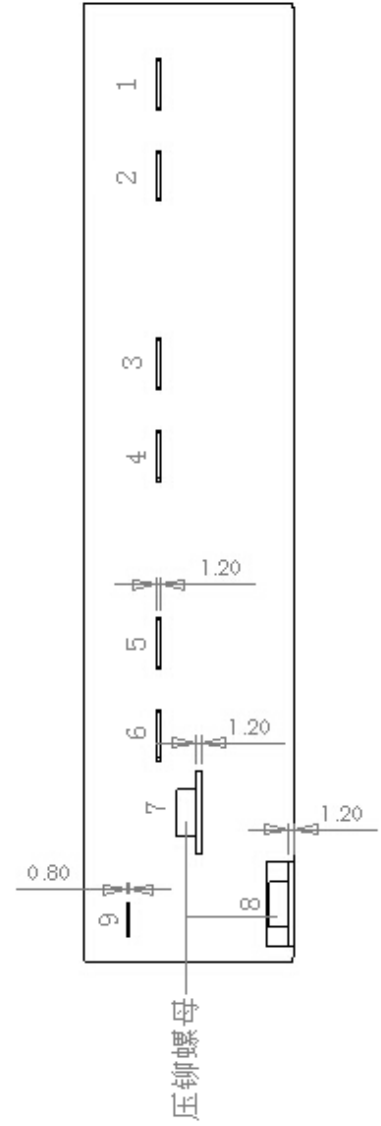
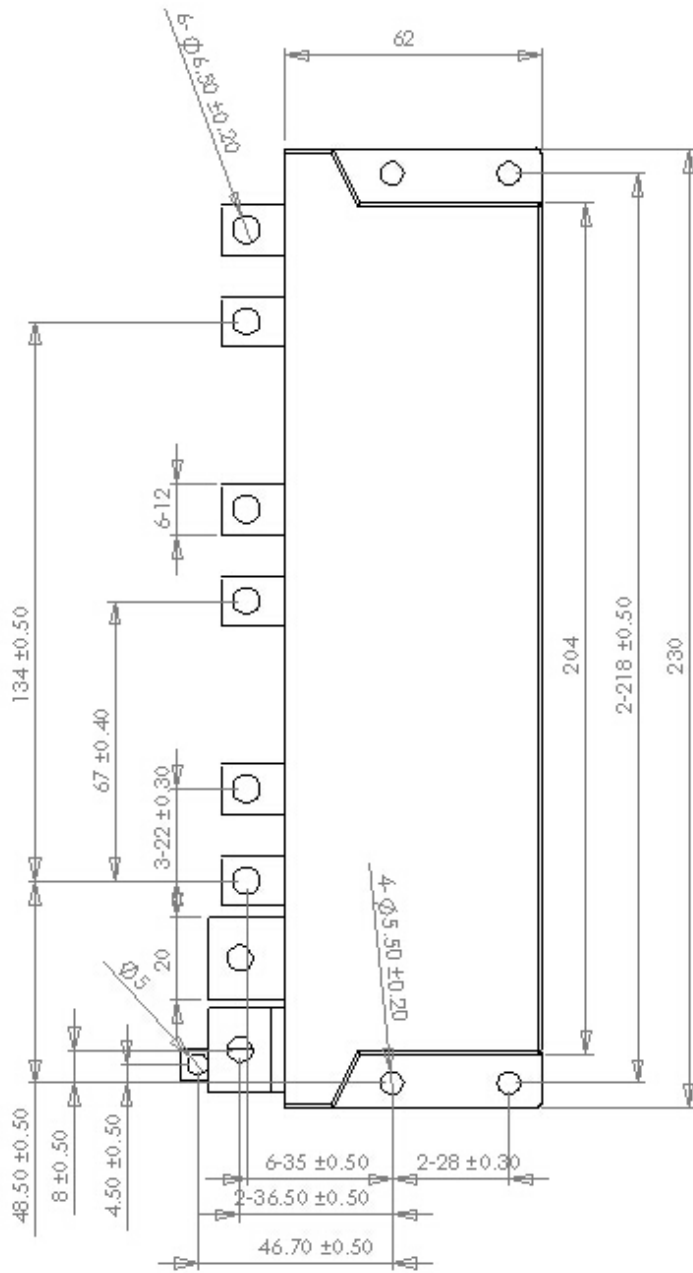
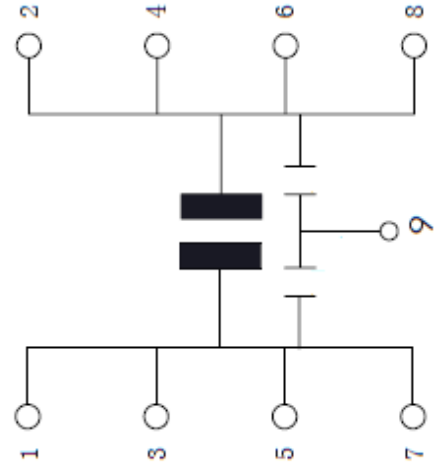


◆ 技术要求 Specifications:

参照标准 Reference Standard	IEC 61071、AEC-Q200D-2010	
额定电压 Rated Voltage	UNDC(85℃): 550Vdc	
电容量 Capacitance Range	450μF (100Hz)	
电容量偏差 Capacitance tolerance	±10% (K)	
<b>1.主要材质及机械参数</b>		
介质材质 Medium Material	聚丙烯薄膜 Polypropylene Film	
灌封材料 Potting Material	环氧树脂 Epoxy Resin	
外壳材质 Case Material	PPS	
端子材质 Terminal Material	镀锡 t2 紫铜 Tin Plated T2 Copper	
本体尺寸(L×W×H) Body size(L×W×H)	230×62×50mm	
安装方式 Installation	安装耳朵	
<b>2.电气参数</b>		
耐电压 Voltage Proof	极间耐压 Between Terminals	U=1.5UNDC (20 °C, 10s)
	极壳耐压 Between Terminals To Case	2500VAC (20 °C, 10s, 50Hz)
过电压能力 Overvoltage Ability	1.1 UNDC (85 °C, 30%负载时间)	
	1.15 UNDC (85 °C, 30 分钟/天)	
	1.2 UNDC (85 °C, 5 分钟/天)	
	1.3 UNDC (85 °C, 1 分钟/天)	
允许最大纹波电流 Maximum Ripple Current	130A	
短时允许最大直流电流有效值 (小于 30s)	200A (环境温度≤85 °C)	
最大峰值电流 Maximum Peak Current	3375A (t≤10μs)	
最大脉冲电流 Maximum Pulse Current	10125A (每次 T≤30ms, 不超过 1000 次)	
等效串联电阻 ESR Equivalent Series Resistance	≤0.4mΩ (10KHz)	
自感 Ls Self-inductance	≤20nH	
热阻 (Rth) Thermal Resistance	≤1.3 K/W (θ <sub>hs</sub> to θ <sub>case</sub> )	
电气距离 (端子之间) Electrical Distance (Between Terminals)	≥9.0mm	
爬电距离 (端子之间) Creep Distance (Between Terminals)	≥9.0mm	
绝缘电阻 Insulation Resistance	IR×C≥10000s (20℃, 500Vdc)	
损耗角正切 Dissipation Factor	100Hz: Tan δ≤0.0008	
<b>3.环境参数</b>		
工作温度范围 (热点温度) Operation Temperature Range (hotspot)	-40 °C~105 °C (85 °C~105 °C :decreasing factor 1.5% per °C for UNDC)	
存储温度范围 Storage Temperature Range	-40 °C~105 °C	



电气连接图:



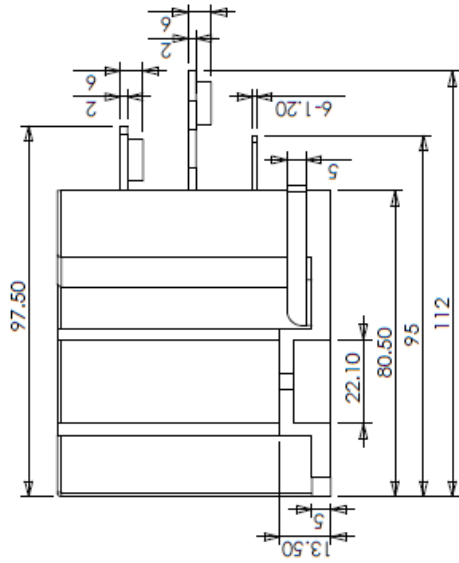
◆ 技术要求 Specifications:

参照标准 Reference Standard	IEC 61071、AEC-Q200D-2010	
额定电压 Rated Voltage	UNDC(85℃): 500Vdc	
电容量 Capacitance Range	1000μF (100Hz)	
电容量偏差 Capacitance tolerance	±10% (K)	
<b>1.主要材质及机械参数</b>		
介质材质 Medium Material	聚丙烯薄膜 Polypropylene Film	
灌封材料 Potting Material	环氧树脂 Epoxy Resin	
外壳材质 Case Material	PPS	
端子材质 Terminal Material	镀锡 t2 紫铜 Tin Plated T2 Copper	
本体尺寸(L×W×H) Body size(L×W×H)	220×80×65mm	
安装方式 Installation	安装耳朵	
<b>2.电气参数</b>		
耐电压 Voltage Proof	极间耐压 Between Terminals	U=1.5UNDC (20 °C, 10s)
	极壳耐压 Between Terminals To Case	2500VAC (20 °C, 10s, 50Hz)
过电压能力 Overvoltage Ability	1.1 UNDC (85 °C, 30%负载时间)	
	1.15 UNDC (85 °C, 30 分钟/天)	
	1.2 UNDC (85 °C, 5 分钟/天)	
	1.3 UNDC (85 °C, 1 分钟/天)	
允许最大纹波电流 Maximum Ripple Current	230A	
短时允许最大直流电流有效值 (小于 30s)	330A (环境温度≤85 °C)	
最大峰值电流 Maximum Peak Current	9000A (t≤10μs)	
最大脉冲电流 Maximum Pulse Current	18000A (每次 T≤30ms, 不超过 1000 次)	
等效串联电阻 ESR Equivalent Series Resistance	≤0.3mΩ (10KHz)	
自感 Ls Self-inductance	≤20nH	
热阻 (Rth) Thermal Resistance	≤1.5 K/W (θ <sub>hs</sub> to θ <sub>case</sub> )	
电气距离 (端子之间) Electrical Distance (Between Terminals)	7.0mm	
爬电距离 (端子之间) Creep Distance (Between Terminals)	7.0mm	
绝缘电阻 Insulation Resistance	IR×C≥10000s (20 °C, 500Vdc)	
损耗角正切 Dissipation Factor	100Hz: Tan δ≤0.0008	
<b>3.环境参数</b>		
工作温度范围 (热点温度) Operation Temperature Range (hotspot)	-40 °C~105 °C (85 °C~105 °C :decreasing factor 1.5% per °C for UNDC)	
存储温度范围 Storage Temperature Range	-40 °C~105 °C	

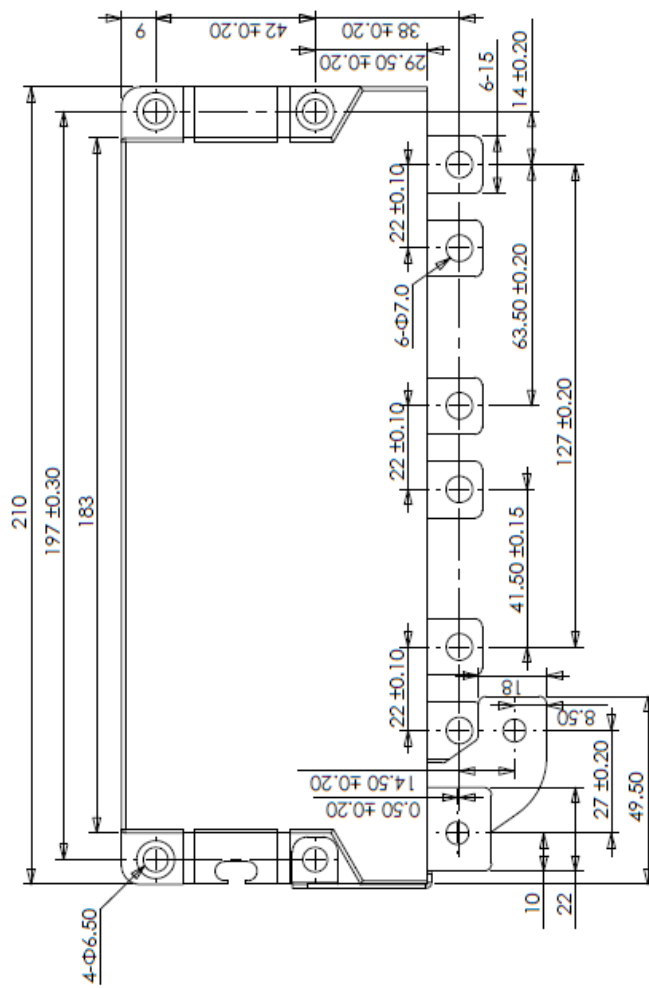
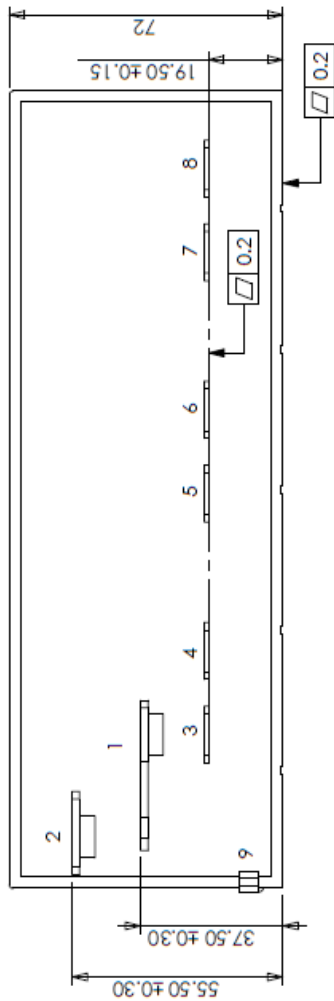
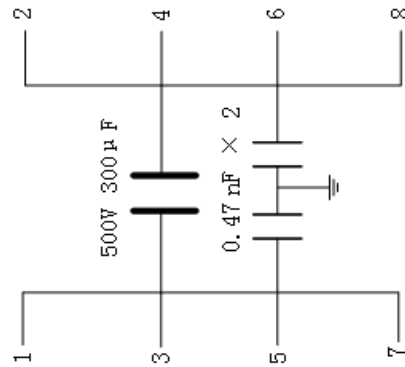


◆ 技术要求 Specifications:

参照标准 Reference Standard	IEC 61071、AEC-Q200D-2010	
额定电压 Rated Voltage	$U_{NDC}(85^{\circ}\text{C}): 500\text{Vdc}$	
电容量 Capacitance Range	330 $\mu\text{F}$ (100Hz)	
电容量偏差 Capacitance Tolerance	$\pm 10\%$ (K)	
<b>1.主要材质及机械参数</b>		
介质材质 Medium Material	聚丙烯薄膜 Polypropylene Film	
灌封材料 Potting Material	环氧树脂 Epoxy Resin	
外壳材质 Case Material	PPS	
端子材质 Terminal Material	镀锡 T2 紫铜 Tin Plated T2 Copper	
本体尺寸(L×W×H) Body Size(L×W×H)	183×80.5×72mm	
安装方式 Installation	安装耳朵	
<b>2.电气参数</b>		
耐电压 Voltage Proof	极间耐压 Between Terminals	$U=1.5U_{NDC}$ (20 °C, 10s)
	极壳耐压 Between Terminals To Case	2500VAC (20 °C, 10s, 50Hz)
过电压能力 Overvoltage Ability	1.1 $U_{NDC}$ (85 °C, 30%负载时间)	
	1.15 $U_{NDC}$ (85 °C, 30 分钟/天)	
	1.2 $U_{NDC}$ (85 °C, 5 分钟/天)	
	1.3 $U_{NDC}$ (85 °C, 1 分钟/天)	
允许最大纹波电流 Maximum Ripple Current	100A ( $\Delta T \leq 20^{\circ}\text{C}$ )	
短时允许最大直流电流有效值 (小于 30s)	200A (环境温度 $\leq 85^{\circ}\text{C}$ )	
最大峰值电流 Maximum Peak Current	2000A	
最大脉冲电流 Maximum Pulse Current	6000A (每次 $T \leq 30\text{ms}$ , 不超过 1000 次)	
等效串联电阻 $E_{sr}$ Equivalent Series Resistance	$\leq 0.8\text{m}\Omega$ (10kHz)	
自感 $L_s$ (F=1mhz 下的典型值) Self-Inductance (Typical Values At 1mhz)	20nH	
热阻 (Rth) Thermal Resistance	$\leq 1 \text{K/W}$ ( $\Theta_{hs}$ To $\Theta_{case}$ )	
电气距离 (端子之间) Electrical Distance (Between Terminals)	7.0mm	
爬电距离 (端子之间) Creep Distance (Between Terminals)	7.0mm	
绝缘电阻 Insulation Resistance	$IR \times C \geq 10000\text{s}$ (20 °C, 500Vdc)	
损耗角正切 Dissipation Factor	100Hz: $\tan \delta \leq 0.0008$	
<b>3.环境参数</b>		
工作温度范围(热点温度) Operation Temperature Range (hotspot)	-40 °C~105 °C (85 °C~105 °C :decreasing factor 1.5% per °C for $U_{NDC}$ )	
存储温度范围 Storage Temperature Range	-40 °C~105 °C	



电气连接图：



◆可靠性 Reliability: IEC 61071 and AEC-Q200D-2010

测试项目 Test	参考标准 Reference	测试条件 Conditions of Test	判定标准 Performance requirements
电器参数 (例行试验) Electrical parameters (Routine test)	IEC 61071	极间耐压试验: $1.5 U_{NDC} * 10s$ Voltage between terminals, $1.5 U_{NDC}$ , during 10s 绝缘电阻测试: $20^{\circ}C * 100Vdc * 60s$ Insulation Resistance: $20^{\circ}C * 100Vdc * 60s$ Capacitance, C at 100Hz (room temperature) Dissipation factor, Tan $\delta$ at 1/10kHz (room temperature)	符合规格书 Within specified limits
高温存储 High temperature storage	AEC-Q200-3	在 $105^{\circ}C$ 条件下存储 1000 小时, 不通电。在试验结束 $24 \pm 4$ 小时内进行测试。 1000hrs, at $105^{\circ}C$ , Unpowered. Measurement at $24 \pm 4$ hours after test.	无明显外观损伤 No visible damage $ \Delta C  \leq 3\%$ $IR \geq 10000s$ $\tan \delta \leq 0.0008$ at 100Hz
冷热冲击 Temperature cycling	AEC-Q200-4	100 个循环 ( $-40 \sim 105^{\circ}C$ ), 每个温度的停留时间不超过 30 分钟, 转换时间不超过 1 分钟; 实验结束 $24 \pm 4$ 小时内进行测试。 100cycles ( $-40 \sim 105^{\circ}C$ ), 30min maximum dwell time at each temperature extreme. 1 min maximum transition time. Measurement at $24 \pm 4$ hours after test conclusion.	无明显外观损伤 No visible damage $ \Delta C  \leq 3\%$ $IR \geq 10000s$ $\tan \delta \leq 0.0008$ at 100Hz
潮热实验 Biased humidity	AEC-Q200-7	在 $40^{\circ}C$ , 93%RH 的条件下加载额定电压测试 1000h; 实验结束 $24 \pm 4$ 小时内进行测试。 $40^{\circ}C * 93\%RH * U_{NDC} * 1000hrs$ , Measurement at $24 \pm 4$ hours after test.	无明显外观损伤 No visible damage $ \Delta C  \leq 5\%$ $IR \geq 5000s$ $\Delta \tan \delta \leq 200\%$ of initial $\delta$ at 10KHz
寿命测试 Operational life	AEC-Q200-8	$105^{\circ}C * U_{NDC} * 1000h$ , 实验结束 $24 \pm 4$ 小时内进行测试。 1000hrs or $105^{\circ}C * U_{NDC} * 1000h$ , Measurement at $24 \pm 4$ hours after test.	无明显外观损伤 No visible damage $ \Delta C  \leq 5\%$ $IR \geq 5000s$ $ \Delta \tan \delta  \leq 0.015$ at 10KHz
外观检测 (例行试验) External visual (Routine test)	AEC-Q200-9	检测器件结构, 标识和工艺质量。不要求电器特性。 Inspect device construction, marking and workmanship. Electrical test not required.	符合规格书 Within specified limits.
尺寸检查 (例行试验) Physical dimension (Routine test)	AEC-Q200-10	按适合的器件详细规格验证物理尺寸。不要求电气测试。 Verify physical dimensions to the applicable device specification. Electrical test not required.	符合规格书 Within specified limits.
溶剂抵抗 Resistance to solvents	AEC-Q200-12	使用 OKEM 清洗剂或其他相同溶剂浸泡环氧树脂面 1 分钟, 不要使用禁止的溶剂。用毛刷反复擦拭 10 次。 Use the OKEM cleaning or equivalent solvent to soak epoxy resin surface for 1 minutes. Don't use banned solvents. Repeated 10 times with a brush.	无粉尘脱落 No powder off
机械冲击 Mechanical shock	AEC-Q200-13	请参照 MIL-STD-202 中方法 213 图表 1, 条件 C。 Refer to MIL-STD-202 method 213, condition C.	无明显外观损伤 No visible damage $ \Delta C  \leq 5\%$ $IR \geq 5000s$ $\tan \delta \leq 0.0008$ at 100Hz
振动测试 Vibration	AEC-Q200-14	5g 力的加速度, 扫描周期 20min, 冲击方向 x、y、z, 循环 12 次。 Acceleration of 5g force, scanning period :20min, Impact direction: X, Y, Z, Cycles: 12 times.	无明显外观损伤 No visible damage





MKP88  
MKP88 series

## MKP88 型塑料外壳干式直流滤波电容

### MKP88 DC-Filter Capacitor (Box-Type, Dry-Type)

#### ◆ 外形尺寸图 Outline Drawing

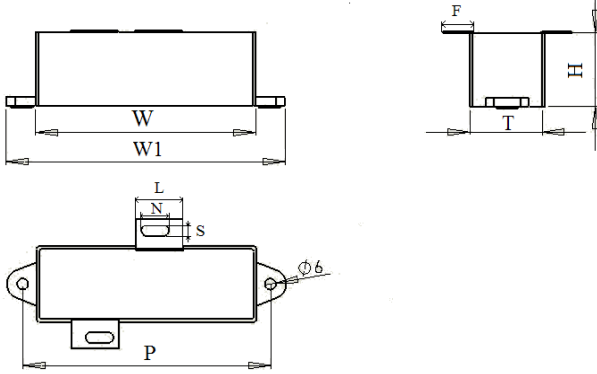


图 1: 引出类型一 Style1 L×F×N×S=26\*16.8\*15\*

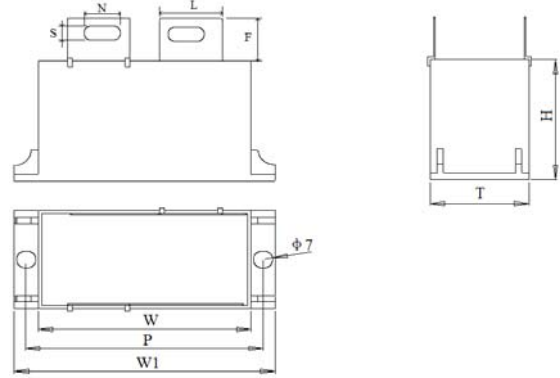


图 2: 引出类型二 Style2 L×F×N×S=26\*16.8\*15\*6

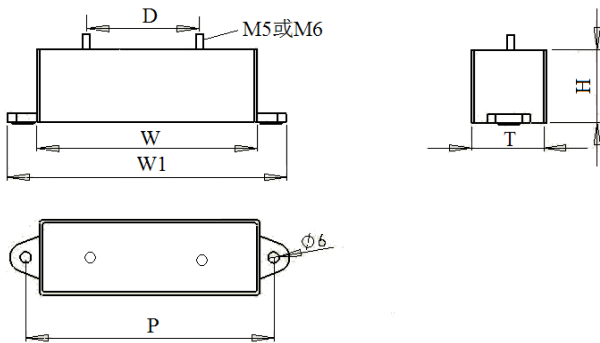


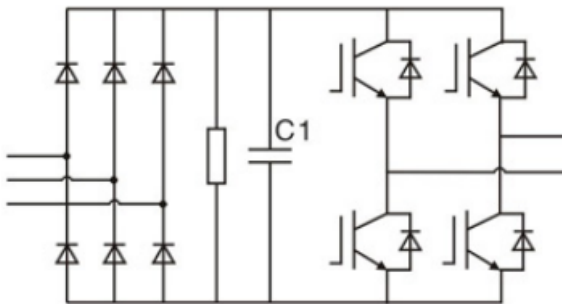
图 3: 引出类型三 Style3

#### ◆ 特点及用途 Application and Feature

自感小, 等效串联电阻小, 高纹波电流承受能力, 通常用于焊机、感应加热设备、逆变器的直流母线滤波电路当中。

Low inductance, Low ESR, Support high ripple current, especially used in DC-filter circuit for welding machine, inverter, induction heating equipment.

#### ◆ 典型应用 Typical Applications



C1: MKP88 type DC- filter capacitor

◆ 技术要求 Specifications

参照标准 Reference Standard	IEC 61071
气候类别 Climatic Category	40/85/56
额定电压 Rated Voltage	800Vdc/500Vac、1100Vdc/700Vac
工作温度范围 Operation Temperature Range	-40℃~85℃(hotspot)
电容量 Capacitance Range	20μF~110μF (According to customer requirements)
电容量偏差 Capacitance Tolerance	±5%(J)、±10%(K) (20±5℃,1KHz)
耐电压 Voltage Proof	U=1.5U <sub>R</sub> (20℃, 10s)
绝缘电阻 Insulation Resistance	IR×C≥10 000s (20℃, 100Vdc, 1min)
损耗角正切 Dissipation Factor	100Hz: Tan δ≤0.0004
工作寿命 Operation Life Time	100 000 hours at U <sub>NDC</sub> , Θ <sub>max</sub> =70℃

◆ 产品代码编写说明: Part number code system:

16 位产品代码如下: The 16 digits part number is formed as follow:

1 2 3 4 5 6 7 8 9 10 11 12 13 14 15 16

M	K	8	8												
---	---	---	---	--	--	--	--	--	--	--	--	--	--	--	--

第 1~4 位	薄膜电容器系列代码 MK88=MKP88	Digit 1~4	Series code of film capacitor MK88=MKP88
第 5~7 位	标称容量代码 举例: 104=10×104pF=0.1 μ F	Digit 5~7	Rated capacitance value code For example: 104=10×104pF=0.1 μ F
第 8 位	容量等级代码 J=±5% K=±10%	Digit 8	Capacitance tolerance code J=±5% K=±10%
第 9~10 位	直流额定电压代码 1W=800V 3K=1100V	Digit 9~10	DC rated voltage code 1W=800V 3K=1100V
第 11 位	外壳宽度 1=120mm 2=88mm 3=150mm	Digit 11	Wide of case 1=120mm 2=88mm 3=150mm
第 12 位	内部特征码	Digit 12	Internal use
第 13~16 位	引出端代码 0000 表示客户定制 其他见表 1	Digit 13~16	Terminals code 0000 = customized Referring to table 1

表 1 引出端代码 Table 1 Terminals code

第 13 位 Digit 13		第 14 位 Digit 14		第 15~16 位 Digit 15~16	
端子引出方式 Style for terminals		焊片高度(螺栓直径) Height for solder slice(mm)		焊片尺寸(螺栓距离) Size for solder slice(mm)	
代码 Code	说明 explanation	代码 Code	说明 explanation	代码 Code	说明 explanation
1	style 1 图 1	0	0	00	L×F×N×S=26×16.8×15×6
2	style 2 图 2				
3	style 3 图 3	5	M5	00	标准距离 Standard distance
		6	M6		



# MKP88

MKP88 series

◆ 产品尺寸及性能参数: **Product Dimension and Characteristic Data:**

800Vdc/500Vac								
C ( $\mu$ F)	W $\pm$ 2.0	H $\pm$ 2.0	T $\pm$ 2.0	W1 $\pm$ 2.0	P $\pm$ 2.0	D $\pm$ 2.0	ESR max@10kHz (m $\Omega$ )	产品代码 Part number
20.0	88.0	40.0	40.0	108.0	98.0	40.0	7.0	MK88206-1W20****
30.0	88.0	40.0	40.0	108.0	98.0	40.0	7.0	MK88306-1W20****
40.0	88.0	50.0	40.0	108.0	98.0	40.0	6.0	MK88406-1W20****
50.0	120.0	40.0	41.0	152.0	135.0	70.0	6.0	MK88506-1W10****
60.0	120.0	45.0	41.0	152.0	135.0	70.0	6.0	MK88606-1W10****
70.0	120.0	45.0	45.0	152.0	135.0	70.0	6.0	MK88706-1W10****
80.0	150.0	45.0	45.0	182.0	165.0	100.0	6.0	MK88806-1W30****
90.0	150.0	50.0	45.0	182.0	165.0	100.0	6.0	MK88906-1W30****
100.0	150.0	50.0	45.0	182.0	165.0	100.0	5.0	MK88107-1W30****
110.0	150.0	50.0	50.0	182.0	165.0	100.0	5.0	MK88117-1W30****

1100Vdc/650Vac								
C ( $\mu$ F)	W $\pm$ 2.0	H $\pm$ 2.0	T $\pm$ 2.0	W1 $\pm$ 2.0	P $\pm$ 2.0	D $\pm$ 2.0	ESR max@10kHz (m $\Omega$ )	产品代码 Part number
20.0	88.0	40.0	40.0	108.0	98.0	40.0	7.0	MK88206-3K20****
30.0	88.0	50.0	40.0	108.0	98.0	40.0	7.0	MK88306-3K20****
40.0	120.0	45.0	41.0	152.0	135.0	70.0	6.0	MK88406-3K10****
50.0	120.0	50.0	45.0	152.0	135.0	70.0	6.0	MK88506-3K10****
60.0	150.0	50.0	45.0	182.0	165.0	100.0	6.0	MK88606-3K30****
70.0	150.0	50.0	50.0	182.0	165.0	100.0	6.0	MK88706-3K30****
80.0	150.0	55.0	50.0	182.0	165.0	100.0	5.0	MK88806-3K30****

备注:

“-” : 客户要求的容量偏差

“\*\*\*\*” : 引出端代码, 见表 1

“-”=custom's capacitor tolerance code, J= $\pm$ 5%, K= $\pm$ 10%, M= $\pm$ 20%

“\*\*\*\*”=Terminals code, referring to table 1

◆可靠性: Reliability

Test description	Reference	Test conditions	Determine criteria
极间耐压 Voltage test between terminals	IEC 61071	1.5 x U <sub>NDC</sub> at Tamb Duration: 60 s	No visible damage  ΔC/C : ≤0.5% tan δ: ≤1.2 initial tan δ+ 1×10 <sup>-4</sup> at 10KHz R <sub>ins</sub> : ≥ 50% of IR limit
放电实验 Surge discharge test	IEC 61071	1.1 x U <sub>NDC</sub> Number of discharges: 5(within 10 minutes)	No visible damage  ΔC/C : ≤1.0% tan δ: ≤1.2 initial tan δ+ 1×10 <sup>-4</sup> at 10KHz R <sub>ins</sub> : ≥ 50% of IR limit
温度变化 Change of temperature	IEC 60068-2-14	Tmax. = 85 °C Tmin. = - 40 °C Transition time: 1 h, equivalent to 1°C/min 5 cycles	No visible damage  ΔC/C : ≤ 2.0 % Increase of tan δ: ≤ 150 ×10 <sup>-4</sup> at 10KHz R <sub>ins</sub> : ≥ 50% of IR limit
耐湿性 Damp heat steady	IEC 60068-2-78	Tmax. = 40 °C RH = 93 % Duration 56 days	No visible damage  ΔC/C : ≤ 2.0 % Increase of tan δ: ≤ 150 ×10 <sup>-4</sup> at 10KHz R <sub>ins</sub> : ≥ 50% of IR limit
耐久性 Endurance test between terminals	IEC 61071	1.3 × U <sub>NDC</sub> at Tmax. = 85 °C Duration 500 h 1000 × discharge at 1.4 × I (repetitive peak current in continuous operation) 1.3× U <sub>NDC</sub> at Tmax. = 85 °C Duration 500 h	No visible damage  ΔC/C : ≤ 3.0 % Increase of tan δ: ≤ 150 ×10 <sup>-4</sup> at 10KHz R <sub>ins</sub> : ≥ 50% of IR limit
自愈性测试 Self healing test	IEC 61071	1.5 × U <sub>NDC</sub> Duration 10 sec , Number of Self healing ≤ 5 , increase the voltage at 100 V/s till 5 , with a max. of 2.5 × U <sub>NDC</sub> for a duration of 10 sec	No visible damage  ΔC/C : ≤0.5% tan δ: ≤1.1 initial tan δ+ 1×10 <sup>-4</sup> at 10KHz
振动 Vibration	IEC60068	f=10 Hz to 55 Hz, a=±0.35mm Test duration per axis = 10 frequency cycles (3 axes offset from each other by 90°)1 octave/min, the total times are 135 min for 3axes	No visible damage



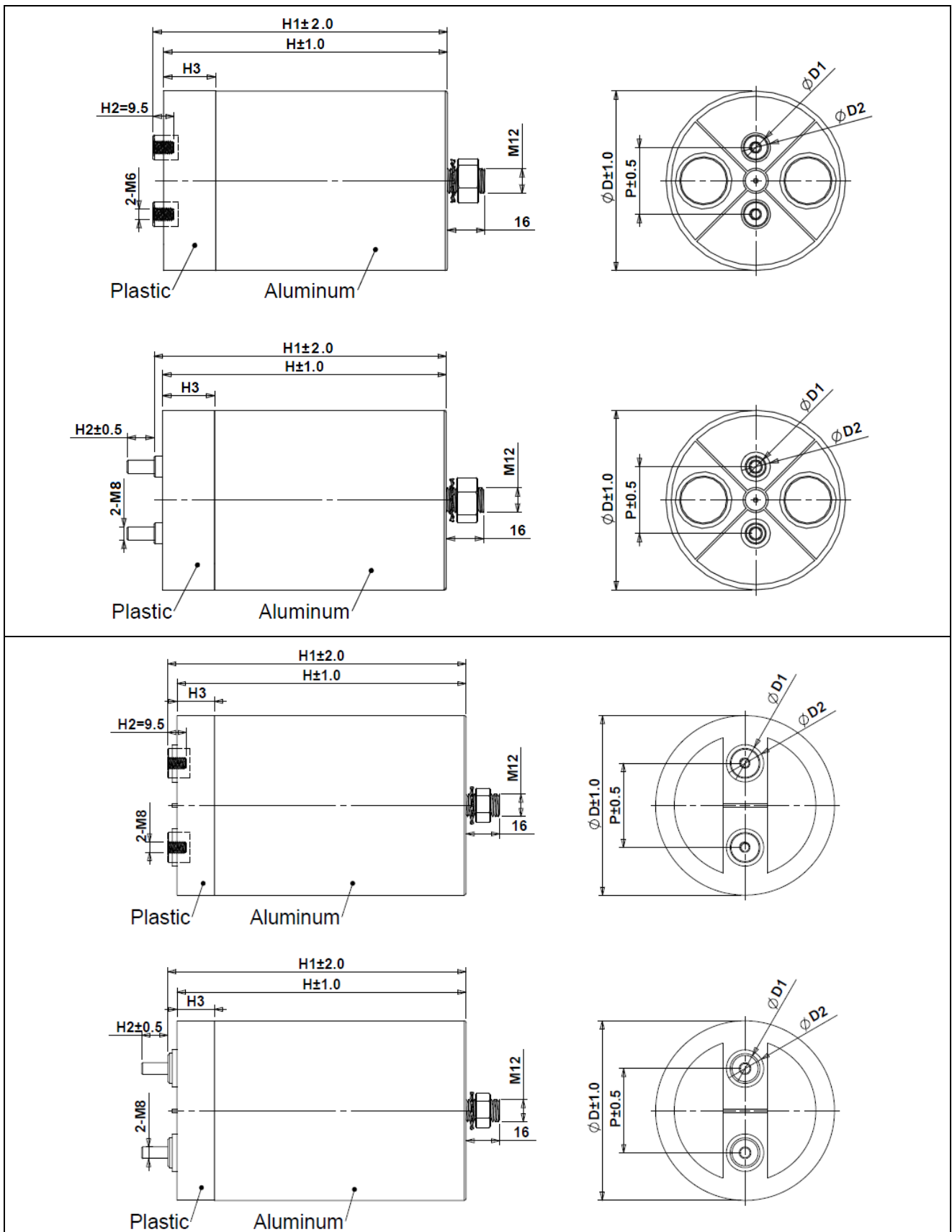
CBB60

中星 CBB60 series

# CBB60 型干式直流滤波电容器

## DC-Link Capacitor (Dry-Type)

### ◆ 外形尺寸图 Outline Drawing



◆ **特点及用途 Application and Feature**


金属化聚丙烯薄膜电容器，铝壳，树脂灌封，等效串联电阻小，可承受较大的纹波电流，自感小，自愈性，寿命长。适用于交通工具（电动车和混合动力车），工业和牵引变流器的 DC-Link，DC-filter，风能和太阳能发电的 DC-Link，用以代替电解电容器，也可作为焊接设备的脉冲放电电容。

Polypropylene film capacitor, Aluminum case, filled with resin. Low ESR, high ripple current handling capabilities, low ESL, self-healing property, long lifetime. Suitable for transportation (EV or HEV), DC-Link and DC-filter in industry and traction converters, DC-Link in wind turbine converters and solar power, can replace aluminum electrolytic capacitors. It is also used as impulse discharge capacitors for magnetizing and welding.

◆ **技术要求 Specifications**

参照标准 Reference Standard	GB/T 17702 、 IEC 61071	
气候类别 Climatic Category	40/85/56	
工作温度范围 (热点温度) Operation Temperature Range (hotspot)	-40℃~85℃	
贮存温度 Storage Temperature	-40℃~85℃	
额定电压 Rated Voltage	600Vdc ~ 4000Vdc	
电容量范围 Capacitance Range	24μF~5600μF	
标准电容量偏差 Standard Capacitance Tolerance	±5%(J)、 ±10%(K) (20℃, 100Hz)	
最大电极扭矩 Max. Torque of Terminals	M6: 5.0Nm, M8: 6.0Nm	
最大安装扭矩 Max. torque of Installation	10.0Nm	
耐电压 Voltage Proof	两极之间 between terminals	$U=1.5U_{NDC}$ (20℃ ± 5℃, 10s)
	极壳之间 between terminals and case	$U_{NDC} < 1500Vdc, 3000Vac$ (20℃ ± 5℃, 10s, 50Hz)
		$U_{NDC} \geq 1500Vdc, (\sqrt{2} U_{NDC}+1000)Vac$ (20℃ ± 5℃, 10s, 50Hz)
绝缘电阻 Insulation Resistance	$\tau \geq 5\ 000M\Omega \cdot \mu F$ (20 ± 5℃, 500Vdc, 1min)	
介质损耗角正切 Dissipation Factor	$\leq 0.0002$ (1kHz, 20℃)	
过电压 Over Voltage	一天之内的最长持续时间 Maximum duration within one day	说明 Observation
	1.1 $U_{NDC}$ (30% of on-load-dur.)	系统调整 System regulation
	1.15 $U_{NDC}$ (30min/day)	
	1.2 $U_{NDC}$ (5min/day)	
1.3 $U_{NDC}$ (1min/day)		
预期寿命 Lifetime Expectancy	参照预期寿命曲线 Refer to Expected Lifetime Curves	

◆ **安全认证 Safety Approvals**

	UL(美国)	UL810(construction only) 证书号 (File No.) :E477437.
	TUV Rheinland (欧盟)	EN61071:2007. 24.0~3200 μ F, DC 600V~4000V, -40℃/85℃ 证书号 Certificate No.: R 50420996 0001



# CBB60

CBB60 series

## ◆ 产品代码编写说明: Part number code system:

16 位产品代码如下: The 16 digits part number is formed as follow:

1	2	3	4	5	6	7	8	9	10	11	12	13	14	15	16
C	B	6	0												

- |   |  |
|---|--|
| <p>第 1~4 位      薄膜电容器系列代码</p> <p>CB60=CBB60</p>   | <p>Digit 1~4      Series code of film capacitor</p> <p>CB60=CBB60</p>  |
| <p>第 5~7 位      标称容量代码</p> <p>举例: 227=22×10<sup>7</sup>pF=220μF</p>   | <p>Digit 5~7      Rated capacitance value code</p> <p>For example: 227=22×10<sup>7</sup>pF=220μF</p>   |
| <p>第 8 位      容量等级代码</p> <p>J=±5%    K=±10%</p>   | <p>Digit 8      Capacitance tolerance code</p> <p>J=±5%    K=±10%</p>  |
| <p>第 9~10 位      直流额定电压代码</p> <p>1U=600V    1V=700V    1W=800V</p> <p>1X=900V    3A=1000V    3K=1100V</p> <p>3L=1200V    3Y=1300V    3M=1400V</p> <p>4B=1500V    3D=2000V    4L=2200V</p> <p>4M=2400V    4C=2600V    4W=2800V</p> <p>3F=3000V    3Z=3200V    4Z=3600V</p> <p>3G=4000V</p> | <p>Digit 9~10      DC rated voltage code</p> <p>1U=600V    1V=700V    1W=800V</p> <p>1X=900V    3A=1000V    3K=1100V</p> <p>3L=1200V    3Y=1300V    3M=1400V</p> <p>4B=1500V    3D=2000V    4L=2200V</p> <p>4M=2400V    4C=2600V    4W=2800V</p> <p>3F=3000V    3Z=3200V    4Z=3600V</p> <p>3G=4000V</p> |
| <p>第 11~12 位      外形尺寸代码</p>  | <p>Digit 11~12      Dimension code</p>   |

Dimension code

Code	D	H	Code	D	H	Code	D	H	Code	D	H	Code	D	H
A0	86	140	B4	86	225	C8	86	252	E2	96	140	F6	100	95
A1	86	120	B5	86	136	C9	60	80	E3	96	175	F7	100	120
A2	76	140	B6	86	75	D0	60	210	E4	96	225	F8	100	136
A3	76	120	B7	106	125	D1	136	295	E5	106	95	F9	100	140
A4	86	95	B8	116	125	D2	76	225	E6	106	140	G0	100	174
A5	76	95	B9	50	118	D3	116	195	E7	106	175	G1	96	155
A6	86	155	C0	86	125	D4	116	145	E8	106	225	G2	96	145
A7	76	155	C1	116	230	D5	116	225	E9	116	265	G3	100	90
A8	86	174	C2	116	223.5	D6	110	165	F0	136	120	G4	96	90
A9	76	174	C3	116	135	D7	67	114	F1	136	140	G5	96	180
B0	116	95	C4	116	174	D8	106	120	F2	136	175			
B1	116	120	C5	100	155	D9	136	180	F3	136	225			
B2	116	140	C6	86	145	E0	96	95	F4	136	265			
B3	116	158	C7	86	238	E1	96	120	F5	50	113			

- |                             |                                       |
|-----------------------------|---------------------------------------|
| <p>第 13 位      内部特征码</p>    | <p>Digit 13      Internal use</p>     |
| <p>第 14~16 位      引出端代码</p> | <p>Digit 14~16      Terminal code</p> |







CBB60

CBB60 series

◆ 产品尺寸及性能参数: Product Dimension and characteristic data:

600Vdc												
C ( $\mu$ F)	ESR (m $\Omega$ )	Ls (nH)	R <sub>th</sub> (K/W)	I (A)	I <sub>max</sub> (A)			尺寸 (mm) Dimension			重量 Weight (kg)	产品代码 Part number
					40℃	50℃	60℃	D	H	H1		
480	1.5	45	5.6	1560	70	65	55	76	95	101	0.60	CB60487-1UA50***
650	1.9	50	4.7	1560	70	63	53	76	120	126	0.70	CB60657-1UA30***
780	2.2	55	4.6	1550	67	59	50	76	140	146	0.75	CB60787-1UA20***
820	1.5	40	4.3	3060	70	70	62	76	155	161	0.90	CB60827-1UA70***
950	1.5	45	4.2	3090	70	70	63	76	174	180	1.00	CB60957-1UA90***
650	1.2	45	5.1	2120	70	70	64	86	95	101	0.72	CB60657-1UA40***
880	1.5	50	4.7	2110	70	70	60	86	120	126	1.00	CB60887-1UA10***
1000	1.8	55	4.6	2070	70	65	55	86	136	142	1.10	CB60108-1UB50***
1100	1.7	55	4.6	2180	70	67	57	86	140	146	1.15	CB60118-1UA00***
1100	1.4	40	4.4	4110	70	70	64	86	155	161	1.25	CB60118-1UA60***
1300	1.4	45	4.3	4230	70	70	64	86	174	180	1.30	CB60138-1UA80***
2000	1.1	55	3.0	6510	70	70	64	86	252	258	1.80	CB60208-1UC80***
900	1.3	45	4.7	2900	70	70	58	100	95	100	1.20	CB60907-1UF60***
1200	1.4	50	4.1	2850	70	70	58	100	120	125	1.48	CB60128-1UF70***
1400	1.5	55	3.9	2870	70	70	58	100	136	141	1.66	CB60148-1UF80***
1500	1.6	55	3.8	2740	70	70	58	100	140	145	1.72	CB60158-1UF90***
1600	1.0	40	3.5	5920	70	70	63	100	155	160	1.99	CB60168-1UC50***
1800	1.0	45	3.2	5800	70	70	63	100	174	179	2.28	CB60188-1UG00***
1200	0.7	45	5.4	3900	80	80	72	116	95	100	1.20	CB60128-1UB00***
1600	1.0	50	5.0	3830	80	80	70	116	120	125	1.50	CB60168-1UB10***
2000	1.1	55	4.9	3960	80	80	67	116	140	145	1.75	CB60208-1UB20***
2100	0.8	40	3.6	7840	100	100	92	116	158	163	2.00	CB60218-1UB30***
2400	0.9	45	3.4	7810	100	100	90	116	174	179	2.20	CB60248-1UC40***
3000	0.8	50	2.7	11200	100	100	90	116	230	235	2.80	CB60308-1UC10***
5600	0.8	60	2.0	15940	100	100	90	136	295	300	4.90	CB60568-1UD10***

700Vdc												
C ( $\mu$ F)	ESR (m $\Omega$ )	Ls (nH)	R <sub>th</sub> (K/W)	I (A)	I <sub>max</sub> (A)			尺寸 (mm) Dimension			重量 Weight (kg)	产品代码 Part number
					40℃	50℃	60℃	D	H	H1		
360	1.6	45	5.6	1560	70	63	53	76	95	101	0.60	CB60367-1VA50***
480	2.1	50	4.7	1530	68	60	50	76	120	126	0.70	CB60487-1VA30***
580	2.4	55	4.6	1530	64	56	48	76	140	146	0.75	CB60587-1VA20***
620	1.5	40	4.3	3090	70	70	62	76	155	161	0.90	CB60627-1VA70***
720	1.6	45	4.2	3120	70	70	61	76	174	180	1.00	CB60727-1VA90***
480	1.3	45	5.1	2080	70	70	61	86	95	101	0.72	CB60487-1VA40***
650	1.7	50	4.7	2080	70	66	56	86	120	126	1.00	CB60657-1VA10***
750	2.0	55	4.6	2070	70	62	52	86	136	142	1.10	CB60757-1VB50***
780	1.9	55	4.6	2060	70	63	53	86	140	146	1.15	CB60787-1VA00***
820	1.4	40	4.4	4080	70	70	64	86	155	161	1.25	CB60827-1VA60***
950	1.5	45	4.3	4120	70	70	62	86	174	180	1.30	CB60957-1VA80***
1500	1.1	55	3.0	6500	70	70	64	86	252	258	1.80	CB60158-1VC80***
650	1.4	45	4.7	2710	70	69	56	100	95	100	1.20	CB60657-1VF60***
900	1.5	50	4.1	2760	70	69	56	100	120	125	1.47	CB60907-1VF70***
1000	1.7	55	3.9	2650	70	67	55	100	136	141	1.67	CB60108-1VF80***
1100	1.7	55	3.8	2790	70	68	56	100	140	145	1.69	CB60118-1VF90***
1100	1.0	40	3.5	5260	70	70	63	100	155	160	2.01	CB60118-1VC50***

◆ 产品尺寸及性能参数: Product Dimension and characteristic data:

700Vdc												
C ( $\mu$ F)	ESR (m $\Omega$ )	Ls (nH)	Rth (K/W)	I (A)	Imax (A)			尺寸 (mm) Dimension			重量 Weight (kg)	产品代码 Part number
					40 $^{\circ}$ C	50 $^{\circ}$ C	60 $^{\circ}$ C	D	H	H1		
1300	1.1	45	3.2	5420	70	70	63	100	174	179	2.28	CB60138-1VG00***
920	0.7	45	5.4	3990	80	80	72	116	95	100	1.20	CB60927-1VB00***
1200	1.0	50	5.0	3830	80	80	70	116	120	125	1.50	CB60128-1VB10***
1500	1.1	55	4.9	3950	80	80	68	116	140	145	1.75	CB60158-1VB20***
1500	0.8	40	3.6	7460	100	100	93	116	158	163	2.00	CB60158-1VB30***
1800	1.0	45	3.4	7800	100	100	85	116	174	179	2.20	CB60188-1VC40***
2300	0.8	50	2.7	11440	100	100	90	116	230	235	2.80	CB60238-1VC10***
4200	0.8	60	2.0	15920	100	100	90	136	295	300	4.90	CB60428-1VD10***

800Vdc												
C ( $\mu$ F)	ESR (m $\Omega$ )	Ls (nH)	Rth (K/W)	I (A)	Imax (A)			尺寸 (mm) Dimension			重量 Weight (kg)	产品代码 Part number
					40 $^{\circ}$ C	50 $^{\circ}$ C	60 $^{\circ}$ C	D	H	H1		
290	1.7	45	5.6	1530	69	61	51	76	95	101	0.60	CB60297-1WA50***
400	2.2	50	4.7	1530	66	58	49	76	120	126	0.70	CB60407-1WA30***
480	2.5	55	4.6	1560	63	55	47	76	140	146	0.75	CB60487-1WA20***
480	1.6	40	4.3	1540	70	70	60	76	155	161	0.90	CB60487-1WA70***
560	1.7	45	4.2	2910	70	70	59	76	174	180	1.00	CB60567-1WA90***
380	1.4	45	5.1	2960	70	70	59	86	95	101	0.72	CB60387-1WA40***
520	1.8	50	4.7	2010	70	64	54	86	120	126	1.00	CB60527-1WA10***
580	2.0	55	4.6	2020	70	62	52	86	136	142	1.10	CB60587-1WB50***
630	2.1	55	4.6	1950	68	60	51	86	140	146	1.15	CB60637-1WA00***
650	1.5	40	4.4	2030	70	70	62	86	155	161	1.25	CB60657-1WA60***
750	1.6	45	4.3	3940	70	70	60	86	174	180	1.30	CB60757-1WA80***
1100	1.2	55	3.0	3960	70	70	63	86	252	258	1.80	CB60118-1WC80***
500	1.4	45	4.7	2620	70	67	55	100	95	100	1.20	CB60507-1WF60***
700	1.6	50	4.1	2700	70	67	55	100	120	125	1.47	CB60707-1WF70***
800	1.8	55	3.9	2660	70	66	54	100	136	141	1.65	CB60807-1WF80***
850	1.8	55	3.8	2700	70	66	54	100	140	145	1.68	CB60857-1WF90***
900	1.1	40	3.5	5400	70	70	63	100	155	160	1.98	CB60907-1WC50***
1000	1.1	45	3.2	5230	70	70	63	100	174	179	2.28	CB60108-1WG00***
720	0.8	45	5.4	3800	80	80	76	116	95	100	1.20	CB60727-1WB00***
980	1.1	50	5.0	3810	80	79	67	116	120	125	1.50	CB60987-1WB10***
1200	1.2	55	4.9	3860	80	77	65	116	140	145	1.75	CB60128-1WB20***
1200	0.85	40	3.6	7280	100	100	90	116	158	163	2.00	CB60128-1WB30***
1500	1.0	45	3.4	7920	100	100	85	116	174	179	2.20	CB60158-1WC40***
1800	0.8	50	2.7	10910	100	100	90	116	230	235	2.80	CB60188-1WC10***
3200	0.8	60	2.0	14780	100	100	90	136	295	300	4.90	CB60328-1WD10***

900Vdc												
C ( $\mu$ F)	ESR (m $\Omega$ )	Ls (nH)	Rth (K/W)	I (A)	Imax (A)			尺寸 (mm) Dimension			重量 Weight (kg)	产品代码 Part number
					40 $^{\circ}$ C	50 $^{\circ}$ C	60 $^{\circ}$ C	D	H	H1		
290	2.0	45	5.6	1530	63	56	47	76	95	101	0.60	CB60297-1XA50***
400	2.6	50	4.7	1560	61	54	45	76	120	126	0.70	CB60407-1XA30***
480	2.9	55	4.6	1540	58	51	43	76	140	146	0.75	CB60487-1XA20***
480	1.7	40	4.3	2910	70	69	58	76	155	161	0.90	CB60487-1XA70***



CBB60

中星 CBB60 series

◆ 产品尺寸及性能参数: Product Dimension and characteristic data:

900Vdc												
C (μF)	ESR (mΩ)	Ls (nH)	Rth (K/W)	I (A)	Imax (A)			尺寸 (mm) Dimension			重量 Weight (kg)	产品代码 Part number
					40℃	50℃	60℃	D	H	H1		
560	1.8	45	4.2	2960	70	68	58	76	174	180	1.00	CB60567-1XA90***
380	1.6	45	5.1	2010	70	65	55	86	95	101	0.72	CB60387-1XA40***
520	2.1	50	4.7	2020	68	60	50	86	120	126	1.00	CB60527-1XA10***
580	2.2	55	4.6	1950	67	59	50	86	136	142	1.10	CB60587-1XB50***
650	1.5	40	4.4	3940	70	70	62	86	155	161	1.25	CB60657-1XA60***
750	1.6	45	4.3	3960	70	70	60	86	174	180	1.30	CB60757-1XA80***
1100	1.3	55	3.0	5810	70	70	63	86	252	258	1.80	CB60118-1XC80***
500	1.4	45	4.7	2620	70	67	55	100	95	100	1.20	CB60507-1XF60***
700	1.6	50	4.1	2700	70	67	55	100	120	125	1.47	CB60707-1XF70***
800	1.8	55	3.9	2660	70	66	54	100	136	141	1.65	CB60807-1XF80***
850	1.8	55	3.8	2700	70	66	54	100	140	145	1.68	CB60857-1XF90***
900	1.1	40	3.5	5400	70	70	63	100	155	160	1.98	CB60907-1XC50***
1000	1.1	45	3.2	5230	70	70	63	100	174	179	2.28	CB60108-1XG00***
720	0.9	45	5.4	3800	80	80	71	116	95	100	1.20	CB60727-1XB00***
980	1.2	50	5.0	3810	80	76	64	116	120	125	1.50	CB60987-1XB10***
1200	1.4	55	4.9	3860	80	71	60	116	140	145	1.75	CB60128-1XB20***
1200	0.9	40	3.6	7280	100	100	87	116	158	163	2.00	CB60128-1XB30***
1500	1.1	45	3.4	7920	100	96	81	116	174	179	2.20	CB60158-1XC40***
1800	0.8	50	2.7	10910	100	100	90	116	230	235	2.80	CB60188-1XC10***
3200	0.8	60	2.0	14780	100	100	90	136	295	300	4.90	CB60328-1XD10***

1000Vdc												
C (μF)	ESR (mΩ)	Ls (nH)	Rth (K/W)	I (A)	Imax (A)			尺寸 (mm) Dimension			重量 Weight (kg)	产品代码 Part number
					40℃	50℃	60℃	D	H	H1		
220	2.2	45	5.6	1460	60	53	45	76	95	101	0.60	CB60227-3AA50***
300	2.9	50	4.7	1460	57	51	43	76	120	126	0.70	CB60307-3AA30***
360	3.3	55	4.6	1450	54	48	41	76	140	146	0.75	CB60367-3AA20***
360	1.9	40	4.3	2740	70	65	55	76	155	161	0.90	CB60367-3AA70***
420	2.0	45	4.2	2780	70	65	55	76	174	180	1.00	CB60427-3AA90***
290	1.8	45	5.1	1920	70	62	52	86	95	101	0.72	CB60297-3AA40***
400	2.3	50	4.7	1950	65	57	48	86	120	126	1.00	CB60407-3AA10***
470	2.2	55	4.6	1980	67	59	50	86	136	142	1.10	CB60477-3AB50***
480	2.6	55	4.6	1930	61	54	46	86	140	146	1.15	CB60487-3AA00***
500	1.6	40	4.4	3800	70	70	60	86	155	161	1.25	CB60507-3AA60***
560	1.7	45	4.3	3710	70	69	58	86	174	180	1.30	CB60567-3AA80***
900	1.3	55	3.0	5960	70	70	63	86	252	258	1.80	CB60907-3AC80***
380	1.5	45	4.7	2490	70	65	53	100	95	100	1.18	CB60387-3AF60***
500	1.8	50	4.1	2410	70	64	52	100	120	125	1.47	CB60507-3AF70***
600	1.9	55	3.9	2500	70	63	52	100	136	141	1.63	CB60607-3AF80***
650	1.9	55	3.8	2590	70	64	52	100	140	145	1.66	CB60657-3AF90***
650	1.1	40	3.5	4890	70	70	63	100	155	160	1.97	CB60657-3AC50***
780	1.1	45	3.2	5110	70	70	63	100	174	179	2.24	CB60787-3AG00***
540	1.0	45	5.4	3570	80	80	68	116	95	100	1.20	CB60547-3AB00***
740	1.4	50	5.0	3610	80	70	59	116	120	125	1.50	CB60747-3AB10***
900	1.5	55	4.9	3620	78	69	58	116	140	145	1.75	CB60907-3AB20***
900	0.95	40	3.6	6840	100	100	85	116	158	163	2.00	CB60907-3AB30***
1100	1.2	45	3.4	7280	100	92	78	116	174	179	2.20	CB60118-3AC40***
1400	0.9	50	2.7	10630	100	100	90	116	230	235	2.80	CB60148-3AC10***
2500	0.9	60	2.0	14470	100	100	90	136	295	300	4.90	CB60258-3AD10***

◆ 产品尺寸及性能参数: Product Dimension and characteristic data:

1100Vdc												
C (μF)	ESR (mΩ)	Ls (nH)	Rth (K/W)	I (A)	Imax (A)			尺寸 (mm) Dimension			重量 Weight (kg)	产品代码 Part number
					40℃	50℃	60℃	D	H	H1		
180	2.3	45	5.6	1400	59	52	44	76	95	101	0.60	CB60187-3KA50***
250	3.0	50	4.7	1430	56	50	42	76	120	126	0.70	CB60257-3KA30***
300	3.5	55	4.6	1420	53	47	39	76	140	146	0.75	CB60307-3KA20***
310	1.9	40	4.3	2770	70	65	55	76	155	161	0.90	CB60317-3KA70***
360	2.0	45	4.2	2800	70	65	55	76	174	180	1.00	CB60367-3KA90***
240	1.9	45	5.1	1870	68	60	51	86	95	101	0.72	CB60247-3KA40***
330	2.4	50	4.7	1890	63	56	47	86	120	126	1.00	CB60337-3KA10***
420	2.3	55	4.6	2080	65	58	49	86	136	142	1.10	CB60427-3KB50***
420	1.7	40	4.4	3750	70	63	52	86	155	161	1.25	CB60427-3KA60***
500	1.8	45	4.3	3730	70	67	57	86	174	180	1.30	CB60507-3KA80***
750	1.3	55	3.0	5840	70	70	70	86	252	258	1.80	CB60757-3KC80***
350	1.5	45	4.7	2640	70	65	53	100	95	100	1.19	CB60357-3KF60***
450	1.8	50	4.1	2500	70	63	51	100	120	125	1.49	CB60457-3KF70***
520	2.0	55	3.9	2500	70	62	50	100	136	141	1.67	CB60527-3KF80***
550	2.1	55	3.8	2520	70	62	51	100	140	145	1.71	CB60557-3KF90***
580	1.1	40	3.5	5020	70	70	63	100	155	160	2.00	CB60587-3KC50***
650	1.2	45	3.2	4900	70	70	63	100	174	179	2.30	CB60657-3KG00***
450	1.0	45	5.4	3500	80	80	68	116	95	100	1.20	CB60457-3KB00***
620	1.4	50	5.0	3550	80	70	59	116	120	125	1.50	CB60627-3KB10***
750	1.6	55	4.9	3550	75	66	56	116	140	145	1.75	CB60757-3KB20***
780	0.9	40	3.6	6960	100	100	85	116	158	163	2.00	CB60787-3KB30***
920	1.1	45	3.4	7150	100	96	81	116	174	179	2.20	CB60927-3KC40***
1200	0.9	50	2.7	10710	100	100	90	116	230	235	2.80	CB60128-3KC10***
2200	0.9	60	2.0	14960	100	100	90	136	295	300	4.90	CB60228-3KD10***

1200Vdc												
C (μF)	ESR (mΩ)	Ls (nH)	Rth (K/W)	I (A)	Imax (A)			尺寸 (mm) Dimension			重量 Weight (kg)	产品代码 Part number
					40℃	50℃	60℃	D	H	H1		
140	2.7	45	5.6	1330	55	48	41	76	95	101	0.60	CB60147-3LA50***
200	3.4	50	4.7	1400	53	47	40	76	120	126	0.70	CB60207-3LA30***
240	3.9	55	4.6	1380	50	44	37	76	140	146	0.75	CB60247-3LA20***
240	2.0	40	4.3	2630	70	64	54	76	155	161	0.90	CB60247-3LA70***
280	2.1	45	4.2	2670	70	63	53	76	174	180	1.00	CB60287-3LA90***
190	2.1	45	5.1	1810	65	57	48	86	95	101	0.72	CB60197-3LA40***
260	2.7	50	4.7	1810	60	53	44	86	120	126	1.00	CB60267-3LA10***
320	2.5	55	4.6	1930	63	55	47	86	136	142	1.10	CB60327-3LB50***
330	3.0	55	4.6	1900	57	50	43	86	140	146	1.15	CB60337-3LA00***
330	1.8	40	4.4	3610	70	66	56	86	155	161	1.25	CB60337-3LA60***
380	1.9	45	4.3	3610	70	65	55	86	174	180	1.30	CB60387-3LA80***
580	1.5	55	3.0	5520	70	70	63	86	252	258	1.80	CB60587-3LC80***
250	1.7	45	4.7	2320	70	61	50	100	95	100	1.19	CB60257-3LF60***
350	2.0	50	4.1	2390	70	61	50	100	120	125	1.45	CB60357-3LF70***
400	2.2	55	3.9	2360	69	59	49	100	136	141	1.63	CB60407-3LF80***
420	2.2	55	3.8	2370	69	59	49	100	140	145	1.67	CB60427-3LF90***
450	1.2	40	3.5	4790	70	70	63	100	155	160	1.96	CB60457-3LC50***
500	1.2	45	3.2	4640	70	70	63	100	174	179	2.26	CB60507-3LG00***
360	1.1	45	5.4	3420	80	76	64	116	95	100	1.20	CB60367-3LB00***



CBB60

CBB60 series

◆ 产品尺寸及性能参数: Product Dimension and characteristic data:

1200Vdc												
C ( $\mu$ F)	ESR (m $\Omega$ )	Ls (nH)	Rth (K/W)	I (A)	Imax (A)			尺寸 (mm) Dimension			重量 Weight (kg)	产品代码 Part number
					40 $^{\circ}$ C	50 $^{\circ}$ C	60 $^{\circ}$ C	D	H	H1		
500	1.6	50	5.0	3490	75	66	55	116	120	125	1.50	CB60507-3LB10***
600	1.8	55	4.9	3450	71	63	53	116	140	145	1.75	CB60607-3LB20***
620	1.0	40	3.6	6780	100	98	83	116	158	163	2.00	CB60627-3LB30***
720	1.2	45	3.4	6740	100	92	78	116	174	179	2.20	CB60727-3LC40***
950	0.9	50	2.7	10210	100	100	90	116	230	235	2.80	CB60957-3LC10***
1700	0.9	60	2.0	13920	100	100	90	136	295	300	4.90	CB60178-3LD10***

1300Vdc												
C ( $\mu$ F)	ESR (m $\Omega$ )	Ls (nH)	Rth (K/W)	I (A)	Imax (A)			尺寸 (mm) Dimension			重量 Weight (kg)	产品代码 Part number
					40 $^{\circ}$ C	50 $^{\circ}$ C	60 $^{\circ}$ C	D	H	H1		
120	2.9	45	5.6	1310	53	46	39	76	95	101	0.60	CB60127-3YA50***
170	3.7	50	4.7	1360	51	45	38	76	120	126	0.70	CB60177-3YA30***
210	4.1	55	4.6	1390	49	43	36	76	140	146	0.75	CB60217-3YA20***
210	2.1	40	4.3	2640	70	62	53	76	155	161	0.90	CB60217-3YA70***
240	2.3	45	4.2	2620	68	60	51	76	174	180	1.00	CB60247-3YA90***
170	2.2	45	5.1	1850	63	56	47	86	95	101	0.72	CB60177-3YA40***
230	2.8	50	4.7	1840	58	52	44	86	120	126	1.00	CB60237-3YA10***
270	2.8	55	4.6	1860	59	52	44	86	136	142	1.10	CB60277-3YB50***
270	3.3	55	4.6	1780	54	48	41	86	140	146	1.15	CB60277-3YA00***
280	1.8	40	4.4	3510	70	66	56	86	155	161	1.25	CB60287-3YA60***
320	1.9	45	4.3	3490	70	65	55	86	174	180	1.30	CB60327-3YA80***
520	1.5	55	3.0	5670	70	70	67	86	252	258	1.80	CB60527-3YC80***
210	1.8	45	4.7	2270	69	60	49	100	95	100	1.19	CB60217-3YF60***
280	2.1	50	4.1	2230	67	58	48	100	120	125	1.47	CB60287-3YF70***
330	2.3	55	3.9	2270	66	57	47	100	136	141	1.64	CB60337-3YF80***
360	2.3	55	3.8	2370	67	58	47	100	140	145	1.67	CB60367-3YF90***
380	1.2	40	3.5	4720	70	70	69	100	155	160	1.96	CB60387-3YC50***
420	1.3	45	3.2	4540	70	70	63	100	174	179	2.26	CB60427-3YG00***
320	1.2	45	5.4	3490	80	73	62	116	95	100	1.20	CB60327-3YB00***
430	1.6	50	5.0	3440	75	66	55	116	120	125	1.50	CB60437-3YB10***
520	1.8	55	4.9	3430	71	63	53	116	140	145	1.75	CB60527-3YB20***
540	1.0	40	3.6	6770	100	98	83	116	158	163	2.00	CB60547-3YB30***
630	1.2	45	3.4	6760	100	92	78	116	174	179	2.20	CB60637-3YC40***
820	0.9	50	2.7	10100	100	100	90	116	230	235	2.80	CB60827-3YC10***
1500	1.0	60	2.0	14080	100	100	90	136	295	300	4.90	CB60158-3YD10***

1400Vdc												
C ( $\mu$ F)	ESR (m $\Omega$ )	Ls (nH)	Rth (K/W)	I (A)	Imax (A)			尺寸 (mm) Dimension			重量 Weight (kg)	产品代码 Part number
					40 $^{\circ}$ C	50 $^{\circ}$ C	60 $^{\circ}$ C	D	H	H1		
100	3.1	45	5.6	1260	51	45	38	76	95	101	0.60	CB60107-3MA50***
140	4.0	50	4.7	1290	49	43	36	76	120	126	0.70	CB60147-3MA30***
170	4.6	55	4.6	1290	46	41	34	76	140	146	0.75	CB60177-3MA20***
170	2.3	40	4.3	2460	67	59	50	76	155	161	0.90	CB60177-3MA70***
200	2.4	45	4.2	2520	67	59	50	76	174	180	1.00	CB60207-3MA90***
140	2.4	45	5.1	1760	61	53	45	86	95	101	0.72	CB60147-3MA40***

◆ 产品尺寸及性能参数: Product Dimension and characteristic data:

1400Vdc												
C ( $\mu$ F)	ESR (m $\Omega$ )	Ls (nH)	Rth (K/W)	I (A)	Imax (A)			尺寸 (mm) Dimension			重量 Weight (kg)	产品代码 Part number
					40 $^{\circ}$ C	50 $^{\circ}$ C	60 $^{\circ}$ C	D	H	H1		
190	3.1	50	4.7	1750	56	49	41	86	120	126	1.00	CB60197-3MA10***
230	2.9	55	4.6	1800	58	51	43	86	136	142	1.10	CB60237-3MB50***
240	1.9	40	4.4	3470	70	65	55	86	155	161	1.25	CB60247-3MA60***
270	2.1	45	4.3	3400	70	62	53	86	174	180	1.30	CB60277-3MA80***
420	1.5	55	3.0	5210	70	70	63	86	252	258	1.80	CB60427-3MC80***
180	1.8	45	4.7	2240	68	59	48	100	95	100	1.19	CB60187-3MF60***
250	2.2	50	4.1	2300	67	58	47	100	120	125	1.45	CB60257-3MF70***
290	2.4	55	3.9	2300	65	57	46	100	136	141	1.63	CB60297-3MF80***
320	1.2	40	3.5	4580	70	70	68	100	155	160	1.96	CB60327-3MC50***
360	1.3	45	3.2	4490	70	70	69	100	174	179	2.26	CB60367-3MG00***
260	1.3	45	5.4	3220	80	70	59	116	95	100	1.20	CB60267-3MB00***
360	1.8	50	5.0	3280	70	62	52	116	120	125	1.50	CB60367-3MB10***
450	2.0	55	4.9	3390	67	59	50	116	140	145	1.75	CB60457-3MB20***
460	1.1	40	3.6	6540	100	94	79	116	158	163	2.00	CB60467-3MB30***
540	1.3	45	3.4	6690	89	79	66	116	174	179	2.20	CB60547-3MC40***
700	0.9	50	2.7	9950	100	94	79	116	230	235	2.80	CB60707-3MC10***
1300	1.05	60	2.0	14080	100	100	97	136	295	300	4.90	CB60138-3MD10***

1500Vdc												
C ( $\mu$ F)	ESR (m $\Omega$ )	Ls (nH)	Rth (K/W)	I (A)	Imax (A)			尺寸 (mm) Dimension			重量 Weight (kg)	产品代码 Part number
					40 $^{\circ}$ C	50 $^{\circ}$ C	60 $^{\circ}$ C	D	H	H1		
90	3.3	45	5.6	1220	49	44	37	76	95	101	0.60	CB60906-4BA50***
120	4.4	50	4.7	1200	47	41	35	76	120	126	0.70	CB60127-4BA30***
150	4.9	55	4.6	1230	45	39	33	76	140	146	0.75	CB60157-4BA20***
150	2.4	40	4.3	2340	66	58	49	76	155	161	0.90	CB60157-4BA70***
170	2.5	45	4.2	2310	65	58	49	76	174	180	1.00	CB60177-4BA90***
120	2.6	45	5.1	1630	58	51	43	86	95	101	0.72	CB60127-4BA40***
170	3.3	50	4.7	1690	54	48	40	86	120	126	1.00	CB60177-4BA10***
200	3.0	55	4.6	1720	57	50	43	86	136	142	1.10	CB60207-4BB50***
210	2.0	40	4.4	3280	70	63	53	86	155	161	1.25	CB60217-4BA60***
240	2.1	45	4.3	3260	70	62	53	86	174	180	1.30	CB60247-4BA80***
380	1.5	55	3.0	5080	70	70	63	86	252	258	1.80	CB60387-4BC80***
160	1.9	45	4.7	2150	67	58	47	100	95	100	1.18	CB60167-4BF60***
210	2.3	50	4.1	2080	65	56	46	100	120	125	1.46	CB60217-4BF70***
250	2.5	55	3.9	2140	64	55	45	100	136	141	1.63	CB60257-4BF80***
280	1.3	40	3.5	4320	70	70	67	100	155	160	1.96	CB60287-4BC50***
320	1.3	45	3.2	4300	70	70	68	100	174	179	2.24	CB60327-4BG00***
230	1.4	45	5.4	3120	77	68	57	116	95	100	1.20	CB60237-4BB00***
320	1.9	50	5.0	3180	68	60	51	116	120	125	1.50	CB60327-4BB10***
390	2.1	55	4.9	3200	66	58	49	116	140	145	1.75	CB60397-4BB20***
420	1.1	40	3.6	6550	100	94	79	116	158	163	2.00	CB60427-4BB30***
470	1.3	45	3.4	6280	89	79	66	116	174	179	2.20	CB60477-4BC40***
600	1.0	50	2.7	9200	100	89	75	116	230	235	2.80	CB60607-4BC10***
1100	1.1	60	2.0	12850	100	100	95	136	295	300	4.90	CB60118-4BD10***





CBB60

中星 CBB60 series

◆ 产品尺寸及性能参数: Product Dimension and characteristic data:

2000Vdc												
C ( $\mu$ F)	ESR (m $\Omega$ )	Ls (nH)	Rth (K/W)	I (A)	Imax (A)			尺寸 (mm) Dimension			重量 Weight (kg)	产品代码 Part number
					40 $^{\circ}$ C	50 $^{\circ}$ C	60 $^{\circ}$ C	D	H	H1		
110	3.5	65	4.5	1830	48	42	35	86	140	146	1.05	CB60117-3DA00***
180	1.8	60	3.2	3660	78	69	58	86	225	231	1.65	CB60187-3DB40***
180	2.1	60	3.5	3660	70	61	52	116	120	125	1.60	CB60187-3DB10***
220	2.3	65	3.3	3660	69	60	51	116	140	145	1.85	CB60227-3DB20***
260	1.1	55	2.9	7360	100	93	79	116	174	179	2.30	CB60267-3DC40***
360	1.3	60	2.4	7330	100	93	79	116	225	230	2.85	CB60367-3DD50***
250	1.8	60	2.9	5090	78	67	55	136	120	125	2.15	CB60257-3DF00***
310	2.0	65	2.7	5150	77	66	54	136	140	145	2.45	CB60317-3DF10***
360	1.0	55	2.4	10200	100	99	81	136	175	180	3.15	CB60367-3DF20***
500	1.2	60	2.1	10100	100	98	80	136	225	230	3.90	CB60507-3DF30***
610	1.3	60	1.9	10100	100	98	80	136	265	270	4.50	CB60617-3DF40***

2200Vdc												
C ( $\mu$ F)	ESR (m $\Omega$ )	Ls (nH)	Rth (K/W)	I (A)	Imax (A)			尺寸 (mm) Dimension			重量 Weight (kg)	产品代码 Part number
					40 $^{\circ}$ C	50 $^{\circ}$ C	60 $^{\circ}$ C	D	H	H1		
90	3.7	65	4.5	1790	46	41	34	86	140	146	1.05	CB60906-4LA00***
150	1.9	60	3.2	3670	77	68	57	86	225	231	1.65	CB60157-4LB40***
140	2.2	60	3.6	3420	67	59	50	116	120	125	1.60	CB60147-4LB10***
170	2.5	65	3.3	3390	66	58	49	116	140	145	1.85	CB60177-4LB20***
210	1.1	55	2.9	7150	100	91	77	116	174	179	2.30	CB60217-4LC40***
290	1.4	60	2.4	7100	100	91	77	116	225	230	2.90	CB60297-4LD50***
200	1.9	60	2.9	4890	76	66	54	136	120	125	2.15	CB60207-4LF00***
250	2.1	65	2.7	4990	75	65	53	136	140	145	2.45	CB60257-4LF10***
290	1.0	55	2.4	9870	100	97	79	136	175	180	3.15	CB60297-4LF20***
400	1.2	60	2.1	9790	100	96	79	136	225	230	3.90	CB60407-4LF30***
500	1.4	60	1.9	9990	100	97	79	136	265	270	4.50	CB60507-4LF40***

2400Vdc												
C ( $\mu$ F)	ESR (m $\Omega$ )	Ls (nH)	Rth (K/W)	I (A)	Imax (A)			尺寸 (mm) Dimension			重量 Weight (kg)	产品代码 Part number
					40 $^{\circ}$ C	50 $^{\circ}$ C	60 $^{\circ}$ C	D	H	H1		
75	3.9	65	4.5	1770	45	40	33	86	140	146	1.05	CB60756-4MA00***
120	2.0	60	3.2	3470	74	65	55	86	225	231	1.65	CB60127-4MB40***
120	2.3	60	3.6	3470	66	58	49	116	120	125	1.60	CB60127-4MB10***
140	2.6	65	3.3	3310	64	56	47	116	140	145	1.85	CB60147-4MB20***
170	1.2	55	2.9	6840	100	89	75	116	174	179	2.30	CB60177-4MC40***
240	1.4	60	2.5	6940	100	89	75	116	225	230	2.85	CB60247-4MD50***
160	2.0	60	3.0	4630	73	63	52	136	120	125	2.20	CB60167-4MF00***
200	2.2	65	2.8	4720	72	63	51	136	140	145	2.50	CB60207-4MF10***
240	1.1	55	2.5	9660	100	95	78	136	175	180	3.15	CB60247-4MF20***
330	1.3	60	2.1	9550	100	94	77	136	225	230	3.90	CB60337-4MF30***
410	1.4	60	1.9	9690	100	95	77	136	265	270	4.50	CB60417-4MF40***

◆ 产品尺寸及性能参数: Product Dimension and characteristic data:

2600Vdc												
C ( $\mu$ F)	ESR (m $\Omega$ )	Ls (nH)	Rth (K/W)	I (A)	Imax (A)			尺寸 (mm) Dimension			重量 Weight (kg)	产品代码 Part number
					40 $^{\circ}$ C	50 $^{\circ}$ C	60 $^{\circ}$ C	D	H	H1		
63	4.1	65	4.5	1730	43	38	32	86	140	146	1.05	CB60636-4CA00***
100	2.1	60	3.2	3370	72	63	53	86	225	231	1.65	CB60107-4CB40***
100	2.4	60	3.6	3370	64	57	48	116	120	125	1.60	CB60107-4CB10***
120	2.7	65	3.3	3310	63	55	47	116	140	145	1.85	CB60127-4CB20***
140	1.2	55	2.9	6570	98	87	73	116	174	179	2.30	CB60147-4CC40***
200	1.5	60	2.5	6750	99	87	73	116	225	230	2.85	CB60207-4CD50***
140	2.0	60	3.0	4730	73	63	51	136	120	125	2.15	CB60147-4CF00***
170	2.3	65	2.8	4690	71	62	50	136	140	145	2.45	CB60177-4CF10***
200	1.1	55	2.5	9390	100	94	76	136	175	180	3.15	CB60207-4CF20***
280	1.3	60	2.1	9590	100	93	76	136	225	230	3.90	CB60287-4CF30***

2800Vdc												
C ( $\mu$ F)	ESR (m $\Omega$ )	Ls (nH)	Rth (K/W)	I (A)	Imax (A)			尺寸 (mm) Dimension			重量 Weight (kg)	产品代码 Part number
					40 $^{\circ}$ C	50 $^{\circ}$ C	60 $^{\circ}$ C	D	H	H1		
54	4.3	65	4.5	1710	42	37	32	86	140	146	1.05	CB60546-4WA00***
88	2.2	60	3.2	3430	71	62	53	86	225	231	1.65	CB60886-4WB40***
86	2.5	60	3.6	3350	63	56	47	116	120	125	1.60	CB60866-4WB10***
100	2.9	65	3.4	3180	61	53	45	116	140	145	1.85	CB60107-4WB20***
120	1.3	55	2.9	6500	97	85	72	116	174	179	2.30	CB60127-4WC40***
170	1.5	60	2.5	6620	96	85	72	116	225	230	2.85	CB60177-4WD50***
120	2.1	60	3.0	4680	71	62	51	136	120	125	2.15	CB60127-4WF00***
140	2.4	65	2.8	4450	69	59	49	136	140	145	2.50	CB60147-4WF10***
170	1.1	55	2.5	9210	100	92	75	136	175	180	3.15	CB60177-4WF20***
240	1.3	60	2.1	9350	100	92	75	136	225	230	3.90	CB60247-4WF30***
290	1.5	60	1.9	9230	100	91	74	136	265	270	4.50	CB60297-4WF40***

3000Vdc												
C ( $\mu$ F)	ESR (m $\Omega$ )	Ls (nH)	Rth (K/W)	I (A)	Imax (A)			尺寸 (mm) Dimension			重量 Weight (kg)	产品代码 Part number
					40 $^{\circ}$ C	50 $^{\circ}$ C	60 $^{\circ}$ C	D	H	H1		
46	4.6	65	4.6	1570	41	36	30	86	140	146	1.05	CB60466-3FA00***
75	2.3	60	3.2	3150	69	61	51	86	225	231	1.65	CB60756-3FB40***
74	2.6	60	3.6	3110	62	54	46	116	120	125	1.60	CB60746-3FB10***
90	2.9	65	3.3	3090	60	53	45	116	140	145	1.80	CB60906-3FB20***
100	1.3	55	3.0	5840	94	83	70	116	174	179	2.35	CB60107-3FC40***
140	1.6	60	2.5	5880	93	82	69	116	225	230	2.90	CB60147-3FD50***
100	2.2	60	3.0	4200	69	60	49	136	120	125	2.15	CB60107-3FF00***
120	2.5	65	2.8	4120	67	58	47	136	140	145	2.50	CB60127-3FF10***
140	1.2	55	2.5	8180	100	89	73	136	175	180	3.15	CB60147-3FF20***
200	1.4	60	2.2	8400	100	89	73	136	225	230	3.90	CB60207-3FF30***
250	1.6	60	1.9	8580	100	89	73	136	265	270	4.50	CB60257-3FF40***



CBB60

中星 CBB60 series

◆ 产品尺寸及性能参数: Product Dimension and characteristic data:

3200Vdc												
C ( $\mu$ F)	ESR (m $\Omega$ )	Ls (nH)	Rth (K/W)	I (A)	Imax (A)			尺寸 (mm) Dimension			重量 Weight (kg)	产品代码 Part number
					40 $^{\circ}$ C	50 $^{\circ}$ C	60 $^{\circ}$ C	D	H	H1		
40	4.9	65	4.6	1470	40	35	30	86	140	146	1.05	CB60406-3ZA00***
65	2.4	60	3.2	2930	67	59	50	86	225	231	1.65	CB60656-3ZB40***
64	2.7	60	3.6	2880	60	53	45	116	120	125	1.60	CB60646-3ZB10***
78	3.1	65	3.4	2870	59	52	44	116	140	145	1.80	CB60786-3ZB20***
92	1.3	55	3.0	5760	94	83	70	116	174	179	2.30	CB60926-3ZC40***
120	1.7	60	2.5	5410	91	80	68	116	225	230	2.90	CB60127-3ZD50***
90	2.2	60	3.0	4050	69	59	49	136	120	125	2.15	CB60906-3ZF00***
110	2.5	65	2.8	4050	67	58	47	136	140	145	2.45	CB60117-3ZF10***
120	1.2	55	2.6	7520	100	87	71	136	175	180	3.20	CB60127-3ZF20***
180	1.4	60	2.2	8110	100	89	72	136	225	230	3.85	CB60187-3ZF30***
220	1.6	60	1.9	8100	100	88	72	136	265	270	4.45	CB60227-3ZF40***

3600Vdc												
C ( $\mu$ F)	ESR (m $\Omega$ )	Ls (nH)	Rth (K/W)	I (A)	Imax (A)			尺寸 (mm) Dimension			重量 Weight (kg)	产品代码 Part number
					40 $^{\circ}$ C	50 $^{\circ}$ C	60 $^{\circ}$ C	D	H	H1		
28	4.0	65	4.6	1650	43	38	32	86	140	146	1.10	CB60286-4ZA00***
45	2.0	60	3.3	3290	72	64	54	86	225	231	1.70	CB60456-4ZB40***
44	2.3	60	3.7	3220	64	57	48	116	120	125	1.65	CB60446-4ZB10***
54	2.7	65	3.4	3190	63	55	47	116	140	145	1.90	CB60546-4ZB20***
88	1.4	60	2.5	6440	98	87	73	116	225	230	3.00	CB60886-4ZD50***
110	1.6	60	2.3	6510	97	85	72	116	265	270	3.45	CB60117-4ZE90***
61	2.0	60	3.0	4460	72	63	51	136	120	125	2.25	CB60616-4ZF00***
75	2.3	65	2.8	4440	71	61	50	136	140	145	2.55	CB60756-4ZF10***
120	1.3	60	2.2	8780	100	92	75	136	225	230	4.05	CB60127-4ZF30***
150	1.5	60	2.0	8880	100	92	75	136	265	270	4.70	CB60157-4ZF40***

4000Vdc												
C ( $\mu$ F)	ESR (m $\Omega$ )	Ls (nH)	Rth (K/W)	I (A)	Imax (A)			尺寸 (mm) Dimension			重量 Weight (kg)	产品代码 Part number
					40 $^{\circ}$ C	50 $^{\circ}$ C	60 $^{\circ}$ C	D	H	H1		
24	4.2	65	4.6	1650	42	37	32	86	140	146	1.10	CB60246-3GA00***
38	2.1	60	3.3	3230	70	62	53	86	225	231	1.70	CB60386-3GB40***
37	2.4	60	3.7	3140	63	55	47	116	120	125	1.65	CB60376-3GB10***
46	2.8	65	3.4	3160	61	54	46	116	140	145	1.90	CB60466-3GB20***
74	1.5	60	2.5	6290	96	85	72	116	225	230	3.00	CB60746-3GD50***
92	1.7	60	2.3	6330	94	83	70	116	265	270	3.45	CB60926-3GE90***
52	2.1	60	3.0	4420	71	62	50	136	120	125	2.25	CB60526-3GF00***
64	2.3	65	2.8	4400	69	60	49	136	140	145	2.55	CB60646-3GF10***
100	1.3	60	2.2	8500	100	90	73	136	225	230	4.05	CB60107-3GF30***
130	1.5	60	2.0	8940	100	91	37	136	265	270	4.65	CB60137-3GF40***

备注:

“-” : 客户要求的容量偏差

“\*\*\*” : 引出端代码 (见表 1)

ESR 是频率 1KHz 时的典型值

Imax 是指在环境温度 (40 $^{\circ}$ C, 50 $^{\circ}$ C, 60 $^{\circ}$ C) 下的最大允许电流有效值。在该条件下, 外壳热点温度达到最大值。

“-”=custom's capacitor tolerance code, K= $\pm$ 10%

“\*\*\*”= Terminal code (refer to table 1)

ESR typical values at f= 1KHz

Imax is maximum allowable R.M.S current at Tamb(40 $^{\circ}$ C, 50 $^{\circ}$ C, 60 $^{\circ}$ C).The  $\theta_{hs}$  will reach the maximum value on this condition.

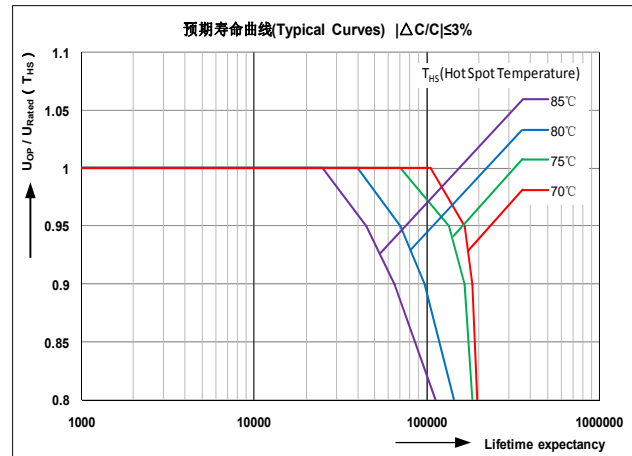
◆ 电流对于海拔的降额

**The Current Decreasing Factor of Altitude:**

海拔 Altitude	系数 Decreasing factor
≤2000	1.00
2500m	0.98
3000m	0.96
3500m	0.93
4000m	0.91
4500m	0.89

◆ 预期寿命曲线

**Expected Lifetime curves**



◆ 可靠性 Reliability

Test description	Reference	Test conditions	Determine criteria
极间耐压 Voltage test between terminals	IEC 61071	1.5 x $U_{NDC}$ at $T_{amb}$ Duration: 60 s	No visible damage $ \Delta C/C : \leq 0.5\%$ $\tan \delta: \leq 1.2$ initial $\tan \delta + 1 \times 10^{-4}$ at 10KHz $R_{ins}: \geq 50\%$ of IR limit
放电实验 Surge discharge test	IEC 61071	1.1 x $U_{NDC}$ Number of discharges: 5(within 10 minutes)	No visible damage $ \Delta C/C : \leq 1.0\%$ $\tan \delta: \leq 1.2$ initial $\tan \delta + 1 \times 10^{-4}$ at 10KHz $R_{ins}: \geq 50\%$ of IR limit
温度变化 Change of temperature	IEC 60068-2-14	$T_{max.} = 85\text{ }^\circ\text{C}$ $T_{min.} = -40\text{ }^\circ\text{C}$ Transition time: 1 h, equivalent to $1^\circ\text{C}/\text{min}$ 5 cycles	No visible damage $ \Delta C/C : \leq 2.0\%$ Increase of $\tan \delta: \leq 150 \times 10^{-4}$ at 10KHz $R_{ins}: \geq 50\%$ of IR limit
耐湿性 Damp heat steady	IEC 60068-2-78	$T_{max.} = 40\text{ }^\circ\text{C}$ RH = 93 % Duration 56 days	No visible damage $ \Delta C/C : \leq 2.0\%$ Increase of $\tan \delta: \leq 150 \times 10^{-4}$ at 10KHz $R_{ins}: \geq 50\%$ of IR limit
耐久性 Endurance test between terminals	IEC 61071	1.3 x $U_{NDC}$ at $T_{max.} = 85\text{ }^\circ\text{C}$ Duration 500 h 1000 x discharge at $1.4 \times I$ (repetitive peak current in continuous operation) 1.3 x $U_{NDC}$ at $T_{max.} = 85\text{ }^\circ\text{C}$ Duration 500 h	No visible damage $ \Delta C/C : \leq 3.0\%$ Increase of $\tan \delta: \leq 150 \times 10^{-4}$ at 10KHz $R_{ins}: \geq 50\%$ of IR limit
自愈性测试 Self healing test	IEC 61071	1.5 x $U_{NDC}$ Duration 10 sec, Number of Self healing $\leq 5$ , increase the voltage at 100 V/s till 5, with a max. of $2.5 \times U_{NDC}$ for a duration of 10 sec	No visible damage $ \Delta C/C : \leq 0.5\%$ $\tan \delta: \leq 1.1$ initial $\tan \delta + 1 \times 10^{-4}$ at 10KHz
振动 Vibration	IEC60068	$f=10\text{ Hz to }55\text{ Hz}$ , $a=\pm 0.35\text{ mm}$ Test duration per axis = 10 frequency cycles (3 axes offset from each other by $90^\circ$ ) 1 octave/min, the total times are 135 min for 3axes	No visible damage



CBB60A  
CBB60A series

## CBB60A 型车规级 DC-Link 电容器(PCB)

### CBB60A Type DC-Link Capacitor (HEV/EV、PCB)

< 60°C/93%RH /1000h / U<sub>NDC</sub> >

#### ◆ 外形尺寸图及产品结构 Outline Drawing and Capacitor Construction

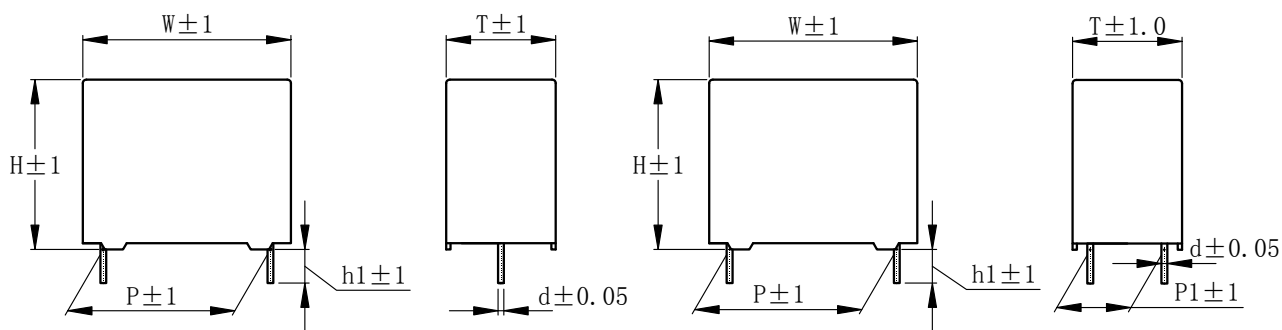


图 1: 2Pins

图 2: 4Pins

#### ◆ 特点及用途 Application and Feature

安全膜设计、自感小、等效串联电阻小、大纹波电流承受能力，通常用于汽车电控、新能源逆变器、UPS 等直流母线滤波电路当中。Metallized polypropylene segmented film structure, Low ESL, Low ESR, Support high ripple current, especially used in DC-Link circuit for Electro-controlled Clutch for HEV/EV, Renewable energies inverter, UPS.

#### ◆ 技术要求 Specifications

参照标准 Reference Standard	AEC-Q200	
气候类别 Climatic Category	40/85/56	
额定电压 Rated Voltage	450Vdc、500Vdc、600Vdc、800Vdc	
工作温度范围(热点) Operation Temperature Range (Hot Spot)	-40°C~105°C	
电容量 Capacitance Range	22.0μF~120μF	
电容量偏差 Capacitance Tolerance	±5%(J)、±10%(K) (20±5°C, 1kHz)	
耐电压 Voltage Proof	极间 Between Terminals	U=1.5U <sub>NDC</sub> (20°C, 10s)
	极壳 Between Terminals to Case	2000Vac (10s), 50Hz
绝缘电阻 Insulation Resistance	IR × C ≥ 10 000s (20°C, 100Vdc, 1min)	
最大峰值电流 I <sup>∧</sup> (A) Maximum Peak Current(A)	I <sup>∧</sup> = C <sub>R</sub> × dv/dt	
过电压 Over Voltage	一天之内的最长持续时间 Maximum Duration within Day	说明 Observation
	1.1 U <sub>NDC</sub> (30% of on-load-dur.)	系统调整 System Regulation
	1.15 U <sub>NDC</sub> (30min/day)	
	1.2 U <sub>NDC</sub> (5min/day)	
	1.3 U <sub>NDC</sub> (1min/day)	

◆ 产品代码编写说明: Part number code system:

16 位产品代码如下: The 16 digits part number is formed as follow:

1    2    3    4    5    6    7    8    9    10    11    12    13    14    15    16

C	6	0	A												
---	---	---	---	--	--	--	--	--	--	--	--	--	--	--	--

第 1~4 位	薄膜电容器系列代码 C60A=CBB60A	Digit 1~4	Series code of film capacitor C60A=CBB60A
第 5~7 位	标称容量代码 举例: 105=10×10 <sup>5</sup> pF=1μF	Digit 5~7	Rated capacitance value code For example:105=10×10 <sup>5</sup> pF=1μF
第 8 位	容量等级代码 J=±5% K=±10%	Digit 8	Capacitance tolerance code J=±5% K=±10%
第 9~10 位	直流额定电压代码 2S=450V    2H=500V    1U=600V 1W=800V	Digit 9~10	DC rated voltage code 2S=450V    2H=500V    1U=600V 1W=800V
第 11 位	引线间距 B=27.5mm    E=37.5mm    G=52.5mm	Digit 11	Pitch B=27.5mm    E=37.5mm    G=52.5mm
第 12 位	内部特征码	Digit 12	Internal use
第 13~16 位	引出端代码 见表 1	Digit 13~16	Terminals code Referring to table 1
表 1	引线形式代码	Table 1	Lead form code

第13位 Digit13		第14~15位 Digit14~Digit15		第 16 位 Digit16	
引线形式及P1 Lead form and pitch P1		引线长度 Lead length		引线长度偏差 Length tolerance	
代码 Code	说明 explanation	代码 Code	说明 explanation	代码 Code	说明 explanation
0	2Pins P1=0mm	00	标准引线长度5.5mm standard lead length 5.5mm	0	引线长度偏差±1.0mm Length tolerance±1.0mm
1	4Pins P1=5.1mm				
2	4Pins P1=10.2mm				
3	4Pins P1=12.7mm				
4	4Pins P1=15.2mm				
5	4Pins P1=20.3mm				



# CBB60A

CBB60A series

## ◆ 产品尺寸及性能参数: Product Dimension and Characteristic Data:

U <sub>NDC</sub> (105°C): 450Vdc												
C (μF)	W	H	T	P	P1	d	dv/dt (V/μs)	tgδ×(10 <sup>-4</sup> )		ESR (mΩ)	I <sub>RMS</sub> (A)	产品代码 Part number
								1KHz	10KHz			
33	32	37	22	27.5	10.2	0.8	19	14	140	5.5	12	C60A336-SB02***
30	42	33.5	18.5	37.5	10.2	1	13	140	140	6.4	11	C60A306-2SE02***
45	42	40	20	37.5	10.2	1	13	17	170	5.2	13.5	C60A456-2SE02***
60	42	44	24	37.5	10.2	1	13	20	200	4.6	15.5	C60A606-2SE02***
75	42	45	30	37.5	20.3	1.2	13	22	220	3.6	19	C60A756-2SE05***
90	42	50	30	37.5	20.3	1.2	13	26	260	3.4	20	C60A906-2SE05***
100	57	45	30	52.5	20.3	1.2	10	28	280	4.0	20	C60A107-2SG05***
120	57	50	30	52.5	20.3	1.2	10	30	300	3.6	22	C60A127-2SG05***

U <sub>NDC</sub> (105°C): 500Vdc												
C (μF)	W	H	T	P	P1	d	dv/dt (V/μs)	tgδ×(10 <sup>-4</sup> )		ESR (mΩ)	I <sub>RMS</sub> (A)	产品代码 Part number
								1KHz	10KHz			
22	32	37	22	27.5	10.2	0.8	23	11	110	6.2	11	C60A226-2HB02***
22	42	33.5	18.5	37.5	10.2	1	16	12	120	7.5	10	C60A226-2HE02***
30	42	40	20	37.5	10.2	1	16	14	140	6.3	12.5	C60A306-2HE02***
42	42	44	24	37.5	10.2	1	16	16	160	5.2	14.5	C60A426-2HE02***
55	42	45	30	37.5	20.3	1.2	16	17	170	3.7	18.5	C60A556-2HE05***
60	42	50	30	37.5	20.3	1.2	16	18	180	3.6	19.5	C60A606-2HE05***
75	57	45	30	52.5	20.3	1.2	11	22	220	4.1	19.5	C60A756-2HG05***
85	57	50	30	52.5	20.3	1.2	11	23	230	3.9	21	C60A856-2HG05***
100	57	50	35	52.5	20.3	1.2	11	25	250	3.5	23	C60A107-2HG05***

U <sub>NDC</sub> (105°C): 600Vdc												
C (μF)	W	H	T	P	P1	d	dv/dt (V/μs)	tgδ×(10 <sup>-4</sup> )		ESR (mΩ)	I <sub>RMS</sub> (A)	产品代码 Part number
								1KHz	10KHz			
22	42	40	20	37.5	10.2	1.0	18	11	110	6.7	12	C60A226-1UE02***
30	42	44	24	37.5	10.2	1.0	18	13	130	5.6	14	C60A306-1UE02***
40	42	45	30	37.5	20.3	1.2	18	14	140	4.0	18	C60A406-1UE05***
45	42	50	30	37.5	20.3	1.2	18	16	160	3.9	19	C60A456-1UE05***
50	57	45	30	52.5	20.3	1.2	13	17	170	5.0	17.5	C60A506-1UG05***
60	57	50	30	52.5	20.3	1.2	13	19	190	4.5	19.5	C60A606-1UG05***
70	57	50	35	52.5	20.3	1.2	13	20	200	4.1	21	C60A706-1UG05***

U <sub>NDC</sub> (105°C): 800Vdc												
C (μF)	W	H	T	P	P1	d	dv/dt (V/μs)	tgδ×(10 <sup>-4</sup> )		ESR (mΩ)	I <sub>RMS</sub> (A)	产品代码 Part number
								1KHz	10KHz			
30	42	45	30	37.5	20.3	1.2	22	11	110	4.5	17	C60A306-1WE05***
35	42	50	30	37.5	20.3	1.2	22	12	120	4.3	18	C60A356-1WE05***
40	57	45	30	52.5	20.3	1.2	15	15	150	5.4	17	C60A406-1WG05***
50	57	50	30	52.5	20.3	1.2	15	16	160	4.6	19.5	C60A506-1WG05***
55	57	50	35	52.5	20.3	1.2	15	17	170	4.4	20.5	C60A556-1WG05***

## CBB60B 型 DC-Link 电容器(PCB)

### CBB60B Type DC-Link Capacitor (PCB)

< 60°C/93%RH /1000h / U<sub>NDC</sub> >

#### ◆ 外形尺寸图及产品结构 Outline Drawing and Capacitor Construction

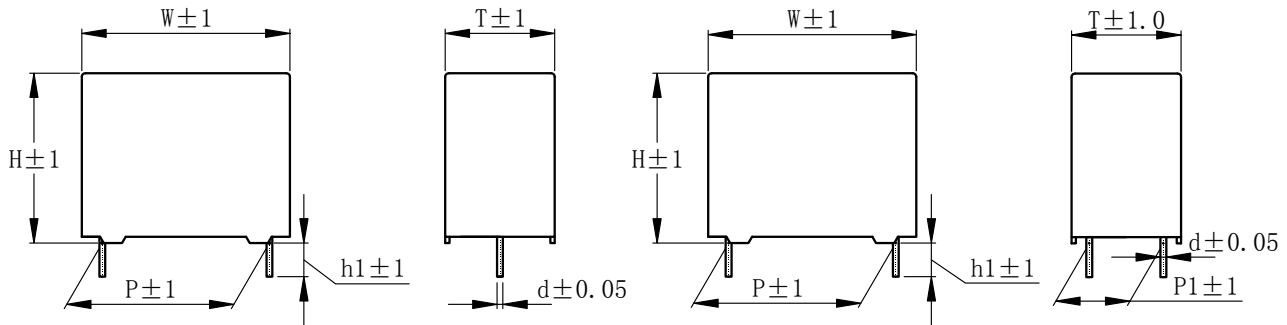


图 1: 2Pins

图 2: 4Pins

#### ◆ 特点及用途 Application and Feature

自感小，等效串联电阻小，大纹波电流承受能力，通常用于变频器、感应加热设备、UPS 等的直流母线滤波电路当中。

Low ESL, Low ESR, Support high ripple current, especially used in DC-Link circuit for UPS, inverter, induction heating equipment.

#### ◆ 技术要求 Specifications

参照标准 Reference Standard	GB/T 17702、IEC 61071	
气候类别 Climatic Category	40/85/56	
额定电压 Rated Voltage	500Vdc、600Vdc、800Vdc、900Vdc、1000Vdc、1100Vdc、1200Vdc	
工作温度范围(热点) Operation Temperature Range (Hot Spot)	-40°C~105°C (+85°C~+105°C: 1.35%/°C of U <sub>OP</sub> derating compared to U <sub>NDC</sub> at 85°C)	
电容量 Capacitance Range	1.0μF~110μF	
电容量偏差 Capacitance Tolerance	±5%(J)、±10%(K) (20±5°C, 1kHz)	
耐电压 Voltage Proof	极间 Between Terminals	U=1.5U <sub>NDC</sub> (20°C, 10s)
	极壳 Between Terminals to Case	2000Vac (10s), 50Hz
绝缘电阻 Insulation Resistance	IR×C≥10 000s (20°C, 100Vdc, 1min)	
最大峰值电流 <sup>∧</sup> (A) Maximum Peak Current(A)	<sup>∧</sup> I = C <sub>R</sub> × dv/dt	
工作寿命 Operation Life Time	参照预期寿命曲线 Refer to Expected Lifetime Curves	
过电压 Over Voltage	一天之内的最长持续时间 Maximum Duration within Day	说明 Observation
	1.1 U <sub>NDC</sub> (30% of on-load-dur.)	系统调整 System Regulation
	1.15 U <sub>NDC</sub> (30min/day)	
	1.2 U <sub>NDC</sub> (5min/day)	
	1.3 U <sub>NDC</sub> (1min/day)	





# CBB60B

## CBB60B series

### ◆ 产品代码编写说明: Part number code system:

16 位产品代码如下: The 16 digits part number is formed as follow:

1	2	3	4	5	6	7	8	9	10	11	12	13	14	15	16
C	6	0	B												

第 1~4 位	薄膜电容器系列代码 C60B=CBB60B	Digit 1~4	Series code of film capacitor C60B=CBB60B
第 5~7 位	标称容量代码 举例: 105=10×10 <sup>5</sup> pF=1μF	Digit 5~7	Rated capacitance value code For example: 105=10×10 <sup>5</sup> pF=1μF
第 8 位	容量等级代码 J=±5%K=±10%	Digit 8	Capacitance tolerance code J=±5%K=±10%
第 9~10 位	直流额定电压代码 2H=500V    1U=600V    1W=800V 1X=900V    3A=1000V 3K=1100V    3L=1200V	Digit 9~10	DC rated voltage code 2H=500V    1U=600V    1W=800V 1X=900V    3A=1000V 3K=1100V    3L=1200V
第 11 位	引线间距 B=27.5mm    E=37.5mm    G=52.5mm	Digit 11	Pitch B=27.5mm    E=37.5mm    G=52.5mm
第 12 位	内部特征码	Digit 12	Internal use
第 13~16 位	引出端代码 见表 1	Digit 13~16	Terminals code Referring to table 1
表 1	引线形式代码	Table 1	Lead form code

第13位 Digit13		第14~15位 Digit14~Digit15		第 16 位 Digit16	
引线形式及P1 Lead form and pitch P1		引线长度 Lead length		引线长度偏差 Length tolerance	
代码 Code	说明 explanation	代码 Code	说明 explanation	代码 Code	说明 explanation
0	2Pins P1=0mm	00	标准引线长度5.5mm standard lead length 5.5mm	0	引线长度偏差±1.0mm Length tolerance±1.0mm
1	4Pins P1=5.1mm				
2	4Pins P1=10.2mm				
3	4Pins P1=12.7mm				
4	4Pins P1=15.2mm				
5	4Pins P1=20.3mm				

◆ 产品尺寸及性能参数: Product Dimension and Characteristic Data:

U <sub>NDC</sub> (85℃): 500Vdc												
C (μF)	W	H	T	P	P1	d	dv/dt (V/μs)	tgδ×(10 <sup>-4</sup> )		ESR (mΩ)	I <sub>RMS</sub> (A)	产品代码 Part number
								1KHz	10KHz			
5	32	20	11	27.5	-	0.8	65	10	100	10.6	6	C60B505-2HB00000
10K	32	25	14	27.5	-	0.8	65	10	100	6.1	9	C60B106K2HB00000
15	32	33	18	27.8	-	0.8	65	10	100	5.0	12	C60B156-2HB00000
22	32	37	22	27.5	-	0.8	65	10	100	3.9	12	C60B226-2HB00000
20	42	30	18	37.5	-	1	30	15	150	7.0	10	C60B206-2HE00000
25	42	40	20	37.5	10.2	1	30	15	150	5.7	13.5	C60B256-2HE02000
30	42	40	20	37.5	10.2	1	30	15	150	4.8	14.5	C60B306-2HE02000
35	42	36	23	37.5	10.2	1	30	15	150	4.2	15.5	C60B356-2HE02000
40	42	37.5	27.5	37.5	10.2	1	30	15	150	3.8	17.5	C60B406-2HE02000
50	42	43	28	37.5	10.2	1	30	15	150	3.3	19	C60B506-2HE02000
50	42	43	28	37.5	12.7	1.2	30	15	150	3.0	20.5	C60B506-2HE03000
50	42	45	30	37.5	20.3	1.2	30	15	150	3.0	21	C60B506-2HE05000
60	42	45	30	37.5	20.3	1.2	30	15	150	2.6	23	C60B606-2HE05000
75	57	45	30	52.5	12.7	1.2	15	35	350	3.7	22	C60B756-2HG03000
75	57	45	30	52.5	20.3	1.2	15	35	350	3.7	22	C60B756-2HG05000
80	57	45	30	52.5	20.3	1.2	15	35	350	3.5	22.5	C60B806-2HG05000
100	57	50	35	52.5	20.3	1.2	15	35	350	2.9	26	C60B107-2HG05000
110	57	50	35	52.5	20.3	1.2	15	35	350	2.7	27	C60B117-2HG05000

U <sub>NDC</sub> (85℃): 600Vdc												
C (μF)	W	H	T	P	P1	d	dv/dt (V/μs)	tgδ×(10 <sup>-4</sup> )		ESR (mΩ)	I <sub>RMS</sub> (A)	产品代码 Part number
								1KHz	10KHz			
2	32	18	9	27.5	-	0.8	65	11	100	20.6	4	C60B205-1UB00000
3	32	20	11	27.5	-	0.8	65	11	100	14.2	5	C60B305-1UB00000
4	32	20	11	27.5	-	0.8	65	11	100	10.9	6	C60B405-1UB00000
5	32	22	13	27.5	-	0.8	65	11	100	9.0	7	C60B505-1UB00000
6	32	25	13	27.5	-	0.8	65	11	100	7.8	7.5	C60B605-1UB00000
7	32	25	14	27.5	-	0.8	65	11	100	6.9	8.5	C60B705-1UB00000
8	32	28	14	27.5	-	0.8	65	11	100	6.3	9	C60B805-1UB00000
9	32	28	17	27.5	-	0.8	65	11	100	5.8	10	C60B905-1UB00000
10	32	28	17	27.5	-	0.8	65	11	100	5.4	10.5	C60B106-1UB00000
12	32	33	18	27.5	-	0.8	65	11	100	4.9	11.5	C60B126-1UB00000
12	32	33	18	27.5	10.2	0.8	65	11	100	4.1	13	C60B126-1UB02000
15	32	37	22	27.5	-	0.8	65	11	100	4.4	12	C60B156-1UB00000
15	32	37	22	27.5	10.2	0.8	65	11	100	3.5	15	C60B156-1UB02000
18	32	37	22	27.5	-	0.8	65	11	100	4.0	12	C60B186-1UB00000
18	32	37	22	27.5	12.7	0.8	65	11	100	3.1	16	C60B186-1UB03000
10	42	26	15	37.5	-	1	30	20	175	11.5	7.5	C60B106-1UE00000
12	42	30	16	37.5	-	1	30	20	175	9.8	8.5	C60B126-1UE00000
15K	42	30	16	37.5	-	1	30	20	175	8.0	9.5	C60B156K1UE00000
20	42	40	20	37.5	10.2	1	30	20	175	5.9	13	C60B206-1UE02000
22	42	40	20	37.5	10.2	1	30	20	175	5.4	13.5	C60B226-1UE02000
25	42	40	20	37.5	12.7	1	30	20	175	4.9	14.5	C60B256-1UE03000
30	42	44	24	37.5	12.7	1	30	20	175	4.2	17	C60B306-1UE03000
35	42	45	30	37.5	12.7	1.2	30	20	175	3.5	19.5	C60B356-1UE03000
35	42	45	30	37.5	20.3	1.2	30	20	175	3.5	19.5	C60B356-1UE05000
40	42	45	30	37.5	12.7	1.2	30	20	175	3.1	20.5	C60B406-1UE03000
40	42	45	30	37.5	20.3	1.2	30	20	175	3.1	20.5	C60B406-1UE05000



# CBB60B

CBB60B series

◆ 产品尺寸及性能参数: Product Dimension and Characteristic Data:

U <sub>NDC</sub> (85℃): 600Vdc												
C (μF)	W	H	T	P	P1	d	dv/dt (V/μs)	tgδ×(10 <sup>-4</sup> )		ESR (mΩ)	I <sub>RMS</sub> (A)	产品代码 Part number
								1KHz	10KHz			
45	42	50	35	37.5	12.7	1.2	30	20	175	2.9	23.5	C60B456-1UE03000
45	42	50	35	37.5	20.3	1.2	30	20	175	2.9	23.5	C60B456-1UE05000
50	42	50	35	37.5	20.3	1.2	30	20	175	2.6	24.5	C60B506-1UE05000
55	42	50	35	37.5	20.3	1.2	30	20	175	2.5	25.5	C60B556-1UE05000
56	42	50	35	37.5	20.3	1.2	30	20	175	2.5	25.5	C60B566-1UE05000
60	42	55	40	37.5	20.3	1.2	30	20	175	2.3	28	C60B606-1UE05000
65	42	55	40	37.5	20.3	1.2	30	20	175	2.2	28.5	C60B656-1UE05000
70	42	55	40	37.5	20.3	1.2	30	20	175	2.1	29.5	C60B706-1UE05000
75	42	60	45	37.5	20.3	1.2	30	20	175	2.0	31.5	C60B756-1UE05000
80	42	60	45	37.5	20.3	1.2	30	20	175	1.9	32.5	C60B806-1UE05000
85	42	60	45	37.5	20.3	1.2	30	20	175	1.9	33	C60B856-1UE05000
40	57	45	25	52.5	12.7	1.2	15	36	350	5.5	17	C60B406-1UG03000
45	57	45	25	52.5	12.7	1.2	15	36	350	4.9	18	C60B456-1UG03000
50	57	45	25	52.5	12.7	1.2	15	36	350	4.5	19	C60B506-1UG03000
55	57	45	30	52.5	12.7	1.2	15	36	350	4.1	20.5	C60B556-1UG03000
55	57	45	30	52.5	20.3	1.2	15	36	350	4.1	20.5	C60B556-1UG05000
60	57	45	30	52.5	12.7	1.2	15	36	350	3.8	21.5	C60B606-1UG03000
60	57	45	30	52.5	20.3	1.2	15	36	350	3.8	21.5	C60B606-1UG05000
65	57	50	35	52.5	12.7	1.2	15	36	350	3.6	23.5	C60B656-1UG03000
65	57	50	35	52.5	20.3	1.2	15	36	350	3.6	23.5	C60B656-1UG05000
70	57	50	35	52.5	20.3	1.2	15	36	350	3.4	24.5	C60B706-1UG05000
75	57	50	35	52.5	20.3	1.2	15	36	350	3.2	25	C60B756-1UG05000
80	57	50	35	52.5	20.3	1.2	15	36	350	3.0	25.5	C60B806-1UG05000
85	57	50	35	52.5	20.3	1.2	15	36	350	2.9	26.5	C60B856-1UG05000
90	57	55	40	52.5	20.3	1.2	15	36	350	2.8	28.5	C60B906-1UG05000
95	57	55	40	52.5	20.3	1.2	15	36	350	2.7	29	C60B956-1UG05000
100	57	55	40	52.5	20.3	1.2	15	36	350	2.6	30	C60B107-1UG05000
110	57	55	45	52.5	20.3	1.2	15	36	350	2.4	32	C60B117-1UG05000
120	57	65	45	52.5	20.3	1.2	15	36	350	2.4	34	C60B127-1UG05000
130	57	65	45	52.5	20.3	1.2	15	36	350	2.2	35	C60B137-1UG05000
140	57	65	45	52.5	20.3	1.2	15	36	350	2.1	36	C60B147-1UG05000

U <sub>NDC</sub> (85℃): 800Vdc												
C (μF)	W	H	T	P	P1	d	dv/dt (V/μs)	tgδ×(10 <sup>-4</sup> )		ESR (mΩ)	I <sub>RMS</sub> (A)	产品代码 Part number
								1KHz	10KHz			
2K	32	18	9	27.5	-	0.8	65	10	95	18.4	4	C60B205K1WB00000
3K	32	20	11	27.5	-	0.8	65	10	95	12.7	5.5	C60B305K1WB00000
3.3	32	22	13	27.5	-	0.8	65	10	95	11.1	6	C60B335-1WB00000
4	32	25	13	27.5	-	0.8	65	10	95	10.0	7	C60B405-1WB00000
5	32	25	14	27.5	-	0.8	65	10	95	8.3	7.5	C60B505-1WB00000
6	32	28	17	27.5	-	0.8	65	10	95	7.2	9	C60B605-1WB00000
7	32	28	17	27.5	-	0.8	65	10	95	6.4	9.5	C60B705-1WB00000
8	32	33	18	27.5	-	0.8	65	10	95	6.0	10.5	C60B805-1WB00000
8	32	33	18	27.5	10.2	0.8	65	10	95	5.2	11.5	C60B805-1WB02000
9	32	33	18	27.5	-	0.8	65	10	95	5.5	11	C60B905-1WB00000
9	32	33	18	27.5	10.2	0.8	65	10	95	4.7	12	C60B905-1WB02000

◆ 产品尺寸及性能参数: Product Dimension and Characteristic Data:

U <sub>NDC</sub> (85℃): 800Vdc												
C (μF)	W	H	T	P	P1	d	dv/dt (V/μs)	tgδ×(10 <sup>-4</sup> )		ESR (mΩ)	I <sub>RMS</sub> (A)	产品代码 Part number
								1KHz	10KHz			
10	32	37	22	27.5	-	0.8	65	10	95	5.3	12	C60B106-1WB00000
10	32	37	22	27.5	10.2	0.8	65	10	95	4.4	13.5	C60B106-1WB02000
11	32	37	22	27.5	-	0.8	65	10	95	4.9	12	C60B116-1WB00000
11	32	37	22	27.5	10.2	0.8	65	10	95	4.0	14	C60B116-1WB02000
12	32	37	22	27.5	-	0.8	65	10	95	4.7	12	C60B126-1WB00000
12	32	37	22	27.5	10.2	0.8	65	10	95	3.8	14.5	C60B126-1WB02000
13	32	37	22	27.5	-	0.8	65	10	95	4.5	12	C60B136-1WB00000
13	32	37	22	27.5	12.7	0.8	65	10	95	3.6	15	C60B136-1WB03000
14K	32	37	22	27.5	-	0.8	65	10	95	4.3	12	C60B146K1WB00000
14K	32	37	22	27.5	12.7	0.8	65	10	95	3.5	15	C60B146K1WB03000
8	42	26	15	37.5	-	1	30	18	160	12.5	7	C60B805-1WE00000
9	42	30	16	37.5	-	1	30	18	160	11.3	8	C60B905-1WE00000
10	42	30	16	37.5	-	1	30	18	160	10.3	8.5	C60B106-1WE00000
12	42	30	18	37.5	-	1	30	18	160	8.7	9.5	C60B126-1WE00000
14	42	33.5	18.5	37.5	-	1	30	18	160	7.5	10	C60B146-1WE00000
15	42	40	20	37.5	10.2	1	30	18	160	6.8	12	C60B156-1WE02000
20	42	44	24	37.5	12.7	1	30	18	160	5.3	15	C60B206-1WE03000
25	42	44	24	37.5	12.7	1	30	18	160	4.4	16.5	C60B256-1WE03000
30	42	45	30	37.5	12.7	1.2	30	18	160	3.6	19.5	C60B306-1WE03000
30	42	45	30	37.5	20.3	1.2	30	18	160	3.6	19.5	C60B306-1WE05000
35	42	50	35	37.5	20.3	1.2	30	18	160	3.2	22	C60B356-1WE05000
40	42	50	35	37.5	20.3	1.2	30	18	160	2.9	23.5	C60B406-1WE05000
45	42	55	40	37.5	20.3	1.2	30	18	160	2.6	26	C60B456-1WE05000
50	42	55	40	37.5	20.3	1.2	30	18	160	2.4	27	C60B506-1WE05000
55	42	55	40	37.5	20.3	1.2	30	18	160	2.3	28	C60B556-1WE05000
60	42	60	45	37.5	20.3	1.2	30	18	160	2.2	30.5	C60B606-1WE05000
65	42	60	45	37.5	20.3	1.2	30	18	160	2.1	31.5	C60B656-1WE05000
25	57	45	25	52.5	12.7	1.2	15	33	320	7.5	14.5	C60B256-1WG03000
30	57	45	25	52.5	12.7	1.2	15	33	320	6.4	16	C60B306-1WG03000
35	57	45	25	52.5	12.7	1.2	15	33	320	5.5	17	C60B356-1WG03000
40	57	45	30	52.5	12.7	1.2	15	33	320	4.9	19	C60B406-1WG03000
40	57	45	30	52.5	20.3	1.2	15	33	320	4.9	19	C60B406-1WG05000
45	57	45	30	52.5	12.7	1.2	15	33	320	4.4	20	C60B456-1WG03000
45	57	45	30	52.5	20.3	1.2	15	33	320	4.4	20	C60B456-1WG05000
50	57	50	35	52.5	12.7	1.2	15	33	320	4.1	22.5	C60B506-1WG03000
50	57	50	35	52.5	20.3	1.2	15	33	320	4.1	22.5	C60B506-1WG05000
55	57	50	35	52.5	20.3	1.2	15	33	320	3.7	23	C60B556-1WG05000
60	57	50	35	52.5	20.3	1.2	15	33	320	3.5	24	C60B606-1WG05000
65	57	55	40	52.5	20.3	1.2	15	33	320	3.3	26.5	C60B656-1WG05000
70	57	55	40	52.5	20.3	1.2	15	33	320	3.1	27	C60B706-1WG05000
75	57	55	40	52.5	20.3	1.2	15	33	320	2.9	28	C60B756-1WG05000
80	57	55	40	52.5	20.3	1.2	15	33	320	2.8	28.5	C60B806-1WG05000
85	57	55	45	52.5	20.3	1.2	15	33	320	2.7	30.5	C60B856-1WG05000
90	57	55	45	52.5	20.3	1.2	15	33	320	2.6	31	C60B906-1WG05000
95	57	65	45	52.5	20.3	1.2	15	33	320	2.5	33	C60B956-1WG05000
100	57	65	45	52.5	20.3	1.2	15	33	320	2.4	33.5	C60B107-1WG05000
110	57	65	45	52.5	20.3	1.2	15	33	320	2.3	34.5	C60B117-1WG05000



# CBB60B

CBB60B series

◆ 产品尺寸及性能参数: Product Dimension and Characteristic Data:

U <sub>NDC</sub> (85℃): 900Vdc												
C (μF)	W	H	T	P	PI	d	dv/dt (V/μs)	tgδ×(10 <sup>-4</sup> )		ESR (mΩ)	I <sub>RMS</sub> (A)	产品代码 Part number
								1KHz	10KHz			
1	32	18	9	27.5	-	0.8	70	9	90	32.2	3	C60B105-1XB00000
2	32	20	11	27.5	-	0.8	70	9	90	16.7	4.5	C60B205-1XB00000
3	32	22	13	27.5	-	0.8	70	9	90	11.6	6	C60B305-1XB00000
4K	32	25	13	27.5	-	0.8	70	9	90	9.1	7	C60B405K1XB00000
5	32	28	17	27.5	-	0.8	70	9	90	7.7	8.5	C60B505-1XB00000
6	32	33	18	27.5	-	0.8	70	9	90	6.8	10	C60B605-1XB00000
6	32	33	18	27.5	10.2	0.8	70	9	90	6.0	10.5	C60B605-1XB02000
7	32	33	18	27.5	-	0.8	70	9	90	6.1	10.5	C60B705-1XB00000
7	32	33	18	27.5	10.2	0.8	70	9	90	5.3	11	C60B705-1XB02000
8	32	37	22	27.5	-	0.8	70	9	90	5.7	12	C60B805-1XB00000
8	32	37	22	27.5	10.2	0.8	70	9	90	4.8	13	C60B805-1XB02000
9	32	37	22	27.5	-	0.8	70	9	90	5.3	12	C60B905-1XB00000
9	32	37	22	27.5	12.7	0.8	70	9	90	4.4	13.5	C60B905-1XB03000
10	32	37	22	27.5	-	0.8	70	9	90	4.9	12	C60B106-1XB00000
10	32	37	22	27.5	12.7	0.8	70	9	90	4.0	14	C60B106-1XB03000
4.7	42	26	15	37.5	-	1	35	17	150	18.6	6	C60B475-1XE00000
5	42	26	15	37.5	-	1	35	17	150	17.5	6	C60B505-1XE00000
6	42	26	15	37.5	-	1	35	17	150	14.8	6.5	C60B605-1XE00000
7	42	30	16	37.5	-	1	35	17	150	12.9	7.5	C60B705-1XE00000
8	42	30	16	37.5	-	1	35	17	150	11.4	8	C60B805-1XE00000
10	42	33.5	18.5	37.5	10.2	1	35	17	150	8.9	9.5	C60B106-1XE02000
12	42	37	22	37.5	10.2	1	35	17	150	7.5	11.5	C60B126-1XE02000
15	42	37	22	37.5	12.7	1	35	17	150	6.1	13	C60B156-1XE03000
18	42	44	24	37.5	12.7	1	35	17	150	5.3	15	C60B186-1XE03000
20	42	44	24	37.5	12.7	1	35	17	150	4.8	15.5	C60B206-1XE03000
25	42	45	30	37.5	12.7	1.2	35	17	150	3.8	19	C60B256-1XE03000
25	42	45	30	37.5	20.3	1.2	35	17	150	3.8	19	C60B256-1XE05000
30	42	50	35	37.5	20.3	1.2	35	17	150	3.3	22	C60B306-1XE05000
35	42	50	35	37.5	20.3	1.2	35	17	150	2.9	23	C60B356-1XE05000
40	42	55	40	37.5	20.3	1.2	35	17	150	2.7	26	C60B406-1XE05000
45	42	60	45	37.5	20.3	1.2	35	17	150	2.5	29	C60B456-1XE05000
50	42	60	45	37.5	20.3	1.2	35	17	150	2.3	30	C60B506-1XE05000
15	57	45	25	52.5	10.2	1.2	15	31	300	11.0	12	C60B156-1XG02000
20	57	45	25	52.5	12.7	1.2	15	31	300	8.3	14	C60B206-1XG03000
25	57	45	25	52.5	12.7	1.2	15	31	300	6.8	15.5	C60B256-1XG03000
30	57	45	30	52.5	12.7	1.2	15	31	300	5.7	17.5	C60B306-1XG03000
30	57	45	30	52.5	20.3	1.2	15	31	300	5.7	17.5	C60B306-1XG05000
35	57	45	30	52.5	12.7	1.2	15	31	300	5.0	18.5	C60B356-1XG03000
35	57	45	30	52.5	20.3	1.2	15	31	300	5.0	18.5	C60B356-1XG05000
40	57	50	35	52.5	20.3	1.2	15	31	300	4.5	21	C60B406-1XG05000
45	57	50	35	52.5	20.3	1.2	15	31	300	4.0	22.5	C60B456-1XG05000
50	57	50	35	52.5	20.3	1.2	15	31	300	3.7	23.5	C60B506-1XG05000
55	57	55	40	52.5	20.3	1.2	15	31	300	3.4	26	C60B556-1XG05000
60	57	55	40	52.5	20.3	1.2	15	31	300	3.2	27	C60B606-1XG05000
65	57	55	45	52.5	20.3	1.2	15	31	300	3.0	28.5	C60B656-1XG05000
70	57	65	45	52.5	20.3	1.2	15	31	300	2.9	30.5	C60B706-1XG05000
75	57	65	45	52.5	20.3	1.2	15	31	300	2.8	31.5	C60B756-1XG05000
80	57	65	45	52.5	20.3	1.2	15	31	300	2.6	32	C60B806-1XG05000
85	57	65	45	52.5	20.3	1.2	15	31	300	2.5	32	C60B856-1XG05000

◆ 产品尺寸及性能参数: **Product Dimension and Characteristic Data:**

U <sub>NDC</sub> (85°C): 1000Vdc												
C (μF)	W	H	T	P	P1	d	dv/dt (V/μs)	tgδ×(10 <sup>-4</sup> )		ESR (mΩ)	I <sub>RMS</sub> (A)	产品代码 Part number
								1KHz	10KHz			
1	32	18	9	27.5	-	0.8	75	8	80	29.4	3	C60B105-3AB00000
2	32	22	13	27.5	-	0.8	75	8	80	15.4	5	C60B205-3AB00000
3	32	25	14	27.5	-	0.8	75	8	80	10.8	6.5	C60B305-3AB00000
4	32	28	17	27.5	-	0.8	75	8	80	8.5	8	C60B405-3AB00000
5	32	33	18	27.5	-	0.8	75	8	80	7.3	9.5	C60B505-3AB00000
6	32	33	18	27.5	-	0.8	75	8	80	6.4	10	C60B605-3AB00000
6	32	33	18	27.5	10.2	0.8	75	8	80	5.5	11	C60B605-3AB02000
7	32	37	22	27.5	-	0.8	75	8	80	5.9	11.5	C60B705-3AB00000
7	32	37	22	27.5	12.7	0.8	75	8	80	4.9	12.5	C60B705-3AB03000
8	32	37	22	27.5	-	0.8	75	8	80	5.3	12	C60B805-3AB00000
8	32	37	22	27.5	12.7	0.8	75	8	80	4.4	13.5	C60B805-3AB03000
5	42	26	15	37.5	-	1	37	15	140	16.0	6.5	C60B505-3AE00000
6	42	30	16	37.5	-	1	37	15	140	13.5	7.5	C60B605-3AE00000
7	42	33.5	18.5	37.5	-	1	37	15	140	11.8	8.5	C60B705-3AE00000
8	42	33.5	18.5	37.5	-	1	37	15	140	10.5	9	C60B805-3AE00000
10	42	40	20	37.5	10.2	1	37	15	140	8.2	11	C60B106-3AE02000
12	42	37	22	37.5	12.7	1	37	15	140	6.9	12	C60B126-3AE03000
12	42	37	22	37.5	-	1	37	15	140	7.4	11.5	C60B126-3AE00000
15	42	44	24	37.5	12.7	1	37	15	140	5.7	14.5	C60B156-3AE03000
18	42	45	30	37.5	12.7	1.2	37	15	140	4.7	17	C60B186-3AE03000
18	42	45	30	37.5	20.3	1.2	37	15	140	4.7	17	C60B186-3AE05000
20	42	45	30	37.5	12.7	1.2	37	15	140	4.2	18	C60B206-3AE03000
20	42	45	30	37.5	20.3	1.2	37	15	140	4.2	18	C60B206-3AE05000
25	42	50	35	37.5	20.3	1.2	37	15	140	3.5	21	C60B256-3AE05000
30	42	55	40	37.5	20.3	1.2	37	15	140	3.1	24	C60B306-3AE05000
35	42	55	40	37.5	20.3	1.2	37	15	140	2.7	25.5	C60B356-3AE05000
40	42	60	45	37.5	20.3	1.2	37	15	140	2.5	28.5	C60B406-3AE05000
15	57	45	25	52.5	12.7	1.2	17	28	280	10.0	12.5	C60B156-3AG03000
20	57	45	25	52.5	12.7	1.2	17	28	280	7.6	14.5	C60B206-3AG03000
25	57	45	25	52.5	12.7	1.2	17	28	280	6.2	16	C60B256-3AG03000
30	57	45	30	52.5	12.7	1.2	17	28	280	5.2	18	C60B306-3AG03000
30	57	45	30	52.5	20.3	1.2	17	28	280	5.2	18	C60B306-3AG05000
35	57	50	35	52.5	20.3	1.2	17	28	280	4.6	21	C60B356-3AG05000
40	57	50	35	52.5	20.3	1.2	17	28	280	4.1	22	C60B406-3AG05000
45	57	55	40	52.5	20.3	1.2	17	28	280	3.7	25	C60B456-3AG05000
50	57	55	45	52.5	20.3	1.2	17	28	280	3.4	27	C60B506-3AG05000
55	57	55	45	52.5	20.3	1.2	17	28	280	3.2	28	C60B556-3AG05000
60	57	65	45	52.5	20.3	1.2	17	28	280	3.0	30	C60B606-3AG05000
65	57	65	45	52.5	20.3	1.2	17	28	280	2.9	31	C60B656-3AG05000
70	57	65	45	52.5	20.3	1.2	17	28	280	2.7	32	C60B706-3AG05000



# CBB60B

CBB60B series

◆ 产品尺寸及性能参数: Product Dimension and Characteristic Data:

U <sub>NDC</sub> (85℃): 1100Vdc												
C (μF)	W	H	T	P	P1	d	dv/dt (V/μs)	tgδ×(10 <sup>-4</sup> )		ESR (mΩ)	I <sub>RMS</sub> (A)	产品代码 Part number
								1KHz	10KHz			
1	32	20	11	27.5	-	0.8	80	8	70	26.0	3.5	C60B105-3KB00000
1.5	32	22	13	27.5	-	0.8	80	8	70	17.8	5	C60B155-3KB00000
2	32	25	13	27.5	-	0.8	80	8	70	13.8	6	C60B205-3KB00000
3	32	28	17	27.5	-	0.8	80	8	70	9.7	7.5	C60B305-3KB00000
4	32	33	18	27.5	-	0.8	80	8	70	7.9	9	C60B405-3KB00000
5	32	37	22	27.5	-	0.8	80	8	70	6.8	11	C60B505-3KB00000
5	32	37	22	27.5	10.2	0.8	80	8	70	5.9	11.5	C60B505-3KB02000
6	32	37	22	27.5	-	0.8	80	8	70	5.9	11.5	C60B605-3KB00000
6	32	37	22	27.5	10.2	0.8	80	8	70	5.0	12.5	C60B605-3KB02000
3	42	26	15	37.5	-	1	40	15	130	23.1	5	C60B305-3KE00000
4	42	26	15	37.5	-	1	40	15	130	17.5	6	C60B405-3KE00000
4.7	42	33.5	18.5	37.5	10.2	1	40	15	130	14.7	7.5	C60B475-3KE02000
5	42	33.5	18.5	37.5	-	1	40	15	130	14.4	7.5	C60B505-3KE00000
6	42	33.5	18.5	37.5	-	1	40	15	130	12.1	8.5	C60B605-3KE00000
7	42	40	20	37.5	10.2	1	40	15	130	10.1	10	C60B705-3KE02000
8	42	37	22	37.5	10.2	1	40	15	130	8.9	10.5	C60B805-3KE02000
9	42	37	22	37.5	12.7	1	40	15	130	8.0	11	C60B905-3KE03000
10	42	44	24	37.5	12.7	1	40	15	130	7.3	12.5	C60B106-3KE03000
12	42	44	24	37.5	12.7	1	40	15	130	6.2	14	C60B126-3KE03000
12	42	44	24	37.5	-	1	40	15	130	6.9	13	C60B126-3KE00000
15	42	45	30	37.5	12.7	1.2	40	15	130	4.9	16.5	C60B156-3KE03000
15	42	45	30	37.5	20.3	1.2	40	15	130	4.9	16.5	C60B156-3KE05000
18	42	50	35	37.5	20.3	1.2	40	15	130	4.2	19	C60B186-3KE05000
20	42	50	35	37.5	20.3	1.2	40	15	130	3.8	20	C60B206-3KE05000
25	42	55	40	37.5	20.3	1.2	40	15	130	3.2	23.5	C60B256-3KE05000
30	42	60	45	37.5	20.3	1.2	40	15	130	2.8	27	C60B306-3KE05000
15	57	45	25	52.5	12.7	1.2	20	27	260	8.9	13.5	C60B156-3KG03000
20	57	45	30	52.5	12.7	1.2	20	27	260	6.8	16	C60B206-3KG03000
20	57	45	30	52.5	20.3	1.2	20	27	260	6.8	16	C60B206-3KG05000
25	57	50	35	52.5	20.3	1.2	20	27	260	5.6	19	C60B256-3KG05000
30	57	50	35	52.5	20.3	1.2	20	27	260	4.7	20.5	C60B306-3KG05000
35	57	55	40	52.5	20.3	1.2	20	27	260	4.2	23.5	C60B356-3KG05000
40	57	55	40	52.5	20.3	1.2	20	27	260	3.7	25	C60B406-3KG05000
45	57	55	45	52.5	20.3	1.2	20	27	260	3.4	27	C60B456-3KG05000
50	57	65	45	52.5	20.3	1.2	20	27	260	3.2	29.5	C60B506-3KG05000
55	57	65	45	52.5	20.3	1.2	20	27	260	3.0	30.5	C60B556-3KG05000

◆ 产品尺寸及性能参数: Product Dimension and Characteristic Data:

U <sub>NDC</sub> (85℃): 1200Vdc												
C (μF)	W	H	T	P	P1	d	dv/dt (V/μs)	tgδ×(10 <sup>-4</sup> )		ESR (mΩ)	I <sub>RMS</sub> (A)	产品代码 Part number
								1KHz	10KHz			
1	32	20	11	27.5	-	0.8	90	7	55	24.2	4	C60B105-3LB00000
2	32	25	14	27.5	-	0.8	90	7	55	12.8	6	C60B205-3LB00000
3	32	28	17	27.5	-	0.8	90	7	55	9.1	8	C60B305-3LB00000
4	32	33	18	27.5	-	0.8	90	7	55	7.4	9.5	C60B405-3LB00000
5	32	37	22	27.5	-	0.8	90	7	55	6.4	11	C60B505-3LB00000
5	32	37	22	27.5	10.2	0.8	90	7	55	5.5	12	C60B505-3LB02000
3	42	26	15	37.5	-	1	45	13	100	21.3	5.5	C60B305-3LE00000
4	42	30	16	37.5	-	1	45	13	100	16.3	6.5	C60B405-3LE00000
5	42	33.5	18.5	37.5	-	1	45	13	100	13.3	8	C60B505-3LE00000
6	42	40	20	37.5	-	1	45	13	100	11.4	9.5	C60B605-3LE00000
7	42	37	22	37.5	10.2	1	45	13	100	9.3	10.5	C60B705-3LE02000
8	42	44	24	37.5	12.7	1	45	13	100	8.3	12	C60B805-3LE03000
9	42	44	24	37.5	12.7	1	45	13	100	7.5	12.5	C60B905-3LE03000
10	42	44	24	37.5	12.7	1	45	13	100	6.8	13	C60B106-3LE03000
12	42	45	30	37.5	12.7	1.2	45	13	100	5.6	15.5	C60B126-3LE03000
12	42	45	30	37.5	20.3	1.2	45	13	100	5.6	15.5	C60B126-3LE05000
15	42	50	35	37.5	20.3	1.2	45	13	100	4.6	18.5	C60B156-3LE05000
18	42	50	35	37.5	20.3	1.2	45	13	100	3.9	20	C60B186-3LE05000
20	42	55	40	37.5	20.3	1.2	45	13	100	3.6	22	C60B206-3LE05000
25	42	60	45	37.5	20.3	1.2	45	13	100	3.1	26	C60B256-3LE05000
12	57	45	25	52.5	12.7	1.2	23	24	200	10.2	12.5	C60B126-3LG03000
15	57	45	25	52.5	12.7	1.2	23	24	200	8.2	14	C60B156-3LG03000
20	57	45	30	52.5	12.7	1.2	23	24	200	6.3	16.5	C60B206-3LG03000
20	57	45	30	52.5	20.3	1.2	23	24	200	6.3	16.5	C60B206-3LG05000
25	57	50	35	52.5	20.3	1.2	23	24	200	5.2	19.5	C60B256-3LG05000
30	57	55	40	52.5	20.3	1.2	23	24	200	4.4	22.5	C60B306-3LG05000
35	57	55	45	52.5	20.3	1.2	23	24	200	3.9	25	C60B356-3LG05000
40	57	65	45	52.5	20.3	1.2	23	24	200	3.6	27.5	C60B406-3LG05000
45	57	65	45	52.5	20.3	1.2	23	24	200	3.2	29	C60B456-3LG05000

备注:

“-” : 客户要求的容量偏差

ESR 值为 f=10KHz 下的典型值

I<sub>RMS</sub> 值为 f=10KHz、T<sub>amb</sub>=70℃、散热条件 10W/m<sup>2</sup>/℃、  
ΔT<sub>case</sub>≤20℃的最大电流有效值。

“-”=custom's capacitor tolerance code, J=±5%, K=±10%

ESR typical values at 10KHz

I<sub>RMS</sub> is the maximum R.M.S current at 10KHz、T<sub>amb</sub>=70℃、  
ΔT<sub>case</sub>≤20℃.( Coefficient of heat dissipation: 10W/m<sup>2</sup>/℃)



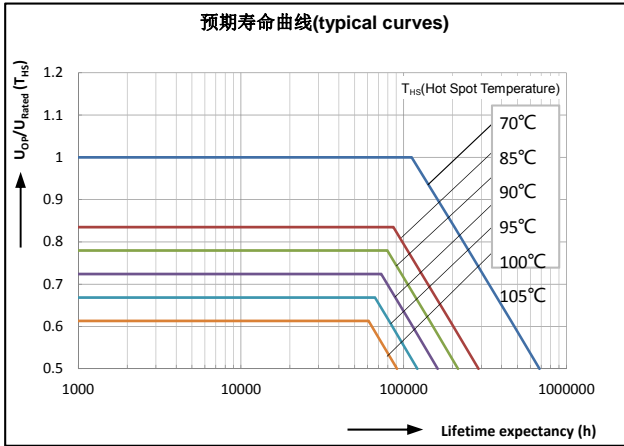


# CBB60B

## CBB60B series

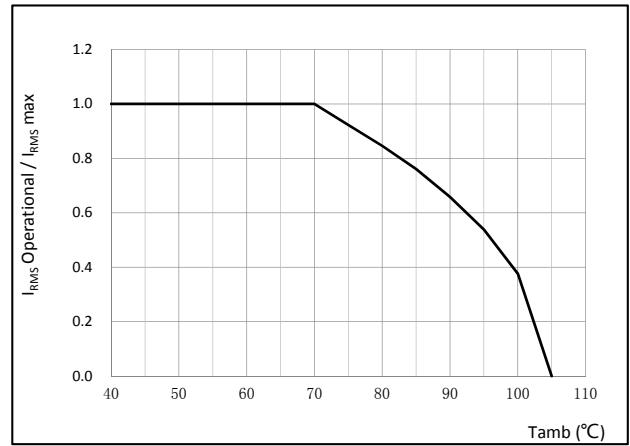
### ◆ 预期寿命曲线

Expected Lifetime Curves:



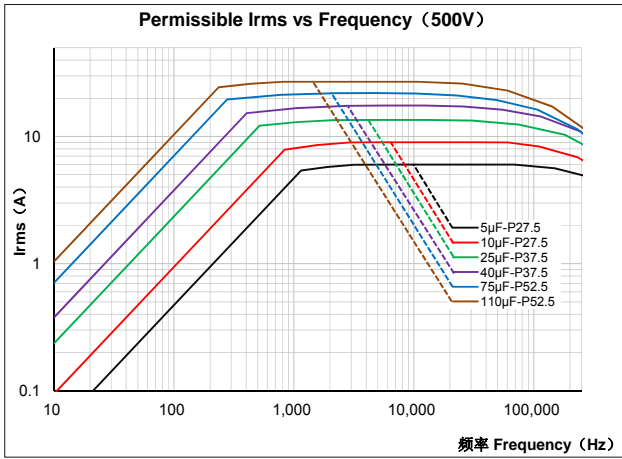
### ◆ 纹波电流降额曲线

Irms Derating vs Ambient Temperature:

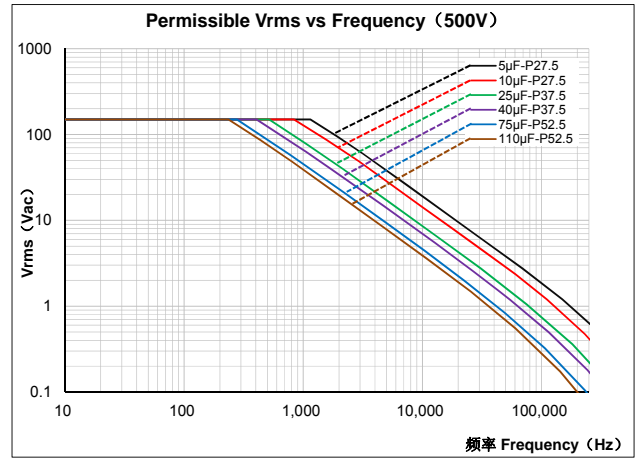


### ◆ 有效值电流频率曲线 Permissible Vrms & Irms vs Frequency

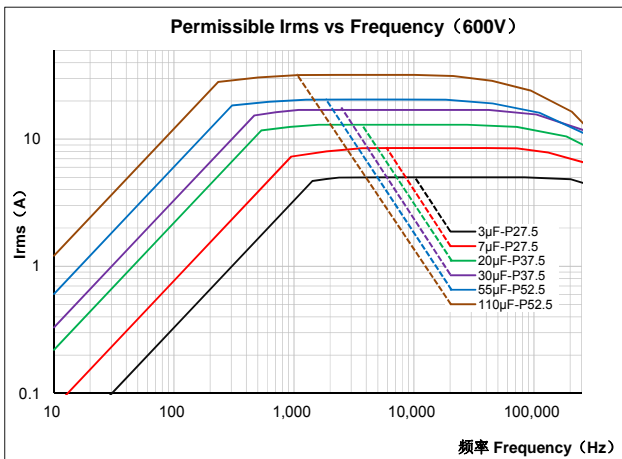
500V<sub>NDC</sub> P27.5~P52.5(Irms)



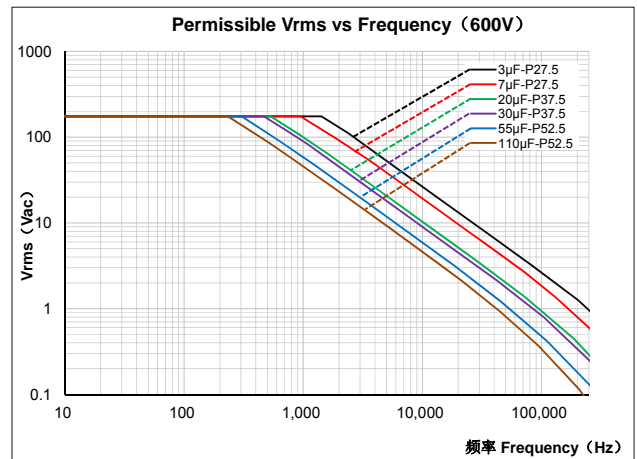
500V<sub>NDC</sub> P27.5~P52.5(Vrms)



600V<sub>NDC</sub> P27.5~P52.5(Irms)



600V<sub>NDC</sub> P27.5~P52.5(Vrms)



注:

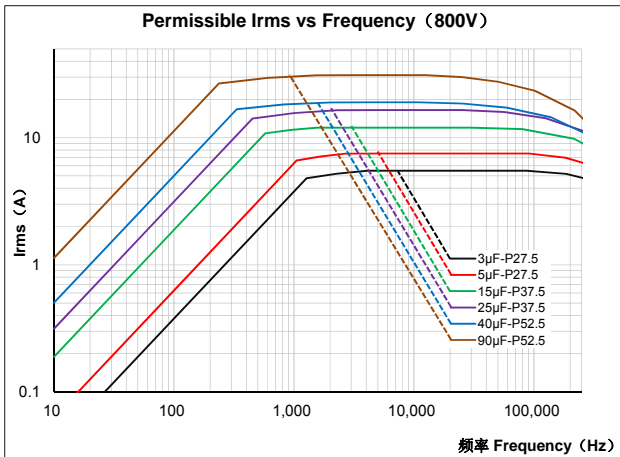
纹波电流或纹波电压值基于 Tamb=70°C 条件下;  
产品散热系数: 10W/m<sup>2</sup>/°C;  
当 f ≥ 100KHz, Irms 和 Vrms 仅供参考。

Note:

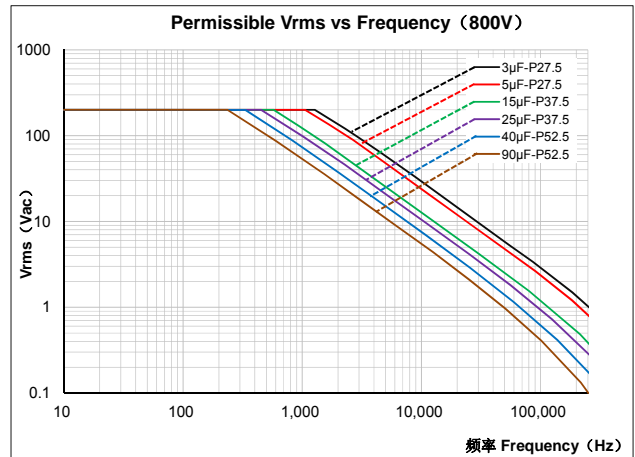
Permissible Vrms & Irms curves frequency f at Tamb=70°C ;  
Coefficient of heat dissipation: 10W/m<sup>2</sup>/°C ;  
At f ≥ 100KHz, Irms & Vrms are only for reference.

◆有效值电流频率曲线 Permissible Vrms & Irms vs Frequency

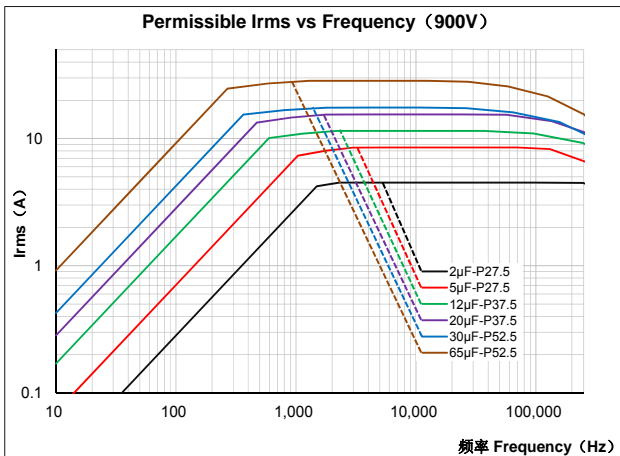
**800V<sub>NDC</sub> P27.5~P52.5(Irms)**



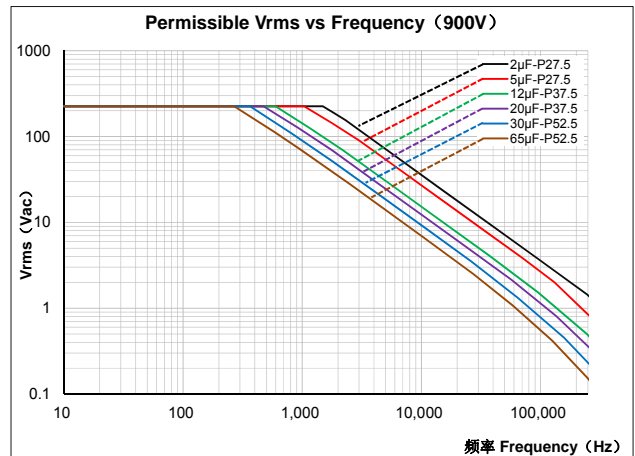
**800V<sub>NDC</sub> P27.5~P52.5(Vrms)**



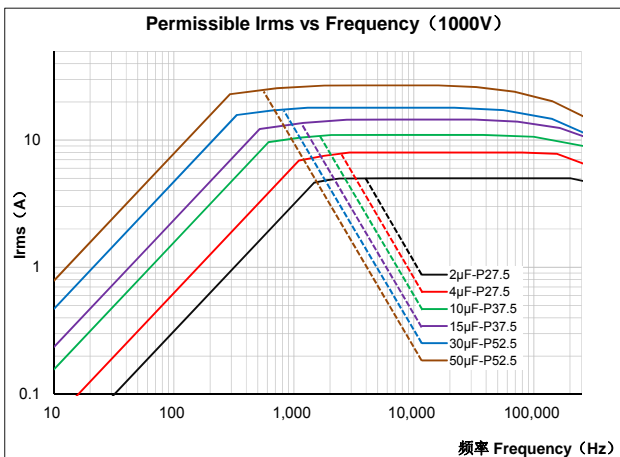
**900V<sub>NDC</sub> P27.5~P52.5(Irms)**



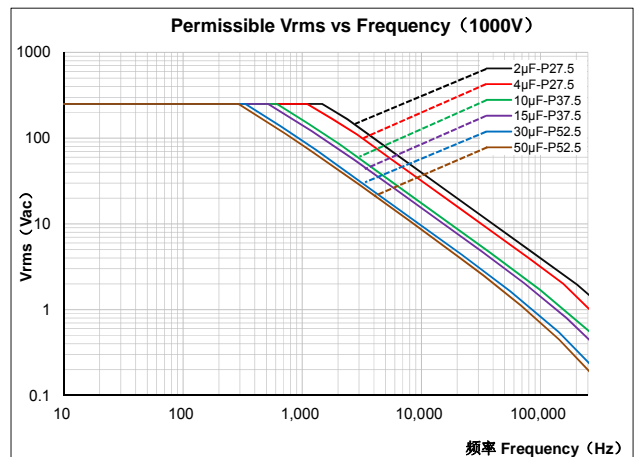
**900V<sub>NDC</sub> P27.5~P52.5(Vrms)**



**1000V<sub>NDC</sub> P27.5~P52.5(Irms)**



**1000V<sub>NDC</sub> P27.5~P52.5(Vrms)**



注:

纹波电流或纹波电压值基于  $T_{amb}=70^{\circ}\text{C}$  条件下;  
 产品散热系数:  $10\text{W}/\text{m}^2/^{\circ}\text{C}$ ;  
 当  $f \geq 100\text{KHz}$ ,  $I_{rms}$  和  $V_{rms}$  仅供参考。

Note:

Permissible Vrms & Irms curves frequency  $f$  at  $T_{amb}=70^{\circ}\text{C}$  ;  
 Coefficient of heat dissipation:  $10\text{W}/\text{m}^2/^{\circ}\text{C}$  ;  
 At  $f \geq 100\text{KHz}$ ,  $I_{rms}$  &  $V_{rms}$  are only for reference.

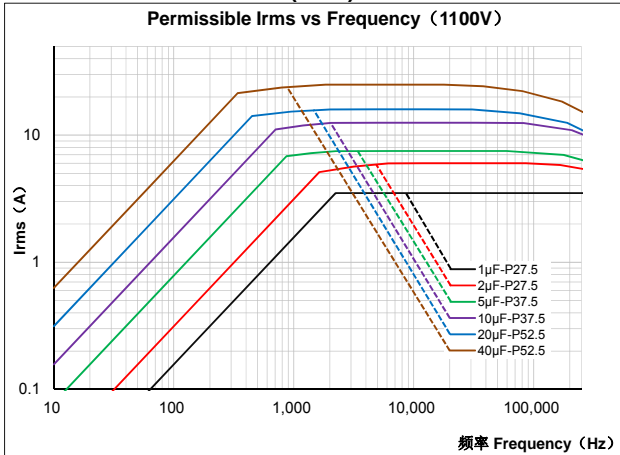


# CBB60B

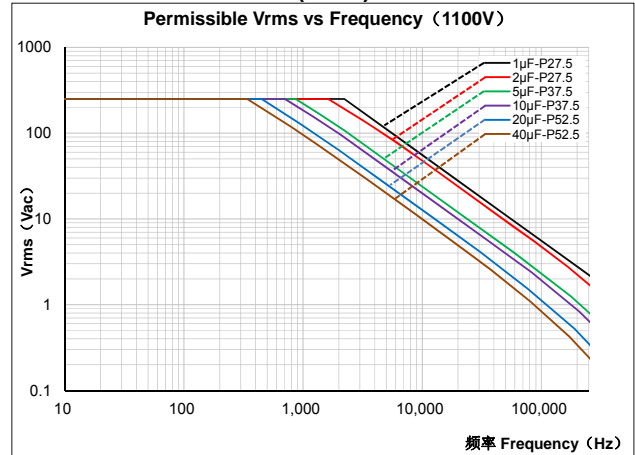
## CBB60B series

### ◆有效值电流频率曲线 Permissible Vrms & Irms vs Frequency

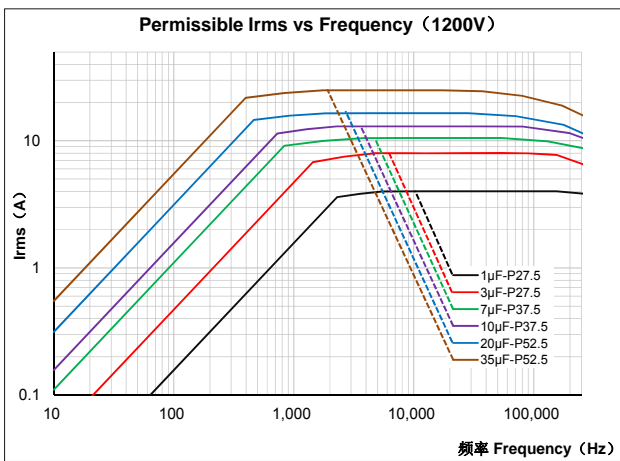
1100V<sub>NDC</sub> P27.5~P52.5(Irms)



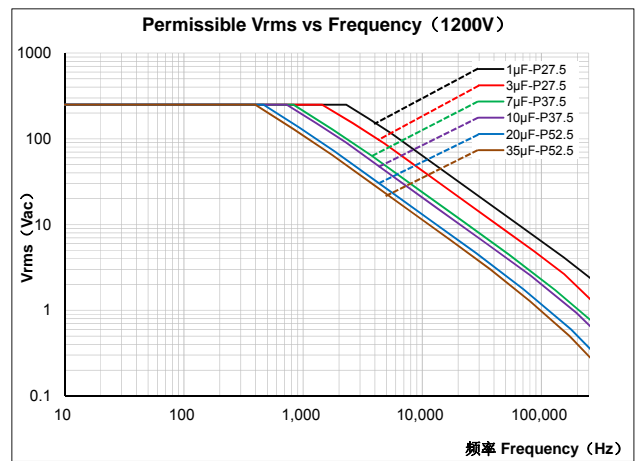
1100V<sub>NDC</sub> P27.5~P52.5(Vrms)



1200V<sub>NDC</sub> P27.5~P52.5(Irms)



1200V<sub>NDC</sub> P27.5~P52.5(Vrms)



注:

纹波电流或纹波电压值基于  $T_{amb}=70^{\circ}C$  条件下;  
 产品散热系数:  $10W/m^2/^{\circ}C$ ;  
 当  $f \geq 100KHz$ ,  $I_{rms}$  和  $V_{rms}$  仅供参考。

Note:

Permissible Vrms & Irms curves frequency  $f$  at  $T_{amb}=70^{\circ}C$  ;  
 Coefficient of heat dissipation:  $10W/m^2/^{\circ}C$  ;  
 At  $f \geq 100KHz$ ,  $I_{rms}$  &  $V_{rms}$  are only for reference.

◆可靠性: Reliability.

Test description	Reference	Test conditions	Determine criteria
极间耐压 Voltage test between terminals	IEC 61071	1.5 x U <sub>NDC</sub> at Tamb Duration: 60 s	No visible damage  ΔC/C : ≤0.5% tanδ: ≤1.2 initial tanδ+ 1×10 <sup>-4</sup> at10KHz R <sub>ins</sub> : ≥ 50% of IR limit
耐焊接热 Resistance to soldering heat	IEC 60068-2-20	Solder bath temperature at 260°C±5°C, Immersion time: 10s±1s	No visible damage  ΔC/C : ≤0.5% Increase of tan δ: ≤ 50 ×10 <sup>-4</sup> at10KHz
引出端强度 Robustness of terminations	IEC 60068-2-21	Wire diameter & Tensile force	No visible damage
		0.5 < d ≤ 0.8mm 10N	
		0.8 < d ≤ 1.25mm 20N	
放电实验 Surge discharge test	IEC 61071	1.1 x U <sub>NDC</sub> Number of discharges: 5(within 10 minutes)	No visible damage  ΔC/C : ≤1.0% tanδ: ≤1.2 initial tanδ+ 1×10 <sup>-4</sup> at10KHz R <sub>ins</sub> : ≥ 50% of IR limit
温度变化 Change of temperature	IEC 60068-2-14	Tmax. =85 °C Tmin. = - 40 °C Transition time: 1 h, equivalent to 1°C/min 5 cycles	No visible damage  ΔC/C : ≤2.0% Increase of tan δ: ≤ 150 ×10 <sup>-4</sup> at10KHz R <sub>ins</sub> : 50% of IR limit
耐湿性 Damp heat steady	IEC 60068-2-78	Tmax. = 40 °C RH = 93 % Duration 56 days	No visible damage  ΔC/C : ≤2.0% Increase of tan δ: ≤ 150 ×10 <sup>-4</sup> at10KHz R <sub>ins</sub> : 50% of IR limit
耐湿负荷 Biased humidity	AEC-Q200	T =40 °C RH = 93 % at U <sub>NDC</sub> Duration: 1000h	NO visible damage  ΔC/C : ≤ 5 %  Δtan δ / tan δ : ≤ 200% at 10KHz R <sub>ins</sub> : ≥ 200MΩ
		T =60 °C RH = 93 % at U <sub>NDC</sub> Duration: 1000h	NO visible damage  ΔC/C : ≤ 5 %  Δtan δ / tan δ : ≤ 200% at 10KHz R <sub>ins</sub> : ≥ 200MΩ
耐久性 Endurance test between terminals	IEC 61071	1.3 ×U <sub>NDC</sub> at Tmax. = 85 °C, Duration 500 h 1000 × discharge at 1.4 × I (repetitive peak current in continuous operation) 1.3× U <sub>NDC</sub> at Tmax. = 85 °C Duration 500 h	No visible damage  ΔC/C : ≤3.0% Increase of tan δ: ≤ 150 ×10 <sup>-4</sup> at10KHz R <sub>ins</sub> : 50% of IR limit
自愈性测试 Self healing test	IEC 61071	1.5 ×U <sub>NDC</sub> Duration 10 sec , Number of Self healing ≤ 5, increase the voltage at 100 V/s till 5, with a max. of 2.5×U <sub>NDC</sub> for a duration of 10 sec	No visible damage  ΔC/C : ≤ 0.5 % tan δ: ≤ 1.1 initial tan δ + 1×10 <sup>-4</sup> at10KHz
振动 Vibration	IEC60068	f=10 Hz to 55 Hz a=±0.35mm Test duration per axis = 10 frequency cycles (3 axes offset from each other by 90°)。 1 octave/min, the total times are 135 min for 3axes	No visible damage



CBB60H (THB)

CBB60H series (THB)

## CBB60H 高防潮型 DC-Link 电容器(THB)

### CBB60H Strong Moisture Resistance Type DC-Link Capacitor(THB)

< 85°C/85%RH / 1000h / U<sub>NDC</sub>(85°C) >

#### ◆ 外形尺寸图及产品结构 Outline Drawing and Capacitor Construction

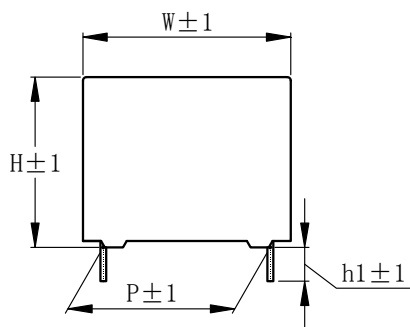


图 1: 2Pins

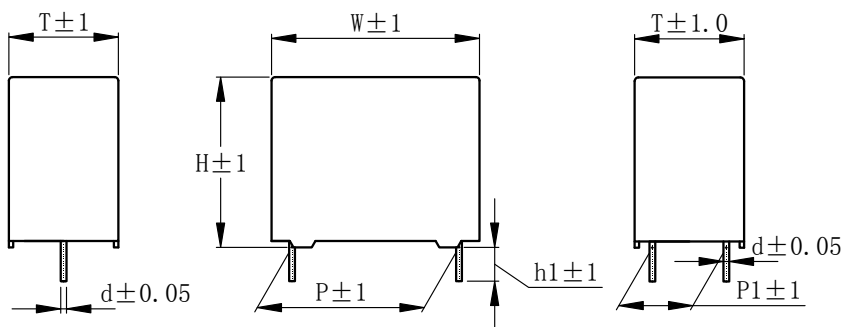


图 2: 4Pins

#### ◆ 特点及用途 Application and Feature

自感小, 等效串联电阻小, 大纹波电流承受能力, 高防潮性, 通常用于变频器、感应加热设备、UPS 等的直流母线滤波电路当中。

Low ESL, Low ESR, Support high ripple current, strong moisture resistance, especially used in DC-Link circuit for UPS, inverter, induction heating equipment.

#### ◆ 技术要求 Specifications

参照标准 Reference Standard	GB/T 17702、IEC 61071	
气候类别 Climatic Category	40/85/56	
额定电压 Rated Voltage (70°C)	500Vdc、600Vdc、800Vdc、900Vdc、1000Vdc、1100Vdc、1200Vdc	
工作温度范围(热点) Operation Temperature Range (Hot Spot)	-40°C~105°C (+85°C~+105°C: 1.35%/°C of U <sub>OP</sub> derating compared to U <sub>OP</sub> at 85°C)	
电容量 Capacitance Range	1.0μF~110μF	
电容量偏差 Capacitance Tolerance	±5%(J)、±10%(K) (20±5°C, 1KHz)	
耐电压 Voltage Proof	极间 Between Terminals	U=1.5U <sub>NDC</sub> (20°C, 10s)
	极壳 Between Terminals to Case	2000Vac (10s), 50Hz
绝缘电阻 Insulation Resistance	IR × C ≥ 10 000s (20°C, 100Vdc, 1min)	
最大峰值电流 I <sup>^</sup> (A) Maximum Peak Current(A)	I <sup>^</sup> = C <sub>R</sub> × Dv/dt	
工作寿命 Operation Life Time	参照预期寿命曲线 Refer to Expected Lifetime Curves	
过电压 Over Voltage	一天之内的最长持续时间 Maximum Duration within Day	说明 Observation
	1.1 U <sub>NDC</sub> (30% of on-load-dur.)	系统调整 System Regulation
	1.15 U <sub>NDC</sub> (30min/day)	
	1.2 U <sub>NDC</sub> (5min/day)	
	1.3 U <sub>NDC</sub> (1min/day)	

◆ 产品代码编写说明: Part number code system:

16 位产品代码如下: The 16 digits part number is formed as follow:

1 2 3 4 5 6 7 8 9 10 11 12 13 14 15 16

C	6	0	H												
---	---	---	---	--	--	--	--	--	--	--	--	--	--	--	--

10<sup>7</sup>

第 1~4 位	薄膜电容器系列代码 C60H=CBB60H	Digit 1~4	Series code of film capacitor C60H=CBB60H
第 5~7 位	标称容量代码 举例: 105=10×10 <sup>5</sup> pF=1μF	Digit 5~7	Rated capacitance value code For example:105=10×10 <sup>5</sup> pF=1μF
第 8 位	容量等级代码 J=±5%K=±10%	Digit 8	Capacitance tolerance code J=±5%K=±10%
第 9~10 位	直流额定电压代码 2H=500V 1U=600V 1W=800V 1X=900V 3A=1000V 3K=1100V 3L=1200V	Digit 9~10	DC rated voltage code 2H=500V 1U=600V 1W=800V 1X=900V 3A=1000V 3K=1100V 3L=1200V
第 11 位	引线间距 B=27.5mm E=37.5mm G=52.5mm	Digit 11	Pitch B=27.5mm E=37.5mm G=52.5mm
第 12 位	内部特征码	Digit 12	Internal use
第 13~16 位	引出端代码 见表 1	Digit 13~16	Terminals code Referring to table 1
表 1	引线形式代码	Table 1	Lead form code

第13位 Digit13		第14~15位 Digit14~Digit15		第 16 位 Digit16	
引线形式及P1 Lead form and pitch P1		引线长度 Lead length		引线长度偏差 Length tolerance	
代码 Code	说明 explanation	代码 Code	说明 explanation	代码 Code	说明 explanation
0	2Pins P1=0mm	00	标准引线长度5.5mm standard lead length 5.5mm	0	引线长度偏差±1.0mm Length tolerance±1.0mm
1	4Pins P1=5.1mm				
2	4Pins P1=10.2mm				
3	4Pins P1=12.7mm				
4	4Pins P1=15.2mm				
5	4Pins P1=20.3mm				



# CBB60H (THB)

## CBB60H series (THB)

◆ 产品尺寸及性能参数: Product Dimension and Characteristic Data:

U <sub>NDC</sub> (70°C): 500Vdc/U <sub>NDC</sub> (85°C): 450Vdc												
C (μF)	W	H	T	P	P1	d	dv/dt (V/μs)	tgδ×(10 <sup>-4</sup> )		ESR (mΩ)	I <sub>RMS</sub> (A)	产品代码 Part number
								1KHz	10KHz			
5	32	25	11	27.5	-	0.8	65	10	70	12.0	6.0	C60H505-2HB00000
6	32	28	14	27.5	-	0.8	65	10	72	10.5	7.0	C60H605-2HB00000
7	32	28	14	27.5	-	0.8	65	10	74	9.0	8.0	C60H705-2HB00000
8	32	28	14	27.5	-	0.8	65	10	75	8.0	8.5	C60H805-2HB00000
9	32	28	14	27.5	-	0.8	65	10	77	7.5	8.5	C60H905-2HB00000
10	32	30	16	27.5	-	0.8	65	11	78	7.0	9.5	C60H106-2HB00000
12	32	30	16	27.5	-	0.8	65	11	81	6.0	10.0	C60H126-2HB00000
15	32	33	18	27.5	-	0.8	65	11	86	5.0	12.0	C60H156-2HB00000
15	32	33	18	27.5	10.2	0.8	65	10	74	4.5	12.5	C60H156-2HB02000
20	32	37	22	27.5	-	0.8	65	12	98	4.5	12.0	C60H206-2HB00000
20	32	37	22	27.5	10.2	0.8	65	11	80	4	15.5	C60H206-2HB02000
15	42	30	16	37.5	-	1	30	19	167	9.5	9.0	C60H156-2HE00000
20	42	33.5	18.5	37.5	-	1	30	20	172	7.5	11.0	C60H206-2HE00000
20	42	33.5	18.5	37.5	10.2	1	30	19	162	7.0	11.5	C60H206-2HE02000
25	42	40	20	37.5	-	1	30	21	180	6.5	13.0	C60H256-2HE00000
25	42	40	20	37.5	10.2	1	30	19	166	6.0	13.5	C60H256-2HE02000
30	42	44	24	37.5	-	1	30	22	192	5.5	14.0	C60H306-2HE00000
30	42	44	24	37.5	10.2	1	30	20	172	5.0	16.0	C60H306-2HE02000
35	42	44	24	37.5	-	1	30	22	196	5.0	14.0	C60H356-2HE00000
35	42	44	24	37.5	10.2	1	30	20	174	4.5	16.5	C60H356-2HE02000
40	42	45	30	37.5	10.2	1.2	30	20	173	4.0	19.0	C60H406-2HE02000
40	42	45	30	37.5	20.3	1.2	30	20	173	4.0	19.0	C60H406-2HE05000
50	42	45	30	37.5	10.2	1.2	30	20	176	3.0	22.0	C60H506-2HE02000
50	42	45	30	37.5	20.3	1.2	30	20	176	3.0	22.0	C60H506-2HE05000
60	42	50	30	37.5	10.2	1.2	30	21	181	3.0	22.5	C60H606-2HE02000
60	42	50	30	37.5	20.3	1.2	30	21	181	3.0	22.5	C60H606-2HE05000
70	42	55	35	37.5	10.2	1.2	30	22	192	2.5	26.5	C60H706-2HE02000
70	42	55	35	37.5	20.3	1.2	30	22	192	2.5	26.5	C60H706-2HE05000
80	42	55	35	37.5	10.2	1.2	30	22	195	2.5	26.5	C60H806-2HE02000
80	42	55	35	37.5	20.3	1.2	30	22	195	2.5	26.5	C60H806-2HE05000
70	57	45	30	52.5	10.2	1.2	15	36	333	4.0	21.5	C60H706-2HG02000
70	57	45	30	52.5	20.3	1.2	15	36	333	4.0	21.5	C60H706-2HG05000
80	57	50	30	52.5	10.2	1.2	15	36	341	4.0	22.0	C60H806-2HG02000
80	57	50	30	52.5	20.3	1.2	15	36	341	4.0	22.0	C60H806-2HG05000
90	57	50	35	52.5	20.3	1.2	15	37	350	3.5	24.5	C60H906-2HG05000
100	57	50	35	52.5	20.3	1.2	15	37	353	3.0	26.5	C60H107-2HG05000
110	57	57	35	52.5	20.3	1.2	15	38	362	3.0	28.0	C60H117-2HG05000

# CBB60H (THB)

## CBB60H series (THB)



◆ 产品尺寸及性能参数: Product Dimension and Characteristic Data:

U <sub>NDC</sub> (70°C): 600Vdc/U <sub>NDC</sub> (85°C): 500Vdc												
C (μF)	W	H	T	P	P1	d	dv/dt (V/μs)	tgδ×(10 <sup>-4</sup> )		ESR (mΩ)	I <sub>RMS</sub> (A)	产品代码 Part number
								1KHz	10KHz			
4	32	25	11	27.5	-	0.8	65	9	61	13.0	6.0	C60H405-1UB00000
5	32	28	14	27.5	-	0.8	65	9	62	10.5	7.0	C60H505-1UB00000
6	32	28	14	27.5	-	0.8	65	9	64	9.0	8.0	C60H605-1UB00000
7	32	30	16	27.5	-	0.8	65	9	65	8.0	9.0	C60H705-1UB00000
8	32	30	16	27.5	-	0.8	65	9	67	7.0	9.5	C60H805-1UB00000
10	32	33	18	27.5	-	0.8	65	10	70	6.0	10.0	C60H106-1UB00000
10	32	33	18	27.5	10.2	0.8	65	9	62	5.5	11.5	C60H106-1UB02000
15	32	37	22	27.5	-	0.8	65	11	81	4.5	10.0	C60H156-1UB00000
15	32	37	22	27.5	10.2	0.8	65	9	67	4.0	14.5	C60H156-1UB02000
10	42	30	16	37.5	-	1	30	17	141	12.0	8.0	C60H106-1UE00000
15	42	33.5	18.5	37.5	-	1	30	17	146	8.5	10.5	C60H156-1UE00000
15	42	33.5	18.5	37.5	10.2	1	30	17	138	8.0	10.5	C60H156-1UE02000
20	42	40	20	37.5	-	1	30	18	153	6.5	13.0	C60H206-1UE00000
20	42	40	20	37.5	10.2	1	30	17	142	6.0	13.5	C60H206-1UE02000
25	42	44	24	37.5	-	1	30	19	163	5.5	14.0	C60H256-1UE00000
25	42	44	24	37.5	10.2	1	30	17	147	5.0	16.0	C60H256-1UE02000
30	42	45	30	37.5	10.2	1.2	30	17	146	4.5	17.5	C60H306-1UE02000
30	42	45	30	37.5	20.3	1.2	30	17	146	4.5	17.5	C60H306-1UE05000
35	42	45	30	37.5	10.2	1.2	30	17	148	4.0	19.0	C60H356-1UE02000
35	42	45	30	37.5	20.3	1.2	30	17	148	4.0	19.0	C60H356-1UE05000
40	42	50	30	37.5	10.2	1.2	30	18	151	3.5	21.0	C60H406-1UE02000
40	42	50	30	37.5	20.3	1.2	30	18	151	3.5	21.0	C60H406-1UE05000
50	42	55	35	37.5	20.3	1.2	30	19	160	3.0	24.5	C60H506-1UE05000
55	42	55	35	37.5	20.3	1.2	30	19	162	2.5	26.5	C60H556-1UE05000
50	57	45	30	52.5	10.2	1.2	15	31	283	5.0	19.0	C60H506-1UG02000
50	57	45	30	52.5	20.3	1.2	15	31	283	5.0	19.0	C60H506-1UG05000
60	57	50	30	52.5	10.2	1.2	15	31	289	4.5	21.0	C60H606-1UG02000
60	57	50	30	52.5	20.3	1.2	15	31	289	4.5	21.0	C60H606-1UG05000
70	57	50	35	52.5	20.3	1.2	15	32	296	4.0	23.0	C60H706-1UG05000
80	57	57	35	52.5	20.3	1.2	15	33	303	3.5	26.0	C60H806-1UG05000
90	57	60	40	52.5	20.3	1.2	15	34	318	3.0	29.5	C60H906-1UG05000
100	57	60	40	52.5	20.3	1.2	15	34	322	3.0	29.5	C60H107-1UG05000
110	57	60	45	52.5	20.3	1.2	15	35	331	3.0	30.0	C60H117-1UG05000





# CBB60H (THB)

CBB60H series (THB)

◆ 产品尺寸及性能参数: Product Dimension and Characteristic Data:

U <sub>NDC</sub> (70℃): 800Vdc/U <sub>NDC</sub> (85℃): 700Vdc												
C (μF)	W	H	T	P	P1	d	dv/dt (V/μs)	tgδ×(10 <sup>-4</sup> )		ESR (mΩ)	I <sub>RMS</sub> (A)	产品代码 Part number
								1KHz	10KHz			
3	32	25	11	27.5	-	0.8	65	8	53	15.0	5.5	C60H305-1WB00000
4	32	28	14	27.5		0.8	65	8	51	11.0	7.0	C60H405-1WB00000
5	32	28	14	27.5	-	0.8	65	8	56	9.5	7.5	C60H505-1WB00000
6	32	30	16	27.5	-	0.8	65	8	57	8.0	9.0	C60H605-1WB00000
8	32	33	18	27.5	-	0.8	65	9	61	6.5	10.5	C60H805-1WB00000
8	32	33	18	27.5	10.2	0.8	65	8	54	6.0	11.0	C60H805-1WB02000
10	32	37	22	27.5	-	0.8	65	9	66	6.0	12.0	C60H106-1WB00000
10	32	37	22	27.5	10.2	0.8	65	8	57	5.0	13.0	C60H106-1WB02000
8	42	30	16	37.5	-	1	30	15	123	13.0	7.5	C60H805-1WE00000
10	42	33.5	18.5	37.5	-	1	30	15	125	10.5	9.5	C60H106-1WE00000
10	42	33.5	18.5	37.5	10.2	1	30	15	120	10	9.5	C60H106-1WE02000
15	42	40	20	37.5	-	1	30	16	132	7.5	12.0	C60H156-1WE00000
15	42	40	20	37.5	10.2	1	30	15	124	7.0	12.5	C60H156-1WE02000
20	42	44	24	37.5	-	1	30	17	141	6.0	14.0	C60H206-1WE00000
20	42	44	24	37.5	10.2	1	30	15	128	5.5	15.0	C60H206-1WE02000
25	42	45	30	37.5	10.2	1.2	30	15	128	4.5	17.5	C60H256-1WE02000
25	42	45	30	37.5	20.3	1.2	30	15	128	4.5	17.5	C60H256-1WE05000
30	42	50	30	37.5	10.2	1.2	30	16	131	4.0	19.5	C60H306-1WE02000
30	42	50	30	37.5	20.3	1.2	30	16	131	4.0	19.5	C60H306-1WE05000
40	42	55	35	37.5	10.2	1.2	30	16	138	3.0	24.5	C60H406-1WE02000
40	42	55	35	37.5	20.3	1.2	30	16	138	3.0	24.5	C60H406-1WE05000
40	57	45	30	52.5	10.2	1.2	15	27	246	5.5	18.0	C60H406-1WG02000
40	57	45	30	52.5	20.3	1.2	15	27	246	5.5	18.0	C60H406-1WG05000
45	57	50	30	52.5	10.2	1.2	15	28	250	5.0	20.0	C60H456-1WG02000
45	57	50	30	52.5	20.3	1.2	15	28	250	5.0	20.0	C60H456-1WG05000
50	57	50	35	52.5	20.3	1.2	15	28	254	4.5	21.5	C60H506-1WG05000
55	57	50	35	52.5	20.3	1.2	15	28	256	4.0	23.0	C60H556-1WG05000
60	57	57	35	52.5	20.3	1.2	15	29	261	4.0	24.0	C60H606-1WG05000
65	57	57	35	52.5	20.3	1.2	15	29	262	3.5	26.0	C60H656-1WG05000
70	57	60	40	52.5	20.3	1.2	15	30	273	3.5	27.0	C60H706-1WG05000
75	57	60	40	52.5	20.3	1.2	15	30	275	3.5	27.0	C60H756-1WG05000
80	57	60	45	52.5	20.3	1.2	15	30	281	3.0	30.0	C60H806-1WG05000
90	57	60	45	52.5	20.3	1.2	15	31	285	3.0	30.0	C60H906-1WG05000

◆ 产品尺寸及性能参数: Product Dimension and Characteristic Data:

U <sub>NDC</sub> (70℃): 900Vdc/U <sub>NDC</sub> (85℃): 760Vdc												
C (μF)	W	H	T	P	P1	d	dv/dt (V/μs)	tgδ×(10 <sup>-4</sup> )		ESR (mΩ)	I <sub>RMS</sub> (A)	产品代码 Part number
								1KHz	10KHz			
2	32	25	11	27.5	-	0.8	70	7	46	19.5	5.0	C60H205-1XB00000
3	32	28	14	27.5	-	0.8	70	7	48	13.5	6.5	C60H305-1XB00000
4	32	28	14	27.5	-	0.8	70	8	49	10.5	7.0	C60H405-1XB00000
5	32	30	16	27.5	-	0.8	70	8	51	9.0	8.5	C60H505-1XB00000
6	32	33	18	27.5	-	0.8	70	8	53	7.5	9.5	C60H605-1XB00000
6	32	33	18	27.5	10.2	0.8	70	7	48	7.0	10.0	C60H605-1XB02000
7	32	37	22	27.5	-	0.8	70	8	56	7.0	11.0	C60H705-1XB00000
7	32	37	22	27.5	10.2	0.8	70	8	50	6.5	12.0	C60H705-1XB02000
8	32	37	22	27.5	-	0.8	70	8	58	6.5	11.5	C60H805-1XB00000
8	32	37	22	27.5	10.2	0.8	70	8	50	6.0	12.0	C60H805-1XB02000
9	32	37	22	27.5	-	0.8	70	9	59	5.5	12.0	C60H905-1XB00000
9	32	37	22	27.5	10.2	0.8	70	8	51	5.0	13.0	C60H905-1XB02000
6	42	30	16	37.5	-	1	35	14	109	15.5	7.0	C60H605-1XE00000
9	42	33.5	18.5	37.5	-	1	35	14	112	10.5	9.5	C60H905-1XE00000
9	42	33.5	18.5	37.5	10.2	1	35	13	108	10.0	9.5	C60H905-1XE02000
12	42	40	20	37.5	-	1	35	14	116	8.5	11.0	C60H126-1XE00000
12	42	40	20	37.5	10.2	1	35	14	110	8.0	11.5	C60H126-1XE02000
15	42	44	24	37.5	-	1	35	15	122	7.0	13.5	C60H156-1XE00000
15	42	44	24	37.5	10.2	1	35	14	113	6.5	14.0	C60H156-1XE02000
20	42	45	30	37.5	10.2	1.2	35	14	113	5.0	17.0	C60H206-1XE02000
20	42	45	30	37.5	20.3	1.2	35	14	113	5.0	17.0	C60H206-1XE05000
25	42	50	30	37.5	10.2	1.2	35	14	116	4.0	19.5	C60H256-1XE02000
25	42	50	30	37.5	20.3	1.2	35	14	116	4.0	19.5	C60H256-1XE05000
30	42	55	35	37.5	10.2	1.2	35	15	120	3.5	22.5	C60H306-1XE02000
35	42	55	35	37.5	20.3	1.2	35	15	122	3.0	24.5	C60H356-1XE05000
30	57	45	30	52.5	10.2	1.2	15	24	217	6.5	17.0	C60H306-1XG02000
30	57	45	30	52.5	20.3	1.2	15	24	217	6.5	17.0	C60H306-1XG05000
35	57	50	30	52.5	10.2	1.2	15	25	221	5.5	19.0	C60H356-1XG02000
35	57	50	30	52.5	20.3	1.2	15	25	221	5.5	19.0	C60H356-1XG05000
40	57	50	35	52.5	20.3	1.2	15	25	224	5.0	20.5	C60H406-1XG05000
45	57	50	35	52.5	20.3	1.2	15	25	226	4.5	21.5	C60H456-1XG05000
50	57	57	35	52.5	20.3	1.2	15	26	230	4.0	24.0	C60H506-1XG05000
60	57	60	40	52.5	20.3	1.2	15	26	240	3.5	27.0	C60H606-1XG05000
70	57	60	45	52.5	20.3	1.2	15	27	247	3.0	30.0	C60H706-1XG05000



# CBB60H (THB)

## CBB60H series (THB)

◆ 产品尺寸及性能参数: Product Dimension and Characteristic Data:

U <sub>NDC</sub> (70°C): 1000Vdc/U <sub>NDC</sub> (85°C): 850Vdc												
C (μF)	W	H	T	P	P1	d	dv/dt (V/μs)	tgδ×(10 <sup>-4</sup> )		ESR (mΩ)	I <sub>RMS</sub> (A)	产品代码 Part number
								1KHz	10KHz			
2	32	25	11	27.5	-	0.8	75	7	42	18.0	5.0	C60H205-3AB00000
3	32	28	14	27.5	-	0.8	75	7	44	12.5	6.5	C60H305-3AB00000
4	32	30	16	27.5	-	0.8	75	7	45	9.5	8.0	C60H405-3AB00000
5	32	33	18	27.5	-	0.8	75	7	47	8.0	9.5	C60H505-3AB00000
5	32	33	18	27.5	10.2	0.8	75	7	43	7.5	9.5	C60H505-3AB02000
6	32	37	22	27.5	-	0.8	75	8	50	7.5	10.5	C60H605-3AB00000
6	32	37	22	27.5	10.2	0.8	75	7	45	7.0	11.5	C60H605-3AB02000
7	32	37	22	27.5	-	0.8	75	8	52	6.5	11.5	C60H705-3AB00000
7	32	37	22	27.5	10.2	0.8	75	7	45	6.0	12.5	C60H705-3AB02000
8	32	37	22	27.5	-	0.8	75	8	53	6.0	12.0	C60H805-3AB00000
8	32	37	22	27.5	10.2	0.8	75	7	46	5.5	13.0	C60H805-3AB02000
5	42	30	16	37.5	-	1	37	13	98	16.5	7.0	C60H505-3AE00000
7	42	33.5	18.5	37.5	-	1	37	13	100	12.0	8.5	C60H705-3AE00000
7	42	33.5	18.5	37.5	10.2	1	37	12	97	11.5	9	C60H705-3AE02000
10	42	40	20	37.5	-	1	37	13	104	9.0	11.0	C60H106-3AE00000
10	42	40	20	37.5	10.2	1	37	13	99	8.5	11.0	C60H106-3AE02000
12	42	44	24	37.5	-	1	37	14	109	8.0	12.5	C60H126-3AE00000
12	42	44	24	37.5	10.2	1	37	13	101	7.5	13.0	C60H126-3AE02000
18	42	45	30	37.5	10.2	1.2	37	13	102	5.0	17.0	C60H186-3AE02000
18	42	45	30	37.5	20.3	1.2	37	13	102	5.0	17.0	C60H186-3AE05000
20	42	50	30	37.5	10.2	1.2	37	13	103	4.5	18.5	C60H206-3AE02000
20	42	50	30	37.5	20.3	1.2	37	13	103	4.5	18.5	C60H206-3AE05000
25	42	55	35	37.5	10.2	1.2	37	13	107	4.0	21.0	C60H256-3AE02000
25	42	55	35	37.5	20.3	1.2	37	13	107	4.0	21.0	C60H256-3AE05000
20	57	45	30	52.5	10.2	1.2	17	22	193	8.5	14.5	C60H206-3AG02000
20	57	45	30	52.5	20.3	1.2	17	22	193	8.5	14.5	C60H206-3AG05000
25	57	45	30	52.5	10.2	1.2	17	22	195	7.0	16.0	C60H256-3AG02000
25	57	45	30	52.5	20.3	1.2	17	22	195	7.0	16.0	C60H256-3AG05000
30	57	50	30	52.5	10.2	1.2	17	22	198	6.0	18.0	C60H306-3AG02000
30	57	50	30	52.5	20.3	1.2	17	22	198	6.0	18.0	C60H306-3AG05000
35	57	50	35	52.5	20.3	1.2	17	23	201	5.0	20.5	C60H356-3AG05000
40	57	57	35	52.5	20.3	1.2	17	23	205	4.5	22.5	C60H406-3AG05000
50	57	60	40	52.5	20.3	1.2	17	24	214	4.0	25.5	C60H506-3AG05000
60	57	60	45	52.5	20.3	1.2	17	24	220	3.5	28.0	C60H606-3AG05000

CBB60H (THB)  
CBB60H series (THB)



◆ 产品尺寸及性能参数: Product Dimension and Characteristic Data:

U <sub>NDC</sub> (70℃): 1100Vdc/U <sub>NDC</sub> (85℃): 900Vdc												
C (μF)	W	H	T	P	P1	d	dv/dt (V/μs)	tgδ×(10 <sup>-4</sup> )		ESR (mΩ)	I <sub>RMS</sub> (A)	产品代码 Part number
								1KHz	10KHz			
1.5	32	25	11	27.5	-	0.8	80	7	38	21.5	4.5	C60H155-3KB00000
2	32	28	14	27.5	-	0.8	80	7	39	16.5	5.5	C60H205-3KB00000
3	32	30	16	27.5	-	0.8	80	7	41	11.5	7.5	C60H305-3KB00000
4	32	33	18	27.5	-	0.8	80	7	42	9.0	9.0	C60H405-3KB00000
4	32	33	18	27.5	10.2	0.8	80	7	39	8.5	9.0	C60H405-3KB02000
5	32	37	22	27.5	-	0.8	80	7	45	8.0	10.0	C60H505-3KB00000
5	32	37	22	27.5	10.2	0.8	80	7	41	7.5	11.0	C60H505-3KB02000
6	32	37	22	27.5	-	0.8	80	7	47	6.5	11.5	C60H605-3KB00000
6	32	37	22	27.5	10.2	0.8	80	7	41	6.0	12.0	C60H605-3KB02000
4	42	30	16	37.5	-	1	40	12	89	19.0	6.5	C60H405-3KE00000
6	42	33.5	18.5	37.5	-	1	40	12	91	13.0	8.5	C60H605-3KE00000
6	42	33.5	18.5	37.5	10.2	1	40	12	88	12.5	8.5	C60H605-3KE02000
8	42	40	20	37.5	-	1	40	12	94	10.0	10.5	C60H805-3KE00000
8	42	40	20	37.5	10.2	1	40	12	90	9.5	10.5	C60H805-3KE02000
10	42	44	24	37.5	-	1	40	13	98	8.5	12.0	C60H106-3KE00000
10	42	44	24	37.5	10.2	1	40	12	92	8.0	12.5	C60H106-3KE02000
12	42	45	30	37.5	10.2	1.2	40	12	91	6.5	14.5	C60H126-3KE02000
12	42	45	30	37.5	20.3	1.2	40	12	91	6.5	14.5	C60H126-3KE05000
15	42	50	30	37.5	10.2	1.2	40	12	93	5.5	16.5	C60H156-3KE02000
15	42	50	30	37.5	20.3	1.2	40	12	93	5.5	16.5	C60H156-3KE05000
20	42	55	35	37.5	10.2	1.2	40	12	97	4.5	20.0	C60H206-3KE02000
20	42	55	35	37.5	20.3	1.2	40	12	97	4.5	20.0	C60H206-3KE05000
18	57	45	30	52.5	10.2	1.2	20	20	176	8.5	14.5	C60H186-3KG02000
18	57	45	30	52.5	20.3	1.2	20	20	176	8.5	14.5	C60H186-3KG05000
22	57	50	30	52.5	10.2	1.2	20	20	178	7.0	16.5	C60H226-3KG02000
22	57	50	30	52.5	20.3	1.2	20	20	178	7.0	16.5	C60H226-3KG05000
25	57	50	35	52.5	20.3	1.2	20	21	181	6.5	18.0	C60H256-3KG05000
30	57	57	35	52.5	20.3	1.2	20	21	184	5.5	20.5	C60H306-3KG05000
35	57	60	40	52.5	20.3	1.2	20	22	190	5.0	22.5	C60H356-3KG05000
40	57	60	40	52.5	20.3	1.2	20	22	192	4.5	24.0	C60H406-3KG05000
45	57	60	45	52.5	20.3	1.2	20	22	196	4.0	26.0	C60H456-3KG05000



# CBB60H (THB)

## CBB60H series (THB)

### ◆ 产品尺寸及性能参数: Product Dimension and Characteristic Data:

U <sub>NDc</sub> (70℃): 1200Vdc/U <sub>NDc</sub> (85℃): 1000Vdc												
C (μF)	W	H	T	P	P1	d	dv/dt (V/μs)	tgδ×(10 <sup>-4</sup> )		ESR (mΩ)	I <sub>RMS</sub> (A)	产品代码 Part number
								1KHz	10KHz			
1	32	25	11	27.5	-	0.8	90	6	35	29.5	4.0	C60H105-3LB00000
2	32	28	14	27.5	-	0.8	90	6	36	15.5	6.0	C60H205-3LB00000
2.5	32	30	16	27.5	-	0.8	90	6	37	12.5	7.0	C60H255-3LB00000
3.5	32	33	18	27.5	-	0.8	90	7	39	9.5	8.5	C60H355-3LB00000
3.5	32	33	18	27.5	10.2	0.8	90	6	36	9.0	9.0	C60H355-3LB02000
5	32	37	22	27.5	-	0.8	90	7	42	7.5	10.5	C60H505-3LB00000
5	32	37	22	27.5	10.2	0.8	90	6	38	7.0	11.5	C60H505-3LB02000
3	42	30	16	37.5	-	1	45	11	81	23.0	5.5	C60H305-3LE00000
5	42	33.5	18.5	37.5	-	1	45	11	83	14.5	8.0	C60H505-3LE00000
5	42	33.5	18.5	37.5	10.2	1	45	11	81	14.0	8.0	C60H505-3LE02000
6	42	40	20	37.5	-	1	45	11	85	12.0	9.5	C60H605-3LE00000
6	42	40	20	37.5	10.2	1	45	11	82	11.5	9.5	C60H605-3LE02000
8	42	44	24	37.5	-	1	45	12	89	9.5	11.5	C60H805-3LE00000
8	42	44	24	37.5	10.2	1	45	11	84	9.0	11.5	C60H805-3LE02000
9	42	44	24	37.5	-	1	45	12	90	8.5	12.0	C60H905-3LE00000
9	42	44	24	37.5	10.2	1	45	11	84	8.0	12.5	C60H905-3LE02000
10	42	45	30	37.5	10.2	1.2	45	11	84	7.0	14.0	C60H106-3LE02000
10	42	45	30	37.5	20.3	1.2	45	11	84	7.0	14.0	C60H106-3LE05000
12	42	50	30	37.5	10.2	1.2	45	11	85	6.0	16.0	C60H126-3LE02000
12	42	50	30	37.5	20.3	1.2	45	11	85	6.0	16.0	C60H126-3LE05000
15	42	55	35	37.5	10.2	1.2	45	11	87	5.0	18.5	C60H156-3LE02000
18	42	55	35	37.5	20.3	1.2	45	12	88	4.5	20.0	C60H186-3LE05000
15	57	45	30	52.5	10.2	1.2	23	19	161	9.0	14.0	C60H156-3LG02000
15	57	45	30	52.5	20.3	1.2	23	19	161	9.0	14.0	C60H156-3LG05000
20	57	50	30	52.5	10.2	1.2	23	19	164	7.0	16.5	C60H206-3LG02000
20	57	50	30	52.5	20.3	1.2	23	19	164	7.0	16.5	C60H206-3LG05000
22	57	50	35	52.5	20.3	1.2	23	19	165	6.5	18.0	C60H226-3LG05000
25	57	57	35	52.5	20.3	1.2	23	19	168	6.0	19.5	C60H256-3LG05000
30	57	60	40	52.5	20.3	1.2	23	20	173	5.0	22.5	C60H306-3LG05000
35	57	60	45	52.5	20.3	1.2	23	20	177	4.5	24.5	C60H356-3LG05000

备注:

“-” : 客户要求的容量偏差

ESR 值为 f=10KHz 下的典型值

I<sub>RMS</sub> 值为 f=10KHz、T<sub>amb</sub>=70℃、散热条件 10W/m<sup>2</sup>/℃、  
ΔT<sub>case</sub>≤20℃的最大电流有效值。

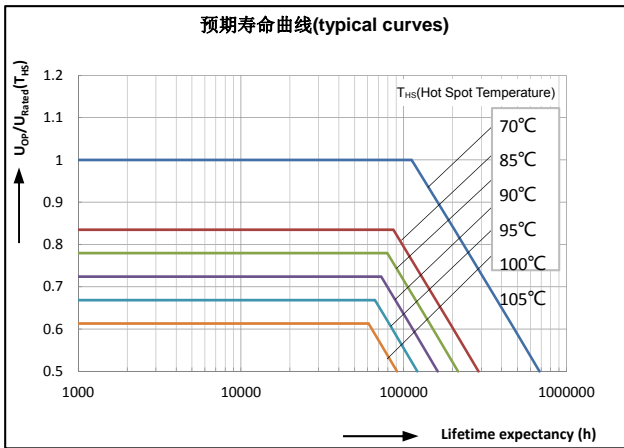
“-”=custom's capacitor tolerance code, J=±5%, K=±10%

ESR typical values at 10KHz

I<sub>RMS</sub> is the maximum R.M.S current at 10KHz、T<sub>amb</sub>=70℃、  
ΔT<sub>case</sub>≤20℃.( Coefficient of heat dissipation: 10W/m<sup>2</sup>/℃)

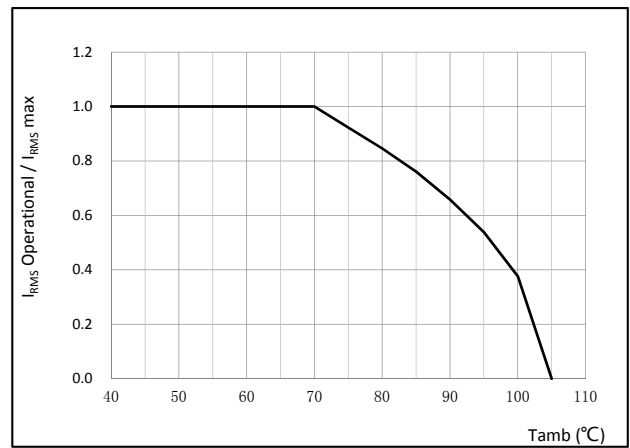
◆ 预期寿命曲线

Expected Lifetime Curves:



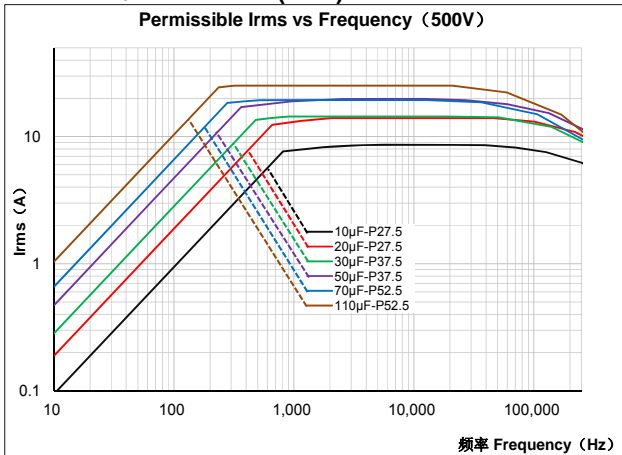
◆ 纹波电流降额曲线

$I_{RMS}$  Derating vs Ambient Temperature:

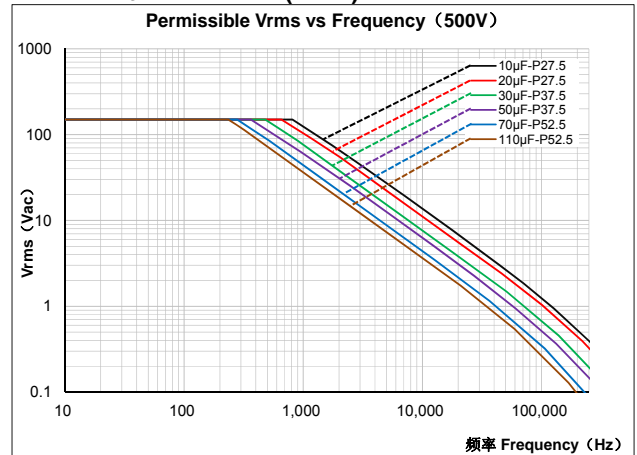


◆ 电流频率曲线 Permissible Irms vs Frequency

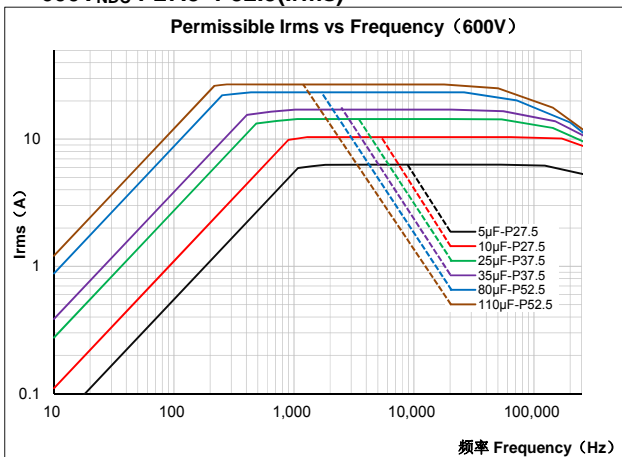
500V<sub>NDC</sub> P27.5~P52.5(I<sub>rms</sub>)



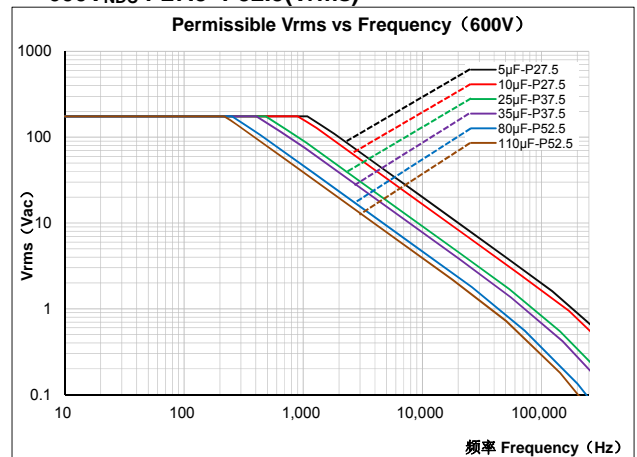
500V<sub>NDC</sub> P27.5~P52.5(V<sub>rms</sub>)



600V<sub>NDC</sub> P27.5~P52.5(I<sub>rms</sub>)



600V<sub>NDC</sub> P27.5~P52.5(V<sub>rms</sub>)



注:

纹波电流或纹波电压值基于  $T_{amb}=70^{\circ}C$  条件下;  
产品散热系数:  $10W/m^2/^{\circ}C$ ;  
当  $f \geq 100KHz$ ,  $I_{rms}$  和  $V_{rms}$  仅供参考。

Note:

Permissible  $V_{rms}$  &  $I_{rms}$  curves frequency  $f$  at  $T_{amb}=70^{\circ}C$  ;  
Coefficient of heat dissipation:  $10W/m^2/^{\circ}C$  ;  
At  $f \geq 100KHz$ ,  $I_{rms}$  &  $V_{rms}$  are only for reference.

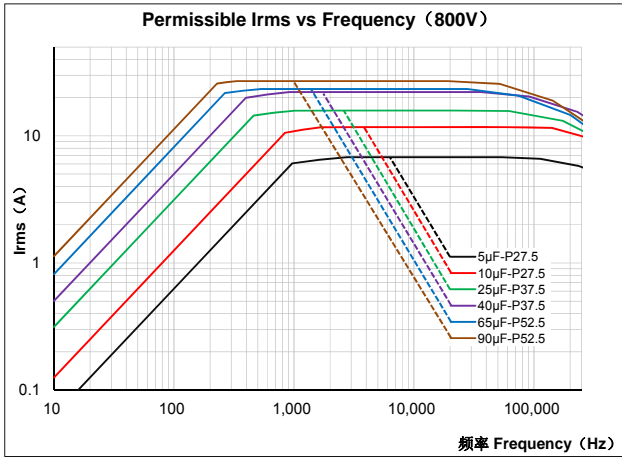


# CBB60H (THB)

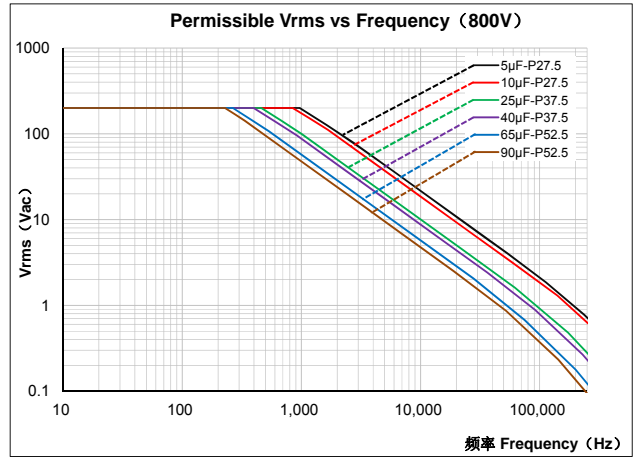
## CBB60H series (THB)

### ◆有效值电流频率曲线 Permissible Vrms & Irms vs Frequency

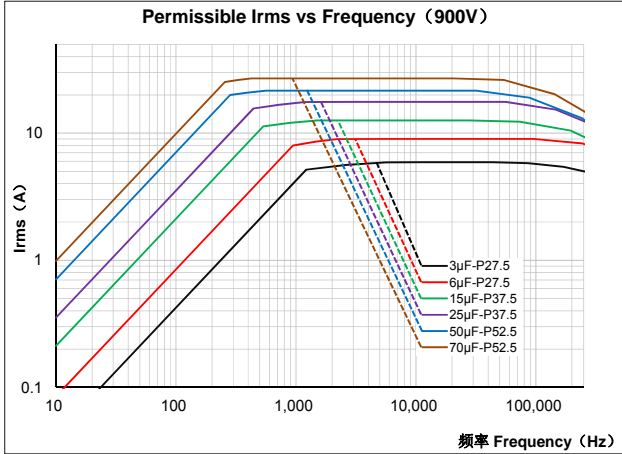
800V<sub>NDC</sub> P27.5~P52.5(Irms)



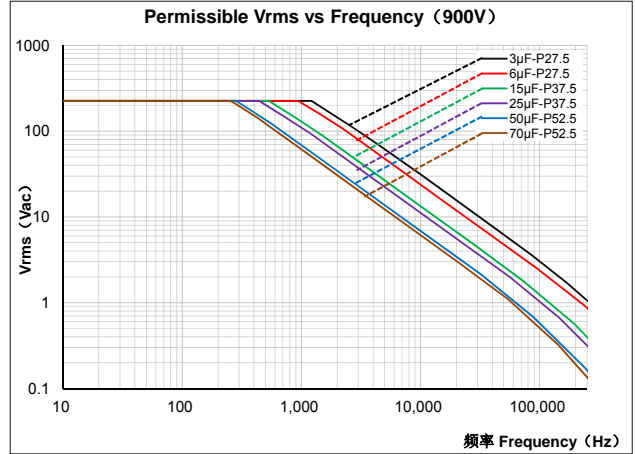
800V<sub>NDC</sub> P27.5~P52.5(Vrms)



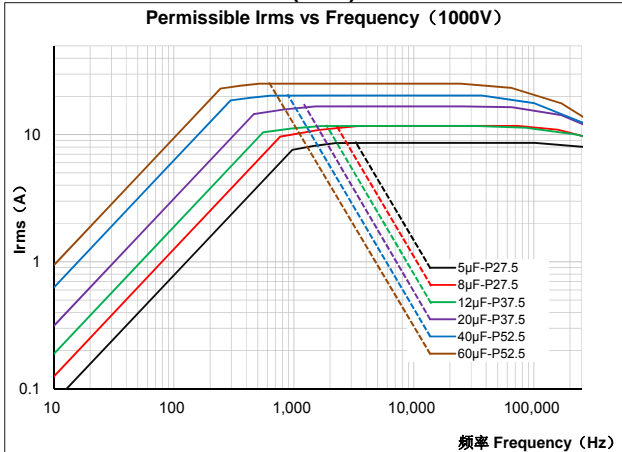
900V<sub>NDC</sub> P27.5~P52.5(Irms)



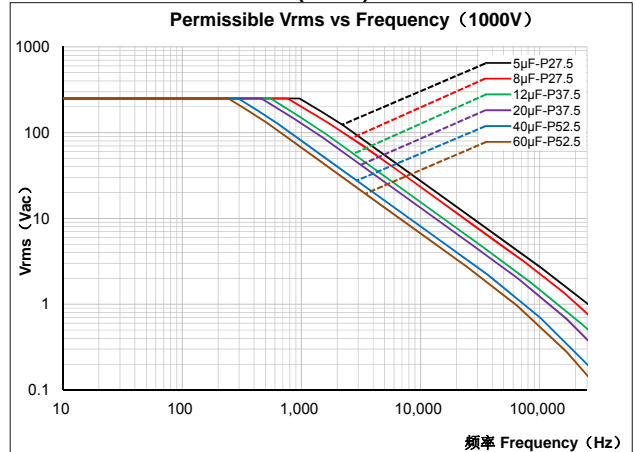
900V<sub>NDC</sub> P27.5~P52.5(Vrms)



1000V<sub>NDC</sub> P27.5~P52.5(Irms)



1000V<sub>NDC</sub> P27.5~P52.5(Vrms)



注:

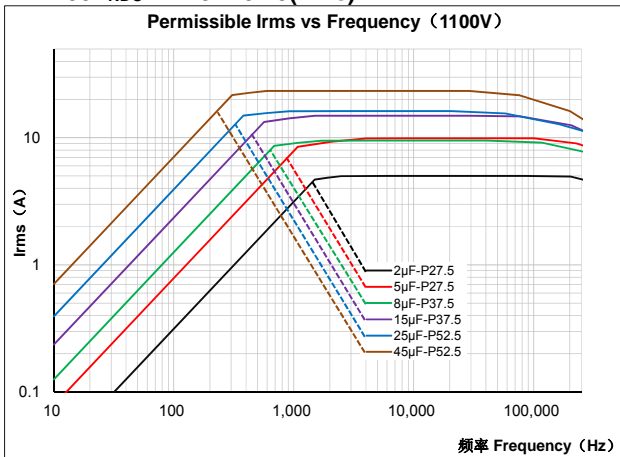
纹波电流或纹波电压值基于  $T_{amb}=70^{\circ}C$  条件下;  
产品散热系数:  $10W/m^2/^{\circ}C$ ;  
当  $f \geq 100KHz$ ,  $I_{rms}$  和  $V_{rms}$  仅供参考。

Note:

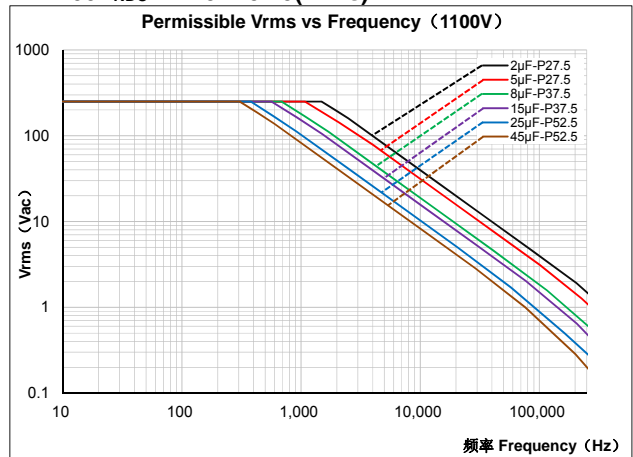
Permissible Vrms & Irms curves frequency  $f$  at  $T_{amb}=70^{\circ}C$  ;  
Coefficient of heat dissipation:  $10W/m^2/^{\circ}C$  ;  
At  $f \geq 100KHz$ ,  $I_{rms}$  &  $V_{rms}$  are only for reference.

◆有效值电流频率曲线 Permissible Vrms & Irms vs Frequency

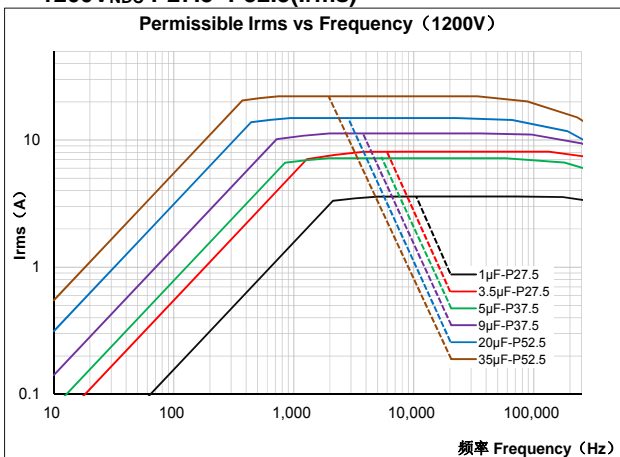
1100V<sub>NDC</sub> P27.5~P52.5(Irms)



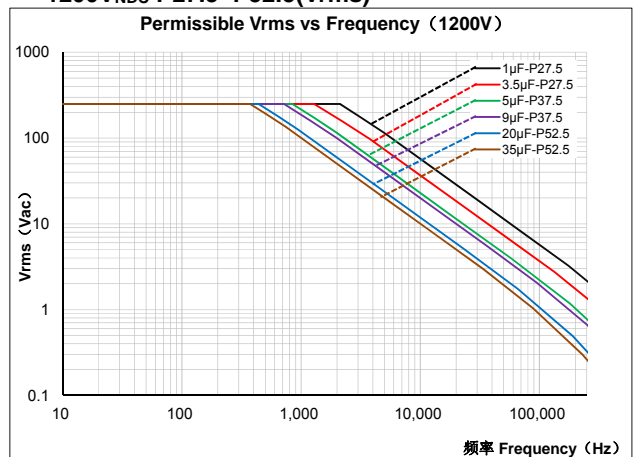
1100V<sub>NDC</sub> P27.5~P52.5(Vrms)



1200V<sub>NDC</sub> P27.5~P52.5(Irms)



1200V<sub>NDC</sub> P27.5~P52.5(Vrms)



注:

纹波电流或纹波电压值基于  $T_{amb}=70^{\circ}C$  条件下;  
产品散热系数:  $10W/m^2/^{\circ}C$ ;  
当  $f \geq 100KHz$ ,  $I_{rms}$  和  $V_{rms}$  仅供参考。

Note:

Permissible Vrms & Irms curves frequency  $f$  at  $T_{amb}=70^{\circ}C$ ;  
Coefficient of heat dissipation:  $10W/m^2/^{\circ}C$ ;  
At  $f \geq 100KHz$ ,  $I_{rms}$  &  $V_{rms}$  are only for reference.





# CBB60H (THB)

## CBB60H series (THB)

### ◆可靠性: Reliability.

Test description	Reference	Test conditions	Determine criteria
极间耐压 Voltage test between terminals	IEC 61071	1.5 x U <sub>NDC</sub> at Tamb Duration: 60 s	No visible damage  ΔC/C : ≤0.5% Tanδ: ≤1.2 initial tanδ+ 1×10 <sup>-4</sup> at10KHz R <sub>ins</sub> : ≥ 50% of IR limit
耐焊接热 Resistance to soldering heat	IEC 60068-2-20	Solder bath temperature at 260°C±5°C, Immersion time: 10s±1s	No visible damage  ΔC/C : ≤0.5% Increase of tan δ: ≤ 50 ×10 <sup>-4</sup> at10KHz
引出端强度 Robustness of terminations	IEC 60068-2-21	Wire diameter & Tensile force	No visible damage
		0.5 < d <sub>i</sub> ≤ 0.8 mm 10N	
		0.8 < d <sub>i</sub> ≤ 1.25 mm 20N	
放电实验 Surge discharge test	IEC 61071	1.1 x U <sub>NDC</sub> Number of discharges: 5(within 10 minutes)	No visible damage  ΔC/C : ≤1.0% Tanδ: ≤1.2 initial tanδ+ 1×10 <sup>-4</sup> at10KHz R <sub>ins</sub> : ≥ 50% of IR limit
温度变化 Change of temperature	IEC 60068-2-14	T <sub>max.</sub> =85 °C; T <sub>min.</sub> = - 40 °C Transition time: 1 h, equivalent to 1°C/min 5 cycles	No visible damage  ΔC/C : ≤2.0% Increase of tan δ: ≤ 150 ×10 <sup>-4</sup> at10KHz R <sub>ins</sub> : 50% of IR limit
耐湿性 Damp heat steady	IEC 60068-2-78	T <sub>max.</sub> = 40 °C RH = 93 % Duration 56 days	No visible damage  ΔC/C : ≤ 3.0 % Increase of tan δ: ≤ 20 ×10 <sup>-4</sup> at 10KHz R <sub>ins</sub> : ≥ 50% of IR limit
耐湿负荷 Biased humidity	AEC-Q200	T =40 °C RH = 93 % at U <sub>NDC</sub> (70°C) Duration: 1000h	NO visible damage  ΔC/C : ≤ 5 %  Δtan δ / tan δ : ≤ 200% at 10KHz R <sub>ins</sub> : ≥ 200MΩ
		T =85 °C RH = 85 % at U <sub>NDC</sub> (85°C) Duration: 1000h	No visible damage  ΔC/C : ≤5%  Δtan δ / tan δ : ≤ 200% at 10KHz R <sub>ins</sub> : ≥100 MΩ
耐久性 Endurance test between terminals	IEC 61071	1.3 ×U <sub>NDC</sub> at T <sub>max.</sub> = 70 °C, Duration 500 h 1000 × discharge at 1.4 × I (repetitive peak current in continuous operation) 1.3× U <sub>NDC</sub> atT <sub>max.</sub> = 70 °C Duration 500 h	No visible damage  ΔC/C : ≤3.0% Increase of tan δ: ≤ 150 ×10 <sup>-4</sup> at10KHz R <sub>ins</sub> : 50% of IR limit
自愈性测试 Self healing test	IEC 61071	1.5 ×U <sub>NDC</sub> Duration 10 sec , Number of Self healing ≤ 5, increase the voltage at 100 V/s till 5, with a max. of 2.5×U <sub>NDC</sub> for a duration of 10 sec	No visible damage  ΔC/C : ≤ 0.5 % tan δ: ≤ 1.1 initial tan δ + 1×10 <sup>-4</sup> at10KHz
振动 Vibration	IEC 60068	f=10 Hz to 55 Hz a=±0.35mm Test duration per axis = 10 frequency cycles (3 axes offset from each other by 90°). 1 octave/min, the total times are 135 min for 3axes	No visible damage

## CBB60T 型 DC-Link 电容器(PCB, 125℃)

## CBB60T Type DC-Link Capacitor (PCB, 125℃)

### ◆外形尺寸图及产品结构 Outline Drawing and Capacitor Construction

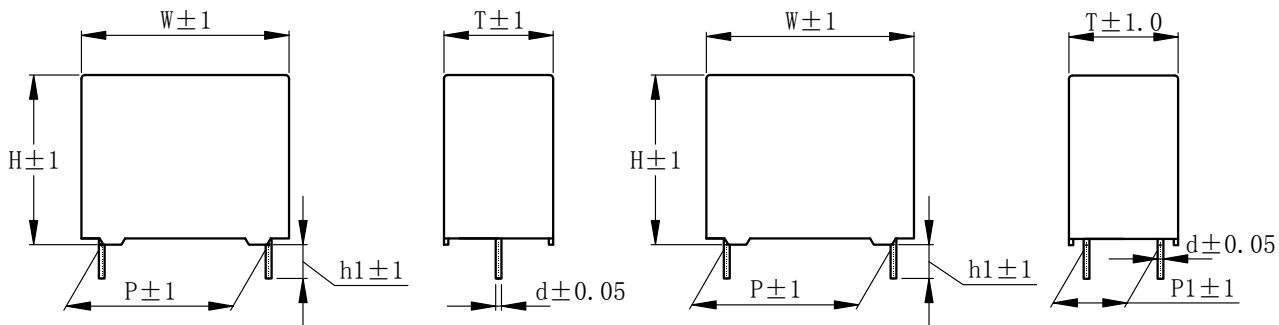


图 1: 2Pins

图 2: 4Pins

### ◆ 特点及用途 Application and Feature

自感小, 等效串联电阻小, 大纹波电流承受能力, 通常用于变频器、感应加热设备、UPS 等的直流母线滤波电路当中。

Low ESL, Low ESR, Support high ripple current, especially used in DC-Link circuit for UPS, inverter, induction heating equipment.

### ◆ 技术要求 Specifications

参照标准 Reference Standard	GB/T 17702、IEC 61071、AEC-Q200	
气候类别 Climatic Category	40/110/56	
额定电压 Rated Voltage	630Vdc、700Vdc、850Vdc、	
工作温度范围(热点) Operation Temperature Range(Hot Spot)	-40℃~125℃ (+85℃~+125℃: 0.7% /℃ of U <sub>OP</sub> derating compared to U <sub>NDC</sub> at 85℃)	
电容量 Capacitance Range	1.5μF~50μF	
电容量偏差 Capacitance Tolerance	±5%(J)、±10%(K) (20±5℃,1kHz)	
耐电压 Voltage Proof	极间 Between Terminals	U=1.5U <sub>NDC</sub> (20℃, 10s)
	极壳 Between Terminals to Case	2000Vac (10s), 50Hz
绝缘电阻 Insulation Resistance	IR×C≥10 000s (20℃, 100Vdc, 1min)	
最大峰值电流 $\hat{I}$ (A) Maximum Peak Current(A)	$\hat{I} = C_R \times dv/dt$	
预期寿命 Lifetime Expectancy	参照预期寿命曲线 Refer to Expected Lifetime Curves	
过电压 Over Voltage	一天之内的最长持续时间 Maximum Duration within Day	说明 Observation
	1.1U <sub>NDC</sub> (30% of on-load-dur.)	系统调整 System Regulation
	1.15U <sub>NDC</sub> (30min/day)	
	1.2U <sub>NDC</sub> (5min/day)	
	1.3U <sub>NDC</sub> (1min/day)	



# CBB60T

## CBB60T series

### ◆ 产品代码编写说明：Part number code system:

16 位产品代码如下：The 16 digits part number is formed as follow:

1	2	3	4	5	6	7	8	9	10	11	12	13	14	15	16
C	6	0	T												

第 1~4 位	薄膜电容器系列代码 C60T=CBB60T	Digit 1~4	Series code of film capacitor C60T=CBB60T
第 5~7 位	标称容量代码 举例：105=10×10 <sup>5</sup> pF=1μF	Digit 5~7	Rated capacitance value code For example:105=10×10 <sup>5</sup> pF=1μF
第 8 位	容量等级代码 J=±5%    K=±10%	Digit 8	Capacitance tolerance code J=±5%    K=±10%
第 9~10 位	直流额定电压代码 2J=630V    1V=700V    2W=850V	Digit 9~10	DC rated voltage code 2J=630V    1V=700V    2W=850V
第 11 位	引线间距 B=27.5mm    E=37.5mm    G=52.5mm	Digit 11	Pitch B=27.5mm    E=37.5mm    G=52.5mm
第 12 位	内部特征码	Digit 12	Internal use
第 13~16 位	引出端代码 见表 1	Digit 13~16	Terminals code Referring to table 1
表 1	引线形式代码	Table 1	Lead form code

第13位 Digit13		第14~15位 Digit14~Digit15		第 16 位 Digit16	
引线形式及P1 Lead form and pitch P1		引线长度 Lead length		引线长度偏差 Length tolerance	
代码 Code	说明 explanation	代码 Code	说明 explanation	代码 Code	说明 explanation
0	2Pins P1=0mm	00	标准引线长度5.5mm standard lead length 5.5mm	0	引线长度偏差±1.0mm Length tolerance±1.0mm
1	4Pins P1=5.1mm				
2	4Pins P1=10.2mm				
3	4Pins P1=12.7mm				
4	4Pins P1=15.2mm				
5	4Pins P1=20.3mm				

◆ 产品尺寸及性能参数: Product Dimension and Characteristic Data:

U <sub>NDC</sub> (85°C): 630Vdc												
C (μF)	W	H	T	P	P1	d	dv/dt (V/μs)	tgδ×(10 <sup>-4</sup> )		ESR (mΩ)	I <sub>RMS</sub> (A)	产品代码 Part number
								1KHz	10KHz			
1.5	32.0	20.0	11.0	27.5	-	0.8	50	5	35	22.3	3.5	C60T155-2JB00000
2.2	32.0	22.0	13.0	27.5	-	0.8	50	5	35	15.5	4.7	C60T225-2JB00000
3.0	32.0	25.0	14.0	27.5	-	0.8	50	5	35	11.5	6.0	C60T305-2JB00000
4.7	32.0	28.0	17.0	27.5	-	0.8	50	5	37	7.6	8.2	C60T475-2JB00000
6.8	32.0	33.0	18.0	27.5	-	0.8	50	6	39	5.4	10.4	C60T685-2JB00000
8.0	32.0	37.0	22.0	27.5	-	0.8	50	6	40	4.5	12.0	C60T805-2JB00000
5.0	42.0	26.0	15.0	37.5	-	1.0	35	9	69	13.4	6.0	C60T505-2JE00000
7.5	42.0	30.0	16.0	37.5	-	1.0	35	9	69	9.5	7.6	C60T755-2JE00000
10.0	42.0	33.5	18.5	37.5	-	1.0	35	9	72	7.0	9.6	C60T106-2JE00000
15.0	42.0	41.0	26.0	37.5	10.2	1.0	35	9	71	4.8	13.0	C60T156-2JE02000
20.0	42.0	41.0	26.0	37.5	10.2	1.0	35	9	71	3.6	16.0	C60T206-2JE02000
22.0	42.0	43.0	28.0	37.5	10.2	1.0	35	9	73	3.2	17.5	C60T226-2JE02000
25.0	42.0	45.0	30.0	37.5	20.3	1.2	35	9	74	2.9	19.5	C60T256-2JE05000
30.0	42.0	50.0	30.0	37.5	20.3	1.2	35	9	76	2.4	22.5	C60T306-2JE05000
35.0	57.0	45.0	30.0	52.5	20.3	1.2	25	16	143	4.0	18.5	C60T356-2JG05000
50.0	57.0	50.0	35.0	52.5	20.3	1.2	25	16	148	2.9	23.5	C60T506-2JG05000

U <sub>NDC</sub> (85°C): 700Vdc												
C (μF)	W	H	T	P	P1	d	dv/dt (V/μs)	tgδ×(10 <sup>-4</sup> )		ESR (mΩ)	I <sub>RMS</sub> (A)	产品代码 Part number
								1KHz	10KHz			
1.5	32.0	20.0	11.0	27.5	-	0.8	75	5	32	20.3	3.6	C60T155-1VB00000
2.0	32.0	22.0	13.0	27.5	-	0.8	75	5	32	15.3	4.7	C60T205-1VB00000
3.3	32.0	28.0	17.0	27.5	-	0.8	75	5	33	9.6	7.3	C60T335-1VB00000
4.7	32.0	33.0	18.0	27.5	-	0.8	75	5	34	6.9	9.0	C60T475-1VB00000
7.0	32.0	37.0	22.0	27.5	-	0.8	75	5	37	5.0	11.8	C60T705-1VB00000
3.9	42.0	26.0	15.0	37.5	-	1.0	54	8	62	15.3	5.6	C60T395-1VE00000
5.0	42.0	30.0	16.0	37.5	-	1.0	54	8	63	12.1	6.8	C60T505-1VE00000
12.0	42.0	40.0	20.0	37.5	10.2	1.0	54	8	64	5.3	12.5	C60T126-1VE02000
14.0	42.0	41.0	26.0	37.5	10.2	1.0	54	8	64	4.4	14.5	C60T146-1VE02000
16.0	42.0	43.0	28.0	37.5	10.2	1.0	54	8	65	3.9	16.0	C60T166-1VE02000
20.0	42.0	45.0	30.0	37.5	20.3	1.2	54	8	66	3.2	19.0	C60T206-1VE05000
22.0	42.0	50.0	30.0	37.5	20.3	1.2	54	9	67	2.9	20.5	C60T226-1VE05000
30.0	57.0	45.0	30.0	52.5	20.3	1.2	35	15	129	4.2	18.5	C60T306-1VG05000
40.0	57.0	50.0	35.0	52.5	20.3	1.2	35	15	132	3.2	22.5	C60T406-1VG05000

备注:

“-”: 客户要求的容量偏差

ESR 值为 f=10KHz 下的典型值

I<sub>RMS</sub> 值为 f=10KHz、Tamb=85°C、散热条件 10W/m<sup>2</sup>/°C、

△Tcase≤15°C 的最大电流有效值。

“-”=custom's capacitor tolerance code, J=±5%, K=±10%

ESR is typical values at 10KHz

I<sub>RMS</sub> is the maximum R.M.S current at 10KHz、Tamb=85°C、

△Tcase≤15°C.( Coefficient of heat dissipation: 10W/m<sup>2</sup>/°C)



# CBB60T

## CBB60T series

### ◆ 产品尺寸及性能参数: Product Dimension and Characteristic Data:

UNDC (85°C): 850Vdc												
C (μF)	W	H	T	P	P1	d	dv/dt (V/μs)	tgδ×(10 <sup>-4</sup> )		ESR (mΩ)	I <sub>RMS</sub> (A)	产品代码 Part number
								1KHz	10KHz			
1.0	32.0	20.0	11.0	27.5	-	0.8	100	5	27	25.2	3.3	C60T105-2WB00000
1.5	32.0	22.0	13.0	27.5	-	0.8	100	5	27	17.2	4.4	C60T155-2WB00000
3.0	32.0	28.0	17.0	27.5	-	0.8	100	5	28	9.1	7.5	C60T305-2WB00000
5.0	32.0	37.0	22.0	27.5	-	0.8	100	5	30	5.8	12.0	C60T505-2WB00000
2.7	42.0	26.0	15.0	37.5	-	1.0	73	7	52	18.6	5.2	C60T275-2WE00000
3.5	42.0	30.0	16.0	37.5	-	1.0	73	7	52	14.3	6.2	C60T355-2WE00000
8.0	42.0	40.0	20.0	37.5	10.2	1.0	73	7	53	6.3	11.0	C60T805-2WE02000
10.0	42.0	41.0	26.0	37.5	10.2	1.0	73	7	53	5.1	13.5	C60T106-2WE02000
12.0	42.0	43.0	28.0	37.5	10.2	1.0	73	7	54	4.4	15.0	C60T126-2WE02000
14.0	42.0	45.0	30.0	37.5	20.3	1.2	73	7	55	3.8	17.0	C60T146-2WE05000
16.0	42.0	50.0	30.0	37.5	20.3	1.2	73	7	55	3.3	19.0	C60T166-2WE05000
20.0	57.0	45.0	30.0	37.5	20.3	1.2	50	12	106	5.1	16.5	C60T206-2WG05000
27.0	57.0	50.0	35.0	37.5	20.3	1.2	50	13	108	3.9	20.5	C60T276-2WG05000

备注:

“-”: 客户要求的容量偏差

ESR 值为 f=10KHz 下的典型值

I<sub>RMS</sub> 值为 f=10KHz、T<sub>amb</sub>=85°C、散热条件 10W/m<sup>2</sup>/°C、  
ΔT<sub>case</sub>≤15°C 的最大电流有效值。

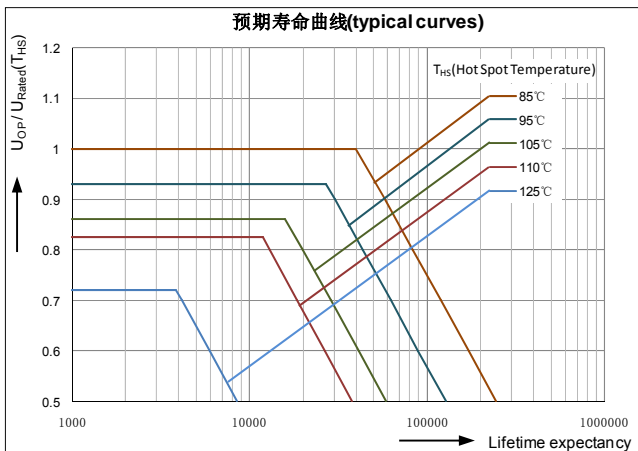
“-”=custom's capacitor tolerance code, J=±5%, K=±10%

ESR is typical values at 10KHz

I<sub>RMS</sub> is the maximum R.M.S current at 10KHz, T<sub>amb</sub>=85°C、  
ΔT<sub>case</sub>≤15°C.( Coefficient of heat dissipation: 10W/m<sup>2</sup>/°C)

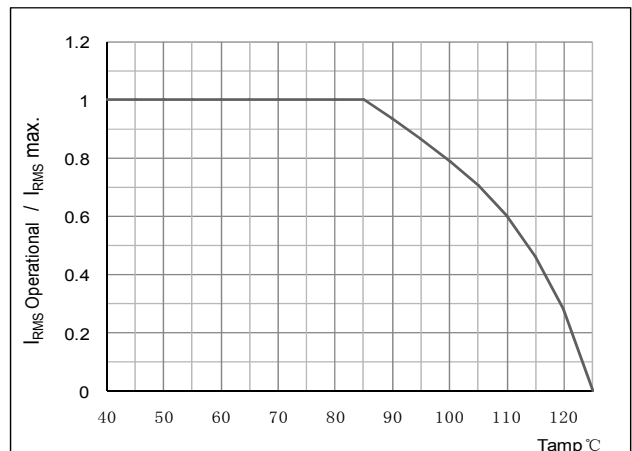
### ◆ 预期寿命曲线

Expected Lifetime Curves:



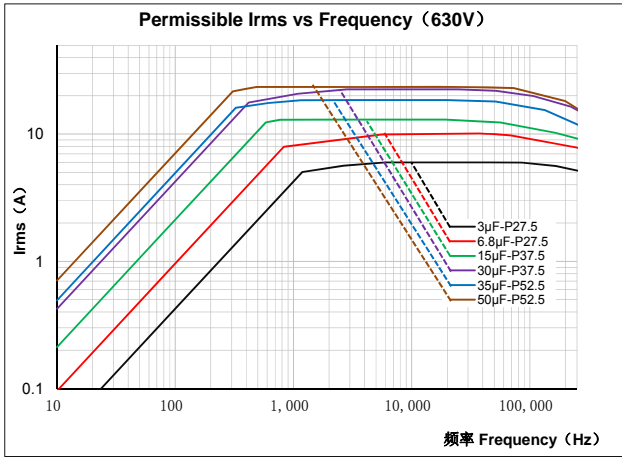
### ◆ 纹波电流降额曲线

I<sub>RMS</sub> Derating vs Ambient Temperature:

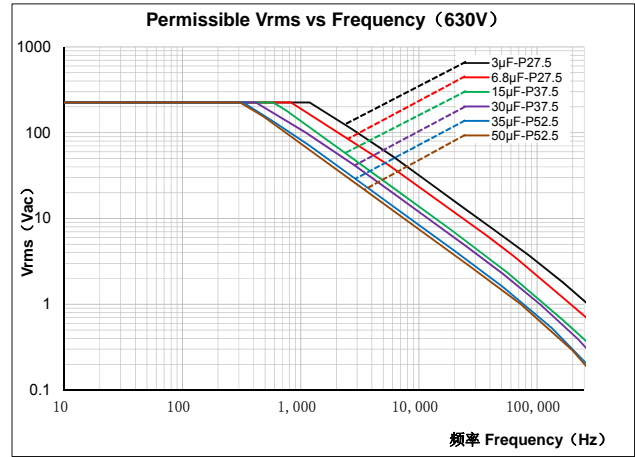


◆有效值交流电压&电流频率曲线 Permissible Vrms & Irms vs Frequency

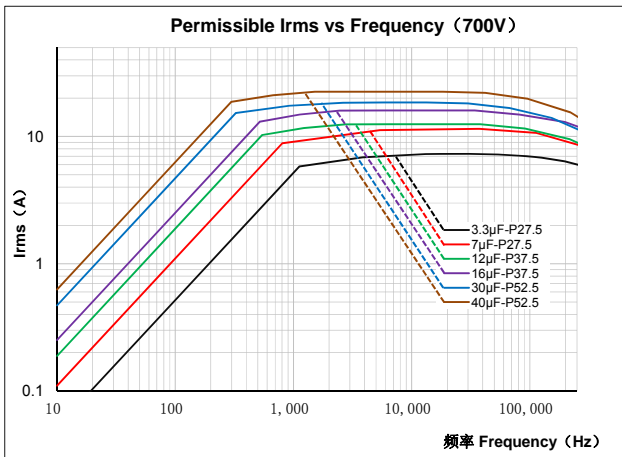
630Vdc-P27.5~P52.5mm ( Irms ):



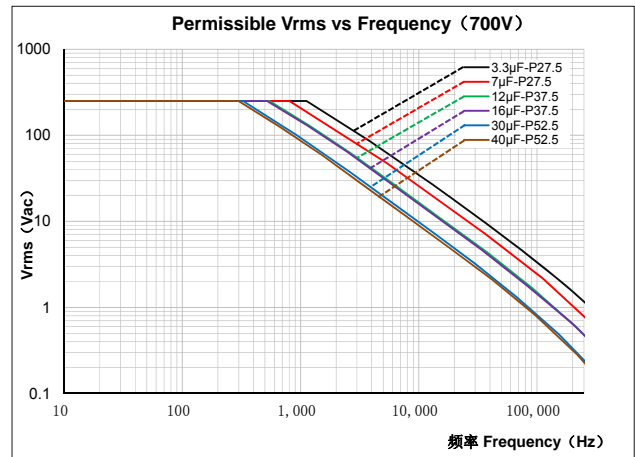
630Vdc -P27.5~P52.5mm ( Vrms ):



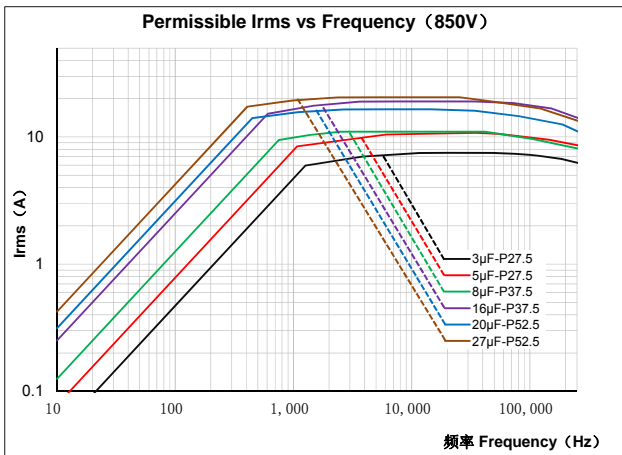
700Vdc -P27.5~P52.5mm ( Irms ):



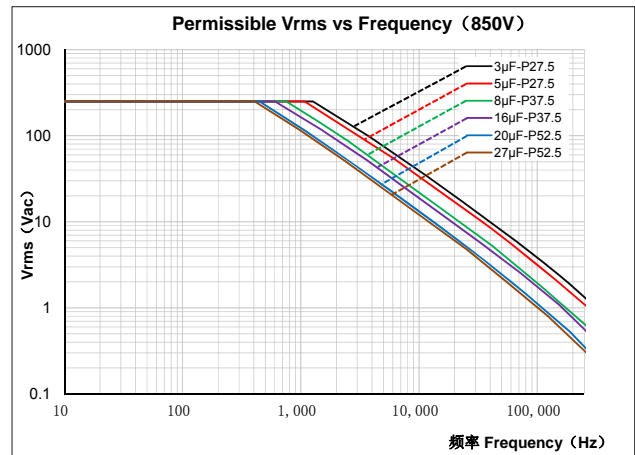
700Vdc -P27.5~P52.5mm ( Vrms ):



850Vdc -P27.5~P52.5mm ( Irms ):



850Vdc -P27.5~P52.5mm ( Vrms ):



注：  
纹波电流或纹波电压值基于  $T_{amb}=85^{\circ}C$  条件下；  
产品散热系数：10W/m<sup>2</sup>/C；

Note:  
Permissible Vrms & Irms curves frequency f at  $T_{amb}=85^{\circ}C$  ;  
Coefficient of heat dissipation: 10W/m<sup>2</sup>/C ;



# CBB60T

## CBB60T series

当  $f \geq 100\text{KHz}$ ,  $I_{rms}$  和  $V_{rms}$  仅供参考。

At  $f \geq 100\text{KHz}$ ,  $I_{rms}$  &  $V_{rms}$  are only for reference.

### ◆可靠性: Reliability:

Test description	Reference	Test conditions	Determine criteria
极间耐压 Voltage test between terminals	IEC 61071	$1.5 \times U_{NDC}$ at $T_{amb}$ Duration: 60 s	No visible damage $ \Delta C/C : \leq 0.5 \%$ $\tan \delta: \leq 1.2 \text{ initial } \tan \delta + 1 \times 10^{-4}$ at 10KHz $R_{ins}: \geq 50\%$ of IR limit
耐焊接热 Resistance to soldering heat	IEC 60068-2-20	Solder bath temperature at $260^\circ\text{C} \pm 5^\circ\text{C}$ , Immersion time: $10\text{s} \pm 1\text{s}$	No visible damage $ \Delta C/C : \leq 0.5 \%$ Increase of $\tan \delta: \leq 50 \times 10^{-4}$ at 10KHz
引出端强度 Robustness of terminations	IEC 60068-2-21	Wire diameter & Tensile force $0.5 < d_1 \leq 0.8 \text{ mm}$ 10N $0.8 < d_1 \leq 1.25 \text{ mm}$ 20N	No visible damage
放电实验 Surge discharge test	IEC 61071	$1.1 \times U_{NDC}$ Number of discharges: 5 (within 10 minutes)	No visible damage $ \Delta C/C : \leq 1.0 \%$ $\tan \delta: \leq 1.2 \text{ initial } \tan \delta + 1 \times 10^{-4}$ at 10KHz $R_{ins}: \geq 50\%$ of IR limit
温度冲击 Thermal shock	AEC-Q200	$T_{max.} = 85^\circ\text{C}$ $T_{min.} = -40^\circ\text{C}$ 1000 cycles	No visible damage $ \Delta C/C : \leq 2.0 \%$ $ \Delta \tan \delta : \leq 20 \times 10^{-4}$ at 1KHz $R_{ins}: \geq 50\%$ of IR limit
耐湿负荷 Biased humidity	AEC-Q200	1000 h / $40^\circ\text{C}/93\%\text{RH}/U_{NDC}$ 500 h / $60^\circ\text{C}/95\%\text{RH}/U_{NDC}$	No visible damage $ \Delta C/C : \leq 5.0 \%$ $ \Delta \tan \delta / \tan \delta : \leq 400\%$ at 1KHz $R_{ins}: \geq 50\%$ of IR limit
		$U_{NDC} = 630V_{dc}$ : 1000 h / $85^\circ\text{C}/85\%\text{RH}/450V_{dc}$ $U_{NDC} = 700V_{dc}$ : 1000 h / $85^\circ\text{C}/85\%\text{RH}/500V_{dc}$ $U_{NDC} = 850V_{dc}$ : 1000 h / $85^\circ\text{C}/85\%\text{RH}/600V_{dc}$	No visible damage $ \Delta C/C : \leq 5.0 \%$ $ \Delta \tan \delta : \leq 50 \times 10^{-4}$ at 1KHz $R_{ins}: \geq 50\%$ of IR limit
耐久性 Endurance test between terminals	IEC 61071	$1.25 \times U_{NDC}/85^\circ\text{C}/1000\text{h}$ or $1.25 \times U_{OP}/105^\circ\text{C}/1000\text{h}$ or $1.25 \times U_{OP}/125^\circ\text{C}/1000\text{h}$	No visible damage $ \Delta C/C : \leq 5.0 \%$ Increase of $\tan \delta: \leq 150 \times 10^{-4}$ at 10KHz $R_{ins}: \geq 50\%$ of IR limit
自愈性测试 Self healing test	IEC 61071	$1.5 \times U_{NDC}$ Duration 10 sec, Number of Self healing $\leq 5$ , increase the voltage at 100 V/s till 5, with a max. of $2.5 \times U_{NDC}$ for a duration of 10 sec	No visible damage $ \Delta C/C : \leq 0.5 \%$ $\tan \delta: \leq 1.1 \text{ initial } \tan \delta + 1 \times 10^{-4}$ at 10KHz $R_{ins}: \geq 50\%$ of IR limit
振动 Vibration	AEC-Q200	5g's for 20 minutes, 12 cycles each of 3 orientations Use 8"X5"PCB, .031" thick. 7 secure points on one 8" side and 2 secure points at corners of opposite sides. Parts mounted within 2" from any secure point. Test from 10-2000 Hz.	No visible damage

## CBB66A 型交流输出滤波电容器(PCB)

### CBB66A Type AC Output Filter Capacitor (PCB)

< 60°C/93%RH /1000h /U<sub>r</sub> >

#### ◆ 外形图 Outline Drawing

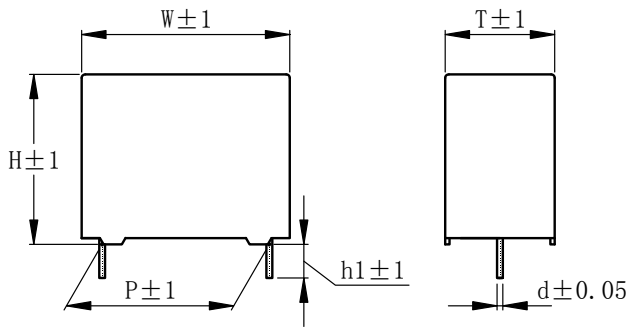


图 1: 2Pins

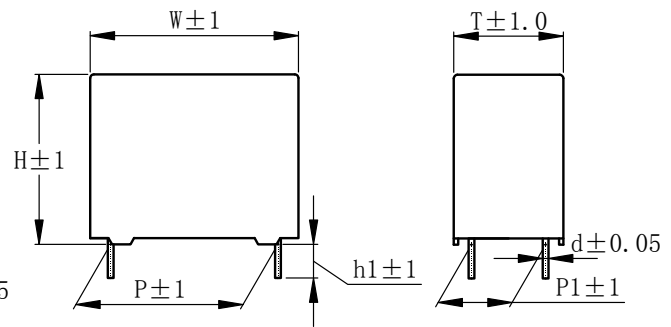


图 2: 4Pins

#### ◆ 特点及用途 Application and Feature


金属化聚丙烯薄膜卷绕，适用于小功率交流滤波电路，如 UPS，太阳能光伏 DC/AC 逆变器中的滤波。

Metallized polypropylene film capacitor, suitable for small power AC output filter, for example: UPS, solar photovoltaic DC/AC inverter with filter.

#### ◆ 技术标准

参照标准 Reference Standard	GB/T 17702、IEC 61071	
气候类别 Climatic Category	40/85/56	
额定交流电压 Rated AC Voltage	180Vac ~ 550Vac	
额定直流电压 Rated DC Voltage	300Vdc~1000Vdc	
电容量范围 Capacitance Range	0.47μF~60.0μF	
工作温度范围(热点) Operation Temperature Range(Hot Spot)	-40°C~105°C (+85°C~+105°C: 1.5%/°C of U <sub>OP</sub> derating compared to U <sub>r</sub> at 85°C)	
电容量偏差 Capacitance Tolerance	±5%(J)、±10%(K) (20±5°C, 1kHz)	
耐电压 Voltage Proof	极间 Between terminals	U=1.5U <sub>NDC</sub> (20°C, 10s)
	极壳 Between terminals to case	2000Vac(10s), 50Hz
绝缘电阻 Insulation Resistance	IR×C≥30 000s(20°C, 100Vdc, 1min)	
损耗角正切 Dissipation Factor	Tan δ≤20×10 <sup>-4</sup> (1KHz, 20°C)	
工作寿命 Operation Life Time	>60 000 hours at 0.9 U <sub>r</sub> , Θ <sub>max</sub> =70°C	

#### ◆ 安全认证 Safety Approvals

	UL-CUL (美国/加拿大)	UL810, CSA C22.2 No. 190, (construction only) 证书号 (File No.) :E477437
---	--------------------	--





◆ 产品尺寸及性能参数: Product Dimension and Characteristic Data:

Ur=180Vac / UNDC=300Vdc											
C ( $\mu$ F)	W	H	T	P	P1	d	ESR@10KHz	$\hat{I}$	$\hat{I}_s$	IRMS (A)	产品代码 Part number
							(m $\Omega$ )	(A)	(A)		
4	32.0	22.0	13.0	27.5	-	0.8	6.1	280	840	7	C66A405-M2B0****
5	32.0	28.0	14.0	27.5	-	0.8	5.2	350	1050	8.5	C66A505-M2B0****
6.8	32.0	33.0	18.0	27.5	-	0.8	3.8	476	1428	10	C66A685-M2B0****
10	32.0	33.0	18.0	27.5	-	0.8	2.8	700	2100	10	C66A106-M2B0****
10	42.0	32.0	17.0	37.5	-	1.0	4.8	400	1200	11	C66A106-M2E0****
15	42.0	37.0	22.0	37.5	-	1.0	3.5	600	1800	14	C66A156-M2E0****
18	42.0	36.0	23.0	37.5	-	1.2	3.0	720	2160	15	C66A186-M2E0****
20	42.0	36.0	23.0	37.5	-	1.2	2.8	800	2400	16	C66A206-M2E0****
22	42.0	41.0	26.0	37.5	-	1.2	2.7	880	2640	17.5	C66A226-M2E0****
25	42.0	41.0	26.0	37.5	-	1.2	2.5	1000	3000	18	C66A256-M2E0****
30	42.0	45.0	30.0	37.5	-	1.2	2.3	1200	3600	18	C66A306-M2E0****
33	42.0	45.0	30.0	37.5	-	1.2	2.2	1320	3960	18	C66A336-M2E0****
40	57.0	43.5	29.5	52.5	20.3	1.2	2.5	800	2400	22	C66A406-M2G03***
43	57.0	43.5	29.5	52.5	20.3	1.2	2.3	860	2580	22.5	C66A436-M2G03***
50	57.0	50.0	35.0	52.5	20.3	1.2	2.1	1000	3000	26	C66A506-M2G03***
60	57.0	50.0	35.0	52.5	20.3	1.2	1.9	1200	3600	27.5	C66A606-M2G03***

Ur=250Vac / UNDC=450Vdc											
C ( $\mu$ F)	W	H	T	P	P1	d	ESR@10KHz	$\hat{I}$	$\hat{I}_s$	IRMS (A)	产品代码 Part number
							(m $\Omega$ )	(A)	(A)		
1	32.0	18.0	9.0	27.5	-	0.8	18.2	90	270	3.5	C66A105-E2B0****
1.5	32.0	20.0	11.0	27.5	-	0.8	12.4	135	405	4.5	C66A155-E2B0****
2	32.0	22.0	13.0	27.5	-	0.8	9.5	180	540	5.5	C66A205-E2B0****
2.2	32.0	22.0	13.0	27.5	-	0.8	8.7	198	594	6	C66A225-E2B0****
2.5	32.0	22.0	13.0	27.5	-	0.8	7.8	225	675	6	C66A255-E2B0****
3	32.0	24.5	15.0	27.5	-	0.8	6.7	270	810	7	C66A305-E2B0****
3.3	32.0	24.5	15.0	27.5	-	0.8	6.2	297	891	7.5	C66A335-E2B0****
3.5	32.0	28.0	14.0	27.5	-	0.8	5.9	315	945	8	C66A355-E2B0****
4	32.0	33.0	18.0	27.5	-	0.8	5.1	360	1080	9.5	C66A405-E2B0****
4.5	32.0	33.0	18.0	27.5	-	0.8	4.6	405	1215	10	C66A455-E2B0****
5	32.0	33.0	18.0	27.5	-	0.8	4.2	450	1350	10	C66A505-E2B0****
6.8	32.0	37.0	22.0	27.5	-	0.8	3.4	612	1836	10	C66A685-E2B0****
4.7	42.0	26.0	15.0	37.5	-	1.0	7.7	282	846	7.5	C66A475-E2E0****
5	42.0	28.0	14.0	37.5	-	1.0	7.3	300	900	8	C66A505-E2E0****
6	42.0	32.0	17.0	37.5	-	1.0	6.3	360	1080	9.5	C66A605-E2E0****
6.5	42.0	32.0	17.0	37.5	-	1.0	5.8	390	1170	10	C66A655-E2E0****
6.8	42.0	33.5	18.5	37.5	-	1.0	5.6	408	1224	10.5	C66A685-E2E0****
5	42.0	28.0	14.0	37.5	-	1.0	7.3	300	900	8	C66A505-E2E0****



# CBB66A

CBB66A series

◆ 产品尺寸及性能参数: Product Dimension and Characteristic Data:

Ur=250Vac / UNDC=450Vdc												
C (μF)	W	H	T	P	Pl	d	ESR@10KHz	$\hat{I}$	$\hat{I}_s$	I <sub>RMS</sub> (A)	产品代码 Part number	
							(mΩ)	(A)	(A)			
7.5	42.0	33.5	18.5	37.5	-	1.0	5.2	450	1350	11	C66A755-E2E0****	
8	42.0	37.0	22.0	37.5	-	1.0	5.0	480	1440	12	C66A805-E2E0****	
10	42.0	37.0	22.0	37.5	-	1.0	4.1	600	1800	13	C66A106-E2E0****	
12	42.0	41.0	26.0	37.5	-	1.2	3.6	720	2160	15	C66A126-E2E0****	
14	42.0	41.0	26.0	37.5	-	1.2	2.8	840	2520	16.5	C66A146-E2E0****	
15	42.0	41.0	26.0	37.5	-	1.2	3.1	900	2700	17	C66A156-E2E0****	
16	42.0	41.0	26.0	37.5	-	1.2	2.5	960	2880	18	C66A166-E2E0****	
17	42.0	41.0	26.0	37.5	-	1.2	2.4	1020	3060	18	C66A176-E2E0****	
18	42.0	43.0	28.0	37.5	-	1.2	2.8	1080	3240	18	C66A186-E2E0****	
20	42.0	45.0	30.0	37.5	-	1.2	2.6	1200	3600	18	C66A206-E2E0****	
22	42.0	45.0	30.0	37.5	-	1.2	2.5	1320	3960	18	C66A226-E2E0****	
25	57.0	43.5	29.5	52.5	20.3	1.2	3.0	750	2250	19.5	C66A256-E2G03***	
30	57.0	43.5	29.5	52.5	20.3	1.2	2.6	900	2700	21.5	C66A306-E2G03***	
35	57.0	50.0	35.0	52.5	20.3	1.2	2.4	1050	3150	24.5	C66A356-E2G03***	
40	57.0	50.0	35.0	52.5	20.3	1.2	2.1	1200	3600	26	C66A406-E2G03***	

Ur=300Vac / UNDC=560Vdc												
C (μF)	W	H	T	P	Pl	d	ESR@10KHz	$\hat{I}$	$\hat{I}_s$	I <sub>RMS</sub> (A)	产品代码 Part number	
							(mΩ)	(A)	(A)			
1	32.0	20.0	11.0	27.5	-	1.0	15.8	100	300	4	C66A105-F2B0****	
1	32.0	20.0	11.0	27.5	-	0.8	15.8	100	300	4	C66A105-F2B1****	
1.5	32.0	22.0	13.0	27.5	-	0.8	10.8	150	450	5	C66A155-F2B0****	
2	32.0	24.5	15.0	27.5	-	0.8	8.4	200	600	6.5	C66A205-F2B0****	
2.2	32.0	24.5	15.0	27.5	-	0.8	7.7	220	660	6.5	C66A225-F2B0****	
2.5	32.0	28.0	14.0	27.5	-	0.8	7.0	250	750	7	C66A255-F2B0****	
3	32.0	33.0	18.0	27.5	-	0.8	5.8	300	900	9	C66A305-F2B0****	
3.3	32.0	33.0	18.0	27.5	-	0.8	5.3	330	990	9.5	C66A335-F2B0****	
3.5	32.0	33.0	18.0	27.5	-	0.8	5.0	350	1050	9.5	C66A355-F2B0****	
4	32.0	33.0	18.0	27.5	-	0.8	4.5	400	1200	10	C66A405-F2B0****	
4.7	32.0	37.0	22.0	27.5	-	0.8	4.0	470	1410	10	C66A475-F2B1****	
4.7	32.0	37.0	22.0	27.5	-	1.2	4.0	470	1410	12	C66A475-F2B0****	
5	32.0	37.0	22.0	27.5	-	1.2	3.8	500	1500	12	C66A505-F2B0****	
6.8	32.0	37.0	22.0	27.5	-	1.2	3.0	680	2040	13.5	C66A685-F2B0****	
3	42.0	26.0	15.0	37.5	-	1.0	10.0	210	630	6.5	C66A305-F2E0****	
3.3	42.0	26.0	15.0	37.5	-	1.0	9.2	231	693	7	C66A335-F2E0****	
3.5	42.0	28.0	14.0	37.5	-	1.0	8.7	245	735	7.5	C66A355-F2E0****	
4	42.0	32.0	17.0	37.5	-	1.0	7.8	280	840	8.5	C66A405-F2E0****	
4.5	42.0	32.0	17.0	37.5	-	1.0	7.0	315	945	9	C66A455-F2E0****	
4.7	42.0	32.0	17.0	37.5	-	1.0	6.7	329	987	9	C66A475-F2E0****	
5	42.0	33.5	18.5	37.5	-	1.0	6.4	350	1050	9.5	C66A505-F2E0****	
6	42.0	33.5	18.5	37.5	-	1.0	5.4	420	1260	10.5	C66A605-F2E0****	
6.8	42.0	37.0	22.0	37.5	-	1.0	4.9	476	1428	12	C66A685-F2E0****	

◆ 产品尺寸及性能参数: Product Dimension and Characteristic Data:

Ur=300Vac / UNDC=560Vdc												
C (μF)	W	H	T	P	P1	d	ESR@10KHz	$\hat{I}$	$\hat{I}_s$	I <sub>RMS</sub> (A)	产品代码 Part number	
							(mΩ)	(A)	(A)			
8	42.0	37.0	22.0	37.5	-	1.0	4.3	560	1680	12.5	C66A805-F2E0****	
10	42.0	41.0	26.0	37.5	-	1.2	3.7	700	2100	15	C66A106-F2E0****	
12	42.0	43.0	28.0	37.5	-	1.2	3.3	840	2520	16.5	C66A126-F2E0****	
15	42.0	45.0	30.0	37.5	-	1.2	2.8	1050	3150	18	C66A156-F2E0****	
18	57.0	43.5	29.5	52.5	20.3	1.2	3.5	720	2160	18.5	C66A186-F2G03***	
20	57.0	43.5	29.5	52.5	20.3	1.2	3.2	800	2400	19.5	C66A206-F2G13***	
20	57.0	45.0	30.0	52.5	20.3	1.2	3.2	800	2400	19.5	C66A206-F2G03***	
22	57.0	43.5	29.5	52.5	20.3	1.2	2.9	880	2640	20	C66A226-F2G03***	
25	57.0	50.0	35.0	52.5	20.3	1.2	2.7	1000	3000	23	C66A256-F2G03***	
28	57.0	50.0	35.0	52.5	20.3	1.2	2.5	1120	3360	24	C66A286-F2G03***	

Ur=350Vac / UNDC=600Vdc												
C (μF)	W	H	T	P	P1	d	ESR@10KHz	$\hat{I}$	$\hat{I}_s$	I <sub>RMS</sub> (A)	产品代码 Part number	
							(mΩ)	(A)	(A)			
1	32	22	13	27.5	-	0.8	8.9	106	318	5.5	C66A105-Q3B0****	
1.5	32	25	14	27.5	-	0.8	6.5	159	477	7	C66A155-Q3B0****	
2	32	30	16	27.5	-	0.8	5.4	212	636	8.5	C66A205-Q3B0****	
2.2	32	30	16	27.5	-	0.8	5.0	233	699	9	C66A225-Q3B0****	
2.5	32	33	18	27.5	-	0.8	4.7	265	795	10	C66A255-Q3B0****	
3	32	37	22	27.5	-	0.8	4.4	318	954	10	C66A305-Q3B0****	
3.3	32	37	22	27.5	-	0.8	4.1	350	1050	10	C66A335-Q3B0****	
3.5	32	37	22	27.5	-	0.8	4.0	371	1113	10	C66A355-Q3B0****	
4	32	37	22	27.5	-	0.8	3.7	424	1272	10	C66A405-Q3B0****	
2	42	26	15	37.5	-	1.0	7.5	138	414	8	C66A205-Q3E0****	
2.2	42	26	15	37.5	-	1.0	6.9	152	456	8	C66A225-Q3E0****	
2.5	42	30	16	37.5	-	1.0	6.3	173	519	9	C66A255-Q3E0****	
3	42	30	16	37.5	-	1.0	5.4	208	624	10	C66A305-Q3E0****	
3.3	42	32	17	37.5	-	1.0	5.0	228	684	10.5	C66A335-Q3E0****	
4	42	33.5	18.5	37.5	-	1.0	4.4	277	831	12	C66A405-Q3E0****	
4	42	33.5	18.5	37.5	10.2	1.0	3.8	277	831	12.5	C66A405-Q3E01***	
5	42	37	22	37.5	-	1.0	3.8	346	1038	13.5	C66A505-Q3E0****	
5	42	37	22	37.5	10.2	1.0	3.2	346	1038	15	C66A505-Q3E01***	
8	42	41	26	37.5	-	1.0	2.9	554	1662	14	C66A805-Q3E0****	
8	42	41	26	37.5	10.2	1.0	2.3	554	1662	19	C66A805-Q3E01***	
9	42	45	30	37.5	-	1.0	2.8	623	1869	14	C66A905-Q3E0****	
9	42	45	30	37.5	20.3	1.2	1.9	623	1869	22	C66A905-Q3E03***	
12	57	43.5	29.5	52.5	20.3	1.2	2.5	546	1638	22	C66A126-Q3G03***	
15K	57	45	35	52.5	20.3	1.2	2.1	682	2046	25	C66A156KQ3G03***	
18	57	50	35	52.5	20.3	1.2	1.9	818	2454	27.5	C66A186-Q3G03***	
20	57	57	38	52.5	20.3	1.2	1.8	909	2727	30	C66A206-Q3G03***	
25	57	55	45	52.5	20.3	1.2	1.5	1136	3408	32	C66A256-Q3G03***	



# CBB66A

## CBB66A series

### ◆ 产品尺寸及性能参数: Product Dimension and Characteristic Data:

Ur=400Vac / UNDC=700Vdc											
C ( $\mu$ F)	W	H	T	P	P1	d	ESR@10KHz	$\hat{I}$	$\hat{I}_s$	I <sub>RMS</sub> (A)	产品代码 Part number
							(m $\Omega$ )	(A)	(A)		
1	32	25	14	27.5	-	0.8	8.4	121	363	6.5	C66A105-G2B0****
1.2	32	28	14	27.5	-	0.8	8.0	145	435	7.0	C66A125-G2B0****
2	32	33	18	27.5	-	0.8	5.2	243	729	9.5	C66A205-G2B0****
3K	32	37	22	27.5	-	0.8	4.2	364	1092	10	C66A305KG2B0****
1.5	42	25	14	37.5	-	1.0	8.8	119	357	7	C66A155-G2E0****
2.5	42	32	17	37.5	-	1.0	5.8	198	594	10	C66A255-G2E0****
3	42	33.5	18.5	37.5	-	1.0	5.0	237	711	11	C66A305-G2E0****
3	42	33.5	18.5	37.5	10.2	1.0	4.5	237	711	11.5	C66A305-G2E01***
4.5K	42	37	22	37.5	-	1.0	3.8	356	1068	13.5	C66A455KG2E0****
4.5K	42	37	22	37.5	10.2	1.0	3.2	356	1068	15	C66A455KG2E01***
6K	42	41	26	37.5	-	1.0	3.2	475	1425	14	C66A605KG2E0****
6K	42	41	26	37.5	10.2	1.0	2.6	475	1425	17.5	C66A605KG2E01***
7K	42	43	28	37.5	-	1.0	3.0	526	1578	14	C66A705KG2E0****
7K	42	43	28	37.5	10.2	1.0	2.4	526	1578	19.5	C66A705KG2E01***
8	42	50	30	37.5	-	1.0	3.0	633	1899	14	C66A805-G2E0****
8	42	50	30	37.5	20.3	1.2	2.0	633	1899	22.5	C66A805-G2E03***
10K	42	50	35	37.5	20.3	1.2	1.7	791	2373	25.5	C66A106KG2E03***
10	57	43.5	29.5	52.5	20.3	1.2	2.6	520	1560	21.5	C66A106-G2G03***
15K	57	50	35	52.5	20.3	1.2	2.0	740	2220	27	C66A156KG2G03***
18	57	57	38	52.5	20.3	1.2	1.8	935	2805	30	C66A186-G2G03***

Ur=450Vac / UNDC=800Vdc											
C ( $\mu$ F)	W	H	T	P	P1	d	ESR@10KHz	$\hat{I}$	$\hat{I}_s$	I <sub>RMS</sub> (A)	产品代码 Part number
							(m $\Omega$ )	(A)	(A)		
1.5	32	33	18	27.5	-	0.8	6.1	205	615	8.5	C66A155-S2B0****
2.2	32	37	22	27.5	-	0.8	4.8	300	900	10	C66A225-S2B0****
1.5	42	26	15	37.5	-	1.0	8.2	133	399	7.5	C66A155-S2E0****
2.2	42	32	17	37.5	-	1.0	6.0	196	588	9.5	C66A225-S2E0****
3.3	42	37	22	37.5	-	1.0	4.5	294	882	12.5	C66A335-S2E0****
3.3	42	37	22	37.5	10.2	1.0	3.9	294	882	13.5	C66A335-S2E01***
4.7	42	41	26	37.5	-	1.0	3.6	418	1254	14	C66A475-S2E0****
4.7	42	41	26	37.5	10.2	1.0	3.0	418	1254	16.5	C66A475-S2E01***
5	42	43	28	37.5	-	1.0	3.5	445	1335	14	C66A505-S2E0****
5	42	43	28	37.5	10.2	1.0	2.8	445	1335	17.5	C66A505-S2E01***
7	42	50	30	37.5	20.3	1.2	2.1	623	1869	22	C66A705-S2E03***
8	42	50	35	37.5	20.3	1.2	1.9	712	2136	24	C66A805-S2E03***
10	42	55	40	37.5	20.3	1.2	1.6	890	2670	27.5	C66A106-S2E03***
8	57	43.5	29.5	52.5	20.3	1.2	2.9	468	1404	20	C66A805-S2G03***
10	57	50	35	52.5	20.3	1.2	2.5	584	1752	24	C66A106-S2G03***
15K	57	57	38	52.5	20.3	1.2	1.9	833	2499	29.5	C66A156KS2G03***

◆ 产品尺寸及性能参数: Product Dimension and Characteristic Data:

U <sub>r</sub> =500Vac / U <sub>NDC</sub> =900Vdc												
C (μF)	W	H	T	P	P1	d	ESR@10KHz	$\hat{I}$	$\hat{I}_s$	I <sub>RMS</sub> (A)	产品代码 Part number	
							(mΩ)	(A)	(A)			
1K	32	28	17	27.5	-	0.8	7.7	152	456	7	C66A105KH2B0****	
1.5	32	37	22	27.5	-	0.8	5.9	227	681	9.5	C66A155-H2B0****	
1.5	42	32	17	37.5	-	1.0	7.8	148	444	8.5	C66A155-H2E0****	
2	42	33.5	18.5	37.5	-	1.0	6.1	198	594	10	C66A205-H2E0****	
2.5	42	37	22	37.5	-	1.0	5.2	282	846	11.5	C66A255KH2E0****	
3.5	42	41	26	37.5	-	1.0	4.1	346	1038	14	C66A355-H2E0****	
3.5	42	41	26	37.5	10.2	1.0	3.5	346	1038	15.5	C66A355-H2E0****	
4	42	43	28	37.5	-	1.0	3.8	396	1188	14	C66A405-H2E0****	
4	42	43	28	37.5	10.2	1.0	3.2	396	1188	16.5	C66A405-H2E0****	
5	42	50	30	37.5	-	1.0	3.5	494	1482	14	C66A505-H2E0****	
5	42	50	30	37.5	20.3	1.2	2.5	494	1482	20	C66A505-H2E0****	
6	42	50	35	37.5	20.3	1.2	2.2	593	1779	22.5	C66A605-H2E0****	
8	42	55	40	37.5	20.3	1.2	1.8	791	2373	26.5	C66A805-H2E0****	
6.8	57	43.5	29.5	52.5	20.3	1.2	3.1	442	1326	19.5	C66A635-H2G0****	
9	57	50	35	52.5	20.3	1.2	2.5	584	1752	24	C66A905-H2G0****	
12K	57	57	38	52.5	20.3	1.2	2.1	740	2220	28	C66A126KH2G0****	

U <sub>r</sub> =550Vac / U <sub>NDC</sub> =1000Vdc												
C (μF)	W	H	T	P	P1	d	ESR@10KHz	$\hat{I}$	$\hat{I}_s$	I <sub>RMS</sub> (A)	产品代码 Part number	
							(mΩ)	(A)	(A)			
1	32	33	18	27.5	-	0.8	7.6	167	501	8	C66A105-T1B0****	
1.5	32	37	22	27.5	-	0.8	5.7	250	750	10	C66A155-T1B0****	
1.5	42	33.5	18.5	37.5	-	1.0	7.4	163	489	9	C66A155-T1E0****	
2.2	42	37	22	37.5	-	1.0	5.4	239	717	11.5	C66A225-T1E0****	
3	42	41	26	37.5	-	1.0	4.4	326	978	13.5	C66A305-T1E0****	
3	42	41	26	37.5	10.2	1.0	3.8	326	978	14.5	C66A305-T1E01***	
3.5	42	43	28	37.5	-	1.0	4.0	381	1143	14	C66A355-T1E0****	
3.5	42	43	28	37.5	10.2	1.0	3.3	381	1143	16	C66A355-T1E01***	
5	42	50	35	37.5	20.3	1.2	2.4	544	1632	21.5	C66A505-T1E03***	
6	42	55	40	37.5	20.3	1.2	2.1	653	1959	24.5	C66A605-T1E03***	
5	57	43.5	29.5	52.5	20.3	1.2	3.8	357	1071	17.5	C66A505-T1G03***	
7.5	57	50	35	52.5	20.3	1.2	2.7	536	1608	23	C66A755-T1G03***	
10K	57	57	38	52.5	20.3	1.2	2.2	679	2037	27	C66A106KT1G03****	

备注:

“-” : 客户要求的容量偏差;

ESR 值为 f=10KHz 下的典型值;

I<sub>RMS</sub> 值为 f=10KHz、T<sub>amb</sub>=85℃、散热条件 10W/m<sup>2</sup>/℃、  
ΔT<sub>case</sub>≤15℃的最大电流有效值。

“-”=custom's capacitor tolerance code, J=±5%, K=±10%;

ESR typical values at 10KHz;

I<sub>RMS</sub> is the maximum R.M.S current at 10KHz、T<sub>amb</sub>=85℃、  
ΔT<sub>case</sub>≤15℃.( Coefficient of heat dissipation: 10W/m<sup>2</sup>/℃)

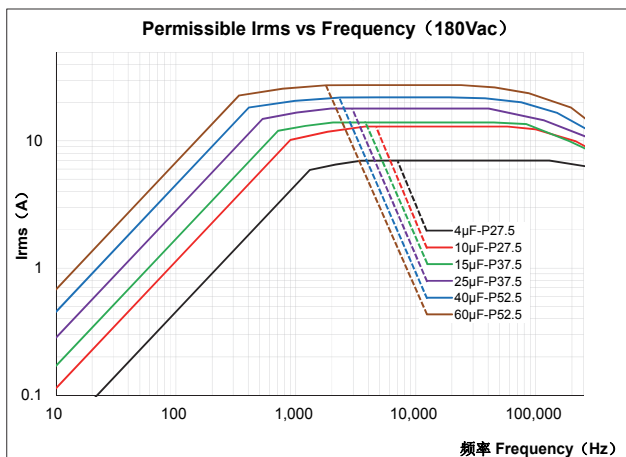


# CBB66A

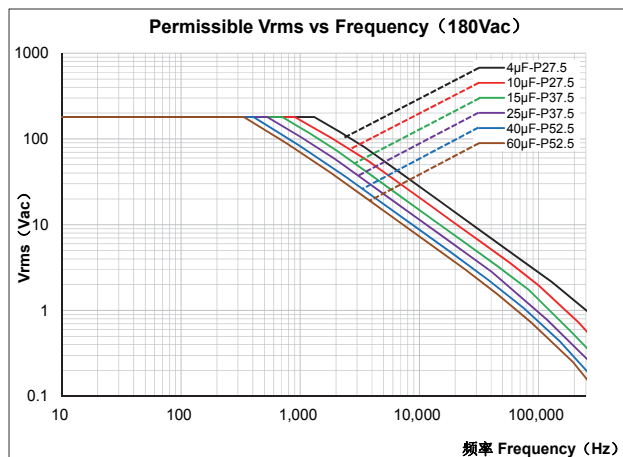
## CBB66A series

### ◆有效值交流电压&电流频率曲线 Permissible Vrms & Irms vs Frequency

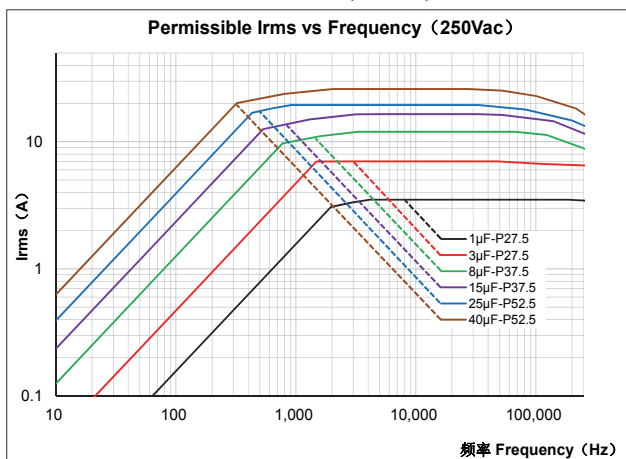
180Vac-P27.5~P52.5mm ( Irms ):



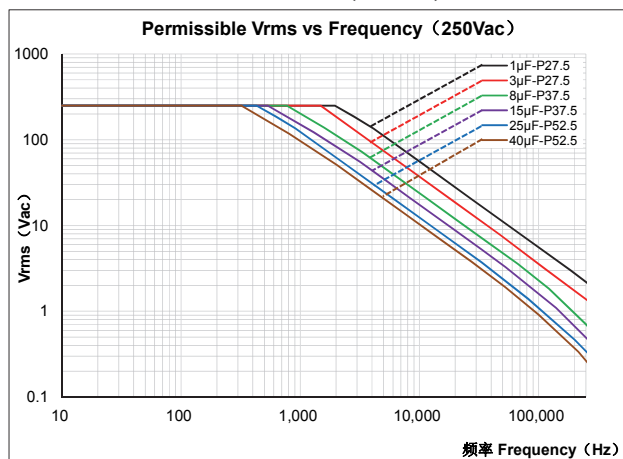
180Vac-P27.5~P52.5mm ( Vrms ):



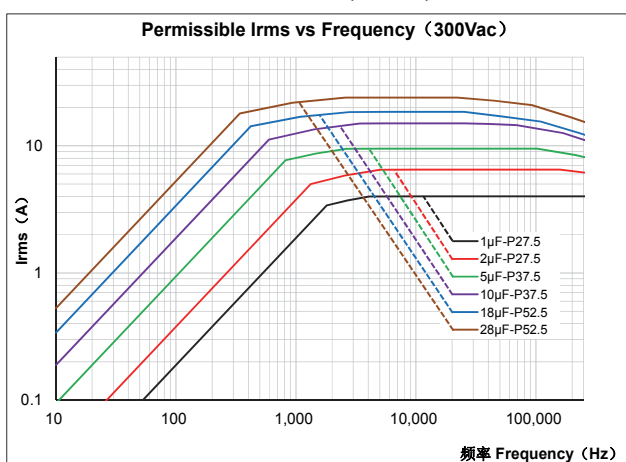
250Vac-P27.5~P52.5mm ( Irms ):



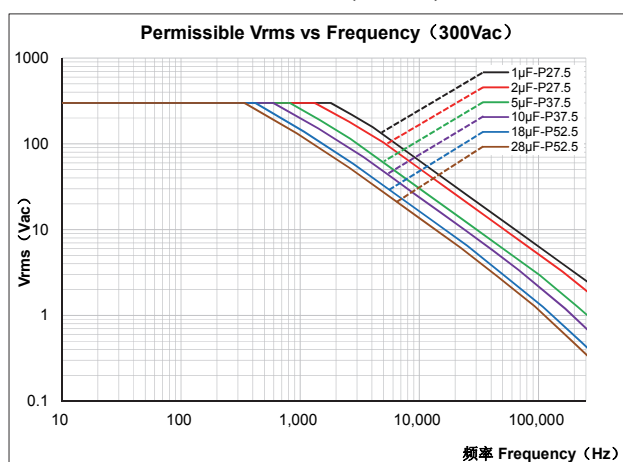
250Vac-P27.5~P52.5mm ( Vrms ):



300Vac-P27.5~P52.5mm ( Irms ):



300Vac-P27.5~P52.5mm ( Vrms ):



注:

纹波电流或纹波电压值基于  $T_{amb}=85^{\circ}C$  条件下;  
 产品散热系数:  $10W/m^2/^{\circ}C$ ;  
 当  $f \geq 100KHz$ ,  $I_{rms}$  和  $V_{rms}$  仅供参考。

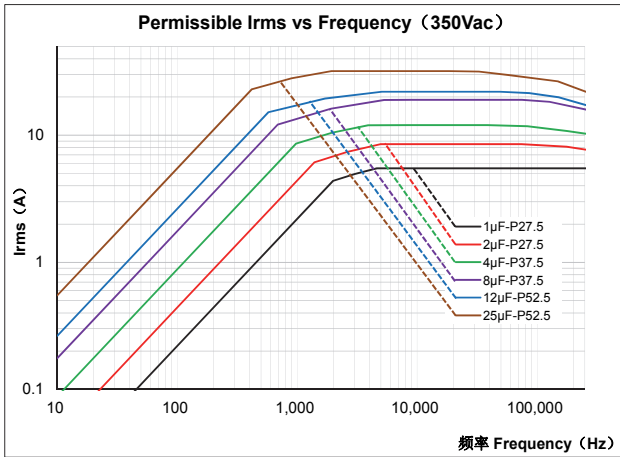
Note:

Permissible Vrms & Irms curves frequency  $f$  at  $T_{amb}=85^{\circ}C$  ;  
 Coefficient of heat dissipation:  $10W/m^2/^{\circ}C$  ;  
 At  $f \geq 100KHz$ ,  $I_{rms}$  &  $V_{rms}$  are only for reference.

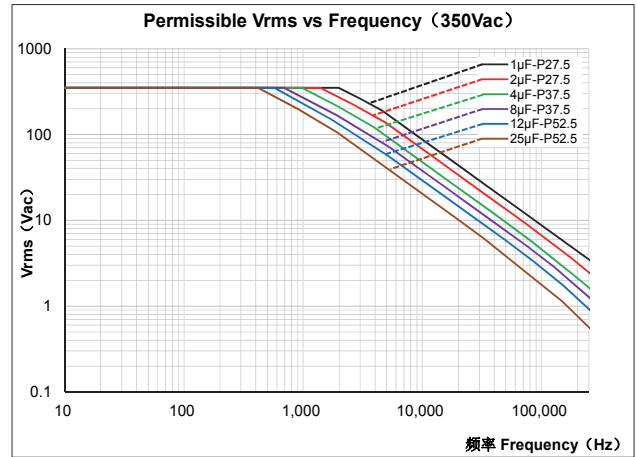


◆有效值交流电压&电流频率曲线 Permissible Vrms & Irms vs Frequency

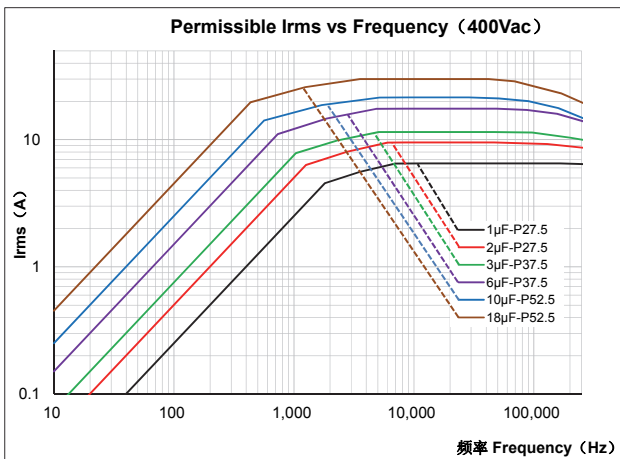
350Vac-P27.5~P52.5mm ( Irms ):



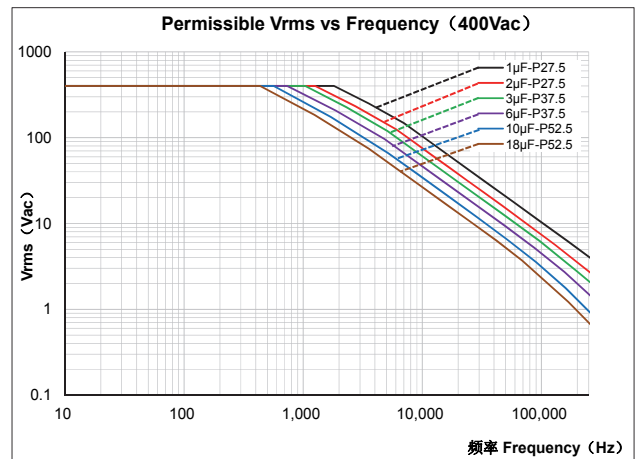
350Vac-P27.5~P52.5mm ( Vrms ):



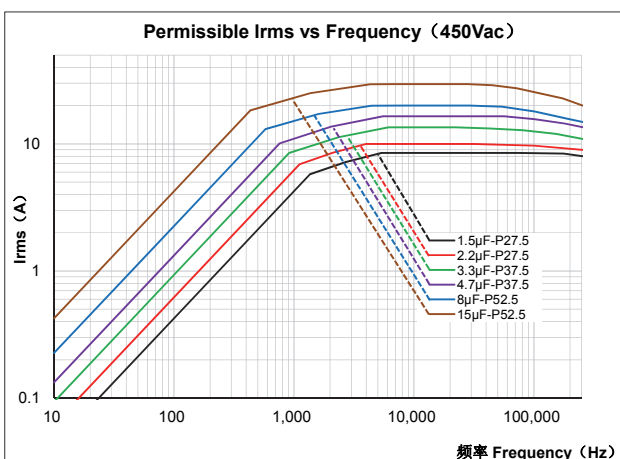
400Vac-P27.5~P52.5mm ( Irms ):



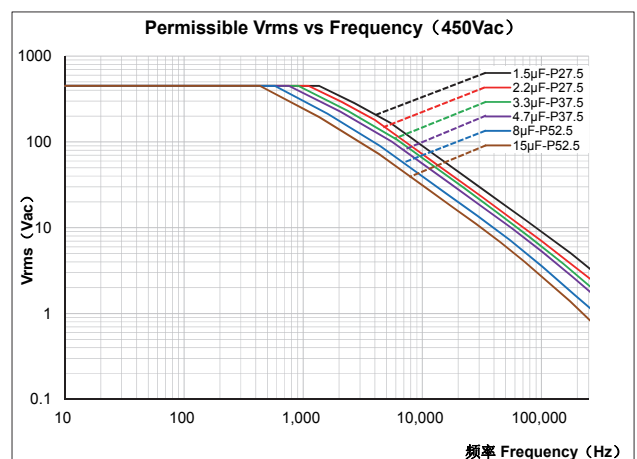
400Vac-P27.5~P52.5mm ( Vrms ):



450Vac-P27.5~P52.5mm ( Irms ):



450Vac-P27.5~P52.5mm ( Vrms ):



注:

纹波电流或纹波电压值基于  $T_{amb}=85^{\circ}C$  条件下;  
产品散热系数:  $10W/m^2/^{\circ}C$ ;  
当  $f \geq 100KHz$ ,  $I_{rms}$  和  $V_{rms}$  仅供参考。

Note:

Permissible Vrms & Irms curves frequency  $f$  at  $T_{amb}=85^{\circ}C$  ;  
Coefficient of heat dissipation:  $10W/m^2/^{\circ}C$  ;  
At  $f \geq 100KHz$ ,  $I_{rms}$  &  $V_{rms}$  are only for reference.



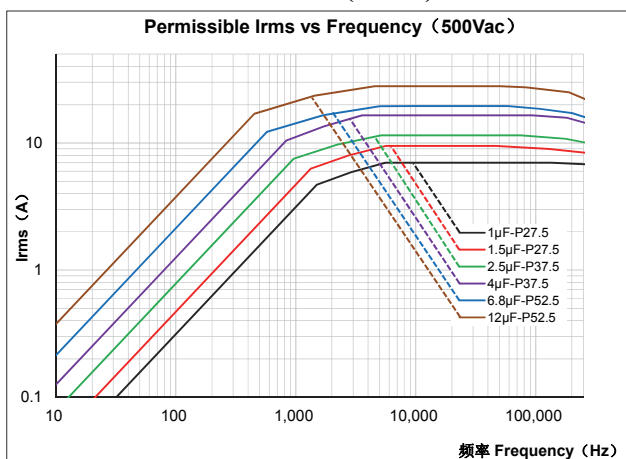


# CBB66A

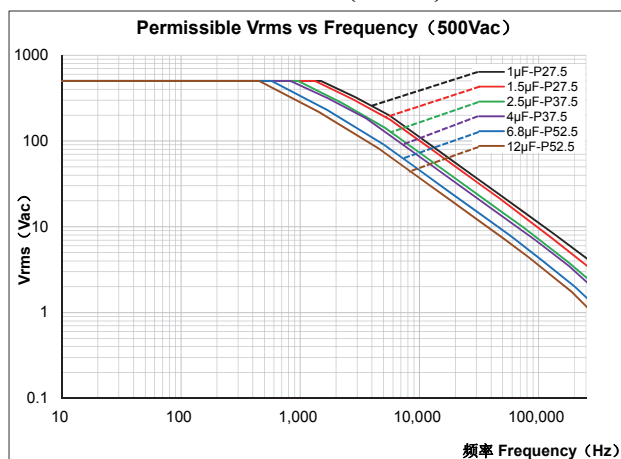
## CBB66A series

### ◆有效值交流电压&电流频率曲线 Permissible Vrms & Irms vs Frequency

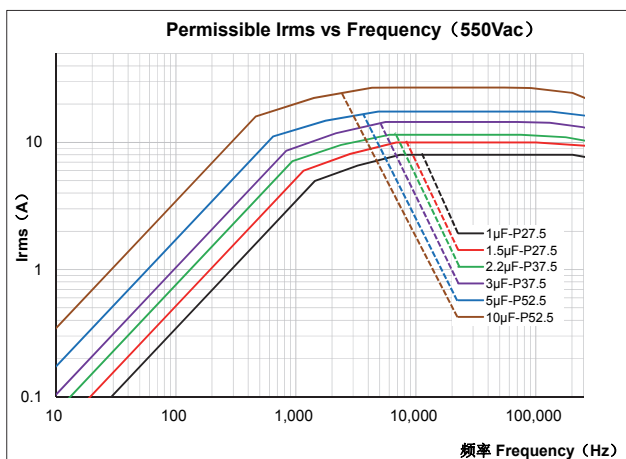
500Vac-P27.5~P52.5mm ( Irms ):



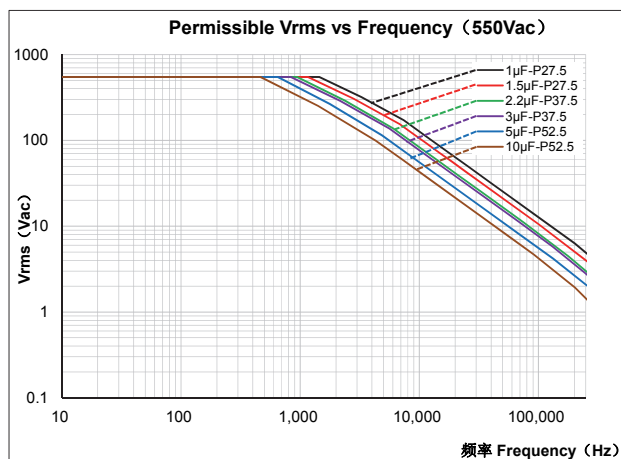
500Vac-P27.5~P52.5mm ( Vrms ):



550Vac-P27.5~P52.5mm ( Irms ):



550Vac-P27.5~P52.5mm ( Vrms ):



注:

纹波电流或纹波电压值基于  $T_{amb}=85^{\circ}C$  条件下;  
 产品散热系数:  $10W/m^2/^{\circ}C$ ;  
 当  $f \geq 100KHz$ ,  $I_{rms}$  和  $V_{rms}$  仅供参考。

Note:

Permissible Vrms & Irms curves frequency f at  $T_{amb}=85^{\circ}C$  ;  
 Coefficient of heat dissipation:  $10W/m^2/^{\circ}C$  ;  
 At  $f \geq 100KHz$ ,  $I_{rms}$  &  $V_{rms}$  are only for reference.

◆可靠性: Reliability.

Test description	Reference	Test conditions	Determine criteria
极间耐压 Voltage test between terminals	IEC 61071	1.5 x U <sub>NDC</sub> at Tamb Duration: 60 s	No visible damage  ΔC/C : ≤0.5% tan δ: ≤1.2 initial tan δ+ 1×10 <sup>-4</sup> at 10KHz R <sub>ins</sub> : ≥ 50% of IR limit
耐焊接热 Resistance to soldering heat	IEC 60068-2-20	Solder bath temperature at 260°C±5°C, Immersion time: 10s±1s	No visible damage  ΔC/C : ≤0.5% Increase of tan δ: ≤ 50 ×10 <sup>-4</sup> at 10KHz
引出端强度 Robustness of terminations	IEC 60068-2-21	Wire diameter & Tensile force 0.5 < d <sub>1</sub> ≤0.8 mm 10N 0.8 < d <sub>1</sub> ≤1.25 mm 20N	No visible damage
放电实验 Surge discharge test	IEC 61071	1.1 x U <sub>NDC</sub> Number of discharges: 5(within 10 minutes)	No visible damage  ΔC/C : ≤ 1.0 % Tan δ: ≤1.2 initial tan δ+ 1×10 <sup>-4</sup> at 10KHz R <sub>ins</sub> : ≥ 50% of IR limit
温度变化 Change of temperature	IEC 60068-2-14	Tmax. =85 °C Tmin. = - 40 °C Transition time: 1 h, equivalent to 1°C/min 5 cycles	No visible damage  ΔC/C : ≤ 2.0 % Increase of tan δ: ≤ 150 ×10 <sup>-4</sup> at 10KHz R <sub>ins</sub> : ≥ 50% of IR limit
耐湿性 Damp heat steady	IEC 60068-2-78	Tmax. = 40 °C RH = 93 % Duration 56 days	No visible damage  ΔC/C : ≤ 2.0 % Increase of tan δ: ≤ 150 ×10 <sup>-4</sup> at 10KHz R <sub>ins</sub> : ≥ 50% of IR limit
耐湿负荷 Biased humidity	AEC-Q200	T = 40 °C RH = 93 % at Ur Duration: 1000h	NO visible damage  ΔC/C : ≤ 5 % R <sub>ins</sub> : ≥ 200MΩ
		T = 60 °C RH = 93 % at Ur Duration: 1000h	NO visible damage  ΔC/C : ≤ 10 % R <sub>ins</sub> : ≥ 200MΩ
耐久性 Endurance test between terminals	IEC 61071	1.25 × Ur at Tmax. = 85 °C Duration 500 h 1000 × discharge at 1.4 × I (repetitive peak current in continuous operation) 1.25× Ur at Tmax. = 85 °C Duration 500 h	No visible damage  ΔC/C : ≤ 3 % Increase of tan δ: ≤ 150×10 <sup>-4</sup> at 10KHz R <sub>ins</sub> : ≥ 50% of IR limit
自愈性测试 Self healing test	IEC 61071	1.5 × U <sub>NDC</sub> Duration 10 sec, Number of Self healing ≤ 5, increase the voltage at 100 V/s till 5, with a max. of 2.5× U <sub>NDC</sub> for a duration of 10 sec	No visible damage  ΔC/C : ≤ 0.5 % tan δ: ≤ 1.1 initial tan δ + 1×10 <sup>-4</sup> at 10KHz
振动 Vibration	IEC60068	f=10 Hz to 55 Hz a=±0.35mm Test duration per axis = 10 frequency cycles (3 axes offset from each other by 90°) 1 octave/min, the total times are 135 min for 3axes	No visible damage



CBB66H (THB)

中星 CBB66H series (THB)

## CBB66H 高防潮型交流输出滤波电容器(THB)

### CBB66H Strong Moisture Resistance Type AC Output Filter Capacitor (THB)

< 85°C/85%RH /1000h /U<sub>r</sub> >

#### ◆ 外形图 Outline Drawing

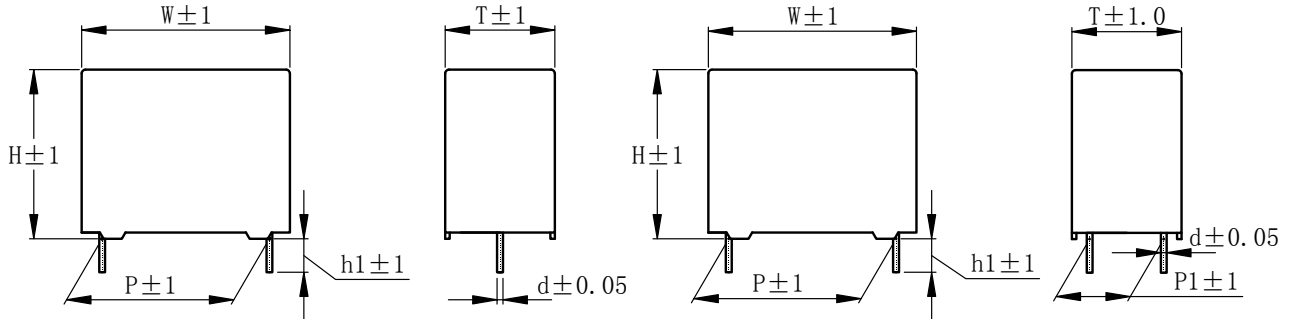


图 1: 2Pins

图 2: 4Pins

#### ◆ 特点及用途 Application and Feature

金属化聚丙烯薄膜卷绕，适用于小功率交流滤波电路，如 UPS，太阳能光伏 DC/AC 逆变器中的滤波。

Metallized polypropylene film capacitor, suitable for small power AC output filter, for example: UPS, solar photovoltaic DC/AC inverter with filter.

#### ◆ 技术标准

参照标准 Reference Standard	GB/T 17702、IEC 61071	
气候类别 Climatic Category	40/85/56	
额定交流电压 Rated AC Voltage	180Vac ~ 550Vac	
额定直流电压 Rated DC Voltage	300Vdc~1000Vdc	
电容量范围 Capacitance Range	0.33μF~90.0μF	
工作温度范围(热点) Operation Temperature Range(Hot Spot)	-40°C~105°C (+85°C~+105°C: 1.5% /°C of U <sub>OP</sub> derating compared to U <sub>r</sub> at 85°C)	
电容量偏差 Capacitance Tolerance	±5%(J)、±10%(K) (20±5°C, 1kHz)	
耐电压 Voltage Proof	极间 Between terminals	U=1.5U <sub>NDC</sub> (20°C, 10s)
	极壳 Between terminals to case	2000Vac(10s), 50Hz
绝缘电阻 Insulation Resistance	IR×C≥30 000s(20°C, 100Vdc, 1min)	
损耗角正切 Dissipation Factor	Tan δ≤20×10 <sup>-4</sup> (1KHz, 20°C)	
工作寿命 Operation Life Time	>60 000 hours at 0.9 U <sub>r</sub> , Θ <sub>max</sub> =70°C	

◆ 产品代码编写说明: Part number code system:

16 位产品代码如下: The 16 digits part number is formed as follow:

1	2	3	4	5	6	7	8	9	10	11	12	13	14	15	16
C	6	6	H												

第 1~4 位	薄膜电容器系列代码 C66H=CBB66H	Digit 1~4	Series code of film capacitor C66H=CBB66H
第 5~7 位	标称容量代码 举例: 105=10×10 <sup>5</sup> pF=1μF	Digit 5~7	Rated capacitance value code For example: 105=10×10 <sup>5</sup> pF=1μF
第 8 位	容量等级代码 J=±5%K=±10%	Digit 8	Capacitance tolerance code J=±5%K=±10%
第 9~10 位	交流额定电压代码 M2=180Vac E2=250Vac F2=300Vac Q3=350Vac G2=400Vac S2=450Vac H2=500Vac T1=550Vac	Digit 9~10	AC rated voltage code M2=180Vac E2=250Vac F2=300Vac Q3=350Vac G2=400Vac S2=450Vac H2=500Vac T1=550Vac
第 11 位	引线间距 B=27.5mm E=37.5mm G=52.5mm	Digit 11	Pitch B=27.5mm E=37.5mm G=52.5mm
第 12 位	内部特征码	Digit 12	Internal use
第 13~16 位	引出端代码 见表 1	Digit 13~16	Terminals code Referring to table 1
表 1	引线形式代码	Table 1	Lead form code

第13位 Digit13		第14~15位 Digit14~Digit15		第 16 位 Digit16	
引线形式及P1 Lead form and pitch P1		引线长度 Lead length		引线长度偏差 Length tolerance	
代码 Code	说明 explanation	代码 Code	说明 explanation	代码 Code	说明 explanation
0	2Pins P1=0mm	00	标准引线长度5.5mm standard lead length 5.5mm	0	引线长度偏差±1.0mm Length tolerance±1.0mm
1	4Pins P1=5.1mm				
2	4Pins P1=10.2mm				
3	4Pins P1=12.7mm				
4	4Pins P1=15.2mm				
5	4Pins P1=20.3mm				



**CBB66H (THB)**  
**CBB66H series (THB)**

◆ **产品尺寸及性能参数: Product Dimension and Characteristic Data:**

Ur=180Vac / UNDC=300Vdc											
C (μF)	W	H	T	P	P1	d	ESR@10KHz	$\hat{I}$	$\hat{I}_s$	I <sub>RMS</sub> (A)	产品代码 Part number
							(mΩ)	(A)	(A)		
2	32	20	11	27.5	-	0.8	10.8	140	420	5.0	C66H205-M2B00000
3	32	25	11	27.5	-	0.8	7.6	210	630	6.5	C66H305-M2B00000
4	32	24.5	15	27.5	-	0.8	6	280	840	7.5	C66H405-M2B00000
5	32	28	14	27.5	-	0.8	5	350	1050	8.5	C66H505-M2B00000
7	32	30	16	27.5	-	0.8	4	490	1470	10.0	C66H705-M2B00000
9	32	33	18	27.5	-	0.8	3.3	630	1890	10.0	C66H905-M2B00000
9	32	33	18	27.5	10.2	0.8	2.7	630	1890	13.0	C66H905-M2B02000
10	32	37	22	27.5	-	0.8	3.3	700	2100	10.0	C66H106-M2B00000
10	32	37	22	27.5	10.2	0.8	2.6	700	2100	14.5	C66H106-M2B02000
12	32	37	22	27.5	-	0.8	2.9	840	2520	10.0	C66H126-M2B00000
12	32	37	22	27.5	10.2	0.8	2.2	840	2520	16.0	C66H126-M2B02000
7	42	26	15	37.5	-	1	6	280	840	9.0	C66H705-M2E00000
8	42	30	16	37.5	-	1	5.4	320	960	10.0	C66H805-M2E00000
9	42	30	16	37.5	-	1	4.9	360	1080	10.5	C66H905-M2E00000
10	42	33.5	18.5	37.5	-	1	4.5	400	1200	11.5	C66H106-M2E00000
10	42	33.5	18.5	37.5	10.2	1	4.1	400	1200	12.0	C66H106-M2E02000
12	42	33.5	18.5	37.5	-	1	3.8	480	1440	12.0	C66H126-M2E00000
12	42	33.5	18.5	37.5	10.2	1	3.4	480	1440	13.0	C66H126-M2E02000
15	42	37	22	37.5	-	1	3.3	600	1800	14.0	C66H156-M2E00000
15	42	37	22	37.5	10.2	1	2.9	600	1800	15.0	C66H156-M2E02000
22	42	41	26	37.5	-	1	2.6	880	2640	14.0	C66H226-M2E00000
22	42	41	26	37.5	10.2	1	2.1	880	2640	19.0	C66H226-M2E02000
30	42	45	30	37.5	10.2	1.2	1.6	1200	3600	23.0	C66H306-M2E02000
30	42	45	30	37.5	20.3	1.2	1.6	1200	3600	23.0	C66H306-M2E05000
35	42	50	30	37.5	10.2	1.2	1.4	1400	4200	27.5	C66H356-M2E02000
35	42	50	30	37.5	20.3	1.2	1.4	1400	4200	27.5	C66H356-M2E05000
40	42	55	35	37.5	20.3	1.2	1.3	1600	4800	29.5	C66H406-M2E05000
45	42	55	35	37.5	20.3	1.2	1.2	1800	5400	29.5	C66H456-M2E05000
40	57	45	30	52.5	10.2	1.2	2.1	800	2400	23.5	C66H406-M2G02000
40	57	45	30	52.5	20.3	1.2	2.1	800	2400	23.5	C66H406-M2G05000
50	57	50	35	52.5	20.3	1.2	1.8	1000	3000	28.0	C66H506-M2G05000
55	57	50	35	52.5	20.3	1.2	1.7	1100	3300	28.0	C66H556-M2G05000
60	57	57	35	52.5	20.3	1.2	1.6	1200	3600	29.5	C66H606-M2G05000
70	57	57	35	52.5	20.3	1.2	1.4	1400	4200	29.5	C66H706-M2G05000
80	57	60	40	52.5	20.3	1.2	1.4	1600	4800	32.0	C66H806-M2G05000
90	57	60	45	52.5	20.3	1.2	1.3	1800	5400	32.0	C66H906-M2G05000

◆ 产品尺寸及性能参数: Product Dimension and Characteristic Data:

Ur=250Vac / UNDC =450Vdc											
C ( $\mu$ F)	W	H	T	P	PI	d	ESR@10KHz	$\hat{I}$	$\hat{I}_s$	I <sub>RMS</sub> (A)	产品代码 Part number
							(m $\Omega$ )	(A)	(A)		
1.5	32	20	11	27.5	-	0.8	12	135	405	4.5	C66H155-E2B00000
2	32	25	11	27.5	-	0.8	9.3	180	540	6.0	C66H205-E2B00000
3	32	24.5	15	27.5	-	0.8	6.7	270	810	7.0	C66H305-E2B00000
3.5	32	28	14	27.5	-	0.8	5.9	315	945	8.0	C66H355-E2B00000
4	32	30	16	27.5	-	0.8	5.3	360	1080	8.5	C66H405-E2B00000
5	32	33	18	27.5	-	0.8	4.5	450	1350	10.0	C66H505-E2B00000
5	32	33	18	27.5	10.2	0.8	3.8	450	1350	10.5	C66H505-E2B02000
6	32	37	22	27.5	-	0.8	4.1	540	1620	10.0	C66H605-E2B00000
6	32	37	22	27.5	10.2	0.8	3.3	540	1620	12.5	C66H605-E2B02000
7	32	37	22	27.5	-	0.8	3.6	630	1890	10.0	C66H705-E2B00000
7	32	37	22	27.5	10.2	0.8	2.9	630	1890	13.5	C66H705-E2B02000
4.5	42	26	15	37.5	-	1	7.6	270	810	8.0	C66H455-E2E00000
5	42	30	16	37.5	-	1	6.9	300	810	9.0	C66H505-E2E00000
6	42	30	16	37.5	-	1	5.9	360	900	9.5	C66H605-E2E00000
8	42	33.5	18.5	37.5	-	1	4.6	480	1080	11.5	C66H805-E2E00000
8	42	33.5	18.5	37.5	10.2	1	4.2	480	1440	12.0	C66H805-E2E02000
10	42	37	22	37.5	-	1	3.9	600	1440	13.0	C66H106-E2E00000
10	42	37	22	37.5	10.2	1	3.4	600	1800	14.0	C66H106-E2E02000
15	42	41	26	37.5	-	1	2.9	900	1800	14.0	C66H156-E2E00000
15	42	41	26	37.5	10.2	1	2.4	900	2700	17.5	C66H156-E2E02000
20	42	45	30	37.5	10.2	1.2	1.8	1200	2700	23.0	C66H206-E2E02000
20	42	45	30	37.5	20.3	1.2	1.8	1200	3600	23.0	C66H206-E2E05000
22	42	50	30	37.5	10.2	1.2	1.7	1320	3600	23.5	C66H226-E2E02000
22	42	50	30	37.5	20.3	1.2	1.7	1320	3960	23.5	C66H226-E2E05000
30	42	55	35	37.5	20.3	1.2	1.4	1800	3960	29.5	C66H306-E2E05000
27	57	45	30	52.5	10.2	1.2	2.5	810	3420	21.0	C66H276-E2G02000
27	57	45	30	52.5	20.3	1.2	2.5	810	2430	21.0	C66H276-E2G05000
30	57	50	35	52.5	20.3	1.2	2.4	900	2700	23.0	C66H306-E2G05000
35	57	50	35	52.5	20.3	1.2	2	1050	3150	25.0	C66H356-E2G05000
40	57	57	35	52.5	20.3	1.2	1.8	1200	3600	29.5	C66H406-E2G05000
45	57	57	35	52.5	20.3	1.2	1.7	1350	4050	29.5	C66H456-E2G05000
50	57	60	40	52.5	20.3	1.2	1.6	1500	4500	31.0	C66H506-E2G05000
60	57	60	45	52.5	20.3	1.2	1.4	1800	5400	32.0	C66H606-E2G05000



**CBB66H (THB)**  
**CBB66H series (THB)**

◆ **产品尺寸及性能参数: Product Dimension and Characteristic Data:**

Ur =300Vac / UNDC=500Vdc											
C (μF)	W	H	T	P	P1	d	ESR@10KHz	$\hat{I}$	$\hat{I}_s$ (A)	I <sub>RMS</sub> (A)	产品代码 Part number
							(mΩ)	(A)			
1	32	20	11	27.5	-	0.8	9.4	100	300	5.5	C66H105-F2B00000
1.5	32	25	11	27.5	-	0.8	6.7	150	450	6.5	C66H155-F2B00000
2	32	24.5	15	27.5	-	0.8	5.4	200	600	8.0	C66H205-F2B00000
2.2	32	28	14	27.5	-	0.8	5	220	660	8.5	C66H225-F2B00000
3	32	30	16	27.5	-	0.8	4	300	900	10.0	C66H305-F2B00000
3.9	32	33	18	27.5	-	0.8	3.4	390	1170	10.0	C66H395-F2B00000
3.9	32	33	18	27.5	10.2	0.8	2.7	390	1170	13.0	C66H395-F2B02000
5	32	37	22	27.5	-	0.8	3	500	1500	10.0	C66H505-F2B00000
5	32	37	22	27.5	10.2	0.8	2.3	500	1500	16.0	C66H505-F2B02000
3	42	26	15	37.5	-	1	5.3	210	630	9.0	C66H305-F2E00000
3.9	42	30	16	37.5	-	1	4.3	273	819	11.0	C66H395-F2E00000
5	42	33.5	18.5	37.5	-	1	3.5	350	1050	13.0	C66H505-F2E00000
5	42	33.5	18.5	37.5	10.2	1	3.1	350	1050	14.0	C66H505-F2E02000
6.8	42	37	22	37.5	-	1	2.8	476	1428	14.0	C66H685-F2E00000
6.8	42	37	22	37.5	10.2	1	2.4	476	1428	16.0	C66H685-F2E02000
9	42	41	26	37.5	-	1	2.4	630	1890	14.0	C66H905-F2E00000
9	42	41	26	37.5	10.2	1	1.9	630	1890	19.0	C66H905-F2E02000
12	42	45	30	37.5	10.2	1.2	1.4	840	2520	23.0	C66H126-F2E02000
12	42	45	30	37.5	20.3	1.2	1.4	840	2520	23.0	C66H126-F2E05000
15	42	50	30	37.5	10.2	1.2	1.2	1050	3150	27.5	C66H156-F2E02000
15	42	50	30	37.5	20.3	1.2	1.2	1050	3150	27.5	C66H156-F2E05000
18	42	55	35	37.5	20.3	1.2	1.1	1260	3780	29.5	C66H186-F2E05000
18	57	45	30	52.5	10.2	1.2	1.7	720	2160	26.0	C66H186-F2G02000
18	57	45	30	52.5	20.3	1.2	1.7	720	2160	26.0	C66H186-F2G05000
25	57	50	35	52.5	20.3	1.2	1.3	1000	3000	32.0	C66H256-F2G05000
30	57	57	35	52.5	20.3	1.2	1.2	1200	3600	32.0	C66H306-F2G05000
35	57	60	40	52.5	20.3	1.2	1.1	1400	4200	32.0	C66H356-F2G05000
40	57	60	45	52.5	20.3	1.2	1.1	1600	4800	32.0	C66H406-F2G05000

◆ 产品尺寸及性能参数: Product Dimension and Characteristic Data:

Ur=350Vac / UNDC=600Vdc											
C ( $\mu$ F)	W	H	T	P	P1	d	ESR@10KHz	$\hat{I}$	$\hat{I}_s$	I <sub>RMS</sub> (A)	产品代码 Part number
							(m $\Omega$ )	(A)	(A)		
0.68	32	20	11	27.5	-	0.8	12	75	224	4.5	C66H684-Q3B00000
1	32	25	11	27.5	-	0.8	8.6	110	330	6.0	C66H105-Q3B00000
1.5	32	24.5	15	27.5	-	0.8	6.2	165	495	7.5	C66H155-Q3B00000
2	32	30	16	27.5	-	0.8	5	220	660	9.0	C66H205-Q3B00000
2.7	32	33	18	27.5	-	0.8	4	297	891	10.0	C66H275-Q3B00000
2.7	32	33	18	27.5	10.2	0.8	3.3	297	891	11.5	C66H275-Q3B02000
3.9	32	37	22	27.5	-	0.8	3.2	429	1287	10.0	C66H395-Q3B00000
3.9	32	37	22	27.5	10.2	0.8	2.5	429	1287	14.5	C66H395-Q3B02000
2.2	42	26	15	37.5	-	1	6.2	165	495	8.5	C66H225-Q3E00000
2.7	42	30	16	37.5	-	1	5.2	203	608	10.0	C66H275-Q3E00000
3.9	42	33.5	18.5	37.5	-	1	3.9	293	878	12.0	C66H395-Q3E00000
3.9	42	33.5	18.5	37.5	10.2	1	3.4	293	878	13.0	C66H395-Q3E02000
5	42	37	22	37.5	-	1	3.2	375	1125	14.0	C66H505-Q3E00000
5	42	37	22	37.5	10.2	1	2.8	375	1125	16.0	C66H505-Q3E02000
6.8	42	41	26	37.5	-	1	2.7	510	1530	14.0	C66H685-Q3E00000
6.8	42	41	26	37.5	10.2	1	2.2	510	1530	19.0	C66H685-Q3E02000
9	42	45	30	37.5	10.2	1.2	1.6	675	2025	23.0	C66H905-Q3E02000
9	42	45	30	37.5	20.3	1.2	1.6	675	2025	23.0	C66H905-Q3E05000
10	42	50	30	37.5	10.2	1.2	1.5	750	2250	23.5	C66H106-Q3E02000
10	42	50	30	37.5	20.3	1.2	1.5	750	2250	23.5	C66H106-Q3E05000
12	42	55	35	37.5	20.3	1.2	1.4	900	2700	29.5	C66H126-Q3E05000
12	57	45	30	52.5	10.2	1.2	2.1	540	1620	23.5	C66H126-Q3G02000
12	57	45	30	52.5	20.3	1.2	2.1	540	1620	23.5	C66H126-Q3G05000
15	57	50	35	52.5	20.3	1.2	1.8	675	2025	28.0	C66H156-Q3G05000
18	57	50	35	52.5	20.3	1.2	1.6	810	2430	28.0	C66H186-Q3G05000
20	57	57	35	52.5	20.3	1.2	1.4	900	2700	29.5	C66H206-Q3G05000
25	57	60	40	52.5	20.3	1.2	1.3	1125	3375	32.0	C66H256-Q3G05000
28	57	60	45	52.5	20.3	1.2	1.2	1260	3780	32.0	C66H286-Q3G05000





**CBB66H (THB)**  
**CBB66H series (THB)**

◆ **产品尺寸及性能参数: Product Dimension and Characteristic Data:**

Ur =400Vac / UNDC=700Vdc											
C (μF)	W	H	T	P	P1	d	ESR@10KHz	$\hat{I}$	$\hat{I}_s$	Irms (A)	产品代码 Part number
							(mΩ)	(A)	(A)		
0.56	32	20	11	27.5	-	0.8	13.3	67	202	4.5	C66H564-G2B00000
0.82	32	25	11	27.5	-	0.8	9.5	98	295	5.5	C66H824-G2B00000
1	32	24.5	15	27.5	-	0.8	8	120	360	6.5	C66H105-G2B00000
1.2	32	28	14	27.5	-	0.8	6.9	144	432	7.5	C66H125-G2B00000
1.5	32	30	16	27.5	-	0.8	5.8	180	540	8.5	C66H155-G2B00000
2	32	33	18	27.5	-	0.8	4.7	240	720	10.0	C66H205-G2B00000
2	32	33	18	27.5	10.2	0.8	4	240	720	10.5	C66H205-G2B02000
3	32	37	22	27.5	-	0.8	3.6	360	1080	10.0	C66H305-G2B00000
3	32	37	22	27.5	10.2	0.8	2.9	360	1080	13.5	C66H305-G2B02000
1.5	42	26	15	37.5	-	1	8	120	360	7.5	C66H155-G2E00000
2	42	30	16	37.5	-	1	6.2	160	480	9.0	C66H205-G2E00000
3	42	33.5	18.5	37.5	-	1	4.4	240	720	11.5	C66H305-G2E00000
3	42	33.5	18.5	37.5	10.2	1	4	240	720	12.0	C66H305-G2E02000
3.9	42	37	22	37.5	-	1	3.6	312	936	14.0	C66H395-G2E00000
3.9	42	37	22	37.5	10.2	1	3.1	312	936	15.0	C66H395-G2E02000
5	42	41	26	37.5	-	1	3.1	400	1200	14.0	C66H505-G2E00000
5	42	41	26	37.5	10.2	1	2.6	400	1200	17.5	C66H505-G2E02000
7	42	45	30	37.5	10.2	1.2	1.8	560	1680	23.0	C66H705-G2E02000
7	42	45	30	37.5	20.3	1.2	1.8	560	1680	23.0	C66H705-G2E05000
8	42	50	30	37.5	10.2	1.2	1.7	640	1920	23.5	C66H805-G2E02000
8	42	50	30	37.5	20.3	1.2	1.7	640	1920	23.5	C66H805-G2E05000
10	42	55	35	37.5	20.3	1.2	1.4	800	2400	25.5	C66H106-G2E05000
10	57	45	30	52.5	10.2	1.2	2.3	500	1500	23.5	C66H106-G2G02000
10	57	45	30	52.5	20.3	1.2	2.3	500	1500	23.5	C66H106-G2G05000
12	57	50	35	52.5	20.3	1.2	2	600	1800	25.0	C66H126-G2G05000
15	57	57	35	52.5	20.3	1.2	1.7	750	2250	29.5	C66H156-G2G05000
20	57	60	40	52.5	20.3	1.2	1.4	1000	3000	32.0	C66H206-G2G05000
22	57	60	45	52.5	20.3	1.2	1.3	1100	3300	32.0	C66H226-G2G05000

◆ 产品尺寸及性能参数: Product Dimension and Characteristic Data:

U <sub>T</sub> =450Vac / U <sub>NDC</sub> =800Vdc											
C (μF)	W	H	T	P	P1	d	ESR@10KHz	$\hat{I}$	$\hat{I}_s$	I <sub>RMS</sub> (A)	产品代码 Part number
							(mΩ)	(A)	(A)		
0.47	32	20	11	27.5	-	0.8	14.5	66	197	4.0	C66H474-S2B00000
0.56	32	25	11	27.5	-	0.8	12.4	78	235	5.0	C66H564-S2B00000
0.82	32	24.5	15	27.5	-	0.8	8.9	115	344	6.5	C66H824-S2B00000
1	32	28	14	27.5	-	0.8	7.5	140	420	7.0	C66H105-S2B00000
1.2	32	30	16	27.5	-	0.8	6.5	168	504	8.0	C66H125-S2B00000
1.5	32	33	18	27.5	-	0.8	5.5	210	630	9.0	C66H155-S2B00000
1.5	32	33	18	27.5	10.2	0.8	4.8	210	630	9.5	C66H155-S2B02000
2.2	32	37	22	27.5	-	0.8	4.2	308	924	10.0	C66H225-S2B00000
2.2	32	37	22	27.5	10.2	0.8	3.5	308	924	12.5	C66H225-S2B02000
1.2	42	26	15	37.5	-	1	9	102	306	7.5	C66H125-S2E00000
1.5	42	30	16	37.5	-	1	7.4	128	383	8.5	C66H155-S2E00000
2.2	42	33.5	18.5	37.5	-	1	5.3	187	561	10.5	C66H225-S2E00000
2.2	42	33.5	18.5	37.5	10.2	1	4.8	187	561	11.0	C66H225-S2E02000
3	42	37	22	37.5	-	1	4.1	255	765	13.0	C66H305-S2E00000
3	42	37	22	37.5	10.2	1	3.7	255	765	14.0	C66H305-S2E02000
4	42	41	26	37.5	-	1	3.4	340	1020	14.0	C66H405-S2E00000
4	42	41	26	37.5	10.2	1	2.9	340	1020	16.0	C66H405-S2E02000
5.5	42	45	30	37.5	10.2	1.2	2.1	468	1403	20.5	C66H555-S2E02000
5.5	42	45	30	37.5	20.3	1.2	2.1	468	1403	20.5	C66H555-S2E05000
6.5	42	50	30	37.5	10.2	1.2	1.8	553	1658	23.5	C66H655-S2E02000
6.5	42	50	30	37.5	20.3	1.2	1.8	553	1658	23.5	C66H655-S2E05000
8.2	42	55	35	37.5	20.3	1.2	1.6	697	2091	25.5	C66H825-S2E05000
8	57	45	30	52.5	10.2	1.2	2.5	440	1320	21.0	C66H805-S2G02000
8	57	45	30	52.5	20.3	1.2	2.5	440	1320	21.0	C66H805-S2G05000
10	57	50	35	52.5	20.3	1.2	2.1	550	1650	25.0	C66H106-S2G05000
12	57	57	35	52.5	20.3	1.2	1.8	660	1980	29.5	C66H126-S2G05000
15	57	60	40	52.5	20.3	1.2	1.6	825	2475	31.0	C66H156-S2G05000
18	57	60	45	52.5	20.3	1.2	1.4	990	2970	32.0	C66H186-S2G05000



# CBB66H (THB)

## CBB66H series (THB)

### ◆ 产品尺寸及性能参数: Product Dimension and Characteristic Data:

U <sub>r</sub> =500Vac / U <sub>NDC</sub> =900Vdc											
C (μF)	W	H	T	P	P1	d	ESR@10KHz	$\hat{I}$	$\hat{I}_s$	I <sub>RMS</sub> (A)	产品代码 Part number
							(mΩ)	(A)	(A)		
0.33	32	20	11	27.5	-	0.8	19	50	149	3.5	C66H334-H2B00000
0.47	32	25	11	27.5	-	0.8	13.8	71	212	4.5	C66H474-H2B00000
0.68	32	24.5	15	27.5	-	0.8	9.9	102	306	6.0	C66H684-H2B00000
0.82	32	28	14	27.5	-	0.8	8.5	123	369	6.5	C66H824-H2B00000
1	32	30	16	27.5	-	0.8	7.2	150	450	7.5	C66H105-H2B00000
1.5	32	33	18	27.5	-	0.8	5.2	225	675	9.0	C66H155-H2B00000
1.5	32	33	18	27.5	10.2	0.8	4.5	225	675	10.0	C66H155-H2B02000
2	32	37	22	27.5	-	0.8	4.3	300	900	10.0	C66H205-H2B00000
2	32	37	22	27.5	10.2	0.8	3.6	300	900	12.5	C66H205-H2B02000
1	42	26	15	37.5	-	1	9.4	100	300	7.0	C66H105-H2E00000
1.5	42	30	16	37.5	-	1	6.9	150	450	9.0	C66H155-H2E00000
2	42	33.5	18.5	37.5	-	1	5.4	200	600	10.5	C66H205-H2E00000
2	42	33.5	18.5	37.5	10.2	1	4.9	200	600	11.0	C66H205-H2E02000
2.5	42	37	22	37.5	-	1	4.5	250	750	12.5	C66H255-H2E00000
2.5	42	37	22	37.5	10.2	1	4	250	750	13.0	C66H255-H2E02000
3	42	41	26	37.5	-	1	4	300	900	14.0	C66H305-H2E00000
3	42	41	26	37.5	10.2	1	3.5	300	900	15.0	C66H305-H2E02000
3.3	42	41	26	37.5	-	1	3.7	330	990	14.0	C66H335-H2E00000
3.3	42	41	26	37.5	10.2	1	3.2	330	990	16.0	C66H335-H2E02000
4.5	42	45	30	37.5	10.2	1.2	2.3	450	1350	20.5	C66H455-H2E02000
4.5	42	45	30	37.5	20.3	1.2	2.3	450	1350	20.5	C66H455-H2E05000
5	42	50	30	37.5	10.2	1.2	2.1	500	1500	21.0	C66H505-H2E02000
5	42	50	30	37.5	20.3	1.2	2.1	500	1500	21.0	C66H505-H2E05000
6.8	42	55	35	37.5	20.3	1.2	1.7	680	2040	25.5	C66H685-H2E05000
6.5	57	45	30	52.5	10.2	1.2	2.8	390	1170	21.0	C66H655-H2G02000
6.5	57	45	30	52.5	20.3	1.2	2.8	390	1170	21.0	C66H655-H2G05000
9	57	50	35	52.5	20.3	1.2	2.1	540	1620	25.0	C66H905-H2G05000
10	57	57	35	52.5	20.3	1.2	2	600	1800	26.0	C66H106-H2G05000
12	57	60	40	52.5	20.3	1.2	1.7	720	2160	31.0	C66H126-H2G05000
15	57	60	45	52.5	20.3	1.2	1.5	900	2700	32.0	C66H156-H2G05000

◆ 产品尺寸及性能参数: Product Dimension and Characteristic Data:

U <sub>r</sub> =550Vac / U <sub>NDC</sub> =1000Vdc											
C (μF)	W	H	T	P	P1	d	ESR@10KHz	$\hat{I}$	$\hat{I}_s$	I <sub>RMS</sub> (A)	产品代码 Part number
							(mΩ)	(A)	(A)		
1	32	33	18	27.5	-	0.8	6.9	170	510	8.0	C66H105-T1B00000
1	32	33	18	27.5	10.2	0.8	6.2	170	510	8.5	C66H105-T1B02000
1.5	32	37	22	27.5	-	0.8	5	255	765	10.0	C66H155-T1B00000
1.5	32	37	22	27.5	10.2	0.8	4.3	255	765	11.0	C66H155-T1B02000
1.5	42	33.5	18.5	37.5	-	1	6.5	165	495	9.5	C66H155-T1E00000
1.5	42	33.5	18.5	37.5	10.2	1	6	165	495	10.0	C66H155-T1E02000
2	42	37	22	37.5	-	1	5.1	220	660	12.0	C66H205-T1E00000
2	42	37	22	37.5	10.2	1	4.6	220	660	12.5	C66H205-T1E02000
2.7	42	41	26	37.5	-	1	4.1	297	891	14.0	C66H275-T1E00000
2.7	42	41	26	37.5	10.2	1	3.6	297	891	15.0	C66H275-T1E02000
3.5	42	45	30	37.5	10.2	1.2	2.7	385	1155	18.5	C66H355-T1E02000
3.5	42	45	30	37.5	20.3	1.2	2.7	385	1155	18.5	C66H355-T1E05000
4	42	50	30	37.5	10.2	1.2	2.4	440	1320	19.5	C66H405-T1E02000
4	42	50	30	37.5	20.3	1.2	2.4	440	1320	19.5	C66H405-T1E05000
5.5	42	55	35	37.5	20.3	1.2	1.9	605	1815	23.0	C66H555-T1E05000
5	57	45	30	52.5	10.2	1.2	3.3	350	1050	18.5	C66H505-T1G02000
5	57	45	30	52.5	20.3	1.2	3.3	350	1050	18.5	C66H505-T1G05000
7	57	50	35	52.5	20.3	1.2	2.5	490	1470	23.0	C66H705-T1G05000
9	57	57	35	52.5	20.3	1.2	2	630	1890	26.0	C66H905-T1G05000
10	57	60	40	52.5	20.3	1.2	1.9	700	2100	27.5	C66H106-T1G05000
12	57	60	45	52.5	20.3	1.2	1.7	840	2520	32.0	C66H126-T1G05000

备注:

“-” : 客户要求的容量偏差;

ESR 值为 f=10KHz 下的典型值;

I<sub>RMS</sub> 值为 f=10KHz、T<sub>amb</sub>=85℃、散热条件 10W/m<sup>2</sup>/℃、  
ΔT<sub>case</sub>≤15℃的最大电流有效值.

“-”=custom's capacitor tolerance code, J=±5%, K=±10%;

ESR typical values at 10KHz;

I<sub>RMS</sub> is the maximum R.M.S current at 10KHz、T<sub>amb</sub>=85℃、  
ΔT<sub>case</sub>≤15℃.(Coefficient of heat dissipation: 10W/m<sup>2</sup>/℃)

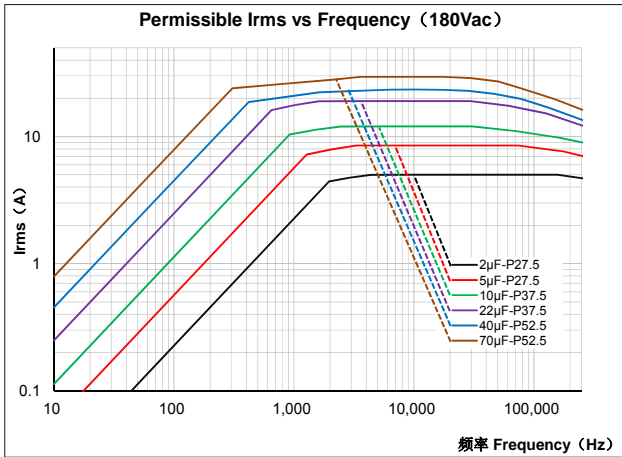


# CBB66H (THB)

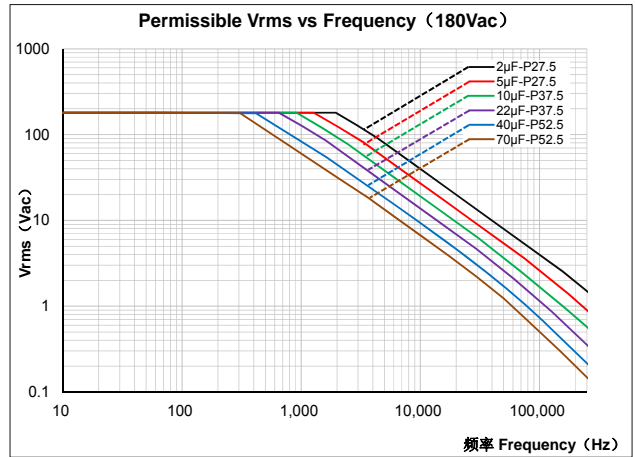
## 星 CBB66H series (THB)

### ◆有效值交流电压&电流频率曲线 Permissible Vrms & Irms vs Frequency

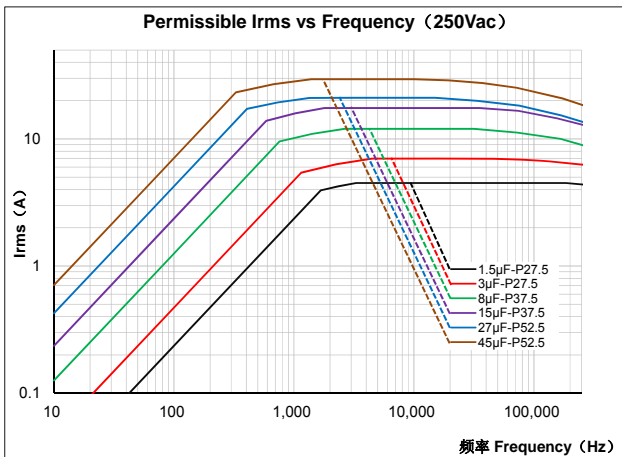
180Vac-P27.5~P52.5mm ( Irms ):



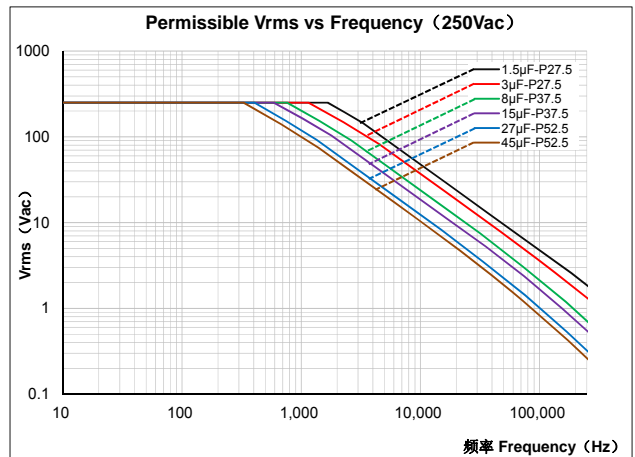
180Vac-P27.5~P52.5mm ( Vrms ):



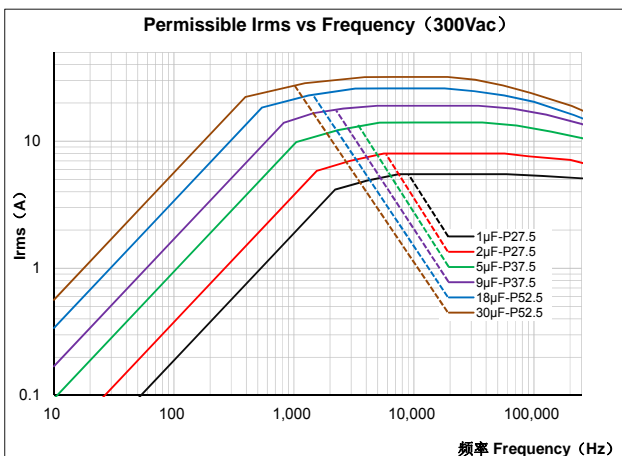
250Vac-P27.5~P52.5mm ( Irms ):



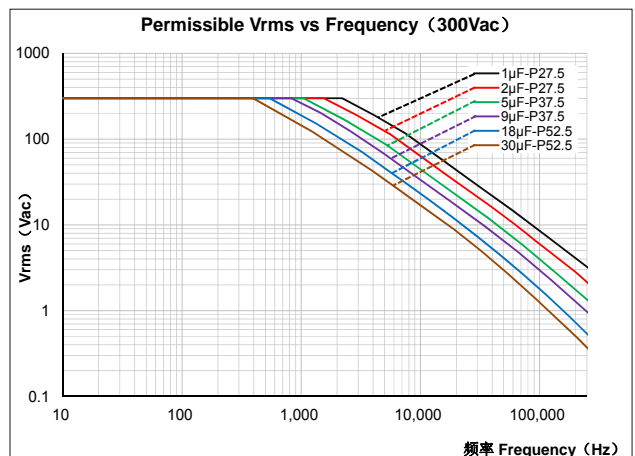
250Vac-P27.5~P52.5mm ( Vrms ):



300Vac-P27.5~P52.5mm ( Irms ):



300Vac-P27.5~P52.5mm ( Vrms ):



注:

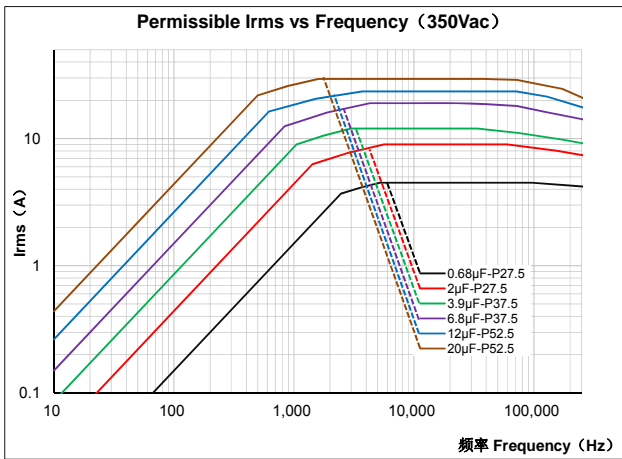
纹波电流或纹波电压值基于  $T_{amb}=85^{\circ}C$  条件下;  
产品散热系数:  $10W/m^2/^{\circ}C$ ;  
当  $f \geq 100KHz$ ,  $I_{rms}$  和  $V_{rms}$  仅供参考。

Note:

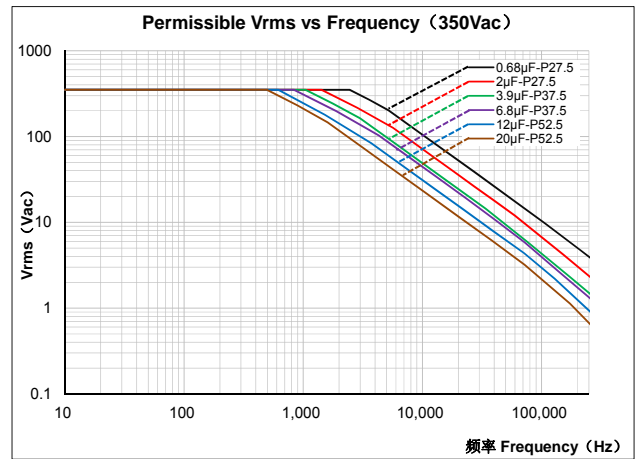
Permissible Vrms & Irms curves frequency  $f$  at  $T_{amb}=85^{\circ}C$  ;  
Coefficient of heat dissipation:  $10W/m^2/^{\circ}C$  ;  
At  $f \geq 100KHz$ ,  $I_{rms}$  &  $V_{rms}$  are only for reference.

◆有效值交流电压&电流频率曲线 Permissible Vrms & Irms vs Frequency

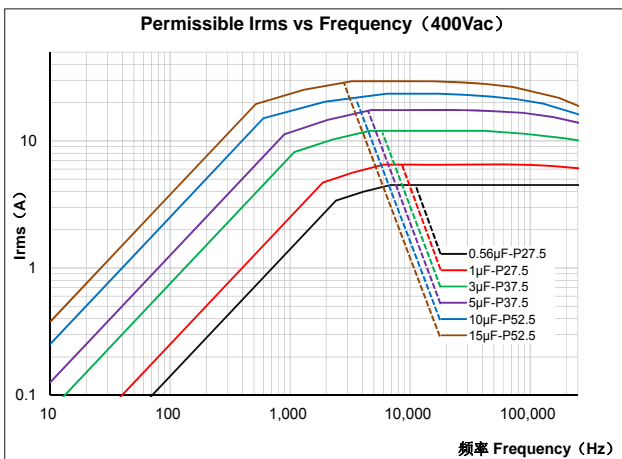
350Vac-P27.5~P52.5mm ( Irms ):



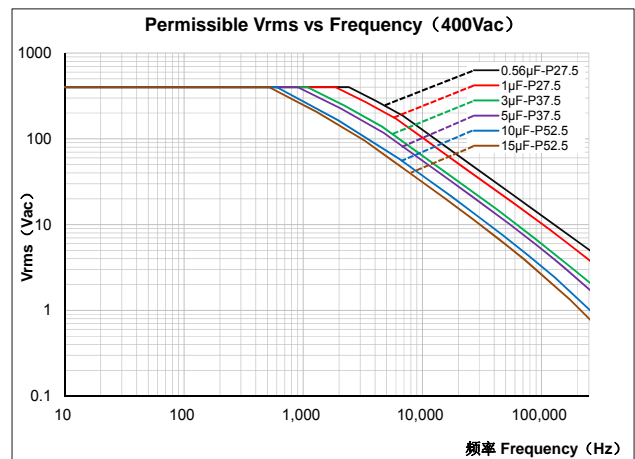
350Vac-P27.5~P52.5mm ( Vrms ):



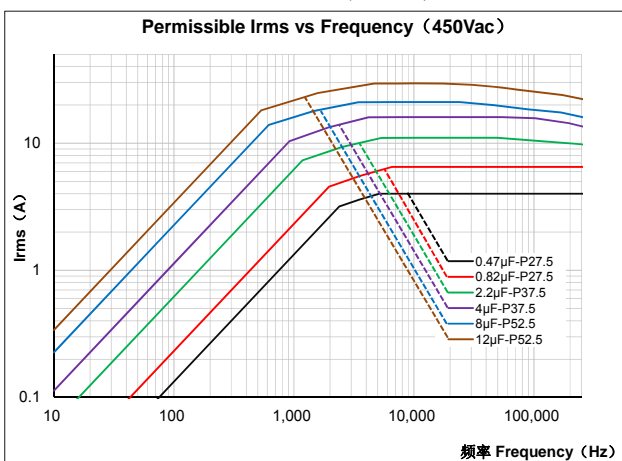
400Vac-P27.5~P52.5mm ( Irms ):



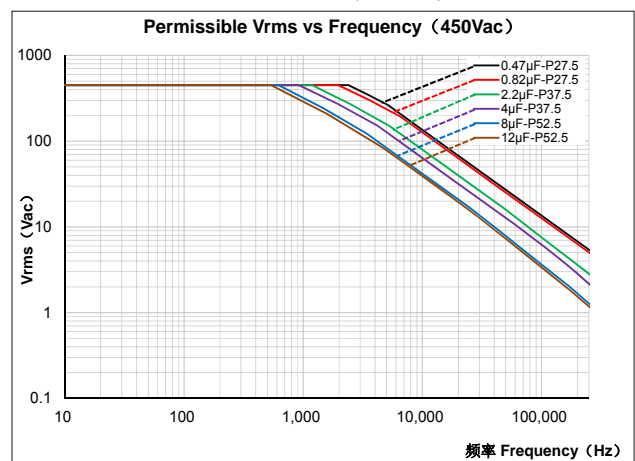
400Vac-P27.5~P52.5mm ( Vrms ):



450Vac-P27.5~P52.5mm ( Irms ):



450Vac-P27.5~P52.5mm ( Vrms ):



注：  
纹波电流或纹波电压值基于  $T_{amb}=85^{\circ}C$  条件下；  
产品散热系数： $10W/m^2/^{\circ}C$ ；  
当  $f \geq 100KHz$ ， $I_{rms}$  和  $V_{rms}$  仅供参考。

Note:  
Permissible Vrms & Irms curves frequency  $f$  at  $T_{amb}=85^{\circ}C$  ;  
Coefficient of heat dissipation:  $10W/m^2/^{\circ}C$  ;  
At  $f \geq 100KHz$  ,  $I_{rms}$  &  $V_{rms}$  are only for reference.

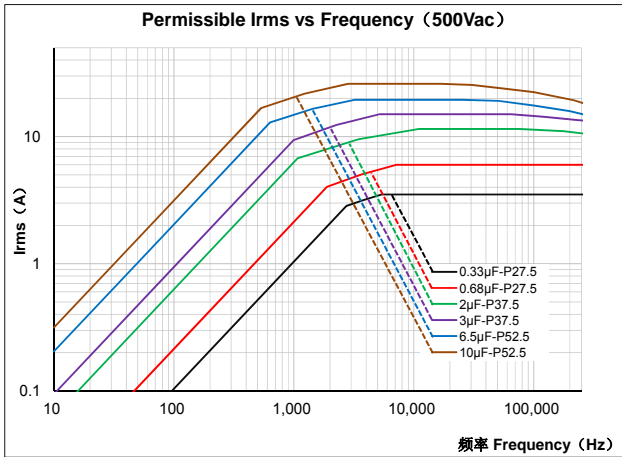


# CBB66H (THB)

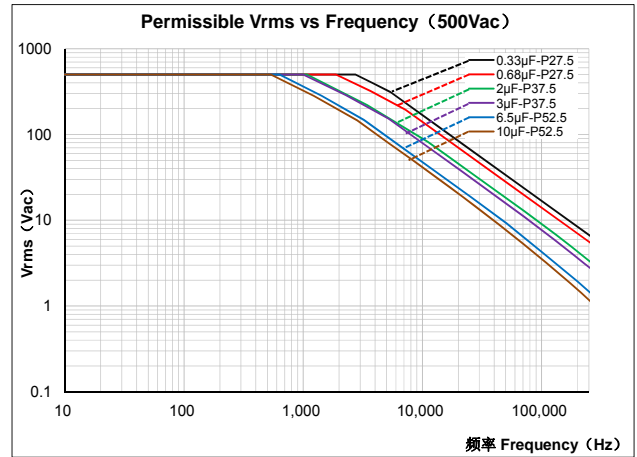
## CBB66H series (THB)

### ◆有效值交流电压&电流频率曲线 Permissible Vrms & Irms vs Frequency

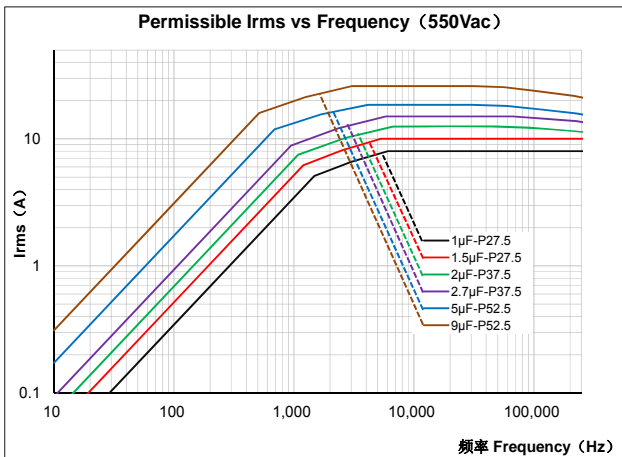
500Vac-P27.5~P52.5mm ( Irms ):



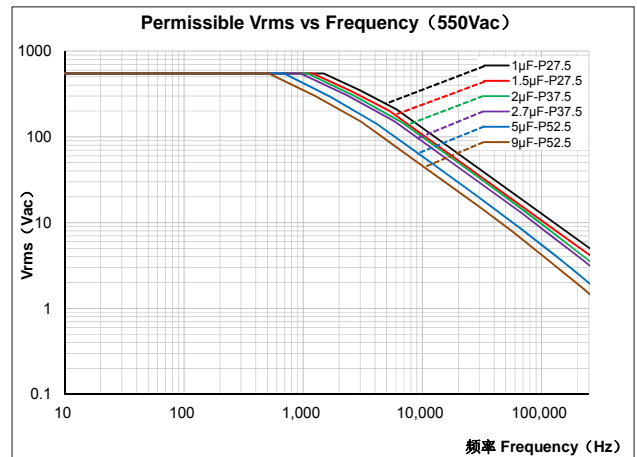
500Vac-P27.5~P52.5mm ( Vrms ):



550Vac-P27.5~P52.5mm ( Irms ):



550Vac-P27.5~P52.5mm ( Vrms ):



注:

纹波电流或纹波电压值基于  $T_{amb}=85^{\circ}C$  条件下;  
 产品散热系数:  $10W/m^2/^{\circ}C$ ;  
 当  $f \geq 100KHz$ ,  $I_{rms}$  和  $V_{rms}$  仅供参考。

Note:

Permissible Vrms & Irms curves frequency f at  $T_{amb}=85^{\circ}C$  ;  
 Coefficient of heat dissipation:  $10W/m^2/^{\circ}C$  ;  
 At  $f \geq 100KHz$ ,  $I_{rms}$  &  $V_{rms}$  are only for reference.

◆可靠性: Reliability

Test description	Reference	Test conditions	Determine criteria
极间耐压 Voltage test between terminals	IEC 61071	1.5 x U <sub>NDC</sub> at Tamb Duration: 60 s	No visible damage  ΔC/C : ≤0.5% tan δ: ≤1.2 initial tan δ+ 1×10 <sup>-4</sup> at 10KHz R <sub>ins</sub> : ≥ 50% of IR limit
耐焊接热 Resistance to soldering heat	IEC 60068-2-20	Solder bath temperature at 260°C±5°C, Immersion time: 10s±1s	No visible damage  ΔC/C : ≤0.5% Increase of tan δ: ≤ 50 ×10 <sup>-4</sup> at 10KHz
引出端强度 Robustness of terminations	IEC 60068-2-21	Wire diameter & Tensile force 0.5 < d <sub>1</sub> ≤0.8 mm 10N 0.8 < d <sub>1</sub> ≤1.25 mm 20N	No visible damage
放电实验 Surge discharge test	IEC 61071	1.1 x U <sub>NDC</sub> Number of discharges: 5(within 10 minutes)	No visible damage  ΔC/C : ≤ 1.0 % Tan δ: ≤1.2 initial tan δ+ 1×10 <sup>-4</sup> at 10KHz R <sub>ins</sub> : ≥ 50% of IR limit
温度变化 Change of temperature	IEC 60068-2-14	Tmax. =85 °C Tmin. = - 40 °C Transition time: 1 h, equivalent to 1°C/min 5 cycles	No visible damage  ΔC/C : ≤ 2.0 % Increase of tan δ: ≤ 150 ×10 <sup>-4</sup> at 10KHz R <sub>ins</sub> : ≥ 50% of IR limit
耐湿性 Damp heat steady	IEC 60068-2-78	Tmax. = 40 °C RH = 93 % Duration 56 days	No visible damage  ΔC/C : ≤ 3.0 % Increase of tan δ: ≤ 20 ×10 <sup>-4</sup> at 10KHz R <sub>ins</sub> : ≥ 50% of IR limit
耐湿负荷 Biased humidity	AEC-Q200	T =40 °C RH = 93 % at Ur Duration: 1000h	NO visible damage  ΔC/C : ≤ 5 % R <sub>ins</sub> : ≥ 200MΩ
		T =85 °C RH = 85 % at Ur Duration: 1000h	No visible damage  ΔC/C : ≤ 10.0% R <sub>ins</sub> : ≥200 MΩ
耐久性 Endurance test between terminals	IEC 61071	1.25 × Ur at Tmax. = 85 °C Duration 500 h 1000 × discharge at 1.4 × I (repetitive peak current in continuous operation) 1.25× Ur at Tmax. = 85 °C Duration 500 h	No visible damage  ΔC/C : ≤ 3 % Increase of tan δ: ≤ 150×10 <sup>-4</sup> at 10KHz R <sub>ins</sub> : ≥ 50% of IR limit
自愈性测试 Self healing test	IEC 61071	1.5 × U <sub>NDC</sub> Duration 10 sec, Number of Self healing ≤ 5, increase the voltage at 100 V/s till 5, with a max. of 2.5× U <sub>NDC</sub> for a duration of 10 sec	No visible damage  ΔC/C : ≤ 0.5 % tan δ: ≤ 1.1 initial tan δ + 1×10 <sup>-4</sup> at 10KHz
振动 Vibration	IEC60068	f=10 Hz to 55 Hz a=±0.35mm Test duration per axis = 10 frequency cycles (3 axes offset from each other by 90°) 1 octave/min, the total times are 135 min for 3axes	No visible damage





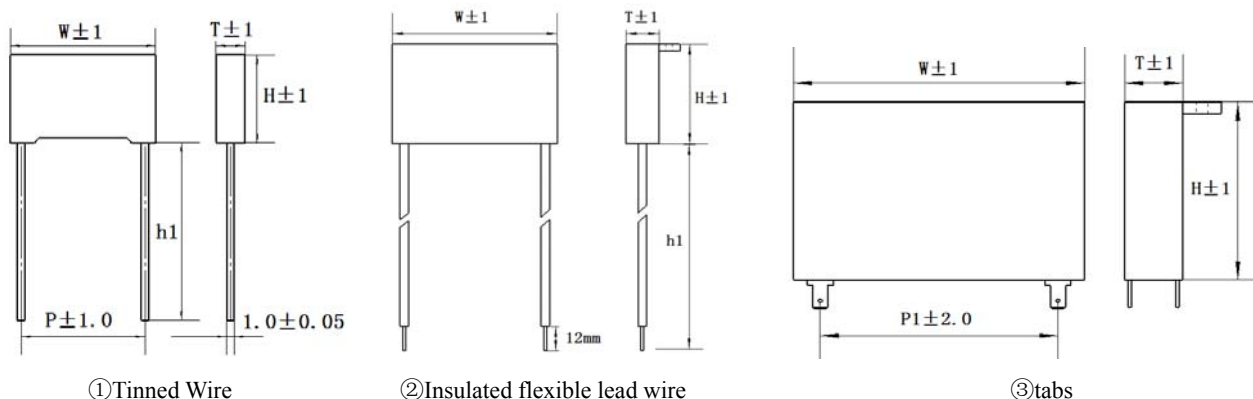
CBB61

中星 CBB61 series

## CBB61 型金属化聚丙烯薄膜交流电动机电容器（塑料外壳）

### Metallized Polypropylene Film AC Motor Capacitor (Plastic Box Type)

#### ◆ 外形尺寸图 Outline Drawing



#### ◆ 特点及用途 Application and Feature

适用于频率为 50Hz/60Hz 的交流电源供电的单相电动机启动和运转，有自愈特性，性能稳定，可靠性高，失效时呈开路，更安全。

Widely applied to starting and running of AC single-phase motors at 50Hz/60Hz frequency power. Self-healing, property, extremely stable performance and reliability, failed in open circuit mode, more safety.

#### ◆ 技术要求 Specifications

参照标准 Reference Standard	GB/T 3667.1、IEC 60252-1				
气候类别 Climatic Category	40/85/21				
额定电压 Rated Voltage	250Vac (50~60Hz)、300Vac/350Vac (50~60Hz)、450Vac (50~60Hz)、500Vac (50~60Hz)				
工作温度范围 Operation Temperature Range	-40℃~85℃				
防护等级 Degree of Protection	S0				
电容量 Capacitance Range	0.1μF~20.0μF				
电容量偏差 Capacitance Tolerance	±5%(J)、±10%(K)(20±5℃,1kHz)				
运行等级 Class of Operation	Class C				
最高运行电压/最高运行电流 Maximum Permissible Voltage/Current	1.1UN/1.3IN				
耐电压 Voltage Proof	引线之间 Between Terminals	250Vac 500Vac(2s)	300Vac/350 Vac 600Vac/700Vac(2s)	450 Vac 900Vac(2s)	500 Vac 1000Vac(2s)
	极壳之间 Between Terminals to Case	2000Vac (1min)			
绝缘电阻 Insulation Resistance	IR×C≥3 000s (20℃, 1min, 100Vdc)				
损耗角正切 Dissipation Factor	1kHz: Tan δ≤0.0020				

#### ◆ 安全认证 Safety Approval

	CQC (中国)	GB 3667.1 交流电动机用电容器 250Vac, 0.5μF~20μF, 50/60Hz, Class C, S0, Certificate No.: CQC14002120012 300/350Vac, 0.5μF~20μF, 50/60Hz, Class C, S0, Certificate No.: CQC14002120011 450/500Vac, 0.1μF~10μF, 50/60Hz, Class C, S0, Certificate No.: CQC14002120010
	UL-CUL (美国/加拿大)	UL 810, CSA C22.2, No. 190-14 Certificate No.: E477437, E469110
	TUV Rheinland (欧盟)	EN60252-1:2011+A1 A.C. motor capacitors 250Vac,50/60Hz,0.5~20 μ F, S0, SH, 40/85/21 350Vac,50/60Hz,0.5~20 μ F, S0, SH, 40/85/21 450Vac,50/60Hz,0.1~10 μ F, S0, SH, 40/85/21 500Vac,50/60Hz,0.1~10 μ F, S0, SH, 40/85/21 Certificate No.: R50419997

◆ 产品代码编写说明: Part number code system:

16 位产品代码如下: The 16 digits part number is formed as follow:

1    2    3    4    5    6    7    8    9    10   11   12   13   14   15   16

C	B	6	1												
---	---	---	---	--	--	--	--	--	--	--	--	--	--	--	--

第 1~4 位	薄膜电容器系列代码 CB61=CBB61	Digit 1~4	Series code of film capacitor CB61=CBB61
第 5~7 位	标称容量代码 举例: 103=10×10 <sup>3</sup> pF=0.01 μ F	Digit 5~7	Rated capacitance value code For example: 103=10×10 <sup>3</sup> pF=0.01 μ F
第 8 位	容量等级代码 J=±5% K=±10%	Digit 8	Capacitance tolerance code J=±5% K=±10%
第 9~10 位	交流额定电压代码 E2=250Vac F2=300Vac Q3=350Vac S2=450Vac H2=500Vac	Digit 9~10	AC rated voltage code E2=250Vac F2=300Vac Q3=350Vac S2=450Vac H2=500Vac
第 11 位	引线脚距代码 (引线式) 9=22.5 B=27.5 D=32.5 E=37.5  外壳宽度 W (插片或绝缘软引线)  1=32mm 2=37mm 3=42mm 4=47mm 5=57mm	Digit 11	Pitch code (for tinned wire) 9=22.5 B=27.5 D=32.5 E=37.5  wide of case (for tabs and insulated flexible lead wire)  1=32mm 2=37mm 3=42mm 4=47mm 5=57mm
第 12 位	内部特征码	Digit 12	Internal use
第 13~16 位	引出端代码 (见表 1)	Digit 13~16	Terminals code (Referring to table 1)

表 1 引出端代码

Table1 Terminals code

第13位 Digit13		第14~15位 Digit14~15		第 16 位 Digit16	
代码 Code	引出端形式 Terminals code	代码 Code	引出端长度 Lead length	代码 Code	引出端长度偏差 Lead length tolerance
B	镀锡引线	00	标准镀锡引线长度5.5mm 或 标准绝缘软引线长度110mm	0	镀锡引线长度公差±0.5 或 绝缘软引线长度公差±10 或 插片式
R	绝缘软引线	45	镀锡引线长度 4.5mm 或 绝缘软引线长度 450mm		
C	插片引出	11	插片AMP187#每边一个		
		12	插片AMP187#每边两个		
		21	插片AMP250#每边一个		
		22	插片AMP250#每边两个		



# CBB61

CBB61 series

◆ 产品尺寸: **Product Dimension:**

250Vac								
C ( $\mu$ F)	W	H	T	引线式 Tinned Wire		插片式 tabs	产品代码 Part number	
				P	d	P1	引线式 Tinned Wire	软引线或插片式 flexible wire or tabs
1.5	32.0	20.0	11.0	27.5	1.0	22.0	CB61155-E2BS****	CB61155-E21S****
2.0	32.0	20.0	11.0	27.5	1.0	22.0	CB61205-E2BS****	CB61205-E21S****
2.5	32.0	22.0	13.0	27.5	1.0	22.0	CB61255-E2BS****	CB61255-E21S****
3.0	32.0	25.0	13.0	27.5	1.0	22.0	CB61305-E2BS****	CB61305-E21S****
3.5	32.0	28.0	14.0	27.5	1.0	22.0	CB61355-E2BS****	CB61355-E21S****
4.0	32.0	28.0	17.0	27.5	1.0	22.0	CB61405-E2BS****	CB61405-E21S****
4.5	32.0	28.0	17.0	27.5	1.0	22.0	CB61455-E2BS****	CB61455-E21S****
5.0	32.0	28.0	17.0	27.5	1.0	22.0	CB61505-E2BS****	CB61505-E21S****
1.0	37.0	20.0	10.0	32.5	1.0	27.0	CB61105-E2DS****	CB61105-E22S****
1.5	37.0	20.0	10.0	32.5	1.0	27.0	CB61155-E2DS****	CB61155-E22S****
2.0	37.0	20.0	10.0	32.5	1.0	27.0	CB61205-E2DS****	CB61205-E22S****
2.5	37.0	22.0	11.0	32.5	1.0	27.0	CB61255-E2DS****	CB61255-E22S****
3.0	37.0	23.0	13.0	32.5	1.0	27.0	CB61305-E2DS****	CB61305-E22S****
3.5	37.0	26.0	14.0	32.5	1.0	27.0	CB61355-E2DS****	CB61355-E22S****
4.0	37.0	26.0	14.0	32.5	1.0	27.0	CB61405-E2DS****	CB61405-E22S****
4.5	37.0	28.0	14.0	32.5	1.0	27.0	CB61455-E2DS****	CB61455-E22S****
5.0	37.0	30.0	16.0	32.5	1.0	27.0	CB61505-E2DS****	CB61505-E22S****
5.5	37.0	30.0	16.0	32.5	1.0	27.0	CB61555-E2DS****	CB61555-E22S****
6.0	37.0	30.0	18.0	32.5	1.0	27.0	CB61605-E2DS****	CB61605-E22S****
6.5	37.0	30.0	18.0	32.5	1.0	27.0	CB61655-E2DS****	CB61655-E22S****
7.0	37.0	33.0	18.0	32.5	1.0	27.0	CB61705-E2DS****	CB61705-E22S****
7.5	37.0	33.0	18.0	32.5	1.0	27.0	CB61755-E2DS****	CB61755-E22S****
8.0	37.0	34.0	20.0	32.5	1.0	27.0	CB61805-E2DS****	CB61805-E22S****
8.5	37.0	34.0	20.0	32.5	1.0	27.0	CB61855-E2DS****	CB61855-E22S****
9.0	37.0	34.0	20.0	32.5	1.0	27.0	CB61905-E2DS****	CB61905-E22S****
9.5	37.0	37.0	22.0	32.5	1.0	27.0	CB61955-E2DS****	CB61955-E22S****
10.0	37.0	37.0	22.0	32.5	1.0	27.0	CB61106-E2DS****	CB61106-E22S****
2.5	42.0	24.0	13.0	37.5	1.0	32.0	CB61255-E2ES****	CB61255-E23S****
3.0	42.0	24.0	13.0	37.5	1.0	32.0	CB61305-E2ES****	CB61305-E23S****
3.5	42.0	24.0	13.0	37.5	1.0	32.0	CB61355-E2ES****	CB61355-E23S****
4.0	42.0	24.0	13.0	37.5	1.0	32.0	CB61405-E2ES****	CB61405-E23S****
4.5	42.0	25.0	14.0	37.5	1.0	32.0	CB61455-E2ES****	CB61455-E23S****
5.0	42.0	26.0	15.0	37.5	1.0	32.0	CB61505-E2ES****	CB61505-E23S****
5.5	42.0	28.0	14.0	37.5	1.0	32.0	CB61555-E2ES****	CB61555-E23S****
6.0	42.0	28.0	16.0	37.5	1.0	32.0	CB61605-E2ES****	CB61605-E23S****
6.5	42.0	30.0	18.0	37.5	1.0	32.0	CB61655-E2ES****	CB61655-E23S****
7.0	42.0	30.0	18.0	37.5	1.0	32.0	CB61705-E2ES****	CB61705-E23S****

备注:

“-” : 客户要求的容量偏差  
 “\*\*” : 引出端代码 (见表1)

“-”=custom's capacitor tolerance code, J=±5%, K=±10%  
 “\*\*”= Terminals code (refer to table1)

◆ 产品尺寸: Product Dimension:

250Vac								
C ( $\mu$ F)	W	H	T	引线式 Tinned Wire		插片式 tabs	产品代码 Part number	
				P	d	P1	引线式 Tinned Wire	软引线或插片式 flexible wire or tabs
7.5	42.0	30.0	18.0	37.5	1.0	32.0	CB61755-E2ES****	CB61755-E23S****
8.0	42.0	33.5	18.5	37.5	1.0	32.0	CB61805-E2ES****	CB61805-E23S****
8.5	42.0	33.5	18.5	37.5	1.0	32.0	CB61855-E2ES****	CB61855-E23S****
9.0	42.0	33.5	18.5	37.5	1.0	32.0	CB61905-E2ES****	CB61905-E23S****
9.5	42.0	34.0	20.0	37.5	1.0	32.0	CB61955-E2ES****	CB61955-E23S****
10.0	42.0	34.0	20.0	37.5	1.0	32.0	CB61106-E2ES****	CB61106-E23S****
11.0	42.0	37.0	22.0	37.5	1.0	32.0	CB61116-E2ES****	CB61116-E23S****
12.0	42.0	37.0	22.0	37.5	1.0	32.0	CB61126-E2ES****	CB61126-E23S****
12.5	42.0	37.0	22.0	37.5	1.0	32.0	CB6112E-E2ES****	CB6112E-E23S****
13.0	42.0	38.0	24.0	37.5	1.0	32.0	CB61136-E2ES****	CB61136-E23S****
14.0	42.0	38.0	24.0	37.5	1.0	32.0	CB61146-E2ES****	CB61146-E23S****
15.0	42.0	41.0	26.0	37.5	1.0	32.0	CB61156-E2ES****	CB61156-E23S****
17.5	42.0	43.0	28.0	37.5	1.0	32.0	CB6117E-E2ES****	CB6117E-E23S****
3.0	47.0	26.0	14.0	42.5	1.2	37.0	CB61305-E2FS****	CB61305-E24S****
3.5	47.0	26.0	14.0	42.5	1.2	37.0	CB61355-E2FS****	CB61355-E24S****
4.0	47.0	26.0	14.0	42.5	1.2	37.0	CB61405-E2FS****	CB61405-E24S****
4.5	47.0	26.0	14.0	42.5	1.2	37.0	CB61455-E2FS****	CB61455-E24S****
5.0	47.0	26.0	14.0	42.5	1.2	37.0	CB61505-E2FS****	CB61505-E24S****
5.5	47.0	28.0	16.0	42.5	1.2	37.0	CB61555-E2FS****	CB61555-E24S****
6.0	47.0	28.0	16.0	42.5	1.2	37.0	CB61605-E2FS****	CB61605-E24S****
6.5	47.0	30.0	18.0	42.5	1.2	37.0	CB61655-E2FS****	CB61655-E24S****
7.0	47.0	30.0	18.0	42.5	1.2	37.0	CB61705-E2FS****	CB61705-E24S****
7.5	47.0	30.0	18.0	42.5	1.2	37.0	CB61755-E2FS****	CB61755-E24S****
8.0	47.0	30.0	18.0	42.5	1.2	37.0	CB61805-E2FS****	CB61805-E24S****
8.5	47.0	34.0	18.0	42.5	1.2	37.0	CB61855-E2FS****	CB61855-E24S****
9.0	47.0	34.0	18.0	42.5	1.2	37.0	CB61905-E2FS****	CB61905-E24S****
9.5	47.0	34.0	18.0	42.5	1.2	37.0	CB61955-E2FS****	CB61955-E24S****
10.0	47.0	34.0	20.0	42.5	1.2	37.0	CB61106-E2FS****	CB61106-E24S****
11.0	47.0	34.0	20.0	42.5	1.2	37.0	CB61116-E2FS****	CB61116-E24S****
12.0	47.0	34.0	22.0	42.5	1.2	37.0	CB61126-E2FS****	CB61126-E24S****
12.5	47.0	36.0	24.0	42.5	1.2	37.0	CB6112E-E2FS****	CB6112E-E24S****
13.0	47.0	36.0	24.0	42.5	1.2	37.0	CB61136-E2FS****	CB61136-E24S****
14.0	47.0	36.0	24.0	42.5	1.2	37.0	CB61146-E2FS****	CB61146-E24S****
15.0	47.0	38.0	26.0	42.5	1.2	37.0	CB61156-E2FS****	CB61156-E24S****
17.5	47.0	40.0	28.0	42.5	1.2	37.0	CB6117E-E2FS****	CB6117E-E24S****
15.0	57.0	35.0	23.5	52.5	1.2	47.0	CB61156-E2GS****	CB61156-E25S****
17.5	57.0	38.0	26.0	52.5	1.2	47.0	CB6117E-E2GS****	CB6117E-E25S****
20.0	57.0	38.0	26.0	52.5	1.2	47.0	CB61206-E2GS****	CB61206-E25S****

备注:

“-” : 客户要求的容量偏差

“\*\*” : 引出端代码 (见表1)

“-”=custom's capacitor tolerance code, J=±5%, K=±10%

“\*\*”= Terminals code (refer to table1)



# CBB61

CBB61 series

◆ 产品尺寸: **Product Dimension:**

300Vac/350Vac <sup>▲</sup>								
C (μF)	W	H	T	引线式 Tinned Wire		插片式 tabs	产品代码 Part number	
				P	d	P1	引线式 Tinned Wire	软引线或插片式 flexible wire or tabs
1.0	32.0	20.0	11.0	27.5	1.0	22.0	CB61105-F2BS****	CB61105-F21S****
1.5	32.0	22.0	13.0	27.5	1.0	22.0	CB61155-F2BS****	CB61155-F21S****
2.0	32.0	22.0	13.0	27.5	1.0	22.0	CB61205-F2BS****	CB61205-F21S****
2.2	32.0	28.0	14.0	27.5	1.0	22.0	CB61225-F2BS****	CB61225-F21S****
2.5	32.0	28.0	14.0	27.5	1.0	22.0	CB61255-F2BS****	CB61255-F21S****
3.0	32.0	28.0	17.0	27.5	1.0	22.0	CB61305-F2BS****	CB61305-F21S****
3.5	32.0	28.0	17.0	27.5	1.0	22.0	CB61355-F2BS****	CB61355-F21S****
4.0	32.0	33.0	18.0	27.5	1.0	22.0	CB61405-F2BS****	CB61405-F21S****
4.5	32.0	33.0	18.0	27.5	1.0	22.0	CB61455-F2BS****	CB61455-F21S****
5.0	32.0	33.0	20.0	27.5	1.0	22.0	CB61505-F2BS****	CB61505-F21S****
1.0	37.0	20.0	10.0	32.5	1.0	27.0	CB61105-F2DS****	CB61105-F22S****
1.5	37.0	22.0	11.0	32.5	1.0	27.0	CB61155-F2DS****	CB61155-F22S****
2.0	37.0	23.0	13.0	32.5	1.0	27.0	CB61205-F2DS****	CB61205-F22S****
2.5	37.0	26.0	14.0	32.5	1.0	27.0	CB61255-F2DS****	CB61255-F22S****
3.0	37.0	28.0	14.0	32.5	1.0	27.0	CB61305-F2DS****	CB61305-F22S****
3.5	37.0	30.0	16.0	32.5	1.0	27.0	CB61355-F2DS****	CB61355-F22S****
4.0	37.0	30.0	16.0	32.5	1.0	27.0	CB61405-F2DS****	CB61405-F22S****
4.5	37.0	30.0	18.0	32.5	1.0	27.0	CB61455-F2DS****	CB61455-F22S****
5.0	37.0	33.0	18.0	32.5	1.0	27.0	CB61505-F2DS****	CB61505-F22S****
5.5	37.0	34.0	20.0	32.5	1.0	27.0	CB61555-F2DS****	CB61555-F22S****
6.0	37.0	34.0	20.0	32.5	1.0	27.0	CB61605-F2DS****	CB61605-F22S****
6.5	37.0	37.0	22.0	32.5	1.0	27.0	CB61655-F2DS****	CB61655-F22S****
7.0	37.0	37.0	22.0	32.5	1.0	27.0	CB61705-F2DS****	CB61705-F22S****
7.5	37.0	37.0	22.0	32.5	1.0	27.0	CB61755-F2DS****	CB61755-F22S****
8.0	37.0	38.0	24.0	32.5	1.0	27.0	CB61805-F2DS****	CB61805-F22S****
8.5	37.0	38.0	24.0	32.5	1.0	27.0	CB61855-F2DS****	CB61855-F22S****
9.0	37.0	41.0	26.0	32.5	1.0	27.0	CB61905-F2DS****	CB61905-F22S****
2.5	42.0	24.0	13.0	37.5	1.0	32.0	CB61255-F2ES****	CB61255-F23S****
3.0	42.0	25.0	14.0	37.5	1.0	32.0	CB61305-F2ES****	CB61305-F23S****
3.5	42.0	26.0	15.0	37.5	1.0	32.0	CB61355-F2ES****	CB61355-F23S****
4.0	42.0	28.0	16.0	37.5	1.0	32.0	CB61405-F2ES****	CB61405-F23S****
4.5	42.0	30.0	18.0	37.5	1.0	32.0	CB61455-F2ES****	CB61455-F23S****
5.0	42.0	30.0	18.0	37.5	1.0	32.0	CB61505-F2ES****	CB61505-F23S****
5.5	42.0	33.5	18.5	37.5	1.0	32.0	CB61555-F2ES****	CB61555-F23S****
6.0	42.0	33.5	18.5	37.5	1.0	32.0	CB61605-F2ES****	CB61605-F23S****
6.5	42.0	34.0	20.0	37.5	1.0	32.0	CB61655-F2ES****	CB61655-F23S****
7.0	42.0	37.0	22.0	37.5	1.0	32.0	CB61705-F2ES****	CB61705-F23S****

备注:

“-” : 客户要求的容量偏差

“\*\*” : 引出端代码 (见表1)

“▲” : 当额定电压为 350Vac 时, 第 9~10 位为 Q3

“-”=custom's capacitor tolerance code, J=±5%, K=±10%

“\*\*”= Terminals code (refer to table1)

“▲”=when the rated voltage is 350Vac, the digit 9~10 is Q3

◆ 产品尺寸: Product Dimension:

300Vac/350Vac <sup>▲</sup>								
C ( $\mu$ F)	W	H	T	引线式 Tinned Wire		插片式 tabs	产品代码 Part number	
				P	d	P1	引线式 Tinned Wire	软引线或插片式 flexible wire or tabs
7.5	42.0	37.0	22.0	37.5	1.0	32.0	CB61755-F2ES****	CB61755-F23S****
8.0	42.0	37.0	22.0	37.5	1.0	32.0	CB61805-F2ES****	CB61805-F23S****
8.5	42.0	37.0	22.0	37.5	1.0	32.0	CB61855-F2ES****	CB61855-F23S****
9.0	42.0	38.0	24.0	37.5	1.0	32.0	CB61905-F2ES****	CB61905-F23S****
9.5	42.0	38.0	24.0	37.5	1.0	32.0	CB61955-F2ES****	CB61955-F23S****
10.0	42.0	38.0	24.0	37.5	1.0	32.0	CB61106-F2ES****	CB61106-F23S****
11.0	42.0	41.0	26.0	37.5	1.0	32.0	CB61116-F2ES****	CB61116-F23S****
12.0	42.0	41.0	26.0	37.5	1.0	32.0	CB61126-F2ES****	CB61126-F23S****
12.5	42.0	43.0	28.0	37.5	1.0	32.0	CB6112E-F2ES****	CB6112E-F23S****
13.0	42.0	43.0	28.0	37.5	1.0	32.0	CB61136-F2ES****	CB61136-F23S****
14.0	42.0	45.0	30.0	37.5	1.0	32.0	CB61146-F2ES****	CB61146-F23S****
15.0	42.0	45.0	30.0	37.5	1.0	32.0	CB61156-F2ES****	CB61156-F23S****
17.5	42.0	48.0	35.0	37.5	1.0	32.0	CB6117E-F2ES****	CB6117E-F23S****
3.0	47.0	26.0	14.0	42.5	1.0	37.0	CB61305-F2FS****	CB61305-F24S****
3.5	47.0	26.0	14.0	42.5	1.0	37.0	CB61355-F2FS****	CB61355-F24S****
4.0	47.0	28.0	16.0	42.5	1.0	37.0	CB61405-F2FS****	CB61405-F24S****
4.5	47.0	28.0	16.0	42.5	1.0	37.0	CB61455-F2FS****	CB61455-F24S****
5.0	47.0	30.0	18.0	42.5	1.0	37.0	CB61505-F2FS****	CB61505-F24S****
5.5	47.0	30.0	18.0	42.5	1.0	37.0	CB61555-F2FS****	CB61555-F24S****
6.0	47.0	34.0	18.0	42.5	1.0	37.0	CB61605-F2FS****	CB61605-F24S****
6.5	47.0	34.0	20.0	42.5	1.0	37.0	CB61655-F2FS****	CB61655-F24S****
7.0	47.0	34.0	20.0	42.5	1.0	37.0	CB61705-F2FS****	CB61705-F24S****
7.5	47.0	34.0	20.0	42.5	1.0	37.0	CB61755-F2FS****	CB61755-F24S****
8.0	47.0	34.0	22.0	42.5	1.0	37.0	CB61805-F2FS****	CB61805-F24S****
8.5	47.0	34.0	22.0	42.5	1.0	37.0	CB61855-F2FS****	CB61855-F24S****
9.0	47.0	36.0	24.0	42.5	1.0	37.0	CB61905-F2FS****	CB61905-F24S****
9.5	47.0	36.0	24.0	42.5	1.0	37.0	CB61955-F2FS****	CB61955-F24S****
10.0	47.0	38.0	26.0	42.5	1.0	37.0	CB61106-F2FS****	CB61106-F24S****
11.0	47.0	38.0	26.0	42.5	1.0	37.0	CB61116-F2FS****	CB61116-F24S****
12.0	47.0	40.0	28.0	42.5	1.0	37.0	CB61126-F2FS****	CB61126-F24S****
12.5	47.0	40.0	28.0	42.5	1.0	37.0	CB6112E-F2FS****	CB6112E-F24S****
13.0	47.0	40.0	28.0	42.5	1.0	37.0	CB61136-F2FS****	CB61136-F24S****
14.0	47.0	44.0	30.0	42.5	1.0	37.0	CB61146-F2FS****	CB61146-F24S****
15.0	47.0	44.0	30.0	42.5	1.0	37.0	CB61156-F2FS****	CB61156-F24S****
17.5	47.0	46.0	32.0	42.5	1.0	37.0	CB6117E-F2FS****	CB6117E-F24S****
15.0	57.0	40.0	28.0	52.5	1.0	47.0	CB61156-F2GS****	CB61156-F25S****
17.5	57.0	44.0	30.0	52.5	1.0	47.0	CB6117E-F2GS****	CB6117E-F25S****
20.0	57.0	44.0	30.0	52.5	1.0	47.0	CB61206-F2GS****	CB61206-F25S****

备注:

“-” : 客户要求的容量偏差

“\*\*” : 引出端代码 (见表 1)

“▲”: 当额定电压为 350Vac 时, 第 9~10 位为 Q3

“-”=custom's capacitor tolerance code, J=±5%, K=±10%

“\*\*”= Terminals code (refer to table1)

“▲”=when the rated voltage is 350Vac, the digit 9~10 is Q3



# CBB61

CBB61 series

◆ 产品尺寸: **Product Dimension:**

450Vac								
C ( $\mu$ F)	W	H	T	引线式		插片式	产品代码	
				Tinned Wire		tabs	Part number	
				P	d	P1	引线式 Tinned Wire	软引线或插片式 flexible wire or tabs
0.1	26.5	16.0	7.0	22.5	0.8	/	CB61104-S29S****	/
0.12	26.5	16.0	7.0	22.5	0.8	/	CB61124-S29S****	/
0.15	26.5	17.0	8.5	22.5	0.8	/	CB61154-S29S****	/
0.18	26.5	17.0	8.5	22.5	0.8	/	CB61184-S29S****	/
0.22	26.5	18.5	10.0	22.5	0.8	/	CB61224-S29S****	/
0.27	26.5	20.0	11.0	22.5	0.8	/	CB61274-S29S****	/
0.33	26.5	22.0	12.0	22.5	0.8	/	CB61334-S29S****	/
0.5	32.0	20.0	11.0	27.5	1.0	22.0	CB61504-S2BS****	CB61504-S21S****
1.0	32.0	20.0	11.0	27.5	1.0	22.0	CB61105-S2BS****	CB61105-S21S****
1.2	32.0	22.0	13.0	27.5	1.0	22.0	CB61125-S2BS****	CB61125-S21S****
1.4	32.0	25.0	13.0	27.5	1.0	22.0	CB61145-S2BS****	CB61145-S21S****
1.5	32.0	25.0	13.0	27.5	1.0	22.0	CB61155-S2BS****	CB61155-S21S****
1.6	32.0	25.0	13.0	27.5	1.0	22.0	CB61165-S2BS****	CB61165-S21S****
1.8	32.0	28.0	14.0	27.5	1.0	22.0	CB61185-S2BS****	CB61185-S21S****
2.0	32.0	28.0	14.0	27.5	1.0	22.0	CB61205-S2BS****	CB61205-S21S****
2.2	32.0	28.0	17.0	27.5	1.0	22.0	CB61225-S2BS****	CB61225-S21S****
2.5	32.0	28.0	17.0	27.5	1.0	22.0	CB61255-S2BS****	CB61255-S21S****
2.7	32.0	28.0	17.0	27.5	1.0	22.0	CB61275-S2BS****	CB61275-S21S****
3.0	32.0	33.0	18.0	27.5	1.0	22.0	CB61305-S2BS****	CB61305-S21S****
3.3	32.0	33.0	18.0	27.5	1.0	22.0	CB61335-S2BS****	CB61335-S21S****
3.5	32.0	33.0	20.0	27.5	1.0	22.0	CB61355-S2BS****	CB61355-S21S****
4.0	32.0	37.0	22.0	27.5	1.0	22.0	CB61405-S2BS****	CB61405-S21S****
1.0	37.0	20.0	10.0	32.5	1.0	27.0	CB61105-S2DS****	CB61105-S22S****
1.2	37.0	22.0	11.0	32.5	1.0	27.0	CB61125-S2DS****	CB61125-S22S****
1.5	37.0	23.0	13.0	32.5	1.0	27.0	CB61155-S2DS****	CB61155-S22S****
1.6	37.0	23.0	13.0	32.5	1.0	27.0	CB61165-S2DS****	CB61165-S22S****
1.8	37.0	23.0	13.0	32.5	1.0	27.0	CB61185-S2DS****	CB61185-S22S****
2.0	37.0	26.0	14.0	32.5	1.0	27.0	CB61205-S2DS****	CB61205-S22S****
2.2	37.0	26.0	14.0	32.5	1.0	27.0	CB61225-S2DS****	CB61225-S22S****
2.5	37.0	28.0	14.0	32.5	1.0	27.0	CB61255-S2DS****	CB61255-S22S****
2.7	37.0	30.0	16.0	32.5	1.0	27.0	CB61275-S2DS****	CB61275-S22S****
3.0	37.0	30.0	16.0	32.5	1.0	27.0	CB61305-S2DS****	CB61305-S22S****
3.3	37.0	30.0	18.0	32.5	1.0	27.0	CB61335-S2DS****	CB61335-S22S****
3.5	37.0	30.0	18.0	32.5	1.0	27.0	CB61355-S2DS****	CB61355-S22S****
4.0	37.0	33.0	18.0	32.5	1.0	27.0	CB61405-S2DS****	CB61405-S22S****
4.5	37.0	34.0	20.0	32.5	1.0	27.0	CB61455-S2DS****	CB61455-S22S****
5.0	37.0	34.0	20.0	32.5	1.0	27.0	CB61505-S2DS****	CB61505-S22S****
5.5	37.0	37.0	22.0	32.5	1.0	27.0	CB61555-S2DS****	CB61555-S22S****
6.0	37.0	37.0	22.0	32.5	1.0	27.0	CB61605-S2DS****	CB61605-S22S****
6.3	37.0	38.0	24.0	32.5	1.0	27.0	CB61635-S2DS****	CB61635-S22S****
6.5	37.0	38.0	24.0	32.5	1.0	27.0	CB61655-S2DS****	CB61655-S22S****
7.0	37.0	38.0	24.0	32.5	1.0	27.0	CB61705-S2DS****	CB61705-S22S****
7.5	37.0	41.0	26.0	32.5	1.0	27.0	CB61755-S2DS****	CB61755-S22S****
8.0	37.0	41.0	26.0	32.5	1.0	27.0	CB61805-S2DS****	CB61805-S22S****

备注:

“-” : 客户要求的容量偏差

“\*\*” : 引出端代码 (见表1)

“-”=custom's capacitor tolerance code, J=±5%, K=±10%

“\*\*”= Terminals code (refer to table1)



◆ 产品尺寸: Product Dimension:

450Vac								
C ( $\mu$ F)	W	H	T	引线式 Tinned Wire		插片式 tabs	产品代码 Part number	
				P	d	P1	引线式 Tinned Wire	软引线或插片式 flexible wire or tabs
2.0	42.0	24.0	13.0	37.5	1.0	32.0	CB61205-S2ES****	CB61205-S23S****
2.2	42.0	25.0	14.0	37.5	1.0	32.0	CB61225-S2ES****	CB61225-S23S****
2.5	42.0	25.0	14.0	37.5	1.0	32.0	CB61255-S2ES****	CB61255-S23S****
2.7	42.0	26.0	15.0	37.5	1.0	32.0	CB61275-S2ES****	CB61275-S23S****
3.0	42.0	26.0	15.0	37.5	1.0	32.0	CB61305-S2ES****	CB61305-S23S****
3.3	42.0	28.0	16.0	37.5	1.0	32.0	CB61335-S2ES****	CB61335-S23S****
3.5	42.0	28.0	16.0	37.5	1.0	32.0	CB61355-S2ES****	CB61355-S23S****
4.0	42.0	30.0	18.0	37.5	1.0	32.0	CB61405-S2ES****	CB61405-S23S****
4.5	42.0	33.5	18.5	37.5	1.0	32.0	CB61455-S2ES****	CB61455-S23S****
5.0	42.0	33.5	18.5	37.5	1.0	32.0	CB61505-S2ES****	CB61505-S23S****
5.5	42.0	34.0	20.0	37.5	1.0	32.0	CB61555-S2ES****	CB61555-S23S****
6.0	42.0	34.0	20.0	37.5	1.0	32.0	CB61605-S2ES****	CB61605-S23S****
6.3	42.0	37.0	22.0	37.5	1.0	32.0	CB61635-S2ES****	CB61635-S23S****
6.5	42.0	37.0	22.0	37.5	1.0	32.0	CB61655-S2ES****	CB61655-S23S****
7.0	42.0	38.0	24.0	37.5	1.0	32.0	CB61705-S2ES****	CB61705-S23S****
7.5	42.0	38.0	24.0	37.5	1.0	32.0	CB61755-S2ES****	CB61755-S23S****
8.0	42.0	38.0	24.0	37.5	1.0	32.0	CB61805-S2ES****	CB61805-S23S****
8.5	42.0	41.0	26.0	37.5	1.0	32.0	CB61855-S2ES****	CB61855-S23S****
9.0	42.0	43.0	28.0	37.5	1.0	32.0	CB61905-S2ES****	CB61905-S23S****
9.5	42.0	43.0	28.0	37.5	1.0	32.0	CB61955-S2ES****	CB61955-S23S****
10.0	42.0	45.0	30.0	37.5	1.0	32.0	CB61106-S2ES****	CB61106-S23S****
2.0	47.0	26.0	14.0	42.5	1.2	37.0	CB61205-S2FS****	CB61205-S24S****
2.5	47.0	26.0	14.0	42.5	1.2	37.0	CB61255-S2FS****	CB61255-S24S****
3.0	47.0	26.0	14.0	42.5	1.2	37.0	CB61305-S2FS****	CB61305-S24S****
3.5	47.0	28.0	16.0	42.5	1.2	37.0	CB61355-S2FS****	CB61355-S24S****
4.0	47.0	30.0	18.0	42.5	1.2	37.0	CB61405-S2FS****	CB61405-S24S****
4.5	47.0	30.0	18.0	42.5	1.2	37.0	CB61455-S2FS****	CB61455-S24S****
5.0	47.0	34.0	18.0	42.5	1.2	37.0	CB61505-S2FS****	CB61505-S24S****
5.5	47.0	34.0	20.0	42.5	1.2	37.0	CB61555-S2FS****	CB61555-S24S****
6.0	47.0	34.0	20.0	42.5	1.2	37.0	CB61605-S2FS****	CB61605-S24S****
6.5	47.0	34.0	22.0	42.5	1.2	37.0	CB61655-S2FS****	CB61655-S24S****
7.0	47.0	34.0	22.0	42.5	1.2	37.0	CB61705-S2FS****	CB61705-S24S****
7.5	47.0	36.0	24.0	42.5	1.2	37.0	CB61755-S2FS****	CB61755-S24S****
8.0	47.0	36.0	24.0	42.5	1.2	37.0	CB61805-S2FS****	CB61805-S24S****
8.5	47.0	36.0	24.0	42.5	1.2	37.0	CB61855-S2FS****	CB61855-S24S****
9.0	47.0	38.0	26.0	42.5	1.2	37.0	CB61905-S2FS****	CB61905-S24S****
9.5	47.0	38.0	26.0	42.5	1.2	37.0	CB61955-S2FS****	CB61955-S24S****
10.0	47.0	38.0	26.0	42.5	1.2	37.0	CB61106-S2FS****	CB61106-S24S****
8.0	57.0	35.0	23.5	52.5	1.2	47.0	CB61805-S2GS****	CB61805-S25S****
10.0	57.0	38.0	26.0	52.5	1.2	47.0	CB61106-S2GS****	CB61106-S25S****

备注:

“-” : 客户要求的容量偏差

“\*\*” : 引出端代码 (见表1)

“-”=custom's capacitor tolerance code, J=±5%, K=±10%

“\*\*”= Terminals code (refer to table1)





# CBB61

CBB61 series

◆ 产品尺寸: **Product Dimension:**

500Vac								
C ( $\mu$ F)	W	H	T	引线式		插片式	产品代码	
				Tinned Wire		tabs	Part number	
				P	d	P1	引线式 Tinned Wire	软引线或插片式 flexible wire or tabs
0.1	26.5	16.0	7.0	22.5	0.8	/	CB61104-H29S****	/
0.12	26.5	16.0	7.0	22.5	0.8	/	CB61124-H29S****	/
0.15	26.5	17.0	8.5	22.5	0.8	/	CB61154-H29S****	/
0.18	26.5	17.0	8.5	22.5	0.8	/	CB61184-H29S****	/
0.22	26.5	18.5	10.0	22.5	0.8	/	CB61224-H29S****	/
0.27	26.5	20.0	11.0	22.5	0.8	/	CB61274-H29S****	/
0.33	26.5	22.0	12.0	22.5	0.8	/	CB61334-H29S****	/
0.5	32.0	20.0	11.0	27.5	1.0	22.0	CB61504-H2BS****	CB61504-H21S****
1.0	32.0	22.0	13.0	27.5	1.0	22.0	CB61105-H2BS****	CB61105-H21S****
1.2	32.0	25.0	13.0	27.5	1.0	22.0	CB61125-H2BS****	CB61125-H21S****
1.4	32.0	25.0	13.0	27.5	1.0	22.0	CB61145-H2BS****	CB61145-H21S****
1.5	32.0	28.0	14.0	27.5	1.0	22.0	CB61155-H2BS****	CB61155-H21S****
1.6	32.0	28.0	14.0	27.5	1.0	22.0	CB61165-H2BS****	CB61165-H21S****
1.8	32.0	28.0	14.0	27.5	1.0	22.0	CB61185-H2BS****	CB61185-H21S****
2.0	32.0	28.0	17.0	27.5	1.0	22.0	CB61205-H2BS****	CB61205-H21S****
2.2	32.0	30.0	18.0	27.5	1.0	22.0	CB61225-H2BS****	CB61225-H21S****
2.5	32.0	33.0	18.0	27.5	1.0	22.0	CB61255-H2BS****	CB61255-H21S****
2.7	32.0	33.0	18.0	27.5	1.0	22.0	CB61275-H2BS****	CB61275-H21S****
3.0	32.0	33.0	20.0	27.5	1.0	22.0	CB61305-H2BS****	CB61305-H21S****
3.3	32.0	37.0	22.0	27.5	1.0	22.0	CB61335-H2BS****	CB61335-H21S****
3.5	32.0	37.0	22.0	27.5	1.0	22.0	CB61355-H2BS****	CB61355-H21S****
4.0	32.0	37.0	22.0	27.5	1.0	22.0	CB61405-H2BS****	CB61405-H21S****
1.0	37.0	22.0	11.0	32.5	1.0	27.0	CB61105-H2DS****	CB61105-H22S****
1.2	37.0	22.0	11.0	32.5	1.0	27.0	CB61125-H2DS****	CB61125-H22S****
1.5	37.0	23.0	13.0	32.5	1.0	27.0	CB61155-H2DS****	CB61155-H22S****
1.6	37.0	23.0	13.0	32.5	1.0	27.0	CB61165-H2DS****	CB61165-H22S****
1.8	37.0	26.0	14.0	32.5	1.0	27.0	CB61185-H2DS****	CB61185-H22S****
2.0	37.0	28.0	14.0	32.5	1.0	27.0	CB61205-H2DS****	CB61205-H22S****
2.2	37.0	30.0	16.0	32.5	1.0	27.0	CB61225-H2DS****	CB61225-H22S****
2.5	37.0	30.0	16.0	32.5	1.0	27.0	CB61255-H2DS****	CB61255-H22S****
2.7	37.0	30.0	18.0	32.5	1.0	27.0	CB61275-H2DS****	CB61275-H22S****
3.0	37.0	30.0	18.0	32.5	1.0	27.0	CB61305-H2DS****	CB61305-H22S****
3.3	37.0	33.0	18.0	32.5	1.0	27.0	CB61335-H2DS****	CB61335-H22S****
3.5	37.0	33.0	18.0	32.5	1.0	27.0	CB61355-H2DS****	CB61355-H22S****
4.0	37.0	34.0	20.0	32.5	1.0	27.0	CB61405-H2DS****	CB61405-H22S****
4.5	37.0	37.0	22.0	32.5	1.0	27.0	CB61455-H2DS****	CB61455-H22S****
5.0	37.0	37.0	22.0	32.5	1.0	27.0	CB61505-H2DS****	CB61505-H22S****
5.5	37.0	38.0	24.0	32.5	1.0	27.0	CB61555-H2DS****	CB61555-H22S****
6.0	37.0	38.0	24.0	32.5	1.0	27.0	CB61605-H2DS****	CB61605-H22S****
6.3	37.0	41.0	26.0	32.5	1.0	27.0	CB61635-H2DS****	CB61635-H22S****
6.5	37.0	41.0	26.0	32.5	1.0	27.0	CB61655-H2DS****	CB61655-H22S****
7.0	37.0	41.0	26.0	32.5	1.0	27.0	CB61705-H2DS****	CB61705-H22S****
7.5	37.0	45.0	30.0	32.5	1.0	27.0	CB61755-H2DS****	CB61755-H22S****
8.0	37.0	45.0	30.0	32.5	1.0	27.0	CB61805-H2DS****	CB61805-H22S****
8.5	37.0	45.0	30.0	32.5	1.0	27.0	CB61855-H2DS****	CB61855-H22S****

备注:

“-” : 客户要求的容量偏差

“\*\*” : 引出端代码 (见表1)

“-”=custom's capacitor tolerance code, J=±5%, K=±10%

“\*\*”= Terminals code (refer to table1)

◆ 产品尺寸: Product Dimension:

500Vac								
C ( $\mu$ F)	W	H	T	引线式 Tinned Wire		插片式 tabs	产品代码 Part number	
				P	d	P1	引线式 Tinned Wire	软引线或插片式 flexible wire or tabs
2.0	42.0	25.0	14.0	37.5	1.0	32.0	CB61205-H2ES****	CB61205-H23S****
2.2	42.0	25.0	14.0	37.5	1.0	32.0	CB61225-H2ES****	CB61225-H23S****
2.5	42.0	26.0	15.0	37.5	1.0	32.0	CB61255-H2ES****	CB61255-H23S****
2.7	42.0	28.0	16.0	37.5	1.0	32.0	CB61275-H2ES****	CB61275-H23S****
3.0	42.0	30.0	18.0	37.5	1.0	32.0	CB61305-H2ES****	CB61305-H23S****
3.3	42.0	30.0	18.0	37.5	1.0	32.0	CB61335-H2ES****	CB61335-H23S****
3.5	42.0	30.0	18.0	37.5	1.0	32.0	CB61355-H2ES****	CB61355-H23S****
4.0	42.0	33.5	18.5	37.5	1.0	32.0	CB61405-H2ES****	CB61405-H23S****
4.5	42.0	34.0	20.0	37.5	1.0	32.0	CB61455-H2ES****	CB61455-H23S****
5.0	42.0	34.0	20.0	37.5	1.0	32.0	CB61505-H2ES****	CB61505-H23S****
5.5	42.0	37.0	22.0	37.5	1.0	32.0	CB61555-H2ES****	CB61555-H23S****
6.0	42.0	37.0	22.0	37.5	1.0	32.0	CB61605-H2ES****	CB61605-H23S****
6.3	42.0	38.0	24.0	37.5	1.0	32.0	CB61635-H2ES****	CB61635-H23S****
6.5	42.0	38.0	24.0	37.5	1.0	32.0	CB61655-H2ES****	CB61655-H23S****
7.0	42.0	41.0	26.0	37.5	1.0	32.0	CB61705-H2ES****	CB61705-H23S****
7.5	42.0	41.0	26.0	37.5	1.0	32.0	CB61755-H2ES****	CB61755-H23S****
8.0	42.0	43.0	28.0	37.5	1.0	32.0	CB61805-H2ES****	CB61805-H23S****
8.5	42.0	43.0	28.0	37.5	1.0	32.0	CB61855-H2ES****	CB61855-H23S****
9.0	42.0	43.0	28.0	37.5	1.0	32.0	CB61905-H2ES****	CB61905-H23S****
9.5	42.0	45.0	30.0	37.5	1.0	32.0	CB61955-H2ES****	CB61955-H23S****
10.0	42.0	46.0	32.0	37.5	1.0	32.0	CB61106-H2ES****	CB61106-H23S****
2.0	47.0	26.0	14.0	42.5	1.0	37.0	CB61205-H2FS****	CB61205-H24S****
2.5	47.0	26.0	14.0	42.5	1.0	37.0	CB61255-H2FS****	CB61255-H24S****
3.0	47.0	28.0	16.0	42.5	1.0	37.0	CB61305-H2FS****	CB61305-H24S****
3.5	47.0	30.0	18.0	42.5	1.0	37.0	CB61355-H2FS****	CB61355-H24S****
4.0	47.0	30.0	18.0	42.5	1.0	37.0	CB61405-H2FS****	CB61405-H24S****
4.5	47.0	30.0	18.0	42.5	1.0	37.0	CB61455-H2FS****	CB61455-H24S****
5.0	47.0	34.0	20.0	42.5	1.0	37.0	CB61505-H2FS****	CB61505-H24S****
5.5	47.0	34.0	22.0	42.5	1.0	37.0	CB61555-H2FS****	CB61555-H24S****
6.0	47.0	34.0	22.0	42.5	1.0	37.0	CB61605-H2FS****	CB61605-H24S****
6.5	47.0	36.0	24.0	42.5	1.0	37.0	CB61655-H2FS****	CB61655-H24S****
7.0	47.0	38.0	26.0	42.5	1.0	37.0	CB61705-H2FS****	CB61705-H24S****
7.5	47.0	38.0	26.0	42.5	1.0	37.0	CB61755-H2FS****	CB61755-H24S****
8.0	47.0	38.0	26.0	42.5	1.0	37.0	CB61805-H2FS****	CB61805-H24S****
8.5	47.0	40.0	28.0	42.5	1.0	37.0	CB61855-H2FS****	CB61855-H24S****
9.0	47.0	40.0	28.0	42.5	1.0	37.0	CB61905-H2FS****	CB61905-H24S****
9.5	47.0	40.0	28.0	42.5	1.0	37.0	CB61955-H2FS****	CB61955-H24S****
10.0	47.0	44.0	30.0	42.5	1.0	37.0	CB61106-H2FS****	CB61106-H24S****

备注:

“-” : 客户要求的容量偏差

“\*\*” : 引出端代码 (见表1)

“-”=custom's capacitor tolerance code, J=±5%, K=±10%

“\*\*”= Terminals code (refer to table1)



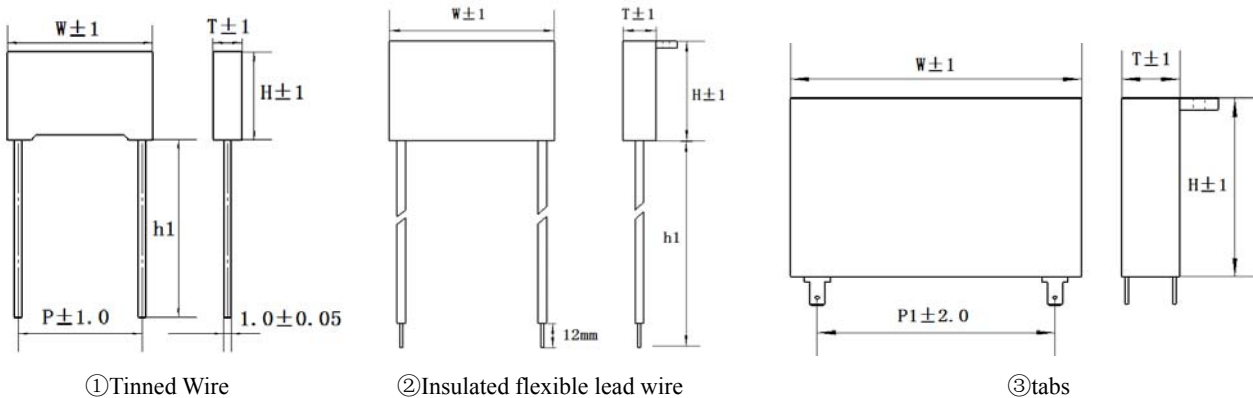
CBB61G

中星 CBB61G series

## CBB61G 型金属化聚丙烯薄膜交流电动机电容器（塑料外壳）

## Metallized Polypropylene Film AC Motor Capacitor (Plastic Box Type)

### ◆ 外形尺寸图 Outline Drawing



### ◆ 特点及用途 Application and Feature

适用于频率为 50Hz/60Hz 的交流电源供电的单相电动机启动和运转，有自愈特性，性能稳定，可靠性高，失效时呈开路，更安全。

Widely applied to starting and running of AC single-phase motors at 50Hz/60Hz frequency power. Self-healing property, extremely stable performance and reliability, failed in open circuit mode, more safety.

### ◆ 技术要求 Specifications

参照标准 Reference Standard	GB/T 3667.1、IEC 60252-1		
气候类别 Climatic Category	40/85/21		
额定电压 Rated Voltage	500Vac/450Vac (50~60Hz)		
工作温度范围 Operation Temperature Range	-40℃~85℃		
防护等级 Degree of Protection	S3	表示该类电容器失效后呈开路状态，并且是防火或防爆的	
		Indicates that the capacitor failed in open circuit mode only and is protected against fire or shock hazard.	
电容量 Capacitance Range	0.5μF~10.0μF		
电容量偏差 Capacitance Tolerance	±5%(J)、±10%(K)(20±5℃,1kHz)		
运行等级 Class of Operation	Class C (for 500Vac/450Vac) Class B (for 450Vac)		
最高运行电压/最高运行电流 Maximum Permissible Voltage/Current	1.1UN/1.3IN		
耐电压 Voltage Proof	引线之间 Between Terminals	450 Vac	500 Vac
		900Vac (2s)	1000Vac (2s)
	极壳之间 Between Terminals to Case	3000Vac (1min)	
绝缘电阻 Insulation Resistance	IR×C≥3 000s (20℃, 1min, 100Vdc)		
损耗角正切 Dissipation Factor	1kHz: Tan δ≤0.0020		

### ◆ 安全认证 Safety Approval

	CQC (中国)	GB 3667.1 交流电动机用电容器 1.0~10 μF, 500Vac Class C or 450Vac Class B, S3, SH, 40/85/21 Certificate No.: CQC18006197484
	UL-CUL (美国/加拿大)	UL 810, CSA C22.2, No. 190-14 Certificate No.: E469110
	TUV Rheinland (欧盟)	EN60252-1:2013 A.C. motor capacitors 1.0~10 μF, 500Vac Class C or 450Vac Class B, S3, SH, 40/85/21 Certificate No.: R50409127

◆ 产品代码编写说明: Part number code system:

16 位产品代码如下: The 16 digits part number is formed as follow:

1 2 3 4 5 6 7 8 9 10 11 12 13 14 15 16

C	B	6	G												
---	---	---	---	--	--	--	--	--	--	--	--	--	--	--	--

第 1~4 位	薄膜电容器系列代码 CB6G=CBB61G	Digit 1~4	Series code of film capacitor CB6G=CBB61G
第 5~7 位	标称容量代码 举例: 103=10×10 <sup>3</sup> pF=0.01 μ F	Digit 5~7	Rated capacitance value code For example: 103=10×10 <sup>3</sup> pF=0.01 μ F
第 8 位	容量等级代码 J=±5% K=±10%	Digit 8	Capacitance tolerance code J=±5% K=±10%
第 9~10 位	交流额定电压代码 S2=450Vac H2=500Vac	Digit 9~10	AC rated voltage code S2=450Vac H2=500Vac
第 11 位	引线脚距代码 (引线式) 9=22.5 B=27.5 D=32.5 E=37.5  外壳宽度 W (插片或绝缘软引线)  1=32mm 2=37mm 3=42mm 4=47mm 5=57mm	Digit 11	Pitch code (for tinned wire) 9=22.5 B=27.5 D=32.5 E=37.5  wide of case (for tabs and insulated flexible lead wire)  1=32mm 2=37mm 3=42mm 4=47mm 5=57mm
第 12 位	内部特征码	Digit 12	Internal use
第 13~16 位	引出端代码 (见表 1)	Digit 13~16	Terminals code (Referring to table 1)

表 1 引出端代码

Table1 Terminals code

第13位 Digit13		第14~15位 Digit14~15		第 16 位 Digit16	
代码 Code	引出端形式 Terminals code	代码 Code	引出端长度 Lead length	代码 Code	引出端长度偏差 Lead length tolerance
B	镀锡引线	00	标准镀锡引线长度5.5mm 或 标准绝缘软引线长度110mm	0	镀锡引线长度公差±0.5 或 绝缘软引线长度公差±10 或 插片式
R	绝缘软引线	45	镀锡引线长度 4.5mm 或 绝缘软引线长度 450mm		
C	插片引出	11	插片AMP187#每边一个		
		12	插片AMP187#每边两个		
		21	插片AMP250#每边一个		
		22	插片AMP250#每边两个		



# CBB61G

CBB61G series

◆ 产品尺寸: **Product Dimension:**

450 <sup>▲</sup> /500Vac								
C (μF)	W	H	T	引线式 Tinned Wire		插片式 tabs	产品代码 Part number	
				P	d	P1	引线式 Tinned Wire	软引线或插片式 flexible wire or tabs
1.0	32.0	23.0	13.0	27.5	1.0	22.0	CB6G105-H2B0****	CB6G105-H210****
1.2	32.0	25.0	14.0	27.5	1.0	22.0	CB6G125-H2B0****	CB6G125-H210****
1.4	32.0	28.0	14.0	27.5	1.0	22.0	CB6G145-H2B0****	CB6G145-H210****
1.5	32.0	28.0	14.0	27.5	1.0	22.0	CB6G155-H2B0****	CB6G155-H210****
1.6	32.0	28.0	17.0	27.5	1.0	22.0	CB6G165-H2B0****	CB6G165-H210****
1.8	32.0	28.0	17.0	27.5	1.0	22.0	CB6G185-H2B0****	CB6G185-H210****
2.0	32.0	30.0	18.0	27.5	1.0	22.0	CB6G205-H2B0****	CB6G205-H210****
2.2	32.0	30.0	20.0	27.5	1.0	22.0	CB6G225-H2B0****	CB6G225-H210****
2.5	32.0	33.0	20.0	27.5	1.0	22.0	CB6G255-H2B0****	CB6G255-H210****
2.7	32.0	37.0	22.0	27.5	1.0	22.0	CB6G275-H2B0****	CB6G275-H210****
3.0	32.0	37.0	22.0	27.5	1.0	22.0	CB6G305-H2B0****	CB6G305-H210****
3.3	32.0	37.0	22.0	27.5	1.0	22.0	CB6G335-H2B0****	CB6G335-H210****
3.5	32.0	37.0	25.0	27.5	1.0	22.0	CB6G355-H2B0****	CB6G355-H210****
4.0	32.0	37.5	27.5	27.5	1.0	22.0	CB6G405-H2B0****	CB6G405-H210****
1.0	37.0	23.0	13.0	32.5	1.0	27.0	CB6G105-H2D0****	CB6G105-H220****
1.2	37.0	24.0	14.0	32.5	1.0	27.0	CB6G125-H2D0****	CB6G125-H220****
1.5	37.0	27.0	15.0	32.5	1.0	27.0	CB6G155-H2D0****	CB6G155-H220****
1.6	37.0	27.0	15.0	32.5	1.0	27.0	CB6G165-H2D0****	CB6G165-H220****
1.8	37.0	30.0	16.0	32.5	1.0	27.0	CB6G185-H2D0****	CB6G185-H220****
2.0	37.0	30.0	16.0	32.5	1.0	27.0	CB6G205-H2D0****	CB6G205-H220****
2.2	37.0	30.0	18.0	32.5	1.0	27.0	CB6G225-H2D0****	CB6G225-H220****
2.5	37.0	33.0	18.0	32.5	1.0	27.0	CB6G255-H2D0****	CB6G255-H220****
2.7	37.0	33.0	20.0	32.5	1.0	27.0	CB6G275-H2D0****	CB6G275-H220****
3.0	37.0	37.0	22.0	32.5	1.0	27.0	CB6G305-H2D0****	CB6G305-H220****
3.3	37.0	37.0	22.0	32.5	1.0	27.0	CB6G335-H2D0****	CB6G335-H220****
3.5	37.0	37.0	22.0	32.5	1.0	27.0	CB6G355-H2D0****	CB6G355-H220****
4.0	37.0	38.0	24.0	32.5	1.0	27.0	CB6G405-H2D0****	CB6G405-H220****
4.5	37.0	41.0	26.0	32.5	1.0	27.0	CB6G455-H2D0****	CB6G455-H220****
5.0	37.0	42.0	28.0	32.5	1.0	27.0	CB6G505-H2D0****	CB6G505-H220****
5.5	37.0	45.0	30.0	32.5	1.0	27.0	CB6G555-H2D0****	CB6G555-H220****
6.0	37.0	45.0	30.0	32.5	1.0	27.0	CB6G605-H2D0****	CB6G605-H220****
6.3	37.0	45.0	30.0	32.5	1.0	27.0	CB6G635-H2D0****	CB6G635-H220****
6.5	37.0	45.0	30.0	32.5	1.0	27.0	CB6G655-H2D0****	CB6G655-H220****
7.0	37.0	48.0	33.0	32.5	1.0	27.0	CB6G705-H2D0****	CB6G705-H220****
7.5	37.0	48.0	33.0	32.5	1.0	27.0	CB6G755-H2D0****	CB6G755-H220****

备注:

“-”：客户要求的容量偏差

“\*\*”：引出端代码（见表1）

“▲”：当额定电压为450Vdc时，第9~10位为2S

“-”=custom's capacitor tolerance code, J=±5%, K=±10%

“\*\*”= Terminals code (refer to table1)

“▲”=when the rated voltage is 450Vdc, the digit 9~10 is 2S

◆ 产品尺寸: Product Dimension:

450 <sup>▲</sup> /500Vac								
C ( $\mu$ F)	W	H	T	引线式 Tinned Wire		插片式 tabs	产品代码 Part number	
				P	d	P1	引线式 Tinned Wire	软引线或插片式 flexible wire or tabs
2.0	42.0	28.0	16.0	37.5	1.0	32.0	CB6G205-H2E0****	CB6G205-H230****
2.2	42.0	28.0	16.0	37.5	1.0	32.0	CB6G225-H2E0****	CB6G225-H230****
2.5	42.0	30.0	18.0	37.5	1.0	32.0	CB6G255-H2E0****	CB6G255-H230****
2.7	42.0	30.0	18.0	37.5	1.0	32.0	CB6G275-H2E0****	CB6G275-H230****
3.0	42.0	33.5	18.5	37.5	1.0	32.0	CB6G305-H2E0****	CB6G305-H230****
3.3	42.0	34.0	20.0	37.5	1.0	32.0	CB6G335-H2E0****	CB6G335-H230****
3.5	42.0	34.0	20.0	37.5	1.0	32.0	CB6G355-H2E0****	CB6G355-H230****
4.0	42.0	37.0	22.0	37.5	1.0	32.0	CB6G405-H2E0****	CB6G405-H230****
4.5	42.0	38.0	24.0	37.5	1.0	32.0	CB6G455-H2E0****	CB6G455-H230****
5.0	42.0	38.0	24.0	37.5	1.0	32.0	CB6G505-H2E0****	CB6G505-H230****
5.5	42.0	41.0	26.0	37.5	1.0	32.0	CB6G555-H2E0****	CB6G555-H230****
6.0	42.0	41.0	26.0	37.5	1.0	32.0	CB6G605-H2E0****	CB6G605-H230****
6.3	42.0	43.0	28.0	37.5	1.0	32.0	CB6G635-H2E0****	CB6G635-H230****
6.5	42.0	43.0	28.0	37.5	1.0	32.0	CB6G655-H2E0****	CB6G655-H230****
7.0	42.0	43.0	28.0	37.5	1.0	32.0	CB6G705-H2E0****	CB6G705-H230****
7.5	42.0	45.0	30.0	37.5	1.0	32.0	CB6G755-H2E0****	CB6G755-H230****
8.0	42.0	45.0	30.0	37.5	1.0	32.0	CB6G805-H2E0****	CB6G805-H230****
8.5	42.0	46.0	32.0	37.5	1.0	32.0	CB6G855-H2E0****	CB6G855-H230****
9.0	42.0	48.0	33.0	37.5	1.0	32.0	CB6G905-H2E0****	CB6G905-H230****
9.5	42.0	48.0	33.0	37.5	1.0	32.0	CB6G955-H2E0****	CB6G955-H230****
10.0	42.0	50.0	35.0	37.5	1.0	32.0	CB6G106-H2E0****	CB6G106-H230****
2.0	47.0	27.0	15.0	42.5	1.2	37.0	CB6G205-H2F0****	CB6G205-H240****
2.5	47.0	28.0	16.0	42.5	1.2	37.0	CB6G255-H2F0****	CB6G255-H240****
3.0	47.0	30.0	18.0	42.5	1.2	37.0	CB6G305-H2F0****	CB6G305-H240****
3.5	47.0	33.0	18.0	42.5	1.2	37.0	CB6G355-H2F0****	CB6G355-H240****
4.0	47.0	34.0	20.0	42.5	1.2	37.0	CB6G405-H2F0****	CB6G405-H240****
4.5	47.0	34.0	22.0	42.5	1.2	37.0	CB6G455-H2F0****	CB6G455-H240****
5.0	47.0	36.0	24.0	42.5	1.2	37.0	CB6G505-H2F0****	CB6G505-H240****
5.5	47.0	38.0	26.0	42.5	1.2	37.0	CB6G555-H2F0****	CB6G555-H240****
6.0	47.0	38.0	26.0	42.5	1.2	37.0	CB6G605-H2F0****	CB6G605-H240****
6.5	47.0	40.0	28.0	42.5	1.2	37.0	CB6G655-H2F0****	CB6G655-H240****
7.0	47.0	40.0	28.0	42.5	1.2	37.0	CB6G705-H2F0****	CB6G705-H240****
7.5	47.0	44.0	30.0	42.5	1.2	37.0	CB6G755-H2F0****	CB6G755-H240****
8.0	47.0	44.0	30.0	42.5	1.2	37.0	CB6G805-H2F0****	CB6G805-H240****
8.5	47.0	44.0	30.0	42.5	1.2	37.0	CB6G855-H2F0****	CB6G855-H240****
9.0	47.0	46.0	32.0	42.5	1.2	37.0	CB6G905-H2F0****	CB6G905-H240****
9.5	47.0	46.0	32.0	42.5	1.2	37.0	CB6G955-H2F0****	CB6G955-H240****
10.0	47.0	48.0	32.0	42.5	1.2	37.0	CB6G106-H2F0****	CB6G106-H240****

备注:

“-”：客户要求的容量偏差

“\*\*”：引出端代码（见表1）

“▲”：当额定电压为450Vdc时，第9~10位为2S

“-”=custom's capacitor tolerance code, J=±5%, K=±10%

“\*\*”= Terminals code (refer to table1)

“▲”=when the rated voltage is 450Vdc, the digit 9~10 is 2S



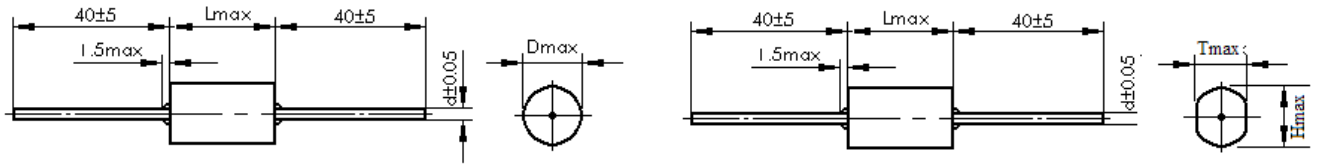
CBB20

中星 CBB20 series

## CBB20 型轴向金属化聚丙烯膜电容器

## Metallized Polypropylene Film Capacitor (Axial-Type)

### ◆ 外形尺寸图及产品结构 Outline Drawing and Capacitor Construction



① Axial circular

② Axial oval

### ◆ 特点及用途 Application and Feature

金属化聚丙烯薄膜，无感卷绕结构，体积小，自愈性好，适用于温度补偿电路，定时、振荡电路。

Metallized Polypropylene Film Capacitor, non-inductive wound construction, small size and excellent self-healing property. Suitable for Temperature compensation circuit, timing, oscillator circuit.

### ◆ 技术要求 Specifications

参照标准 Reference Standard	GB 10190、IEC 60384-16
气候类别 Climatic Category	40/85/21
工作温度范围 Operation Temperature Range	-40℃~85℃
额定温度 Rated Temperature	85℃
额定电压 Rated Voltage	100Vdc/160Vdc、250Vdc、400Vdc、630Vdc、1000Vdc、1250Vdc
电容量范围 Capacitance Range	0.01μF~10.0μF
电容量偏差 Capacitance Tolerance	±5%(J)、±10%(K)、±20%(M) (20℃, 1kHz)
耐电压 Voltage Proof	U=1.6U <sub>R</sub> (20℃, 5s)
绝缘电阻 Insulation Resistance	C <sub>R</sub> ≤0.33μF, IR≥100 000MΩ C <sub>R</sub> >0.33μF, IR×C≥30 000s (20℃, 100Vdc, 1min)
损耗角正切 Dissipation Factor	≤0.0010 (1kHz, 20℃) ≤0.0020 (10kHz, 20℃) (C <sub>R</sub> ≤1μF)

### ◆ 产品代码编写说明: Part number code system

16 位产品代码如下: The 16 digits part number is formed as follow:

1	2	3	4	5	6	7	8	9	10	11	12	13	14	15	16
C	B	2	0												

第 1~4 位 薄膜电容器系列代码

CB20=CBB20

Digit 1~4

Series code of film capacitor

CB20=CBB20

第 5~7 位 标称容量代码

举例: 103=10×10<sup>3</sup>pF=0.01 μF

Digit 5~7

Rated capacitance value code

For example: 103=10×10<sup>3</sup>pF=0.01 μF

第 8 位 容量等级代码

J=±5% K=±10% M=±20%

Digit 8

Capacitance tolerance code

J=±5% K=±10% M=±20%

第 9~10 位 直流额定电压代码

1J=63V 2A=100V 2E=250V 2G=400V  
2J=630V 3A=1000V 3B=1250V

Digit 9~10

DC rated voltage code

1J=63V 2A=100V 2E=250V 2G=400V  
2J=630V 3A=1000V 3B=1250V

第 11 位 轴向

0=轴向圆形 1=轴向椭圆形

Digit 11

Axial

0=Axial circular 1=Axial oval

第 12 位 内部特征码

Digit 12

Internal use

第 13~16 位 标准引线长度代码

B000=40mm

Digit 13~16

Lead length code

B000=40mm



◆ 产品尺寸: Special Product Dimension:

100V/160Vdc					250Vdc					400Vdc				
C ( $\mu$ F)	D max	L max	d	产品代码 Part number	C ( $\mu$ F)	D max	L max	d	产品代码 Part number	C ( $\mu$ F)	D max	L max	d	产品代码 Part number
0.022	4.8	12.5	0.6	CB20223-2A00B000	0.010	4.9	12.5	0.6	CB20103-2E00B000	0.0068	5.0	12.5	0.6	CB20682-2G00B000
0.027	4.9	12.5	0.6	CB20273-2A00B000	0.012	5.0	12.5	0.6	CB20123-2E00B000	0.0082	5.1	12.5	0.6	CB20822-2G00B000
0.033	5.0	12.5	0.6	CB20333-2A00B000	0.015	5.2	12.5	0.6	CB20153-2E00B000	0.010	5.2	12.5	0.6	CB20103-2G00B000
0.039	5.2	12.5	0.6	CB20393-2A00B000	0.018	5.3	12.5	0.6	CB20183-2E00B000	0.012	5.3	12.5	0.6	CB20123-2G00B000
0.047	5.3	12.5	0.6	CB20473-2A00B000	0.022	5.5	12.5	0.6	CB20223-2E00B000	0.015	5.5	12.5	0.6	CB20153-2G00B000
0.056	5.5	12.5	0.6	CB20563-2A00B000	0.027	5.7	12.5	0.6	CB20273-2E00B000	0.018	5.7	12.5	0.6	CB20183-2G00B000
0.068	5.7	12.5	0.6	CB20683-2A00B000	0.033	5.9	12.5	0.6	CB20333-2E00B000	0.022	6.0	12.5	0.6	CB20223-2G00B000
0.082	5.6	14.7	0.6	CB20823-2A00B000	0.039	5.7	14.7	0.6	CB20393-2E00B000	0.027	5.8	14.7	0.6	CB20273-2G00B000
0.10	5.8	14.7	0.6	CB20104-2A00B000	0.047	6.0	14.7	0.6	CB20473-2E00B000	0.033	6.1	14.7	0.6	CB20333-2G00B000
0.12	6.1	14.7	0.6	CB20124-2A00B000	0.056	6.2	14.7	0.6	CB20563-2E00B000	0.039	6.3	14.7	0.6	CB20393-2G00B000
0.15	6.4	14.7	0.6	CB20154-2A00B000	0.068	6.5	14.7	0.6	CB20683-2E00B000	0.047	6.6	14.7	0.6	CB20473-2G00B000
0.18	6.8	14.7	0.8	CB20184-2A00B000	0.082	6.8	14.7	0.6	CB20823-2E00B000	0.056	7.0	14.7	0.6	CB20563-2G00B000
0.22	7.2	14.7	0.8	CB20224-2A00B000	0.10	7.3	14.7	0.8	CB20104-2E00B000	0.068	7.4	14.7	0.8	CB20683-2G00B000
0.27	7.7	14.7	0.8	CB20274-2A00B000	0.12	7.7	14.7	0.8	CB20124-2E00B000	0.082	7.8	14.7	0.8	CB20823-2G00B000
0.33	6.9	19.7	0.8	CB20334-2A00B000	0.15	8.3	14.7	0.8	CB20154-2E00B000	0.10	7.0	19.7	0.8	CB20104-2G00B000
0.39	7.3	19.7	0.8	CB20394-2A00B000	0.18	8.8	14.7	0.8	CB20184-2E00B000	0.12	7.4	19.7	0.8	CB20124-2G00B000
0.47	7.8	19.7	0.8	CB20474-2A00B000	0.22	7.7	19.7	0.8	CB20224-2E00B000	0.15	7.9	19.7	0.8	CB20154-2G00B000
0.56	8.2	19.7	0.8	CB20564-2A00B000	0.27	8.3	19.7	0.8	CB20274-2E00B000	0.18	8.4	19.7	0.8	CB20184-2G00B000
0.68	8.2	28.7	0.8	CB20684-2A00B000	0.33	8.9	19.7	0.8	CB20334-2E00B000	0.22	9.0	19.7	0.8	CB20224-2G00B000
0.82	8.7	28.7	0.8	CB20824-2A00B000	0.39	9.4	19.7	0.8	CB20394-2E00B000	0.27	9.7	19.7	0.8	CB20274-2G00B000
1.0	9.2	28.7	0.8	CB20105-2A00B000	0.47	9.0	28.7	0.8	CB20474-2E00B000	0.33	9.2	28.7	0.8	CB20334-2G00B000
1.2	9.8	28.7	0.8	CB20125-2A00B000	0.56	9.5	28.7	0.8	CB20564-2E00B000	0.39	9.8	28.7	0.8	CB20394-2G00B000
1.5	10.6	28.7	0.8	CB20155-2A00B000	0.68	10.1	28.7	0.8	CB20684-2E00B000	0.47	10.4	28.7	0.8	CB20474-2G00B000
1.8	11.4	28.7	0.8	CB20185-2A00B000	0.82	10.8	28.7	0.8	CB20824-2E00B000	0.56	11.1	28.7	0.8	CB20564-2G00B000
2.2	11.6	33.7	0.8	CB20225-2A00B000	1.0	11.6	28.7	0.8	CB20105-2E00B000	0.68	11.9	28.7	0.8	CB20684-2G00B000
2.7	12.5	33.7	0.8	CB20275-2A00B000	1.2	12.5	28.7	0.8	CB20125-2E00B000	0.82	12.8	28.7	0.8	CB20824-2G00B000
3.3	13.5	33.7	0.8	CB20335-2A00B000	1.5	12.4	33.7	0.8	CB20155-2E00B000	1.0	12.6	33.7	0.8	CB20105-2G00B000
3.9	14.4	33.7	0.8	CB20395-2A00B000	1.8	13.3	33.7	0.8	CB20185-2E00B000	1.2	13.5	33.7	0.8	CB20125-2G00B000
4.7	15.5	33.7	1.0	CB20475-2A00B000	2.2	14.4	33.7	0.8	CB20225-2E00B000	1.5	14.8	33.7	0.8	CB20155-2G00B000
5.6	16.6	33.7	1.0	CB20565-2A00B000	2.7	15.7	33.7	1.0	CB20275-2E00B000	1.8	16.0	33.7	1.0	CB20185-2G00B000
6.8	15.5	43.7	1.0	CB20685-2A00B000	3.3	17.1	33.7	1.0	CB20335-2E00B000	2.2	17.4	33.7	1.0	CB20225-2G00B000
8.2	16.8	43.7	1.0	CB20825-2A00B000	3.9	18.4	33.7	1.0	CB20395-2E00B000	2.7	19.1	33.7	1.0	CB20275-2G00B000
10	18.2	43.7	1.0	CB20106-2A00B000	4.7	17.4	43.7	1.0	CB20475-2E00B000	3.3	18.1	43.7	1.0	CB20335-2G00B000
12	17.0	57.7	1.0	CB20126-2A00B000	5.6	18.7	43.7	1.0	CB20565-2E00B000	3.9	19.4	43.7	1.0	CB20395-2G00B000
15	18.7	57.7	1.0	CB20156-2A00B000	6.8	20.3	43.7	1.0	CB20685-2E00B000	4.7	21.1	43.7	1.0	CB20475-2G00B000
					8.2	22.1	43.7	1.0	CB20825-2E00B000	5.6	22.7	43.7	1.0	CB20565-2G00B000
					10	20.7	57.7	1.0	CB20106-2E00B000	6.8	21.2	57.7	1.0	CB20685-2G00B000
					12	22.4	57.7	1.0	CB20126-2E00B000	8.2	23.1	57.7	1.0	CB20825-2G00B000
					15	24.7	57.7	1.0	CB20156-2E00B000	10	25.2	57.7	1.0	CB20106-2G00B000

备注:

“-”: 客户要求的容量偏差

“-”=custom's capacitor tolerance code, J=±5%, K=±10%, M=±20%





# CBB20

CBB20 series

◆ 产品尺寸: Special Product Dimension:

630Vdc					1000Vdc					1250Vdc				
C (μF)	D max	L max	d	产品代码 Part number	C (μF)	D max	L max	d	产品代码 Part number	C (μF)	D max	L max	d	产品代码 Part number
0.0010	4.8	12.5	0.6	CB20102-2J00B000	0.0010	5.2	12.5	0.6	CB20102-3A00B000	0.0010	5.7	12.5	0.6	CB20102-3B00B000
0.0018	5.1	12.5	0.6	CB20182-2J00B000	0.0012	5.3	12.5	0.6	CB20122-3A00B000	0.0012	5.8	12.5	0.6	CB20122-3B00B000
0.0022	5.2	12.5	0.6	CB20222-2J00B000	0.0015	5.5	12.5	0.6	CB20152-3A00B000	0.0015	6.1	12.5	0.6	CB20152-3B00B000
0.0027	5.3	12.5	0.6	CB20272-2J00B000	0.0018	5.6	12.5	0.6	CB20182-3A00B000	0.0018	6.3	12.5	0.6	CB20182-3B00B000
0.0033	5.4	12.5	0.6	CB20332-2J00B000	0.0022	5.8	12.5	0.6	CB20222-3A00B000	0.0022	6.5	12.5	0.6	CB20222-3B00B000
0.0039	5.6	12.5	0.6	CB20392-2J00B000	0.0027	6.0	12.5	0.6	CB20272-3A00B000	0.0027	6.1	14.7	0.6	CB20272-3B00B000
0.0047	5.8	12.5	0.6	CB20472-2J00B000	0.0033	6.3	12.5	0.6	CB20332-3A00B000	0.0033	6.3	14.7	0.6	CB20332-3B00B000
0.0056	5.9	12.5	0.6	CB20562-2J00B000	0.0039	5.8	14.7	0.6	CB20392-3A00B000	0.0039	6.6	14.7	0.6	CB20392-3B00B000
0.0068	6.2	12.5	0.6	CB20682-2J00B000	0.0047	6.0	14.7	0.6	CB20472-3A00B000	0.0047	6.9	14.7	0.6	CB20472-3B00B000
0.0082	5.9	14.7	0.6	CB20822-2J00B000	0.0056	6.3	14.7	0.6	CB20562-3A00B000	0.0056	7.2	14.7	0.8	CB20562-3B00B000
0.010	6.2	14.7	0.6	CB20103-2J00B000	0.0068	6.5	14.7	0.6	CB20682-3A00B000	0.0068	7.5	14.7	0.8	CB20682-3B00B000
0.012	6.4	14.7	0.6	CB20123-2J00B000	0.0082	6.8	14.7	0.8	CB20822-3A00B000	0.0082	8.0	14.7	0.8	CB20822-3B00B000
0.015	6.8	14.7	0.6	CB20153-2J00B000	0.010	7.2	14.7	0.8	CB20103-3A00B000	0.010	8.5	14.7	0.8	CB20103-3B00B000
0.018	7.1	14.7	0.6	CB20183-2J00B000	0.012	7.6	14.7	0.8	CB20123-3A00B000	0.012	7.4	19.7	0.8	CB20123-3B00B000
0.022	7.6	14.7	0.8	CB20223-2J00B000	0.015	8.1	14.7	0.8	CB20153-3A00B000	0.015	7.8	19.7	0.8	CB20153-3B00B000
0.027	8.1	14.7	0.8	CB20273-2J00B000	0.018	6.9	19.7	0.8	CB20183-3A00B000	0.018	8.3	19.7	0.8	CB20183-3B00B000
0.033	7.0	19.7	0.8	CB20333-2J00B000	0.022	7.2	19.7	0.8	CB20223-3A00B000	0.022	8.8	19.7	0.8	CB20223-3B00B000
0.039	7.4	19.7	0.8	CB20393-2J00B000	0.027	7.7	19.7	0.8	CB20273-3A00B000	0.027	9.5	19.7	0.8	CB20273-3B00B000
0.047	7.8	19.7	0.8	CB20473-2J00B000	0.033	8.2	19.7	0.8	CB20333-3A00B000	0.033	10.2	19.7	0.8	CB20333-3B00B000
0.056	8.2	19.7	0.8	CB20563-2J00B000	0.039	8.6	19.7	0.8	CB20393-3A00B000	0.039	9.2	28.7	0.8	CB20393-3B00B000
0.068	8.8	19.7	0.8	CB20683-2J00B000	0.047	9.2	19.7	0.8	CB20473-3A00B000	0.047	9.8	28.7	0.8	CB20473-3B00B000
0.082	9.4	19.7	0.8	CB20823-2J00B000	0.056	8.6	28.7	0.8	CB20563-3A00B000	0.056	10.3	28.7	0.8	CB20563-3B00B000
0.10	8.9	28.7	0.8	CB20104-2J00B000	0.068	9.1	28.7	0.8	CB20683-3A00B000	0.068	11.0	28.7	0.8	CB20683-3B00B000
0.12	9.4	28.7	0.8	CB20124-2J00B000	0.082	9.7	28.7	0.8	CB20823-3A00B000	0.082	11.8	28.7	0.8	CB20823-3B00B000
0.15	10.1	28.7	0.8	CB20154-2J00B000	0.10	10.3	28.7	0.8	CB20104-3A00B000	0.10	12.7	28.7	0.8	CB20104-3B00B000
0.18	10.8	28.7	0.8	CB20184-2J00B000	0.12	11.0	28.7	0.8	CB20124-3A00B000	0.12	12.9	33.7	0.8	CB20124-3B00B000
0.22	11.6	28.7	0.8	CB20224-2J00B000	0.150	11.9	33.7	0.8	CB20154-3A00B000	0.15	13.9	33.7	0.8	CB20154-3B00B000
0.27	12.5	28.7	0.8	CB20274-2J00B000	0.180	12.5	33.7	0.8	CB20184-3A00B000	0.18	14.9	33.7	0.8	CB20184-3B00B000
0.33	12.3	33.7	0.8	CB20334-2J00B000	0.22	13.3	33.7	0.8	CB20224-3A00B000	0.22	16.1	33.7	1.0	CB20224-3B00B000
0.39	13.1	33.7	0.8	CB20394-2J00B000	0.27	14.3	33.7	0.8	CB20274-3A00B000	0.27	17.5	33.7	1.0	CB20274-3B00B000
0.47	14.1	33.7	0.8	CB20474-2J00B000	0.33	15.3	33.7	1.0	CB20334-3A00B000					
0.56	15.2	33.7	0.8	CB20564-2J00B000	0.39	16.3	33.7	1.0	CB20394-3A00B000					
0.68	16.4	33.7	1.0	CB20684-2J00B000										
0.82	17.8	33.7	1.0	CB20824-2J00B000										
1.0	16.9	43.7	1.0	CB20105-2J00B000										
1.2	18.2	43.7	1.0	CB20125-2J00B000										
1.5	20.0	43.7	1.0	CB20155-2J00B000										
2.2	23.6	43.7	1.0	CB20225-2J00B000										
2.7	22.3	57.7	1.0	CB20275-2J00B000										
3.3	24.4	57.7	1.0	CB20335-2J00B000										

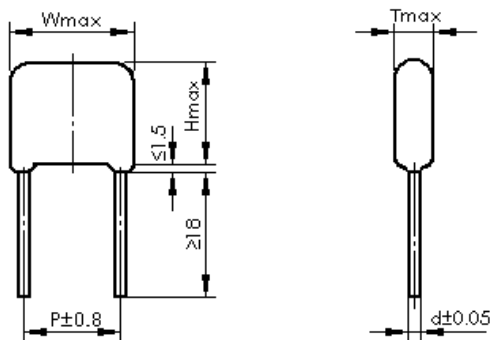
备注:

“-”: 客户要求的容量偏差

“-”=custom's capacitor tolerance code, J=±5%, K=±10%, M=±20%

## CBB21 型金属化聚丙烯膜电容器（浸渍型） Metallized Polypropylene Film Capacitor（Dipped）

### ◆ 外形尺寸图及产品结构 Outline Drawing and Capacitor Construction



### ◆ 特点及用途 Application and Feature

金属化聚丙烯膜，无感卷绕结构，体积小，自愈性好，适用于高频、直流、交流和脉冲电路。

Metallized Polypropylene Film Capacitor, non-inductive wound construction, small size and excellent self-healing property. Suitable for using in the high frequency, DC, AC and pulse circuits.

### ◆ 技术要求 Specifications

参照标准 Reference Standard	GB 10190、IEC 60384-16
气候类别 Climatic Category	40/105/21
工作温度范围 Operation Temperature Range	-40℃~105℃
额定温度 Rated Temperature	85℃
额定电压 Rated Voltage	100Vdc/160Vdc、250Vdc、400Vdc /450Vdc、630Vdc、 1000Vdc、1250Vdc、1600 Vdc、2000 Vdc
电容量范围 Capacitance Range	0.00047μF~6.8μF
电容量偏差 Capacitance Tolerance	±5%(J)、±10%(K)、±20%(M) (20℃, 1kHz)
耐电压 Voltage Proof	U=1.6UR (20℃, 5s)
绝缘电阻 Insulation Resistance	$C_R \leq 0.33\mu F$ , $IR \geq 100\ 000M\Omega$ $C_R > 0.33\mu F$ , $IR \times C \geq 30\ 000s$ (20℃, 100Vdc, 1min)
损耗角正切 Dissipation Factor	$\leq 0.0010$ (1kHz, 20℃) $\leq 0.0020$ (10kHz, 20℃) ( $C_R \leq 1\mu F$ )
<p>说明：电容器的工作电压随温度上升而下降，在 85~105℃之间，以 85℃为基准，环境温度每上升 1℃，电容器的额定工作电压应降低 1.25%。</p> <p>Note: The working voltage of the capacitor decreases as the temperature rises. between 85~105℃,take 85℃ as the base, the temperature rises 1℃,the rated working voltage of the capacitor decreases 1.25%.</p>	

### ◆ 最大电压脉冲斜率：Max dv/dt (V/μs)

额定电压 (V)	dv/dt(V/μs)			
	P=7.5mm	P=10.0mm	P=15.0mm	P=22.5mm
100/160	300	180	110	70
250	600	450	200	120
400/450	880	750	300	180
630	1 300	1 000	400	300
1000/1250	2 300	1 950	975	600
1600	/	6000	4500	2400
2000	/	/	8000	6000



# CBB21

## CBB21 series

### ◆ 产品尺寸: Product Dimension:

100Vdc (63Vac) /160Vdc (90Vac) ▲								250Vdc/160Vac							
C (μF)	W	H	T	P	d	产品代码 Part number	MOQ	C (μF)	W	H	T	P	d	产品代码 Part number	MOQ
0.0470	10.2	8.0	4.0	7.5	0.6	CB21473-2A30****	1000	0.0470	10.2	8.0	4.0	7.5	0.6	CB21473-2E30****	1000
0.0560	10.2	8.0	4.0	7.5	0.6	CB21563-2A30****	1000	0.0560	10.2	8.0	4.0	7.5	0.6	CB21563-2E30****	1000
0.0680	10.2	8.0	4.0	7.5	0.6	CB21683-2A30****	1000	0.0680	10.2	8.5	4.5	7.5	0.6	CB21683-2E30****	1000
0.0820	10.2	8.5	4.5	7.5	0.6	CB21823-2A30****	1000	0.0820	10.2	9.0	5.0	7.5	0.6	CB21823-2E30****	1000
0.1000	10.2	8.0	4.0	7.5	0.6	CB21104-2A30****	1000	0.1000	10.2	9.5	5.5	7.5	0.6	CB21104-2E30****	1000
0.1200	10.2	8.5	4.5	7.5	0.6	CB21124-2A30****	1000	0.1200	10.2	10.0	6.0	7.5	0.6	CB21124-2E30****	1000
0.1500	10.2	9.0	5.0	7.5	0.6	CB21154-2A30****	1000	0.0680	12.5	8.0	4.0	10.0	0.6	CB21683-2E40****	500
0.1800	10.2	9.5	5.5	7.5	0.6	CB21184-2A30****	1000	0.0820	12.5	8.5	4.5	10.0	0.6	CB21823-2E40****	500
0.2200	10.2	10.0	6.0	7.5	0.6	CB21224-2A30****	1000	0.1000	12.5	9.0	4.5	10.0	0.6	CB21104-2E40****	500
0.1000	12.5	8.0	4.0	10.0	0.6	CB21104-2A40****	500	0.1200	12.5	9.5	5.0	10.0	0.6	CB21124-2E40****	500
0.1200	12.5	8.5	4.5	10.0	0.6	CB21124-2A40****	500	0.1500	12.5	10.0	5.5	10.0	0.6	CB21154-2E40****	500
0.1500	12.5	8.5	4.0	10.0	0.6	CB21154-2A40****	500	0.1800	12.5	11.0	5.5	10.0	0.6	CB21184-2E40****	500
0.1800	12.5	8.5	4.5	10.0	0.6	CB21184-2A40****	500	0.2200	12.5	12.0	6.0	10.0	0.6	CB21224-2E40****	500
0.2200	12.5	9.5	5.0	10.0	0.6	CB21224-2A40****	500	0.1800	17.5	10.5	4.5	15.0	0.6	CB21184-2E60****	500
0.2700	12.5	10.0	5.5	10.0	0.6	CB21274-2A40****	500	0.2200	17.5	10.5	5.0	15.0	0.6	CB21224-2E60****	500
0.3300	12.5	11.0	5.5	10.0	0.6	CB21334-2A40****	500	0.2700	17.5	11.0	5.5	15.0	0.6	CB21274-2E60****	500
0.3900	12.5	11.5	6.0	10.0	0.6	CB21394-2A40****	500	0.3300	17.5	13.0	5.5	15.0	0.6	CB21334-2E60****	500
0.2200	17.5	9.5	4.5	15.0	0.6	CB21224-2A60****	500	0.3900	17.5	13.5	6.0	15.0	0.8	CB21394-2E60****	500
0.2700	17.5	10.5	4.5	15.0	0.6	CB21274-2A60****	500	0.4700	17.5	14.0	6.5	15.0	0.8	CB21474-2E60****	500
0.3300	17.5	10.0	4.5	15.0	0.6	CB21334-2A60****	500	0.5600	17.5	14.5	7.5	15.0	0.8	CB21564-2E60****	500
0.3900	17.5	10.5	5.0	15.0	0.6	CB21394-2A60****	500	0.6800	17.5	15.5	8.0	15.0	0.8	CB21684-2E60****	500
0.4700	17.5	11.0	5.5	15.0	0.6	CB21474-2A60****	500	0.8200	17.5	16.5	9.0	15.0	0.8	CB21824-2E60****	500
0.5600	17.5	11.5	6.0	15.0	0.8	CB21564-2A60****	500	1.0000	17.5	18.0	9.5	15.0	0.8	CB21105-2E60****	500
0.6800	17.5	13.0	6.0	15.0	0.8	CB21684-2A60****	500	0.4700	25.5	11.5	6.0	22.5	0.8	CB21474-2E90****	500
0.8200	17.5	13.5	6.5	15.0	0.8	CB21824-2A60****	500	0.5600	25.5	13.0	6.0	22.5	0.8	CB21564-2E90****	500
1.0000	17.5	14.5	7.0	15.0	0.8	CB21105-2A60****	500	0.6800	25.5	14.0	6.5	22.5	0.8	CB21684-2E90****	500
1.2000	17.5	15.0	8.0	15.0	0.8	CB21125-2A60****	500	0.8200	25.5	14.5	7.0	22.5	0.8	CB21824-2E90****	500
1.5000	17.5	16.0	9.0	15.0	0.8	CB21155-2A60****	500	1.0000	25.5	15.5	8.0	22.5	0.8	CB21105-2E90****	500
1.8000	17.5	17.0	9.5	15.0	0.8	CB21185-2A60****	500	1.2000	25.5	16.0	9.0	22.5	0.8	CB21125-2E90****	500
1.0000	25.5	14.0	6.5	22.5	0.8	CB21105-2A90****	500	1.5000	25.5	17.0	10.0	22.5	0.8	CB21155-2E90****	500
1.2000	25.5	13.5	6.5	22.5	0.8	CB21125-2A90****	500	1.8000	25.5	18.5	11.0	22.5	0.8	CB21185-2E90****	200
1.5000	25.5	14.5	7.0	22.5	0.8	CB21155-2A90****	500	2.2000	25.5	20.5	11.5	22.5	0.8	CB21225-2E90****	200
1.8000	25.5	15.0	8.0	22.5	0.8	CB21185-2A90****	500	2.7000	25.5	22.0	13.0	22.5	0.8	CB21275-2E90****	200
2.2000	25.5	17.0	8.0	22.5	0.8	CB21225-2A90****	500	3.3000	25.5	23.5	14.5	22.5	0.8	CB21335-2E90****	200
2.7000	25.5	18.0	9.0	22.5	0.8	CB21275-2A90****	500	3.9000	25.5	25.5	16.5	22.5	0.8	CB21395-2E90****	200
3.3000	25.5	19.0	10.0	22.5	0.8	CB21335-2A90****	500	4.7000	25.5	27.0	18.0	22.5	0.8	CB21475-2E90****	200
3.9000	25.5	20.0	11.0	22.5	0.8	CB21395-2A90****	200								
4.7000	25.5	21.0	12.5	22.5	0.8	CB21475-2A90****	200								
5.6000	25.5	22.5	13.5	22.5	0.8	CB21565-2A90****	200								
6.8000	25.5	24.0	15.0	22.5	0.8	CB21685-2A90****	200								

备注:

“-” :客户要求的容量偏差

“\*\*\*\*” : 引线加工和包装代码 (见 15 页表 4)

“▲”: 当额定电压为 160V 时, 第 9~10 位为 2C

MOQ: 最小订单量

“-”=custom's capacitor tolerance code, J=±5%, K=±10%, M=±20%

“\*\*\*\*”= Lead form and packing code (refer to table 4 in page 15)

“▲”=when the rated voltage is 160Vdc, the digit 9~10 is 2C

MOQ = Minimum order quantity

◆ 产品尺寸: Product Dimension:

400Vdc/450Vdc <sup>▲</sup> (200Vac)															
C ( $\mu$ F)	W	H	T	P	d	产品代码 Part number	MOQ	C ( $\mu$ F)	W	H	T	P	d	产品代码 Part number	MOQ
0.0100	10.2	8.0	4.0	7.5	0.6	CB21103-2G30****	1000	0.0470	17.5	10.5	4.5	15.0	0.6	CB21473-2G60****	500
0.0120	10.2	8.0	4.0	7.5	0.6	CB21123-2G30****	1000	0.0560	17.5	10.5	4.5	15.0	0.6	CB21563-2G60****	500
0.0150	10.2	8.0	4.0	7.5	0.6	CB21153-2G30****	1000	0.0680	17.5	10.0	4.5	15.0	0.6	CB21683-2G60****	500
0.0180	10.2	8.0	4.0	7.5	0.6	CB21183-2G30****	1000	0.0820	17.5	10.5	5.0	15.0	0.6	CB21823-2G60****	500
0.0220	10.2	8.0	4.0	7.5	0.6	CB21223-2G30****	1000	0.1000	17.5	10.0	4.5	15.0	0.6	CB21104-2G60****	500
0.0270	10.2	8.0	4.0	7.5	0.6	CB21273-2G30****	1000	0.1200	17.5	10.5	5.0	15.0	0.6	CB21124-2G60****	500
0.0330	10.2	8.5	4.5	7.5	0.6	CB21333-2G30****	1000	0.1500	17.5	11.0	5.5	15.0	0.6	CB21154-2G60****	500
0.0390	10.2	9.0	5.0	7.5	0.6	CB21393-2G30****	1000	0.1800	17.5	11.5	6.0	15.0	0.6	CB21184-2G60****	500
0.0470	10.2	9.5	5.5	7.5	0.6	CB21473-2G30****	1000	0.2200	17.5	12.0	6.5	15.0	0.8	CB21224-2G60****	500
0.0560	10.2	9.5	5.5	7.5	0.6	CB21563-2G30****	1000	0.2700	17.5	14.0	6.5	15.0	0.8	CB21274-2G60****	500
0.0680	10.2	11.5	6.0	7.5	0.6	CB21683-2G30****	1000	0.3300	17.5	14.5	7.5	15.0	0.8	CB21334-2G60****	500
0.0220	12.5	8.0	4.0	10.0	0.6	CB21223-2G40****	500	0.3900	17.5	15.5	8.0	15.0	0.8	CB21394-2G60****	500
0.0270	12.5	8.0	4.0	10.0	0.6	CB21273-2G40****	500	0.4700	17.5	16.0	9.0	15.0	0.8	CB21474-2G60****	500
0.0330	12.5	8.0	4.0	10.0	0.6	CB21333-2G40****	500	0.5600	17.5	17.0	10.0	15.0	0.8	CB21564-2G60****	500
0.0390	12.5	8.0	4.0	10.0	0.6	CB21393-2G40****	500	0.3300	25.5	13.0	5.5	22.5	0.8	CB21334-2G90****	500
0.0470	12.5	8.5	4.5	10.0	0.6	CB21473-2G40****	500	0.3900	25.5	13.5	6.0	22.5	0.8	CB21394-2G90****	500
0.0560	12.5	9.0	5.0	10.0	0.6	CB21563-2G40****	500	0.4700	25.5	14.0	7.0	22.5	0.8	CB21474-2G90****	500
0.0680	12.5	10.0	5.0	10.0	0.6	CB21683-2G40****	500	0.5600	25.5	15.0	7.5	22.5	0.8	CB21564-2G90****	500
0.0820	12.5	11.0	5.0	10.0	0.6	CB21823-2G40****	500	0.6800	25.5	15.5	8.5	22.5	0.8	CB21684-2G90****	500
0.1000	12.5	11.5	5.5	10.0	0.6	CB21104-2G40****	500	0.8200	25.5	17.5	8.5	22.5	0.8	CB21824-2G90****	500
0.1200	12.5	12.0	6.0	10.0	0.6	CB21124-2G40****	500	1.0000	25.5	18.5	9.5	22.5	0.8	CB21105-2G90****	500
0.1500	12.5	12.5	7.0	10.0	0.6	CB21154-2G40****	500	1.2000	25.5	19.5	10.5	22.5	0.8	CB21125-2G90****	200
0.1800	12.5	13.5	8.0	10.0	0.6	CB21184-2G40****	500	1.5000	25.5	21.0	12.0	22.5	0.8	CB21155-2G90****	200
0.2200	12.5	14.5	8.5	10.0	0.6	CB21224-2G40****	500	1.8000	25.5	22.0	13.5	22.5	0.8	CB21185-2G90****	200
								2.2000	25.5	24.5	15.5	22.5	0.8	CB21225-2G90****	200
								2.7000	25.5	27.0	16.5	22.5	0.8	CB21275-2G90****	200

备注:

“-”: 客户要求的容量偏差

“\*\*\*\*”: 引线加工和包装代码 (见 15 页表 4)

“▲”: 当额定电压为 450Vdc 时, 第 9~10 位为 2S

MOQ: 最小订单量

“-”=custom's capacitor tolerance code, J=±5%, K=±10%, M=±20%

“\*\*\*\*”= Lead form and packing code (refer to table 4 in page 15)

“▲”=when the rated voltage is 450Vdc, the digit 9~10 is 2S

MOQ = Minimum order quantity



# CBB21

## CBB21 series

### ◆ 产品尺寸: Special Product Dimension:

630Vdc (220Vac)															
C (μF)	W	H	T	P	d	产品代码 Part number	MOQ	C (μF)	W	H	T	P	d	产品代码 Part number	MOQ
0.0068	10.2	8.0	4.0	7.5	0.6	CB21682-2J30****	1000	0.0560	17.5	10.5	5.0	15.0	0.6	CB21563-2J60****	500
0.0082	10.2	8.0	4.0	7.5	0.6	CB21822-2J30****	1000	0.0680	17.5	11.0	5.5	15.0	0.6	CB21683-2J60****	500
0.0100	10.2	8.0	4.0	7.5	0.6	CB21103-2J30****	1000	0.0820	17.5	13.0	5.5	15.0	0.6	CB21823-2J60****	500
0.0120	10.2	8.0	4.0	7.5	0.6	CB21123-2J30****	1000	0.1000	17.5	13.5	6.0	15.0	0.8	CB21104-2J60****	500
0.0150	10.2	8.5	4.5	7.5	0.6	CB21153-2J30****	1000	0.1200	17.5	14.0	6.5	15.0	0.8	CB21124-2J60****	500
0.0180	10.2	9.0	5.0	7.5	0.6	CB21183-2J30****	1000	0.1500	17.5	14.5	7.5	15.0	0.8	CB21154-2J60****	500
0.0220	10.2	9.5	5.5	7.5	0.6	CB21223-2J30****	1000	0.1800	17.5	15.5	8.0	15.0	0.8	CB21184-2J60****	500
0.0270	10.2	11.0	5.5	7.5	0.6	CB21273-2J30****	1000	0.2200	17.5	16.5	9.0	15.0	0.8	CB21224-2J60****	500
0.0330	10.2	12.0	6.0	7.5	0.6	CB21333-2J30****	1000	0.2700	17.5	17.5	10.0	15.0	0.8	CB21274-2J60****	500
0.0100	12.5	8.0	4.0	10.0	0.6	CB21103-2J40****	500	0.1000	25.5	12.5	5.5	22.5	0.8	CB21104-2J90****	500
0.0120	12.5	8.0	4.0	10.0	0.6	CB21123-2J40****	500	0.1200	25.5	13.0	6.0	22.5	0.8	CB21124-2J90****	500
0.0150	12.5	8.0	4.0	10.0	0.6	CB21153-2J40****	500	0.1500	25.5	13.0	6.0	22.5	0.8	CB21154-2J90****	500
0.0180	12.5	8.0	4.0	10.0	0.6	CB21183-2J40****	500	0.1800	25.5	13.5	6.5	22.5	0.8	CB21184-2J90****	500
0.0220	12.5	8.5	4.5	10.0	0.6	CB21223-2J40****	500	0.2200	25.5	14.5	7.0	22.5	0.8	CB21224-2J90****	500
0.0270	12.5	9.5	4.5	10.0	0.6	CB21273-2J40****	500	0.2700	25.5	15.0	8.0	22.5	0.8	CB21274-2J90****	500
0.0330	12.5	11.0	6.0	10.0	0.6	CB21333-2J40****	500	0.3300	25.5	16.0	8.5	22.5	0.8	CB21334-2J90****	500
0.0390	12.5	11.0	5.5	10.0	0.6	CB21393-2J40****	500	0.3900	25.5	16.5	9.5	22.5	0.8	CB21394-2J90****	500
0.0470	12.5	11.5	6.0	10.0	0.6	CB21473-2J40****	500	0.4700	25.5	18.5	10.0	22.5	0.8	CB21474-2J90****	500
0.0560	12.5	12.0	6.5	10.0	0.6	CB21563-2J40****	500	0.5600	25.5	19.5	10.5	22.5	0.8	CB21564-2J90****	200
0.0330	17.5	10.0	4.5	15.0	0.6	CB21333-2J60****	500	0.6800	25.5	21.0	12.0	22.5	0.8	CB21684-2J90****	200
0.0390	17.5	10.5	4.5	15.0	0.6	CB21393-2J60****	500	0.8200	25.5	22.5	14.0	22.5	0.8	CB21824-2J90****	200
0.0470	17.5	10.5	4.5	15.0	0.6	CB21473-2J60****	500	1.0000	25.5	24.0	15.5	22.5	0.8	CB21105-2J90****	200

630Vdc (220Vac)															
C (μF)	W	H	T	P	d	产品代码 Part number	MOQ	C (μF)	W	H	T	P	d	产品代码 Part number	MOQ
0.0100	10.2	7.5	3.5	7.5	0.6	CB21103-2J3S****	1000	0.0680	17.5	10.5	5.0	15.0	0.6	CB21683-2J6S****	500
0.0120	10.2	8.0	4.0	7.5	0.6	CB21123-2J3S****	1000	0.0820	17.5	11.0	5.5	15.0	0.6	CB21823-2J6S****	500
0.0150	10.2	8.0	4.0	7.5	0.6	CB21153-2J3S****	1000	0.1000	17.5	12.5	5.5	15.0	0.6	CB21104-2J6S****	500
0.0180	10.2	8.5	4.5	7.5	0.6	CB21183-2J3S****	1000	0.1200	17.5	13.5	6.0	15.0	0.8	CB21124-2J6S****	500
0.0220	10.2	9.5	4.5	7.5	0.6	CB21223-2J3S****	1000	0.1500	17.5	14.0	6.5	15.0	0.8	CB21154-2J6S****	500
0.0270	10.2	10.5	5.0	7.5	0.6	CB21273-2J3S****	1000	0.1800	17.5	14.5	7.5	15.0	0.8	CB21184-2J6S****	500
0.0330	10.2	11.0	5.5	7.5	0.6	CB21333-2J3S****	1000	0.2200	17.5	15.5	8.0	15.0	0.8	CB21224-2J6S****	500
0.0390	10.2	11.5	6.0	7.5	0.6	CB21393-2J3S****	1000	0.2700	17.5	16.5	9.0	15.0	0.8	CB21274-2J6S****	500
0.0470	10.2	12.0	6.5	7.5	0.6	CB21473-2J3S****	1000	0.3300	17.5	17.5	10.0	15.0	0.8	CB21334-2J6S****	500
0.0150	12.5	7.5	3.5	10.0	0.6	CB21153-2J4S****	500	0.1500	25.5	12.5	5.0	22.5	0.8	CB21154-2J9S****	500
0.0180	12.5	8.0	4.0	10.0	0.6	CB21183-2J4S****	500	0.1800	25.5	13.0	5.5	22.5	0.8	CB21184-2J9S****	500
0.0220	12.5	8.0	4.0	10.0	0.6	CB21223-2J4S****	500	0.2200	25.5	13.5	6.5	22.5	0.8	CB21224-2J9S****	500
0.0270	12.5	8.5	4.5	10.0	0.6	CB21273-2J4S****	500	0.2700	25.5	14.5	7.0	22.5	0.8	CB21274-2J9S****	500
0.0330	12.5	9.5	4.5	10.0	0.6	CB21333-2J4S****	500	0.3300	25.5	15.0	8.0	22.5	0.8	CB21334-2J9S****	500
0.0390	12.5	10.5	5.0	10.0	0.6	CB21393-2J4S****	500	0.3900	25.5	16.0	8.5	22.5	0.8	CB21394-2J9S****	500
0.0470	12.5	11.0	5.5	10.0	0.6	CB21473-2J4S****	500	0.4700	25.5	16.5	9.5	22.5	0.8	CB21474-2J9S****	500
0.0560	12.5	11.5	5.5	10.0	0.6	CB21563-2J4S****	500	0.5600	25.5	18.5	9.5	22.5	0.8	CB21564-2J9S****	500
0.0680	12.5	12.0	6.5	10.0	0.6	CB21683-2J4S****	500	0.6800	25.5	19.5	10.5	22.5	0.8	CB21684-2J9S****	200
0.1000	12.5	13.5	7.5	10.0	0.6	CB21104-2J4S****	500	0.8200	25.5	21.5	12.5	22.5	0.8	CB21824-2J9S****	200
0.0470	17.5	9.5	4.5	15.0	0.6	CB21473-2J6S****	500	1.0000	25.5	22.5	14.0	22.5	0.8	CB21105-2J9S****	200
0.0560	17.5	10.5	4.5	15.0	0.6	CB21563-2J6S****	500	1.2000	25.5	24.0	15.0	22.5	0.8	CB21125-2J9S****	200

备注:

“-”: 客户要求的容量偏差

“\*\*\*\*”: 引线加工和包装代码 (见 15 页表 4)

MOQ: 最小订单量

“-”=custom's capacitor tolerance code, J=±5%, K=±10%, M=±20%

“\*\*\*\*”= Lead form and packing code (refer to table 4 in page 15)

MOQ = Minimum order quantity

◆ 产品尺寸: Special Product Dimension:

1000Vdc/1250 Vdc <sup>▲</sup> (400Vac)								1600Vdc (600Vac)							
C (μF)	W	H	T	P	d	产品代码 Part number	MOQ	C (μF)	W	H	T	P	d	产品代码 Part number	MOQ
0.001	10.2	8.0	3.5	7.5	0.6	CB21102-3A30****	1000	0.001	12.5	8.0	4.0	10.0	0.6	CB21102-3C40****	500
0.0012	10.2	7.5	3.5	7.5	0.6	CB21122-3A30****	1000	0.0012	12.5	8.0	4.0	10.0	0.6	CB21122-3C40****	500
0.0015	10.2	8.0	4.0	7.5	0.6	CB21152-3A30****	1000	0.0015	12.5	8.0	4.0	10.0	0.6	CB21152-3C40****	500
0.0018	10.2	8.0	4.0	7.5	0.6	CB21182-3A30****	1000	0.0018	12.5	8.5	4.5	10.0	0.6	CB21182-3C40****	500
0.0022	10.2	8.0	4.0	7.5	0.6	CB21222-3A30****	1000	0.0022	12.5	9.0	4.5	10.0	0.6	CB21222-3C40****	500
0.0027	10.2	8.5	4.5	7.5	0.6	CB21272-3A30****	1000	0.0027	12.5	9.5	5.0	10.0	0.6	CB21272-3C40****	500
0.0033	10.2	9.0	5.0	7.5	0.6	CB21332-3A30****	1000	0.0033	12.5	10.5	5.0	10.0	0.6	CB21332-3C40****	500
0.0039	10.2	9.5	5.5	7.5	0.6	CB21392-3A30****	1000	0.0039	12.5	11.0	5.5	10.0	0.6	CB21392-3C40****	500
0.0047	10.2	11.0	5.0	7.5	0.6	CB21472-3A30****	1000	0.0047	12.5	11.5	6.0	10.0	0.6	CB21472-3C40****	500
0.0022	12.5	8.0	4.0	10.0	0.6	CB21222-3A40****	500	0.0015	17.5	9.0	4.5	15.0	0.6	CB21152-3C60****	500
0.0027	12.5	8.0	4.0	10.0	0.6	CB21272-3A40****	500	0.0018	17.5	10.0	4.5	15.0	0.6	CB21182-3C60****	500
0.0033	12.5	8.0	4.0	10.0	0.6	CB21332-3A40****	500	0.0022	17.5	10.5	5.0	15.0	0.6	CB21222-3C60****	500
0.0039	12.5	8.0	4.0	10.0	0.6	CB21392-3A40****	500	0.0027	17.5	10.0	4.5	15.0	0.6	CB21272-3C60****	500
0.0047	12.5	8.5	4.5	10.0	0.6	CB21472-3A40****	500	0.0033	17.5	10.0	4.5	15.0	0.6	CB21332-3C60****	500
0.0056	12.5	9.5	4.5	10.0	0.6	CB21562-3A40****	500	0.0039	17.5	10.5	4.5	15.0	0.6	CB21392-3C60****	500
0.0068	12.5	10.0	5.0	10.0	0.6	CB21682-3A40****	500	0.0047	17.5	10.0	4.5	15.0	0.6	CB21472-3C60****	500
0.0082	12.5	10.5	5.5	10.0	0.6	CB21822-3A40****	500	0.0056	17.5	10.0	4.5	15.0	0.6	CB21562-3C60****	500
0.01	12.5	11.0	6.0	10.0	0.6	CB21103-3A40****	500	0.0068	17.5	10.5	4.5	15.0	0.6	CB21682-3C60****	500
0.012	12.5	12.0	6.0	10.0	0.6	CB21123-3A40****	500	0.0082	17.5	11.0	5.0	15.0	0.6	CB21822-3C60****	500
0.01	17.5	10.0	4.0	15.0	0.6	CB21103-3A60****	500	0.01	17.5	11.5	5.5	15.0	0.6	CB21103-3C60****	500
0.012	17.5	10.5	4.5	15.0	0.6	CB21123-3A60****	500	0.012	17.5	12.0	6.0	15.0	0.8	CB21123-3C60****	500
0.015	17.5	10.5	5.0	15.0	0.6	CB21153-3A60****	500	0.015	17.5	12.5	7.0	15.0	0.8	CB21153-3C60****	500
0.018	17.5	11.0	5.5	15.0	0.6	CB21183-3A60****	500	0.018	17.5	13.0	7.5	15.0	0.8	CB21183-3C60****	500
0.022	17.5	11.5	6.0	15.0	0.6	CB21223-3A60****	500	0.022	17.5	14.0	8.5	15.0	0.8	CB21223-3C60****	500
0.027	17.5	12.5	6.5	15.0	0.8	CB21273-3A60****	500	0.027	17.5	15.0	9.5	15.0	0.8	CB21273-3C60****	500
0.033	17.5	14.0	6.5	15.0	0.8	CB21333-3A60****	500	0.033	17.5	17.0	9.5	15.0	0.8	CB21333-3C60****	500
0.039	17.5	14.5	7.5	15.0	0.8	CB21393-3A60****	500	0.039	17.5	18.0	10.5	15.0	0.8	CB21393-3C60****	500
0.047	17.5	15.5	8.0	15.0	0.8	CB21473-3A60****	500	0.0068	25.5	13.0	6.0	22.5	0.8	CB21682-3C90****	500
0.056	17.5	16.0	9.0	15.0	0.8	CB21563-3A60****	500	0.0082	25.5	13.5	6.5	22.5	0.8	CB21822-3C90****	500
0.068	17.5	17.0	10.0	15.0	0.8	CB21683-3A60****	500	0.01	25.5	13.0	6.0	22.5	0.8	CB21103-3C90****	500
0.039	25.5	12.5	5.5	22.5	0.8	CB21393-3A90****	500	0.012	25.5	13.0	5.5	22.5	0.8	CB21123-3C90****	500
0.047	25.5	13.5	6.0	22.5	0.8	CB21473-3A90****	500	0.015	25.5	13.0	5.5	22.5	0.8	CB21153-3C90****	500
0.056	25.5	14.0	6.5	22.5	0.8	CB21563-3A90****	500	0.018	25.5	13.5	6.0	22.5	0.8	CB21183-3C90****	500
0.068	25.5	14.5	7.0	22.5	0.8	CB21683-3A90****	500	0.022	25.5	13.0	6.0	22.5	0.8	CB21223-3C90****	500
0.082	25.5	15.5	8.0	22.5	0.8	CB21823-3A90****	500	0.027	25.5	14.0	6.5	22.5	0.8	CB21273-3C90****	500
0.1	25.5	17.0	8.5	22.5	0.8	CB21104-3A90****	500	0.033	25.5	15.5	7.0	22.5	0.8	CB21333-3C90****	500
0.12	25.5	18.0	9.0	22.5	0.8	CB21124-3A90****	500	0.039	25.5	16.0	7.5	22.5	0.8	CB21393-3C90****	500
0.15	25.5	19.0	10.5	22.5	0.8	CB21154-3A90****	200	0.047	25.5	17.0	8.5	22.5	0.8	CB21473-3C90****	500
0.18	25.5	20.5	11.5	22.5	0.8	CB21184-3A90****	200	0.056	25.5	18.0	9.0	22.5	0.8	CB21563-3C90****	500
0.22	25.5	21.5	13.0	22.5	0.8	CB21224-3A90****	200	0.068	25.5	19.0	10.0	22.5	0.8	CB21683-3C90****	500
0.27	25.5	23.5	15.0	22.5	0.8	CB21274-3A90****	200	0.082	25.5	20.0	11.5	22.5	0.8	CB21823-3C90****	200
0.33	25.5	25.5	16.5	22.5	0.8	CB21334-3A90****	200	0.1	25.5	21.5	12.5	22.5	0.8	CB21104-3C90****	200

备注:

“-”: 客户要求的容量偏差

“\*\*\*\*”: 引线加工和包装代码 (见 15 页表 4)

“▲”: 额定电压为 1250V 时, 第 9~10 位为 3B

MOQ: 最小订量

“-”=custom's capacitor tolerance code, J=±5%, K=±10%, M=±20%

“\*\*\*\*”= Lead form and packing code (refer to table 4 in page 15)

“▲”=when the rated voltage is 1250Vdc, the digit 9~10 is 3B

MOQ = Minimum order quantity



# CBB21

CBB21 series

◆ 产品尺寸: Special Product Dimension:

2000Vdc (700Vac)															
C ( $\mu$ F)	W	H	T	P	d	产品代码 Part number	MOQ	C ( $\mu$ F)	W	H	T	P	d	产品代码 Part number	MOQ
0.00047	12.5	8.0	4.0	10.0	0.6	CB21471-3D40****	500	0.0082	17.5	12.5	6.5	15.0	0.8	CB21822-3D60****	500
0.00056	12.5	8.5	4.5	10.0	0.6	CB21561-3D40****	500	0.01	17.5	13.0	7.5	15.0	0.8	CB21103-3D60****	500
0.00068	12.5	8.0	4.0	10.0	0.6	CB21681-3D40****	500	0.012	17.5	13.5	8.0	15.0	0.8	CB21123-3D60****	500
0.00082	12.5	8.0	4.0	10.0	0.6	CB21821-3D40****	500	0.015	17.5	14.5	9.0	15.0	0.8	CB21153-3D60****	500
0.001	12.5	8.5	4.5	10.0	0.6	CB21102-3D40****	500	0.018	17.5	16.5	9.0	15.0	0.8	CB21183-3D60****	500
0.0012	12.5	8.5	4.5	10.0	0.6	CB21122-3D40****	500	0.022	17.5	17.5	10.5	15.0	0.8	CB21223-3D60****	500
0.0015	12.5	9.5	5.0	10.0	0.6	CB21152-3D40****	500	0.0068	25.5	13.0	6.0	22.5	0.8	CB21682-3D90****	500
0.0018	12.5	10.5	5.0	10.0	0.6	CB21182-3D40****	500	0.0082	25.5	13.5	6.5	22.5	0.8	CB21822-3D90****	500
0.0022	12.5	11.0	5.5	10.0	0.6	CB21222-3D40****	500	0.01	25.5	13.0	6.0	22.5	0.8	CB21103-3D90****	500
0.0027	12.5	11.5	6.0	10.0	0.6	CB21272-3D40****	500	0.012	25.5	13.0	5.5	22.5	0.8	CB21123-3D90****	500
0.0033	12.5	12.0	6.5	10.0	0.6	CB21332-3D40****	500	0.015	25.5	13.5	6.5	22.5	0.8	CB21153-3D90****	500
0.0015	17.5	9.0	4.5	15.0	0.6	CB21152-3D60****	500	0.018	25.5	14.0	7.0	22.5	0.8	CB21183-3D90****	500
0.0018	17.5	10.0	4.5	15.0	0.6	CB21182-3D60****	500	0.022	25.5	15.0	8.0	22.5	0.8	CB21223-3D90****	500
0.0022	17.5	10.5	5.0	15.0	0.6	CB21222-3D60****	500	0.027	25.5	17.0	8.0	22.5	0.8	CB21273-3D90****	500
0.0027	17.5	10.0	4.5	15.0	0.6	CB21272-3D60****	500	0.033	25.5	18.0	9.0	22.5	0.8	CB21333-3D90****	500
0.0033	17.5	10.0	4.5	15.0	0.6	CB21332-3D60****	500	0.039	25.5	19.0	10.0	22.5	0.8	CB21393-3D90****	500
0.0039	17.5	10.5	4.5	15.0	0.6	CB21392-3D60****	500	0.047	25.5	20.0	11.0	22.5	0.8	CB21473-3D90****	200
0.0047	17.5	10.5	5.0	15.0	0.6	CB21472-3D60****	500	0.056	25.5	21.0	12.0	22.5	0.8	CB21563-3D90****	200
0.0056	17.5	11.0	5.5	15.0	0.6	CB21562-3D60****	500	0.068	25.5	22.5	13.5	22.5	0.8	CB21683-3D90****	200
0.0068	17.5	11.5	6.0	15.0	0.8	CB21682-3D60****	500	0.082	25.5	24.0	15.0	22.5	0.8	CB21823-3D90****	200

备注:

“-”: 客户要求的容量偏差

“\*\*\*\*”: 引线加工和包装代码 (见 15 页表 4)

MOQ: 最小订单量

“-”=custom's capacitor tolerance code, J=±5%, K=±10%, M=±20%

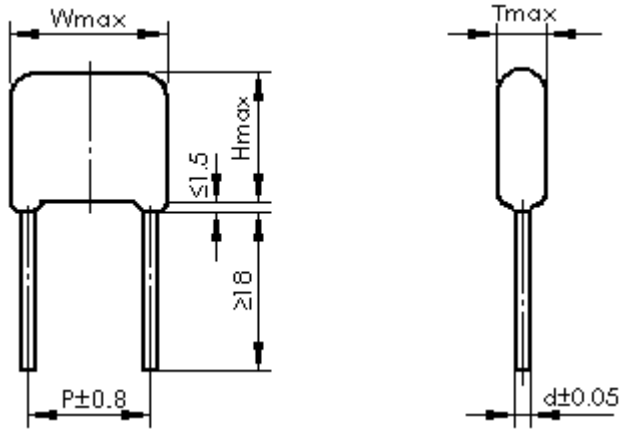
“\*\*\*\*”= Lead form and packing code (refer to table 4 in page 15)

MOQ = Minimum order quantity



## CBB21L 型金属化聚丙烯膜电容器（浸渍型） Metallized Polypropylene Film Capacitor (Dipped)

### ◆ 外形尺寸图及产品结构 Outline Drawing and Capacitor Construction



### ◆ 特点及用途 Application and Feature

金属化聚丙烯薄膜，电性能良好，适用于开关电源、电子镇流器和变频器等直流滤波(PFC、DC-Link 等)。  
Metallized polypropylene film, excellent electric property. Suitable for the DC filter, DC-blocking circuit (PFC, DC-Link).

### ◆ 技术要求 Specifications

参照标准 Reference Standard	GB 10190、IEC 60384-16
气候类别 Climatic Category	40/105/21
工作温度范围 Operation Temperature Range	-40℃~105℃
额定温度 Rated Temperature	85℃
额定电压 Rated Voltage	250/400Vdc/450Vdc、520/630Vdc
电容量范围 Capacitance Range	0.047μF~1.0μF
电容量偏差 Capacitance Tolerance	±5%(J)、±10%(K)、±20%(M) (20℃, 1kHz)
耐电压 Voltage Proof	U=1.6U <sub>R</sub> (20℃, 5s)
绝缘电阻 Insulation Resistance	C <sub>R</sub> ≤0.33μF, IR≥100 000MΩ C <sub>R</sub> >0.33μF, IR×C≥30 000s (20℃, 100Vdc, 1min)
损耗角正切 Dissipation Factor	≤0.0010 (1kHz, 20℃) ≤0.0020 (10kHz, 20℃) (C <sub>R</sub> ≤1μF)
最大脉冲爬升斜率 Max dV/dt	200 V/μs
说明：电容器的工作电压随温度上升而下降，在 85~105℃之间，以 85℃为基准，环境温度每上升 1℃，电容器的额定工作电压应降低 1.25%。 Note: The working voltage of the capacitor decreases as the temperature rises. between 85~105℃, take 85℃ as the base, the temperature rises 1℃, the rated working voltage of the capacitor decreases 1.25%.	





# CBB21L

## CBB21L series

### ◆ 产品尺寸: Product Dimension:

250 <sup>▲</sup> /400/450Vdc <sup>▲</sup>								520 <sup>▲</sup> /630Vdc							
C (μF)	W	H	T	P	d	产品代码 Part number	MOQ	C (μF)	W	H	T	P	d	产品代码 Part number	MOQ
0.047	9.8	7.1	3.5	7.5	0.5	CB21473-2G3L****	1000	0.0220	9.8	7.6	3.9	7.5	0.5	CB21223-2J3L****	1000
0.056	9.8	7.5	3.7	7.5	0.5	CB21563-2G3L****	1000	0.0270	9.8	7.6	3.9	7.5	0.5	CB21273-2J3L****	1000
0.068	9.8	7.5	3.7	7.5	0.5	CB21683-2G3L****	1000	0.0330	9.8	7.6	3.9	7.5	0.5	CB21333-2J3L****	1000
0.082	9.8	7.5	3.7	7.5	0.5	CB21823-2G3L****	1000	0.0390	9.8	7.6	3.9	7.5	0.5	CB21393-2J3L****	1000
0.1	9.8	7.6	3.7	7.5	0.5	CB21104-2G3L****	1000	0.0470	9.8	7.6	3.9	7.5	0.5	CB21473-2J3L****	1000
0.12	9.8	7.9	4.0	7.5	0.5	CB21124-2G3L****	1000	0.0560	9.8	7.6	3.9	7.5	0.5	CB21563-2J3L****	1000
0.15	9.8	8.3	4.4	7.5	0.5	CB21154-2G3L****	1000	0.0680	9.8	7.6	4.0	7.5	0.5	CB21683-2J3L****	1000
0.18	9.8	9.0	4.5	7.5	0.5	CB21184-2G3L****	1000	0.0820	9.8	8.0	4.0	7.5	0.5	CB21823-2J3L****	1000
0.22	9.8	10.0	4.7	7.5	0.5	CB21224-2G3L****	1000	0.1000	9.8	8.4	4.4	7.5	0.5	CB21104-2J3L****	1000
0.1	12.3	7.5	3.5	10.0	0.6	CB21104-2G4L****	500	0.1200	9.8	9.3	4.5	7.5	0.5	CB21124-2J3L****	1000
0.12	12.3	7.5	3.5	10.0	0.6	CB21124-2G4L****	500	0.1500	9.8	9.8	5.0	7.5	0.5	CB21154-2J3L****	1000
0.15	12.3	7.8	3.8	10.0	0.6	CB21154-2G4L****	500	0.1800	9.8	11.0	5.3	7.5	0.5	CB21184-2J3L****	1000
0.18	12.3	8.0	4.0	10.0	0.6	CB21184-2G4L****	500	0.2200	9.8	11.5	6.0	7.5	0.5	CB21224-2J3L****	1000
0.22	12.3	8.5	4.5	10.0	0.6	CB21224-2G4L****	500	0.1000	12.3	7.8	3.7	10.0	0.6	CB21104-2J4L****	500
0.27	12.3	8.8	5.0	10.0	0.6	CB21274-2G4L****	500	0.1200	12.3	8.0	4.0	10.0	0.6	CB21124-2J4L****	500
0.33	12.3	9.3	5.4	10.0	0.6	CB21334-2G4L****	500	0.1500	12.3	8.5	4.4	10.0	0.6	CB21154-2J4L****	500
0.39	12.3	10.7	5.2	10.0	0.6	CB21394-2G4L****	500	0.1800	12.3	9.4	4.5	10.0	0.6	CB21184-2J4L****	500
0.47	12.3	11.1	5.7	10.0	0.6	CB21474-2G4L****	500	0.2200	12.3	9.8	5.0	10.0	0.6	CB21224-2J4L****	500
0.56	12.3	12.5	6.3	10.0	0.6	CB21564-2G4L****	500	0.2700	12.3	10.9	5.2	10.0	0.6	CB21274-2J4L****	500
0.47	17.5	10.4	4.5	15.0	0.6	CB21474-2G6L****	500	0.3300	12.3	11.4	5.8	10.0	0.6	CB21334-2J4L****	500
0.56	17.5	11.0	5.0	15.0	0.6	CB21564-2G6L****	500	0.3900	12.3	13.3	6.0	10.0	0.6	CB21394-2J4L****	500
0.68	17.5	11.5	5.5	15.0	0.6	CB21684-2G6L****	500	0.4700	12.3	13.9	6.6	10.0	0.6	CB21474-2J4L****	500
0.82	17.5	12.3	6.0	15.0	0.6	CB21824-2G6L****	500	0.3300	17.5	11.0	5.2	15.0	0.6	CB21334-2J6L****	500
1.0	17.5	12.9	6.5	15.0	0.6	CB21105-2G6L****	500	0.4700	17.5	11.2	5.4	15.0	0.6	CB21474-2J6L****	500
								0.5600	17.5	11.6	5.9	15.0	0.6	CB21564-2J6L****	500
								0.6800	17.5	13.3	6.0	15.0	0.6	CB21684-2J6L****	500
								0.8200	17.5	13.9	6.6	15.0	0.6	CB21824-2J6L****	500
								1.0000	17.5	14.6	7.4	15.0	0.6	CB21105-2J6L****	500

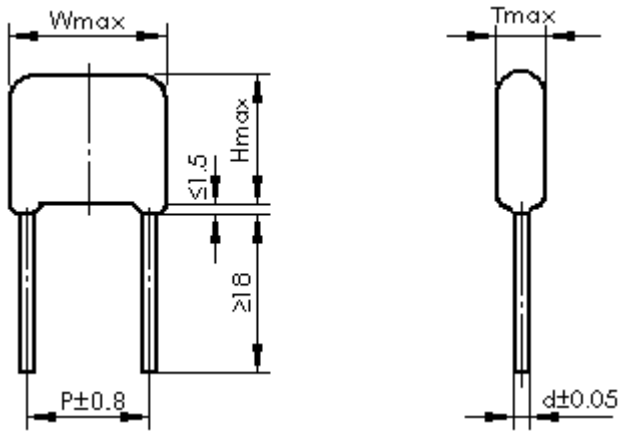
备注:

- “-”: 客户要求的容量偏差
  - “\*\*\*\*”: 引线加工和包装代码 (见 15 页表 4)
  - “▲”: 额定电压为 250V 时, 第 9~10 位为 2E
  - “▲”: 额定电压为 450V 时, 第 9~10 位为 2S
  - “▲”: 额定电压为 520V 时, 第 9~10 位为 2T
- MOQ: 最小订单量

- “-”=custom's capacitor tolerance code, J=±5%, K=±10%, M=±20%
  - “\*\*\*\*”= Lead form and packing code (refer to table 4 in page 15)
  - “▲”=when the rated voltage is 250Vdc, the digit 9~10 is 2E
  - “▲”=when the rated voltage is 450Vdc, the digit 9~10 is 2S
  - “▲”=when the rated voltage is 520Vdc, the digit 9~10 is 2T
- MOQ = Minimum order quantity

## CBB22 型小型化金属化聚丙烯薄膜电容器（浸渍型） Miniaturized Metallized Polypropylene Film Capacitor (Dipped)

### ◆ 外形尺寸图及产品结构 Outline Drawing and Capacitor Construction



### ◆ 特点及用途 Application and Feature

耐压高、绝缘电阻高、体积小、内部温升小，适用于直流、交流、高频和脉冲电路。

High-voltage proof, high insulation resistance, small size, small inherent temperature rise. Suitable for the high frequency, DC, AC, pulse circuits.

### ◆ 技术要求 Specifications

参照标准 Reference Standard	GB/T 10190、IEC 60384-16
气候类别 Climatic Category	40/105/21
工作温度范围 Operation Temperature Range	-40℃~105℃
额定温度 Rated Temperature	85℃
额定电压 Rated Voltage	250Vdc、400Vdc/450Vdc、520Vdc、630Vdc
电容量范围 Capacitance Range	0.01μF~3.3μF
电容量偏差 Capacitance Tolerance	±5%(J)、±10%(K)、±20%(M) (20℃, 1kHz)
耐电压 Voltage Proof	U=1.5UR (20℃, 5s)
绝缘电阻 Insulation Resistance	CR≤0.33μF, IR≥100 000MΩ CR>0.33μF, IR×C≥30 000s (20℃, 100Vdc, 1min)
损耗角正切 Dissipation Factor	≤0.0010 (1kHz, 20℃)
<p>说明：电容器的工作电压随温度上升而下降，在 85~105℃之间，以 85℃为基准，环境温度每上升 1℃，电容器的额定工作电压应降低 1.25%。</p> <p>Note: The working voltage of the capacitor decreases as the temperature rises. between 85~105℃,take 85℃ as the base, the temperature rises 1℃,the rated working voltage of the capacitor decreases 1.25%.</p>	

### ◆ 最大电压脉冲斜率：Max dv/dt (V/μs)

额定电压 (V)	dv/dt(V/μs)			
	P=7.5mm	P=10.0mm	P=15.0mm	P=22.5mm
250	240	185	120	55
400	300	230	180	90
520	360	290	220	110
630	480	380	250	140



# CBB22

## CBB22 series

### ◆ 产品尺寸: Product Dimension:

250Vdc								400Vdc/420Vdc <sup>▲</sup> /450Vdc <sup>▲</sup>							
C (μF)	W	H	T	P	d	产品代码 Part number	MOQ	C (μF)	W	H	T	P	d	产品代码 Part number	MOQ
0.047	9.8	7.3	3.3	7.5	0.6	CB22473-2E30****	1000	0.033	9.8	7.4	3.3	7.5	0.6	CB22333-2G30****	1000
0.0560	9.8	7.5	3.4	7.5	0.6	CB22563-2E30****	1000	0.039	9.8	7.6	3.6	7.5	0.6	CB22393-2G30****	1000
0.068	9.8	7.8	3.7	7.5	0.6	CB22683-2E30****	1000	0.047	9.8	7.9	3.9	7.5	0.6	CB22473-2G30****	1000
0.082	9.8	8.1	4.1	7.5	0.6	CB22823-2E30****	1000	0.056	9.8	8.3	4.2	7.5	0.6	CB22563-2G30****	1000
0.1	9.8	9.0	4.2	7.5	0.6	CB22104-2E30****	1000	0.068	9.8	8.7	4.6	7.5	0.6	CB22683-2G30****	1000
0.12	9.8	9.4	4.6	7.5	0.6	CB22124-2E30****	1000	0.082	9.8	9.1	5.0	7.5	0.6	CB22823-2G30****	1000
0.15	9.8	10.4	4.8	7.5	0.6	CB22154-2E30****	1000	0.1	9.8	9.6	5.5	7.5	0.6	CB22104-2G30****	1000
0.056	12.3	7.7	3.7	10.0	0.6	CB22563-2E40****	500	0.047	12.3	8.3	4.3	10.0	0.6	CB22473-2G40****	500
0.068	12.3	8.0	4.0	10.0	0.6	CB22683-2E40****	500	0.056	12.3	7.7	3.7	10.0	0.6	CB22563-2G40****	500
0.082	12.3	8.4	4.4	10.0	0.6	CB22823-2E40****	500	0.068	12.3	8.0	4.0	10.0	0.6	CB22683-2G40****	500
0.1	12.3	7.9	3.9	10.0	0.6	CB22104-2E40****	500	0.082	12.3	8.4	4.4	10.0	0.6	CB22823-2G40****	500
0.12	12.3	8.8	3.9	10.0	0.6	CB22124-2E40****	500	0.1	12.3	9.3	4.5	10.0	0.6	CB22104-2G40****	500
0.15	12.3	9.7	4.1	10.0	0.6	CB22154-2E40****	500	0.12	12.3	10.3	4.6	10.0	0.6	CB22124-2G40****	500
0.18	12.3	10.1	4.5	10.0	0.6	CB22184-2E40****	500	0.15	12.3	10.8	5.2	10.0	0.6	CB22154-2G40****	500
0.22	12.3	10.6	5.0	10.0	0.6	CB22224-2E40****	500	0.18	12.3	11.3	5.7	10.0	0.6	CB22184-2G40****	500
0.22	17.5	9.2	4.3	15.0	0.6	CB22224-2E60****	500	0.1	17.5	10.1	4.4	15.0	0.6	CB22104-2G60****	500
0.27	17.5	10.2	4.5	15.0	0.6	CB22274-2E60****	500	0.12	17.5	10.5	4.7	15.0	0.6	CB22124-2G60****	500
0.33	17.5	10.6	4.9	15.0	0.6	CB22334-2E60****	500	0.15	17.5	10.0	4.3	15.0	0.6	CB22154-2G60****	500
0.39	17.5	11.1	5.4	15.0	0.6	CB22394-2E60****	500	0.18	17.5	10.3	4.6	15.0	0.6	CB22184-2G60****	500
0.47	17.5	11.6	5.9	15.0	0.6	CB22474-2E60****	500	0.22	17.5	10.8	5.1	15.0	0.6	CB22224-2G60****	500
0.56	17.5	13.2	5.9	15.0	0.6	CB22564-2E60****	500	0.27	17.5	11.3	5.6	15.0	0.6	CB22274-2G60****	500
0.68	17.5	13.8	6.5	15.0	0.8	CB22684-2E60****	500	0.33	17.5	13.0	5.7	15.0	0.6	CB22334-2G60****	500
0.82	17.5	14.5	7.2	15.0	0.8	CB22824-2E60****	500	0.39	17.5	13.5	6.2	15.0	0.8	CB22394-2G60****	500
1	17.5	15.3	8.1	15.0	0.8	CB22105-2E60****	500	0.47	17.5	14.1	6.8	15.0	0.8	CB22474-2G60****	500
1	25.5	13.7	6.4	22.5	0.8	CB22105-2E90****	500	0.56	17.5	14.8	7.5	15.0	0.8	CB22564-2G60****	500
1.2	25.5	14.4	7.1	22.5	0.8	CB22125-2E90****	500	0.68	17.5	15.6	8.4	15.0	0.8	CB22684-2G60****	500
1.5	25.5	15.3	8.0	22.5	0.8	CB22155-2E90****	500	0.82	17.5	16.5	9.3	15.0	0.8	CB22824-2G60****	500
1.8	25.5	17.1	8.2	22.5	0.8	CB22185-2E90****	500	0.47	25.5	12.8	5.6	22.5	0.8	CB22474-2G90****	500
2.2	25.5	18.1	9.2	22.5	0.8	CB22225-2E90****	500	0.56	25.5	13.4	6.1	22.5	0.8	CB22564-2G90****	500
2.7	25.5	19.2	10.4	22.5	0.8	CB22275-2E90****	200	0.68	25.5	14.0	6.7	22.5	0.8	CB22684-2G90****	500
3.3	25.5	20.5	11.7	22.5	0.8	CB22335-2E90****	200	0.82	25.5	14.7	7.5	22.5	0.8	CB22824-2G90****	500
								1	25.5	16.6	7.7	22.5	0.8	CB22105-2G90****	500
								1.2	25.5	17.4	8.6	22.5	0.8	CB22125-2G90****	500
								1.5	25.5	18.6	9.7	22.5	0.8	CB22155-2G90****	500

备注:

“-”: 客户要求的容量偏差

“\*\*\*\*”: 引线加工和包装代码 (见 15 页表 4)

“▲”: 额定电压为 420Vdc 时, 第 9~10 位为 3R

“▲”: 额定电压为 450Vdc 时, 第 9~10 位为 2S

MOQ: 最小订单量

“-”=custom's capacitor tolerance code, J=±5%, K=±10%, M=±20%

“\*\*\*\*”= Lead form and packing code (refer to table 4 in page 15)

“▲”=when the rated voltage is 420Vdc, the digit 9~10 is 3R

“▲”=when the rated voltage is 450Vdc, the digit 9~10 is 2S

MOQ = Minimum order quantity

◆ 产品尺寸: Product Dimension:

520Vdc								630Vdc							
C (μF)	W	H	T	P	d	产品代码 Part number	MOQ	C (μF)	W	H	T	P	d	产品代码 Part number	MOQ
0.015	9.8	7.6	3.6	7.5	0.6	CB22153-2T30****	1000	0.01	9.8	7.8	3.8	7.5	0.6	CB22103-2J30****	1000
0.022	9.8	7.7	3.6	7.5	0.6	CB22223-2T30****	1000	0.012	9.8	7.7	3.7	7.5	0.6	CB22123-2J30****	1000
0.027	9.8	8.5	3.7	7.5	0.6	CB22273-2T30****	1000	0.015	9.8	7.7	3.7	7.5	0.6	CB22153-2J30****	1000
0.033	9.8	8.9	4.1	7.5	0.6	CB22333-2T30****	1000	0.018	9.8	7.9	3.8	7.5	0.6	CB22183-2J30****	1000
0.039	9.8	9.2	4.4	7.5	0.6	CB22393-2T30****	1000	0.022	9.8	8.2	4.2	7.5	0.6	CB22223-2J30****	1000
0.047	9.8	9.6	4.8	7.5	0.6	CB22473-2T30****	1000	0.027	9.8	9.1	4.3	7.5	0.6	CB22273-2J30****	1000
0.056	9.8	10.1	5.2	7.5	0.6	CB22563-2T30****	1000	0.033	9.8	9.6	4.7	7.5	0.6	CB22333-2J30****	1000
0.033	12.3	7.7	3.7	10.0	0.6	CB22333-2T40****	500	0.022	12.3	8.1	4.0	10.0	0.6	CB22223-2J40****	500
0.039	12.3	8.0	4.0	10.0	0.6	CB22393-2T40****	500	0.027	12.3	7.9	3.9	10.0	0.6	CB22273-2J40****	500
0.047	12.3	8.9	4.0	10.0	0.6	CB22473-2T40****	500	0.033	12.3	8.8	4.0	10.0	0.6	CB22333-2J40****	500
0.056	12.3	9.2	4.4	10.0	0.6	CB22563-2T40****	500	0.039	12.3	9.1	4.3	10.0	0.6	CB22393-2J40****	500
0.068	12.3	9.6	4.8	10.0	0.6	CB22683-2T40****	500	0.047	12.3	9.5	4.7	10.0	0.6	CB22473-2J40****	500
0.082	12.3	10.1	5.3	10.0	0.6	CB22823-2T40****	500	0.056	12.3	9.9	5.1	10.0	0.6	CB22563-2J40****	500
0.1	12.3	11.1	5.5	10.0	0.6	CB22104-2T40****	500	0.068	12.3	10.5	5.6	10.0	0.6	CB22683-2J40****	500
0.12	12.3	11.7	6.1	10.0	0.6	CB22124-2T40****	500	0.082	12.3	11.5	5.9	10.0	0.6	CB22823-2J40****	500
0.15	12.3	12.4	6.8	10.0	0.6	CB22154-2T40****	500	0.1	12.3	12.1	6.5	10.0	0.6	CB22104-2J40****	500
0.18	12.3	13.1	7.5	10.0	0.6	CB22184-2T40****	500	0.068	17.5	10.1	4.4	15.0	0.6	CB22683-2J60****	500
0.1	17.5	10.1	4.4	15.0	0.6	CB22104-2T60****	500	0.082	17.5	10.3	4.6	15.0	0.6	CB22823-2J60****	500
0.12	17.5	10.5	4.7	15.0	0.6	CB22124-2T60****	500	0.1	17.5	10.8	5.1	15.0	0.6	CB22104-2J60****	500
0.15	17.5	11.0	5.3	15.0	0.6	CB22154-2T60****	500	0.12	17.5	11.3	5.5	15.0	0.6	CB22124-2J60****	500
0.18	17.5	11.5	5.8	15.0	0.6	CB22184-2T60****	500	0.15	17.5	12.9	5.7	15.0	0.6	CB22154-2J60****	500
0.22	17.5	13.1	5.8	15.0	0.6	CB22224-2T60****	500	0.18	17.5	13.5	6.2	15.0	0.8	CB22184-2J60****	500
0.27	17.5	13.8	6.5	15.0	0.8	CB22274-2T60****	500	0.22	17.5	14.2	6.9	15.0	0.8	CB22224-2J60****	500
0.33	17.5	14.5	7.2	15.0	0.8	CB22334-2T60****	500	0.27	17.5	15.0	7.7	15.0	0.8	CB22274-2J60****	500
0.39	17.5	15.2	7.9	15.0	0.8	CB22394-2T60****	500	0.33	17.5	15.9	8.6	15.0	0.8	CB22334-2J60****	500
0.47	17.5	16.1	8.8	15.0	0.8	CB22474-2T60****	500	0.39	17.5	16.7	9.4	15.0	0.8	CB22394-2J60****	500
0.22	25.5	12.7	5.4	22.5	0.8	CB22224-2T90****	500	0.22	25.5	12.8	5.5	22.5	0.8	CB22224-2J90****	500
0.27	25.5	13.2	5.9	22.5	0.8	CB22274-2T90****	500	0.27	25.5	13.4	6.1	22.5	0.8	CB22274-2J90****	500
0.33	25.5	12.8	5.6	22.5	0.8	CB22334-2T90****	500	0.33	25.5	14.0	6.8	22.5	0.8	CB22334-2J90****	500
0.39	25.5	13.3	6.1	22.5	0.8	CB22394-2T90****	500	0.39	25.5	14.7	7.4	22.5	0.8	CB22394-2J90****	500
0.47	25.5	14.0	6.7	22.5	0.8	CB22474-2T90****	500	0.47	25.5	15.4	8.2	22.5	0.8	CB22474-2J90****	500
0.56	25.5	15.7	6.8	22.5	0.8	CB22564-2T90****	500	0.56	25.5	17.2	8.4	22.5	0.8	CB22564-2J90****	500
0.68	25.5	16.4	7.6	22.5	0.8	CB22684-2T90****	500	0.68	25.5	18.2	9.4	22.5	0.8	CB22684-2J90****	500
0.82	25.5	17.3	8.4	22.5	0.8	CB22824-2T90****	500	0.82	25.5	19.2	10.4	22.5	0.8	CB22824-2J90****	200
1	25.5	18.3	9.4	22.5	0.8	CB22105-2T90****	500	1	25.5	20.5	11.6	22.5	0.8	CB22105-2J90****	200

备注:

“-”: 客户要求的容量偏差

“\*\*\*\*”: 引线加工和包装代码 (见 15 页表 4)

MOQ: 最小订单量

“-”=custom's capacitor tolerance code, J=±5%, K=±10%, M=±20%

“\*\*\*\*”= Lead form and packing code (refer to table 4 in page 15)

MOQ = Minimum order quantity

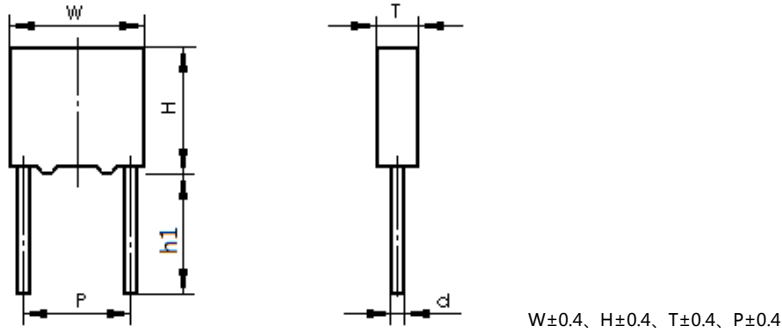


CBB24  
CBB24 series

## CBB24 型盒式金属化聚丙烯薄膜电容器

### Metallized Polypropylene Film Capacitor (Box-Type)

#### ◆ 外形尺寸图及产品结构 Outline Drawing and Capacitor Construction



#### ◆ 特点及用途 Application and Feature

耐压高、绝缘电阻高、内部温升小，适用于直流、交流、高频、谐振和脉冲电路。

High-voltage proof, high insulation resistance, Small inherent temperature rise. Suitable for the high frequency, resonance, DC, AC, pulse circuits.

#### ◆ 技术要求 Specifications

参照标准 Reference Standard	GB/T 10190、IEC 60384-16
气候类别 Climatic Category	40/105/56
工作温度范围 Operation Temperature Range	-40℃~110℃ (+85℃~+110℃: decreasing factor 1.25% per℃ for $U_R$ )
额定温度 Rated Temperature	85℃
额定电压 Rated Voltage	160Vdc/90Vac、250Vdc/160Vac、400Vdc/450Vdc/220Vac、630Vdc/250Vac、 1000Vdc/1250Vdc /400Vac、1600Vdc/600Vac、2000Vdc/700Vac
电容量范围 Capacitance Range	0.00047μF~15.0μF
电容量偏差 Capacitance Tolerance	±5%(J)、±10%(K)、±20%(M) (20℃, 1kHz)
耐电压 Voltage Proof	$U=1.6U_R$ (20℃, 5s)
绝缘电阻 Insulation Resistance	$C_R \leq 0.33\mu F, IR \geq 100\ 000M\Omega$ $C_R > 0.33\mu F, IR \times C \geq 30\ 000s$ (20℃, 100V, 1min)
损耗角正切 Dissipation Factor	$\leq 0.0010$ (1kHz, 20℃)
	$\leq 0.0020$ (10kHz, 20℃) ( $C_R \leq 1\mu F$ )

#### ◆ 最大电压脉冲斜率: Max dv/dt (V/μs)

额定电压 (Vdc)	Max dv/dt (V/μs)				
	P=7.5	P=10.0	P=15.0	P=22.5	P=27.5
160	310	190	110	70	55
250	660	560	310	130	110
400/450	900	780	600	300	130
630	1 500	1 200	900	400	200
1000/1250	2 300	2 200	2 000	800	300
1600	/	6 000	4 500	2 400	/
2000	/	/	9 500	6 000	/

◆ 产品尺寸: Product Dimension:

160Vdc (90Vac)															
C (μF)	W	H	T	P	d	产品代码 Part number	MOQ	C (μF)	W	H	T	P	d	产品代码 Part number	MOQ
0.033	10.5	9.0	4.0	7.5	0.6	CB24333-2C30****	1000	0.68	18.0	13.5	7.5	15.0	0.8	CB24684-2C60****	500
0.039	10.5	9.0	4.0	7.5	0.6	CB24393-2C30****	1000	0.82	18.0	14.5	8.5	15.0	0.8	CB24824-2C60****	500
0.047	10.5	9.0	4.0	7.5	0.6	CB24473-2C30****	1000	1.0	18.0	16.0	10.0	15.0	0.8	CB24105-2C60****	500
0.056	10.5	9.0	4.0	7.5	0.6	CB24563-2C30****	1000	1.2	18.0	16.0	10.0	15.0	0.8	CB24125-2C60****	500
0.068	10.5	9.0	4.0	7.5	0.6	CB24683-2C30****	1000	1.5	18.0	19.0	11.0	15.0	0.8	CB24155-2C60****	200
0.082	10.5	9.0	4.0	7.5	0.6	CB24823-2C30****	1000	0.27	26.5	15.0	6.0	22.5	0.8	CB24274-2C90****	500
0.10	10.5	11.0	5.0	7.5	0.6	CB24104-2C30****	1000	0.33	26.5	15.0	6.0	22.5	0.8	CB24334-2C90****	500
0.12	10.5	11.0	5.0	7.5	0.6	CB24124-2C30****	1000	0.39	26.5	15.0	6.0	22.5	0.8	CB24394-2C90****	500
0.15	10.5	11.0	5.0	7.5	0.6	CB24154-2C30****	1000	0.47	26.5	15.0	6.0	22.5	0.8	CB24474-2C90****	500
0.18	10.5	12.0	6.0	7.5	0.6	CB24184-2C30****	1000	0.56	26.5	15.0	6.0	22.5	0.8	CB24564-2C90****	500
0.22	10.5	12.0	6.0	7.5	0.6	CB24224-2C30****	1000	0.68	26.5	15.0	6.0	22.5	0.8	CB24684-2C90****	500
0.033	13.0	9.0	4.0	10.0	0.6	CB24333-2C40****	500	0.82	26.5	15.0	6.0	22.5	0.8	CB24824-2C90****	500
0.039	13.0	9.0	4.0	10.0	0.6	CB24393-2C40****	500	1.0	26.5	15.0	6.0	22.5	0.8	CB24105-2C90****	500
0.047	13.0	9.0	4.0	10.0	0.6	CB24473-2C40****	500	1.2	26.5	16.0	7.0	22.5	0.8	CB24125-2C90****	500
0.056	13.0	9.0	4.0	10.0	0.6	CB24563-2C40****	500	1.5	26.5	17.0	8.5	22.5	0.8	CB24155-2C90****	500
0.068	13.0	9.0	4.0	10.0	0.6	CB24683-2C40****	500	1.8	26.5	17.0	8.5	22.5	0.8	CB24185-2C90****	500
0.082	13.0	9.0	4.0	10.0	0.6	CB24823-2C40****	500	2.2	26.5	18.5	10.0	22.5	0.8	CB24225-2C90****	200
0.10	13.0	9.0	4.0	10.0	0.6	CB24104-2C40****	500	2.7	26.5	20.0	11.0	22.5	0.8	CB24275-2C90****	200
0.12	13.0	9.0	4.0	10.0	0.6	CB24124-2C40****	500	3.3	26.5	22.0	12.0	22.5	0.8	CB24335-2C90****	200
0.15	13.0	11.0	5.0	10.0	0.6	CB24154-2C40****	500	1.0	32.0	18.0	9.0	27.5	0.8	CB24105-2CB0****	500
0.18	13.0	11.0	5.0	10.0	0.6	CB24184-2C40****	500	1.2	32.0	18.0	9.0	27.5	0.8	CB24125-2CB0****	500
0.22	13.0	11.0	5.0	10.0	0.6	CB24224-2C40****	500	1.5	32.0	18.0	9.0	27.5	0.8	CB24155-2CB0****	500
0.27	13.0	12.0	6.0	10.0	0.6	CB24274-2C40****	500	1.8	32.0	18.0	9.0	27.5	0.8	CB24185-2CB0****	500
0.33	13.0	12.0	6.0	10.0	0.6	CB24334-2C40****	500	2.2	32.0	18.0	9.0	27.5	0.8	CB24225-2CB0****	500
0.10	18.0	11.0	5.0	15.0	0.8	CB24104-2C60****	500	2.7	32.0	20.0	11.0	27.5	0.8	CB24275-2CB0****	200
0.12	18.0	11.0	5.0	15.0	0.8	CB24124-2C60****	500	3.3	32.0	20.0	11.0	27.5	0.8	CB24335-2CB0****	200
0.15	18.0	11.0	5.0	15.0	0.8	CB24154-2C60****	500	3.9	32.0	22.0	13.0	27.5	0.8	CB24395-2CB0****	100
0.18	18.0	11.0	5.0	15.0	0.8	CB24184-2C60****	500	4.7	32.0	25.0	14.0	27.5	0.8	CB24475-2CB0****	100
0.22	18.0	11.0	5.0	15.0	0.8	CB24224-2C60****	500	5.6	32.0	24.5	15.0	27.5	0.8	CB24565-2CB0****	100
0.27	18.0	11.0	5.0	15.0	0.8	CB24274-2C60****	500	6.8	32.0	28.0	17.0	27.5	0.8	CB24685-2CB0****	50
0.33	18.0	11.0	5.0	15.0	0.8	CB24334-2C60****	500	8.2	32.0	28.0	17.0	27.5	0.8	CB24825-2CB0****	50
0.39	18.0	12.0	6.0	15.0	0.8	CB24394-2C60****	500	10.0	32.0	33.0	18.0	27.5	0.8	CB24106-2CB0****	50
0.47	18.0	12.0	6.0	15.0	0.8	CB24474-2C60****	500	12.0	32.0	37.0	22.0	27.5	0.8	CB24126-2CB0****	50
0.56	18.0	13.5	7.5	15.0	0.8	CB24564-2C60****	500	15.0	32.0	37.0	22.0	27.5	0.8	CB24156-2CB0****	50

备注:

“-”: 客户要求的容量偏差

“\*\*\*\*”: 引线加工和包装代码 (见 15 页表 4)

MOQ: 最小订单量

“-”=custom's capacitor tolerance code, J=±5%, K=±10%, M=±20%

“\*\*\*\*”= Lead form and packing code (refer to table 4 in page 15)

MOQ = Minimum order quantity



# CBB24

CBB24 series

◆ 产品尺寸: **Product Dimension:**

250Vdc (160Vac)															
C (μF)	W	H	T	P	d	产品代码 Part number	MOQ	C (μF)	W	H	T	P	d	产品代码 Part number	MOQ
0.010	10.5	9.0	4.0	7.5	0.6	CB24103-2E30****	1000	0.39	18.0	13.5	7.5	15.0	0.8	CB24394-2E60****	500
0.012	10.5	9.0	4.0	7.5	0.6	CB24123-2E30****	1000	0.47	18.0	14.5	8.5	15.0	0.8	CB24474-2E60****	500
0.015	10.5	9.0	4.0	7.5	0.6	CB24153-2E30****	1000	0.56	18.0	14.5	8.5	15.0	0.8	CB24564-2E60****	500
0.018	10.5	9.0	4.0	7.5	0.6	CB24183-2E30****	1000	0.68	18.0	16.0	10.0	15.0	0.8	CB24684-2E60****	500
0.022	10.5	9.0	4.0	7.5	0.6	CB24223-2E30****	1000	0.82	18.0	19.0	11.0	15.0	0.8	CB24824-2E60****	200
0.027	10.5	9.0	4.0	7.5	0.6	CB24273-2E30****	1000	1.0	18.0	19.0	11.0	15.0	0.8	CB24105-2E60****	200
0.033	10.5	9.0	4.0	7.5	0.6	CB24333-2E30****	1000	0.10	26.5	15.0	6.0	22.5	0.8	CB24104-2E90****	500
0.039	10.5	9.0	4.0	7.5	0.6	CB24393-2E30****	1000	0.12	26.5	15.0	6.0	22.5	0.8	CB24124-2E90****	500
0.047	10.5	9.0	4.0	7.5	0.6	CB24473-2E30****	1000	0.15	26.5	15.0	6.0	22.5	0.8	CB24154-2E90****	500
0.056	10.5	9.0	4.0	7.5	0.6	CB24563-2E30****	1000	0.15	26.5	15.0	6.0	22.5	0.8	CB24154-2E90****	500
0.068	10.5	11.0	5.0	7.5	0.6	CB24683-2E30****	1000	0.18	26.5	15.0	6.0	22.5	0.8	CB24184-2E90****	500
0.082	10.5	11.0	5.0	7.5	0.6	CB24823-2E30****	1000	0.22	26.5	15.0	6.0	22.5	0.8	CB24224-2E90****	500
0.10	10.5	11.0	5.0	7.5	0.6	CB24104-2E30****	1000	0.27	26.5	15.0	6.0	22.5	0.8	CB24274-2E90****	500
0.12	10.5	12.0	6.0	7.5	0.6	CB24124-2E30****	1000	0.33	26.5	15.0	6.0	22.5	0.8	CB24334-2E90****	500
0.15	10.5	12.0	6.0	7.5	0.6	CB24154-2E30****	1000	0.39	26.5	15.0	6.0	22.5	0.8	CB24394-2E90****	500
0.022	13.0	9.0	4.0	10.0	0.6	CB24223-2E40****	500	0.47	26.5	15.0	6.0	22.5	0.8	CB24474-2E90****	500
0.027	13.0	9.0	4.0	10.0	0.6	CB24273-2E40****	500	0.56	26.5	15.0	6.0	22.5	0.8	CB24564-2E90****	500
0.033	13.0	9.0	4.0	10.0	0.6	CB24333-2E40****	500	0.68	26.5	16.0	7.0	22.5	0.8	CB24684-2E90****	500
0.039	13.0	9.0	4.0	10.0	0.6	CB24393-2E40****	500	0.82	26.5	17.0	8.5	22.5	0.8	CB24824-2E90****	500
0.047	13.0	9.0	4.0	10.0	0.6	CB24473-2E40****	500	1.0	26.5	17.0	8.5	22.5	0.8	CB24105-2E90****	500
0.056	13.0	9.0	4.0	10.0	0.6	CB24563-2E40****	500	1.2	26.5	18.5	10.0	22.5	0.8	CB24125-2E90****	200
0.068	13.0	9.0	4.0	10.0	0.6	CB24683-2E40****	500	1.5	26.5	18.5	10.0	22.5	0.8	CB24155-2E90****	200
0.082	13.0	11.0	5.0	10.0	0.6	CB24823-2E40****	500	1.8	26.5	20.0	11.0	22.5	0.8	CB24185-2E90****	200
0.10	13.0	11.0	5.0	10.0	0.6	CB24104-2E40****	500	2.2	26.5	22.0	12.0	22.5	0.8	CB24225-2E90****	200
0.12	13.0	11.0	5.0	10.0	0.6	CB24124-2E40****	500	0.82	32.0	18.0	9.0	27.5	0.8	CB24824-2EB0****	500
0.15	13.0	12.0	6.0	10.0	0.6	CB24154-2E40****	500	1.0	32.0	18.0	9.0	27.5	0.8	CB24105-2EB0****	500
0.18	13.0	12.0	6.0	10.0	0.6	CB24184-2E40****	500	1.2	32.0	18.0	9.0	27.5	0.8	CB24125-2EB0****	500
0.068	18.0	11.0	5.0	15.0	0.8	CB24683-2E60****	500	1.5	32.0	18.0	9.0	27.5	0.8	CB24155-2EB0****	500
0.082	18.0	11.0	5.0	15.0	0.8	CB24823-2E60****	500	1.8	32.0	20.0	11.0	27.5	0.8	CB24185-2EB0****	200
0.10	18.0	11.0	5.0	15.0	0.8	CB24104-2E60****	500	2.2	32.0	20.0	11.0	27.5	0.8	CB24225-2EB0****	200
0.12	18.0	11.0	5.0	15.0	0.8	CB24124-2E60****	500	3.3	32.0	25.0	14.0	27.5	0.8	CB24335-2EB0****	100
0.15	18.0	11.0	5.0	15.0	0.8	CB24154-2E60****	500	3.9	32.0	24.5	15.0	27.5	0.8	CB24395-2EB0****	100
0.18	18.0	11.0	5.0	15.0	0.8	CB24184-2E60****	500	4.7	32.0	28.0	17.0	27.5	0.8	CB24475-2EB0****	50
0.22	18.0	12.0	6.0	15.0	0.8	CB24224-2E60****	500	5.6	32.0	33.0	18.0	27.5	0.8	CB24565-2EB0****	50
0.27	18.0	12.0	6.0	15.0	0.8	CB24274-2E60****	500	6.8	32.0	33.0	18.0	27.5	0.8	CB24685-2EB0****	50
0.33	18.0	13.5	7.5	15.0	0.8	CB24334-2E60****	500	8.2	32.0	37.0	22.0	27.5	0.8	CB24825-2EB0****	50
								10.0	32.0	37.0	22.0	27.5	0.8	CB24106-2EB0****	50

备注:

“-”: 客户要求的容量偏差

“\*\*\*\*”: 引线加工和包装代码 (见 15 页表 4)

MOQ: 最小订单量

“-”=custom's capacitor tolerance code, J=±5%, K=±10%, M=±20%

“\*\*\*\*”= Lead form and packing code (refer to table 4 in page 15)

MOQ = Minimum order quantity



◆ 产品尺寸: Product Dimension:

400Vdc/450Vdc (220Vac)															
C (μF)	W	H	T	P	d	产品代码 Part number	MOQ	C (μF)	W	H	T	P	d	产品代码 Part number	MOQ
0.010	10.5	9.0	4.0	7.5	0.6	CB24103-2G30****	1000	0.22	18.0	13.5	7.5	15.0	0.8	CB24224-2G60****	500
0.012	10.5	9.0	4.0	7.5	0.6	CB24123-2G30****	1000	0.27	18.0	13.5	7.5	15.0	0.8	CB24274-2G60****	500
0.015	10.5	9.0	4.0	7.5	0.6	CB24153-2G30****	1000	0.33	18.0	14.5	8.5	15.0	0.8	CB24334-2G60****	500
0.018	10.5	9.0	4.0	7.5	0.6	CB24183-2G30****	1000	0.39	18.0	14.5	8.5	15.0	0.8	CB24394-2G60****	500
0.022	10.5	9.0	4.0	7.5	0.6	CB24223-2G30****	1000	0.47	18.0	16.0	10.0	15.0	0.8	CB24474-2G60****	500
0.027	10.5	9.0	4.0	7.5	0.6	CB24273-2G30****	1000	0.56	18.0	19.0	11.0	15.0	0.8	CB24564-2G60****	500
0.033	10.5	11.0	5.0	7.5	0.6	CB24333-2G30****	1000	0.68	18.0	19.0	11.0	15.0	0.8	CB24684-2G60****	200
0.039	10.5	11.0	5.0	7.5	0.6	CB24393-2G30****	1000	0.10	26.5	15.0	6.0	22.5	0.8	CB24104-2G90****	500
0.047	10.5	11.0	5.0	7.5	0.6	CB24473-2G30****	1000	0.12	26.5	15.0	6.0	22.5	0.8	CB24124-2G90****	500
0.056	10.5	11.0	5.0	7.5	0.6	CB24563-2G30****	1000	0.15	26.5	15.0	6.0	22.5	0.8	CB24154-2G90****	500
0.068	10.5	12.0	6.0	7.5	0.6	CB24683-2G30****	1000	0.18	26.5	15.0	6.0	22.5	0.8	CB24184-2G90****	500
0.082	10.5	12.0	6.0	7.5	0.6	CB24823-2G30****	1000	0.22	26.5	15.0	6.0	22.5	0.8	CB24224-2G90****	500
0.010	13.0	9.0	4.0	10.0	0.6	CB24103-2G40****	500	0.27	26.5	15.0	6.0	22.5	0.8	CB24274-2G90****	500
0.012	13.0	9.0	4.0	10.0	0.6	CB24123-2G40****	500	0.33	26.5	15.0	6.0	22.5	0.8	CB24334-2G90****	500
0.015	13.0	9.0	4.0	10.0	0.6	CB24153-2G40****	500	0.39	26.5	15.0	6.0	22.5	0.8	CB24394-2G90****	500
0.018	13.0	9.0	4.0	10.0	0.6	CB24183-2G40****	500	0.47	26.5	16.0	7.0	22.5	0.8	CB24474-2G90****	500
0.022	13.0	9.0	4.0	10.0	0.6	CB24223-2G40****	500	0.56	26.5	17.0	8.5	22.5	0.8	CB24564-2G90****	500
0.027	13.0	9.0	4.0	10.0	0.6	CB24273-2G40****	500	0.68	26.5	17.0	8.5	22.5	0.8	CB24684-2G90****	500
0.033	13.0	9.0	4.0	10.0	0.6	CB24333-2G40****	500	0.82	26.5	18.5	10.0	22.5	0.8	CB24824-2G90****	200
0.039	13.0	9.0	4.0	10.0	0.6	CB24393-2G40****	500	1.0	26.5	20.0	11.0	22.5	0.8	CB24105-2G90****	200
0.047	13.0	11.0	5.0	10.0	0.6	CB24473-2G40****	500	1.2	26.5	20.0	11.0	22.5	0.8	CB24125-2G90****	200
0.056	13.0	11.0	5.0	10.0	0.6	CB24563-2G40****	500	1.5	26.5	22.0	12.0	22.5	0.8	CB24155-2G90****	200
0.068	13.0	11.0	5.0	10.0	0.6	CB24683-2G40****	500	0.47	32.0	18.0	9.0	27.5	0.8	CB24474-2GB0****	500
0.082	13.0	12.0	6.0	10.0	0.6	CB24823-2G40****	500	0.56	32.0	18.0	9.0	27.5	0.8	CB24564-2GB0****	500
0.10	13.0	12.0	6.0	10.0	0.6	CB24104-2G40****	500	0.68	32.0	18.0	9.0	27.5	0.8	CB24684-2GB0****	500
0.12	13.0	12.0	6.0	10.0	0.6	CB24124-2G40****	500	0.82	32.0	18.0	9.0	27.5	0.8	CB24824-2GB0****	500
0.039	18.0	11.0	5.0	15.0	0.8	CB24393-2G60****	500	1.0	32.0	18.0	9.0	27.5	0.8	CB24105-2GB0****	500
0.047	18.0	11.0	5.0	15.0	0.8	CB24473-2G60****	500	1.2	32.0	20.0	11.0	27.5	0.8	CB24125-2GB0****	200
0.056	18.0	11.0	5.0	15.0	0.8	CB24563-2G60****	500	1.5	32.0	22.0	13.0	27.5	0.8	CB24155-2GB0****	100
0.068	18.0	11.0	5.0	15.0	0.8	CB24683-2G60****	500	1.8	32.0	22.0	13.0	27.5	0.8	CB24185-2GB0****	100
0.082	18.0	11.0	5.0	15.0	0.8	CB24823-2G60****	500	2.2	32.0	25.0	14.0	27.5	0.8	CB24225-2GB0****	100
0.10	18.0	11.0	5.0	15.0	0.8	CB24104-2G60****	500	2.7	32.0	28.0	14.0	27.5	0.8	CB24275-2GB0****	100
0.12	18.0	11.0	5.0	15.0	0.8	CB24124-2G60****	500	3.3	32.0	28.0	17.0	27.5	0.8	CB24335-2GB0****	50
0.15	18.0	12.0	6.0	15.0	0.8	CB24154-2G60****	500	3.9	32.0	33.0	18.0	27.5	0.8	CB24395-2GB0****	50
0.18	18.0	12.0	6.0	15.0	0.8	CB24184-2G60****	500	4.7	32.0	37.0	22.0	27.5	0.8	CB24475-2GB0****	50
								5.6	32.0	37.0	22.0	27.5	0.8	CB24565-2GB0****	50

备注:

“-”: 客户要求的容量偏差

“\*\*\*\*”: 引线加工和包装代码 (见 15 页表 4)

“▲”: 当额定电压为 450Vdc 时, 第 9~10 位为 2S

MOQ: 最小订单量

“-”=custom's capacitor tolerance code, J=±5%, K=±10%, M=±20%

“\*\*\*\*”= Lead form and packing code (refer to table 4 in page 15)

“▲”=when the rated voltage is 450Vdc, the digit 9~10 is 2S

MOQ = Minimum order quantity





# CBB24

CBB24 series

◆ 产品尺寸: Product Dimension:

630Vdc (250Vac)															
C (μF)	W	H	T	P	d	产品代码 Part number	MOQ	C (μF)	W	H	T	P	d	产品代码 Part number	MOQ
0.0010	10.5	9.0	4.0	7.5	0.6	CB24102-2J30****	1000	0.027	18.0	11.0	5.0	15.0	0.8	CB24273-2J60****	500
0.0012	10.5	9.0	4.0	7.5	0.6	CB24122-2J30****	1000	0.033	18.0	11.0	5.0	15.0	0.8	CB24333-2J60****	500
0.0015	10.5	9.0	4.0	7.5	0.6	CB24152-2J30****	1000	0.039	18.0	11.0	5.0	15.0	0.8	CB24393-2J60****	500
0.0018	10.5	9.0	4.0	7.5	0.6	CB24182-2J30****	1000	0.047	18.0	11.0	5.0	15.0	0.8	CB24473-2J60****	500
0.0022	10.5	9.0	4.0	7.5	0.6	CB24222-2J30****	1000	0.056	18.0	12.0	6.0	15.0	0.8	CB24563-2J60****	500
0.0027	10.5	9.0	4.0	7.5	0.6	CB24272-2J30****	1000	0.068	18.0	12.0	6.0	15.0	0.8	CB24683-2J60****	500
0.0033	10.5	9.0	4.0	7.5	0.6	CB24332-2J30****	1000	0.082	18.0	13.5	7.5	15.0	0.8	CB24823-2J60****	500
0.0039	10.5	9.0	4.0	7.5	0.6	CB24392-2J30****	1000	0.10	18.0	13.5	7.5	15.0	0.8	CB24104-2J60****	500
0.0047	10.5	9.0	4.0	7.5	0.6	CB24472-2J30****	1000	0.12	18.0	14.5	8.5	15.0	0.8	CB24124-2J60****	500
0.0056	10.5	9.0	4.0	7.5	0.6	CB24562-2J30****	1000	0.15	18.0	14.5	8.5	15.0	0.8	CB24154-2J60****	500
0.0068	10.5	9.0	4.0	7.5	0.6	CB24682-2J30****	1000	0.18	18.0	16.0	10.0	15.0	0.8	CB24184-2J60****	500
0.0082	10.5	9.0	4.0	7.5	0.6	CB24822-2J30****	1000	0.22	18.0	16.0	10.0	15.0	0.8	CB24224-2J60****	500
0.010	10.5	9.0	4.0	7.5	0.6	CB24103-2J30****	1000	0.27	18.0	19.0	11.0	15.0	0.8	CB24274-2J60****	200
0.012	10.5	11.0	5.0	7.5	0.6	CB24123-2J30****	1000	0.068	26.5	15.0	6.0	22.5	0.8	CB24683-2J90****	500
0.015	10.5	11.0	5.0	7.5	0.6	CB24153-2J30****	1000	0.082	26.5	15.0	6.0	22.5	0.8	CB24823-2J90****	500
0.018	10.5	11.0	5.0	7.5	0.6	CB24183-2J30****	1000	0.10	26.5	15.0	6.0	22.5	0.8	CB24104-2J90****	500
0.022	10.5	12.0	6.0	7.5	0.6	CB24223-2J30****	1000	0.12	26.5	15.0	6.0	22.5	0.8	CB24124-2J90****	500
0.0010	13.0	9.0	4.0	10.0	0.6	CB24102-2J40****	500	0.15	26.5	15.0	6.0	22.5	0.8	CB24154-2J90****	500
0.0012	13.0	9.0	4.0	10.0	0.6	CB24122-2J40****	500	0.18	26.5	16.0	7.0	22.5	0.8	CB24184-2J90****	500
0.0015	13.0	9.0	4.0	10.0	0.6	CB24152-2J40****	500	0.22	26.5	16.0	7.0	22.5	0.8	CB24224-2J90****	500
0.0018	13.0	9.0	4.0	10.0	0.6	CB24182-2J40****	500	0.27	26.5	17.0	8.5	22.5	0.8	CB24274-2J90****	500
0.0022	13.0	9.0	4.0	10.0	0.6	CB24222-2J40****	500	0.33	26.5	18.5	10.0	22.5	0.8	CB24334-2J90****	200
0.0027	13.0	9.0	4.0	10.0	0.6	CB24272-2J40****	500	0.39	26.5	18.5	10.0	22.5	0.8	CB24394-2J90****	200
0.0033	13.0	9.0	4.0	10.0	0.6	CB24332-2J40****	500	0.47	26.5	20.0	11.0	22.5	0.8	CB24474-2J90****	200
0.0039	13.0	9.0	4.0	10.0	0.6	CB24392-2J40****	500	0.56	26.5	22.0	12.0	22.5	0.8	CB24564-2J90****	200
0.0047	13.0	9.0	4.0	10.0	0.6	CB24472-2J40****	500	0.18	32.0	18.0	9.0	27.5	0.8	CB24184-2JB0****	500
0.0056	13.0	9.0	4.0	10.0	0.6	CB24562-2J40****	500	0.22	32.0	18.0	9.0	27.5	0.8	CB24224-2JB0****	500
0.0068	13.0	9.0	4.0	10.0	0.6	CB24682-2J40****	500	0.27	32.0	18.0	9.0	27.5	0.8	CB24274-2JB0****	500
0.0082	13.0	9.0	4.0	10.0	0.6	CB24822-2J40****	500	0.33	32.0	18.0	9.0	27.5	0.8	CB24334-2JB0****	500
0.010	13.0	9.0	4.0	10.0	0.6	CB24103-2J40****	500	0.39	32.0	18.0	9.0	27.5	0.8	CB24394-2JB0****	500
0.012	13.0	9.0	4.0	10.0	0.6	CB24123-2J40****	500	0.47	32.0	20.0	11.0	27.5	0.8	CB24474-2JB0****	200
0.015	13.0	11.0	5.0	10.0	0.6	CB24153-2J40****	500	0.56	32.0	20.0	11.0	27.5	0.8	CB24564-2JB0****	200
0.018	13.0	11.0	5.0	10.0	0.6	CB24183-2J40****	500	0.68	32.0	22.0	13.0	27.5	0.8	CB24684-2JB0****	100
0.022	13.0	11.0	5.0	10.0	0.6	CB24223-2J40****	500	0.82	32.0	22.0	13.0	27.5	0.8	CB24824-2JB0****	100
0.027	13.0	11.0	5.0	10.0	0.6	CB24273-2J40****	500	1.0	32.0	24.5	15.0	27.5	0.8	CB24105-2JB0****	100
0.033	13.0	11.0	5.0	10.0	0.6	CB24333-2J40****	500	1.2	32.0	28.0	14.0	27.5	0.8	CB24125-2JB0****	100
0.039	13.0	12.0	6.0	10.0	0.6	CB24393-2J40****	500	1.5	32.0	28.0	17.0	27.5	0.8	CB24155-2JB0****	50
0.015	18.0	11.0	5.0	15.0	0.8	CB24153-2J60****	500	1.8	32.0	33.0	18.0	27.5	0.8	CB24185-2JB0****	50
0.018	18.0	11.0	5.0	15.0	0.8	CB24183-2J60****	500	2.2	32.0	37.0	22.0	27.5	0.8	CB24225-2JB0****	50
0.022	18.0	11.0	5.0	15.0	0.8	CB24223-2J60****	500	2.7	32.0	37.0	22.0	27.5	0.8	CB24275-2JB0****	50

备注:

“-”: 客户要求的容量偏差

“\*\*\*\*”: 引线加工和包装代码 (见 15 页表 4)

MOQ: 最小订单量

“-”=custom's capacitor tolerance code, J=±5%, K=±10%, M=±20%

“\*\*\*\*”= Lead form and packing code (refer to table 4 in page 15)

MOQ = Minimum order quantity

◆ 产品尺寸: **Product Dimension:**

630Vdc (250Vac)															
C ( $\mu$ F)	W	H	T	P	d	产品代码 Part number	MOQ	C ( $\mu$ F)	W	H	T	P	d	产品代码 Part number	MOQ
0.018	10.5	11.0	5.0	7.5	0.6	CB24183-2J3S****	1000	0.18	26.5	15.0	6.0	22.5	0.8	CB24184-2J9S****	500
0.022	10.5	11.0	5.0	7.5	0.6	CB24223-2J3S****	1000	0.22	26.5	15.0	6.0	22.5	0.8	CB24224-2J9S****	500
0.027	10.5	11.0	5.0	7.5	0.6	CB24273-2J3S****	1000	0.27	26.5	16.0	7.0	22.5	0.8	CB24274-2J9S****	500
0.033	10.5	12.0	6.0	7.5	0.6	CB24333-2J3S****	1000	0.33	26.5	17.0	8.5	22.5	0.8	CB24334-2J9S****	500
0.015	13.0	9.0	4.0	10.0	0.6	CB24153-2J4S****	500	0.39	26.5	17.0	8.5	22.5	0.8	CB24394-2J9S****	500
0.018	13.0	9.0	4.0	10.0	0.6	CB24183-2J4S****	500	0.47	26.5	18.5	10.0	22.5	0.8	CB24474-2J9S****	200
0.022	13.0	9.0	4.0	10.0	0.6	CB24223-2J4S****	500	0.56	26.5	20.0	11.0	22.5	0.8	CB24564-2J9S****	200
0.033	13.0	11.0	5.0	10.0	0.6	CB24333-2J4S****	500	0.68	26.5	22.0	12.0	22.5	0.8	CB24684-2J9S****	200
0.039	13.0	11.0	5.0	10.0	0.6	CB24393-2J4S****	500	0.47	32.0	18.0	9.0	27.5	0.8	CB24474-2JBS****	500
0.047	13.0	12.0	6.0	10.0	0.6	CB24473-2J4S****	500	0.56	32.0	18.0	9.0	27.5	0.8	CB24564-2JBS****	500
0.056	18.0	11.0	5.0	15.0	0.8	CB24563-2J6S****	500	0.68	32.0	20.0	11.0	27.5	0.8	CB24684-2JBS****	200
0.068	18.0	11.0	5.0	15.0	0.8	CB24683-2J6S****	500	0.82	32.0	20.0	11.0	27.5	0.8	CB24824-2JBS****	200
0.082	18.0	12.0	6.0	15.0	0.8	CB24823-2J6S****	500	1.00	32.0	22.0	13.0	27.5	0.8	CB24105-2JBS****	100
0.10	18.0	12.0	6.0	15.0	0.8	CB24104-2J6S****	500	1.20	32.0	24.5	15.0	27.5	0.8	CB24125-2JBS****	100
0.12	18.0	13.5	7.5	15.0	0.8	CB24124-2J6S****	500	1.50	32.0	28.0	14.0	27.5	0.8	CB24155-2JBS****	100
0.15	18.0	13.5	7.5	15.0	0.8	CB24154-2J6S****	500	1.80	32.0	28.0	17.0	27.5	0.8	CB24185-2JBS****	50
0.18	18.0	14.5	8.5	15.0	0.8	CB24184-2J6S****	500	2.20	32.0	33.0	18.0	27.5	0.8	CB24225-2JBS****	50
0.22	18.0	16.0	10.0	15.0	0.8	CB24224-2J6S****	500	2.70	32.0	37.0	22.0	27.5	0.8	CB24275-2JBS****	50
0.27	18.0	16.0	10.0	15.0	0.8	CB24274-2J6S****	500	3.30	32.0	37.0	22.0	27.5	0.8	CB24335-2JBS****	50
0.33	18.0	19.0	11.0	15.0	0.8	CB24334-2J6S****	200								

“-”: 客户要求的容量偏差

“\*\*\*\*”: 引线加工和包装代码 (见 15 页表 4)

MOQ: 最小订单量

“-”=custom's capacitor tolerance code, J=±5%, K=±10%, M=±20%

“\*\*\*\*”= Lead form and packing code (refer to table 4 in page 15)

MOQ = Minimum order quantity



CBB24

CBB24 series

◆ 产品尺寸: Product Dimension:

1000Vdc/1250Vdc (400Vac)															
C ( $\mu$ F)	W	H	T	P	d	产品代码 Part number	MOQ	C ( $\mu$ F)	W	H	T	P	d	产品代码 Part number	MOQ
0.0010	10.5	9.0	4.0	7.5	0.6	CB24102-3A30****	1000	0.027	18.0	13.5	7.5	15.0	0.8	CB24273-3A60****	500
0.0012	10.5	9.0	4.0	7.5	0.6	CB24122-3A30****	1000	0.033	18.0	13.5	7.5	15.0	0.8	CB24333-3A60****	500
0.0015	10.5	9.0	4.0	7.5	0.6	CB24152-3A30****	1000	0.039	18.0	14.5	8.5	15.0	0.8	CB24393-3A60****	500
0.0018	10.5	9.0	4.0	7.5	0.6	CB24182-3A30****	1000	0.047	18.0	16.0	10.0	15.0	0.8	CB24473-3A60****	500
0.0022	10.5	9.0	4.0	7.5	0.6	CB24222-3A30****	1000	0.056	18.0	16.0	10.0	15.0	0.8	CB24563-3A60****	500
0.0027	10.5	11.0	5.0	7.5	0.6	CB24272-3A30****	1000	0.068	18.0	19.0	11.0	15.0	0.8	CB24683-3A60****	200
0.0033	10.5	11.0	5.0	7.5	0.6	CB24332-3A30****	1000	0.010	26.5	15.0	6.0	22.5	0.8	CB24103-3A90****	500
0.0039	10.5	11.0	5.0	7.5	0.6	CB24392-3A30****	1000	0.012	26.5	15.0	6.0	22.5	0.8	CB24123-3A90****	500
0.0047	10.5	12.0	6.0	7.5	0.6	CB24472-3A30****	1000	0.015	26.5	15.0	6.0	22.5	0.8	CB24153-3A90****	500
0.0056	10.5	12.0	6.0	7.5	0.6	CB24562-3A30****	1000	0.018	26.5	15.0	6.0	22.5	0.8	CB24183-3A90****	500
0.0010	13.0	9.0	4.0	10.0	0.6	CB24102-3A40****	500	0.022	26.5	15.0	6.0	22.5	0.8	CB24223-3A90****	500
0.0012	13.0	9.0	4.0	10.0	0.6	CB24122-3A40****	500	0.027	26.5	15.0	6.0	22.5	0.8	CB24273-3A90****	500
0.0015	13.0	9.0	4.0	10.0	0.6	CB24152-3A40****	500	0.033	26.5	15.0	6.0	22.5	0.8	CB24333-3A90****	500
0.0018	13.0	9.0	4.0	10.0	0.6	CB24182-3A40****	500	0.039	26.5	15.0	6.0	22.5	0.8	CB24393-3A90****	500
0.0022	13.0	9.0	4.0	10.0	0.6	CB24222-3A40****	500	0.047	26.5	16.0	7.0	22.5	0.8	CB24473-3A90****	500
0.0027	13.0	9.0	4.0	10.0	0.6	CB24272-3A40****	500	0.056	26.5	16.0	7.0	22.5	0.8	CB24563-3A90****	500
0.0033	13.0	9.0	4.0	10.0	0.6	CB24332-3A40****	500	0.068	26.5	17.0	8.5	22.5	0.8	CB24683-3A90****	500
0.0039	13.0	9.0	4.0	10.0	0.6	CB24392-3A40****	500	0.082	26.5	17.0	8.5	22.5	0.8	CB24823-3A90****	500
0.0047	13.0	11.0	5.0	10.0	0.6	CB24472-3A40****	500	0.10	26.5	18.5	10.0	22.5	0.8	CB24104-3A90****	200
0.0056	13.0	11.0	5.0	10.0	0.6	CB24562-3A40****	500	0.12	26.5	20.0	11.0	22.5	0.8	CB24124-3A90****	200
0.0068	13.0	11.0	5.0	10.0	0.6	CB24682-3A40****	500	0.15	26.5	22.0	12.0	22.5	0.8	CB24154-3A90****	200
0.0082	13.0	12.0	6.0	10.0	0.6	CB24822-3A40****	500	0.18	26.5	22.0	12.0	22.5	0.8	CB24184-3A90****	200
0.0100	13.0	12.0	6.0	10.0	0.6	CB24103-3A40****	500	0.068	32.0	18.0	9.0	27.5	0.8	CB24683-3AB0****	500
0.0022	18.0	11.0	5.0	15.0	0.8	CB24222-3A60****	500	0.082	32.0	18.0	9.0	27.5	0.8	CB24823-3AB0****	500
0.0027	18.0	11.0	5.0	15.0	0.8	CB24272-3A60****	500	0.10	32.0	18.0	9.0	27.5	0.8	CB24104-3AB0****	500
0.0033	18.0	11.0	5.0	15.0	0.8	CB24332-3A60****	500	0.12	32.0	18.0	9.0	27.5	0.8	CB24124-3AB0****	500
0.0039	18.0	11.0	5.0	15.0	0.8	CB24392-3A60****	500	0.15	32.0	20.0	11.0	27.5	0.8	CB24154-3AB0****	200
0.0047	18.0	11.0	5.0	15.0	0.8	CB24472-3A60****	500	0.18	32.0	20.0	11.0	27.5	0.8	CB24184-3AB0****	200
0.0056	18.0	11.0	5.0	15.0	0.8	CB24562-3A60****	500	0.22	32.0	22.0	13.0	27.5	0.8	CB24224-3AB0****	100
0.0068	18.0	11.0	5.0	15.0	0.8	CB24682-3A60****	500	0.27	32.0	25.0	14.0	27.5	0.8	CB24274-3AB0****	100
0.0082	18.0	11.0	5.0	15.0	0.8	CB24822-3A60****	500	0.33	32.0	28.0	14.0	27.5	0.8	CB24334-3AB0****	100
0.010	18.0	11.0	5.0	15.0	0.8	CB24103-3A60****	500	0.39	32.0	28.0	17.0	27.5	0.8	CB24394-3AB0****	50
0.012	18.0	11.0	5.0	15.0	0.8	CB24123-3A60****	500	0.47	32.0	33.0	18.0	27.5	0.8	CB24474-3AB0****	50
0.015	18.0	11.0	5.0	15.0	0.8	CB24153-3A60****	500	0.56	32.0	33.0	18.0	27.5	0.8	CB24564-3AB0****	50
0.018	18.0	12.0	6.0	15.0	0.8	CB24183-3A60****	500	0.68	32.0	37.0	22.0	27.5	0.8	CB24684-3AB0****	50
0.022	18.0	12.0	6.0	15.0	0.8	CB24223-3A60****	500								

备注:

“-”: 客户要求的容量偏差

“\*\*\*\*”: 引线加工和包装代码 (见 15 页表 4)

MOQ: 最小订单量

“-”=custom's capacitor tolerance code, J=±5%, K=±10%, M=±20%

“\*\*\*\*”= Lead form and packing code (refer to table 4 in page 15)

MOQ = Minimum order quantity

◆ 产品尺寸: Product Dimension:

1600Vdc (600Vac)																
C ( $\mu$ F)	W	H	T	P	d	产品代码 Part number	MOQ	C ( $\mu$ F)	W	H	T	P	d	产品代码 Part number	MOQ	
0.00047	13.0	9.0	4.0	10.0	0.6	CB24471-3C40****	500	0.0047	18.0	11.0	5.0	15.0	0.8	CB24472-3C60****	500	
0.00056	13.0	9.0	4.0	10.0	0.6	CB24561-3C40****	500	0.0056	18.0	11.0	5.0	15.0	0.8	CB24562-3C60****	500	
0.00068	13.0	9.0	4.0	10.0	0.6	CB24681-3C40****	500	0.0068	18.0	11.0	5.0	15.0	0.8	CB24682-3C60****	500	
0.00075	13.0	9.0	4.0	10.0	0.6	CB24751-3C40****	500	0.0075	18.0	11.0	5.0	15.0	0.8	CB24752-3C60****	500	
0.00082	13.0	9.0	4.0	10.0	0.6	CB24821-3C40****	500	0.0082	18.0	12.0	6.0	15.0	0.8	CB24822-3C60****	500	
0.0010	13.0	9.0	4.0	10.0	0.6	CB24102-3C40****	500	0.010	18.0	12.0	6.0	15.0	0.8	CB24103-3C60****	500	
0.0012	13.0	9.0	4.0	10.0	0.6	CB24122-3C40****	500	0.012	18.0	12.0	6.0	15.0	0.8	CB24123-3C60****	500	
0.0015	13.0	9.0	4.0	10.0	0.6	CB24152-3C40****	500	0.015	18.0	13.5	7.5	15.0	0.8	CB24153-3C60****	500	
0.0018	13.0	9.0	4.0	10.0	0.6	CB24182-3C40****	500	0.018	18.0	13.5	7.5	15.0	0.8	CB24183-3C60****	500	
0.0022	13.0	11.0	5.0	10.0	0.6	CB24222-3C40****	500	0.022	18.0	14.5	8.5	15.0	0.8	CB24223-3C60****	500	
0.0027	13.0	11.0	5.0	10.0	0.6	CB24272-3C40****	500	0.027	18.0	16.0	10.0	15.0	0.8	CB24273-3C60****	500	
0.0033	13.0	11.0	5.0	10.0	0.6	CB24332-3C40****	500	0.033	18.0	19.0	11.0	15.0	0.8	CB24333-3C60****	200	
0.0039	13.0	12.0	6.0	10.0	0.6	CB24392-3C40****	500	0.039	18.0	19.0	11.0	15.0	0.8	CB24393-3C60****	200	
0.0047	13.0	12.0	6.0	10.0	0.6	CB24472-3C40****	500	0.015	26.5	15.0	6.0	22.5	0.8	CB24153-3C90****	500	
0.00068	18.0	11.0	5.0	15.0	0.8	CB24681-3C60****	500	0.018	26.5	15.0	6.0	22.5	0.8	CB24183-3C90****	500	
0.00075	18.0	11.0	5.0	15.0	0.8	CB24751-3C60****	500	0.022	26.5	15.0	6.0	22.5	0.8	CB24223-3C90****	500	
0.00082	18.0	11.0	5.0	15.0	0.8	CB24821-3C60****	500	0.027	26.5	16.0	7.0	22.5	0.8	CB24273-3C90****	500	
0.0010	18.0	11.0	5.0	15.0	0.8	CB24102-3C60****	500	0.033	26.5	17.0	8.5	22.5	0.8	CB24333-3C90****	500	
0.0012	18.0	11.0	5.0	15.0	0.8	CB24122-3C60****	500	0.039	26.5	17.0	8.5	22.5	0.8	CB24393-3C90****	500	
0.0015	18.0	11.0	5.0	15.0	0.8	CB24152-3C60****	500	0.047	26.5	18.5	10.0	22.5	0.8	CB24473-3C90****	200	
0.0018	18.0	11.0	5.0	15.0	0.8	CB24182-3C60****	500	0.056	26.5	18.5	10.0	22.5	0.8	CB24563-3C90****	200	
0.0022	18.0	11.0	5.0	15.0	0.8	CB24222-3C60****	500	0.068	26.5	20.0	11.0	22.5	0.8	CB24683-3C90****	200	
0.0027	18.0	11.0	5.0	15.0	0.8	CB24272-3C60****	500	0.075	26.5	20.0	11.0	22.5	0.8	CB24753-3C90****	200	
0.0033	18.0	11.0	5.0	15.0	0.8	CB24332-3C60****	500	0.082	26.5	22.0	12.0	22.5	0.8	CB24823-3C90****	200	
0.0039	18.0	11.0	5.0	15.0	0.8	CB24392-3C60****	500									

备注:

“-”: 客户要求的容量偏差

“\*\*\*\*”: 引线加工和包装代码 (见 15 页表 4)

MOQ: 最小订单量

“-”=custom's capacitor tolerance code, J=±5%, K=±10%, M=±20%

“\*\*\*\*”= Lead form and packing code (refer to table 4 in page 15)

MOQ = Minimum order quantity



# CBB24

CBB24 series

◆ 产品尺寸: **Product Dimension:**

2000Vdc (700Vac)															
C ( $\mu$ F)	W	H	T	P	d	产品代码 Part number	MOQ	C ( $\mu$ F)	W	H	T	P	d	产品代码 Part number	MOQ
0.00047	13.0	9.0	4.0	10.0	0.6	CB24471-3D40****	500	0.0047	18.0	11.0	5.0	15.0	0.8	CB24472-3D60****	500
0.00056	13.0	9.0	4.0	10.0	0.6	CB24561-3D40****	500	0.0056	18.0	12.0	6.0	15.0	0.8	CB24562-3D60****	500
0.00068	13.0	9.0	4.0	10.0	0.6	CB24681-3D4S****	500	0.0068	18.0	12.0	6.0	15.0	0.8	CB24682-3D60****	500
0.00075	13.0	9.0	4.0	10.0	0.6	CB24751-3D40****	500	0.0075	18.0	13.5	7.5	15.0	0.8	CB24752-3D60****	500
0.00082	13.0	9.0	4.0	10.0	0.6	CB24821-3D40****	500	0.0082	18.0	13.5	7.5	15.0	0.8	CB24822-3D60****	500
0.00100	13.0	9.0	4.0	10.0	0.6	CB24102-3D40****	500	0.010	18.0	13.5	7.5	15.0	0.8	CB24103-3D60****	500
0.00120	13.0	11.0	5.0	10.0	0.6	CB24122-3D40****	500	0.012	18.0	14.5	8.5	15.0	0.8	CB24123-3D60****	500
0.00150	13.0	11.0	5.0	10.0	0.6	CB24152-3D40****	500	0.015	18.0	16.0	10.0	15.0	0.8	CB24153-3D60****	500
0.00160	13.0	11.0	5.0	10.0	0.6	CB24162-3D40****	500	0.018	18.0	19.0	11.0	15.0	0.8	CB24183-3D60****	200
0.00180	13.0	11.0	5.0	10.0	0.6	CB24182-3D40****	500	0.022	18.0	19.0	11.0	15.0	0.8	CB24223-3D60****	200
0.00220	13.0	11.0	5.0	10.0	0.6	CB24222-3D40****	500	0.0033	26.5	15.0	6.0	22.5	0.8	CB24332-3D90****	500
0.00270	13.0	12.0	6.0	10.0	0.6	CB24272-3D40****	500	0.0039	26.5	15.0	6.0	22.5	0.8	CB24392-3D90****	500
0.00330	13.0	13.0	7.0	10.0	0.6	CB24332-3D40****	500	0.0047	26.5	15.0	6.0	22.5	0.8	CB24472-3D90****	500
0.00047	18.0	11.0	5.0	15.0	0.8	CB24471-3D60****	500	0.0056	26.5	15.0	6.0	22.5	0.8	CB24562-3D90****	500
0.00056	18.0	11.0	5.0	15.0	0.8	CB24561-3D60****	500	0.0068	26.5	15.0	6.0	22.5	0.8	CB24682-3D90****	500
0.00068	18.0	11.0	5.0	15.0	0.8	CB24681-3D6S****	500	0.0075	26.5	15.0	6.0	22.5	0.8	CB24752-3D90****	500
0.00075	18.0	11.0	5.0	15.0	0.8	CB24751-3D60****	500	0.0082	26.5	15.0	6.0	22.5	0.8	CB24822-3D90****	500
0.00082	18.0	11.0	5.0	15.0	0.8	CB24821-3D60****	500	0.010	26.5	15.0	6.0	22.5	0.8	CB24103-3D90****	500
0.0010	18.0	11.0	5.0	15.0	0.8	CB24102-3D60****	500	0.012	26.5	15.0	6.0	22.5	0.8	CB24123-3D90****	500
0.0012	18.0	11.0	5.0	15.0	0.8	CB24122-3D60****	500	0.015	26.5	15.0	6.0	22.5	0.8	CB24153-3D90****	500
0.0015	18.0	11.0	5.0	15.0	0.8	CB24152-3D60****	500	0.018	26.5	16.0	7.0	22.5	0.8	CB24183-3D90****	500
0.0018	18.0	11.0	5.0	15.0	0.8	CB24182-3D60****	500	0.022	26.5	17.0	8.5	22.5	0.8	CB24223-3D90****	500
0.0022	18.0	11.0	5.0	15.0	0.8	CB24222-3D60****	500	0.027	26.5	17.0	8.5	22.5	0.8	CB24273-3D90****	500
0.0027	18.0	11.0	5.0	15.0	0.8	CB24272-3D60****	500	0.033	26.5	18.5	10.0	22.5	0.8	CB24333-3D90****	200
0.0033	18.0	11.0	5.0	15.0	0.8	CB24332-3D60****	500	0.039	26.5	20.0	11.0	22.5	0.8	CB24393-3D90****	200
0.0039	18.0	11.0	5.0	15.0	0.8	CB24392-3D60****	500	0.047	26.5	22.0	12.0	22.5	0.8	CB24473-3D90****	200

备注:

“-”: 客户要求的容量偏差

“-”=custom's capacitor tolerance code, J=±5%, K=±10%, M=±20%

“\*\*\*\*”: 引线加工和包装代码 (见 15 页表 4)

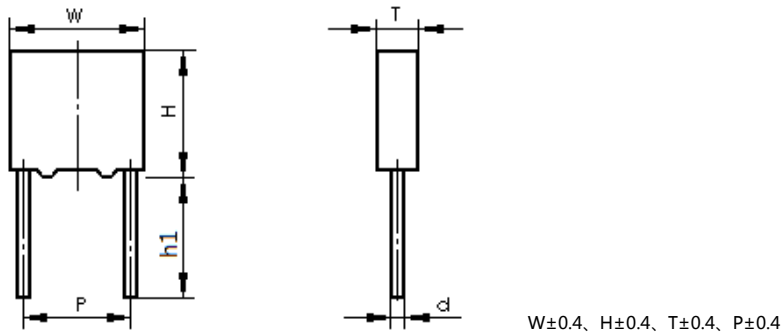
“\*\*\*\*”= Lead form and packing code (refer to table 4 in page 15)

MOQ: 最小订单量

MOQ = Minimum order quantity

## CBB24M 型盒式金属化聚丙烯薄膜电容器 Metallized Polypropylene Film Capacitor (Box-Type)

### ◆ 外形尺寸图及产品结构 Outline Drawing and Capacitor Construction



### ◆ 特点及用途 Application and Feature

高频损耗小，内部温升小，耐高温，适用于高压、大电流的脉冲电路，谐振电路，高频交流负荷，电子照明（如电子镇流器、E-HID等）。

Low loss at high frequency, small inherent temperature rise, high temperature rang. Suitable for pulse applications with high A.C. voltage and high current, resonance circuit, high-frequency A.C. loads and electric lighting(i.e. Electric ballast, E-HID).

### ◆ 技术要求 Specifications

参照标准 Reference Standard	IEC 60384-17、GB 14579
气候类别 Climatic Category	40/125/56
工作温度范围 Operation Temperature Range	-40℃~125℃
额定温度 Rated Temperature	105℃
额定电压 Rated Voltage	305Vac/630Vdc、400Vac/1000Vdc、500Vac/1250Vdc、 600Vac/1400Vdc、700Vac/1600Vdc
电容量范围 Capacitance Range	0.00047μF~15.0μF
电容量偏差 Capacitance Tolerance	±5%(J)、±10%(K)、±20%(M) (20℃, 1kHz)
耐电压 Voltage Proof	$U=1.6U_R$ (20℃, 5s)
绝缘电阻 Insulation Resistance	$C_R \leq 0.33\mu F, IR \geq 100\ 000M\Omega$ $C_R > 0.33\mu F, IR \times C \geq 30\ 000s$ (20℃, 100Vdc, 1min)
损耗角正切 Dissipation Factor	$\leq 0.0010$ (1kHz, 20℃) $\leq 0.0020$ (10kHz, 20℃) ( $C_R \leq 1\mu F$ )
<p>说明：电容器的工作电压随温度上升而下降，在 105~125℃之间，以 105℃为基准，环境温度每上升 1℃，电容器的额定工作电压应降低 1.25%。 Note: The working voltage of the capacitor decreases as the temperature rises. between 105~125℃,take 105℃ as the base, the temperature rises 1℃,the rated working voltage of the capacitor decreases 1.25%.</p>	

### ◆ 最大电压脉冲斜率：Max dv/dt (V/μs)

额定电压 (Vac)	Max dv/dt (V/μs)			
	P=7.5	P=10.0	P=15.0	P=22.5
305	1300	1000	400	300
400	2800	2100	2000	900
500	3800	3000	2400	1200
600	6400	5800	4500	1800
700	/	9500	8000	/



# CBB24M

CBB24M series

◆ 产品尺寸: Product Dimension:

305Vac(630Vdc)																
C ( $\mu$ F)	W	H	T	P	d	产品代码 Part number	MOQ	C ( $\mu$ F)	W	H	T	P	d	产品代码 Part number	MOQ	
0.00047	10.5	8.5	3.5	7.5	0.6	CB24471-P23M****	1000	0.027	13.0	11.0	5.0	10.0	0.6	CB24273-P24M****	500	
0.00056	10.5	8.5	3.5	7.5	0.6	CB24561-P23M****	1000	0.033	13.0	11.0	5.0	10.0	0.6	CB24333-P24M****	500	
0.00068	10.5	8.5	3.5	7.5	0.6	CB24681-P23M****	1000	0.039	13.0	12.0	6.0	10.0	0.6	CB24393-P24M****	500	
0.00082	10.5	8.5	3.5	7.5	0.6	CB24821-P23M****	1000	0.047	13.0	12.0	6.0	10.0	0.6	CB24473-P24M****	500	
0.001	10.5	8.5	3.5	7.5	0.6	CB24102-P23M****	1000	0.027	18.0	11.0	5.0	15.0	0.8	CB24273-P26M****	500	
0.0012	10.5	8.5	3.5	7.5	0.6	CB24122-P23M****	1000	0.033	18.0	11.0	5.0	15.0	0.8	CB24333-P26M****	500	
0.0015	10.5	8.5	3.5	7.5	0.6	CB24152-P23M****	1000	0.039	18.0	11.0	5.0	15.0	0.8	CB24393-P26M****	500	
0.0018	10.5	8.5	3.5	7.5	0.6	CB24182-P23M****	1000	0.047	18.0	11.0	5.0	15.0	0.8	CB24473-P26M****	500	
0.0022	10.5	8.5	3.5	7.5	0.6	CB24222-P23M****	1000	0.056	18.0	11.0	5.0	15.0	0.8	CB24563-P26M****	500	
0.0027	10.5	8.5	3.5	7.5	0.6	CB24272-P23M****	1000	0.068	18.0	12.0	6.0	15.0	0.8	CB24683-P26M****	500	
0.0033	10.5	8.5	3.5	7.5	0.6	CB24332-P23M****	1000	0.082	18.0	12.0	6.0	15.0	0.8	CB24823-P26M****	500	
0.0039	10.5	8.5	3.5	7.5	0.6	CB24392-P23M****	1000	0.1	18.0	13.5	7.5	15.0	0.8	CB24104-P26M****	500	
0.0047	10.5	8.5	3.5	7.5	0.6	CB24472-P23M****	1000	0.12	18.0	13.5	7.5	15.0	0.8	CB24124-P26M****	200	
0.0056	10.5	8.5	3.5	7.5	0.6	CB24562-P23M****	1000	0.15	18.0	14.5	8.5	15.0	0.8	CB24154-P26M****	200	
0.0068	10.5	8.5	3.5	7.5	0.6	CB24682-P23M****	1000	0.18	18.0	16.0	10.0	15.0	0.8	CB24184-P26M****	500	
0.0082	10.5	9.0	4.0	7.5	0.6	CB24822-P23M****	1000	0.22	18.0	16.0	10.0	15.0	0.8	CB24224-P26M****	500	
0.01	10.5	9.0	4.0	7.5	0.6	CB24103-P23M****	1000	0.27	18.0	19.0	11.0	15.0	0.8	CB24274-P26M****	500	
0.012	10.5	11.0	5.0	7.5	0.6	CB24123-P23M****	1000	0.33	18.0	19.0	11.0	15.0	0.8	CB24334-P26M****	500	
0.015	10.5	11.0	5.0	7.5	0.6	CB24153-P23M****	1000	0.18	26.5	15.0	6.0	22.5	0.8	CB24184-P29M****	200	
0.018	10.5	11.0	5.0	7.5	0.6	CB24183-P23M****	1000	0.22	26.5	16.0	7.0	22.5	0.8	CB24224-P29M****	200	
0.022	10.5	12.0	6.0	7.5	0.6	CB24223-P23M****	1000	0.27	26.5	17.0	8.5	22.5	0.8	CB24274-P29M****	200	
0.027	10.5	12.0	6.0	7.5	0.6	CB24273-P23M****	1000	0.33	26.5	17.0	8.5	22.5	0.8	CB24334-P29M****	200	
0.01	13.0	8.5	3.5	10.0	0.6	CB24103-P24M****	500	0.39	26.5	18.5	10.0	22.5	0.8	CB24394-P29M****	200	
0.012	13.0	8.5	3.5	10.0	0.6	CB24123-P24M****	500	0.47	26.5	18.5	10.0	22.5	0.8	CB24474-P29M****	200	
0.015	13.0	9.0	4.0	10.0	0.6	CB24153-P24M****	500	0.56	26.5	20.0	11.0	22.5	0.8	CB24564-P29M****	200	
0.018	13.0	9.0	4.0	10.0	0.6	CB24183-P24M****	500	0.68	26.5	22.0	12.0	22.5	0.8	CB24684-P29M****	200	
0.022	13.0	11.0	5.0	10.0	0.6	CB24223-P24M****	500									

备注:

“-”: 客户要求的容量偏差

“\*\*\*\*”: 引线加工和包装代码 (见 15 页表 4)

MOQ: 最小订单量

“-”=custom's capacitor tolerance code, J=±5%, K=±10%, M=±20%

“\*\*\*\*”= Lead form and packing code (refer to table 4 in page 15)

MOQ = Minimum order quantity

◆ 产品尺寸: Product Dimension:

400Vac(1000Vdc)															
C ( $\mu$ F)	W	H	T	P	d	产品代码 Part number	MOQ	C ( $\mu$ F)	W	H	T	P	d	产品代码 Part number	MOQ
0.00047	10.5	8.5	3.5	7.5	0.6	CB24471-G23M****	1000	0.01	13.0	11.0	5.0	10.0	0.6	CB24103-G24M****	500
0.00056	10.5	8.5	3.5	7.5	0.6	CB24561-G23M****	1000	0.012	13.0	11.0	5.0	10.0	0.6	CB24123-G24M****	500
0.00068	10.5	8.5	3.5	7.5	0.6	CB24681-G23M****	1000	0.015	13.0	12.0	6.0	10.0	0.6	CB24153-G24M****	500
0.00082	10.5	8.5	3.5	7.5	0.6	CB24821-G23M****	1000	0.018	13.0	12.0	6.0	10.0	0.6	CB24183-G24M****	500
0.0010	10.5	8.5	3.5	7.5	0.6	CB24102-G23M****	1000	0.022	18.0	11.0	5.0	15.0	0.8	CB24223-G26M****	500
0.0012	10.5	8.5	3.5	7.5	0.6	CB24122-G23M****	1000	0.027	18.0	11.0	5.0	15.0	0.8	CB24273-G26M****	500
0.0015	10.5	8.5	3.5	7.5	0.6	CB24152-G23M****	1000	0.033	18.0	12.0	6.0	15.0	0.8	CB24333-G26M****	500
0.0018	10.5	8.5	3.5	7.5	0.6	CB24182-G23M****	1000	0.039	18.0	12.0	6.0	15.0	0.8	CB24393-G26M****	500
0.0022	10.5	8.5	3.5	7.5	0.6	CB24222-G23M****	1000	0.047	18.0	13.5	7.5	15.0	0.8	CB24473-G26M****	500
0.0027	10.5	8.5	3.5	7.5	0.6	CB24272-G23M****	1000	0.056	18.0	13.5	7.5	15.0	0.8	CB24563-G26M****	500
0.0033	10.5	9.0	4.0	7.5	0.6	CB24332-G23M****	1000	0.068	18.0	14.5	8.5	15.0	0.8	CB24683-G26M****	500
0.0039	10.5	11.0	5.0	7.5	0.6	CB24392-G23M****	1000	0.082	18.0	16.0	10.0	15.0	0.8	CB24823-G26M****	500
0.0047	10.5	11.0	5.0	7.5	0.6	CB24472-G23M****	1000	0.1	18.0	16.0	10.0	15.0	0.8	CB24104-G26M****	500
0.0056	10.5	11.0	5.0	7.5	0.6	CB24562-G23M****	1000	0.12	18.0	19.0	11.0	15.0	0.8	CB24124-G26M****	200
0.0068	10.5	11.0	5.0	7.5	0.6	CB24682-G23M****	1000	0.15	18.0	19.0	11.0	15.0	0.8	CB24154-G26M****	200
0.0082	10.5	12.0	6.0	7.5	0.6	CB24822-G23M****	1000	0.068	26.5	15.0	6.0	22.5	0.8	CB24683-G29M****	500
0.0100	10.5	12.0	6.0	7.5	0.6	CB24103-G23M****	1000	0.082	26.5	15.0	6.0	22.5	0.8	CB24823-G29M****	500
0.0033	13.0	8.5	3.5	10.0	0.6	CB24332-G24M****	500	0.1	26.5	16.0	7.0	22.5	0.8	CB24104-G29M****	500
0.0039	13.0	9.0	4.0	10.0	0.6	CB24392-G24M****	500	0.12	26.5	17.0	8.5	22.5	0.8	CB24124-G29M****	500
0.0047	13.0	9.0	4.0	10.0	0.6	CB24472-G24M****	500	0.15	26.5	17.0	8.5	22.5	0.8	CB24154-G29M****	500
0.0056	13.0	11.0	5.0	10.0	0.6	CB24562-G24M****	500	0.18	26.5	18.5	10.0	22.5	0.8	CB24184-G29M****	200
0.0068	13.0	11.0	5.0	10.0	0.6	CB24682-G24M****	500	0.22	26.5	20.0	11.0	22.5	0.8	CB24224-G29M****	200
0.0082	13.0	11.0	5.0	10.0	0.6	CB24822-G24M****	500	0.27	26.5	22.0	12.0	22.5	0.8	CB24274-G29M****	200

备注:

“-”: 客户要求的容量偏差

“\*\*\*\*”: 引线加工和包装代码 (见 15 页表 4)

MOQ: 最小订单量

“-”=custom's capacitor tolerance code, J=±5%, K=±10%, M=±20%

“\*\*\*\*”= Lead form and packing code (refer to table 4 in page 15)

MOQ = Minimum order quantity





# CBB24M

## CBB24M series

### ◆ 产品尺寸: Product Dimension:

500Vac(1250Vdc)																
C ( $\mu$ F)	W	H	T	P	d	产品代码 Part number	MOQ	C ( $\mu$ F)	W	H	T	P	d	产品代码 Part number	MOQ	
0.00047	10.5	8.5	3.5	7.5	0.6	CB24471-H23M****	1000	0.0082	13.0	11.0	5.0	10.0	0.6	CB24822-H24M****	500	
0.00056	10.5	8.5	3.5	7.5	0.6	CB24561-H23M****	1000	0.01	13.0	12.0	6.0	10.0	0.6	CB24103-H24M****	500	
0.00068	10.5	8.5	3.5	7.5	0.6	CB24681-H23M****	1000	0.012	13.0	12.0	6.0	10.0	0.6	CB24123-H24M****	500	
0.00082	10.5	8.5	3.5	7.5	0.6	CB24821-H23M****	1000	0.012	18.0	11.0	5.0	15.0	0.8	CB24123-H26M****	500	
0.0010	10.5	8.5	3.5	7.5	0.6	CB24102-H23M****	1000	0.015	18.0	11.0	5.0	15.0	0.8	CB24153-H26M****	500	
0.0012	10.5	8.5	3.5	7.5	0.6	CB24122-H23M****	1000	0.018	18.0	12.0	6.0	15.0	0.8	CB24183-H26M****	500	
0.0015	10.5	8.5	3.5	7.5	0.6	CB24152-H23M****	1000	0.022	18.0	12.0	6.0	15.0	0.8	CB24223-H26M****	500	
0.0018	10.5	8.5	3.5	7.5	0.6	CB24182-H23M****	1000	0.027	18.0	13.5	7.5	15.0	0.8	CB24273-H26M****	500	
0.0022	10.5	8.5	3.5	7.5	0.6	CB24222-H23M****	1000	0.033	18.0	13.5	7.5	15.0	0.8	CB24333-H26M****	500	
0.0027	10.5	8.5	3.5	7.5	0.6	CB24272-H23M****	1000	0.039	18.0	14.5	8.5	15.0	0.8	CB24393-H26M****	500	
0.0033	10.5	9.0	4.0	7.5	0.6	CB24332-H23M****	1000	0.047	18.0	16.0	10.0	15.0	0.8	CB24473-H26M****	500	
0.0039	10.5	11.0	5.0	7.5	0.6	CB24392-H23M****	1000	0.056	18.0	16.0	10.0	15.0	0.8	CB24563-H26M****	500	
0.0047	10.5	11.0	5.0	7.5	0.6	CB24472-H23M****	1000	0.068	18.0	19.0	11.0	15.0	0.8	CB24683-H26M****	200	
0.0056	10.5	11.0	5.0	7.5	0.6	CB24562-H23M****	1000	0.082	18.0	19.0	11.0	15.0	0.8	CB24823-H26M****	200	
0.0068	10.5	11.0	5.0	7.5	0.6	CB24682-H23M****	1000	0.039	26.5	15.0	6.0	22.5	0.8	CB24393-H29M****	500	
0.0082	10.5	12.0	6.0	7.5	0.6	CB24822-H23M****	1000	0.047	26.5	16.0	7.0	22.5	0.8	CB24473-H29M****	500	
0.0100	10.5	12.0	6.0	7.5	0.6	CB24103-H23M****	1000	0.056	26.5	16.0	7.0	22.5	0.8	CB24563-H29M****	500	
0.0033	13.0	8.5	3.5	10.0	0.6	CB24332-H24M****	500	0.068	26.5	17.0	8.5	22.5	0.8	CB24683-H29M****	500	
0.0039	13.0	9.0	4.0	10.0	0.6	CB24392-H24M****	500	0.082	26.5	17.0	8.5	22.5	0.8	CB24823-H29M****	500	
0.0047	13.0	9.0	4.0	10.0	0.6	CB24472-H24M****	500	0.1	26.5	18.5	10.0	22.5	0.8	CB24104-H29M****	200	
0.0056	13.0	11.0	5.0	10.0	0.6	CB24562-H24M****	500	0.12	26.5	20.0	11.0	22.5	0.8	CB24124-H29M****	200	
0.0068	13.0	11.0	5.0	10.0	0.6	CB24682-H24M****	500	0.15	26.5	22.0	12.0	22.5	0.8	CB24154-H29M****	200	

备注:

“-”: 客户要求的容量偏差

“\*\*\*\*”: 引线加工和包装代码 (见 15 页表 4)

MOQ: 最小订单量

“-”=custom's capacitor tolerance code, J=±5%, K=±10%, M=±20%

“\*\*\*\*”= Lead form and packing code (refer to table 4 in page 15)

MOQ = Minimum order quantity

◆ 产品尺寸: Product Dimension:

600Vac(1400Vdc)															
C (μF)	W	H	T	P	d	产品代码 Part number	MOQ	C (μF)	W	H	T	P	d	产品代码 Part number	MOQ
0.00047	10.5	8.5	3.5	7.5	0.6	CB24471-U13M****	1000	0.0068	13.0	11.0	5.0	10.0	0.6	CB24682-U14M****	500
0.00056	10.5	8.5	3.5	7.5	0.6	CB24561-U13M****	1000	0.0082	13.0	12.0	6.0	10.0	0.6	CB24822-U14M****	500
0.00068	10.5	8.5	3.5	7.5	0.6	CB24681-U13M****	1000	0.0082	18.0	11.0	5.0	15.0	0.8	CB24822-U16M****	500
0.00082	10.5	8.5	3.5	7.5	0.6	CB24821-U13M****	1000	0.01	18.0	12.0	6.0	15.0	0.8	CB24103-U16M****	500
0.0010	10.5	8.5	3.5	7.5	0.6	CB24102-U13M****	1000	0.012	18.0	12.0	6.0	15.0	0.8	CB24123-U16M****	500
0.0012	10.5	8.5	3.5	7.5	0.6	CB24122-U13M****	1000	0.015	18.0	13.5	7.5	15.0	0.8	CB24153-U16M****	500
0.0015	10.5	8.5	3.5	7.5	0.6	CB24152-U13M****	1000	0.018	18.0	13.5	7.5	15.0	0.8	CB24183-U16M****	500
0.0018	10.5	8.5	3.5	7.5	0.6	CB24182-U13M****	1000	0.022	18.0	14.5	8.5	15.0	0.8	CB24223-U16M****	500
0.0022	10.5	9.0	4.0	7.5	0.6	CB24222-U13M****	1000	0.027	18.0	16.0	10.0	15.0	0.8	CB24273-U16M****	500
0.0027	10.5	11.0	5.0	7.5	0.6	CB24272-U13M****	1000	0.033	18.0	16.0	10.0	15.0	0.8	CB24333-U16M****	500
0.0033	10.5	11.0	5.0	7.5	0.6	CB24332-U13M****	1000	0.039	18.0	19.0	11.0	15.0	0.8	CB24393-U16M****	200
0.0039	10.5	11.0	5.0	7.5	0.6	CB24392-U13M****	1000	0.047	18.0	19.0	11.0	15.0	0.8	CB24473-U16M****	200
0.0047	10.5	11.0	5.0	7.5	0.6	CB24472-U13M****	1000	0.027	26.5	15.0	6.0	22.5	0.8	CB24273-U19M****	500
0.0056	10.5	12.0	6.0	7.5	0.6	CB24562-U13M****	1000	0.033	26.5	16.0	7.0	22.5	0.8	CB24333-U19M****	500
0.0068	10.5	12.0	6.0	7.5	0.6	CB24682-U13M****	1000	0.039	26.5	16.0	7.0	22.5	0.8	CB24393-U19M****	500
0.0022	13.0	8.5	3.5	10.0	0.6	CB24222-U14M****	500	0.047	26.5	17.0	8.5	22.5	0.8	CB24473-U19M****	500
0.0027	13.0	9.0	4.0	10.0	0.6	CB24272-U14M****	500	0.056	26.5	17.0	8.5	22.5	0.8	CB24563-U19M****	500
0.0033	13.0	9.0	4.0	10.0	0.6	CB24332-U14M****	500	0.068	26.5	18.5	10.0	22.5	0.8	CB24683-U19M****	200
0.0039	13.0	11.0	5.0	10.0	0.6	CB24392-U14M****	500	0.082	26.5	20.0	11.0	22.5	0.8	CB24823-U19M****	200
0.0047	13.0	11.0	5.0	10.0	0.6	CB24472-U14M****	500	0.1	26.5	22.0	12.0	22.5	0.8	CB24104-U19M****	200
0.0056	13.0	11.0	5.0	10.0	0.6	CB24562-U14M****	500								

700Vac(1600Vdc)															
C (μF)	W	H	T	P	d	产品代码 Part number	MOQ	C (μF)	W	H	T	P	d	产品代码 Part number	MOQ
0.0010	13.0	8.5	3.5	10.0	0.6	CB24102-V14M****	500	0.0047	18.0	11.0	5.0	15.0	0.8	CB24472-V16M****	500
0.0012	13.0	8.5	3.5	10.0	0.6	CB24122-V14M****	500	0.0056	18.0	11.0	5.0	15.0	0.8	CB24562-V16M****	500
0.0015	13.0	9.0	4.0	10.0	0.6	CB24152-V14M****	500	0.0068	18.0	11.0	5.0	15.0	0.8	CB24682-V16M****	500
0.0018	13.0	9.0	4.0	10.0	0.6	CB24182-V14M****	500	0.0082	18.0	12.0	6.0	15.0	0.8	CB24822-V16M****	500
0.0022	13.0	9.0	4.0	10.0	0.6	CB24222-V14M****	500	0.0100	18.0	12.0	6.0	15.0	0.8	CB24103-V16M****	500
0.0027	13.0	9.0	4.0	10.0	0.6	CB24272-V14M****	500	0.0120	18.0	12.0	6.0	15.0	0.8	CB24123-V16M****	500
0.0033	13.0	11.0	5.0	10.0	0.6	CB24332-V14M****	500	0.0150	18.0	13.5	7.5	15.0	0.8	CB24153-V16M****	500
0.0039	13.0	11.0	5.0	10.0	0.6	CB24392-V14M****	500	0.0180	18.0	14.5	8.5	15.0	0.8	CB24183-V16M****	500
0.0047	13.0	12.0	6.0	10.0	0.6	CB24472-V14M****	500	0.0220	18.0	14.5	8.5	15.0	0.8	CB24223-V16M****	500
0.0056	13.0	12.0	6.0	10.0	0.6	CB24562-V14M****	500	0.0270	18.0	16.0	10.0	15.0	0.8	CB24273-V16M****	500
								0.0330	18.0	16.0	10.0	15.0	0.8	CB24333-V16M****	500

备注:

“-”: 客户要求的容量偏差

“\*\*\*\*”: 引线加工和包装代码 (见 15 页表 4)

MOQ: 最小订单量

“-”=custom's capacitor tolerance code, J=±5%, K=±10%, M=±20%

“\*\*\*\*”= Lead form and packing code (refer to table 4 in page 15)

MOQ = Minimum order quantity

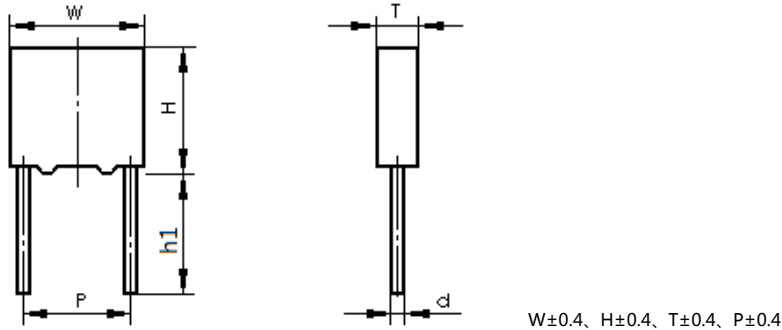


**CBB25**  
CBB25 series

## CBB25 型盒式金属化聚丙烯薄膜电容器

### Metallized Polypropylene Film Capacitor (Box-Type)

#### ◆ 外形尺寸图及产品结构 Outline Drawing and Capacitor Construction



#### ◆ 特点及用途 Application and Feature

金属化聚丙烯膜，耐压高，适用于开关电源、电子镇流器和变频器等直流滤波(PFC、DC-Link 等)。  
Metallized polypropylene film, high-voltage proof. Suitable for the DC filter, DC-blocking circuit (PFC, DC-Link).

#### ◆ 技术要求 Specifications

参照标准 Reference Standard	GB 10190、IEC 60384-16
气候类别 Climatic Category	40/105/56
工作温度范围 Operation Temperature Range	-40℃~105℃
额定温度 Rated Temperature	85℃
额定电压 Rated Voltage	400Vdc/450Vdc、520Vdc、630Vdc
电容量范围 Capacitance Range	0.027μF~10.0μF
电容量偏差 Capacitance Tolerance	±5%(J)、±10%(K)、±20%(M) (20℃, 1kHz)
耐电压 Voltage Proof	U=1.6U <sub>R</sub> , 5s(20℃)
绝缘电阻 Insulation Resistance	C <sub>R</sub> ≤0.33μF, IR≥100 000MΩ C <sub>R</sub> >0.33μF, IR×C≥30 000s (20℃, 100Vdc, 1min)
损耗角正切 Dissipation Factor	1kHz: Tan δ≤0.0010 10kHz: Tan δ≤0.0030 (C <sub>R</sub> ≤1μF)
说明：电容器的工作电压随温度上升而下降，在 85~105℃之间，以 85℃为基准，环境温度每上升 1℃，电容器的额定工作电压应降低 1.25%。 Note: The working voltage of the capacitor decreases as the temperature rises. between 85~105℃,take 85℃ as the base, the temperature rises 1℃,the rated working voltage of the capacitor decreases 1.25%.	

#### ◆ 最大电压脉冲斜率：Max dv/dt (V/μs)

额定电压 (Vdc)	Max dv/dt (V/μs)			
	P=10.0	P=15.0	P=22.5	P=27.5
400/450	300	200	100	80
520	350	220	150	100
630	400	300	180	120
400/450 Miniature	100	65	35	20
520 Miniature	120	80	60	40
630 Miniature	200	160	70	50

◆ 产品尺寸: Product Dimension:

400Vdc/450Vdc <sup>▲</sup>															
C (μF)	W	H	T	P	d	产品代码 Part number	MOQ	C (μF)	W	H	T	P	d	产品代码 Part number	MOQ
0.068	13.0	9.0	4.0	10.0	0.6	CB25683-2G40****	500	0.22	26.5	15.0	6.0	22.5	0.8	CB25224-2G90****	500
0.082	13.0	9.0	4.0	10.0	0.6	CB25823-2G40****	500	0.27	26.5	15.0	6.0	22.5	0.8	CB25274-2G90****	500
0.10	13.0	11.0	5.0	10.0	0.6	CB25104-2G40****	500	0.33	26.5	15.0	6.0	22.5	0.8	CB25334-2G90****	500
0.12	13.0	11.0	5.0	10.0	0.6	CB25124-2G40****	500	0.39	26.5	15.0	6.0	22.5	0.8	CB25394-2G90****	500
0.15	13.0	12.0	6.0	10.0	0.6	CB25154-2G40****	500	0.47	26.5	15.0	6.0	22.5	0.8	CB25474-2G90****	500
0.18	13.0	12.0	6.0	10.0	0.6	CB25184-2G40****	500	0.56	26.5	15.0	6.0	22.5	0.8	CB25564-2G90****	500
0.22	13.0	13.0	7.0	10.0	0.6	CB25224-2G40****	500	0.68	26.5	15.0	6.0	22.5	0.8	CB25684-2G90****	500
0.27	13.0	13.0	7.0	10.0	0.6	CB25274-2G40****	500	0.82	26.5	16.0	7.0	22.5	0.8	CB25824-2G90****	500
0.33	13.0	14.0	8.0	10.0	0.6	CB25334-2G40****	500	1.0	26.5	17.0	8.5	22.5	0.8	CB25105-2G90****	500
0.10	18.0	11.0	5.0	15.0	0.6	CB25104-2G60****	500	1.2	26.5	18.5	10.0	22.5	0.8	CB25125-2G90****	200
0.12	18.0	11.0	5.0	15.0	0.6	CB25124-2G60****	500	1.8	26.5	20.0	11.0	22.5	0.8	CB25185-2G90****	200
0.15	18.0	11.0	5.0	15.0	0.6	CB25154-2G60****	500	2.2	26.5	22.0	12.0	22.5	0.8	CB25225-2G90****	500
0.18	18.0	11.0	5.0	15.0	0.6	CB25184-2G60****	500	0.68	32.0	18.0	9.0	27.5	0.8	CB25684-2GB0****	500
0.22	18.0	11.0	5.0	15.0	0.6	CB25224-2G60****	500	0.82	32.0	18.0	9.0	27.5	0.8	CB25824-2GB0****	500
0.27	18.0	12.0	6.0	15.0	0.6	CB25274-2G60****	500	1.0	32.0	18.0	9.0	27.5	0.8	CB25105-2GB0****	500
0.33	18.0	12.0	6.0	15.0	0.6	CB25334-2G60****	500	1.2	32.0	18.0	9.0	27.5	0.8	CB25125-2GB0****	500
0.39	18.0	13.5	7.5	15.0	0.6	CB25394-2G60****	500	1.5	32.0	18.0	9.0	27.5	0.8	CB25155-2GB0****	500
0.47	18.0	13.5	7.5	15.0	0.6	CB25474-2G60****	500	1.8	32.0	20.0	11.0	27.5	0.8	CB25185-2GB0****	200
0.56	18.0	13.5	7.5	15.0	0.6	CB25564-2G60****	500	2.2	32.0	20.0	11.0	27.5	0.8	CB25225-2GB0****	200
0.68	18.0	14.5	8.5	15.0	0.8	CB25684-2G60****	500	2.7	32.0	22.0	13.0	27.5	0.8	CB25275-2GB0****	100
0.82	18.0	16.0	10.0	15.0	0.8	CB25824-2G60****	500	3.3	32.0	22.0	13.0	27.5	0.8	CB25335-2GB0****	100
1.00	18.0	19.0	11.0	15.0	0.8	CB25105-2G60****	200	3.9	32.0	24.5	15.0	27.5	0.8	CB25395-2GB0****	100
								4.7	32.0	28.0	17.0	27.5	0.8	CB25475-2GB0****	50
								5.6	32.0	33.0	18.0	27.5	0.8	CB25565-2GB0****	50
								6.8	32.0	33.0	18.0	27.5	0.8	CB25685-2GB0****	50
								8.2	32.0	33.0	18.0	27.5	0.8	CB25825-2GB0****	50
								10.0	32.0	37.0	22.0	27.5	0.8	CB25106-2GB0****	50

备注:

“-”: 客户要求的容量偏差

“\*\*\*\*”: 引线加工和包装代码 (见 15 页表 4)

“▲”: 当额定电压为 450Vdc 时, 第 9~10 位为 2S

MOQ: 最小订单量

“-”=custom's capacitor tolerance code, J=±5%, K=±10%, M=±20%

“\*\*\*\*”= Lead form and packing code (refer to table 4 in page 15)

“▲”=when the rated voltage is 450Vdc, the digit 9~10 is 2S

MOQ = Minimum order quantity



# CBB25

CBB25 series

◆ 产品尺寸: Product Dimension:

520Vdc															
C (μF)	W	H	T	P	d	产品代码 Part number	MOQ	C (μF)	W	H	T	P	d	产品代码 Part number	MOQ
0.047	13.0	9.0	4.0	10.0	0.6	CB25473-2T40****	500	0.18	26.5	15.0	6.0	22.5	0.8	CB25184-2T90****	500
0.056	13.0	9.0	4.0	10.0	0.6	CB25563-2T40****	500	0.22	26.5	15.0	6.0	22.5	0.8	CB25224-2T90****	500
0.068	13.0	9.0	4.0	10.0	0.6	CB25683-2T40****	500	0.27	26.5	15.0	6.0	22.5	0.8	CB25274-2T90****	500
0.082	13.0	11.0	5.0	10.0	0.6	CB25823-2T40****	500	0.33	26.5	15.0	6.0	22.5	0.8	CB25334-2T90****	500
0.10	13.0	11.0	5.0	10.0	0.6	CB25104-2T40****	500	0.39	26.5	15.0	6.0	22.5	0.8	CB25394-2T90****	500
0.12	13.0	12.0	6.0	10.0	0.6	CB25124-2T40****	500	0.47	26.5	15.0	6.0	22.5	0.8	CB25474-2T90****	500
0.15	13.0	12.0	6.0	10.0	0.6	CB25154-2T40****	500	0.56	26.5	16.0	7.0	22.5	0.8	CB25564-2T90****	500
0.18	13.0	13.0	7.0	10.0	0.6	CB25184-2T40****	500	0.68	26.5	16.0	7.0	22.5	0.8	CB25684-2T90****	500
0.22	13.0	13.0	7.0	10.0	0.6	CB25224-2T40****	500	0.82	26.5	17.0	8.5	22.5	0.8	CB25824-2T90****	500
0.27	13.0	14.0	8.0	10.0	0.6	CB25274-2T40****	500	1.0	26.5	18.5	10.0	22.5	0.8	CB25105-2T90****	200
0.033	18.0	11.0	5.0	15.0	0.6	CB25333-2T60****	500	1.2	26.5	18.5	10.0	22.5	0.8	CB25125-2T90****	200
0.039	18.0	11.0	5.0	15.0	0.6	CB25393-2T60****	500	1.5	26.5	20.0	11.0	22.5	0.8	CB25155-2T90****	200
0.047	18.0	11.0	5.0	15.0	0.6	CB25473-2T60****	500	1.8	26.5	22.0	12.0	22.5	0.8	CB25185-2T90****	200
0.056	18.0	11.0	5.0	15.0	0.6	CB25563-2T60****	500	2.2	26.5	22.0	12.0	22.5	0.8	CB25225-2T90****	200
0.068	18.0	11.0	5.0	15.0	0.6	CB25683-2T60****	500	0.22	32.0	18.0	9.0	27.5	0.8	CB25224-2TB0****	500
0.082	18.0	11.0	5.0	15.0	0.6	CB25823-2T60****	500	0.27	32.0	18.0	9.0	27.5	0.8	CB25274-2TB0****	500
0.10	18.0	11.0	5.0	15.0	0.6	CB25104-2T60****	500	0.33	32.0	18.0	9.0	27.5	0.8	CB25334-2TB0****	500
0.12	18.0	11.0	5.0	15.0	0.6	CB25124-2T60****	500	0.39	32.0	18.0	9.0	27.5	0.8	CB25394-2TB0****	500
0.15	18.0	11.0	5.0	15.0	0.6	CB25154-2T60****	500	0.47	32.0	18.0	9.0	27.5	0.8	CB25474-2TB0****	500
0.18	18.0	11.0	5.0	15.0	0.6	CB25184-2T60****	500	0.56	32.0	18.0	9.0	27.5	0.8	CB25564-2TB0****	500
0.22	18.0	12.0	6.0	15.0	0.6	CB25224-2T60****	500	0.68	32.0	18.0	9.0	27.5	0.8	CB25684-2TB0****	500
0.27	18.0	12.0	6.0	15.0	0.6	CB25274-2T60****	500	0.82	32.0	18.0	9.0	27.5	0.8	CB25824-2TB0****	500
0.33	18.0	13.5	7.5	15.0	0.6	CB25334-2T60****	500	1.0	32.0	18.0	9.0	27.5	0.8	CB25105-2TB0****	500
0.39	18.0	13.5	7.5	15.0	0.6	CB25394-2T60****	500	1.2	32.0	18.0	9.0	27.5	0.8	CB25125-2TB0****	500
0.47	18.0	14.5	8.5	15.0	0.8	CB25474-2T60****	500	1.5	32.0	20.0	11.0	27.5	0.8	CB25155-2TB0****	200
0.56	18.0	14.5	8.5	15.0	0.8	CB25564-2T60****	500	1.8	32.0	20.0	11.0	27.5	0.8	CB25185-2TB0****	200
0.68	18.0	16.0	10.0	15.0	0.8	CB25684-2T60****	500	2.2	32.0	22.0	13.0	27.5	0.8	CB25225-2TB0****	100
0.82	18.0	19.0	11.0	15.0	0.8	CB25824-2T60****	500	2.7	32.0	24.5	15.0	27.5	0.8	CB25275-2TB0****	100
1.0	18.0	19.0	11.0	15.0	0.8	CB25105-2T60****	200	3.3	32.0	28.0	14.0	27.5	0.8	CB25335-2TB0****	100
								3.9	32.0	28.0	14.0	27.5	0.8	CB25395-2TB0****	100
								4.7	32.0	33.0	18.0	27.5	0.8	CB25475-2TB0****	50
								5.6	32.0	33.0	18.0	27.5	0.8	CB25565-2TB0****	50
								6.8	32.0	33.0	18.0	27.5	0.8	CB25685-2TB0****	50
								8.2	32.0	37.0	22.0	27.5	0.8	CB25825-2TB0****	50

备注:

“-”: 客户要求的容量偏差

“\*\*\*\*”: 引线加工和包装代码 (见 15 页表 4)

MOQ: 最小订单量

“-”=custom's capacitor tolerance code, J=±5%, K=±10%, M=±20%

“\*\*\*\*”= Lead form and packing code (refer to table 4 in page 15)

MOQ = Minimum order quantity

◆ 产品尺寸: Product Dimension:

630Vdc															
C (μF)	W	H	T	P	d	产品代码 Part number	MOQ	C (μF)	W	H	T	P	d	产品代码 Part number	MOQ
0.027	13.0	9.0	4.0	10.0	0.6	CB25273-2J40****	500	0.15	26.5	15.0	6.0	22.5	0.8	CB25154-2J90****	500
0.033	13.0	9.0	4.0	10.0	0.6	CB25333-2J40****	500	0.18	26.5	15.0	6.0	22.5	0.8	CB25184-2J90****	500
0.039	13.0	9.0	4.0	10.0	0.6	CB25393-2J40****	500	0.22	26.5	15.0	6.0	22.5	0.8	CB25224-2J90****	500
0.047	13.0	11.0	5.0	10.0	0.6	CB25473-2J40****	500	0.27	26.5	15.0	6.0	22.5	0.8	CB25274-2J90****	500
0.056	13.0	11.0	5.0	10.0	0.6	CB25563-2J40****	500	0.33	26.5	15.0	6.0	22.5	0.8	CB25334-2J90****	500
0.068	13.0	11.0	5.0	10.0	0.6	CB25683-2J40****	500	0.39	26.5	16.0	7.0	22.5	0.8	CB25394-2J90****	500
0.082	13.0	12.0	6.0	10.0	0.6	CB25823-2J40****	500	0.47	26.5	16.0	7.0	22.5	0.8	CB25474-2J90****	500
0.10	13.0	12.0	6.0	10.0	0.6	CB25104-2J40****	500	0.56	26.5	17.0	8.5	22.5	0.8	CB25564-2J90****	500
0.12	13.0	13.0	7.0	10.0	0.6	CB25124-2J40****	500	0.68	26.5	17.0	8.5	22.5	0.8	CB25684-2J90****	500
0.15	13.0	13.0	7.0	10.0	0.6	CB25154-2J40****	500	0.82	26.5	18.5	10.0	22.5	0.8	CB25824-2J90****	200
0.18	13.0	14.0	8.0	10.0	0.6	CB25184-2J40****	500	1.0	26.5	18.5	10.0	22.5	0.8	CB25105-2J90****	200
0.033	18.0	11.0	5.0	15.0	0.6	CB25333-2J60****	500	1.2	26.5	22.0	12.0	22.5	0.8	CB25125-2J90****	200
0.039	18.0	11.0	5.0	15.0	0.6	CB25393-2J60****	500	0.22	32.0	18.0	9.0	27.5	0.8	CB25224-2JB0****	500
0.047	18.0	11.0	5.0	15.0	0.6	CB25473-2J60****	500	0.27	32.0	18.0	9.0	27.5	0.8	CB25274-2JB0****	500
0.056	18.0	11.0	5.0	15.0	0.6	CB25563-2J60****	500	0.33	32.0	18.0	9.0	27.5	0.8	CB25334-2JB0****	500
0.068	18.0	11.0	5.0	15.0	0.6	CB25683-2J60****	500	0.39	32.0	18.0	9.0	27.5	0.8	CB25394-2JB0****	500
0.082	18.0	11.0	5.0	15.0	0.6	CB25823-2J60****	500	0.47	32.0	18.0	9.0	27.5	0.8	CB25474-2JB0****	500
0.10	18.0	11.0	5.0	15.0	0.6	CB25104-2J60****	500	0.56	32.0	18.0	9.0	27.5	0.8	CB25564-2JB0****	500
0.12	18.0	11.0	5.0	15.0	0.6	CB25124-2J60****	500	0.68	32.0	18.0	9.0	27.5	0.8	CB25684-2JB0****	500
0.15	18.0	12.0	6.0	15.0	0.6	CB25154-2J60****	500	0.82	32.0	18.0	9.0	27.5	0.8	CB25824-2JB0****	500
0.18	18.0	12.0	6.0	15.0	0.6	CB25184-2J60****	500	1.0	32.0	20.0	11.0	27.5	0.8	CB25105-2JB0****	200
0.22	18.0	13.5	7.5	15.0	0.6	CB25224-2J60****	500	1.2	32.0	20.0	11.0	27.5	0.8	CB25125-2JB0****	200
0.27	18.0	13.5	7.5	15.0	0.6	CB25274-2J60****	500	1.5	32.0	22.0	13.0	27.5	0.8	CB25155-2JB0****	100
0.33	18.0	14.5	8.5	15.0	0.8	CB25334-2J60****	500	1.8	32.0	22.0	13.0	27.5	0.8	CB25185-2JB0****	100
0.39	18.0	16.0	10.0	15.0	0.8	CB25394-2J60****	500	2.2	32.0	24.5	15.0	27.5	0.8	CB25225-2JB0****	100
0.47	18.0	16.0	10.0	15.0	0.8	CB25474-2J60****	500	2.7	32.0	28.0	14.0	27.5	0.8	CB25275-2JB0****	100
0.56	18.0	19.0	11.0	15.0	0.8	CB25564-2J60****	200	3.3	32.0	33.0	18.0	27.5	0.8	CB25335-2JB0****	50
0.68	18.0	19.0	11.0	15.0	0.8	CB25684-2J60****	200	3.9	32.0	33.0	18.0	27.5	0.8	CB25395-2JB0****	50
								4.7	32.0	37.0	22.0	27.5	0.8	CB25475-2JB0****	50
								5.6	32.0	37.0	22.0	27.5	0.8	CB25565-2JB0****	50

备注:

“-”: 客户要求的容量偏差

“\*\*\*\*”: 引线加工和包装代码 (见 15 页表 4)

MOQ: 最小订单量

“-”=custom’s capacitor tolerance code, J=±5%, K=±10%, M=±20%

“\*\*\*\*”= Lead form and packing code (refer to table 4 in page 15)

MOQ = Minimum order quantity



CBB25

CBB25 series

◆ 小型化产品尺寸: **Miniature Product Dimension:**

400Vdc/450Vdc <sup>▲</sup>																
C (μF)	W	H	T	P	d	产品代码 Part number	MOQ	C (μF)	W	H	T	P	d	产品代码 Part number	MOQ	
0.12	13.0	9.0	4.0	10.0	0.6	CB25124-2G4M****	500	1.0	26.5	15.0	6.0	22.5	0.8	CB25105-2G9M****	500	
0.15	13.0	9.0	4.0	10.0	0.6	CB25154-2G4M****	500	1.2	26.5	15.0	6.0	22.5	0.8	CB25125-2G9M****	500	
0.18	13.0	11.0	5.0	10.0	0.6	CB25184-2G4M****	500	1.5	26.5	16.0	7.0	22.5	0.8	CB25155-2G9M****	500	
0.22	13.0	11.0	5.0	10.0	0.6	CB25224-2G4M****	500	1.8	26.5	16.0	7.0	22.5	0.8	CB25185-2G9M****	500	
0.27	13.0	12.0	6.0	10.0	0.6	CB25274-2G4M****	500	2.2	26.5	17.0	8.5	22.5	0.8	CB25225-2G9M****	500	
0.33	13.0	12.0	6.0	10.0	0.6	CB25334-2G4M****	500	2.7	26.5	18.5	10.0	22.5	0.8	CB25275-2G9M****	500	
0.39	13.0	13.0	7.0	10.0	0.6	CB25394-2G4M****	500	3.3	26.5	18.5	10.0	22.5	0.8	CB25335-2G9M****	500	
0.47	13.0	13.0	7.0	10.0	0.6	CB25474-2G4M****	500	3.9	26.5	20.0	11.0	22.5	0.8	CB25395-2G9M****	200	
0.56	13.0	14.0	8.0	10.0	0.6	CB25564-2G4M****	500	4.7	26.5	22.0	12.0	22.5	0.8	CB25475-2G9M****	200	
0.68	13.0	14.0	8.0	10.0	0.6	CB25684-2G4M****	500	5.6	26.5	24.5	15.5	22.5	0.8	CB25565-2G9M****	200	
0.22	18.0	11.0	5.0	15.0	0.6	CB25224-2G6M****	500	6.8	26.5	24.5	15.5	22.5	0.8	CB25685-2G9M****	200	
0.33	18.0	11.0	5.0	15.0	0.6	CB25334-2G6M****	500	8.2	26.5	24.5	15.5	22.5	0.8	CB25825-2G9M****	200	
0.39	18.0	11.0	5.0	15.0	0.6	CB25394-2G6M****	500	3.3	32.0	18.0	9.0	27.5	0.8	CB25335-2GBM****	200	
0.47	18.0	11.0	5.0	15.0	0.6	CB25474-2G6M****	500	3.9	32.0	20.0	11.0	27.5	0.8	CB25395-2GBM****	200	
0.56	18.0	12.0	6.0	15.0	0.6	CB25564-2G6M****	500	4.7	32.0	20.0	11.0	27.5	0.8	CB25475-2GBM****	200	
0.68	18.0	12.0	7.0	15.0	0.6	CB25684-2G6M****	500	5.6	32.0	22.0	13.0	27.5	0.8	CB25565-2GBM****	100	
0.82	18.0	12.0	7.0	15.0	0.6	CB25824-2G6M****	500	6.8	32.0	22.0	13.0	27.5	0.8	CB25685-2GBM****	100	
1.0	18.0	13.5	7.5	15.0	0.6	CB25105-2G6M****	500	8.2	32.0	24.5	15.0	27.5	0.8	CB25825-2GBM****	100	
1.2	18.0	14.0	8.0	15.0	0.6	CB25125-2G6M****	500	10.0	32.0	28.0	17.0	27.5	0.8	CB25106-2GBM****	50	
1.5	18.0	16.0	10.0	15.0	0.8	CB25155-2G6M****	500	12.0	32.0	28.0	17.0	27.5	0.8	CB25126-2GBM****	50	
1.8	18.0	16.0	10.0	15.0	0.8	CB25185-2G6M****	500	15.0	32.0	33.0	18.0	27.5	0.8	CB25156-2GBM****	50	
2.2	18.0	19.0	11.0	15.0	0.8	CB25225-2G6M****	500	18.0	32.0	37.0	22.0	27.5	0.8	CB25186-2GBM****	50	
								22.0	32.0	37.0	22.0	27.5	0.8	CB25226-2GBM****	50	

备注:

“-”: 客户要求的容量偏差

“\*\*\*\*”: 引线加工和包装代码 (见 15 页表 4)

“▲”: 当额定电压为 450Vdc 时, 第 9~10 位为 2S

MOQ: 最小订单量

“-”=custom's capacitor tolerance code, J=±5%, K=±10%, M=±20%

“\*\*\*\*”= Lead form and packing code (refer to table 4 in page 15)

“▲”=when the rated voltage is 450Vdc, the digit 9~10 is 2S

MOQ = Minimum order quantity

◆小型化产品尺寸: **Miniature Product Dimension:**

520Vdc																
C (μF)	W	H	T	P	d	产品代码 Part number	MOQ	C (μF)	W	H	T	P	d	产品代码 Part number	MOQ	
0.082	13.0	9.0	4.0	10.0	0.6	CB25823-2T4M****	500	0.68	26.5	15.0	6.0	22.5	0.8	CB25684-2T9M****	500	
0.10	13.0	9.0	4.0	10.0	0.6	CB25104-2T4M****	500	0.82	26.5	15.0	6.0	22.5	0.8	CB25824-2T9M****	500	
0.12	13.0	11.0	5.0	10.0	0.6	CB25124-2T4M****	500	1.0	26.5	16.0	7.0	22.5	0.8	CB25105-2T9M****	500	
0.15	13.0	11.0	5.0	10.0	0.6	CB25154-2T4M****	500	1.2	26.5	16.0	7.0	22.5	0.8	CB25125-2T9M****	500	
0.18	13.0	12.0	6.0	10.0	0.6	CB25184-2T4M****	500	1.5	26.5	17.0	8.5	22.5	0.8	CB25155-2T9M****	500	
0.22	13.0	12.0	6.0	10.0	0.6	CB25224-2T4M****	500	1.8	26.5	17.0	8.5	22.5	0.8	CB25185-2T9M****	500	
0.27	13.0	13.0	7.0	10.0	0.6	CB25274-2T4M****	500	2.2	26.5	18.5	10.0	22.5	0.8	CB25225-2T9M****	500	
0.33	13.0	13.0	7.0	10.0	0.6	CB25334-2T4M****	500	2.7	26.5	20.0	11.0	22.5	0.8	CB25275-2T9M****	200	
0.39	13.0	14.0	8.0	10.0	0.6	CB25394-2T4M****	500	3.3	26.5	22.0	12.0	22.5	0.8	CB25335-2T9M****	200	
0.47	13.0	14.0	8.0	10.0	0.6	CB25474-2T4M****	500	3.9	26.5	22.0	12.0	22.5	0.8	CB25395-2T9M****	200	
0.22	18.0	11.0	5.0	15.0	0.6	CB25224-2T6M****	500	4.7	26.5	24.5	15.5	22.5	0.8	CB25475-2T9M****	200	
0.27	18.0	11.0	5.0	15.0	0.6	CB25274-2T6M****	500	5.6	26.5	24.5	15.5	22.5	0.8	CB25565-2T9M****	200	
0.33	18.0	11.0	5.0	15.0	0.6	CB25334-2T6M****	500	2.2	32.0	18.0	9.0	27.5	0.8	CB25225-2TBM****	200	
0.39	18.0	12.0	6.0	15.0	0.6	CB25394-2T6M****	500	2.7	32.0	18.0	9.0	27.5	0.8	CB25275-2TBM****	200	
0.47	18.0	12.0	6.0	15.0	0.6	CB25474-2T6M****	500	3.3	32.0	20.0	11.0	27.5	0.8	CB25335-2TBM****	200	
0.56	18.0	12.0	7.0	15.0	0.6	CB25564-2T6M****	500	3.9	32.0	20.0	11.0	27.5	0.8	CB25395-2TBM****	200	
0.68	18.0	13.5	7.5	15.0	0.6	CB25684-2T6M****	500	4.7	32.0	22.0	13.0	27.5	0.8	CB25475-2TBM****	100	
0.82	18.0	14.0	8.0	15.0	0.6	CB25824-2T6M****	500	5.6	32.0	24.5	15.0	27.5	0.8	CB25565-2TBM****	100	
1.0	18.0	14.5	8.5	15.0	0.6	CB25105-2T6M****	500	6.8	32.0	24.5	15.0	27.5	0.8	CB25685-2TBM****	100	
1.2	18.0	16.0	10.0	15.0	0.8	CB25125-2T6M****	500	8.2	32.0	28.0	17.0	27.5	0.8	CB25825-2TBM****	50	
1.5	18.0	19.0	11.0	15.0	0.8	CB25155-2T6M****	500	10.0	32.0	33.0	18.0	27.5	0.8	CB25106-2TBM****	50	
									12.0	32.0	37.0	22.0	27.5	0.8	CB25126-2TBM****	50
									15.0	32.0	37.0	22.0	27.5	0.8	CB25156-2TBM****	50
									18.0	32.0	36.5	25.0	27.5	0.8	CB25186-2TBM****	50

备注:

“-”: 客户要求的容量偏差

“\*\*\*\*”: 引线加工和包装代码 (见 15 页表 4)

MOQ: 最小订单量

“-”=custom's capacitor tolerance code, J=±5%, K=±10%, M=±20%

“\*\*\*\*”= Lead form and packing code (refer to table 4 in page 15)

MOQ = Minimum order quantity





# CBB25

CBB25 series

## ◆小型化产品尺寸: Miniature Product Dimension:

630Vdc															
C (μF)	W	H	T	P	d	产品代码 Part number	MOQ	C (μF)	W	H	T	P	d	产品代码 Part number	MOQ
0.056	13.0	9.0	4.0	10.0	0.6	CB25563-2J4M****	500	0.47	26.5	15.0	6.0	22.5	0.8	CB25474-2J9M****	500
0.068	13.0	9.0	4.0	10.0	0.6	CB25683-2J4M****	500	0.56	26.5	15.0	6.0	22.5	0.8	CB25564-2J9M****	500
0.082	13.0	11.0	5.0	10.0	0.6	CB25823-2J4M****	500	0.68	26.5	16.0	7.0	22.5	0.8	CB25684-2J9M****	500
0.10	13.0	11.0	5.0	10.0	0.6	CB25104-2J4M****	500	0.82	26.5	16.0	7.0	22.5	0.8	CB25824-2J9M****	500
0.12	13.0	12.0	6.0	10.0	0.6	CB25124-2J4M****	500	1.0	26.5	17.0	8.5	22.5	0.8	CB25105-2J9M****	500
0.15	13.0	12.0	6.0	10.0	0.6	CB25154-2J4M****	500	1.2	26.5	17.0	8.5	22.5	0.8	CB25125-2J9M****	500
0.18	13.0	13.0	7.0	10.0	0.6	CB25184-2J4M****	500	1.5	26.5	18.5	10.0	22.5	0.8	CB25155-2J9M****	500
0.22	13.0	13.0	7.0	10.0	0.6	CB25224-2J4M****	500	1.8	26.5	18.5	10.0	22.5	0.8	CB25185-2J9M****	500
0.27	13.0	14.0	8.0	10.0	0.6	CB25274-2J4M****	500	2.2	26.5	20.0	11.0	22.5	0.8	CB25225-2J9M****	200
0.33	13.0	14.0	8.0	10.0	0.6	CB25334-2J4M****	500	2.7	26.5	22.0	12.0	22.5	0.8	CB25275-2J9M****	200
0.18	18.0	11.0	5.0	15.0	0.6	CB25184-2J6M****	500	3.3	26.5	24.5	15.5	22.5	0.8	CB25335-2J9M****	200
0.22	18.0	11.0	5.0	15.0	0.6	CB25224-2J6M****	500	3.9	26.5	24.5	15.5	22.5	0.8	CB25395-2J9M****	200
0.27	18.0	12.0	6.0	15.0	0.6	CB25274-2J6M****	500	1.8	32.0	18.0	9.0	27.5	0.8	CB25185-2JBM****	200
0.33	18.0	12.0	6.0	15.0	0.6	CB25334-2J6M****	500	2.2	32.0	20.0	11.0	27.5	0.8	CB25225-2JBM****	200
0.39	18.0	12.0	7.0	15.0	0.6	CB25394-2J6M****	500	2.7	32.0	20.0	11.0	27.5	0.8	CB25275-2JBM****	200
0.47	18.0	13.5	7.5	15.0	0.6	CB25474-2J6M****	500	3.3	32.0	22.0	13.0	27.5	0.8	CB25335-2JBM****	100
0.56	18.0	14.0	8.0	15.0	0.6	CB25564-2J6M****	500	3.9	32.0	22.0	13.0	27.5	0.8	CB25395-2JBM****	100
0.68	18.0	14.5	8.5	15.0	0.6	CB25684-2J6M****	500	4.7	32.0	24.5	15.0	27.5	0.8	CB25475-2JBM****	100
0.82	18.0	16.0	10.0	15.0	0.8	CB25824-2J6M****	500	5.6	32.0	28.0	17.0	27.5	0.8	CB25565-2JBM****	50
1.0	18.0	16.0	10.0	15.0	0.8	CB25105-2J6M****	500	6.8	32.0	29.0	19.0	27.5	0.8	CB25685-2JBM****	50
1.2	18.0	19.0	11.0	15.0	0.8	CB25125-2J6M****	500	8.2	32.0	29.0	19.0	27.5	0.8	CB25825-2JBM****	50
								10.0	32.0	37.0	22.0	27.5	0.8	CB25106-2JBM****	50
								12.0	32.0	37.0	22.0	27.5	0.8	CB25126-2JBM****	50

备注:

“-”: 客户要求的容量偏差

“\*\*\*\*”: 引线加工和包装代码 (见 15 页表 4)

MOQ: 最小订单量

“-”=custom's capacitor tolerance code, J=±5%, K=±10%, M=±20%

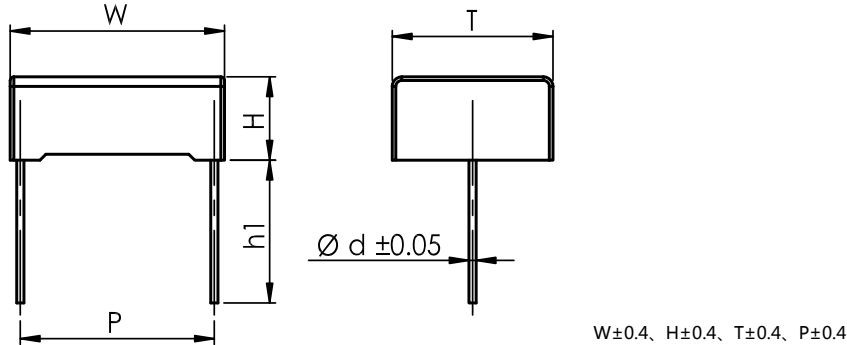
“\*\*\*\*”= Lead form and packing code (refer to table 4 in page 15)

MOQ = Minimum order quantity

## CBB25F 型盒式金属化聚丙烯薄膜电容器(扁平化)

## Metallized Polypropylene Film Capacitor (Flat, Box-Type)

### ◆ 外形尺寸图及产品结构 Outline Drawing and Capacitor Construction



### ◆ 特点及用途 Application and Feature

金属化聚丙烯膜, 耐压高, 适用于开关电源、电子镇流器和变频器等直流滤波(PFC、DC-Link 等)。  
Metallized polypropylene film, high-voltage proof. Suitable for the DC filter, DC-blocking circuit (PFC, DC-Link).

### ◆ 技术要求 Specifications

参照标准 Reference Standard	GB 10190、IEC 60384-16
气候类别 Climatic Category	40/105/56
工作温度范围 Operation Temperature Range	-40℃~105℃
额定温度 Rated Temperature	85℃
额定电压 Rated Voltage	400Vdc/450Vdc、630Vdc
电容量范围 Capacitance Range	0.1μF~1.2μF
电容量偏差 Capacitance Tolerance	±5%(J)、±10%(K)、±20%(M) (20℃, 1kHz)
耐电压 Voltage Proof	U=1.6U <sub>R</sub> , 5s(20℃)
绝缘电阻 Insulation Resistance	C <sub>R</sub> ≤0.33μF, IR≥100 000MΩ C <sub>R</sub> >0.33μF, IR×C≥30 000s (20℃, 100Vdc, 1min)
损耗角正切 Dissipation Factor	1kHz: Tan δ≤0.0010 10kHz: Tan δ≤0.0030 (C <sub>R</sub> ≤1μF)

说明: 电容器的工作电压随温度上升而下降, 在 85~105℃之间, 以 85℃为基准, 环境温度每上升 1℃, 电容器的额定工作电压应降低 1.25%。

Note: The working voltage of the capacitor decreases as the temperature rises. between 85~105℃,take 85℃ as the base, the temperature rises 1℃,the rated working voltage of the capacitor decreases 1.25%.



**CBB25F**  
CBB25F series

◆ 产品尺寸: **Product Dimension:**

400 <sup>▲</sup> /450Vdc								630Vdc							
C (μF)	W	H	T	P	d	产品代码 Part number	MOQ	C (μF)	W	H	T	P	d	产品代码 Part number	MOQ
0.18	10.5	6.0	8.0	7.5	0.6	C25F184-2S30****	500	0.1	10.5	6.5	7.5	7.5	0.6	C25F104-2J30****	500
0.22	10.5	6.5	8.5	7.5	0.6	C25F224-2S30****	500	0.12	10.5	6.5	8.5	7.5	0.6	C25F124-2J30****	500
0.27	10.5	7.0	9.0	7.5	0.6	C25F274-2S30****	500	0.15	10.5	7.0	9.0	7.5	0.6	C25F154-2J30****	500
0.22	13.0	6.0	8.0	10.0	0.6	C25F224-2S40****	500	0.15	13.0	6.0	8.0	10.0	0.6	C25F154-2J40****	500
0.22	13.0	6.5	9.0	10.0	0.6	C25F224-2S41****	500	0.18	13.0	6.5	8.5	10.0	0.6	C25F184-2J40****	500
0.27	13.0	6.5	8.5	10.0	0.6	C25F274-2S40****	500	0.22	13.0	7.0	9.0	10.0	0.6	C25F224-2J40****	500
0.33	13.0	6.5	9.0	10.0	0.6	C25F334-2S40****	500	0.27	13.0	7.0	10.5	10.0	0.6	C25F274-2J40****	500
0.39	13.0	7.0	10.5	10.0	0.6	C25F394-2S40****	500	0.33	13.0	7.0	12.0	10.0	0.6	C25F334-2J40****	500
0.47	13.0	7.0	12.0	10.0	0.6	C25F474-2S40****	500	0.27	18.0	6.0	8.0	15.0	0.6	C25F274-2J60****	500
0.47	13.0	8.0	10.0	10.0	0.6	C25F474-2S41****	500	0.33	18.0	6.5	8.5	15.0	0.6	C25F334-2J60****	200
0.39	18.0	6.0	8.0	15.0	0.6	C25F394-2S60****	500	0.39	18.0	7.0	9.0	15.0	0.6	C25F394-2J60****	200
0.47	18.0	6.5	8.5	15.0	0.6	C25F474-2S60****	500	0.47	18.0	7.0	10.0	15.0	0.6	C25F474-2J60****	500
0.56	18.0	7.0	9.0	15.0	0.6	C25F564-2S60****	500	0.56	18.0	7.0	12.0	15.0	0.6	C25F564-2J60****	500
0.68	18.0	7.0	10.0	15.0	0.6	C25F684-2S60****	500	0.68	18.0	7.0	13.5	15.0	0.6	C25F684-2J60****	500
0.82	18.0	7.0	12.0	15.0	0.6	C25F824-2S60****	500	0.82	18.0	7.0	15.5	15.0	0.6	C25F824-2J60****	500
1	18.0	7.0	13.5	15.0	0.6	C25F105-2S60****	500								
1.2	18.0	7.0	15.5	15.0	0.6	C25F125-2S60****	500								

备注:

“-”: 客户要求的容量偏差

“\*\*\*\*”: 引线加工和包装代码 (见 15 页表 4)

“▲”: 当额定电压为 400Vdc 时, 第 9~10 位为 2G

MOQ: 最小订单量

“-”=custom's capacitor tolerance code, J=±5%, K=±10%, M=±20%

“\*\*\*\*”= Lead form and packing code (refer to table 4 in page 15)

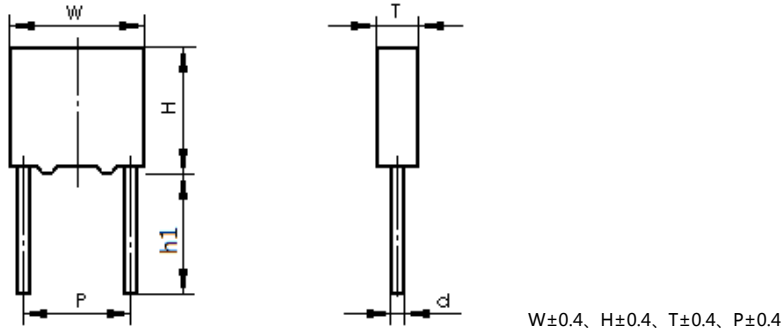
“▲”=when the rated voltage is 400Vdc, the digit 9~10 is 2G

MOQ = Minimum order quantity

## CBB25L 型盒式金属化聚丙烯薄膜电容器

### Metallized Polypropylene Film Capacitor (Box-Type)

#### ◆ 外形尺寸图及产品结构 Outline Drawing and Capacitor Construction



#### ◆ 特点及用途 Application and Feature

金属化聚丙烯膜，耐压高，适用于开关电源、电子镇流器和变频器等直流滤波(PFC、DC-Link 等)。  
Metallized polypropylene film, high-voltage proof. Suitable for the DC filter, DC-blocking circuit (PFC, DC-Link).

#### ◆ 技术要求 Specifications

参照标准 Reference Standard	GB 10190、IEC 60384-16
气候类别 Climatic Category	40/105/56
工作温度范围 Operation Temperature Range	-40℃~105℃
额定温度 Rated Temperature	85℃
额定电压 Rated Voltage	400Vdc/450Vdc、630Vdc
电容量范围 Capacitance Range	0.1μF~1.2μF
电容量偏差 Capacitance Tolerance	±5%(J)、±10%(K)、±20%(M) (20℃, 1kHz)
耐电压 Voltage Proof	U=1.6U <sub>R</sub> , 5s(20℃)
绝缘电阻 Insulation Resistance	C <sub>R</sub> ≤0.33μF, IR≥100 000MΩ C <sub>R</sub> >0.33μF, IR×C≥30 000s (20℃, 100Vdc, 1min)
损耗角正切 Dissipation Factor	1kHz: Tan δ≤0.0010 10kHz: Tan δ≤0.0030 (C <sub>R</sub> ≤1μF)
<p>说明：电容器的工作电压随温度上升而下降，在 85~105℃之间，以 85℃为基准，环境温度每上升 1℃，电容器的额定工作电压应降低 1.25%。 Note: The working voltage of the capacitor decreases as the temperature rises. between 85~105℃,take 85℃ as the base, the temperature rises 1℃,the rated working voltage of the capacitor decreases 1.25%.</p>	



# CBB25L

CBB25L series

◆ 产品尺寸: **Product Dimension:**

400Vdc <sup>▲</sup> /450Vdc								630Vdc							
C (μF)	W	H	T	P	d	产品代码 Part number	MOQ	C (μF)	W	H	T	P	d	产品代码 Part number	MOQ
0.047	10.5	8.5	3.5	7.5	0.6	CB25473-2S3L****	500	0.039	10.5	8.5	3.5	7.5	0.6	CB25393-2J3L****	500
0.056	10.5	8.5	3.5	7.5	0.6	CB25563-2S3L****	500	0.047	10.5	8.5	3.5	7.5	0.6	CB25473-2J3L****	500
0.068	10.5	8.5	3.5	7.5	0.6	CB25683-2S3L****	500	0.056	10.5	8.5	3.5	7.5	0.6	CB25563-2J3L****	500
0.082	10.5	8.5	3.5	7.5	0.6	CB25823-2S3L****	500	0.068	10.5	9.0	4.0	7.5	0.6	CB25683-2J3L****	500
0.10	10.5	8.5	3.5	7.5	0.6	CB25104-2S3L****	500	0.082	10.5	9.0	4.0	7.5	0.6	CB25823-2J3L****	500
0.12	10.5	9.0	4.0	7.5	0.6	CB25124-2S3L****	500	0.10	10.5	11.0	5.0	7.5	0.6	CB25104-2J3L****	500
0.15	10.5	11.0	5.0	7.5	0.6	CB25154-2S3L****	500	0.12	10.5	11.0	5.0	7.5	0.6	CB25124-2J3L****	500
0.18	10.5	11.0	5.0	7.5	0.6	CB25184-2S3L****	500	0.15	10.5	11.0	5.0	7.5	0.6	CB25154-2J3L****	500
0.22	10.5	11.0	5.0	7.5	0.6	CB25224-2S3L****	500	0.18	10.5	12.0	6.0	7.5	0.6	CB25184-2J3L****	500
0.27	10.5	12.0	6.0	7.5	0.6	CB25274-2S3L****	500	0.22	10.5	12.0	6.0	7.5	0.6	CB25224-2J3L****	500
0.33	10.5	12.0	6.0	7.5	0.6	CB25334-2S3L****	500	0.056	13.0	8.5	3.5	10.0	0.6	CB25563-2J4L****	500
0.10	13.0	8.5	3.5	10.0	0.6	CB25104-2S4L****	500	0.068	13.0	8.5	3.5	10.0	0.6	CB25683-2J4L****	500
0.12	13.0	8.5	3.5	10.0	0.6	CB25124-2S4L****	500	0.082	13.0	8.5	3.5	10.0	0.6	CB25823-2J4L****	500
0.15	13.0	9.0	4.0	10.0	0.6	CB25154-2S4L****	500	0.10	13.0	9.0	4.0	10.0	0.6	CB25104-2J4L****	500
0.18	13.0	9.0	4.0	10.0	0.6	CB25184-2S4L****	500	0.12	13.0	11.0	5.0	10.0	0.6	CB25124-2J4L****	500
0.22	13.0	11.0	5.0	10.0	0.6	CB25224-2S4L****	500	0.15	13.0	11.0	5.0	10.0	0.6	CB25154-2J4L****	500
0.27	13.0	11.0	5.0	10.0	0.6	CB25274-2S4L****	500	0.18	13.0	11.0	5.0	10.0	0.6	CB25184-2J4L****	500
0.33	13.0	11.0	5.0	10.0	0.6	CB25334-2S4L****	500	0.22	13.0	11.0	5.0	10.0	0.6	CB25224-2J4L****	500
0.39	13.0	12.0	6.0	10.0	0.6	CB25394-2S4L****	500	0.27	13.0	12.0	6.0	10.0	0.6	CB25274-2J4L****	500
0.47	13.0	12.0	6.0	10.0	0.6	CB25474-2S4L****	500	0.33	13.0	13.0	7.0	10.0	0.6	CB25334-2J4L****	500
0.56	13.0	13.0	7.0	10.0	0.6	CB25564-2S4L****	500	0.39	13.0	13.0	7.0	10.0	0.6	CB25394-2J4L****	500
0.68	13.0	13.0	7.0	10.0	0.6	CB25684-2S4L****	500	0.22	18.0	9.5	5.0	15.0	0.6	CB25224-2J6L****	500
0.22	18.0	9.5	5.0	15.0	0.6	CB25224-2S6L****	500	0.27	18.0	9.5	5.0	15.0	0.6	CB25274-2J6L****	500
0.27	18.0	9.5	5.0	15.0	0.6	CB25274-2S6L****	500	0.33	18.0	11.0	5.0	15.0	0.6	CB25334-2J6L****	500
0.33	18.0	9.5	5.0	15.0	0.6	CB25334-2S6L****	500	0.39	18.0	12.0	6.0	15.0	0.6	CB25394-2J6L****	500
0.39	18.0	9.5	5.0	15.0	0.6	CB25394-2S6L****	500	0.47	18.0	12.0	6.0	15.0	0.6	CB25474-2J6L****	500
0.47	18.0	11.0	5.0	15.0	0.6	CB25474-2S6L****	500	0.56	18.0	12.0	7.0	15.0	0.6	CB25564-2J6L****	500
0.56	18.0	11.0	5.0	15.0	0.6	CB25564-2S6L****	500	0.68	18.0	13.0	7.0	15.0	0.6	CB25684-2J6L****	500
0.68	18.0	12.0	6.0	15.0	0.6	CB25684-2S6L****	500	0.82	18.0	13.5	7.5	15.0	0.6	CB25824-2J6L****	500
0.82	18.0	12.0	7.0	15.0	0.6	CB25824-2S6L****	500	1.0	18.0	14.5	8.5	15.0	0.6	CB25105-2J6L****	500
1.0	18.0	13.0	7.0	15.0	0.6	CB25105-2S6L****	500	1.2	18.0	16.0	10.0	15.0	0.8	CB25125-2J6L****	500
1.2	18.0	13.5	7.5	15.0	0.6	CB25125-2S6L****	500	1.5	18.0	19.0	11.0	15.0	0.8	CB25155-2J6L****	500
1.5	18.0	14.5	8.5	15.0	0.6	CB25155-2S6L****	500	1.8	18.0	19.0	11.0	15.0	0.8	CB25185-2J6L****	500
1.8	18.0	16.0	10.0	15.0	0.8	CB25185-2S6L****	500								
2.5	18.0	19.0	11.0	15.0	0.8	CB25255-2S6L****	500								
2.7	18.0	19.0	11.0	15.0	0.8	CB25275-2S6L****	500								

备注:

“-”: 客户要求的容量偏差

“\*\*\*\*”: 引线加工和包装代码 (见 15 页表 4)

“▲”: 当额定电压为 400Vdc 时, 第 9~10 位为 2G

MOQ: 最小订单量

“-”=custom's capacitor tolerance code, J=±5%, K=±10%, M=±20%

“\*\*\*\*”= Lead form and packing code (refer to table 4 in page 15)

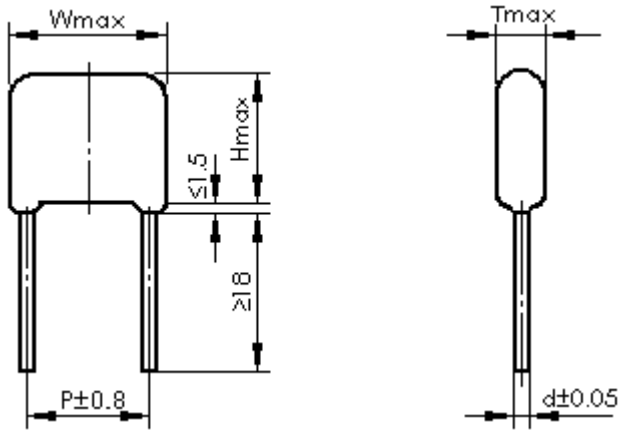
“▲”=when the rated voltage is 400Vdc, the digit 9~10 is 2G

MOQ = Minimum order quantity

## CBB81 型双面金属化聚丙烯薄膜电容器（浸渍型）

### Double Sided Metallized Polypropylene Film Capacitor (Dipped)

#### ◆ 外形尺寸图及产品结构 Outline Drawing and Capacitor Construction



#### ◆ 特点及用途 Application and Feature

双面金属化聚丙烯膜、损耗小、内部温升小，适用于高压、高频、脉冲和谐振电路。

Double sided metallized polypropylene, low loss, small inherent temperature rise, Suitable for the high voltage, high frequency, pulse and resonance circuits.

#### ◆ 技术要求 Specifications

参照标准 Reference Standard	GB/T 10190、IEC 60384-16
气候类别 Climatic Category	40/105/21
工作温度范围 Operation Temperature Range	-40℃~105℃ +75℃~+105℃: decreasing factor 1.35% per °C for $U_R$ (ac) +85℃~+105℃: decreasing factor 1.25% per °C for $U_R$ (dc)
额定温度 Rated Temperature	85℃ for $U_R$ (dc), 75℃ for $U_R$ (ac)
额定电压 Rated Voltage	630Vdc/400Vac、(1000Vdc/1250Vdc)/500Vac、1600Vdc/600Vac、2000Vdc/700Vac
电容量范围 Capacitance Range	0.001 $\mu$ F~0.33 $\mu$ F
电容量偏差 Capacitance Tolerance	$\pm 5\%$ (J)、 $\pm 10\%$ (K)、 $\pm 20\%$ (M) (20℃, 1kHz)
耐电压 Voltage Proof	$U=1.6U_R$ (20℃, 5s)
绝缘电阻 Insulation Resistance	$C_R \leq 0.33\mu F$ , $IR \geq 100\ 000M\Omega$ $C_R > 0.33\mu F$ , $IR \times C \geq 30\ 000s$ (20℃, 100Vdc, 1min)
损耗角正切 Dissipation Factor	$\leq 0.0010$ (1kHz, 20℃)
说明：电容器的工作电压随温度上升而下降，在 85~105℃之间，以 85℃为基准，环境温度每上升 1℃，电容器的额定工作电压应降低 1.25%，额定交流工作电压应降低 1.35% Note: The working voltage of the capacitor decreases as the temperature rises. between 85~105℃,take 85℃ as the base, the temperature rises 1℃,the rated working voltage of the capacitor decreases 1.25%, the rated working (ac) voltage of the capacitor decreases 1.35%.	



# CBB81

CBB81 series

◆ 产品尺寸: Product Dimension:

630Vdc(400Vac)																
C ( $\mu$ F)	W	H	T	P	d	产品代码 Part number	MOQ	C ( $\mu$ F)	W	H	T	P	d	产品代码 Part number	MOQ	
0.001	10.2	8.0	4.0	7.5	0.6	CB81102-2J30****	1000	0.012	17.5	11.0	5.0	15.0	0.6	CB81123-2J60****	500	
0.0012	10.2	8.0	4.0	7.5	0.6	CB81122-2J30****	1000	0.015	17.5	10.5	4.5	15.0	0.6	CB81153-2J60****	500	
0.0015	10.2	8.0	4.0	7.5	0.6	CB81152-2J30****	1000	0.018	17.5	10.5	5.0	15.0	0.6	CB81183-2J60****	500	
0.0018	10.2	8.5	4.5	7.5	0.6	CB81182-2J30****	1000	0.022	17.5	11.0	5.5	15.0	0.6	CB81223-2J60****	500	
0.0022	10.2	8.0	3.5	7.5	0.6	CB81222-2J30****	1000	0.027	17.5	11.5	6.0	15.0	0.6	CB81273-2J60****	500	
0.0027	10.2	8.0	4.0	7.5	0.6	CB81272-2J30****	1000	0.033	17.5	12.0	6.5	15.0	0.8	CB81333-2J60****	500	
0.0033	10.2	8.5	4.5	7.5	0.6	CB81332-2J30****	1000	0.039	17.5	13.5	6.5	15.0	0.8	CB81393-2J60****	500	
0.0039	10.2	9.0	5.0	7.5	0.6	CB81392-2J30****	1000	0.047	17.5	14.5	7.0	15.0	0.8	CB81473-2J60****	500	
0.0047	10.2	9.0	5.0	7.5	0.6	CB81472-2J30****	1000	0.056	17.5	15.0	7.5	15.0	0.8	CB81563-2J60****	500	
0.0056	10.2	9.5	5.5	7.5	0.6	CB81562-2J30****	1000	0.068	17.5	16.0	8.5	15.0	0.8	CB81683-2J60****	500	
0.0068	10.2	11.5	5.5	7.5	0.6	CB81682-2J30****	1000	0.082	17.5	16.5	9.5	15.0	0.8	CB81823-2J60****	500	
0.0082	10.2	12.0	6.0	7.5	0.6	CB81822-2J30****	1000	0.1	17.5	18.0	10.5	15.0	0.8	CB81104-2J60****	500	
0.01	10.2	12.5	7.0	7.5	0.6	CB81103-2J30****	1000	0.015	25.5	13.5	6.0	22.5	0.8	CB81153-2J90****	500	
0.0015	12.5	8.5	4.5	10.0	0.6	CB81152-2J40****	500	0.018	25.5	13.5	6.5	22.5	0.8	CB81183-2J90****	500	
0.0018	12.5	8.0	4.0	10.0	0.6	CB81182-2J40****	500	0.022	25.5	13.0	6.0	22.5	0.8	CB81223-2J90****	500	
0.0022	12.5	8.5	4.5	10.0	0.6	CB81222-2J40****	500	0.027	25.5	13.5	6.5	22.5	0.8	CB81273-2J90****	500	
0.0033	12.5	8.5	4.5	10.0	0.6	CB81332-2J40****	500	0.033	25.5	13.0	6.0	22.5	0.8	CB81333-2J90****	500	
0.0039	12.5	8.5	4.5	10.0	0.6	CB81392-2J40****	500	0.039	25.5	13.5	6.5	22.5	0.8	CB81393-2J90****	500	
0.0047	12.5	8.0	4.0	10.0	0.6	CB81472-2J40****	500	0.047	25.5	13.5	6.0	22.5	0.8	CB81473-2J90****	500	
0.0056	12.5	8.5	4.5	10.0	0.6	CB81562-2J40****	500	0.056	25.5	13.0	6.0	22.5	0.8	CB81563-2J90****	500	
0.0068	12.5	8.5	4.5	10.0	0.6	CB81682-2J40****	500	0.068	25.5	13.5	6.5	22.5	0.8	CB81683-2J90****	500	
0.0082	12.5	9.0	5.0	10.0	0.6	CB81822-2J40****	500	0.082	25.5	14.0	7.0	22.5	0.8	CB81823-2J90****	500	
0.01	12.5	10.5	5.0	10.0	0.6	CB81103-2J40****	500	0.1	25.5	15.0	7.5	22.5	0.8	CB81104-2J90****	500	
0.012	12.5	11.0	5.5	10.0	0.6	CB81123-2J40****	500	0.12	25.5	16.5	8.0	22.5	0.8	CB81124-2J90****	500	
0.015	12.5	11.5	6.0	10.0	0.6	CB81153-2J40****	500	0.15	25.5	18.0	9.0	22.5	0.8	CB81154-2J90****	500	
0.018	12.5	12.5	6.5	10.0	0.6	CB81183-2J40****	500	0.18	25.5	18.5	10.0	22.5	0.8	CB81184-2J90****	500	
0.022	12.5	13.5	7.5	10.0	0.6	CB81223-2J40****	500	0.22	25.5	20.0	11.0	22.5	0.8	CB81224-2J90****	200	
0.0047	17.5	10.5	5.0	15.0	0.6	CB81472-2J60****	500	0.27	25.5	21.0	12.5	22.5	0.8	CB81274-2J90****	200	
0.0056	17.5	11.0	5.5	15.0	0.6	CB81562-2J60****	500	0.33	25.5	22.5	14.5	22.5	0.8	CB81334-2J90****	200	
0.0068	17.5	10.5	5.0	15.0	0.6	CB81682-2J60****	500									
0.0082	17.5	11.0	5.5	15.0	0.6	CB81822-2J60****	500									
0.01	17.5	10.5	5.0	15.0	0.6	CB81103-2J60****	500									

备注:

“-”: 客户要求的容量偏差

“\*\*\*\*”: 引线加工和包装代码 (见 15 页表 4)

MOQ: 最小订单量

“-”=custom's capacitor tolerance code, J=±5%, K=±10%, M=±20%

“\*\*\*\*”= Lead form and packing code (refer to table 4 in page 15)

MOQ = Minimum order quantity

◆ 产品尺寸: Product Dimension:

1000Vdc <sup>▲</sup> /1250Vdc(500Vac)															
C ( $\mu$ F)	W	H	T	P	d	产品代码 Part number	MOQ	C ( $\mu$ F)	W	H	T	P	d	产品代码 Part number	MOQ
0.001	10.2	8.0	4.0	7.5	0.6	CB81102-3B30****	1000	0.015	17.5	11.5	5.5	15.0	0.6	CB81153-3B60****	500
0.0012	10.2	8.0	4.0	7.5	0.6	CB81122-3B30****	1000	0.018	17.5	12.0	6.0	15.0	0.6	CB81183-3B60****	500
0.0015	10.2	8.0	4.0	7.5	0.6	CB81152-3B30****	1000	0.022	17.5	13.5	6.5	15.0	0.6	CB81223-3B60****	500
0.0018	10.2	8.5	4.5	7.5	0.6	CB81182-3B30****	1000	0.027	17.5	14.0	7.0	15.0	0.8	CB81273-3B60****	500
0.0022	10.2	8.5	4.5	7.5	0.6	CB81222-3B30****	1000	0.033	17.5	15.0	7.5	15.0	0.8	CB81333-3B60****	500
0.0027	10.2	9.5	5.0	7.5	0.6	CB81272-3B30****	1000	0.039	17.5	15.5	8.5	15.0	0.8	CB81393-3B60****	500
0.0033	10.2	10.0	5.5	7.5	0.6	CB81332-3B30****	1000	0.047	17.5	16.5	9.5	15.0	0.8	CB81473-3B60****	500
0.0039	10.2	11.5	5.5	7.5	0.6	CB81392-3B30****	1000	0.056	17.5	17.5	10.0	15.0	0.8	CB81563-3B60****	500
0.0047	10.2	12.0	6.0	7.5	0.6	CB81472-3B30****	1000	0.015	25.5	13.5	6.0	22.5	0.8	CB81153-3B90****	500
0.0015	12.5	8.5	4.5	10.0	0.6	CB81152-3B40****	500	0.018	25.5	13.5	6.5	22.5	0.8	CB81183-3B90****	500
0.0018	12.5	8.0	4.0	10.0	0.6	CB81182-3B40****	500	0.022	25.5	13.0	6.0	22.5	0.8	CB81223-3B90****	500
0.0022	12.5	8.5	4.5	10.0	0.6	CB81222-3B40****	500	0.027	25.5	13.5	6.5	22.5	0.8	CB81273-3B90****	500
0.0033	12.5	8.5	4.5	10.0	0.6	CB81332-3B40****	500	0.033	25.5	13.0	6.0	22.5	0.8	CB81333-3B90****	500
0.0039	12.5	8.5	4.5	10.0	0.6	CB81392-3B40****	500	0.039	25.5	13.5	6.5	22.5	0.8	CB81393-3B90****	500
0.0047	12.5	9.0	5.0	10.0	0.6	CB81472-3B40****	500	0.047	25.5	14.0	7.0	22.5	0.8	CB81473-3B90****	500
0.0056	12.5	10.0	5.0	10.0	0.6	CB81562-3B40****	500	0.056	25.5	16.0	7.0	22.5	0.8	CB81563-3B90****	500
0.0068	12.5	11.0	5.5	10.0	0.6	CB81682-3B40****	500	0.068	25.5	16.5	8.0	22.5	0.8	CB81683-3B90****	500
0.0082	12.5	11.5	6.0	10.0	0.6	CB81822-3B40****	500	0.082	25.5	17.5	8.5	22.5	0.8	CB81823-3B90****	500
0.01	12.5	12.0	6.5	10.0	0.6	CB81103-3B40****	500	0.1	25.5	18.5	9.5	22.5	0.8	CB81104-3B90****	500
0.0047	17.5	10.5	5.0	15.0	0.6	CB81472-3B60****	500	0.12	25.5	19.5	10.5	22.5	0.8	CB81124-3B90****	200
0.0056	17.5	11.0	5.5	15.0	0.6	CB81562-3B60****	500	0.15	25.5	21.0	12.0	22.5	0.8	CB81154-3B90****	200
0.0068	17.5	10.5	5.0	15.0	0.6	CB81682-3B60****	500	0.18	25.5	22.0	13.5	22.5	0.8	CB81184-3B90****	200
0.0082	17.5	11.0	5.5	15.0	0.6	CB81822-3B60****	500	0.22	25.5	23.5	15.5	22.5	0.8	CB81224-3B90****	200
0.01	17.5	10.5	5.0	15.0	0.6	CB81103-3B60****	500								
0.012	17.5	11.0	5.0	15.0	0.6	CB81123-3B60****	500								

备注:

“-”: 客户要求的容量偏差

“\*\*\*\*”: 引线加工和包装代码 (见 15 页表 4)

“▲”: 当额定电压为 1000Vdc 时, 第 9~10 位为 3A

MOQ: 最小订单量

“-”=custom's capacitor tolerance code, J=±5%, K=±10%, M=±20%

“\*\*\*\*”= Lead form and packing code (refer to table 4 in page 15)

“▲”=when the rated voltage is 1000Vdc, the digit 9~10 is 3A

MOQ = Minimum order quantity





# CBB81

CBB81 series

◆ 产品尺寸: Product Dimension:

1600Vdc(600Vac)								2000Vdc(700Vac)							
C (μF)	W	H	T	P	d	产品代码 Part number	MOQ	C (μF)	W	H	T	P	d	产品代码 Part number	MOQ
0.0033	17.5	10.5	5.0	15.0	0.6	CB81332-3C60****	500	0.0015	17.5	11.0	5.0	15.0	0.6	CB81152-3D60****	500
0.0039	17.5	10.5	5.0	15.0	0.6	CB81392-3C60****	500	0.0018	17.5	10.5	5.0	15.0	0.6	CB81182-3D60****	500
0.0047	17.5	10.5	5.0	15.0	0.6	CB81472-3C60****	500	0.0022	17.5	11.0	5.5	15.0	0.6	CB81222-3D60****	500
0.0056	17.5	10.5	5.0	15.0	0.6	CB81562-3C60****	500	0.0027	17.5	11.5	6.0	15.0	0.6	CB81272-3D60****	500
0.0068	17.5	11.0	5.5	15.0	0.6	CB81682-3C60****	500	0.0033	17.5	12.0	6.5	15.0	0.8	CB81332-3D60****	500
0.0082	17.5	11.5	5.5	15.0	0.6	CB81822-3C60****	500	0.0039	17.5	12.5	7.0	15.0	0.8	CB81392-3D60****	500
0.01	17.5	13.0	6.0	15.0	0.6	CB81103-3C60****	500	0.0047	17.5	14.0	7.0	15.0	0.8	CB81472-3D60****	500
0.012	17.5	14.0	6.5	15.0	0.8	CB81123-3C60****	500	0.0056	17.5	15.0	7.5	15.0	0.8	CB81562-3D60****	500
0.015	17.5	14.5	7.0	15.0	0.8	CB81153-3C60****	500	0.0068	17.5	15.5	8.5	15.0	0.8	CB81682-3D60****	500
0.018	17.5	15.0	7.5	15.0	0.8	CB81183-3C60****	500	0.0082	17.5	16.5	9.0	15.0	0.8	CB81822-3D60****	500
0.015	25.5	12.5	5.5	22.5	0.8	CB81153-3C90****	500	0.01	17.5	17.5	10.0	15.0	0.8	CB81103-3D60****	500
0.018	25.5	13.0	5.5	22.5	0.8	CB81183-3C90****	500	0.0047	25.5	13.5	6.5	22.5	0.8	CB81472-3D90****	500
0.022	25.5	14.5	5.5	22.5	0.8	CB81223-3C90****	500	0.0056	25.5	13.0	6.0	22.5	0.8	CB81562-3D90****	500
0.027	25.5	15.0	6.5	22.5	0.8	CB81273-3C90****	500	0.0068	25.5	13.0	6.0	22.5	0.8	CB81682-3D90****	500
0.033	25.5	16.0	7.0	22.5	0.8	CB81333-3C90****	500	0.0082	25.5	13.5	6.5	22.5	0.8	CB81822-3D90****	500
0.039	25.5	16.5	7.5	22.5	0.8	CB81393-3C90****	500	0.01	25.5	14.0	7.0	22.5	0.8	CB81103-3D90****	500
0.047	25.5	17.0	8.5	22.5	0.8	CB81473-3C90****	200	0.012	25.5	15.0	7.5	22.5	0.8	CB81123-3D90****	500
0.056	25.5	18.0	9.0	22.5	0.8	CB81563-3C90****	200	0.015	25.5	16.5	8.0	22.5	0.8	CB81153-3D90****	500
0.068	25.5	19.0	10.5	22.5	0.8	CB81683-3C90****	200	0.018	25.5	17.5	8.5	22.5	0.8	CB81183-3D90****	500
0.082	25.5	20.0	12.0	22.5	0.8	CB81823-3C90****	200	0.022	25.5	18.5	9.5	22.5	0.8	CB81223-3D90****	500
0.1	25.5	21.5	13.0	22.5	0.8	CB81104-3C90****	200	0.027	25.5	19.5	10.5	22.5	0.8	CB81273-3D90****	500
								0.033	25.5	20.5	12.0	22.5	0.8	CB81333-3D90****	200

备注:

“-”: 客户要求的容量偏差

“\*\*\*\*”: 引线加工和包装代码 (见 15 页表 4)

MOQ: 最小订单量

“-”=custom's capacitor tolerance code, J=±5%, K=±10%, M=±20%

“\*\*\*\*”= Lead form and packing code (refer to table 4 in page 15)

MOQ = Minimum order quantity

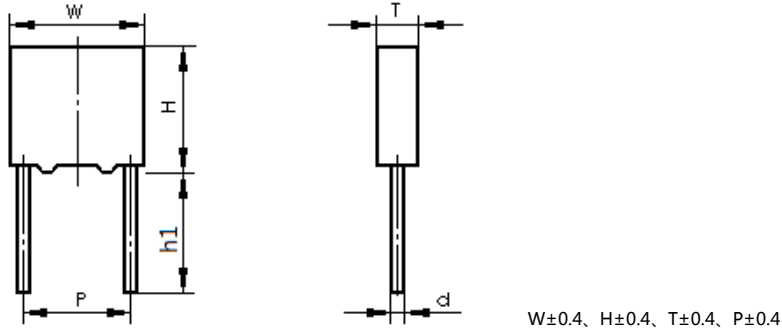
◆ 最大电压脉冲斜率: Max dv/dt (V/μs)

额定电压 (V)	dv/dt(V/μs)			
	P=7.5mm	P=10.0mm	P=15.0mm	P=22.5mm
630	3 200	3 200	2 500	1 500
1000/1250	6 000	6 000	3 300	2 200
1600	/	/	6 500	3 000
2000	/	/	10 000	7 000

## CBB84 型盒式双面金属化聚丙烯薄膜电容器

### Double Sided Metallized Polypropylene Film Capacitor (Box-Type)

#### ◆ 外形尺寸图及产品结构 Outline Drawing and Capacitor Construction



#### ◆ 特点及用途 Application and Feature

双面金属化聚丙烯膜、损耗小、内部温升小，适用于高压、高频、脉冲和谐振电路。

Double sided metallized polypropylene, low loss, small inherent temperature rise, Suitable for the high voltage, high frequency, pulse and resonance circuits.

#### ◆ 技术要求 Specifications

参照标准 Reference Standard	GB/T 10190、IEC 60384-16
气候类别 Climatic Category	40/105/56
工作温度范围 Operation Temperature Range	-40℃~110℃ +75℃~+110℃: decreasing factor 1.35% per °C for $U_R$ (ac) +85℃~+110℃: decreasing factor 1.25% per °C for $U_R$ (dc)
额定温度 Rated Temperature	85℃ for $U_R$ (dc), 75℃ for $U_R$ (ac)
额定电压 Rated Voltage	250Vdc/180Vac、400Vdc/250Vac、630Vdc/400Vac、 (1000Vdc/1250Vdc)/600Vac、1600Vdc/650Vac、2000Vdc/700Vac
电容量范围 Capacitance Range	0.00047μF~3.3μF
电容量偏差 Capacitance Tolerance	±5%(J)、±10%(K)、±20%(M) (20℃, 1kHz)
耐电压 Voltage Proof	$U=1.6U_R$ (20℃, 5s)
绝缘电阻 Insulation Resistance	$C_R \leq 0.33\mu F, IR \geq 100\ 000M\Omega$ $C_R > 0.33\mu F, IR \times C \geq 30\ 000s$ (20℃, 100Vdc, 1min)
损耗角正切 Dissipation Factor	$\leq 0.0010$ (1kHz, 20℃)
说明：电容器的工作电压随温度上升而下降，在 85~110℃之间，以 85℃为基准，环境温度每上升 1℃，电容器的额定直流工作电压应降低 1.25%，额定交流工作电压应降低 1.35% Note: The working voltage of the capacitor decreases as the temperature rises. between 85~110℃, take 85℃ as the base, the temperature rises 1℃, the rated working (dc) voltage of the capacitor decreases 1.25%, the rated working (ac) voltage of the capacitor decreases 1.35%	



# CBB84

CBB84 series

◆ 产品尺寸: **Product Dimension:**

250Vdc(180Vac)								400Vdc(250Vac)							
C ( $\mu$ F)	W	H	T	P	d	产品代码 Part number	MOQ	C ( $\mu$ F)	W	H	T	P	d	产品代码 Part number	MOQ
0.047	18.0	11.0	5.0	15.0	0.8	CB84473-2E60****	500	0.033	18.0	11.0	5.0	15.0	0.8	CB84333-2G60****	500
0.056	18.0	11.0	5.0	15.0	0.8	CB84563-2E60****	500	0.039	18.0	11.0	5.0	15.0	0.8	CB84393-2G60****	500
0.068	18.0	11.0	5.0	15.0	0.8	CB84683-2E60****	500	0.047	18.0	11.0	5.0	15.0	0.8	CB84473-2G60****	500
0.082	18.0	11.0	5.0	15.0	0.8	CB84823-2E60****	500	0.056	18.0	11.0	5.0	15.0	0.8	CB84563-2G60****	500
0.10	18.0	12.0	6.0	15.0	0.8	CB84104-2E60****	500	0.068	18.0	11.0	5.0	15.0	0.8	CB84683-2G60****	500
0.12	18.0	12.0	6.0	15.0	0.8	CB84124-2E60****	500	0.082	18.0	12.0	6.0	15.0	0.8	CB84823-2G60****	500
0.15	18.0	13.5	7.5	15.0	0.8	CB84154-2E60****	500	0.10	18.0	12.0	6.0	15.0	0.8	CB84104-2G60****	500
0.18	18.0	13.5	7.5	15.0	0.8	CB84184-2E60****	500	0.12	18.0	13.5	7.5	15.0	0.8	CB84124-2G60****	500
0.22	18.0	13.5	7.5	15.0	0.8	CB84224-2E60****	500	0.15	18.0	13.5	7.5	15.0	0.8	CB84154-2G60****	500
0.27	18.0	14.5	8.5	15.0	0.8	CB84274-2E60****	500	0.18	18.0	14.5	8.5	15.0	0.8	CB84184-2G60****	500
0.33	18.0	16.0	10.0	15.0	0.8	CB84334-2E60****	500	0.22	18.0	16.0	10.0	15.0	0.8	CB84224-2G60****	500
0.39	18.0	16.0	10.0	15.0	0.8	CB84394-2E60****	500	0.27	18.0	16.0	10.0	15.0	0.8	CB84274-2G60****	500
0.47	18.0	19.0	11.0	15.0	0.8	CB84474-2E61****	200	0.33	18.0	19.0	11.0	15.0	0.8	CB84334-2G60****	200
0.10	26.5	15.0	6.0	22.5	0.8	CB84104-2E90****	500	0.10	26.5	15.0	6.0	22.5	0.8	CB84104-2G90****	500
0.12	26.5	15.0	6.0	22.5	0.8	CB84124-2E90****	500	0.12	26.5	15.0	6.0	22.5	0.8	CB84124-2G90****	500
0.15	26.5	15.0	6.0	22.5	0.8	CB84154-2E90****	500	0.15	26.5	15.0	6.0	22.5	0.8	CB84154-2G90****	500
0.18	26.5	15.0	6.0	22.5	0.8	CB84184-2E90****	500	0.18	26.5	15.0	6.0	22.5	0.8	CB84184-2G90****	500
0.22	26.5	15.0	6.0	22.5	0.8	CB84224-2E90****	500	0.22	26.5	16.0	7.0	22.5	0.8	CB84224-2G90****	500
0.27	26.5	15.0	6.0	22.5	0.8	CB84274-2E90****	500	0.27	26.5	17.0	8.5	22.5	0.8	CB84274-2G90****	500
0.33	26.5	16.0	7.0	22.5	0.8	CB84334-2E90****	500	0.33	26.5	17.0	8.5	22.5	0.8	CB84334-2G90****	500
0.39	26.5	16.0	7.0	22.5	0.8	CB84394-2E90****	500	0.39	26.5	17.0	8.5	22.5	0.8	CB84394-2G90****	500
0.47	26.5	17.0	8.5	22.5	0.8	CB84474-2E90****	500	0.47	26.5	18.5	10.0	22.5	0.8	CB84474-2G90****	200
0.56	26.5	18.5	10.0	22.5	0.8	CB84564-2E90****	200	0.56	26.5	20.0	11.0	22.5	0.8	CB84564-2G90****	200
0.68	26.5	18.5	10.0	22.5	0.8	CB84684-2E90****	200	0.68	26.5	22.0	12.0	22.5	0.8	CB84684-2G90****	200
0.82	26.5	20.0	11.0	22.5	0.8	CB84824-2E90****	200	0.39	32.0	18.0	9.0	27.5	0.8	CB84394-2GB0****	500
1.0	26.5	22.0	12.0	22.5	0.8	CB84105-2E90****	200	0.47	32.0	18.0	9.0	27.5	0.8	CB84474-2GB0****	500
0.68	32.0	18.0	9.0	27.5	0.8	CB84684-2EB0****	500	0.56	32.0	20.0	11.0	27.5	0.8	CB84564-2GB0****	200
0.82	32.0	18.0	9.0	27.5	0.8	CB84824-2EB0****	500	0.68	32.0	20.0	11.0	27.5	0.8	CB84684-2GB0****	200
1.0	32.0	20.0	11.0	27.5	0.8	CB84105-2EB0****	200	0.82	32.0	22.0	13.0	27.5	0.8	CB84824-2GB0****	100
1.2	32.0	20.0	11.0	27.5	0.8	CB84125-2EB0****	200	1.0	32.0	22.0	13.0	27.5	0.8	CB84105-2GB0****	100
1.5	32.0	22.0	13.0	27.5	0.8	CB84155-2EB0****	100	1.2	32.0	24.5	15.0	27.5	0.8	CB84125-2GB0****	100
1.8	32.0	25.0	14.0	27.5	0.8	CB84185-2EB0****	100	1.5	32.0	24.5	15.0	27.5	0.8	CB84155-2GB0****	100
2.2	32.0	28.0	14.0	27.5	0.8	CB84225-2EB0****	100	1.8	32.0	33.0	18.0	27.5	0.8	CB84185-2GB0****	50
2.7	32.0	33.0	18.0	27.5	0.8	CB84275-2EB0****	50								
3.3	32.0	33.0	18.0	27.5	0.8	CB84335-2EB0****	50								

备注:

“-”: 客户要求的容量偏差

“\*\*\*\*”: 引线加工和包装代码 (见 15 页表 4)

MOQ: 最小订单量

“-”=custom's capacitor tolerance code, J=±5%, K=±10%, M=±20%

“\*\*\*\*”= Lead form and packing code (refer to table 4 in page 15)

MOQ = Minimum order quantity

◆ 产品尺寸: Product Dimension:

630Vdc(400Vac)															
C ( $\mu$ F)	W	H	T	P	d	产品代码 Part number	MOQ	C ( $\mu$ F)	W	H	T	P	d	产品代码 Part number	MOQ
0.0010	10.5	9.0	4.0	7.5	0.6	CB84102-2J30****	1000	0.033	18.0	12.0	6.0	15.0	0.8	CB84333-2J60****	500
0.0012	10.5	9.0	4.0	7.5	0.6	CB84122-2J30****	1000	0.039	18.0	12.0	6.0	15.0	0.8	CB84393-2J60****	500
0.0015	10.5	9.0	4.0	7.5	0.6	CB84152-2J30****	1000	0.047	18.0	13.5	7.5	15.0	0.8	CB84473-2J60****	500
0.0018	10.5	9.0	4.0	7.5	0.6	CB84182-2J30****	1000	0.056	18.0	13.5	7.5	15.0	0.8	CB84563-2J60****	500
0.0022	10.5	9.0	4.0	7.5	0.6	CB84222-2J30****	1000	0.068	18.0	14.5	8.5	15.0	0.8	CB84683-2J60****	500
0.0027	10.5	9.0	4.0	7.5	0.6	CB84272-2J30****	1000	0.082	18.0	16.0	10.0	15.0	0.8	CB84823-2J60****	500
0.0033	10.5	9.0	4.0	7.5	0.6	CB84332-2J30****	1000	0.10	18.0	16.0	10.0	15.0	0.8	CB84104-2J60****	500
0.0039	10.5	9.0	4.0	7.5	0.6	CB84392-2J30****	1000	0.12	18.0	19.0	11.0	15.0	0.8	CB84124-2J60****	200
0.0047	10.5	9.0	4.0	7.5	0.6	CB84472-2J30****	1000	0.039	26.5	15.0	6.0	22.5	0.8	CB84393-2J90****	500
0.0068	10.5	11.0	5.0	7.5	0.6	CB84682-2J30****	1000	0.047	26.5	15.0	6.0	22.5	0.8	CB84473-2J90****	500
0.0082	10.5	11.0	5.0	7.5	0.6	CB84822-2J30****	1000	0.056	26.5	15.0	6.0	22.5	0.8	CB84563-2J90****	500
0.010	10.5	12.0	6.0	7.5	0.6	CB84103-2J30****	1000	0.068	26.5	15.0	6.0	22.5	0.8	CB84683-2J90****	500
0.012	10.5	12.0	6.0	7.5	0.6	CB84123-2J30****	1000	0.082	26.5	15.0	6.0	22.5	0.8	CB84823-2J90****	500
0.0022	13.0	9.0	4.0	10.0	0.6	CB84222-2J40****	500	0.10	26.5	16.0	7.0	22.5	0.8	CB84104-2J90****	500
0.0027	13.0	9.0	4.0	10.0	0.6	CB84272-2J40****	500	0.12	26.5	16.0	7.0	22.5	0.8	CB84124-2J90****	500
0.0033	13.0	9.0	4.0	10.0	0.6	CB84332-2J40****	500	0.15	26.5	17.0	8.5	22.5	0.8	CB84154-2J90****	500
0.0039	13.0	9.0	4.0	10.0	0.6	CB84392-2J40****	500	0.18	26.5	17.0	8.5	22.5	0.8	CB84184-2J90****	500
0.0047	13.0	9.0	4.0	10.0	0.6	CB84472-2J40****	500	0.22	26.5	18.5	10.0	22.5	0.8	CB84224-2J90****	200
0.0056	13.0	9.0	4.0	10.0	0.6	CB84562-2J40****	500	0.27	26.5	20.0	11.0	22.5	0.8	CB84274-2J90****	200
0.0068	13.0	9.0	4.0	10.0	0.6	CB84682-2J40****	500	0.33	26.5	22.0	12.0	22.5	0.8	CB84334-2J90****	200
0.0082	13.0	9.0	4.0	10.0	0.6	CB84822-2J40****	500	0.15	32.0	18.0	9.0	27.5	0.8	CB84154-2JB0****	500
0.010	13.0	11.0	5.0	10.0	0.6	CB84103-2J40****	500	0.18	32.0	18.0	9.0	27.5	0.8	CB84184-2JB0****	500
0.012	13.0	11.0	5.0	10.0	0.6	CB84123-2J40****	500	0.22	32.0	18.0	9.0	27.5	0.8	CB84224-2JB0****	500
0.015	13.0	12.0	6.0	10.0	0.6	CB84153-2J40****	500	0.27	32.0	20.0	11.0	27.5	0.8	CB84274-2JB0****	200
0.018	13.0	12.0	6.0	10.0	0.6	CB84183-2J40****	500	0.33	32.0	20.0	11.0	27.5	0.8	CB84334-2JB0****	200
0.010	18.0	11.0	5.0	15.0	0.8	CB84103-2J60****	500	0.39	32.0	20.0	11.0	27.5	0.8	CB84394-2JB0****	200
0.012	18.0	11.0	5.0	15.0	0.8	CB84123-2J60****	500	0.47	32.0	22.0	13.0	27.5	0.8	CB84474-2JB0****	100
0.015	18.0	11.0	5.0	15.0	0.8	CB84153-2J60****	500	0.56	32.0	24.5	15.0	27.5	0.8	CB84564-2JB0****	100
0.018	18.0	11.0	5.0	15.0	0.8	CB84183-2J60****	500	0.68	32.0	28.0	14.0	27.5	0.8	CB84684-2JB0****	100
0.022	18.0	11.0	5.0	15.0	0.8	CB84223-2J60****	500	0.82	32.0	33.0	18.0	27.5	0.8	CB84824-2JB0****	50
0.027	18.0	11.0	5.0	15.0	0.8	CB84273-2J60****	500	1.0	32.0	33.0	18.0	27.5	0.8	CB84105-2JB0****	50

备注:

“-”: 客户要求的容量偏差

“\*\*\*\*”: 引线加工和包装代码 (见 15 页表 4)

MOQ: 最小订单量

“-”=custom's capacitor tolerance code, J=±5%, K=±10%, M=±20%

“\*\*\*\*”= Lead form and packing code (refer to table 4 in page 15)

MOQ = Minimum order quantity



# CBB84

CBB84 series

◆ 产品尺寸: Product Dimension:

1000Vdc/1250Vdc <sup>▲</sup> (600Vac)															
C (μF)	W	H	T	P	d	产品代码 Part number	MOQ	C (μF)	W	H	T	P	d	产品代码 Part number	MOQ
0.0010	10.5	9.0	4.0	7.5	0.6	CB84102-3A30****	1000	0.027	18.0	13.5	7.5	15.0	0.8	CB84273-3A60****	500
0.0012	10.5	9.0	4.0	7.5	0.6	CB84122-3A30****	1000	0.033	18.0	14.5	8.5	15.0	0.8	CB84333-3A60****	500
0.0015	10.5	11.0	5.0	7.5	0.6	CB84152-3A30****	1000	0.039	18.0	16.0	10.0	15.0	0.8	CB84393-3A60****	500
0.0018	10.5	11.0	5.0	7.5	0.6	CB84182-3A30****	1000	0.047	18.0	16.0	10.0	15.0	0.8	CB84473-3A60****	500
0.0022	10.5	11.0	5.0	7.5	0.6	CB84222-3A30****	1000	0.056	18.0	19.0	11.0	15.0	0.8	CB84563-3A60****	200
0.0027	10.5	12.0	6.0	7.5	0.6	CB84272-3A30****	1000	0.022	26.5	15.0	6.0	22.5	0.8	CB84223-3A90****	500
0.0033	10.5	12.0	6.0	7.5	0.6	CB84332-3A30****	1000	0.027	26.5	15.0	6.0	22.5	0.8	CB84273-3A90****	500
0.0039	10.5	12.0	6.0	7.5	0.6	CB84392-3A30****	1000	0.033	26.5	15.0	6.0	22.5	0.8	CB84333-3A90****	500
0.0010	13.0	9.0	4.0	10.0	0.6	CB84102-3A40****	500	0.039	26.5	15.0	6.0	22.5	0.8	CB84393-3A90****	500
0.0012	13.0	9.0	4.0	10.0	0.6	CB84122-3A40****	500	0.047	26.5	16.0	7.0	22.5	0.8	CB84473-3A90****	500
0.0015	13.0	9.0	4.0	10.0	0.6	CB84152-3A40****	500	0.056	26.5	16.0	7.0	22.5	0.8	CB84563-3A90****	500
0.0018	13.0	9.0	4.0	10.0	0.6	CB84182-3A40****	500	0.068	26.5	17.0	8.5	22.5	0.8	CB84683-3A90****	500
0.0022	13.0	9.0	4.0	10.0	0.6	CB84222-3A40****	500	0.082	26.5	17.0	8.5	22.5	0.8	CB84823-3A90****	200
0.0027	13.0	9.0	4.0	10.0	0.6	CB84272-3A40****	500	0.10	26.5	18.5	10.0	22.5	0.8	CB84104-3A90****	200
0.0033	13.0	9.0	4.0	10.0	0.6	CB84332-3A40****	500	0.12	26.5	20.0	11.0	22.5	0.8	CB84124-3A90****	200
0.0039	13.0	11.0	5.0	10.0	0.6	CB84392-3A40****	500	0.15	26.5	22.0	12.0	22.5	0.8	CB84154-3A90****	200
0.0047	13.0	11.0	5.0	10.0	0.6	CB84472-3A40****	500	0.10	32.0	18.0	9.0	27.5	0.8	CB84104-3AB0****	500
0.0056	13.0	12.0	6.0	10.0	0.6	CB84562-3A40****	500	0.12	32.0	20.0	11.0	27.5	0.8	CB84124-3AB0****	200
0.0068	13.0	12.0	6.0	10.0	0.6	CB84682-3A40****	500	0.15	32.0	20.0	11.0	27.5	0.8	CB84154-3AB0****	200
0.0082	18.0	11.0	5.0	15.0	0.8	CB84822-3A60****	500	0.18	32.0	22.0	13.0	27.5	0.8	CB84184-3AB0****	100
0.010	18.0	11.0	5.0	15.0	0.8	CB84103-3A60****	500	0.22	32.0	22.0	13.0	27.5	0.8	CB84224-3AB0****	100
0.012	18.0	11.0	5.0	15.0	0.8	CB84123-3A60****	500	0.27	32.0	24.5	15.0	27.5	0.8	CB84274-3AB0****	100
0.015	18.0	11.0	5.0	15.0	0.8	CB84153-3A60****	500	0.33	32.0	28.0	14.0	27.5	0.8	CB84334-3AB0****	100
0.018	18.0	12.0	6.0	15.0	0.8	CB84183-3A60****	500	0.39	32.0	28.0	17.0	27.5	0.8	CB84394-3AB0****	50
0.022	18.0	13.5	7.5	15.0	0.8	CB84223-3A60****	500	0.47	32.0	33.0	18.0	27.5	0.8	CB84474-3AB0****	50

备注:

“-”: 客户要求的容量偏差

“\*\*\*\*”: 引线加工和包装代码 (见 15 页表 4)

“▲”: 当额定电压为 1250Vdc 时, 第 9~10 位为 3B

MOQ: 最小订单量

“-”=custom's capacitor tolerance code, J=±5%, K=±10%, M=±20%

“\*\*\*\*”= Lead form and packing code (refer to table 4 in page 15)

“▲”=when the rated voltage is 1250Vdc, the digit 9~10 is 3B

MOQ = Minimum order quantity

◆ 产品尺寸: Product Dimension:

1600Vdc(650Vac)															
C ( $\mu$ F)	W	H	T	P	d	产品代码 Part number	MOQ	C ( $\mu$ F)	W	H	T	P	d	产品代码 Part number	MOQ
0.0010	18.0	11.0	5.0	15.0	0.8	CB84102-3C60****	500	0.018	26.5	15.0	6.0	22.5	0.8	CB84183-3C90****	500
0.0012	18.0	11.0	5.0	15.0	0.8	CB84122-3C60****	500	0.022	26.5	15.0	6.0	22.5	0.8	CB84223-3C90****	500
0.0015	18.0	11.0	5.0	15.0	0.8	CB84152-3C60****	500	0.027	26.5	16.0	7.0	22.5	0.8	CB84273-3C90****	500
0.0018	18.0	11.0	5.0	15.0	0.8	CB84182-3C60****	500	0.033	26.5	16.0	7.0	22.5	0.8	CB84333-3C90****	500
0.0022	18.0	11.0	5.0	15.0	0.8	CB84222-3C60****	500	0.039	26.5	17.0	8.5	22.5	0.8	CB84393-3C90****	500
0.0027	18.0	11.0	5.0	15.0	0.8	CB84272-3C60****	500	0.047	26.5	18.5	10.0	22.5	0.8	CB84473-3C90****	200
0.0033	18.0	11.0	5.0	15.0	0.8	CB84332-3C60****	500	0.056	26.5	18.5	10.0	22.5	0.8	CB84563-3C90****	200
0.0039	18.0	11.0	5.0	15.0	0.8	CB84392-3C60****	500	0.068	26.5	20.0	11.0	22.5	0.8	CB84683-3C90****	200
0.0047	18.0	11.0	5.0	15.0	0.8	CB84472-3C60****	500	0.082	26.5	22.0	12.0	22.5	0.8	CB84823-3C90****	200
0.0056	18.0	11.0	5.0	15.0	0.8	CB84562-3C60****	500	0.033	32.0	18.0	9.0	27.5	0.8	CB84333-3CB0****	500
0.0068	18.0	12.0	6.0	15.0	0.8	CB84682-3C60****	500	0.039	32.0	18.0	9.0	27.5	0.8	CB84393-3CB0****	500
0.0082	18.0	12.0	6.0	15.0	0.8	CB84822-3C60****	500	0.047	32.0	18.0	9.0	27.5	0.8	CB84473-3CB0****	500
0.010	18.0	12.0	6.0	15.0	0.8	CB84103-3C60****	500	0.056	32.0	18.0	9.0	27.5	0.8	CB84563-3CB0****	500
0.012	18.0	13.5	7.5	15.0	0.8	CB84123-3C60****	500	0.068	32.0	20.0	11.0	27.5	0.8	CB84683-3CB0****	200
0.015	18.0	14.5	8.5	15.0	0.8	CB84153-3C60****	500	0.082	32.0	20.0	11.0	27.5	0.8	CB84823-3CB0****	200
0.018	18.0	14.5	8.5	15.0	0.8	CB84183-3C60****	500	0.10	32.0	20.0	11.0	27.5	0.8	CB84104-3CB0****	200
0.022	18.0	14.5	8.5	15.0	0.8	CB84223-3C60****	500	0.12	32.0	22.0	13.0	27.5	0.8	CB84124-3CB0****	100
0.027	18.0	16.0	10.0	15.0	0.8	CB84273-3C60****	500	0.15	32.0	28.0	14.0	27.5	0.8	CB84154-3CB0****	100
0.033	18.0	19.0	11.0	15.0	0.8	CB84333-3C60****	200	0.18	32.0	28.0	14.0	27.5	0.8	CB84184-3CB0****	100
0.010	26.5	15.0	6.0	22.5	0.8	CB84103-3C90****	500	0.22	32.0	28.0	17.0	27.5	0.8	CB84224-3CB0****	50
0.012	26.5	15.0	6.0	22.5	0.8	CB84123-3C90****	500	0.27	32.0	33.0	18.0	27.5	0.8	CB84274-3CB0****	50
0.015	26.5	15.0	6.0	22.5	0.8	CB84153-3C90****	500	0.33	32.0	33.0	18.0	27.5	0.8	CB84334-3CB0****	50

备注:

“-”: 客户要求的容量偏差

“\*\*\*\*”: 引线加工和包装代码 (见 15 页表 4)

MOQ: 最小订单量

“-”=custom's capacitor tolerance code, J=±5%, K=±10%, M=±20%

“\*\*\*\*”= Lead form and packing code (refer to table 4 in page 15)

MOQ = Minimum order quantity



# CBB84

## CBB84 series

### ◆ 产品尺寸: Product Dimension:

2000Vdc(700Vac)															
C (μF)	W	H	T	P	d	产品代码 Part number	MOQ	C (μF)	W	H	T	P	d	产品代码 Part number	MOQ
0.0010	18.0	11.0	5.0	15.0	0.8	CB84102-3D60****	500	0.0082	26.5	15.0	6.0	22.5	0.8	CB84822-3D90****	500
0.0012	18.0	11.0	5.0	15.0	0.8	CB84122-3D60****	500	0.010	26.5	16.0	7.0	22.5	0.8	CB84103-3D90****	500
0.0015	18.0	11.0	5.0	15.0	0.8	CB84152-3D60****	500	0.012	26.5	16.0	7.0	22.5	0.8	CB84123-3D90****	500
0.0018	18.0	11.0	5.0	15.0	0.8	CB84182-3D60****	500	0.015	26.5	17.0	8.5	22.5	0.8	CB84153-3D90****	500
0.0022	18.0	12.0	6.0	15.0	0.8	CB84222-3D60****	500	0.018	26.5	18.5	10.0	22.5	0.8	CB84183-3D90****	200
0.0027	18.0	12.0	6.0	15.0	0.8	CB84272-3D60****	500	0.022	26.5	18.5	10.0	22.5	0.8	CB84223-3D90****	200
0.0033	18.0	13.5	7.5	15.0	0.8	CB84332-3D60****	500	0.027	26.5	20.0	11.0	22.5	0.8	CB84273-3D90****	200
0.0039	18.0	13.5	7.5	15.0	0.8	CB84392-3D60****	500	0.033	26.5	22.0	12.0	22.5	0.8	CB84333-3D90****	200
0.0047	18.0	13.5	7.5	15.0	0.8	CB84472-3D60****	500	0.015	32.0	18.0	9.0	27.5	0.8	CB84153-3DB0****	500
0.0056	18.0	14.5	8.5	15.0	0.8	CB84562-3D60****	500	0.018	32.0	18.0	9.0	27.5	0.8	CB84183-3DB0****	500
0.0068	18.0	14.5	8.5	15.0	0.8	CB84682-3D60****	500	0.022	32.0	18.0	9.0	27.5	0.8	CB84223-3DB0****	500
0.0082	18.0	16.0	10.0	15.0	0.8	CB84822-3D60****	500	0.027	32.0	20.0	11.0	27.5	0.8	CB84273-3DB0****	200
0.010	18.0	19.0	11.0	15.0	0.8	CB84103-3D60****	200	0.033	32.0	20.0	11.0	27.5	0.8	CB84333-3DB0****	200
0.012	18.0	19.0	11.0	15.0	0.8	CB84123-3D60****	200	0.039	32.0	22.0	13.0	27.5	0.8	CB84393-3DB0****	100
0.0033	26.5	15.0	6.0	22.5	0.8	CB84332-3D90****	500	0.047	32.0	22.0	13.0	27.5	0.8	CB84473-3DB0****	100
0.0039	26.5	15.0	6.0	22.5	0.8	CB84392-3D90****	500	0.056	32.0	24.5	15.0	27.5	0.8	CB84563-3DB0****	100
0.0047	26.5	15.0	6.0	22.5	0.8	CB84472-3D90****	500	0.068	32.0	28.0	14.0	27.5	0.8	CB84683-3DB0****	100
0.0056	26.5	15.0	6.0	22.5	0.8	CB84562-3D90****	500	0.082	32.0	28.0	17.0	27.5	0.8	CB84823-3DB0****	50
0.0068	26.5	15.0	6.0	22.5	0.8	CB84682-3D90****	500	0.10	32.0	33.0	18.0	27.5	0.8	CB84104-3DB0****	50

备注:

“-”: 客户要求的容量偏差

“-”=custom's capacitor tolerance code, J=±5%, K=±10%, M=±20%

“\*\*\*\*”: 引线加工和包装代码 (见 15 页表 4)

“\*\*\*\*\*”= Lead form and packing code (refer to table 4 in page 15)

MOQ: 最小订单量

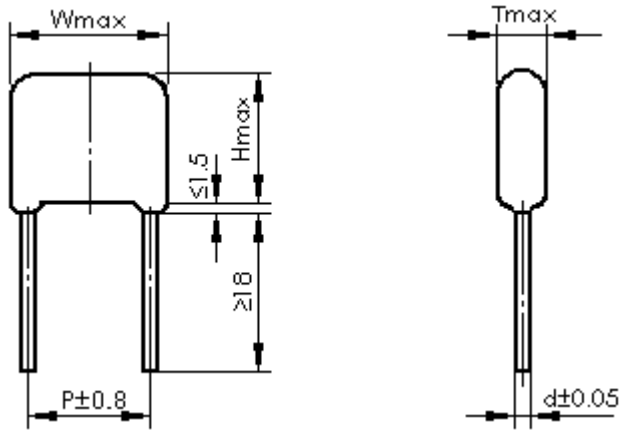
MOQ = Minimum order quantity

### ◆ 最大电压脉冲斜率: Max dv/dt (V/μs)

额定电压 (V)	dv/dt(V/μs)				
	P=7.5mm	P=10.0mm	P=15.0mm	P=22.5mm	P=27.5mm
250	1 200	1 000	600	300	200
400	1 800	1 500	900	500	300
630	3 200	3 200	2 500	1 500	900
1000	6 000	6 000	3 300	2 200	1 000
1600	/	/	6 500	3 000	2 000
2000	/	/	10 000	5 000	2 200

## CBB62 型金属化聚丙烯膜介质交流固定电容器（浸渍型） Metallized Polypropylene Film A.C. Capacitor（Dipped）

### ◆ 外形尺寸图及产品结构 Outline Drawing and Capacitor Construction



### ◆ 特点及用途 Application and Feature

金属化聚丙烯膜，无感卷绕结构，自愈性好，可靠性高，适用于损耗要求小、内部温升小的交流场合。

Metallized Polypropylene Film Capacitor, non-inductive wound construction, reliable quality due to self-healing effect. Suitable for AC purpose where low loss and small inherent temperature rise important.

### ◆ 技术要求 Specifications

参照标准 Reference Standard	GB 14579、IEC 60384-17	
气候类别 Climatic Category	40/85/21	
工作温度范围 Operation Temperature Range	-40℃~85℃	
额定温度 Rated Temperature	85℃	
额定电压 Rated Voltage	275/305Vac	
最大连续直流电压 Maximum continuous DC voltage	标准化 Normal Size	630Vdc
	小型化 Miniaturization	560Vdc
电容量范围 Capacitance Range	0.001 $\mu$ F~4.7 $\mu$ F	
电容量偏差 Capacitance Tolerance	$\pm 5\%$ (J)、 $\pm 10\%$ (K)、 $\pm 20\%$ (M) (20℃, 1kHz)	
耐电压 Voltage Proof	U=4.3U <sub>R</sub> (20℃, 5s)	
绝缘电阻 Insulation Resistance	C <sub>R</sub> ≤0.33 $\mu$ F, IR≥100 000M $\Omega$ C <sub>R</sub> >0.33 $\mu$ F, IR×C≥30 000s	(20℃, 100Vdc, 1min)
损耗角正切 Dissipation Factor	≤0.0010 (1kHz, 20℃) ≤0.0020 (10kHz, 20℃) (C <sub>R</sub> ≤1 $\mu$ F)	

### ◆ 最大电压脉冲斜率：Max dv/dt (V/ $\mu$ s)

额定电压 (Vac)	Max dv/dt (V/ $\mu$ s)				
	P=7.5	P=10.0	P=15.0	P=22.5	P=27.5
275/305	500	475	340	170	120
275/305 (Miniature)	450	400	300	/	/





CBB62

CBB62 series

◆ 产品尺寸: Special Product Dimension:

275Vac <sup>▲</sup> /305Vac																
C ( $\mu$ F)	W	H	T	P	d	产品代码 Part number	MOQ	C ( $\mu$ F)	W	H	T	P	d	产品代码 Part number	MOQ	
0.0010	10.2	8.0	4.0	7.5	0.6	CB62102-P230****	1000	0.039	12.5	9.0	4.0	10.0	0.6	CB62393-P240****	500	
0.0012	10.2	8.0	4.0	7.5	0.6	CB62122-P230****	1000	0.047	12.5	9.0	4.5	10.0	0.6	CB62473-P240****	500	
0.0015	10.2	9.0	4.0	7.5	0.6	CB62152-P230****	1000	0.056	12.5	10.0	4.5	10.0	0.6	CB62563-P240****	500	
0.0018	10.2	9.0	4.0	7.5	0.6	CB62182-P230****	1000	0.068	12.5	10.5	5.0	10.0	0.6	CB62683-P240****	500	
0.0022	10.2	8.0	4.0	7.5	0.6	CB62222-P230****	1000	0.082	12.5	11.0	5.5	10.0	0.6	CB62823-P240****	500	
0.0027	10.5	9.0	4.0	7.5	0.6	CB62272-P230****	1000	0.1	12.5	11.5	6.0	10.0	0.6	CB62104-P240****	500	
0.0033	10.2	7.5	3.5	7.5	0.6	CB62332-P230****	1000	0.12	12.5	12.0	6.5	10.0	0.6	CB62124-P240****	500	
0.0039	10.2	8.0	4.0	7.5	0.6	CB62392-P230****	1000	0.15	12.5	12.5	7.0	10.0	0.6	CB62154-P240****	500	
0.0047	10.2	8.5	4.0	7.5	0.6	CB62472-P230****	1000	0.01	17.5	9.5	4.5	15.0	0.6	CB62103-P260****	500	
0.0056	10.2	8.0	3.5	7.5	0.6	CB62562-P230****	1000	0.012	17.5	10.5	4.5	15.0	0.6	CB62123-P260****	500	
0.0068	10.2	8.0	4.0	7.5	0.6	CB62682-P230****	1000	0.015	17.5	11.0	5.0	15.0	0.6	CB62153-P260****	500	
0.0082	10.2	9.0	4.0	7.5	0.6	CB62822-P230****	1000	0.018	17.5	10.0	4.5	15.0	0.6	CB62183-P260****	500	
0.01	10.2	8.0	4.0	7.5	0.6	CB62103-P230****	1000	0.022	17.5	10.5	5.0	15.0	0.6	CB62223-P260****	500	
0.012	10.2	8.5	4.0	7.5	0.6	CB62123-P230****	1000	0.027	17.5	10.0	4.0	15.0	0.6	CB62273-P260****	500	
0.015	10.2	8.0	4.0	7.5	0.6	CB62153-P230****	1000	0.033	17.5	10.5	4.5	15.0	0.6	CB62333-P260****	500	
0.018	10.2	8.0	3.5	7.5	0.6	CB62183-P230****	1000	0.039	17.5	10.5	5.0	15.0	0.6	CB62393-P260****	500	
0.022	10.2	8.5	4.0	7.5	0.6	CB62223-P230****	1000	0.047	17.5	10.0	4.5	15.0	0.6	CB62473-P260****	500	
0.027	10.2	8.5	4.5	7.5	0.6	CB62273-P230****	1000	0.056	17.5	10.5	4.5	15.0	0.6	CB62563-P260****	500	
0.033	10.2	9.5	4.5	7.5	0.6	CB62333-P230****	1000	0.068	17.5	10.0	4.5	15.0	0.6	CB62683-P260****	500	
0.039	10.2	10.5	4.5	7.5	0.6	CB62393-P230****	1000	0.082	17.5	10.5	5.0	15.0	0.6	CB62823-P260****	500	
0.047	10.2	10.0	5.5	7.5	0.6	CB62473-P230****	1000	0.1	17.5	10.5	4.5	15.0	0.6	CB62104-P260****	500	
0.0047	12.5	8.0	3.5	10.0	0.6	CB62472-P240****	500	0.12	17.5	10.5	5.0	15.0	0.6	CB62124-P260****	500	
0.0056	12.5	8.0	4.0	10.0	0.6	CB62562-P240****	500	0.15	17.5	10.5	6.0	15.0	0.8	CB62154-P260****	500	
0.0068	12.5	9.0	4.0	10.0	0.6	CB62682-P240****	500	0.18	17.5	11.5	6.0	15.0	0.8	CB62184-P260****	500	
0.0082	12.5	7.5	3.5	10.0	0.6	CB62822-P240****	500	0.22	17.5	13.5	6.0	15.0	0.8	CB62224-P260****	500	
0.01	12.5	8.0	4.0	10.0	0.6	CB62103-P240****	500	0.27	17.5	13.0	7.5	15.0	0.8	CB62274-P260****	500	
0.012	12.5	8.0	4.0	10.0	0.6	CB62123-P240****	500	0.33	17.5	14.0	8.0	15.0	0.8	CB62334-P260****	500	
0.015	12.5	8.0	4.0	10.0	0.6	CB62153-P240****	500	0.39	17.5	14.5	9.0	15.0	0.8	CB62394-P260****	500	
0.018	12.5	8.5	4.0	10.0	0.6	CB62183-P240****	500	0.47	17.5	15.5	9.5	15.0	0.8	CB62474-P260****	500	
0.022	12.5	8.0	4.0	10.0	0.6	CB62223-P240****	500	0.56	17.5	16.5	10.5	15.0	0.8	CB62564-P260****	500	
0.027	12.5	9.0	4.0	10.0	0.6	CB62273-P240****	500	0.68	17.5	18.5	11.0	15.0	0.8	CB62684-P260****	500	
0.033	12.5	8.0	4.0	10.0	0.6	CB62333-P240****	500	0.82	17.5	20.5	11.5	15.0	0.8	CB62824-P260****	500	

◆ 小型化: Miniature version:

275Vac <sup>▲</sup> /305Vac																
C ( $\mu$ F)	W	H	T	P	d	产品代码 Part number	MOQ	C ( $\mu$ F)	W	H	T	P	d	产品代码 Part number	MOQ	
0.027	10.2	8.0	3.5	7.5	0.6	CB62273-P23M****	1000	0.22	12.5	13.0	7.5	10.0	0.6	CB62224-P24M****	500	
0.033	10.2	8.5	4.0	7.5	0.6	CB62333-P23M****	1000	0.27	12.5	14.0	8.0	10.0	0.6	CB62274-P24M****	500	
0.039	10.2	9.0	4.0	7.5	0.6	CB62393-P23M****	1000	0.15	17.5	10.5	4.5	15.0	0.6	CB62154-P26M****	500	
0.047	10.2	9.5	4.5	7.5	0.6	CB62473-P23M****	1000	0.18	17.5	10.5	5.0	15.0	0.6	CB62184-P26M****	500	
0.056	10.2	9.5	5.0	7.5	0.6	CB62563-P23M****	1000	0.22	17.5	10.5	5.5	15.0	0.8	CB62224-P26M****	500	
0.068	10.2	10.5	5.0	7.5	0.6	CB62683-P23M****	1000	0.27	17.5	11.5	6.0	15.0	0.8	CB62274-P26M****	500	
0.082	10.2	11.0	5.5	7.5	0.6	CB62823-P23M****	1000	0.33	17.5	12.5	6.5	15.0	0.8	CB62334-P26M****	500	
0.1	10.2	12.0	6.0	7.5	0.6	CB62104-P23M****	1000	0.39	17.5	13.0	7.0	15.0	0.8	CB62394-P26M****	500	
0.12	10.2	12.5	7.0	7.5	0.6	CB62124-P23M****	1000	0.47	17.5	13.5	8.0	15.0	0.8	CB62474-P26M****	500	
0.1	12.5	10.5	5.0	10.0	0.6	CB62104-P24M****	500	0.56	17.5	14.0	9.0	15.0	0.8	CB62564-P26M****	500	
0.12	12.5	11.0	5.5	10.0	0.6	CB62124-P24M****	500	0.68	17.5	15.5	9.5	15.0	0.8	CB62684-P26M****	500	
0.15	12.5	11.5	6.0	10.0	0.6	CB62154-P24M****	500	0.82	17.5	17.0	10.0	15.0	0.8	CB62824-P26M****	500	
0.18	12.5	12.0	6.5	10.0	0.6	CB62184-P24M****	500	1	17.5	18.5	11.0	15.0	0.8	CB62105-P26M****	500	

备注:

“-”: 客户要求的容量偏差

“\*\*\*\*”: 引线加工和包装代码 (见 15 页表 4)

“▲”: 当额定电压为 275Vac 时, 第 9~10 位为 N3

MOQ: 最小订单量

“-”=custom's capacitor tolerance code, J=±5%, K=±10%, M=±20%

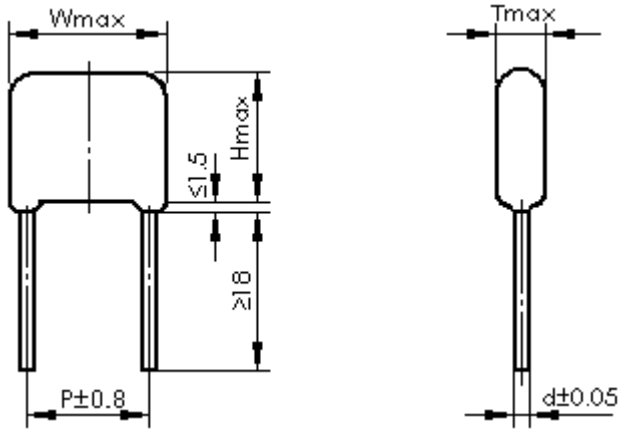
“\*\*\*\*”= Lead form and packing code (refer to table 4 in page 15)

“▲”=when the rated voltage is 275Vac, the digit 9~10 is N3

MOQ = Minimum order quantity

## CBB82 型大电流箔式聚丙烯薄膜电容器（浸渍型） High-Current Foil Polypropylene Film Capacitor (Dipped)

### ◆ 外形尺寸图及产品结构 Outline Drawing and Capacitor Construction



### ◆ 特点及用途 Application and Feature

具有耐压高、损耗小、绝缘电阻高、承受电流大、高频特性优等特点，阻燃环氧粉末包封。适用于直流、脉冲和功率较小而要求较高的高频电路。

High-voltage tolerance, low-loss, high insulation resistance, heavy current and high-frequency. Suitable for the direct current, impulse and other high-frequency circuits with high requirements. Flame retardant epoxy resin powder coating.

### ◆ 技术要求 Specifications

参照标准 Reference Standard	GB/T 14579、IEC 60384-17
气候类别 Climatic Category	40/105/21
工作温度范围 Operation Temperature Range	-40℃~105℃
额定温度 Rated Temperature	85℃
额定电压 Rated Voltage	630Vdc、1000Vdc/1250Vdc、1600Vdc、2000Vdc
电容量范围 Capacitance Range	0.001μF~1.0μF
电容量偏差 Capacitance Tolerance	±5%(J)、±10%(K)、±20%(M) (20℃, 1kHz)
耐电压 Voltage Proof	U=1.75U <sub>R</sub> (20℃, 5s)
绝缘电阻 Insulation Resistance	≥100 000 MΩ (20℃, 100Vdc, 1min)
损耗角正切 Dissipation Factor	≤0.0010 (1kHz, 20℃) ≤0.0020 (10kHz, 20℃)

说明：电容器的工作电压随温度上升而下降，在 85~105℃ 之间，以 85℃ 为基准，环境温度每上升 1℃，电容器的额定工作电压应降低 1.25%。  
Note: The working voltage of the capacitor decreases as the temperature rises. between 85~105℃, take 85℃ as the base, the temperature rises 1℃, the rated working voltage of the capacitor decreases 1.25%.

### ◆ 最大电压脉冲斜率：Max dv/dt (V/μs)

额定电压 (Vdc)	Max dv/dt (V/μs)	
	P=10.0	P=15.0
630	11 200	9 800
1000/1250	14 500	13 000
1600	/	15 800
2000	/	18 000



**CBB82**  
CBB82 series

◆ 产品尺寸: Special Product Dimension:

630Vdc								1000Vdc <sup>▲</sup> /1250Vdc							
C (μF)	W	H	T	P	d	产品代码 Part number	MOQ	C (μF)	W	H	T	P	d	产品代码 Part number	MOQ
0.0010	13.0	9.5	4.5	10.0	0.6	CB82102-2J41****	500	0.0015	13.0	9.5	4.5	10.0	0.6	CB82152-3B41****	500
0.0015	13.0	9.5	4.5	10.0	0.6	CB82152-2J41****	500	0.0018	13.0	9.5	4.5	10.0	0.6	CB82182-3B41****	500
0.0022	13.0	9.5	4.5	10.0	0.6	CB82222-2J41****	500	0.0022	13.0	9.5	4.5	10.0	0.6	CB82222-3B41****	500
0.0033	13.0	9.5	4.5	10.0	0.6	CB82332-2J41****	500	0.0027	13.0	9.5	4.5	10.0	0.6	CB82272-3B41****	500
0.0047	13.0	10.0	4.5	10.0	0.6	CB82472-2J41****	500	0.0033	13.0	9.5	4.5	10.0	0.6	CB82332-3B41****	500
0.0056	13.0	10.0	4.5	10.0	0.6	CB82562-2J41****	500	0.0039	13.0	10.5	4.5	10.0	0.6	CB82392-3B41****	500
0.0068	13.0	10.5	5.0	10.0	0.6	CB82682-2J41****	500	0.0047	13.0	10.5	5.0	10.0	0.6	CB82472-3B41****	500
0.0082	13.0	11.0	5.0	10.0	0.6	CB82822-2J41****	500	0.0056	13.0	11.0	5.5	10.0	0.6	CB82562-3B41****	500
0.0100	13.0	11.5	6.0	10.0	0.6	CB82103-2J41****	500	0.0068	13.0	12.0	6.0	10.0	0.6	CB82682-3B41****	500
0.0010	18.0	10.5	5.0	15.0	0.6	CB82102-2J61****	500	0.0082	13.0	12.5	7.0	10.0	0.6	CB82822-3B41****	500
0.0015	18.0	10.5	5.0	15.0	0.6	CB82152-2J61****	500	0.010	13.0	13.0	7.5	10.0	0.6	CB82103-3B41****	500
0.0022	18.0	10.5	5.0	15.0	0.6	CB82222-2J61****	500	0.015	13.0	16.0	8.5	10.0	0.6	CB82153-3B41****	500
0.0033	18.0	10.5	5.0	15.0	0.6	CB82332-2J61****	500	0.0047	18.0	10.5	5.0	15.0	0.6	CB82472-3B61****	500
0.0047	18.0	10.0	4.5	15.0	0.6	CB82472-2J61****	500	0.0056	18.0	10.5	5.0	15.0	0.6	CB82562-3B61****	500
0.0056	18.0	10.5	5.0	15.0	0.6	CB82562-2J61****	500	0.0068	18.0	10.5	5.0	15.0	0.6	CB82682-3B61****	500
0.0068	18.0	10.0	4.5	15.0	0.6	CB82682-2J61****	500	0.0082	18.0	10.5	5.0	15.0	0.6	CB82822-3B61****	500
0.0082	18.0	10.5	5.0	15.0	0.6	CB82822-2J61****	500	0.010	18.0	11.0	5.0	15.0	0.6	CB82103-3B61****	500
0.010	18.0	11.0	5.0	15.0	0.6	CB82103-2J61****	500	0.012	18.0	11.5	5.5	15.0	0.6	CB82123-3B61****	500
0.015	18.0	10.5	5.0	15.0	0.6	CB82153-2J61****	500	0.015	18.0	12.0	6.0	15.0	0.8	CB82153-3B61****	500
0.022	18.0	11.5	6.0	15.0	0.8	CB82223-2J61****	500	0.018	18.0	13.5	6.5	15.0	0.8	CB82183-3B61****	500
0.033	18.0	14.0	6.5	15.0	0.8	CB82333-2J61****	500	0.022	18.0	14.0	7.0	15.0	0.8	CB82223-3B61****	500
0.047	18.0	15.5	8.0	15.0	0.8	CB82473-2J61****	500	0.027	18.0	15.0	8.0	15.0	0.8	CB82273-3B61****	500
0.056	18.0	16.0	9.0	15.0	0.8	CB82563-2J61****	500	0.033	18.0	16.0	9.0	15.0	0.8	CB82333-3B61****	500
0.068	18.0	17.0	10.0	15.0	0.8	CB82683-2J61****	500	0.039	18.0	17.0	9.5	15.0	0.8	CB82393-3B61****	500
0.082	18.0	18.0	11.0	15.0	0.8	CB82823-2J61****	500	0.047	18.0	18.0	10.5	15.0	0.8	CB82473-3B61****	500
0.10	18.0	20.5	11.5	15.0	0.8	CB82104-2J61****	500								

1600Vdc								2000Vdc							
C (μF)	W	H	T	P	d	产品代码 Part number	MOQ	C (μF)	W	H	T	P	d	产品代码 Part number	MOQ
0.0010	18.0	10.5	5.0	15.0	0.6	CB82102-3C61****	500	0.0010	18.0	10.5	5.0	15.0	0.6	CB82102-3D61****	500
0.0012	18.0	10.5	5.0	15.0	0.6	CB82122-3C61****	500	0.0012	18.0	10.5	5.0	15.0	0.6	CB82122-3D61****	500
0.0015	18.0	10.5	5.0	15.0	0.6	CB82152-3C61****	500	0.0015	18.0	10.5	5.0	15.0	0.6	CB82152-3D61****	500
0.0018	18.0	11.0	5.0	15.0	0.6	CB82182-3C61****	500	0.0018	18.0	11.0	5.0	15.0	0.6	CB82182-3D61****	500
0.0022	18.0	11.0	5.0	15.0	0.6	CB82222-3C61****	500	0.0022	18.0	11.5	6.0	15.0	0.8	CB82222-3D61****	500
0.0027	18.0	10.5	5.0	15.0	0.6	CB82272-3C61****	500	0.0027	18.0	12.0	6.5	15.0	0.8	CB82272-3D61****	500
0.0033	18.0	11.0	5.0	15.0	0.6	CB82332-3C61****	500	0.0033	18.0	13.5	6.5	15.0	0.8	CB82332-3D61****	500
0.0039	18.0	11.5	5.5	15.0	0.6	CB82392-3C61****	500	0.0039	18.0	14.0	7.0	15.0	0.8	CB82392-3D61****	500
0.0047	18.0	12.0	6.0	15.0	0.8	CB82472-3C61****	500	0.0047	18.0	15.0	7.5	15.0	0.8	CB82472-3D61****	500
0.0056	18.0	13.5	6.0	15.0	0.8	CB82562-3C61****	500	0.0056	18.0	15.5	8.5	15.0	0.8	CB82562-3D61****	500
0.0068	18.0	14.0	7.0	15.0	0.8	CB82682-3C61****	500	0.0068	18.0	16.5	9.0	15.0	0.8	CB82682-3D61****	500
0.0082	18.0	14.5	7.5	15.0	0.8	CB82822-3C61****	500	0.0082	18.0	17.5	10.0	15.0	0.8	CB82822-3D61****	500
0.010	18.0	15.5	8.5	15.0	0.8	CB82103-3C61****	500								
0.012	18.0	16.5	9.0	15.0	0.8	CB82123-3C61****	500								
0.015	18.0	17.5	10.5	15.0	0.8	CB82153-3C61****	500								

备注:

“-”: 客户要求的容量偏差

“\*\*\*\*”: 引线加工和包装代码 (见 15 页表 4)

MOQ: 最小订单量

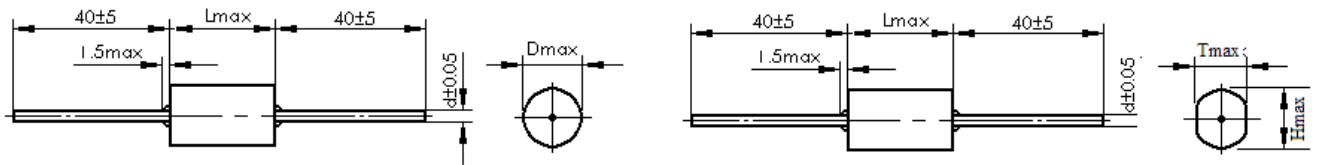
“-”=custom's capacitor tolerance code, J=±5%, K=±10%, M=±20%

“\*\*\*\*”= Lead form and packing code (refer to table 4 in page 15)

MOQ = Minimum order quantity

## CL20 型轴向金属化聚酯膜电容器 Metallized Polyester Film Capacitor (Axial-Type)

### ◆ 外形尺寸图及产品结构 Outline Drawing and Capacitor Construction



① Axial circular

② Axial oval

### ◆ 特点及用途 Application and Feature

金属化聚酯膜，无感卷绕结构，体积小，自愈性好，适用于电子设备的直流和脉动电路。

Metallized polyester film, non-inductive wound construction, small size and excellent self-healing property. Suitable for DC impulse and pulse circuit.

### ◆ 技术要求 Specifications

参照标准 Reference Standard	GB 7332、IEC 60384-2		
气候类别 Climatic Category	55/105/21		
工作温度范围 Operation Temperature Range	-55℃~105℃		
额定温度 Rated Temperature	85℃		
额定电压 Rated Voltage	63Vdc、100Vdc、250Vdc、400Vdc、630Vdc、1000Vdc		
电容量范围 Capacitance Range	0.01μF~10.0μF		
电容量偏差 Capacitance Tolerance	±5%(J)、±10%(K)、±20%(M) (20℃, 1kHz)		
耐电压 Voltage Proof	U=1.6UR (20℃, 5s)		
绝缘电阻 Insulation Resistance	UR≤100Vdc	CR≤0.33μF, IR≥15 000MΩ CR>0.33μF, IR×C≥5 000s	(20℃, 10Vdc, 1min)
	UR>100Vdc	CR≤0.33μF, IR≥30 000 MΩ CR>0.33μF, IR×C≥10 000s	(20℃, 100Vdc, 1min)
损耗角正切 Dissipation Factor	≤0.0080 (1kHz, 20℃)		
说明：电容器的工作电压随温度上升而下降，在 85~105℃之间，以 85℃为基准，环境温度每上升 1℃，电容器的额定工作电压应降低 1.25%。 Note: The working voltage of the capacitor decreases as the temperature rises. between 85~105℃,take 85℃ as the base, the temperature rises 1℃,the rated working voltage of the capacitor decreases 1.25%.			

### ◆ 产品代码编写说明：Part number code system:

16 位产品代码如下：The 16 digits part number is formed as follow:

1	2	3	4	5	6	7	8	9	10	11	12	13	14	15	16
C	L	2	0												

第 1~4 位	薄膜电容器系列代码 CL20=CL20	Digit 1~4	Series code of film capacitor code CL20=CL20
第 5~7 位	标称容量代码 举例：103=10×10 <sup>3</sup> pF=0.01 μF	Digit 5~7	Rated capacitance value code For example: 103=10×10 <sup>3</sup> pF=0.01 μF
第 8 位	容量等级代码 J=±5% K=±10% M=±20%	Digit 8	Capacitance tolerance code J=±5% K=±10% M=±20%
第 9~10 位	直流额定电压代码 1J=63V 2A=100V 2E=250V 2G=400V 2J=630V 3A=1000V	Digit 9~10	DC rated voltage code 1J=63V 2A=100V 2E=250V 2G=400V 2J=630V 3A=1000V
第 11 位	轴向 0=轴向圆形 1=轴向椭圆形	Digit 11	Axial 0=Axial circular 1=Axial oval
第 12 位	内部特征码	Digit 12	Internal use
第 13~16 位	标准引线长度代码 B000=40mm	Digit 13~16	Lead length code B000=40mm



# CL20

## CL20 series

### ◆ 产品尺寸: Special Product Dimension:

63Vdc					100Vdc					250Vdc				
C ( $\mu$ F)	D max	L max	d	产品代码 Part number	C ( $\mu$ F)	D max	L max	d	产品代码 Part number	C ( $\mu$ F)	D max	L max	d	产品代码 Part number
0.10	4.7	12.5	0.6	CL20104-1J00B000	0.047	5.0	12.5	0.6	CL20473-2A00B000	0.039	5.3	12.5	0.6	CL20393-2E00B000
0.15	5.0	12.5	0.6	CL20154-1J00B000	0.056	5.1	12.5	0.6	CL20563-2A00B000	0.047	5.6	12.5	0.6	CL20473-2E00B000
0.22	5.3	12.5	0.6	CL20224-1J00B000	0.068	5.3	12.5	0.6	CL20683-2A00B000	0.056	5.7	12.5	0.6	CL20563-2E00B000
0.27	5.5	12.5	0.6	CL20274-1J00B000	0.082	5.5	12.5	0.6	CL20823-2A00B000	0.068	6.0	12.5	0.6	CL20683-2E00B000
0.33	5.7	12.5	0.6	CL20334-1J00B000	0.10	5.0	12.5	0.6	CL20104-2A00B000	0.082	6.2	12.5	0.6	CL20823-2E00B000
0.39	5.9	12.5	0.6	CL20394-1J00B000	0.12	5.1	12.5	0.6	CL20124-2A00B000	0.10	6.1	14.7	0.6	CL20104-2E00B000
0.47	5.8	14.7	0.6	CL20474-1J00B000	0.15	5.3	12.5	0.6	CL20154-2A00B000	0.12	6.4	14.7	0.6	CL20124-2E00B000
0.56	6.0	14.7	0.6	CL20564-1J00B000	0.18	5.5	12.5	0.6	CL20184-2A00B000	0.15	6.8	14.7	0.6	CL20154-2E00B000
0.68	6.4	14.7	0.6	CL20684-1J00B000	0.22	5.8	12.5	0.6	CL20224-2A00B000	0.18	7.1	14.7	0.6	CL20184-2E00B000
0.82	6.7	14.7	0.6	CL20824-1J00B000	0.27	6.1	12.5	0.6	CL20274-2A00B000	0.22	7.5	14.7	0.6	CL20224-2E00B000
1.0	7.1	14.7	0.8	CL20105-1J00B000	0.33	6.4	12.5	0.6	CL20334-2A00B000	0.27	8.1	14.7	0.6	CL20274-2E00B000
1.2	7.5	14.7	0.8	CL20125-1J00B000	0.39	6.7	12.5	0.6	CL20394-2A00B000	0.33	7.3	19.7	0.6	CL20334-2E00B000
1.5	6.9	19.7	0.8	CL20155-1J00B000	0.47	6.5	14.7	0.6	CL20474-2A00B000	0.39	7.7	19.7	0.6	CL20394-2E00B000
1.8	7.3	19.7	0.8	CL20185-1J00B000	0.56	6.8	14.7	0.6	CL20564-2A00B000	0.47	8.1	19.7	0.6	CL20474-2E00B000
2.0	7.5	19.7	0.8	CL20205-1J00B000	0.68	7.2	14.7	0.8	CL20684-2A00B000	0.56	8.6	19.7	0.6	CL20564-2E00B000
2.2	7.7	19.7	0.8	CL20225-1J00B000	0.82	7.7	14.7	0.8	CL20824-2A00B000	0.68	9.3	19.7	0.6	CL20684-2E00B000
2.7	8.3	19.7	0.8	CL20275-1J00B000	1.0	7.8	19.7	0.8	CL20105-2A00B000	0.82	9.9	19.7	0.6	CL20824-2E00B000
3.3	8.9	19.7	0.8	CL20335-1J00B000	1.2	8.3	19.7	0.8	CL20125-2A00B000	1.0	9.7	28.7	0.8	CL20105-2E00B000
3.9	9.5	19.7	0.8	CL20395-1J00B000	1.5	7.9	19.7	0.8	CL20155-2A00B000	1.2	10.3	28.7	0.8	CL20125-2E00B000
4.7	9.2	28.7	0.8	CL20475-1J00B000	1.8	8.4	19.7	0.8	CL20185-2A00B000	1.5	11.1	28.7	0.8	CL20155-2E00B000
5.6	9.8	28.7	0.8	CL20565-1J00B000	2.0	8.8	19.7	0.8	CL20205-2A00B000	1.8	11.9	28.7	0.8	CL20185-2E00B000
6.8	10.5	28.7	0.8	CL20685-1J00B000	2.2	9.1	19.7	0.8	CL20225-2A00B000	2.2	12.2	33.7	0.8	CL20225-2E00B000
8.2	11.3	28.7	0.8	CL20825-1J00B000	2.7	9.8	19.7	0.8	CL20275-2A00B000	2.7	13.1	33.7	0.8	CL20275-2E00B000
6.8	10.2	33.7	0.8	CL20685-1J00B000	3.3	9.5	28.7	0.8	CL20335-2A00B000	3.3	14.1	33.7	0.8	CL20335-2E00B000
8.2	10.8	33.7	0.8	CL20825-1J00B000	3.9	10.1	28.7	0.8	CL20395-2A00B000	3.9	15.0	33.7	0.8	CL20395-2E00B000
10	11.5	33.7	0.8	CL20106-1J00B000	4.7	10.4	33.7	0.8	CL20475-2A00B000	4.7	16.2	33.7	0.8	CL20475-2E00B000
					5.6	11.0	33.7	0.8	CL20565-2A00B000	5.6	17.4	33.7	1	CL20565-2E00B000
					6.8	11.8	33.7	0.8	CL20685-2A00B000	6.8	18.9	33.7	1	CL20685-2E00B000
					8.2	12.6	33.7	0.8	CL20825-2A00B000	8.2	20.5	33.7	1	CL20825-2E00B000
					10	13.6	33.7	0.8	CL20106-2A00B000	10	22.3	33.7	1	CL20106-2E00B000

备注:

“-”: 容量偏差

“-”= tolerance code, J=±5%, K=±10%, M=±20%

◆ 产品尺寸: Special Product Dimension:

400Vdc					630Vdc					1000Vdc				
C ( $\mu$ F)	D max	L max	d	产品代码 Part number	C ( $\mu$ F)	D max	L max	d	产品代码 Part number	C ( $\mu$ F)	D max	L max	d	产品代码 Part number
0.010	5.1	12.5	0.6	CL20103-2G00B000	0.0010	5.0	12.5	0.6	CL20102-2J00B000	0.0010	5.2	12.5	0.6	CL20102-3A00B000
0.022	5.7	12.5	0.6	CL20223-2G00B000	0.0012	5.1	12.5	0.6	CL20122-2J00B000	0.0012	5.3	12.5	0.6	CL20122-3A00B000
0.027	5.9	12.5	0.6	CL20273-2G00B000	0.0015	5.1	12.5	0.6	CL20152-2J00B000	0.0015	5.3	12.5	0.6	CL20152-3A00B000
0.033	6.1	12.5	0.6	CL20333-2G00B000	0.0018	5.2	12.5	0.6	CL20182-2J00B000	0.0018	5.4	12.5	0.6	CL20182-3A00B000
0.039	5.9	14.7	0.6	CL20393-2G00B000	0.0022	5.2	12.5	0.6	CL20222-2J00B000	0.0022	5.5	12.5	0.6	CL20222-3A00B000
0.047	6.2	14.7	0.6	CL20473-2G00B000	0.0027	5.3	12.5	0.6	CL20272-2J00B000	0.0027	5.5	12.5	0.6	CL20272-3A00B000
0.056	6.4	14.7	0.6	CL20563-2G00B000	0.0033	5.4	12.5	0.6	CL20332-2J00B000	0.0033	5.7	12.5	0.6	CL20332-3A00B000
0.068	6.7	14.7	0.6	CL20683-2G00B000	0.0039	5.5	12.5	0.6	CL20392-2J00B000	0.0039	5.8	12.5	0.6	CL20392-3A00B000
0.082	7.1	14.7	0.6	CL20823-2G00B000	0.0047	5.7	12.5	0.6	CL20472-2J00B000	0.0047	5.7	14.7	0.6	CL20472-3A00B000
0.10	7.5	14.7	0.6	CL20104-2G00B000	0.0056	5.8	12.5	0.6	CL20562-2J00B000	0.0056	5.8	14.7	0.6	CL20562-3A00B000
0.12	7.9	14.7	0.6	CL20124-2G00B000	0.0068	6.0	12.5	0.6	CL20682-2J00B000	0.0068	5.9	14.7	0.6	CL20682-3A00B000
0.15	7.1	19.7	0.6	CL20154-2G00B000	0.0082	6.2	12.5	0.6	CL20822-2J00B000	0.0082	6.9	14.7	0.6	CL20822-3A00B000
0.18	7.5	19.7	0.6	CL20184-2G00B000	0.010	5.9	14.7	0.6	CL20103-2J00B000	0.010	6.6	19.7	0.6	CL20103-3A00B000
0.22	8.0	19.7	0.6	CL20224-2G00B000	0.012	6.1	14.7	0.6	CL20123-2J00B000	0.012	6.8	19.7	0.6	CL20123-3A00B000
0.27	8.5	19.7	0.6	CL20274-2G00B000	0.015	6.4	14.7	0.6	CL20153-2J00B000	0.015	6.9	19.7	0.6	CL20153-3A00B000
0.33	9.1	19.7	0.6	CL20334-2G00B000	0.018	6.7	14.7	0.8	CL20183-2J00B000	0.018	7.1	19.7	0.6	CL20183-3A00B000
0.39	9.7	19.7	0.6	CL20394-2G00B000	0.022	7.0	14.7	0.8	CL20223-2J00B000	0.022	7.3	19.7	0.6	CL20223-3A00B000
0.47	9.2	28.7	0.6	CL20474-2G00B000	0.027	7.4	14.7	0.8	CL20273-2J00B000	0.027	7.5	19.7	0.6	CL20273-3A00B000
0.56	9.8	28.7	0.6	CL20564-2G00B000	0.033	6.6	19.7	0.8	CL20333-2J00B000	0.033	7.2	28.7	0.6	CL20333-3A00B000
0.68	10.4	28.7	0.6	CL20684-2G00B000	0.039	6.8	19.7	0.8	CL20393-2J00B000	0.039	7.4	28.7	0.6	CL20393-3A00B000
0.82	11.1	28.7	0.6	CL20824-2G00B000	0.047	7.2	19.7	0.8	CL20473-2J00B000	0.047	7.6	28.7	0.8	CL20473-3A00B000
1.0	10.9	33.7	0.8	CL20105-2G00B000	0.056	7.5	19.7	0.8	CL20563-2J00B000	0.056	7.9	28.7	0.8	CL20563-3A00B000
1.2	11.7	33.7	0.8	CL20125-2G00B000	0.068	7.9	19.7	0.8	CL20683-2J00B000	0.068	8.2	28.7	0.8	CL20683-3A00B000
1.5	12.7	33.7	0.8	CL20155-2G00B000	0.082	8.4	19.7	0.8	CL20823-2J00B000	0.082	8.6	28.7	0.8	CL20823-3A00B000
1.8	13.6	33.7	0.8	CL20185-2G00B000	0.10	8.2	28.7	0.8	CL20104-2J00B000	0.10	9.1	28.7	0.8	CL20104-3A00B000
2.2	14.8	33.7	0.8	CL20225-2G00B000	0.12	8.6	28.7	0.8	CL20124-2J00B000	0.12	9.5	28.7	0.8	CL20124-3A00B000
2.7	16.1	33.7	1	CL20275-2G00B000	0.15	9.2	28.7	0.8	CL20154-2J00B000	0.15	10.3	33.7	0.8	CL20154-3A00B000
3.3	17.5	33.7	1	CL20335-2G00B000	0.18	9.7	28.7	0.8	CL20184-2J00B000	0.18	10.9	33.7	0.8	CL20184-3A00B000
					0.22	10.3	28.7	0.8	CL20224-2J00B000	0.22	11.5	33.7	0.8	CL20224-3A00B000
					0.27	11.0	28.7	0.8	CL20274-2J00B000	0.27	12.3	33.7	0.8	CL20274-3A00B000

备注:

“-”: 容量偏差

“-”= tolerance code, J=±5%, K=±10%, M=±20%



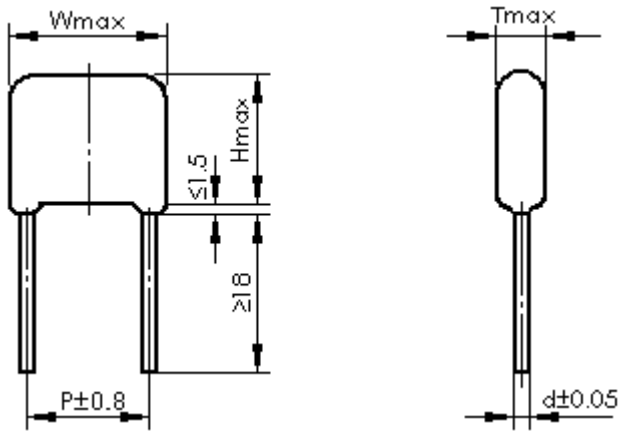
CL21

CL21 series

# CL21 型金属化聚酯膜电容器（浸渍型）

## Metallized Polyester Film Capacitor (Dipped)

### ◆ 外形尺寸图及产品结构 Outline Drawing and Capacitor Construction



### ◆ 特点及用途 Application and Feature

金属化聚酯膜，无感卷绕结构，体积小，自愈性好，适用于直流、脉动、开关电路，电子镇流器和变频器等直流滤波。

Metallized polyester film, non-inductive wound construction, small size and excellent self-healing property. Suitable for the direct current, impulse, as intermediate circuit capacitors for SMPS、Electronic Ballast、inverter.

### ◆ 技术要求 Specifications

参照标准 Reference Standard	GB 7332、IEC 60384-2	
气候类别 Climatic Category	55/125/21	
工作温度范围 Operation Temperature Range	-55℃~125℃	
额定温度 Rated Temperature	85℃	
额定电压 Rated Voltage	50Vdc、63Vdc、100Vdc、160Vdc、250Vdc、400Vdc /450Vdc、630Vdc	
电容量范围 Capacitance Range	0.001μF~10.0μF	
电容量偏差 Capacitance Tolerance	±5%(J)、±10%(K)、±20%(M) (20℃, 1kHz)	
耐电压 Voltage Proof	U=1.6U <sub>R</sub> (20℃, 5s)	
绝缘电阻 Insulation Resistance	U <sub>R</sub> ≤100Vdc	C <sub>R</sub> ≤0.33μF, IR≥15 000MΩ (20℃, 10Vdc, 1min) C <sub>R</sub> >0.33μF, IR×C≥5 000s
	U <sub>R</sub> >100Vdc	C <sub>R</sub> ≤0.33μF, IR≥30 000 MΩ (20℃, 100Vdc, 1min) C <sub>R</sub> >0.33μF, IR×C≥10 000s
损耗角正切 Dissipation Factor	≤0.0080 (1kHz, 20℃)	

说明：电容器的工作电压随温度上升而下降，在 85~125℃之间，以 85℃为基准，环境温度每上升 1℃，电容器的额定工作电压应降低 1.25%。

Note: The working voltage of the capacitor decreases as the temperature rises. between 85~125℃,take 85℃ as the base, the temperature rises 1℃,the rated working voltage of the capacitor decreases 1.25%.

### ◆ 最大电压脉冲斜率：Max dv/dt (V/μs)

额定电压 (V)	dv/dt(V/μs)				
	P=5.0mm	P=7.5mm	P=10.0mm	P=15.0mm	P=22.5mm
50/63/100	20	18	11	7	5
160	28	23	14	10	6
250	45	30	20	12	8
400/450	80	50	38	20	15
630	100	70	50	32	24



◆ 产品尺寸: Special Product Dimension:

50Vdc/63 <sup>▲</sup> Vdc (40Vac)															
C (μF)	W	H	T	P	d	产品代码 Part number	MOQ	C (μF)	W	H	T	P	d	产品代码 Part number	MOQ
0.1	7.2	8.0	4.0	5.0	0.5	CL21104-1H20****	1000	0.39	12.5	8.0	4.0	10.0	0.6	CL21394-1H40****	500
0.12	7.2	8.0	4.0	5.0	0.5	CL21124-1H20****	1000	0.47	12.5	8.5	4.5	10.0	0.6	CL21474-1H40****	500
0.15	7.2	8.0	4.0	5.0	0.5	CL21154-1H20****	1000	0.56	12.5	8.0	4.0	10.0	0.6	CL21564-1H40****	500
0.18	7.2	8.0	4.0	5.0	0.5	CL21184-1H20****	1000	0.68	12.5	8.0	4.0	10.0	0.6	CL21684-1H40****	500
0.22	7.2	8.0	4.0	5.0	0.5	CL21224-1H20****	1000	0.82	12.5	8.5	4.5	10.0	0.6	CL21824-1H40****	500
0.27	7.2	8.0	4.0	5.0	0.5	CL21274-1H20****	1000	1	12.5	9.0	5.0	10.0	0.6	CL21105-1H40****	500
0.33	7.2	8.5	4.0	5.0	0.5	CL21334-1H20****	1000	1.2	12.5	9.5	5.5	10.0	0.6	CL21125-1H40****	500
0.39	7.2	8.5	4.5	5.0	0.5	CL21394-1H20****	1000	1.5	12.5	10.0	6.0	10.0	0.6	CL21155-1H40****	500
0.47	7.2	9.5	5.0	5.0	0.5	CL21474-1H20****	1000	1.8	12.5	10.5	6.5	10.0	0.6	CL21185-1H40****	500
0.56	7.2	10.0	5.5	5.0	0.5	CL21564-1H20****	1000	2.2	12.5	12.0	7.0	10.0	0.6	CL21225-1H40****	500
0.68	7.2	10.5	6.0	5.0	0.5	CL21684-1H20****	1000	1	17.5	10.0	4.5	15.0	0.6	CL21105-1H60****	500
0.1	10.2	7.5	4.0	7.5	0.6	CL21104-1H30****	1000	1.2	17.5	10.5	5.0	15.0	0.6	CL21125-1H60****	500
0.12	10.2	8.0	4.0	7.5	0.6	CL21124-1H30****	1000	1.5	17.5	10.0	4.5	15.0	0.6	CL21155-1H60****	500
0.15	10.2	8.0	4.0	7.5	0.6	CL21154-1H30****	1000	1.8	17.5	10.5	5.0	15.0	0.6	CL21185-1H60****	500
0.18	10.2	8.0	4.0	7.5	0.6	CL21184-1H30****	1000	2.2	17.5	11.0	5.5	15.0	0.6	CL21225-1H60****	500
0.22	10.2	8.0	4.0	7.5	0.6	CL21224-1H30****	1000	2.7	17.5	11.5	6.0	15.0	0.6	CL21275-1H60****	500
0.27	10.2	8.0	4.0	7.5	0.6	CL21274-1H30****	1000	3.3	17.5	13.0	6.0	15.0	0.8	CL21335-1H60****	500
0.33	10.2	8.0	4.0	7.5	0.6	CL21334-1H30****	1000	3.9	17.5	13.5	6.5	15.0	0.8	CL21395-1H60****	500
0.39	10.2	8.0	4.0	7.5	0.6	CL21394-1H30****	1000	4.7	17.5	14.5	7.0	15.0	0.8	CL21475-1H60****	500
0.47	10.2	8.0	4.0	7.5	0.6	CL21474-1H30****	1000	5.6	17.5	15.0	8.0	15.0	0.8	CL21565-1H60****	500
0.56	10.2	8.5	4.5	7.5	0.6	CL21564-1H30****	1000	6.8	17.5	16.0	8.5	15.0	0.8	CL21685-1H60****	500
0.68	10.2	9.0	5.0	7.5	0.6	CL21684-1H30****	1000	8.2	17.5	17.0	9.5	15.0	0.8	CL21825-1H60****	500
0.82	10.2	9.0	5.0	7.5	0.6	CL21824-1H30****	1000	3.3	25.5	12.0	5.0	22.5	0.8	CL21335-1H90****	500
1	10.2	10.0	5.5	7.5	0.6	CL21105-1H30****	1000	3.9	25.5	12.5	5.0	22.5	0.8	CL21395-1H90****	500
1.2	10.2	11.5	6	7.5	0.6	CL21125-1H30****	1000	4.7	25.5	13.0	6.0	22.5	0.8	CL21475-1H90****	500
1.5	10.2	12.0	7.0	7.5	0.6	CL21155-1H30****	1000	5.6	25.5	13.5	6.5	22.5	0.8	CL21565-1H90****	500
0.22	12.5	8.0	3.5	10.0	0.6	CL21224-1H40****	500	6.8	25.5	14.5	7.0	22.5	0.8	CL21685-1H90****	500
0.27	12.5	8.0	4.0	10.0	0.6	CL21274-1H40****	500	8.2	25.5	15.0	7.5	22.5	0.8	CL21825-1H90****	500
0.33	12.5	8.0	4.0	10.0	0.6	CL21334-1H40****	500	10	25.5	16.0	8.5	22.5	0.8	CL21106-1H90****	500

备注:

“-”: 客户要求的容量偏差

“\*\*\*\*”: 引线加工和包装代码 (见 15 页表 4)

“▲”: 当额定电压为 63V 时, 第 9~10 位为 1J

MOQ: 最小订单量

“-”=custom's capacitor tolerance code, J=±5%, K=±10%, M=±20%

“\*\*\*\*”= Lead form and packing code (refer to table 4 in page 15)

“▲”when the rated voltage is 63Vdc, the digit 9~10 is 1J

MOQ = Minimum order quantity





◆ 产品尺寸: Special Product Dimension:

100Vdc (63Vac)																
C (μF)	W	H	T	P	d	产品代码 Part number	MOQ	C (μF)	W	H	T	P	d	产品代码 Part number	MOQ	
0.1	7.2	8.0	4.0	5.0	0.5	CL21104-2A20****	1000	0.56	12.5	9.0	4.5	10.0	0.6	CL21564-2A40****	500	
0.12	7.2	7.5	4.0	5.0	0.5	CL21124-2A20****	1000	0.68	12.5	9.0	5.0	10.0	0.6	CL21684-2A40****	500	
0.15	7.2	8.0	4.0	5.0	0.5	CL21154-2A20****	1000	0.82	12.5	10.0	5.5	10.0	0.6	CL21824-2A40****	500	
0.18	7.2	8.0	4.0	5.0	0.5	CL21184-2A20****	1000	1	12.5	10.5	6.0	10.0	0.6	CL21105-2A40****	500	
0.22	7.2	8.5	4.5	5.0	0.5	CL21224-2A20****	1000	1.2	12.5	12.0	6.0	10.0	0.6	CL21125-2A40****	500	
0.27	7.2	9.5	5.0	5.0	0.5	CL21274-2A20****	1000	1.5	12.5	13.0	7.0	10.0	0.6	CL21155-2A40****	500	
0.33	7.2	10.0	5.5	5.0	0.5	CL21334-2A20****	1000	1	17.5	10.0	4.5	15.0	0.6	CL21105-2A60****	500	
0.1	10.2	7.5	4.0	7.5	0.6	CL21104-2A30****	1000	1.2	17.5	10.5	5.0	15.0	0.6	CL21125-2A60****	500	
0.12	10.2	8.0	4.0	7.5	0.6	CL21124-2A30****	1000	1.5	17.5	11.0	5.5	15.0	0.6	CL21155-2A60****	500	
0.15	10.2	8.0	4.0	7.5	0.6	CL21154-2A30****	1000	1.8	17.5	11.5	6.0	15.0	0.6	CL21185-2A60****	500	
0.18	10.2	8.0	4.0	7.5	0.6	CL21184-2A30****	1000	2.2	17.5	12.5	6.5	15.0	0.8	CL21225-2A60****	500	
0.22	10.2	8.0	4.0	7.5	0.6	CL21224-2A30****	1000	2.7	17.5	14.0	6.5	15.0	0.8	CL21275-2A60****	500	
0.27	10.2	8.0	4.0	7.5	0.6	CL21274-2A30****	1000	3.3	17.5	15.0	7.5	15.0	0.8	CL21335-2A60****	500	
0.33	10.2	8.5	4.0	7.5	0.6	CL21334-2A30****	1000	3.9	17.5	15.5	8.0	15.0	0.8	CL21395-2A60****	500	
0.39	10.2	8.5	4.5	7.5	0.6	CL21394-2A30****	1000	4.7	17.5	16.5	9.0	15.0	0.8	CL21475-2A60****	500	
0.47	10.2	9.0	5.0	7.5	0.6	CL21474-2A30****	1000	5.6	17.5	18.5	10.0	15.0	0.8	CL21565-2A60****	500	
0.56	10.2	9.5	5.5	7.5	0.6	CL21564-2A30****	1000	2.2	25.5	12.0	5.0	22.5	0.8	CL21225-2A90****	500	
0.68	10.2	11.0	6.0	7.5	0.6	CL21684-2A30****	1000	2.7	25.5	13.0	5.5	22.5	0.8	CL21275-2A90****	500	
0.82	10.2	11.5	6.5	7.5	0.6	CL21824-2A30****	1000	3.3	25.5	13.5	6.0	22.5	0.8	CL21335-2A90****	500	
1	10.2	12.0	7.0	7.5	0.6	CL21105-2A30****	1000	3.9	25.5	15.0	6.0	22.5	0.8	CL21395-2A90****	500	
0.22	12.5	8.0	4.0	10.0	0.6	CL21224-2A40****	500	4.7	25.5	15.5	7.0	22.5	0.8	CL21475-2A90****	500	
0.27	12.5	8.0	4.0	10.0	0.6	CL21274-2A40****	500	5.6	25.5	16.5	7.5	22.5	0.8	CL21565-2A90****	500	
0.33	12.5	8.0	4.0	10.0	0.6	CL21334-2A40****	500	6.8	25.5	17.0	8.5	22.5	0.8	CL21685-2A90****	500	
0.39	12.5	8.0	4.0	10.0	0.6	CL21394-2A40****	500	8.2	25.5	18.0	9.0	22.5	0.8	CL21825-2A90****	500	
0.47	12.5	8.5	4.5	10.0	0.6	CL21474-2A40****	500	10	25.5	19.0	10.5	22.5	0.8	CL21106-2A90****	200	

备注:

“-”: 客户要求的容量偏差

“\*\*\*\*”: 引线加工和包装代码 (见 15 页表 4)

MOQ: 最小订量

“-”=custom's capacitor tolerance code, J=±5%, K=±10%, M=±20%

“\*\*\*\*”= Lead form and packing code (refer to table 4 in page 15)

MOQ = Minimum order quantity

◆ 产品尺寸: Special Product Dimension:

160Vdc (90Vac)															
C (μF)	W	H	T	P	d	产品代码 Part number	MOQ	C (μF)	W	H	T	P	d	产品代码 Part number	MOQ
0.033	7.2	7.5	4.0	5.0	0.5	CL21333-2C20****	1000	0.39	12.5	9.0	5.0	10.0	0.6	CL21394-2C40****	500
0.039	7.2	7.5	4.0	5.0	0.5	CL21393-2C20****	1000	0.47	12.5	9.0	5.0	10.0	0.6	CL21474-2C40****	500
0.047	7.2	7.5	4.0	5.0	0.5	CL21473-2C20****	1000	0.56	12.5	10.0	5.5	10.0	0.6	CL21564-2C40****	500
0.056	7.2	7.5	4.0	5.0	0.5	CL21563-2C20****	1000	0.68	12.5	10.5	6.0	10.0	0.6	CL21684-2C40****	500
0.068	7.2	7.5	4.0	5.0	0.5	CL21683-2C20****	1000	0.82	12.5	11.5	6.0	10.0	0.6	CL21824-2C40****	500
0.082	7.2	7.5	4.0	5.0	0.5	CL21823-2C20****	1000	1	12.5	13.0	7.0	10.0	0.6	CL21105-2C40****	500
0.1	7.2	8.0	4.0	5.0	0.5	CL21104-2C20****	1000	0.68	17.5	10.0	4.5	15.0	0.6	CL21684-2C60****	500
0.12	7.2	8.0	4.0	5.0	0.5	CL21124-2C20****	1000	0.82	17.5	10.5	5.0	15.0	0.6	CL21824-2C60****	500
0.15	7.2	8.5	4.5	5.0	0.5	CL21154-2C20****	1000	1	17.5	11.0	5.5	15.0	0.6	CL21105-2C60****	500
0.18	7.2	9.5	5.0	5.0	0.5	CL21184-2C20****	1000	1.2	17.5	11.5	6.0	15.0	0.6	CL21125-2C60****	500
0.22	7.2	10.0	5.5	5.0	0.5	CL21224-2C20****	1000	1.5	17.5	12.5	6.5	15.0	0.8	CL21155-2C60****	500
0.1	10.2	7.5	4.0	7.5	0.6	CL21104-2C30****	1000	1.8	17.5	14.0	6.5	15.0	0.8	CL21185-2C60****	500
0.12	10.2	8.0	4.0	7.5	0.6	CL21124-2C30****	1000	2.2	17.5	14.5	7.5	15.0	0.8	CL21225-2C60****	500
0.15	10.2	8.0	4.0	7.5	0.6	CL21154-2C30****	1000	2.7	17.5	15.5	8.5	15.0	0.8	CL21275-2C60****	500
0.18	10.2	8.0	4.0	7.5	0.6	CL21184-2C30****	1000	3.3	17.5	16.5	9.0	15.0	0.8	CL21335-2C60****	500
0.22	10.2	8.5	4.0	7.5	0.6	CL21224-2C30****	1000	2.2	25.5	13.0	6.0	22.5	0.8	CL21225-2C90****	500
0.27	10.2	8.5	4.5	7.5	0.6	CL21274-2C30****	1000	2.7	25.5	14.0	6.5	22.5	0.8	CL21275-2C90****	500
0.33	10.2	9.0	5.0	7.5	0.6	CL21334-2C30****	1000	3.3	25.5	14.5	7.5	22.5	0.8	CL21335-2C90****	500
0.39	10.2	9.5	5.5	7.5	0.6	CL21394-2C30****	1000	3.9	25.5	16.5	7.5	22.5	0.8	CL21395-2C90****	500
0.47	10.2	11.0	6.0	7.5	0.6	CL21474-2C30****	1000	4.7	25.5	17.0	8.5	22.5	0.8	CL21475-2C90****	500
0.15	12.5	8.0	4.0	10.0	0.6	CL21154-2C40****	500	5.6	25.5	18.0	9.0	22.5	0.8	CL21565-2C90****	500
0.18	12.5	8.0	4.0	10.0	0.6	CL21184-2C40****	500	6.8	25.5	19.0	10.0	22.5	0.8	CL21685-2C90****	500
0.22	12.5	8.0	4.0	10.0	0.6	CL21224-2C40****	500	8.2	25.5	20.0	11.5	22.5	0.8	CL21825-2C90****	200
0.27	12.5	8.0	4.0	10.0	0.6	CL21274-2C40****	500	10	25.5	21.5	12.5	22.5	0.8	CL21106-2C90****	200
0.33	12.5	8.5	4.5	10.0	0.6	CL21334-2C40****	500								

备注:

“-”: 客户要求的容量偏差

“\*\*\*\*”: 引线加工和包装代码 (见 15 页表 4)

MOQ: 最小订单量

“-”=custom's capacitor tolerance code, J=±5%, K=±10%, M=±20%

“\*\*\*\*”= Lead form and packing code (refer to table 4 in page 15)

MOQ = Minimum order quantity



CL21  
CL21 series

◆ 产品尺寸: Special Product Dimension:

250Vdc (160Vac)															
C (μF)	W	H	T	P	d	产品代码 Part number	MOQ	C (μF)	W	H	T	P	d	产品代码 Part number	MOQ
0.022	7.2	8.0	4.0	5.0	0.5	CL21223-2E20****	1000	0.18	12.5	9.5	4.5	10.0	0.6	CL21184-2E40****	500
0.027	7.2	8.0	4.0	5.0	0.5	CL21273-2E20****	1000	0.22	12.5	10.5	5.0	10.0	0.6	CL21224-2E40****	500
0.033	7.2	8.0	4.0	5.0	0.5	CL21333-2E20****	1000	0.27	12.5	11.0	5.5	10.0	0.6	CL21274-2E40****	500
0.039	7.2	8.0	4.0	5.0	0.5	CL21393-2E20****	1000	0.33	12.5	11.5	6.0	10.0	0.6	CL21334-2E40****	500
0.047	7.2	8.0	4.0	5.0	0.5	CL21473-2E20****	1000	0.39	12.5	12.0	6.5	10.0	0.6	CL21394-2E40****	500
0.056	7.2	8.5	4.5	5.0	0.5	CL21563-2E20****	1000	0.43	12.5	12.5	6.5	10.0	0.6	CL21434-2E40****	500
0.068	7.2	8.5	4.5	5.0	0.5	CL21683-2E20****	1000	0.47	12.5	12.5	7.0	10.0	0.6	CL21474-2E40****	500
0.082	7.2	9.5	5.5	5.0	0.5	CL21823-2E20****	1000	0.56	12.5	13.5	7.5	10.0	0.6	CL21564-2E40****	500
0.1	7.2	10.0	6.0	5.0	0.5	CL21104-2E20****	1000	0.68	12.5	15.0	8.0	10.0	0.6	CL21684-2E40****	500
0.022	10.2	7.5	3.5	7.5	0.6	CL21223-2E30***	1000	0.33	17.5	10.5	4.5	15.0	0.6	CL21334-2E60****	500
0.033	10.2	7.5	4.0	7.5	0.6	CL21333-2E30****	1000	0.39	17.5	11.0	5.0	15.0	0.6	CL21394-2E60****	500
0.039	10.2	8.0	4.0	7.5	0.6	CL21393-2E30****	1000	0.47	17.5	11.5	5.5	15.0	0.6	CL21474-2E60****	500
0.047	10.2	8.0	4.0	7.5	0.6	CL21473-2E30****	1000	0.56	17.5	12.0	6.0	15.0	0.8	CL21564-2E60****	500
0.056	10.2	8.0	4.0	7.5	0.6	CL21563-2E30****	1000	0.68	17.5	13.5	6.0	15.0	0.8	CL21684-2E60****	500
0.068	10.2	8.0	4.0	7.5	0.6	CL21683-2E30****	1000	0.82	17.5	14.0	7.0	15.0	0.8	CL21824-2E60****	500
0.082	10.2	8.0	4.0	7.5	0.6	CL21823-2E30****	1000	1	17.5	15.0	7.5	15.0	0.8	CL21105-2E60****	500
0.1	10.2	8.5	4.0	7.5	0.6	CL21104-2E30****	1000	1.2	17.5	15.5	8.5	15.0	0.8	CL21125-2E60****	500
0.12	10.2	8.5	4.5	7.5	0.6	CL21124-2E30****	1000	1.5	17.5	16.5	9.5	15.0	0.8	CL21155-2E60****	500
0.15	10.2	9.0	5.0	7.5	0.6	CL21154-2E30****	1000	0.68	25.5	12.0	5.0	22.5	0.8	CL21684-2E90****	500
0.18	10.2	9.5	5.5	7.5	0.6	CL21184-2E30****	1000	0.82	25.5	12.5	5.5	22.5	0.8	CL21824-2E90****	500
0.22	10.2	11.5	6.0	7.5	0.6	CL21224-2E30****	1000	1	25.5	13.5	6.0	22.5	0.8	CL21105-2E90****	500
0.27	10.2	12.5	6.5	7.5	0.6	CL21274-2E30****	1000	1.2	25.5	14.0	6.5	22.5	0.8	CL21125-2E90****	500
0.29	10.2	12.5	6.5	7.5	0.6	CL21294-2E30****	1000	1.5	25.5	14.5	7.5	22.5	0.8	CL21155-2E90****	500
0.33	10.2	13.0	7.0	7.5	0.6	CL21334-2E30****	1000	1.8	25.5	16.5	7.5	22.5	0.8	CL21185-2E90****	500
0.082	12.5	7.5	3.5	10.0	0.6	CL21823-2E40***	500	2.2	25.5	17.5	8.5	22.5	0.8	CL21225-2E90***	500
0.1	12.5	8.0	4.0	10.0	0.6	CL21104-2E40****	500	2.7	25.5	18.5	9.5	22.5	0.8	CL21275-2E90****	500
0.082	12.5	7.5	3.5	10.0	0.6	CL21823-2E30***	500	3.3	25.5	19.5	10.5	22.5	0.8	CL21335-2E90****	200
0.12	12.5	8.0	4.0	10.0	0.6	CL21124-2E40****	500	3.9	25.5	20.5	12.0	22.5	0.8	CL21395-2E90****	200
0.15	12.5	8.5	4.5	10.0	0.6	CL21154-2E40****	500	4.7	25.5	22.0	13.0	22.5	0.8	CL21475-2E90****	200
								5.6	25.5	23.5	14.5	22.5	0.8	CL21565-2E90****	200

备注:

“-”: 客户要求的容量偏差

“\*\*\*\*”: 引线加工和包装代码 (见 15 页表 4)

MOQ: 最小订量

“-”=custom's capacitor tolerance code, J=±5%, K=±10%, M=±20%

“\*\*\*\*”= Lead form and packing code (refer to table 4 in page 15)

MOQ = Minimum order quantity

◆ 产品尺寸: Special Product Dimension:

400Vdc/450Vdc <sup>▲</sup> (200Vac)																
C (μF)	W	H	T	P	d	产品代码 Part number	MOQ	C (μF)	W	H	T	P	d	产品代码 Part number	MOQ	
0.01	7.2	7.5	4.0	5.0	0.5	CL21103-2G20****	1000	0.12	12.5	10.5	5.0	10.0	0.6	CL21124-2G40****	500	
0.012	7.2	8.0	4.0	5.0	0.5	CL21123-2G20****	1000	0.15	12.5	11.5	5.5	10.0	0.6	CL21154-2G40****	500	
0.015	7.2	8.0	4.0	5.0	0.5	CL21153-2G20****	1000	0.18	12.5	12.0	6.0	10.0	0.6	CL21184-2G40****	500	
0.018	7.2	8.0	4.0	5.0	0.5	CL21183-2G20****	1000	0.22	12.5	13.0	7.0	10.0	0.6	CL21224-2G40****	500	
0.022	7.2	8.5	4.5	5.0	0.5	CL21223-2G20****	1000	0.27	12.5	15.0	7.5	10.0	0.6	CL21274-2G40****	500	
0.027	7.2	9.0	5.0	5.0	0.5	CL21273-2G20****	1000	0.33	12.5	15.5	8.0	10.0	0.6	CL21334-2G40****	500	
0.033	7.2	10.0	5.5	5.0	0.5	CL21333-2G20****	1000	0.1	17.5	9.0	4.0	15.0	0.6	CL21104-2G60****	500	
0.039	7.2	10.5	6.0	5.0	0.5	CL21393-2G20****	1000	0.12	17.5	9.0	4.5	15.0	0.6	CL21124-2G60****	500	
0.047	7.2	11.5	6.0	5.0	0.5	CL21473-2G20****	1000	0.15	17.5	10.0	4.5	15.0	0.6	CL21154-2G60****	500	
0.01	10.2	7.5	3.5	7.5	0.6	CL21103-2G30****	1000	0.18	17.5	10.5	5.0	15.0	0.6	CL21184-2G60****	500	
0.015	10.2	7.5	3.5	7.5	0.6	CL21153-2G30****	1000	0.22	17.5	11.0	5.5	15.0	0.6	CL21224-2G60****	500	
0.018	10.2	8.0	4.0	7.5	0.6	CL21183-2G30****	1000	0.27	17.5	11.5	6.0	15.0	0.6	CL21274-2G60****	500	
0.022	10.2	7.5	3.5	7.5	0.6	CL21223-2G30****	1000	0.33	17.5	12.0	6.5	15.0	0.8	CL21334-2G60****	500	
0.027	10.2	8.0	4.0	7.5	0.6	CL21273-2G30****	1000	0.39	17.5	14.0	6.5	15.0	0.8	CL21394-2G60****	500	
0.033	10.2	8.0	4.0	7.5	0.6	CL21333-2G30****	1000	0.47	17.5	14.5	7.0	15.0	0.8	CL21474-2G60****	500	
0.039	10.2	8.0	4.0	7.5	0.6	CL21393-2G30****	1000	0.56	17.5	15.0	8.0	15.0	0.8	CL21564-2G60****	500	
0.047	10.2	8.5	4.5	7.5	0.6	CL21473-2G30****	1000	0.68	17.5	16.0	9.0	15.0	0.8	CL21684-2G60****	500	
0.056	10.2	9.0	4.5	7.5	0.6	CL21563-2G30****	1000	0.82	17.5	18.0	9.0	15.0	0.8	CL21824-2G60****	500	
0.068	10.2	9.0	5.0	7.5	0.6	CL21683-2G30****	1000	1	17.5	19.5	10.0	15.0	0.8	CL21105-2G60****	500	
0.082	10.2	9.5	5.5	7.5	0.6	CL21823-2G30****	1000	0.33	25.5	12.0	5.0	22.5	0.8	CL21334-2G90****	500	
0.1	10.2	11.5	6.0	7.5	0.6	CL21104-2G30****	1000	0.39	25.5	12.5	5.0	22.5	0.8	CL21394-2G90****	500	
0.12	10.2	12.0	6.5	7.5	0.6	CL21124-2G30****	1000	0.47	25.5	13.0	5.5	22.5	0.8	CL21474-2G90****	500	
0.15	10.2	13.0	7.0	7.5	0.6	CL21154-2G30****	1000	0.56	25.5	13.5	6.0	22.5	0.8	CL21564-2G90****	500	
0.022	12.5	8.0	4.0	10.0	0.6	CL21223-2G40****	500	0.68	25.5	14.0	7.0	22.5	0.8	CL21684-2G90****	500	
0.027	12.5	8.0	4.0	10.0	0.6	CL21273-2G40****	500	0.82	25.5	15.0	7.5	22.5	0.8	CL21824-2G90****	500	
0.033	12.5	8.0	4.0	10.0	0.6	CL21333-2G40****	500	1	25.5	16.5	8.0	22.5	0.8	CL21105-2G90****	500	
0.039	12.5	8.0	4.0	10.0	0.6	CL21393-2G40****	500	1.2	25.5	17.5	8.5	22.5	0.8	CL21125-2G90****	500	
0.047	12.5	8.0	4.0	10.0	0.6	CL21473-2G40****	500	1.5	25.5	18.5	9.5	22.5	0.8	CL21155-2G90****	500	
0.056	12.5	8.0	4.0	10.0	0.6	CL21563-2G40****	500	1.8	25.5	19.5	10.5	22.5	0.8	CL21185-2G90****	200	
0.068	12.5	8.5	4.5	10.0	0.6	CL21683-2G40****	500	2.2	25.5	21.0	12.5	22.5	0.8	CL21225-2G90****	200	
0.082	12.5	9.0	5.0	10.0	0.6	CL21823-2G40****	500	2.7	25.5	22.5	14.0	22.5	0.8	CL21275-2G90****	200	
0.1	12.5	10.0	5.0	10.0	0.6	CL21104-2G40****	500	3.3	25.5	24.0	15.5	22.5	0.8	CL21335-2G90****	200	

备注:

“-”: 客户要求的容量偏差

“\*\*\*\*”: 引线加工和包装代码 (见 15 页表 4)

“▲”: 当额定电压为 450Vdc 时, 第 9~10 位为 2S

MOQ: 最小订单量

“-”=custom's capacitor tolerance code, J=±5%, K=±10%, M=±20%

“\*\*\*\*”= Lead form and packing code (refer to table 4 in page 15)

“▲”=when the rated voltage is 450Vdc, the digit 9~10 is 2S

MOQ = Minimum order quantity



# CL21

## CL21 series

### ◆ 产品尺寸: Special Product Dimension:

630Vdc (220Vac)															
C ( $\mu$ F)	W	H	T	P	d	产品代码 Part number	MOQ	C ( $\mu$ F)	W	H	T	P	d	产品代码 Part number	MOQ
0.0022	7.2	8.0	4.0	5.0	0.5	CL21222-2J20****	1000	0.027	12.5	8.5	4.5	10.0	0.6	CL21273-2J40****	500
0.0027	7.2	8.0	4.0	5.0	0.5	CL21272-2J20****	1000	0.033	12.5	8.5	4.5	10.0	0.6	CL21333-2J40****	500
0.0033	7.2	8.0	4.0	5.0	0.5	CL21332-2J20****	1000	0.039	12.5	9.0	5.0	10.0	0.6	CL21393-2J40****	500
0.0039	7.2	8.5	4.0	5.0	0.5	CL21392-2J20****	1000	0.047	12.5	10.0	5.0	10.0	0.6	CL21473-2J40****	500
0.0047	7.2	8.0	4.0	5.0	0.5	CL21472-2J20****	1000	0.056	12.5	10.5	5.5	10.0	0.6	CL21563-2J40****	500
0.0056	7.2	8.0	4.0	5.0	0.5	CL21562-2J20****	1000	0.068	12.5	11.5	6.0	10.0	0.6	CL21683-2J40****	500
0.0068	7.2	8.0	4.0	5.0	0.5	CL21682-2J20****	1000	0.082	12.5	12.0	6.5	10.0	0.6	CL21823-2J40****	500
0.0082	7.2	8.0	4.0	5.0	0.5	CL21822-2J20****	1000	0.1	12.5	13.5	7.5	10.0	0.6	CL21104-2J40****	500
0.01	7.2	8.5	4.5	5.0	0.5	CL21103-2J20****	1000	0.047	17.5	10.0	4.5	15.0	0.6	CL21473-2J60****	500
0.012	7.2	9.5	5.0	5.0	0.5	CL21123-2J20****	1000	0.056	17.5	10.0	4.5	15.0	0.6	CL21563-2J60****	500
0.0010	10.2	8.0	4.0	7.5	0.6	CL21102-2J30****	1000	0.068	17.5	10.5	4.5	15.0	0.6	CL21683-2J60****	500
0.0012	10.2	8.5	4.0	7.5	0.6	CL21122-2J30****	1000	0.082	17.5	11.0	5.0	15.0	0.6	CL21823-2J60****	500
0.0015	10.2	8.0	4.0	7.5	0.6	CL21152-2J30****	1000	0.1	17.5	11.5	6.5	15.0	0.8	CL21104-2J60****	500
0.0018	10.2	8.5	4.0	7.5	0.6	CL21182-2J30****	1000	0.12	17.5	12.0	6.0	15.0	0.8	CL21124-2J60****	500
0.0022	10.2	8.0	4.0	7.5	0.6	CL21222-2J30****	1000	0.15	17.5	12.5	6.5	15.0	0.8	CL21154-2J60****	500
0.0027	10.2	8.0	4.0	7.5	0.6	CL21272-2J30****	1000	0.18	17.5	14.0	7.0	15.0	0.8	CL21184-2J60****	500
0.0033	10.2	8.0	4.0	7.5	0.6	CL21332-2J30****	1000	0.22	17.5	15.0	7.5	15.0	0.8	CL21224-2J60****	500
0.0039	10.2	8.0	4.0	7.5	0.6	CL21392-2J30****	1000	0.27	17.5	15.5	8.5	15.0	0.8	CL21274-2J60****	500
0.0047	10.2	8.0	4.0	7.5	0.6	CL21472-2J30****	1000	0.33	17.5	16.5	9.5	15.0	0.8	CL21334-2J60****	500
0.0056	10.2	8.0	4.0	7.5	0.6	CL21562-2J30****	1000	0.15	25.5	12.0	5.0	22.5	0.8	CL21154-2J90****	500
0.0068	10.2	8.0	4.0	7.5	0.6	CL21682-2J30****	1000	0.18	25.5	12.5	5.5	22.5	0.8	CL21184-2J90****	500
0.0082	10.2	8.0	4.0	7.5	0.6	CL21822-2J30****	1000	0.22	25.5	13.0	6.0	22.5	0.8	CL21224-2J90****	500
0.01	10.2	8.0	4.0	7.5	0.6	CL21103-2J30****	1000	0.27	25.5	13.5	6.5	22.5	0.8	CL21274-2J90****	500
0.012	10.2	8.0	4.0	7.5	0.6	CL21123-2J30****	1000	0.33	25.5	14.5	7.0	22.5	0.8	CL21334-2J90****	500
0.015	10.2	8.0	4.0	7.5	0.6	CL21153-2J30****	1000	0.39	25.5	16.0	7.0	22.5	0.8	CL21394-2J90****	500
0.018	10.2	8.5	4.0	7.5	0.6	CL21183-2J30****	1000	0.47	25.5	17.0	8.0	22.5	0.8	CL21474-2J90****	500
0.022	10.2	8.5	4.5	7.5	0.6	CL21223-2J30****	1000	0.56	25.5	17.5	9.0	22.5	0.8	CL21564-2J90****	500
0.027	10.2	9.0	5.0	7.5	0.6	CL21273-2J30****	1000	0.68	25.5	18.5	10.0	22.5	0.8	CL21684-2J90****	500
0.033	10.2	9.5	5.5	7.5	0.6	CL21333-2J30****	1000	0.82	25.5	19.5	11.0	22.5	0.8	CL21824-2J90****	200
0.015	12.5	8.0	4.0	10.0	0.6	CL21153-2J40****	500	1	25.5	21.0	12.0	22.5	0.8	CL21105-2J90****	200
0.018	12.5	8.0	4.0	10.0	0.6	CL21183-2J40****	500	1.2	25.5	22.5	13.5	22.5	0.8	CL21125-2J90****	200
0.022	12.5	8.0	4.0	10.0	0.6	CL21223-2J40****	500	1.5	25.5	24.0	15.5	22.5	0.8	CL21155-2J90****	200

备注:

“-”: 客户要求的容量偏差

“\*\*\*\*”: 引线加工和包装代码 (见 15 页表 4)

MOQ: 最小订单量

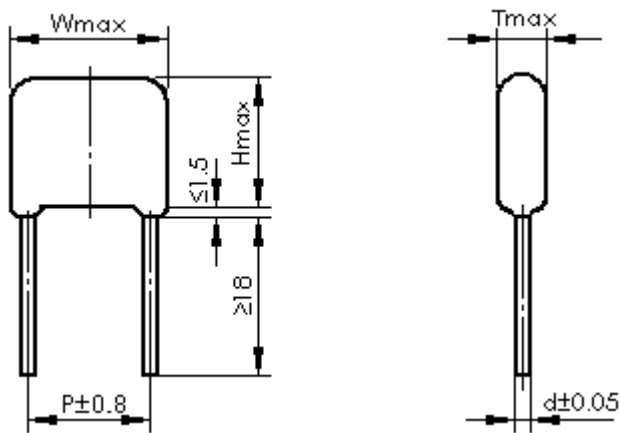
“-”=custom's capacitor tolerance code, J=±5%, K=±10%, M=±20%

“\*\*\*\*”= Lead form and packing code (refer to table 4 in page 15)

MOQ = Minimum order quantity

## CL21X 型小型化金属化聚酯膜电容器 Miniaturized Metallized Polyester Film Capacitor (Dipped)

### ◆ 外形尺寸图及产品结构 Outline Drawing and Capacitor Construction



### ◆ 特点及用途 Application and Feature

金属化聚酯膜，无感卷绕结构，体积小，自愈性好，适用于 LED 电源驱动、直流、脉动、开关电路，电子镇流器和变频器等直流滤波。

Metallized polyester film, non-inductive wound construction, small size and excellent self-healing property. Suitable for LED, the direct current, impulse, As intermediate circuit capacitors for SMPS、Electronic Ballast、inverter.

### ◆ 技术要求 Specifications

参照标准 Reference Standard	GB 7332、IEC 60384-2
气候类别 Climatic Category	55/105/21
工作温度范围 Operation Temperature Range	-55℃~105℃
额定温度 Rated Temperature	85℃
额定电压 Rated Voltage	250Vdc、400Vdc /450Vdc、520Vdc、630Vdc
电容量范围 Capacitance Range	0.01μF~10.0μF
电容量偏差 Capacitance Tolerance	±5%(J)、±10%(K)、±20%(M) (20℃, 1kHz)
耐电压 Voltage Proof	U=1.6U <sub>R</sub> (20℃, 5s)
绝缘电阻 Insulation Resistance	C <sub>R</sub> ≤0.33μF, IR≥15 000MΩ C <sub>R</sub> >0.33μF, IR×C≥5 000s (20℃, 100V, 1min)
损耗角正切 Dissipation Factor	≤0.0080 (1kHz, 20℃)

说明：电容器的工作电压随温度上升而下降，在 85~105℃之间，以 85℃为基准，环境温度每上升 1℃，电容器的额定工作电压应降低 1.25%。

Note: The working voltage of the capacitor decreases as the temperature rises. between 85~105℃,take 85℃ as the base, the temperature rises 1℃,the rated working voltage of the capacitor decreases 1.25%.

### ◆ 最大电压脉冲斜率：Max dv/dt (V/μs)

额定电压 (V)	dv/dt(V/μs)			
	P=7.5mm	P=10.0mm	P=15.0mm	P=22.5mm
250	80	60	50	30
400/450	150	120	100	50
520	200	180	150	80
630	350	300	200	100
250 (Miniature)	60	42	40	/
400/450 (Miniature)	120	98	80	/
520 (Miniature)	190	160	135	/
630 (Miniature)	320	270	180	/



# CL21X

## CL21X series

### ◆ 产品尺寸: Product Dimension:

250Vdc								400Vdc/450Vdc <sup>▲</sup>							
C (μF)	W	H	T	P	d	产品代码 Part number	MOQ	C (μF)	W	H	T	P	d	产品代码 Part number	MOQ
0.068	9.8	7.5	3.5	7.5	0.5	CL22683-2E30***	1000	0.01	9.8	7.1	3.1	7.5	0.5	CL22103-2G30***	1000
0.082	9.8	7.8	3.8	7.5	0.5	CL22823-2E30***	1000	0.022	9.8	7.6	3.6	7.5	0.5	CL22223-2G30***	1000
0.1	9.8	7.8	3.8	7.5	0.5	CL22104-2E30****	1000	0.033	9.8	7.7	3.7	7.5	0.5	CL22333-2G30****	1000
0.12	9.8	7.6	3.6	7.5	0.5	CL22124-2E30****	1000	0.047	9.8	7.6	3.5	7.5	0.5	CL22473-2G30****	1000
0.15	9.8	8.5	3.7	7.5	0.5	CL22154-2E30****	1000	0.056	9.8	7.4	3.4	7.5	0.5	CL22563-2G30****	1000
0.22	9.8	9.2	4.4	7.5	0.5	CL22224-2E30****	1000	0.068	9.8	7.7	3.7	7.5	0.5	CL22683-2G30****	1000
0.27	9.8	9.7	4.9	7.5	0.5	CL22274-2E30****	1000	0.082	9.8	8.1	4.0	7.5	0.5	CL22823-2G30****	1000
0.33	9.8	10.2	5.4	7.5	0.5	CL22334-2E30****	1000	0.1	9.8	9.0	4.1	7.5	0.5	CL22104-2G30****	1000
0.39	9.8	11.3	6.1	7.5	0.5	CL22394-2E30****	1000	0.15	9.8	10.4	5.2	7.5	0.5	CL22154-2G30****	1000
0.22	12.3	8.1	4.0	10.0	0.6	CL22224-2E40***	500	0.22	9.8	12.0	6.0	7.5	0.5	CL22224-2G30****	1000
0.33	12.3	8.9	4.9	10.0	0.6	CL22334-2E40****	500	0.1	12.3	7.9	3.8	10.0	0.6	CL22104-2G40****	500
0.39	12.3	10.3	4.7	10.0	0.6	CL22394-2E40****	500	0.12	12.3	8.2	4.1	10.0	0.6	CL22124-2G40****	500
0.47	12.3	10.8	5.2	10.0	0.6	CL22474-2E40****	500	0.15	12.3	9.1	4.3	10.0	0.6	CL22154-2G40****	500
0.56	12.3	11.3	5.7	10.0	0.6	CL22564-2E40****	500	0.22	12.3	10.5	4.9	10.0	0.6	CL22224-2G40****	500
0.68	12.3	11.9	6.3	10.0	0.6	CL22684-2E40****	500	0.27	12.3	11.1	5.5	10.0	0.6	CL22274-2G40****	500
0.82	12.3	12.6	7.0	10.0	0.6	CL22824-2E40****	500	0.33	12.3	12.7	5.5	10.0	0.6	CL22334-2G40****	500
1	12.3	14.9	7.4	10.0	0.6	CL22105-2E40****	500	0.39	12.3	13.2	6.1	10.0	0.6	CL22394-2G40****	500
0.47	17.5	10.0	4.3	15.0	0.6	CL22474-2E60****	500	0.22	17.5	9.2	4.3	15.0	0.6	CL22224-2G60****	500
0.56	17.5	10.3	4.6	15.0	0.6	CL22564-2E60****	500	0.27	17.5	9.6	4.7	15.0	0.6	CL22274-2G60****	500
0.68	17.5	10.8	5.0	15.0	0.6	CL22684-2E60****	500	0.33	17.5	10.6	4.9	15.0	0.6	CL22334-2G60****	500
0.82	17.5	11.2	5.5	15.0	0.6	CL22824-2E60****	500	0.39	17.5	11.0	5.3	15.0	0.6	CL22394-2G60****	500
1	17.5	11.8	6.1	15.0	0.8	CL22105-2E60****	500	0.47	17.5	12.6	5.3	15.0	0.8	CL22474-2G60****	500
1.2	17.5	13.4	6.2	15.0	0.8	CL22125-2E60****	500	0.56	17.5	13.1	5.8	15.0	0.8	CL22564-2G60****	500
1.5	17.5	14.2	6.9	15.0	0.8	CL22155-2E60****	500	0.68	17.5	14.8	5.9	15.0	0.8	CL22684-2G60****	500
1.8	17.5	15.0	7.7	15.0	0.8	CL22185-2E60****	500	0.82	17.5	14.4	7.1	15.0	0.8	CL22824-2G60****	500
2.2	17.5	16.8	8.0	15.0	0.8	CL22225-2E60****	500	1	17.5	16.4	7.9	15.0	0.8	CL22105-2G60****	500
3.3	17.5	20.4	10.0	15.0	0.8	CL22335-2E60****	500	1.2	17.5	16.0	8.7	15.0	0.8	CL22125-2G60****	500
1	25.5	10.7	5.0	22.5	0.8	CL22105-2E90****	500	1.5	17.5	18.6	9.7	15.0	0.8	CL22155-2G60****	500
1.2	25.5	12.3	5.0	22.5	0.8	CL22125-2E90****	500	1.8	17.5	19.6	10.8	15.0	0.8	CL22185-2G60****	500
1.5	25.5	12.8	5.5	22.5	0.8	CL22155-2E90****	500	0.47	25.5	10.4	4.7	22.5	0.8	CL22474-2G90****	500
1.8	25.5	13.4	6.1	22.5	0.8	CL22185-2E90****	500	0.56	25.5	10.9	5.1	22.5	0.8	CL22564-2G90****	500
2.2	25.5	14.1	6.8	22.5	0.8	CL22225-2E90****	500	0.68	25.5	12.4	5.2	22.5	0.8	CL22684-2G90****	500
3.3	25.5	16.8	7.9	22.5	0.8	CL22335-2E90****	500	0.82	25.5	13.0	5.7	22.5	0.8	CL22824-2G90****	500
4.7	25.5	19.5	9.1	22.5	0.8	CL22475-2E90****	500	1	25.5	13.6	6.3	22.5	0.8	CL22105-2G90****	500
5.6	25.5	20.5	10.1	22.5	0.8	CL22565-2E90****	200	1.2	25.5	14.2	7.0	22.5	0.8	CL22125-2G90****	500
6.8	25.5	21.8	11.3	22.5	0.8	CL22685-2E90****	200	1.5	25.5	16.1	7.3	22.5	0.8	CL22155-2G90****	500
8.2	25.5	23.1	12.7	22.5	0.8	CL22825-2E90****	200	1.8	25.5	16.9	8.1	22.5	0.8	CL22185-2G90****	500
10	25.5	24.6	14.2	22.5	0.8	CL22106-2E90****	200	2.2	25.5	18.9	8.5	22.5	0.8	CL22225-2G90****	500
								3.3	25.5	21.2	10.8	22.5	0.8	CL22335-2G90****	200

备注:

“-”: 客户要求的容量偏差

“\*\*\*\*”: 引线加工和包装代码 (见 15 页表 4)

“▲”: 当额定电压为 450Vdc 时, 第 9~10 位为 2S

MOQ: 最小订单量

“-”=custom's capacitor tolerance code, J=±5%, K=±10%, M=±20%

“\*\*\*\*”= Lead form and packing code (refer to table 4 in page 15)

“▲”=when the rated voltage is 450Vdc, the digit 9~10 is 2S

MOQ = Minimum order quantity

◆ 产品尺寸: Product Dimension:

520Vdc								630Vdc							
C (μF)	W	H	T	P	d	产品代码 Part number	MOQ	C (μF)	W	H	T	P	d	产品代码 Part number	MOQ
0.022	9.8	7.5	3.4	7.5	0.5	CL22223-2T30****	1000	0.01	9.8	7.5	3.7	7.5	0.5	CL22103-2J30****	1000
0.027	9.8	7.8	3.7	7.5	0.5	CL22273-2T30****	1000	0.012	9.8	7.8	3.9	7.5	0.5	CL22123-2J30****	1000
0.033	9.8	8.6	3.8	7.5	0.5	CL22333-2T30****	1000	0.015	9.8	7.4	3.5	7.5	0.5	CL22153-2J30****	1000
0.039	9.8	8.9	4.1	7.5	0.5	CL22393-2T30****	1000	0.018	9.8	7.6	3.8	7.5	0.5	CL22183-2J30****	1000
0.047	9.8	9.3	4.5	7.5	0.5	CL22473-2T30****	1000	0.022	9.8	7.9	4.1	7.5	0.5	CL22223-2J30****	1000
0.056	9.8	9.7	4.9	7.5	0.5	CL22563-2T30****	1000	0.027	9.8	8.3	4.4	7.5	0.5	CL22273-2J30****	1000
0.068	9.8	11.3	5.3	7.5	0.5	CL22683-2T30****	1000	0.033	9.8	9.2	4.6	7.5	0.5	CL22333-2J30****	1000
0.082	9.8	11.8	5.8	7.5	0.5	CL22823-2T30****	1000	0.047	9.8	10.6	5.4	7.5	0.5	CL22473-2J30****	1000
0.047	12.3	8.6	3.8	10.0	0.6	CL22473-2T40****	500	0.056	9.8	11.0	5.8	7.5	0.5	CL22563-2J30****	1000
0.056	12.3	8.9	4.1	10.0	0.6	CL22563-2T40****	500	0.068	9.8	11.6	6.4	7.5	0.5	CL22683-2J30****	1000
0.068	12.3	9.3	4.5	10.0	0.6	CL22683-2T40****	500	0.047	12.3	9.7	4.3	10.0	0.6	CL22473-2J40****	500
0.082	12.3	9.7	4.9	10.0	0.6	CL22823-2T40****	500	0.056	12.3	10.1	4.7	10.0	0.6	CL22563-2J40****	500
0.1	12.3	10.7	5.1	10.0	0.6	CL22104-2T40****	500	0.068	12.3	10.5	5.1	10.0	0.6	CL22683-2J40****	500
0.12	12.3	11.2	5.6	10.0	0.6	CL22124-2T40****	500	0.082	12.3	11.0	5.6	10.0	0.6	CL22823-2J40****	500
0.15	12.3	11.9	6.3	10.0	0.6	CL22154-2T40****	500	0.1	12.3	11.6	6.1	10.0	0.6	CL22104-2J40****	500
0.18	12.3	13.2	7.2	10.0	0.6	CL22184-2T40****	500	0.12	12.3	13.8	6.2	10.0	0.6	CL22124-2J40****	500
0.1	17.5	9.3	4.3	15.0	0.6	CL22104-2T60****	500	0.1	17.5	10.4	4.7	15.0	0.6	CL22104-2J60****	500
0.12	17.5	9.6	4.7	15.0	0.6	CL22124-2T60****	500	0.12	17.5	10.8	5.1	15.0	0.6	CL22124-2J60****	500
0.15	17.5	10.1	5.2	15.0	0.6	CL22154-2T60****	500	0.15	17.5	12.5	5.2	15.0	0.6	CL22154-2J60****	500
0.18	17.5	11.1	5.4	15.0	0.6	CL22184-2T60****	500	0.18	17.5	12.9	5.7	15.0	0.6	CL22184-2J60****	500
0.22	17.5	11.6	5.9	15.0	0.8	CL22224-2T60****	500	0.22	17.5	13.6	6.3	15.0	0.8	CL22224-2J60****	500
0.33	17.5	14.0	6.7	15.0	0.8	CL22334-2T60****	500	0.27	17.5	14.3	7.0	15.0	0.8	CL22274-2J60****	500
0.39	17.5	14.6	7.3	15.0	0.8	CL22394-2T60****	500	0.33	17.5	15.1	7.8	15.0	0.8	CL22334-2J60****	500
0.47	17.5	15.4	8.1	15.0	0.8	CL22474-2T60****	500	0.39	17.5	15.8	8.5	15.0	0.8	CL22394-2J60****	500
0.56	17.5	16.2	8.9	15.0	0.8	CL22564-2T60****	500	0.47	17.5	16.7	9.4	15.0	0.8	CL22474-2J60****	500
0.68	17.5	18.6	9.8	15.0	0.8	CL22684-2T60****	500	0.56	17.5	19.1	10.2	15.0	0.8	CL22564-2J60****	500
0.82	17.5	19.6	10.8	15.0	0.8	CL22824-2T60****	500	0.22	25.5	12.3	5.0	22.5	0.8	CL22224-2J90****	500
0.33	25.5	12.4	5.2	22.5	0.8	CL22334-2T90****	500	0.27	25.5	12.7	5.4	22.5	0.8	CL22274-2J90****	500
0.39	25.5	12.9	5.6	22.5	0.8	CL22394-2T90****	500	0.33	25.5	13.3	6.0	22.5	0.8	CL22334-2J90****	500
0.47	25.5	13.5	6.2	22.5	0.8	CL22474-2T90****	500	0.39	25.5	13.8	6.5	22.5	0.8	CL22394-2J90****	500
0.56	25.5	14.1	6.8	22.5	0.8	CL22564-2T90****	500	0.47	25.5	14.5	7.2	22.5	0.8	CL22474-2J90****	500
0.68	25.5	15.8	7.0	22.5	0.8	CL22684-2T90****	500	0.56	25.5	15.2	7.9	22.5	0.8	CL22564-2J90****	500
0.82	25.5	16.6	7.8	22.5	0.8	CL22824-2T90****	500	0.68	25.5	17.0	8.2	22.5	0.8	CL22684-2J90****	500
1	25.5	18.6	8.1	22.5	0.8	CL22105-2T90****	500	0.82	25.5	17.9	9.1	22.5	0.8	CL22824-2J90****	500
1.2	25.5	19.5	9.0	22.5	0.8	CL22125-2T90****	500	1	25.5	20.0	9.6	22.5	0.8	CL22105-2J90****	500
1.5	25.5	20.7	10.3	22.5	0.8	CL22155-2T90****	200	1.2	25.5	21.1	10.7	22.5	0.8	CL22125-2J90****	200
1.8	25.5	21.9	11.5	22.5	0.8	CL22184-2T90****	200	1.5	25.5	22.5	12.1	22.5	0.8	CL22155-2J90****	200
2.2	25.5	23.3	12.9	22.5	0.8	CL22225-2T90****	200								

备注:

“-”: 客户要求的容量偏差

“\*\*\*\*”: 引线加工和包装代码 (见 15 页表 4)

MOQ: 最小订单量

“-”=custom's capacitor tolerance code, J=±5%, K=±10%, M=±20%

“\*\*\*\*”= Lead form and packing code (refer to table 4 in page 15)

MOQ = Minimum order quantity





# CL21X

## CL21X series

◆ 小型化: Miniature version:

250Vdc								400Vdc/450Vdc <sup>▲</sup>							
C (μF)	W	H	T	P	d	产品代码 Part number	MOQ	C (μF)	W	H	T	P	d	产品代码 Part number	MOQ
0.15	9.8	7.4	3.4	7.5	0.5	CL22154-2E3S****	1000	0.068	9.8	7.4	3.3	7.5	0.5	CL22683-2G3S****	500
0.18	9.8	7.7	3.7	7.5	0.5	CL22184-2E3S****	1000	0.082	9.8	7.6	3.6	7.5	0.5	CL22823-2G3S****	500
0.22	9.8	8.1	4.0	7.5	0.5	CL22224-2E3S****	1000	0.1	9.8	8.0	3.9	7.5	0.5	CL22104-2G3S****	500
0.27	9.8	8.5	4.4	7.5	0.5	CL22274-2E3S****	1000	0.15	9.8	8.8	4.7	7.5	0.5	CL22154-2G3S****	500
0.33	9.8	9.4	4.6	7.5	0.5	CL22334-2E3S****	1000	0.18	9.8	9.2	5.2	7.5	0.5	CL22184-2G3S****	500
0.39	9.8	9.8	5.0	7.5	0.5	CL22394-2E3S****	1000	0.22	9.8	9.7	5.7	7.5	0.5	CL22224-2G3S****	500
0.47	9.8	11.4	5.4	7.5	0.5	CL22474-2E3S****	1000	0.27	9.8	11.1	6.2	7.5	0.5	CL22274-2G3S****	500
0.56	9.8	11.9	5.9	7.5	0.5	CL22564-2E3S****	1000	0.33	9.8	11.7	6.8	7.5	0.5	CL22334-2G3S****	500
0.68	9.8	12.5	6.5	7.5	0.5	CL22684-2E3S****	1000	0.1	12.3	7.6	3.5	10.0	0.6	CL22104-2G4S****	500
0.22	12.3	7.6	3.6	10.0	0.6	CL22224-2E4S****	500	0.12	12.3	7.8	3.8	10.0	0.6	CL22124-2G4S****	500
0.27	12.3	7.9	3.8	10.0	0.6	CL22274-2E4S****	500	0.15	12.3	8.2	4.1	10.0	0.6	CL22154-2G4S****	500
0.33	12.3	8.3	4.2	10.0	0.6	CL22334-2E4S****	500	0.22	12.3	10.0	4.4	10.0	0.6	CL22224-2G4S****	500
0.39	12.3	9.1	4.3	10.0	0.6	CL22394-2E4S****	500	0.27	12.3	10.5	4.9	10.0	0.6	CL22274-2G4S****	500
0.47	12.3	9.5	4.7	10.0	0.6	CL22474-2E4S****	500	0.33	12.3	11.3	5.6	10.0	0.6	CL22334-2G4S****	500
0.56	12.3	9.9	5.1	10.0	0.6	CL22564-2E4S****	500	0.39	12.3	11.8	6.1	10.0	0.6	CL22394-2G4S****	500
0.68	12.3	11.3	5.4	10.0	0.6	CL22684-2E4S****	500	0.47	12.3	13.4	6.1	10.0	0.6	CL22474-2G4S****	500
0.82	12.3	11.8	5.9	10.0	0.6	CL22824-2E4S****	500	0.33	17.5	10.1	4.4	15.0	0.6	CL22334-2G6S****	500
1	12.3	13.8	6.5	10.0	0.6	CL22105-2E4S****	500	0.39	17.5	10.4	4.7	15.0	0.6	CL22394-2G6S****	500
0.68	17.5	10.0	4.3	15.0	0.6	CL22684-2E6S****	500	0.47	17.5	10.9	5.2	15.0	0.6	CL22474-2G6S****	500
0.82	17.5	10.4	4.7	15.0	0.6	CL22824-2E6S****	500	0.56	17.5	11.4	5.7	15.0	0.8	CL22564-2G6S****	500
1	17.5	11.2	5.5	15.0	0.8	CL22105-2E6S****	500	0.68	17.5	11.9	6.2	15.0	0.8	CL22684-2G6S****	500
1.2	17.5	11.7	6.0	15.0	0.8	CL22125-2E6S****	500	0.82	17.5	13.6	6.3	15.0	0.8	CL22824-2G6S****	500
1.5	17.5	12.4	6.7	15.0	0.8	CL22155-2E6S****	500	1	17.5	14.6	7.3	15.0	0.8	CL22105-2G6S****	500
1.8	17.5	14.2	7.0	15.0	0.8	CL22185-2E6S****	500	1.2	17.5	15.3	8.0	15.0	0.8	CL22125-2G6S****	500
2.2	17.5	15.2	7.7	15.0	0.8	CL22225-2E6S****	500	1.5	17.5	16.5	9.2	15.0	0.8	CL22155-2G6S****	500
3.3	17.5	17.3	9.7	15.0	0.8	CL22335-2E6S****	500	1.8	17.5	17.6	10.2	15.0	0.8	CL22185-2G6S****	500
								2.2	17.5	19.0	11.5	15.0	0.8	CL22225-2G6S****	500

备注:

“-”: 客户要求的容量偏差

“\*\*\*\*”: 引线加工和包装代码 (见 15 页表 4)

“▲”: 当额定电压为 450Vdc 时, 第 9~10 位为 2S

MOQ: 最小订单量

“-”=custom's capacitor tolerance code, J=±5%, K=±10%, M=±20%

“\*\*\*\*”= Lead form and packing code (refer to table 4 in page 15)

“▲”=when the rated voltage is 450Vdc, the digit 9~10 is 2S

MOQ = Minimum order quantity

◆ 小型化: Miniature version:

520Vdc								630Vdc							
C ( $\mu$ F)	W	H	T	P	d	产品代码 Part number	MOQ	C ( $\mu$ F)	W	H	T	P	d	产品代码 Part number	MOQ
0.027	9.8	7.4	3.3	7.5	0.5	CL22273-2T3S****	1000	0.022	9.8	7.6	3.5	7.5	0.5	CL22223-2J3S****	500
0.033	9.8	7.7	3.6	7.5	0.5	CL22333-2T3S****	1000	0.027	9.8	7.9	3.8	7.5	0.5	CL22273-2J3S****	500
0.039	9.8	7.9	3.9	7.5	0.5	CL22393-2T3S****	1000	0.033	9.8	8.2	4.2	7.5	0.5	CL22333-2J3S****	500
0.047	9.8	8.3	4.2	7.5	0.5	CL22473-2T3S****	1000	0.047	9.8	9.0	4.9	7.5	0.5	CL22473-2J3S****	500
0.056	9.8	8.6	4.6	7.5	0.5	CL22563-2T3S****	1000	0.056	9.8	9.4	5.3	7.5	0.5	CL22563-2J3S****	500
0.068	9.8	9.1	5.0	7.5	0.5	CL22683-2T3S****	1000	0.068	9.8	11.2	5.2	7.5	0.5	CL22683-2J3S****	500
0.082	9.8	9.5	5.5	7.5	0.5	CL22823-2T3S****	1000	0.082	9.8	11.7	6.0	7.5	0.5	CL22823-2J3S****	500
0.1	9.8	11.3	5.6	7.5	0.5	CL22104-2T3S****	1000	0.033	12.3	7.6	3.8	10.0	0.6	CL22333-2J4S****	500
0.047	12.3	7.6	3.6	10.0	0.6	CL22473-2T4S****	500	0.039	12.3	7.9	4.0	10.0	0.6	CL22393-2J4S****	500
0.056	12.3	7.9	3.9	10.0	0.6	CL22563-2T4S****	500	0.047	12.3	8.2	4.4	10.0	0.6	CL22473-2J4S****	500
0.068	12.3	8.3	4.2	10.0	0.6	CL22683-2T4S****	500	0.056	12.3	8.5	4.7	10.0	0.6	CL22563-2J4S****	500
0.082	12.3	9.2	4.3	10.0	0.6	CL22823-2T4S****	500	0.068	12.3	9.5	4.8	10.0	0.6	CL22683-2J4S****	500
0.1	12.3	9.6	4.8	10.0	0.6	CL22104-2T4S****	500	0.082	12.3	9.9	5.3	10.0	0.6	CL22823-2J4S****	500
0.12	12.3	10.5	4.9	10.0	0.6	CL22124-2T4S****	500	0.1	12.3	10.4	5.8	10.0	0.6	CL22104-2J4S****	500
0.15	12.3	11.1	5.5	10.0	0.6	CL22154-2T4S****	500	0.12	12.3	10.9	6.3	10.0	0.6	CL22124-2J4S****	500
0.18	12.3	12.3	6.3	10.0	0.6	CL22184-2T4S****	500	0.15	12.3	11.7	7.0	10.0	0.6	CL22154-2J4S****	500
0.22	12.3	13.6	6.4	10.0	0.6	CL22224-2T4S****	500	0.18	12.3	13.1	7.4	10.0	0.6	CL22184-2J4S****	500
0.15	17.5	10.1	4.4	15.0	0.6	CL22154-2T6S****	500	0.1	17.5	9.9	4.2	15.0	0.6	CL22104-2J6S****	500
0.18	17.5	10.5	4.7	15.0	0.6	CL22184-2T6S****	500	0.12	17.5	10.3	4.6	15.0	0.6	CL22124-2J6S****	500
0.22	17.5	10.9	5.2	15.0	0.8	CL22224-2T6S****	500	0.15	17.5	10.8	5.1	15.0	0.6	CL22154-2J6S****	500
0.33	17.5	12.1	6.4	15.0	0.8	CL22334-2T6S****	500	0.18	17.5	11.3	5.5	15.0	0.6	CL22184-2J6S****	500
0.39	17.5	13.7	6.4	15.0	0.8	CL22394-2T6S****	500	0.22	17.5	11.8	6.1	15.0	0.8	CL22224-2J6S****	500
0.47	17.5	14.3	7.0	15.0	0.8	CL22474-2T6S****	500	0.27	17.5	13.5	6.2	15.0	0.8	CL22274-2J6S****	500
0.56	17.5	15.0	7.7	15.0	0.8	CL22564-2T6S****	500	0.33	17.5	14.2	6.9	15.0	0.8	CL22334-2J6S****	500
0.68	17.5	15.5	8.2	15.0	0.8	CL22684-2T6S****	500	0.39	17.5	14.8	7.6	15.0	0.8	CL22394-2J6S****	500
0.82	17.5	16.4	9.1	15.0	0.8	CL22824-2T6S****	500	0.47	17.5	15.6	8.4	15.0	0.8	CL22474-2J6S****	500
1	17.5	18.2	10.6	15.0	0.8	CL22105-2T6S****	500	0.56	17.5	16.5	9.2	15.0	0.8	CL22564-2J6S****	500
								0.68	17.5	18.7	9.6	15.0	0.8	CL22684-2J6S****	500

备注:

“-”: 客户要求的容量偏差

“\*\*\*\*”: 引线加工和包装代码 (见 15 页表 4)

MOQ: 最小订单量

“-”=custom's capacitor tolerance code, J=±5%, K=±10%, M=±20%

“\*\*\*\*”= Lead form and packing code (refer to table 4 in page 15)

MOQ = Minimum order quantity

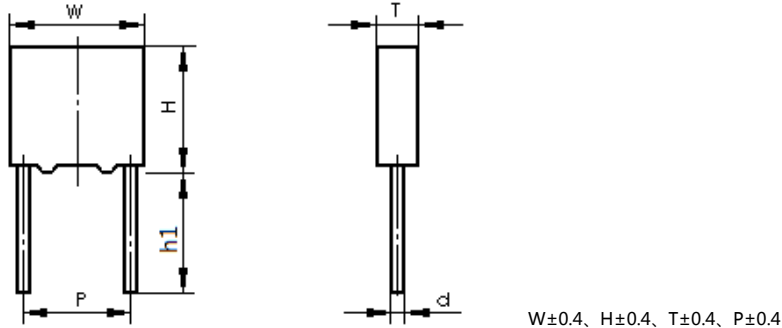


CL24  
CL24 series

## CL24 型盒式金属化聚酯膜电容器

### Metallized polyester film capacitor (Box-type)

#### ◆ 外形尺寸图及产品结构 Outline Drawing and Capacitor Construction



#### ◆ 特点及用途 Application and Feature

金属化聚酯膜，无感卷绕结构，塑料外壳封装，自愈性好，适用于直流、脉冲、逻辑、振荡电路及低压场合的抗干扰。

Metallized polyester film, non-inductive wound construction, plastic case, small size and excellent self-healing property. Suitable for the DC, coupling, pulse, logic, oscillator circuits and interference suppression in low voltage application.

#### ◆ 技术要求 Specifications

参照标准 Reference Standard	GB 7332、IEC 60384-2	
气候类别 Climatic Category	55/105/56	
工作温度范围 Operation Temperature Range	-55℃~105℃	
额定温度 Rated Temperature	85℃	
额定电压 Rated Voltage	63Vdc、100Vdc、250Vdc、400Vdc/450Vdc、630Vdc	
电容量范围 Capacitance Range	0.0047μF~45.0μF	
电容量偏差 Capacitance Tolerance	±5%(J)、±10%(K)、±20%(M) (20℃, 1kHz)	
耐电压 Voltage Proof	U=1.6U <sub>R</sub> (20℃, 5s)	
绝缘电阻 Insulation Resistance	U <sub>R</sub> ≤ 100Vdc	C <sub>R</sub> ≤ 0.33μF, IR ≥ 15 000MΩ C <sub>R</sub> > 0.33μF, IR × C ≥ 5 000s (20℃, 10Vdc, 1min)
	U <sub>R</sub> > 100Vdc	C <sub>R</sub> ≤ 0.33μF, IR ≥ 30 000 MΩ C <sub>R</sub> > 0.33μF, IR × C ≥ 10 000s (20℃, 100Vdc, 1min)
损耗角正切 Dissipation Factor	≤ 0.0080 (1kHz, 20℃)	

说明：电容器的工作电压随温度上升而下降，在 85~105℃ 之间，以 85℃ 为基准，环境温度每上升 1℃，电容器的额定工作电压应降低 1.25%。

Note: The working voltage of the capacitor decreases as the temperature rises. between 85~105℃, take 85℃ as the base, the temperature rises 1℃, the rated working voltage of the capacitor decreases 1.25%.



◆ 产品尺寸: Product Dimension:

63Vdc (40Vac)								100Vdc (63Vac)							
C (μF)	W	H	T	P	d	产品代码 Part number	MOQ	C (μF)	W	H	T	P	d	产品代码 Part number	MOQ
0.33	10.5	8.5	3.5	7.5	0.6	CL24334-1J30****	1000	0.10	10.5	8.5	3.5	7.5	0.6	CL24104-2A30****	1000
0.47	10.5	9.0	4.0	7.5	0.6	CL24474-1J30****	1000	0.15	10.5	8.5	3.5	7.5	0.6	CL24154-2A30****	1000
0.56	10.5	9.0	4.0	7.5	0.6	CL24564-1J30****	1000	0.22	10.5	8.5	3.5	7.5	0.6	CL24224-2A30****	1000
0.68	10.5	11.0	5.0	7.5	0.6	CL24684-1J30****	1000	0.33	10.5	9.0	4.0	7.5	0.6	CL24334-2A30****	1000
0.82	10.5	11.0	5.0	7.5	0.6	CL24824-1J30****	1000	0.47	10.5	9.0	4.0	7.5	0.6	CL24474-2A30****	1000
1.0	10.5	11.0	5.0	7.5	0.6	CL24105-1J30****	1000	0.56	10.5	11.0	5.0	7.5	0.6	CL24564-2A30****	1000
1.5	10.5	12.0	6.0	7.5	0.6	CL24155-1J30****	1000	0.68	10.5	11.0	5.0	7.5	0.6	CL24684-2A30****	1000
0.10	13.0	9.0	4.0	10.0	0.6	CL24104-1J40****	500	0.82	10.5	11.0	5.0	7.5	0.6	CL24824-2A30****	1000
0.15	13.0	9.0	4.0	10.0	0.6	CL24154-1J40****	500	1.0	10.5	12.0	6.0	7.5	0.6	CL24105-2A30****	1000
0.22	13.0	9.0	4.0	10.0	0.6	CL24224-1J40****	500	0.10	13.0	9.0	4.0	10.0	0.6	CL24104-2A40****	500
0.33	13.0	9.0	4.0	10.0	0.6	CL24334-1J40****	500	0.15	13.0	9.0	4.0	10.0	0.6	CL24154-2A40****	500
0.47	13.0	9.0	4.0	10.0	0.6	CL24474-1J40****	500	0.22	13.0	9.0	4.0	10.0	0.6	CL24224-2A40****	500
0.56	13.0	9.0	4.0	10.0	0.6	CL24564-1J40****	500	0.33	13.0	9.0	4.0	10.0	0.6	CL24334-2A40****	500
0.68	13.0	9.0	4.0	10.0	0.6	CL24684-1J40****	500	0.47	13.0	9.0	4.0	10.0	0.6	CL24474-2A40****	500
0.82	13.0	9.0	4.0	10.0	0.6	CL24824-1J40****	500	0.56	13.0	9.0	4.0	10.0	0.6	CL24564-2A40****	500
1.0	13.0	9.0	4.0	10.0	0.6	CL24105-1J40****	500	0.68	13.0	9.0	4.0	10.0	0.6	CL24684-2A40****	500
1.5	13.0	11.0	5.0	10.0	0.6	CL24155-1J40****	500	0.82	13.0	11.0	5.0	10.0	0.6	CL24824-2A40****	500
1.8	13.0	12.0	6.0	10.0	0.6	CL24185-1J40****	500	1.0	13.0	12.0	6.0	10.0	0.6	CL24105-2A40****	500
2.2	13.0	12.0	6.0	10.0	0.6	CL24225-1J40****	500	1.5	13.0	12.0	6.0	10.0	0.6	CL24155-2A40****	500
0.47	18.0	11.0	5.0	15.0	0.8	CL24474-1J60****	500	0.33	18.0	11.0	5.0	15.0	0.8	CL24334-2A60****	500
0.56	18.0	11.0	5.0	15.0	0.8	CL24564-1J60****	500	0.47	18.0	11.0	5.0	15.0	0.8	CL24474-2A60****	500
0.68	18.0	11.0	5.0	15.0	0.8	CL24684-1J60****	500	0.56	18.0	11.0	5.0	15.0	0.8	CL24564-2A60****	500
0.82	18.0	11.0	5.0	15.0	0.8	CL24824-1J60****	500	0.68	18.0	11.0	5.0	15.0	0.8	CL24684-2A60****	500
1.0	18.0	11.0	5.0	15.0	0.8	CL24105-1J60****	500	0.82	18.0	11.0	5.0	15.0	0.8	CL24824-2A60****	500
1.5	18.0	11.0	5.0	15.0	0.8	CL24155-1J60****	500	1.0	18.0	11.0	5.0	15.0	0.8	CL24105-2A60****	500
1.8	18.0	11.0	5.0	15.0	0.8	CL24185-1J60****	500	1.5	18.0	12.0	6.0	15.0	0.8	CL24155-2A60****	500
2.2	18.0	11.0	5.0	15.0	0.8	CL24225-1J60****	500	1.8	18.0	12.0	6.0	15.0	0.8	CL24185-2A60****	500
3.3	18.0	12.0	6.0	15.0	0.8	CL24335-1J60****	500	2.2	18.0	12.0	6.0	15.0	0.8	CL24225-2A60****	500
4.7	18.0	13.5	7.5	15.0	0.8	CL24475-1J60****	500	3.3	18.0	13.5	7.5	15.0	0.8	CL24335-2A60****	500
5.6	18.0	13.5	7.5	15.0	0.8	CL24565-1J60****	500	4.7	18.0	14.5	8.5	15.0	0.8	CL24475-2A60****	500
6.8	18.0	14.5	8.5	15.0	0.8	CL24685-1J60****	500	5.6	18.0	16.0	10.0	15.0	0.8	CL24565-2A60****	500
8.2	18.0	14.5	8.5	15.0	0.8	CL24825-1J60****	500	6.8	18.0	19.0	11.0	15.0	0.8	CL24685-2A60****	200
10.0	18.0	16.0	10.0	15.0	0.8	CL24106-1J60****	500	1.5	26.5	15.0	6.0	22.5	0.8	CL24155-2A90****	500
2.2	26.5	15.0	6.0	22.5	0.8	CL24225-1J90****	500	1.8	26.5	15.0	6.0	22.5	0.8	CL24185-2A90****	500
3.3	26.5	15.0	6.0	22.5	0.8	CL24335-1J90****	500	2.2	26.5	15.0	6.0	22.5	0.8	CL24225-2A90****	500
4.7	26.5	15.0	6.0	22.5	0.8	CL24475-1J90****	500	3.3	26.5	15.0	6.0	22.5	0.8	CL24335-2A90****	500
5.6	26.5	15.0	6.0	22.5	0.8	CL24565-1J90****	500	4.7	26.5	15.0	6.0	22.5	0.8	CL24475-2A90****	500
6.8	26.5	16.0	7.0	22.5	0.8	CL24685-1J90****	500	5.6	26.5	15.0	6.0	22.5	0.8	CL24565-2A90****	500
8.2	26.5	17.0	8.5	22.5	0.8	CL24825-1J90****	500	6.8	26.5	16.0	7.0	22.5	0.8	CL24685-2A90****	500
10.0	26.5	17.0	8.5	22.5	0.8	CL24106-1J90****	500	8.2	26.5	17.0	8.5	22.5	0.8	CL24825-2A90****	500
15.0	26.5	20.0	11.0	22.5	0.8	CL24156-1J90****	200	10.0	26.5	17.0	8.5	22.5	0.8	CL24106-2A90****	200
20.0	26.5	22.0	12.0	22.5	0.8	CL24206-1J90****	200	15.0	26.5	20.0	11.0	22.5	0.8	CL24156-2A90****	200
4.7	32.0	18.0	9.0	27.5	0.8	CL24475-1JB0****	500	20.0	26.5	22.0	12.0	22.5	0.8	CL24206-2A90****	200
5.6	32.0	18.0	9.0	27.5	0.8	CL24565-1JB0****	500	2.2	32.0	18.0	9.0	27.5	0.8	CL24225-2AB0****	500
6.8	32.0	18.0	9.0	27.5	0.8	CL24685-1JB0****	500	3.3	32.0	18.0	9.0	27.5	0.8	CL24335-2AB0****	500
8.2	32.0	18.0	9.0	27.5	0.8	CL24825-1JB0****	500	4.7	32.0	18.0	9.0	27.5	0.8	CL24475-2AB0****	500
10.0	32.0	18.0	9.0	27.5	0.8	CL24106-1JB0****	500	5.6	32.0	18.0	9.0	27.5	0.8	CL24565-2AB0****	500
15.0	32.0	18.0	9.0	27.5	0.8	CL24156-1JB0****	500	6.8	32.0	18.0	9.0	27.5	0.8	CL24685-2AB0****	500
20.0	32.0	20.0	11.0	27.5	0.8	CL24206-1JB0****	200	8.2	32.0	18.0	9.0	27.5	0.8	CL24825-2AB0****	500
25.0	32.0	22.0	13.0	27.5	0.8	CL24256-1JB0****	100	10.0	32.0	20.0	11.0	27.5	0.8	CL24106-2AB0****	200
30.0	32.0	22.0	13.0	27.5	0.8	CL24306-1JB0****	100	15.0	32.0	22.0	13.0	27.5	0.8	CL24156-2AB0****	100
35.0	32.0	25.0	14.0	27.5	0.8	CL24356-1JB0****	100	20.0	32.0	24.5	15.0	27.5	0.8	CL24206-2AB0****	100
40.0	32.0	24.5	15.0	27.5	0.8	CL24406-1JB0****	100	25.0	32.0	28.0	17.0	27.5	0.8	CL24256-2AB0****	50
45.0	32.0	28.0	17.0	27.5	0.8	CL24456-1JB0****	50								

备注:

“-”: 客户要求的容量偏差

“\*\*\*\*”: 表示引线加工和包装代码 (见 15 页表 4)

MOQ: 最小订单量

“-”=custom’s capacitor tolerance code, J=±5%, K=±10%, M=±20%

“\*\*\*\*”= Lead form and packing code (refer to table 4 in page 15)

MOQ = Minimum order quantity



CL24

CL24 series

◆ 产品尺寸: Product Dimension:

250Vdc (160Vac)								400Vdc/450Vdc <sup>▲</sup> (200Vac)							
C ( $\mu$ F)	W	H	T	P	d	产品代码 Part number	MOQ	C ( $\mu$ F)	W	H	T	P	d	产品代码 Part number	MOQ
0.047	10.5	8.5	3.5	7.5	0.6	CL24473-2E30****	1000	0.012	10.5	8.5	3.5	7.5	0.6	CL24123-2G30****	1000
0.056	10.5	8.5	3.5	7.5	0.6	CL24563-2E30****	1000	0.015	10.5	8.5	3.5	7.5	0.6	CL24153-2G30****	1000
0.068	10.5	8.5	3.5	7.5	0.6	CL24683-2E30****	1000	0.022	10.5	8.5	3.5	7.5	0.6	CL24223-2G30****	1000
0.082	10.5	8.5	3.5	7.5	0.6	CL24823-2E30****	1000	0.033	10.5	9.0	4.0	7.5	0.6	CL24333-2G30****	1000
0.10	10.5	8.5	3.5	7.5	0.6	CL24104-2E30****	1000	0.047	10.5	10.0	5.0	7.5	0.6	CL24473-2G30****	1000
0.15	10.5	10.0	5.0	7.5	0.6	CL24154-2E30****	1000	0.056	10.5	10.0	5.0	7.5	0.6	CL24563-2G30****	1000
0.18	10.5	11.0	5.0	7.5	0.6	CL24184-2E30****	1000	0.068	10.5	11.0	5.0	7.5	0.6	CL24683-2G30****	1000
0.22	10.5	11.0	5.0	7.5	0.6	CL24224-2E30****	1000	0.082	10.5	12.0	6.0	7.5	0.6	CL24823-2G30****	1000
0.33	10.5	12.0	6.0	7.5	0.6	CL24334-2E30****	1000	0.10	10.5	12.0	6.0	7.5	0.6	CL24104-2G30****	1000
0.056	13.0	9.0	4.0	10.0	0.6	CL24563-2E40****	500	0.010	13.0	9.0	4.0	10.0	0.6	CL24103-2G40****	500
0.068	13.0	9.0	4.0	10.0	0.6	CL24683-2E40****	500	0.015	13.0	9.0	4.0	10.0	0.6	CL24153-2G40****	500
0.082	13.0	9.0	4.0	10.0	0.6	CL24823-2E40****	500	0.022	13.0	9.0	4.0	10.0	0.6	CL24223-2G40****	500
0.10	13.0	9.0	4.0	10.0	0.6	CL24104-2E40****	500	0.033	13.0	9.0	4.0	10.0	0.6	CL24333-2G40****	500
0.15	13.0	9.0	4.0	10.0	0.6	CL24154-2E40****	500	0.047	13.0	9.0	4.0	10.0	0.6	CL24473-2G40****	500
0.22	13.0	11.0	5.0	10.0	0.6	CL24224-2E40****	500	0.056	13.0	9.0	4.0	10.0	0.6	CL24563-2G40****	500
0.33	13.0	12.0	6.0	10.0	0.6	CL24334-2E40****	500	0.068	13.0	11.0	5.0	10.0	0.6	CL24683-2G40****	500
0.47	13.0	12.0	6.0	10.0	0.6	CL24474-2E40****	500	0.082	13.0	11.0	5.0	10.0	0.6	CL24823-2G40****	500
0.10	18.0	11.0	5.0	15.0	0.8	CL24104-2E60****	500	0.10	13.0	11.0	5.0	10.0	0.6	CL24104-2G40****	500
0.15	18.0	11.0	5.0	15.0	0.8	CL24154-2E60****	500	0.15	13.0	12.0	6.0	10.0	0.6	CL24154-2G40****	500
0.22	18.0	11.0	5.0	15.0	0.8	CL24224-2E60****	500	0.033	18.0	11.0	5.0	15.0	0.8	CL24333-2G60****	500
0.33	18.0	11.0	5.0	15.0	0.8	CL24334-2E60****	500	0.047	18.0	11.0	5.0	15.0	0.8	CL24473-2G60****	500
0.47	18.0	11.0	5.0	15.0	0.8	CL24474-2E60****	500	0.056	18.0	11.0	5.0	15.0	0.8	CL24563-2G60****	500
0.56	18.0	11.0	5.0	15.0	0.8	CL24564-2E60****	500	0.068	18.0	11.0	5.0	15.0	0.8	CL24683-2G60****	500
0.68	18.0	12.0	6.0	15.0	0.8	CL24684-2E60****	500	0.082	18.0	11.0	5.0	15.0	0.8	CL24823-2G60****	500
0.82	18.0	12.0	6.0	15.0	0.8	CL24824-2E60****	500	0.10	18.0	11.0	5.0	15.0	0.8	CL24104-2G60****	500
1.0	18.0	13.5	7.5	15.0	0.8	CL24105-2E60****	500	0.15	18.0	11.0	5.0	15.0	0.8	CL24154-2G60****	500
1.5	18.0	14.5	8.5	15.0	0.8	CL24155-2E60****	500	0.22	18.0	12.0	6.0	15.0	0.8	CL24224-2G60****	500
1.8	18.0	16.0	10.0	15.0	0.8	CL24185-2E60****	500	0.33	18.0	13.5	7.5	15.0	0.8	CL24334-2G60****	500
2.2	18.0	19.0	11.0	15.0	0.8	CL24225-2E60****	200	0.47	18.0	14.5	8.5	15.0	0.8	CL24474-2G60****	500
0.47	26.5	15.0	6.0	22.5	0.8	CL24474-2E90****	500	0.56	18.0	16.0	10.0	15.0	0.8	CL24564-2G60****	500
0.56	26.5	15.0	6.0	22.5	0.8	CL24564-2E90****	500	0.68	18.0	17.5	8.5	15.0	0.8	CL24684-2G60****	500
0.68	26.5	15.0	6.0	22.5	0.8	CL24684-2E90****	500	0.82	18.0	19.0	11.0	15.0	0.8	CL24824-2G60****	200
0.82	26.5	15.0	6.0	22.5	0.8	CL24824-2E90****	500	1.0	18.0	19.0	11.0	15.0	0.8	CL24105-2G60****	200
1.0	26.5	15.0	6.0	22.5	0.8	CL24105-2E90****	500	0.33	26.5	15.0	6.0	22.5	0.8	CL24334-2G90****	500
1.5	26.5	16.0	7.0	22.5	0.8	CL24155-2E90****	500	0.47	26.5	15.0	6.0	22.5	0.8	CL24474-2G90****	500
1.8	26.5	16.0	7.0	22.5	0.8	CL24185-2E90****	500	0.56	26.5	15.0	6.0	22.5	0.8	CL24564-2G90****	500
2.2	26.5	17.0	8.5	22.5	0.8	CL24225-2E90****	500	0.68	26.5	16.0	7.0	22.5	0.8	CL24684-2G90****	500
3.3	26.5	20.0	11.0	22.5	0.8	CL24335-2E90****	200	1.0	26.5	17.0	8.5	22.5	0.8	CL24105-2G90****	500
4.7	26.5	22.0	12.0	22.5	0.8	CL24475-2E90****	200	1.5	26.5	20.0	11.0	22.5	0.8	CL24155-2G90****	200
1.0	32.0	18.0	9.0	27.5	0.8	CL24105-2EB0****	500	2.2	26.5	22.0	12.0	22.5	0.8	CL24225-2G90****	200
1.5	32.0	18.0	9.0	27.5	0.8	CL24155-2EB0****	500	0.56	32.0	18.0	9.0	27.5	0.8	CL24564-2GB0****	500
1.8	32.0	18.0	9.0	27.5	0.8	CL24185-2EB0****	500	0.68	32.0	18.0	9.0	27.5	0.8	CL24684-2GB0****	500
2.2	32.0	18.0	9.0	27.5	0.8	CL24225-2EB0****	500	0.82	32.0	18.0	9.0	27.5	0.8	CL24824-2GB0****	500
3.3	32.0	18.0	9.0	27.5	0.8	CL24335-2EB0****	500	1.0	32.0	18.0	9.0	27.5	0.8	CL24105-2GB0****	500
4.7	32.0	20.0	11.0	27.5	0.8	CL24475-2EB0****	200	1.5	32.0	20.0	11.0	27.5	0.8	CL24155-2GB0****	200
5.6	32.0	22.0	13.0	27.5	0.8	CL24565-2EB0****	100	2.2	32.0	22.0	13.0	27.5	0.8	CL24225-2GB0****	100
6.8	32.0	25.0	14.0	27.5	0.8	CL24685-2EB0****	100	3.3	32.0	25.0	14.0	27.5	0.8	CL24335-2GB0****	100
8.2	32.0	24.5	15.0	27.5	0.8	CL24825-2EB0****	100								
10.0	32.0	28.0	17.0	27.5	0.8	CL24106-2EB0****	50								

备注:

“-”: 客户要求的容量偏差

“\*\*\*\*”: 引线加工和包装代码 (见 15 页表 4)

“▲”: 当额定电压为 450Vdc 时, 第 9~10 位为 2S

MOQ: 最小订单量

“-”=custom’s capacitor tolerance code, J=±5%, K=±10%, M=±20%

“\*\*\*\*”= Lead form and packing code (refer to table 4 in page 15)

“▲”=when the rated voltage is 450Vdc, the digit 9~10 is 2S

MOQ = Minimum order quantity

◆ 产品尺寸：Product Dimension:

630Vdc (220Vac)															
C (μF)	W	H	T	P	d	产品代码 Part number	MOQ	C (μF)	W	H	T	P	d	产品代码 Part number	MOQ
0.0047	10.5	8.5	3.5	7.5	0.6	CL24472-2J30****	1000	0.068	18.0	11.0	5.0	15.0	0.8	CL24683-2J60****	500
0.0056	10.5	8.5	3.5	7.5	0.6	CL24562-2J30****	1000	0.082	18.0	12.0	6.0	15.0	0.8	CL24823-2J60****	500
0.0068	10.5	8.5	3.5	7.5	0.6	CL24682-2J30****	1000	0.10	18.0	12.0	6.0	15.0	0.8	CL24104-2J60****	500
0.0082	10.5	8.5	3.5	7.5	0.6	CL24822-2J30****	1000	0.15	18.0	13.5	7.5	15.0	0.8	CL24154-2J60****	500
0.010	10.5	8.5	3.5	7.5	0.6	CL24103-2J30****	1000	0.22	18.0	16.0	10.0	15.0	0.8	CL24224-2J60****	500
0.015	10.5	11.0	5.0	7.5	0.6	CL24153-2J30****	1000	0.33	18.0	19.0	11.0	15.0	0.8	CL24334-2J60****	200
0.022	10.5	11.0	5.0	7.5	0.6	CL24223-2J30****	1000	0.10	26.5	15.0	6.0	22.5	0.8	CL24104-2J90****	500
0.033	10.5	12.0	6.0	7.5	0.6	CL24333-2J30****	1000	0.15	26.5	15.0	6.0	22.5	0.8	CL24154-2J90****	500
0.0047	13.0	9.0	4.0	10.0	0.6	CL24472-2J40****	500	0.22	26.5	16.0	7.0	22.5	0.8	CL24224-2J90****	500
0.0056	13.0	9.0	4.0	10.0	0.6	CL24562-2J40****	500	0.33	26.5	17.0	8.5	22.5	0.8	CL24334-2J90****	500
0.0068	13.0	9.0	4.0	10.0	0.6	CL24682-2J40****	500	0.47	26.5	18.5	10.0	22.5	0.8	CL24474-2J90****	200
0.0082	13.0	9.0	4.0	10.0	0.6	CL24822-2J40****	500	0.56	26.5	20.0	11.0	22.5	0.8	CL24564-2J90****	200
0.010	13.0	9.0	4.0	10.0	0.6	CL24103-2J40****	500	0.68	26.5	22.0	12.0	22.5	0.8	CL24684-2J90****	200
0.015	13.0	9.0	4.0	10.0	0.6	CL24153-2J40****	500	0.33	32.0	18.0	9.0	27.5	0.8	CL24334-2JB0****	500
0.022	13.0	9.0	4.0	10.0	0.6	CL24223-2J40****	500	0.47	32.0	18.0	9.0	27.5	0.8	CL24474-2JB0****	500
0.033	13.0	11.0	5.0	10.0	0.6	CL24333-2J40****	500	0.56	32.0	20.0	11.0	27.5	0.8	CL24564-2JB0****	200
0.047	13.0	12.0	6.0	10.0	0.6	CL24473-2J40****	500	0.68	32.0	20.0	11.0	27.5	0.8	CL24684-2JB0****	200
0.056	13.0	12.0	6.0	10.0	0.6	CL24563-2J40****	500	0.82	32.0	22.0	13.0	27.5	0.8	CL24824-2JB0****	100
0.033	18.0	11.0	5.0	15.0	0.8	CL24333-2J60****	500	1.0	32.0	22.0	13.0	27.5	0.8	CL24105-2JB0****	100
0.047	18.0	11.0	5.0	15.0	0.8	CL24473-2J60****	500	1.5	32.0	28.0	14.0	27.5	0.8	CL24155-2JB0****	100
0.056	18.0	11.0	5.0	15.0	0.8	CL24563-2J60****	500	2.2	32.0	33.0	18.0	27.5	0.8	CL24225-2JB0****	50

备注:

“-”: 客户要求的容量偏差

“\*\*\*\*”: 引线加工和包装代码 (见 15 页表 4)

MOQ: 最小订单量

“-”=custom's capacitor tolerance code, J=±5%, K=±10%, M=±20%

“\*\*\*\*”= Lead form and packing code (refer to table 4 in page 15)

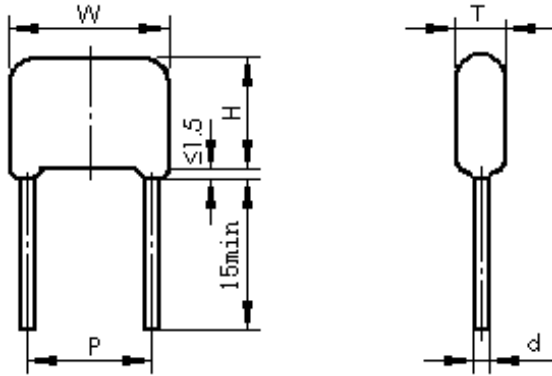
MOQ = Minimum order quantity

◆ 最大电压脉冲斜率：Max dv/dt (V/μs)

额定电压 (V)	dv/dt(V/μs)				
	P=5.0mm	P=7.5mm	P=10.0mm	P=15.0mm	P=22.5mm
63	10	6	4	2	1
100	18	11	7	5	3
250	30	20	12	8	5
400/450	50	38	20	15	9
630	70	50	32	24	15

## CL62 型金属化聚酯薄膜电容器（浸渍型） CL62 type metallized Polyester Film Capacitor

### ◆ 外形尺寸图及产品结构 Outline Drawing and Capacitor Construction



### ◆ 特点及用途 Application and Feature:

金属化聚酯膜，无感卷绕结构，自愈性好，适用于脉冲、逻辑、振荡电路及抗干扰

Metallized polyester film, non-inductive wound construction, plastic case, small size and excellent self-healing property, is suitable for DC, coupling, pulse, logic, oscillator circuits and interference suppression in low voltage application.

### ◆ 技术要求 Specifications

参照标准 Reference Standard	GB 7332、IEC 60384-2
气候类别 Climatic Category	55/125/21
工作温度范围 Operation Temperature Range	-55℃~125℃
额定温度 Rated Temperature	85℃
额定电压 Rated Voltage	125Vac,250Vac
电容量范围 Capacitance Range	0.010 μF~1.0 μF
电容量偏差 Capacitance Tolerance	±5%(J)、±10%(K)、±20%(M) (20℃, 1kHz)
耐电压 Voltage Proof	U=1.6U <sub>R</sub> (20℃, 5s)
绝缘电阻 Insulation Resistance	C <sub>R</sub> ≤0.33μF, IR≥30 000MΩ C <sub>R</sub> >0.33μF, IR×C≥10 000s (20℃, 100Vdc, 1min)
损耗角正切 Dissipation Factor	≤0.0080 (1kHz, 20℃)

说明：电容器的工作电压随温度上升而下降，在 85~125℃之间，以 85℃为基准，环境温度每上升 1℃，电容器的额定工作电压应降低 1.25%。

Note: The working voltage of the capacitor decreases as the temperature rises. between 85~125℃,take 85℃ as the base, the temperature rises 1℃,the rated working voltage of the capacitor decreases 1.25%.



◆ 产品尺寸: Special Product Dimension:

125Vac								250Vac							
C (μF)	W	H	T	P	d	产品代码 Part number	MOQ	C (μF)	W	H	T	P	d	产品代码 Part number	MOQ
0.01	9.8	8.6	4.6	7.5	0.6	CL62103-B230****	500	0.01	12.5	8.6	4.6	10.0	0.6	CL62103-E240****	500
0.012	9.8	8.3	4.3	7.5	0.6	CL62123-B230****	500	0.012	12.5	8.3	4.3	10.0	0.6	CL62123-E240****	500
0.015	9.8	8.3	4.3	7.5	0.6	CL62153-B230****	500	0.015	12.5	8.8	4.7	10.0	0.6	CL62153-E240****	500
0.018	9.8	8.6	4.5	7.5	0.6	CL62183-B230****	500	0.018	12.5	9.2	5.2	10.0	0.6	CL62183-E240****	500
0.022	9.8	8.5	4.4	7.5	0.6	CL62223-B230****	500	0.022	12.5	10.5	5.4	10.0	0.6	CL62223-E240****	500
0.027	9.8	8.3	4.3	7.5	0.6	CL62273-B230****	500	0.027	12.5	11.1	5.9	10.0	0.6	CL62273-E240****	500
0.033	9.8	8.7	4.7	7.5	0.6	CL62333-B230****	500	0.033	12.5	12.5	6.3	10.0	0.6	CL62333-E240****	500
0.039	9.8	8.4	4.4	7.5	0.6	CL62393-B230****	500	0.039	12.5	14.2	6.3	10.0	0.6	CL62393-E240****	500
0.047	9.8	8.8	4.7	7.5	0.6	CL62473-B230****	500	0.047	12.5	14.9	6.9	10.0	0.6	CL62473-E240****	500
0.056	9.8	9.2	5.2	7.5	0.6	CL62563-B230****	500	0.047	17.5	10.2	4.3	15.0	0.6	CL62473-E260****	500
0.068	9.8	10.0	5.7	7.5	0.6	CL62683-B230****	500	0.056	17.5	10.5	4.6	15.0	0.6	CL62563-E260****	500
0.082	9.8	10.5	6.2	7.5	0.6	CL62823-B230****	500	0.068	17.5	11.0	5.1	15.0	0.6	CL62683-E260****	500
0.1	9.8	11.9	6.5	7.5	0.6	CL62104-B230****	500	0.082	17.5	11.8	5.6	15.0	0.6	CL62823-E260****	500
0.056	12.5	8.3	4.3	10.0	0.6	CL62563-B240****	500	0.1	17.5	12.4	6.2	15.0	0.6	CL62104-E260****	500
0.068	12.5	8.6	4.6	10.0	0.6	CL62683-B240****	500	0.12	17.5	14.2	6.3	15.0	0.8	CL62124-E260****	500
0.082	12.5	9.0	5.0	10.0	0.6	CL62823-B240****	500	0.15	17.5	15.1	7.1	15.0	0.8	CL62154-E260****	500
0.1	12.5	10.3	5.2	10.0	0.6	CL62104-B240****	500	0.18	17.5	15.8	7.8	15.0	0.8	CL62184-E260****	500
0.12	12.5	11.3	5.4	10.0	0.6	CL62124-B240****	500	0.22	17.5	16.7	9.0	15.0	0.8	CL62224-E260****	500
0.15	12.5	12.2	6.0	10.0	0.6	CL62154-B240****	500	0.18	25.5	13.5	5.7	22.5	0.8	CL62184-E290****	500
0.18	12.5	12.8	6.6	10.0	0.6	CL62184-B240****	500	0.22	25.5	14.3	6.3	22.5	0.8	CL62224-E290****	500
0.22	12.5	13.6	7.4	10.0	0.6	CL62224-B240****	500	0.27	25.5	16.1	6.6	22.5	0.8	CL62274-E290****	500
0.15	17.5	10.3	4.3	15.0	0.6	CL62154-B260****	500	0.33	25.5	16.9	7.4	22.5	0.8	CL62334-E290****	500
0.18	17.5	10.7	4.8	15.0	0.6	CL62184-B260****	500	0.39	25.5	17.7	8.1	22.5	0.8	CL62394-E290****	500
0.22	17.5	11.2	5.3	15.0	0.6	CL62224-B260****	500	0.47	25.5	18.6	9.3	22.5	0.8	CL62474-E290****	500
0.27	17.5	12.1	5.8	15.0	0.6	CL62274-B260****	500								
0.33	17.5	12.7	6.5	15.0	0.6	CL62334-B260****	500								
0.39	17.5	13.3	7.1	15.0	0.6	CL62394-B260****	500								
0.47	17.5	15.2	7.2	15.0	0.6	CL62474-B260****	500								
0.56	17.5	15.9	7.9	15.0	0.8	CL62564-B260****	500								
0.68	17.5	16.8	9.0	15.0	0.8	CL62684-B260****	500								
0.47	25.5	13.1	5.4	22.5	0.8	CL62474-B290****	500								
0.56	25.5	13.7	5.9	22.5	0.8	CL62564-B290****	500								
0.68	25.5	14.5	6.6	22.5	0.8	CL62684-B290****	500								
0.82	25.5	15.2	7.3	22.5	0.8	CL62824-B290****	500								
1.0	25.5	16.1	8.1	22.5	0.8	CL62105-B290****	500								

备注:

“-”: 客户要求的容量偏差

“\*\*\*\*”: 引线加工和包装代码 (见 15 页表 4)

MOQ: 最小订单量

“-”=custom’s capacitor tolerance code, J=±5%, K=±10%, M=±20%

“\*\*\*\*”= Lead form and packing code (refer to table 4 in page 15)

MOQ = Minimum order quantity





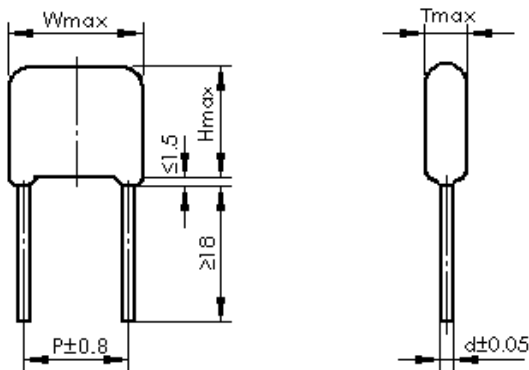
CDH

中星 CDH series

## CDH 型点火电容器（浸渍型）

### Ignition Capacitor (Dipped)

#### ◆ 外形尺寸图及产品结构 Outline Drawing and Capacitor Construction



#### ◆ 特点及用途 Application and Feature

金属化聚酯膜，无感卷绕结构，具有耐压高、承受充放电能力强、体积小等特点，适用于摩托车、灶具等点火电容。

Metallized polyester film, non-inductive wound construction, high-pressure tolerance, high charging and discharging capacity and low-profile. Suitable for the ignition circuits for motorcycle, cooker, etc.

#### ◆ 技术要求 Specifications

参照标准 Reference Standard	GB 7332、IEC 60384-2
气候类别 Climatic Category	55/085/21
工作温度范围 Operation Temperature Range	-55℃~85℃
额定温度 Rated Temperature	85℃
额定电压 Rated Voltage	400Vdc
电容量范围 Capacitance Range	0.47μF~2.2μF
电容量偏差 Capacitance Tolerance	±5%(J)、±10%(K)、±20%(M)(20℃, 1kHz)
耐电压 Voltage Proof	U=1.5UR, 5s(20℃)
绝缘电阻 Insulation Resistance	CR≤0.33 u F, IR≥7 500MΩ CR>0.33 uF, IR×C≥2 500 s (20℃, 100V, 1min)
损耗角正切 Dissipation Factor	≤0.0080 (1kHz, 20℃)
说明：电容器的工作电压随温度和频率上升而下降，在使用电容器时应充分考虑。 Note: The working voltage of the capacitor decreases as the temperature and the frequency rises. Close attention should be paid to the use of the capacitor.	

#### ◆ 产品尺寸：Special Product Dimension:

400Vdc															
C (μF)	W	H	T	P	d	产品代码 Part number	MOQ	C (μF)	W	H	T	P	d	产品代码 Part number	MOQ
0.47	17.5	14.0	5.0	15.0	0.8	CDHX474-2G60****	500	1.2	22.5	15.0	7.5	20.0	0.8	CDHX185-2G80****	500
0.56	17.5	14.0	6.0	15.0	0.8	CDHX564-2G60****	500	1.5	22.5	15.5	8.5	20.0	0.8	CDHX225-2G80****	500
0.68	17.5	14.0	7.0	15.0	0.8	CDHX684-2G60****	500	1.0	27.7	13.5	6.0	25.0	0.8	CDHX105-2GA0****	500
0.82	17.5	14.5	7.5	15.0	0.8	CDHX824-2G60****	500	1.2	27.7	14.0	6.5	25.0	0.8	CDHX125-2GA0****	500
1.0	17.5	15.5	8.0	15.0	0.8	CDHX105-2G60****	500	1.5	27.7	14.0	7.5	25.0	0.8	CDHX155-2GA0****	500
0.68	22.5	12.5	5.5	20.0	0.8	CDHX105-2G80****	500	1.8	27.7	15.5	8.0	25.0	0.8	CDHX185-2GA0****	500
0.82	22.5	13.5	6.0	20.0	0.8	CDHX125-2G80****	500	2.2	27.7	16.0	9.0	25.0	0.8	CDHX225-2GA0****	500
1.0	22.5	13.5	7.0	20.0	0.8	CDHX155-2G80****	500								

备注：

“-”：客户要求的容量偏差

“\*\*\*\*”：引线加工和包装代码（见 15 页表 4）

MOQ：最小订单量

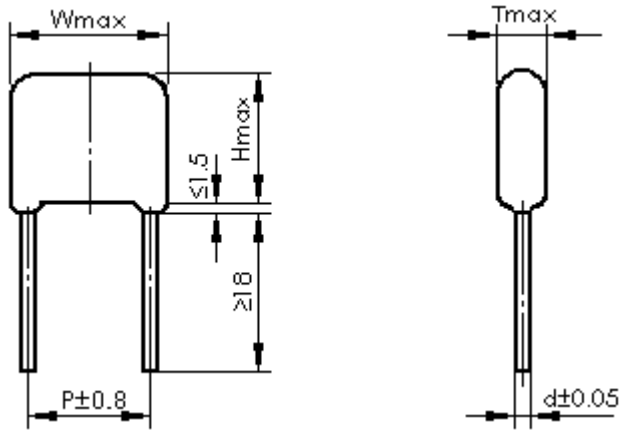
“-”=custom's capacitor tolerance code, J=±5%, K=±10%, M=±20%

“\*\*\*\*”= Lead form and packing code (refer to table 4 in page 15)

MOQ = Minimum order quantity

## CPS21 型高温、高频、中压金属化聚苯硫醚薄膜电容器（浸渍型） Metallized Polyphenylene Sulfide film capacitor (Dipped)

### ◆ 外形尺寸图及产品结构 Outline Drawing and Capacitor Construction



### ◆ 特点及用途 Application and Feature

兼有金属化聚酯薄膜电容器和金属化聚丙烯薄膜电容器的优点，主要有耐高温、高频特性较优、损耗小、绝缘电阻高、容量稳定性较好、体积小等特点，适用于直流、脉冲和要求较高的高频电路。

Has the both advantages of the metallized polypropylene film capacitor and metallized polyester film capacitor, high-temperature, high insulation resistance, low-loss and steady capacitance range. Suitable for DC, impulse and high frequency circuit.

### ◆ 技术要求 Specifications

参照标准 Reference Standard	IEC 60384-20	
气候类别 Climatic Category	55/155/21	
工作温度范围 Operation Temperature Range	-55℃~155℃	
额定温度 Rated Temperature	125℃	
额定电压 Rated Voltage	250Vdc、400Vdc、450Vdc、630Vdc、1000Vdc、1250Vdc	
电容量范围 Capacitance Range	0.00033μF~0.82μF	
电容量偏差 Capacitance Tolerance	±5%(J)、±10%(K)、±20%(M) (20℃, 1kHz)	
耐电压 Voltage Proof	U=1.6U <sub>R</sub> (20℃, 5s)	
绝缘电阻 Insulation Resistance	$C_R \leq 0.33\mu F, IR \geq 30\ 000\ M\Omega$ $C_R > 0.33\mu F, IR \times C \geq 10\ 000s$	(20℃, 500Vdc, 1min)
损耗角正切 Dissipation Factor	$\leq 0.0010$ (1kHz, 20℃) $\leq 0.0020$ (10kHz, 20℃) ( $C_R \leq 1\mu F$ )	
说明：电容器的工作电压随温度上升而下降，在 125~155℃之间，以 125℃为基准，环境温度每上升 1℃，电容器的额定工作电压应降低 1.25%。 Note: The working voltage of the capacitor decreases as the temperature rises. between 125~155℃,take 125℃ as the base, the temperature rises 1℃,the rated working voltage of the capacitor decreases 1.25%.		



CPS21  
CPS21 series

◆ 产品尺寸: Product Dimension:

250Vdc								400/450Vdc							
C ( $\mu$ F)	W	H	T	P	d	产品代码 Part number	MOQ	C ( $\mu$ F)	W	H	T	P	d	产品代码 Part number	MOQ
0.047	10.5	8.0	4.0	7.5	0.6	CS21473-2E30****	1000	0.022	10.5	8.5	4.0	7.5	0.6	CS21223-2G30****	500
0.056	10.5	8.5	4.0	7.5	0.6	CS21563-2E30****	1000	0.027	10.5	8.5	4.5	7.5	0.6	CS21273-2G30****	500
0.068	10.5	8.5	4.5	7.5	0.6	CS21683-2E30****	1000	0.033	10.5	9.0	5.0	7.5	0.6	CS21333-2G30****	500
0.082	10.5	9.0	5.0	7.5	0.6	CS21823-2E30****	1000	0.039	10.5	9.5	5.5	7.5	0.6	CS21393-2G30****	500
0.100	10.5	9.5	5.5	7.5	0.6	CS21104-2E30****	1000	0.047	10.5	10.0	6.0	7.5	0.6	CS21473-2G30****	500
0.120	10.5	10.0	6.0	7.5	0.6	CS21124-2E30****	1000	0.056	10.5	11.5	5.5	7.5	0.6	CS21563-2G30****	500
0.150	10.5	11.0	6.0	7.5	0.6	CS21154-2E30****	1000	0.068	10.5	12.0	6.0	7.5	0.6	CS21683-2G30****	500
0.180	10.5	11.5	6.5	7.5	0.6	CS21184-2E30****	1000	0.082	10.5	12.5	6.5	7.5	0.6	CS21823-2G30****	500
0.100	13.0	9.0	5.0	10.0	0.6	CS21104-2E40****	500	0.100	10.5	13.0	7.5	7.5	0.6	CS21104-2G30****	500
0.120	13.0	10.0	5.0	10.0	0.6	CS21124-2E40****	500	0.033	13.0	9.0	4.0	10.0	0.6	CS21333-2G40****	500
0.150	13.0	10.5	5.5	10.0	0.6	CS21154-2E40****	500	0.047	13.0	10.0	4.5	10.0	0.6	CS21473-2G40****	500
0.180	13.0	11.0	6.0	10.0	0.6	CS21184-2E40****	500	0.056	13.0	10.5	5.0	10.0	0.6	CS21563-2G40****	500
0.220	13.0	11.5	6.5	10.0	0.6	CS21224-2E40****	500	0.068	13.0	11.0	5.5	10.0	0.6	CS21683-2G40****	500
0.270	13.0	12.0	7.0	10.0	0.6	CS21274-2E40****	500	0.082	13.0	11.5	5.5	10.0	0.6	CS21823-2G40****	500
0.330	13.0	14.0	7.0	10.0	0.6	CS21334-2E40****	500	0.100	13.0	12.0	6.0	10.0	0.6	CS21104-2G40****	500
0.270	18.0	11.5	6.0	15.0	0.6	CS21274-2E60****	500	0.120	13.0	13.5	6.5	10.0	0.6	CS21124-2G40****	500
0.330	18.0	12.0	6.5	15.0	0.6	CS21334-2E60****	500	0.150	13.0	14.5	7.0	10.0	0.6	CS21154-2G40****	500
0.470	18.0	14.0	7.0	15.0	0.8	CS21474-2E60****	500	0.180	13.0	15.0	8.0	10.0	0.6	CS21184-2G40****	500
0.680	18.0	15.5	8.0	15.0	0.8	CS21684-2E60****	500	0.100	18.0	10.5	5.5	15.0	0.6	CS21104-2G60****	500
0.820	18.0	16.5	9.5	15.0	0.8	CS21824-2E60****	500	0.120	18.0	11.5	5.5	15.0	0.6	CS21124-2G60****	500
1.000	18.0	17.5	10.0	15.0	0.8	CS21105-2E60****	500	0.150	18.0	12.0	6.0	15.0	0.6	CS21154-2G60****	500
								0.180	18.0	12.5	6.5	15.0	0.8	CS21184-2G60****	500
								0.220	18.0	13.0	7.5	15.0	0.8	CS21224-2G60****	500
								0.270	18.0	15.0	7.5	15.0	0.8	CS21274-2G60****	500
								0.330	18.0	15.5	8.0	15.0	0.8	CS21334-2G60****	500
								0.470	18.0	17.0	10.0	15.0	0.8	CS21474-2G60****	500
								0.470	26.5	16.0	7.0	22.5	0.8	CS21474-2G90****	500
								0.560	26.5	17.0	8.0	22.5	0.8	CS21564-2G90****	500
								0.680	26.5	17.5	9.0	22.5	0.8	CS21684-2G90****	500
								0.820	26.5	18.5	9.5	22.5	0.8	CS21824-2G90****	500
								1.000	26.5	19.5	10.5	22.5	0.8	CS21105-2G90****	500

备注:

“-”: 客户要求的容量偏差

“\*\*\*\*”: 引线加工和包装代码 (见 15 页表 4)

MOQ: 最小订单量

“-”=custom's capacitor tolerance code, J=±5%, K=±10%, M=±20%

“\*\*\*\*”= Lead form and packing code (refer to table 4 in page 15)

MOQ = Minimum order quantity

◆ 产品尺寸: Product Dimension:

630Vdc															
C ( $\mu$ F)	W	H	T	P	d	产品代码 Part number	MOQ	C ( $\mu$ F)	W	H	T	P	d	产品代码 Part number	MOQ
0.010	10.5	8.5	4.0	7.5	0.6	CS21103-2J30****	1000	0.082	18.0	13.5	6.0	15.0	0.6	CS21823-2J60****	500
0.012	10.5	8.5	4.5	7.5	0.6	CS21123-2J30****	1000	0.100	18.0	14.0	6.5	15.0	0.8	CS21104-2J60****	500
0.015	10.5	9.5	4.5	7.5	0.6	CS21153-2J30****	1000	0.120	18.0	14.5	7.0	15.0	0.8	CS21124-2J60****	500
0.018	10.5	10.0	5.0	7.5	0.6	CS21183-2J30****	1000	0.150	18.0	15.0	8.0	15.0	0.8	CS21154-2J60****	500
0.022	10.5	11.0	5.0	7.5	0.6	CS21223-2J30****	1000	0.220	18.0	17.0	9.5	15.0	0.8	CS21224-2J60****	500
0.027	10.5	11.5	5.5	7.5	0.6	CS21273-2J30****	1000	0.270	18.0	19.0	10.0	15.0	0.8	CS21274-2J60****	500
0.033	10.5	12.0	6.0	7.5	0.6	CS21333-2J30****	1000	0.150	26.5	14.0	6.5	22.5	0.8	CS21154-2J90****	500
0.022	13.0	9.5	4.5	10.0	0.6	CS21223-2J40****	500	0.180	26.5	14.5	6.0	22.5	0.8	CS21184-2J90****	500
0.027	13.0	10.5	5.0	10.0	0.6	CS21273-2J40****	500	0.220	26.5	16.0	7.0	22.5	0.8	CS21224-2J90****	500
0.033	13.0	11.0	5.5	10.0	0.6	CS21333-2J40****	500	0.270	26.5	17.0	8.0	22.5	0.8	CS21274-2J90****	500
0.039	13.0	11.5	5.5	10.0	0.6	CS21393-2J40****	500	0.330	26.5	17.5	8.5	22.5	0.8	CS21334-2J90****	500
0.047	13.0	12.0	6.0	10.0	0.6	CS21473-2J40****	500	0.390	26.5	18.5	9.5	22.5	0.8	CS21394-2J90****	500
0.056	13.0	13.5	6.0	10.0	0.6	CS21563-2J40****	500	0.470	26.5	19.0	10.5	22.5	0.8	CS21474-2J90****	500
0.068	13.0	14.0	7.0	10.0	0.6	CS21683-2J40****	500	0.560	26.5	20.0	11.5	22.5	0.8	CS21564-2J90****	200
0.047	18.0	12.0	5.0	15.0	0.6	CS21473-2J60****	500	0.680	26.5	21.5	12.5	22.5	0.8	CS21684-2J90****	200
0.056	18.0	12.5	5.0	15.0	0.6	CS21563-2J60****	500	0.820	26.5	22.5	14.0	22.5	0.8	CS21824-2J90****	200
0.068	18.0	13.0	5.5	15.0	0.6	CS21683-2J60****	500	1.000	26.5	24.5	15.5	22.5	0.8	CS21105-2J90****	200

备注:

“-”: 客户要求的容量偏差

“\*\*\*\*”: 引线加工和包装代码 (见 15 页表 4)

MOQ: 最小订单量

“-”=custom's capacitor tolerance code, J=±5%, K=±10%, M=±20%

“\*\*\*\*”= Lead form and packing code (refer to table 4 in page 15)

MOQ = Minimum order quantity



**CPS21**  
CPS21 series

◆ 产品尺寸: **Product Dimension:**

1000Vdc/250Vac																
C (μF)	W	H	T	P	d	产品代码 Part number	MOQ	C (μF)	W	H	T	P	d	产品代码 Part number	MOQ	
0.001	10.2	7.5	4	7.5	0.6	CS21102-3A30****	1000	0.0068	26.5	12	5.5	22.5	0.8	CS21682-3A90****	500	
0.0012	10.2	7.5	4	7.5	0.6	CS21122-3A30****	1000	0.0082	26.5	12	5.5	22.5	0.8	CS21822-3A90****	500	
0.0015	10.2	7.5	4	7.5	0.6	CS21152-3A30****	1000	0.01	26.5	12	5.5	22.5	0.8	CS21103-3A90****	500	
0.0018	10.2	7.5	4	7.5	0.6	CS21182-3A30****	1000	0.012	26.5	12	5.5	22.5	0.8	CS21123-3A90****	500	
0.0022	10.2	7.5	4	7.5	0.6	CS21222-3A30****	1000	0.015	26.5	12	5.5	22.5	0.8	CS21153-3A90****	500	
0.0027	10.2	8	4	7.5	0.6	CS21272-3A30****	1000	0.018	26.5	12	5.5	22.5	0.8	CS21183-3A90****	500	
0.0033	10.2	8	4	7.5	0.6	CS21332-3A30****	1000	0.022	26.5	12	5.5	22.5	0.8	CS21223-3A90****	500	
0.0039	10.2	8	4	7.5	0.6	CS21392-3A30****	1000	0.027	26.5	12	5.5	22.5	0.8	CS21273-3A90****	500	
0.0047	10.2	8	4	7.5	0.6	CS21472-3A30****	1000	0.033	26.5	12	5.5	22.5	0.8	CS21333-3A90****	500	
0.0056	10.2	8.5	4.5	7.5	0.6	CS21562-3A30****	1000	0.039	26.5	12	5.5	22.5	0.8	CS21393-3A90****	500	
0.0068	10.2	9	5	7.5	0.6	CS21682-3A30****	1000	0.047	26.5	12	5.5	22.5	0.8	CS21473-3A90****	500	
0.0082	10.2	9	5.5	7.5	0.6	CS21822-3A30****	1000	0.056	26.5	13.5	5.5	22.5	0.8	CS21563-3A90****	500	
0.001	13	9	4	10	0.6	CS21102-3A40****	500	0.068	26.5	14	6	22.5	0.8	CS21683-3A90****	500	
0.0012	13	9	4	10	0.6	CS21122-3A40****	500	0.082	26.5	15	6.5	22.5	0.8	CS21823-3A90****	500	
0.0015	13	9	4	10	0.6	CS21152-3A40****	500	0.1	26.5	15.5	7	22.5	0.8	CS21104-3A90****	500	
0.0018	13	9	4	10	0.6	CS21182-3A40****	500	0.12	26.5	16.5	8	22.5	0.8	CS21124-3A90****	500	
0.0022	13	9	4	10	0.6	CS21222-3A40****	500	0.15	26.5	17.5	9	22.5	0.8	CS21154-3A90****	500	
0.0027	13	9	4	10	0.6	CS21272-3A40****	500	0.18	26.5	18.5	10	22.5	0.8	CS21184-3A90****	500	
0.0033	13	9	4	10	0.6	CS21332-3A40****	500	0.22	26.5	20	11	22.5	0.8	CS21224-3A90****	200	
0.0039	13	9	4	10	0.6	CS21392-3A40****	500	0.27	26.5	21	12.5	22.5	0.8	CS21274-3A90****	200	
0.0047	13	9	4	10	0.6	CS21472-3A40****	500	0.33	26.5	23.5	13	22.5	0.8	CS21334-3A90****	200	
0.0056	13	9	4.5	10	0.6	CS21562-3A40****	500	0.015	32	15	6.5	27.5	0.8	CS21153-3AB0****	500	
0.0068	13	9	4.5	10	0.6	CS21682-3A40****	500	0.018	32	15	6.5	27.5	0.8	CS21183-3AB0****	500	
0.0082	13	9	4.5	10	0.6	CS21822-3A40****	500	0.022	32	15	6.5	27.5	0.8	CS21223-3AB0****	500	
0.01	13	9.5	5	10	0.6	CS21103-3A40****	500	0.027	32	15	6.5	27.5	0.8	CS21273-3AB0****	500	
0.012	13	10	5	10	0.6	CS21123-3A40****	500	0.033	32	15	6.5	27.5	0.8	CS21333-3AB0****	500	
0.015	13	10.5	6	10	0.6	CS21153-3A40****	500	0.039	32	15	6.5	27.5	0.8	CS21393-3AB0****	500	
0.018	13	11	6.5	10	0.6	CS21183-3A40****	500	0.047	32	15	6.5	27.5	0.8	CS21473-3AB0****	500	
0.0027	18	10	5	15	0.6	CS21272-3A60****	500	0.056	32	15	6.5	27.5	0.8	CS21563-3AB0****	500	
0.0033	18	10.5	5	15	0.6	CS21332-3A60****	500	0.068	32	15	6.5	27.5	0.8	CS21683-3AB0****	500	
0.0039	18	12	5	15	0.6	CS21392-3A60****	500	0.082	32	15	7	27.5	0.8	CS21823-3AB0****	500	
0.0047	18	12	5	15	0.6	CS21472-3A60****	500	0.1	32	15	7	27.5	0.8	CS21104-3AB0****	500	
0.0056	18	12	5	15	0.6	CS21562-3A60****	500	0.12	32	15	7	27.5	0.8	CS21124-3AB0****	500	
0.0068	18	12	5	15	0.6	CS21682-3A60****	500	0.15	32	17.1	7	27.5	0.8	CS21154-3AB0****	500	
0.0082	18	12	5	15	0.6	CS21822-3A60****	500	0.18	32	17.9	8	27.5	0.8	CS21184-3AB0****	500	
0.01	18	12	5	15	0.6	CS21103-3A60****	500	0.22	32	18.9	9	27.5	0.8	CS21224-3AB0****	500	
0.012	18	12	5	15	0.6	CS21123-3A60****	500	0.27	32	20.1	10	27.5	0.8	CS21274-3AB0****	200	
0.015	18	12	5.5	15	0.6	CS21153-3A60****	500	0.33	32	21.4	11	27.5	0.8	CS21334-3AB0****	200	
0.018	18	12	5.5	15	0.6	CS21183-3A60****	500	0.39	32	22.6	12.5	27.5	0.8	CS21394-3AB0****	100	
0.022	18	12	5.5	15	0.6	CS21223-3A60****	500									
0.027	18	12	5.5	15	0.6	CS21273-3A60****	500									
0.033	18	13	5.5	15	0.6	CS21333-3A60****	500									
0.039	18	13	6	15	0.8	CS21393-3A60****	500									
0.047	18	14	7	15	0.8	CS21473-3A60****	500									
0.056	18	14.5	7.5	15	0.8	CS21563-3A60****	500									
0.068	18	15.5	8.5	15	0.8	CS21683-3A60****	500									
0.082	18	16.5	9.5	15	0.8	CS21823-3A60****	500									

备注:

“-”: 客户要求的容量偏差

“\*\*\*\*”: 引线加工和包装代码 (见 15 页表 4)

MOQ: 最小订单量

“-”=custom's capacitor tolerance code, J=±5%, K=±10%, M=±20%

“\*\*\*\*”= Lead form and packing code (refer to table 4 in page 15)

MOQ = Minimum order quantity

◆ 产品尺寸: Product Dimension:

1250Vdc/320Vac																
C ( $\mu$ F)	W	H	T	P	d	产品代码 Part number	MOQ	C ( $\mu$ F)	W	H	T	P	d	产品代码 Part number	MOQ	
0.00047	10.2	7.5	4	7.5	0.6	CS21471-3B30****	1000	0.0068	26.5	12	5	22.5	0.8	CS21682-3B90****	500	
0.00056	10.2	7.5	4	7.5	0.6	CS21561-3B30****	1000	0.0082	26.5	12	5.5	22.5	0.8	CS21822-3B90****	500	
0.00068	10.2	7.5	4	7.5	0.6	CS21681-3B30****	1000	0.01	26.5	12	5.5	22.5	0.8	CS21103-3B90****	500	
0.00082	10.2	7.5	4	7.5	0.6	CS21821-3B30****	1000	0.012	26.5	12	5.5	22.5	0.8	CS21123-3B90****	500	
0.001	10.2	7.5	4	7.5	0.6	CS21102-3B30****	1000	0.015	26.5	12	5.5	22.5	0.8	CS21153-3B90****	500	
0.0012	10.2	7.5	4	7.5	0.6	CS21122-3B30****	1000	0.018	26.5	12	5.5	22.5	0.8	CS21183-3B90****	500	
0.0015	10.2	7.5	4	7.5	0.6	CS21152-3B30****	1000	0.022	26.5	12	5.5	22.5	0.8	CS21223-3B90****	500	
0.0018	10.2	7.5	4	7.5	0.6	CS21182-3B30****	1000	0.027	26.5	12	5.5	22.5	0.8	CS21273-3B90****	500	
0.0022	10.2	7.5	4	7.5	0.6	CS21222-3B30****	1000	0.033	26.5	12	5.5	22.5	0.8	CS21333-3B90****	500	
0.0027	10.2	8	4	7.5	0.6	CS21272-3B30****	1000	0.039	26.5	12.5	5.5	22.5	0.8	CS21393-3B90****	500	
0.0033	10.2	8	4.5	7.5	0.6	CS21332-3B30****	1000	0.047	26.5	13	6.5	22.5	0.8	CS21473-3B90****	500	
0.0039	10.2	8.5	4.5	7.5	0.6	CS21392-3B30****	1000	0.056	26.5	15	6.5	22.5	0.8	CS21563-3B90****	500	
0.0047	10.2	9	5	7.5	0.6	CS21472-3B30****	1000	0.068	26.5	15.5	7	22.5	0.8	CS21683-3B90****	500	
0.0056	10.2	9	5.5	7.5	0.6	CS21562-3B30****	1000	0.082	26.5	16.5	8	22.5	0.8	CS21823-3B90****	500	
0.0068	10.2	9.5	6	7.5	0.6	CS21682-3B30****	1000	0.1	26.5	17.5	9	22.5	0.8	CS21104-3B90****	500	
0.001	13	9	4	10	0.6	CS21102-3B40****	500	0.12	26.5	18.5	9.5	22.5	0.8	CS21124-3B90****	500	
0.0012	13	9	4	10	0.6	CS21122-3B40****	500	0.15	26.5	19.5	11	22.5	0.8	CS21154-3B90****	200	
0.0015	13	9	4	10	0.6	CS21152-3B40****	500	0.18	26.5	21	12	22.5	0.8	CS21184-3B90****	200	
0.0018	13	9	4	10	0.6	CS21182-3B40****	500	0.22	26.5	22.5	13.5	22.5	0.8	CS21224-3B90****	200	
0.0022	13	9	4	10	0.6	CS21222-3B40****	500	0.015	32	15	6.5	27.5	0.8	CS21153-3BB0****	500	
0.0027	13	9	4	10	0.6	CS21272-3B40****	500	0.018	32	15	6.5	27.5	0.8	CS21183-3BB0****	500	
0.0033	13	9	4	10	0.6	CS21332-3B40****	500	0.022	32	15	6.5	27.5	0.8	CS21223-3BB0****	500	
0.0039	13	9	4	10	0.6	CS21392-3B40****	500	0.027	32	15	6.5	27.5	0.8	CS21273-3BB0****	500	
0.0047	13	9	4	10	0.6	CS21472-3B40****	500	0.033	32	15	6.5	27.5	0.8	CS21333-3BB0****	500	
0.0056	13	9	4.5	10	0.6	CS21562-3B40****	500	0.039	32	15	6.5	27.5	0.8	CS21393-3BB0****	500	
0.0068	13	9.5	5	10	0.6	CS21682-3B40****	500	0.047	32	15	6.5	27.5	0.8	CS21473-3BB0****	500	
0.0082	13	10	5	10	0.6	CS21822-3B40****	500	0.056	32	15	6.5	27.5	0.8	CS21563-3BB0****	500	
0.01	13	10.5	5.5	10	0.6	CS21103-3B40****	500	0.068	32	15	6.5	27.5	0.8	CS21683-3BB0****	500	
0.012	13	11	6.5	10	0.6	CS21123-3B40****	500	0.082	32	15	7	27.5	0.8	CS21823-3BB0****	500	
0.015	13	11.5	7	10	0.6	CS21153-3B40****	500	0.1	32	16	7.5	27.5	0.8	CS21104-3BB0****	500	
0.0027	18	10.5	5	15	0.6	CS21272-3B60****	500	0.12	32	17	8.5	27.5	0.8	CS21124-3BB0****	500	
0.0033	18	10.5	5	15	0.6	CS21332-3B60****	500	0.15	32	19	9	27.5	0.8	CS21154-3BB0****	500	
0.0039	18	12	5	15	0.6	CS21392-3B60****	500	0.18	32	20	10	27.5	0.8	CS21184-3BB0****	200	
0.0047	18	12	5	15	0.6	CS21472-3B60****	500	0.22	32	21.5	11	27.5	0.8	CS21224-3BB0****	200	
0.0056	18	12	5	15	0.6	CS21562-3B60****	500	0.27	32	23	12.5	27.5	0.8	CS21184-3BB0****	100	
0.0068	18	12	5	15	0.6	CS21682-3B60****	500	0.33	32	24.5	14	27.5	0.8	CS21224-3BB0****	100	
0.0082	18	12	5	15	0.6	CS21822-3B60****	500	0.39	32	26	15.5	27.5	0.8	CS21184-3BB0****	100	
0.01	18	12	5	15	0.6	CS21103-3B60****	500	0.47	32	27.5	17	27.5	0.8	CS21224-3BB0****	100	
0.012	18	12	5	15	0.6	CS21123-3B60****	500	0.56	32	30	19	27.5	0.8	CS21184-3BB0****	100	
0.015	18	12.5	5.5	15	0.6	CS21153-3B60****	500									
0.018	18	12.5	5.5	15	0.6	CS21183-3B60****	500									
0.022	18	12.5	5.5	15	0.6	CS21223-3B60****	500									
0.027	18	13	6	15	0.8	CS21273-3B60****	500									
0.033	18	14	7	15	0.8	CS21333-3B60****	500									
0.039	18	15	7.5	15	0.8	CS21393-3B60****	500									
0.047	18	15.5	8.5	15	0.8	CS21473-3B60****	500									
0.056	18	16.5	9.5	15	0.8	CS21563-3B60****	500									

备注:

“-”: 客户要求的容量偏差

“\*\*\*\*”: 引线加工和包装代码 (见 15 页表 4)

MOQ: 最小订单量

“-”=custom's capacitor tolerance code, J=±5%, K=±10%, M=±20%

“\*\*\*\*”= Lead form and packing code (refer to table 4 in page 15)

MOQ = Minimum order quantity