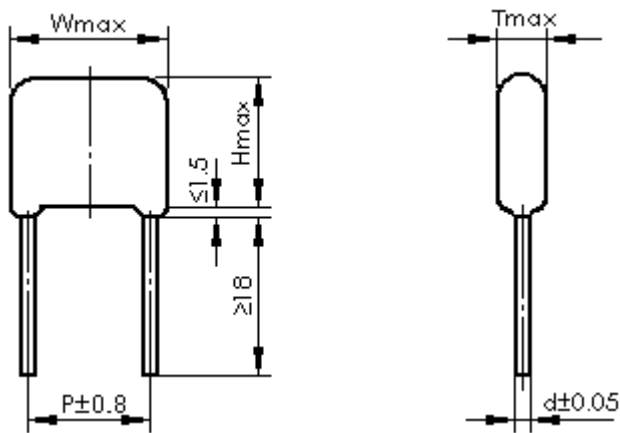


CL21X 型小型化金属化聚酯膜电容器 Miniaturized Metallized Polyester Film Capacitor (Dipped)

◆ 外形尺寸图及产品结构 Outline Drawing and Capacitor Construction



◆ 特点及用途 Application and Feature

金属化聚酯膜，无感卷绕结构，体积小，自愈性好，适用于 LED 电源驱动、直流、脉动、开关电路，电子镇流器和变频器等直流滤波。

Metallized polyester film, non-inductive wound construction, small size and excellent self-healing property. Suitable for LED, the direct current, impulse, As intermediate circuit capacitors for SMPS、Electronic Ballast、inverter.

◆ 技术要求 Specifications

参照标准 Reference Standard	GB 7332、IEC 60384-2
气候类别 Climatic Category	55/105/21
工作温度范围 Operation Temperature Range	-55℃~105℃
额定温度 Rated Temperature	85℃
额定电压 Rated Voltage	250Vdc、400Vdc /450Vdc、520Vdc、630Vdc
电容量范围 Capacitance Range	0.01μF~10.0μF
电容量偏差 Capacitance Tolerance	±5%(J)、±10%(K)、±20%(M) (20℃, 1kHz)
耐电压 Voltage Proof	U=1.6U _R (20℃, 5s)
绝缘电阻 Insulation Resistance	C _R ≤0.33μF, IR≥15 000MΩ C _R >0.33μF, IR×C≥5 000s (20℃, 100V, 1min)
损耗角正切 Dissipation Factor	≤0.0080 (1kHz, 20℃)

说明：电容器的工作电压随温度上升而下降，在 85~105℃之间，以 85℃为基准，环境温度每上升 1℃，电容器的额定工作电压应降低 1.25%。
Note: The working voltage of the capacitor decreases as the temperature rises. between 85~105℃,take 85℃ as the base, the temperature rises 1℃,the rated working voltage of the capacitor decreases 1.25%.

◆ 最大电压脉冲斜率：Max dv/dt (V/μs)

额定电压 (V)	dv/dt(V/μs)			
	P=7.5mm	P=10.0mm	P=15.0mm	P=22.5mm
250	80	60	50	30
400/450	150	120	100	50
520	200	180	150	80
630	350	300	200	100
250 (Miniature)	60	42	40	/
400/450 (Miniature)	120	98	80	/
520 (Miniature)	190	160	135	/
630 (Miniature)	320	270	180	/



CL21X

CL21X series

◆ 产品尺寸: Product Dimension:

250Vdc								400Vdc/450Vdc [▲]							
C (μF)	W	H	T	P	d	产品代码 Part number	MOQ	C (μF)	W	H	T	P	d	产品代码 Part number	MOQ
0.068	9.8	7.5	3.5	7.5	0.5	CL22683-2E30***	1000	0.01	9.8	7.1	3.1	7.5	0.5	CL22103-2G30***	1000
0.082	9.8	7.8	3.8	7.5	0.5	CL22823-2E30***	1000	0.022	9.8	7.6	3.6	7.5	0.5	CL22223-2G30***	1000
0.1	9.8	7.8	3.8	7.5	0.5	CL22104-2E30****	1000	0.033	9.8	7.7	3.7	7.5	0.5	CL22333-2G30****	1000
0.12	9.8	7.6	3.6	7.5	0.5	CL22124-2E30****	1000	0.047	9.8	7.6	3.5	7.5	0.5	CL22473-2G30****	1000
0.15	9.8	8.5	3.7	7.5	0.5	CL22154-2E30****	1000	0.056	9.8	7.4	3.4	7.5	0.5	CL22563-2G30****	1000
0.22	9.8	9.2	4.4	7.5	0.5	CL22224-2E30****	1000	0.068	9.8	7.7	3.7	7.5	0.5	CL22683-2G30****	1000
0.27	9.8	9.7	4.9	7.5	0.5	CL22274-2E30****	1000	0.082	9.8	8.1	4.0	7.5	0.5	CL22823-2G30****	1000
0.33	9.8	10.2	5.4	7.5	0.5	CL22334-2E30****	1000	0.1	9.8	9.0	4.1	7.5	0.5	CL22104-2G30****	1000
0.39	9.8	11.3	6.1	7.5	0.5	CL22394-2E30****	1000	0.15	9.8	10.4	5.2	7.5	0.5	CL22154-2G30****	1000
0.22	12.3	8.1	4.0	10.0	0.6	CL22224-2E40***	500	0.22	9.8	12.0	6.0	7.5	0.5	CL22224-2G30****	1000
0.33	12.3	8.9	4.9	10.0	0.6	CL22334-2E40****	500	0.1	12.3	7.9	3.8	10.0	0.6	CL22104-2G40****	500
0.39	12.3	10.3	4.7	10.0	0.6	CL22394-2E40****	500	0.12	12.3	8.2	4.1	10.0	0.6	CL22124-2G40****	500
0.47	12.3	10.8	5.2	10.0	0.6	CL22474-2E40****	500	0.15	12.3	9.1	4.3	10.0	0.6	CL22154-2G40****	500
0.56	12.3	11.3	5.7	10.0	0.6	CL22564-2E40****	500	0.22	12.3	10.5	4.9	10.0	0.6	CL22224-2G40****	500
0.68	12.3	11.9	6.3	10.0	0.6	CL22684-2E40****	500	0.27	12.3	11.1	5.5	10.0	0.6	CL22274-2G40****	500
0.82	12.3	12.6	7.0	10.0	0.6	CL22824-2E40****	500	0.33	12.3	12.7	5.5	10.0	0.6	CL22334-2G40****	500
1	12.3	14.9	7.4	10.0	0.6	CL22105-2E40****	500	0.39	12.3	13.2	6.1	10.0	0.6	CL22394-2G40****	500
0.47	17.5	10.0	4.3	15.0	0.6	CL22474-2E60****	500	0.22	17.5	9.2	4.3	15.0	0.6	CL22224-2G60****	500
0.56	17.5	10.3	4.6	15.0	0.6	CL22564-2E60****	500	0.27	17.5	9.6	4.7	15.0	0.6	CL22274-2G60****	500
0.68	17.5	10.8	5.0	15.0	0.6	CL22684-2E60****	500	0.33	17.5	10.6	4.9	15.0	0.6	CL22334-2G60****	500
0.82	17.5	11.2	5.5	15.0	0.6	CL22824-2E60****	500	0.39	17.5	11.0	5.3	15.0	0.6	CL22394-2G60****	500
1	17.5	11.8	6.1	15.0	0.8	CL22105-2E60****	500	0.47	17.5	12.6	5.3	15.0	0.8	CL22474-2G60****	500
1.2	17.5	13.4	6.2	15.0	0.8	CL22125-2E60****	500	0.56	17.5	13.1	5.8	15.0	0.8	CL22564-2G60****	500
1.5	17.5	14.2	6.9	15.0	0.8	CL22155-2E60****	500	0.68	17.5	14.8	5.9	15.0	0.8	CL22684-2G60****	500
1.8	17.5	15.0	7.7	15.0	0.8	CL22185-2E60****	500	0.82	17.5	14.4	7.1	15.0	0.8	CL22824-2G60****	500
2.2	17.5	16.8	8.0	15.0	0.8	CL22225-2E60****	500	1	17.5	16.4	7.9	15.0	0.8	CL22105-2G60****	500
3.3	17.5	20.4	10.0	15.0	0.8	CL22335-2E60****	500	1.2	17.5	16.0	8.7	15.0	0.8	CL22125-2G60****	500
1	25.5	10.7	5.0	22.5	0.8	CL22105-2E90****	500	1.5	17.5	18.6	9.7	15.0	0.8	CL22155-2G60****	500
1.2	25.5	12.3	5.0	22.5	0.8	CL22125-2E90****	500	1.8	17.5	19.6	10.8	15.0	0.8	CL22185-2G60****	500
1.5	25.5	12.8	5.5	22.5	0.8	CL22155-2E90****	500	0.47	25.5	10.4	4.7	22.5	0.8	CL22474-2G90****	500
1.8	25.5	13.4	6.1	22.5	0.8	CL22185-2E90****	500	0.56	25.5	10.9	5.1	22.5	0.8	CL22564-2G90****	500
2.2	25.5	14.1	6.8	22.5	0.8	CL22225-2E90****	500	0.68	25.5	12.4	5.2	22.5	0.8	CL22684-2G90****	500
3.3	25.5	16.8	7.9	22.5	0.8	CL22335-2E90****	500	0.82	25.5	13.0	5.7	22.5	0.8	CL22824-2G90****	500
4.7	25.5	19.5	9.1	22.5	0.8	CL22475-2E90****	500	1	25.5	13.6	6.3	22.5	0.8	CL22105-2G90****	500
5.6	25.5	20.5	10.1	22.5	0.8	CL22565-2E90****	200	1.2	25.5	14.2	7.0	22.5	0.8	CL22125-2G90****	500
6.8	25.5	21.8	11.3	22.5	0.8	CL22685-2E90****	200	1.5	25.5	16.1	7.3	22.5	0.8	CL22155-2G90****	500
8.2	25.5	23.1	12.7	22.5	0.8	CL22825-2E90****	200	1.8	25.5	16.9	8.1	22.5	0.8	CL22185-2G90****	500
10	25.5	24.6	14.2	22.5	0.8	CL22106-2E90****	200	2.2	25.5	18.9	8.5	22.5	0.8	CL22225-2G90****	500
								3.3	25.5	21.2	10.8	22.5	0.8	CL22335-2G90****	200

备注:

“-”: 客户要求的容量偏差

“****”: 引线加工和包装代码 (见 15 页表 4)

“▲”: 当额定电压为 450Vdc 时, 第 9~10 位为 2S

MOQ: 最小订单量

“-”=custom's capacitor tolerance code, J=±5%, K=±10%, M=±20%

“****”= Lead form and packing code (refer to table 4 in page 15)

“▲”=when the rated voltage is 450Vdc, the digit 9~10 is 2S

MOQ = Minimum order quantity

◆ 产品尺寸: Product Dimension:

520Vdc								630Vdc							
C (μ F)	W	H	T	P	d	产品代码 Part number	MOQ	C (μ F)	W	H	T	P	d	产品代码 Part number	MOQ
0.022	9.8	7.5	3.4	7.5	0.5	CL22223-2T30****	1000	0.01	9.8	7.5	3.7	7.5	0.5	CL22103-2J30****	1000
0.027	9.8	7.8	3.7	7.5	0.5	CL22273-2T30****	1000	0.012	9.8	7.8	3.9	7.5	0.5	CL22123-2J30****	1000
0.033	9.8	8.6	3.8	7.5	0.5	CL22333-2T30****	1000	0.015	9.8	7.4	3.5	7.5	0.5	CL22153-2J30****	1000
0.039	9.8	8.9	4.1	7.5	0.5	CL22393-2T30****	1000	0.018	9.8	7.6	3.8	7.5	0.5	CL22183-2J30****	1000
0.047	9.8	9.3	4.5	7.5	0.5	CL22473-2T30****	1000	0.022	9.8	7.9	4.1	7.5	0.5	CL22223-2J30****	1000
0.056	9.8	9.7	4.9	7.5	0.5	CL22563-2T30****	1000	0.027	9.8	8.3	4.4	7.5	0.5	CL22273-2J30****	1000
0.068	9.8	11.3	5.3	7.5	0.5	CL22683-2T30****	1000	0.033	9.8	9.2	4.6	7.5	0.5	CL22333-2J30****	1000
0.082	9.8	11.8	5.8	7.5	0.5	CL22823-2T30****	1000	0.047	9.8	10.6	5.4	7.5	0.5	CL22473-2J30****	1000
0.047	12.3	8.6	3.8	10.0	0.6	CL22473-2T40****	500	0.056	9.8	11.0	5.8	7.5	0.5	CL22563-2J30****	1000
0.056	12.3	8.9	4.1	10.0	0.6	CL22563-2T40****	500	0.068	9.8	11.6	6.4	7.5	0.5	CL22683-2J30****	1000
0.068	12.3	9.3	4.5	10.0	0.6	CL22683-2T40****	500	0.047	12.3	9.7	4.3	10.0	0.6	CL22473-2J40****	500
0.082	12.3	9.7	4.9	10.0	0.6	CL22823-2T40****	500	0.056	12.3	10.1	4.7	10.0	0.6	CL22563-2J40****	500
0.1	12.3	10.7	5.1	10.0	0.6	CL22104-2T40****	500	0.068	12.3	10.5	5.1	10.0	0.6	CL22683-2J40****	500
0.12	12.3	11.2	5.6	10.0	0.6	CL22124-2T40****	500	0.082	12.3	11.0	5.6	10.0	0.6	CL22823-2J40****	500
0.15	12.3	11.9	6.3	10.0	0.6	CL22154-2T40****	500	0.1	12.3	11.6	6.1	10.0	0.6	CL22104-2J40****	500
0.18	12.3	13.2	7.2	10.0	0.6	CL22184-2T40****	500	0.12	12.3	13.8	6.2	10.0	0.6	CL22124-2J40****	500
0.1	17.5	9.3	4.3	15.0	0.6	CL22104-2T60****	500	0.1	17.5	10.4	4.7	15.0	0.6	CL22104-2J60****	500
0.12	17.5	9.6	4.7	15.0	0.6	CL22124-2T60****	500	0.12	17.5	10.8	5.1	15.0	0.6	CL22124-2J60****	500
0.15	17.5	10.1	5.2	15.0	0.6	CL22154-2T60****	500	0.15	17.5	12.5	5.2	15.0	0.6	CL22154-2J60****	500
0.18	17.5	11.1	5.4	15.0	0.6	CL22184-2T60****	500	0.18	17.5	12.9	5.7	15.0	0.6	CL22184-2J60****	500
0.22	17.5	11.6	5.9	15.0	0.8	CL22224-2T60****	500	0.22	17.5	13.6	6.3	15.0	0.8	CL22224-2J60****	500
0.33	17.5	14.0	6.7	15.0	0.8	CL22334-2T60****	500	0.27	17.5	14.3	7.0	15.0	0.8	CL22274-2J60****	500
0.39	17.5	14.6	7.3	15.0	0.8	CL22394-2T60****	500	0.33	17.5	15.1	7.8	15.0	0.8	CL22334-2J60****	500
0.47	17.5	15.4	8.1	15.0	0.8	CL22474-2T60****	500	0.39	17.5	15.8	8.5	15.0	0.8	CL22394-2J60****	500
0.56	17.5	16.2	8.9	15.0	0.8	CL22564-2T60****	500	0.47	17.5	16.7	9.4	15.0	0.8	CL22474-2J60****	500
0.68	17.5	18.6	9.8	15.0	0.8	CL22684-2T60****	500	0.56	17.5	19.1	10.2	15.0	0.8	CL22564-2J60****	500
0.82	17.5	19.6	10.8	15.0	0.8	CL22824-2T60****	500	0.22	25.5	12.3	5.0	22.5	0.8	CL22224-2J90****	500
0.33	25.5	12.4	5.2	22.5	0.8	CL22334-2T90****	500	0.27	25.5	12.7	5.4	22.5	0.8	CL22274-2J90****	500
0.39	25.5	12.9	5.6	22.5	0.8	CL22394-2T90****	500	0.33	25.5	13.3	6.0	22.5	0.8	CL22334-2J90****	500
0.47	25.5	13.5	6.2	22.5	0.8	CL22474-2T90****	500	0.39	25.5	13.8	6.5	22.5	0.8	CL22394-2J90****	500
0.56	25.5	14.1	6.8	22.5	0.8	CL22564-2T90****	500	0.47	25.5	14.5	7.2	22.5	0.8	CL22474-2J90****	500
0.68	25.5	15.8	7.0	22.5	0.8	CL22684-2T90****	500	0.56	25.5	15.2	7.9	22.5	0.8	CL22564-2J90****	500
0.82	25.5	16.6	7.8	22.5	0.8	CL22824-2T90****	500	0.68	25.5	17.0	8.2	22.5	0.8	CL22684-2J90****	500
1	25.5	18.6	8.1	22.5	0.8	CL22105-2T90****	500	0.82	25.5	17.9	9.1	22.5	0.8	CL22824-2J90****	500
1.2	25.5	19.5	9.0	22.5	0.8	CL22125-2T90****	500	1	25.5	20.0	9.6	22.5	0.8	CL22105-2J90****	500
1.5	25.5	20.7	10.3	22.5	0.8	CL22155-2T90****	200	1.2	25.5	21.1	10.7	22.5	0.8	CL22125-2J90****	200
1.8	25.5	21.9	11.5	22.5	0.8	CL22184-2T90****	200	1.5	25.5	22.5	12.1	22.5	0.8	CL22155-2J90****	200
2.2	25.5	23.3	12.9	22.5	0.8	CL22225-2T90****	200								

备注:

“-”: 客户要求的容量偏差

“****”: 引线加工和包装代码 (见 15 页表 4)

MOQ: 最小订单量

“-”=custom's capacitor tolerance code, J=±5%, K=±10%, M=±20%

“****”= Lead form and packing code (refer to table 4 in page 15)

MOQ = Minimum order quantity



CL21X

CL21X series

◆ 小型化: Miniature version:

250Vdc								400Vdc/450Vdc [▲]							
C (μF)	W	H	T	P	d	产品代码 Part number	MOQ	C (μF)	W	H	T	P	d	产品代码 Part number	MOQ
0.15	9.8	7.4	3.4	7.5	0.5	CL22154-2E3S****	1000	0.068	9.8	7.4	3.3	7.5	0.5	CL22683-2G3S****	500
0.18	9.8	7.7	3.7	7.5	0.5	CL22184-2E3S****	1000	0.082	9.8	7.6	3.6	7.5	0.5	CL22823-2G3S****	500
0.22	9.8	8.1	4.0	7.5	0.5	CL22224-2E3S****	1000	0.1	9.8	8.0	3.9	7.5	0.5	CL22104-2G3S****	500
0.27	9.8	8.5	4.4	7.5	0.5	CL22274-2E3S****	1000	0.15	9.8	8.8	4.7	7.5	0.5	CL22154-2G3S****	500
0.33	9.8	9.4	4.6	7.5	0.5	CL22334-2E3S****	1000	0.18	9.8	9.2	5.2	7.5	0.5	CL22184-2G3S****	500
0.39	9.8	9.8	5.0	7.5	0.5	CL22394-2E3S****	1000	0.22	9.8	9.7	5.7	7.5	0.5	CL22224-2G3S****	500
0.47	9.8	11.4	5.4	7.5	0.5	CL22474-2E3S****	1000	0.27	9.8	11.1	6.2	7.5	0.5	CL22274-2G3S****	500
0.56	9.8	11.9	5.9	7.5	0.5	CL22564-2E3S****	1000	0.33	9.8	11.7	6.8	7.5	0.5	CL22334-2G3S****	500
0.68	9.8	12.5	6.5	7.5	0.5	CL22684-2E3S****	1000	0.1	12.3	7.6	3.5	10.0	0.6	CL22104-2G4S****	500
0.22	12.3	7.6	3.6	10.0	0.6	CL22224-2E4S****	500	0.12	12.3	7.8	3.8	10.0	0.6	CL22124-2G4S****	500
0.27	12.3	7.9	3.8	10.0	0.6	CL22274-2E4S****	500	0.15	12.3	8.2	4.1	10.0	0.6	CL22154-2G4S****	500
0.33	12.3	8.3	4.2	10.0	0.6	CL22334-2E4S****	500	0.22	12.3	10.0	4.4	10.0	0.6	CL22224-2G4S****	500
0.39	12.3	9.1	4.3	10.0	0.6	CL22394-2E4S****	500	0.27	12.3	10.5	4.9	10.0	0.6	CL22274-2G4S****	500
0.47	12.3	9.5	4.7	10.0	0.6	CL22474-2E4S****	500	0.33	12.3	11.3	5.6	10.0	0.6	CL22334-2G4S****	500
0.56	12.3	9.9	5.1	10.0	0.6	CL22564-2E4S****	500	0.39	12.3	11.8	6.1	10.0	0.6	CL22394-2G4S****	500
0.68	12.3	11.3	5.4	10.0	0.6	CL22684-2E4S****	500	0.47	12.3	13.4	6.1	10.0	0.6	CL22474-2G4S****	500
0.82	12.3	11.8	5.9	10.0	0.6	CL22824-2E4S****	500	0.33	17.5	10.1	4.4	15.0	0.6	CL22334-2G6S****	500
1	12.3	13.8	6.5	10.0	0.6	CL22105-2E4S****	500	0.39	17.5	10.4	4.7	15.0	0.6	CL22394-2G6S****	500
0.68	17.5	10.0	4.3	15.0	0.6	CL22684-2E6S****	500	0.47	17.5	10.9	5.2	15.0	0.6	CL22474-2G6S****	500
0.82	17.5	10.4	4.7	15.0	0.6	CL22824-2E6S****	500	0.56	17.5	11.4	5.7	15.0	0.8	CL22564-2G6S****	500
1	17.5	11.2	5.5	15.0	0.8	CL22105-2E6S****	500	0.68	17.5	11.9	6.2	15.0	0.8	CL22684-2G6S****	500
1.2	17.5	11.7	6.0	15.0	0.8	CL22125-2E6S****	500	0.82	17.5	13.6	6.3	15.0	0.8	CL22824-2G6S****	500
1.5	17.5	12.4	6.7	15.0	0.8	CL22155-2E6S****	500	1	17.5	14.6	7.3	15.0	0.8	CL22105-2G6S****	500
1.8	17.5	14.2	7.0	15.0	0.8	CL22185-2E6S****	500	1.2	17.5	15.3	8.0	15.0	0.8	CL22125-2G6S****	500
2.2	17.5	15.2	7.7	15.0	0.8	CL22225-2E6S****	500	1.5	17.5	16.5	9.2	15.0	0.8	CL22155-2G6S****	500
3.3	17.5	17.3	9.7	15.0	0.8	CL22335-2E6S****	500	1.8	17.5	17.6	10.2	15.0	0.8	CL22185-2G6S****	500
								2.2	17.5	19.0	11.5	15.0	0.8	CL22225-2G6S****	500

备注:

“-”: 客户要求的容量偏差

“****”: 引线加工和包装代码 (见 15 页表 4)

“▲”: 当额定电压为 450Vdc 时, 第 9~10 位为 2S

MOQ: 最小订单量

“-”=custom's capacitor tolerance code, J=±5%, K=±10%, M=±20%

“****”= Lead form and packing code (refer to table 4 in page 15)

“▲”=when the rated voltage is 450Vdc, the digit 9~10 is 2S

MOQ = Minimum order quantity

◆ 小型化: Miniature version:

520Vdc								630Vdc							
C (μ F)	W	H	T	P	d	产品代码 Part number	MOQ	C (μ F)	W	H	T	P	d	产品代码 Part number	MOQ
0.027	9.8	7.4	3.3	7.5	0.5	CL22273-2T3S****	1000	0.022	9.8	7.6	3.5	7.5	0.5	CL22223-2J3S****	500
0.033	9.8	7.7	3.6	7.5	0.5	CL22333-2T3S****	1000	0.027	9.8	7.9	3.8	7.5	0.5	CL22273-2J3S****	500
0.039	9.8	7.9	3.9	7.5	0.5	CL22393-2T3S****	1000	0.033	9.8	8.2	4.2	7.5	0.5	CL22333-2J3S****	500
0.047	9.8	8.3	4.2	7.5	0.5	CL22473-2T3S****	1000	0.047	9.8	9.0	4.9	7.5	0.5	CL22473-2J3S****	500
0.056	9.8	8.6	4.6	7.5	0.5	CL22563-2T3S****	1000	0.056	9.8	9.4	5.3	7.5	0.5	CL22563-2J3S****	500
0.068	9.8	9.1	5.0	7.5	0.5	CL22683-2T3S****	1000	0.068	9.8	11.2	5.2	7.5	0.5	CL22683-2J3S****	500
0.082	9.8	9.5	5.5	7.5	0.5	CL22823-2T3S****	1000	0.082	9.8	11.7	6.0	7.5	0.5	CL22823-2J3S****	500
0.1	9.8	11.3	5.6	7.5	0.5	CL22104-2T3S****	1000	0.033	12.3	7.6	3.8	10.0	0.6	CL22333-2J4S****	500
0.047	12.3	7.6	3.6	10.0	0.6	CL22473-2T4S****	500	0.039	12.3	7.9	4.0	10.0	0.6	CL22393-2J4S****	500
0.056	12.3	7.9	3.9	10.0	0.6	CL22563-2T4S****	500	0.047	12.3	8.2	4.4	10.0	0.6	CL22473-2J4S****	500
0.068	12.3	8.3	4.2	10.0	0.6	CL22683-2T4S****	500	0.056	12.3	8.5	4.7	10.0	0.6	CL22563-2J4S****	500
0.082	12.3	9.2	4.3	10.0	0.6	CL22823-2T4S****	500	0.068	12.3	9.5	4.8	10.0	0.6	CL22683-2J4S****	500
0.1	12.3	9.6	4.8	10.0	0.6	CL22104-2T4S****	500	0.082	12.3	9.9	5.3	10.0	0.6	CL22823-2J4S****	500
0.12	12.3	10.5	4.9	10.0	0.6	CL22124-2T4S****	500	0.1	12.3	10.4	5.8	10.0	0.6	CL22104-2J4S****	500
0.15	12.3	11.1	5.5	10.0	0.6	CL22154-2T4S****	500	0.12	12.3	10.9	6.3	10.0	0.6	CL22124-2J4S****	500
0.18	12.3	12.3	6.3	10.0	0.6	CL22184-2T4S****	500	0.15	12.3	11.7	7.0	10.0	0.6	CL22154-2J4S****	500
0.22	12.3	13.6	6.4	10.0	0.6	CL22224-2T4S****	500	0.18	12.3	13.1	7.4	10.0	0.6	CL22184-2J4S****	500
0.15	17.5	10.1	4.4	15.0	0.6	CL22154-2T6S****	500	0.1	17.5	9.9	4.2	15.0	0.6	CL22104-2J6S****	500
0.18	17.5	10.5	4.7	15.0	0.6	CL22184-2T6S****	500	0.12	17.5	10.3	4.6	15.0	0.6	CL22124-2J6S****	500
0.22	17.5	10.9	5.2	15.0	0.8	CL22224-2T6S****	500	0.15	17.5	10.8	5.1	15.0	0.6	CL22154-2J6S****	500
0.33	17.5	12.1	6.4	15.0	0.8	CL22334-2T6S****	500	0.18	17.5	11.3	5.5	15.0	0.6	CL22184-2J6S****	500
0.39	17.5	13.7	6.4	15.0	0.8	CL22394-2T6S****	500	0.22	17.5	11.8	6.1	15.0	0.8	CL22224-2J6S****	500
0.47	17.5	14.3	7.0	15.0	0.8	CL22474-2T6S****	500	0.27	17.5	13.5	6.2	15.0	0.8	CL22274-2J6S****	500
0.56	17.5	15.0	7.7	15.0	0.8	CL22564-2T6S****	500	0.33	17.5	14.2	6.9	15.0	0.8	CL22334-2J6S****	500
0.68	17.5	15.5	8.2	15.0	0.8	CL22684-2T6S****	500	0.39	17.5	14.8	7.6	15.0	0.8	CL22394-2J6S****	500
0.82	17.5	16.4	9.1	15.0	0.8	CL22824-2T6S****	500	0.47	17.5	15.6	8.4	15.0	0.8	CL22474-2J6S****	500
1	17.5	18.2	10.6	15.0	0.8	CL22105-2T6S****	500	0.56	17.5	16.5	9.2	15.0	0.8	CL22564-2J6S****	500
								0.68	17.5	18.7	9.6	15.0	0.8	CL22684-2J6S****	500

备注:

“-”: 客户要求的容量偏差

“****”: 引线加工和包装代码 (见 15 页表 4)

MOQ: 最小订单量

“-”=custom's capacitor tolerance code, J=±5%, K=±10%, M=±20%

“****”= Lead form and packing code (refer to table 4 in page 15)

MOQ = Minimum order quantity