

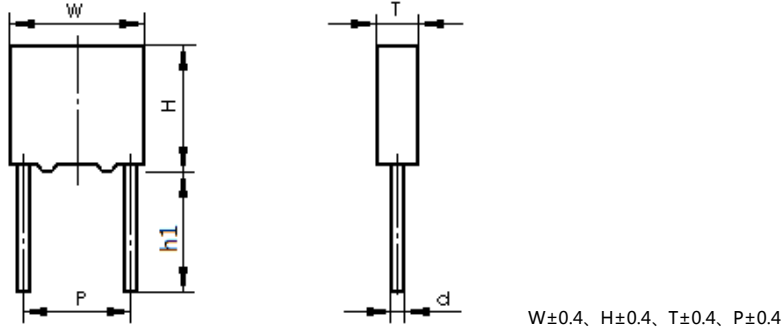


CBB25  
CBB25 series

## CBB25 型盒式金属化聚丙烯薄膜电容器

### Metallized Polypropylene Film Capacitor (Box-Type)

#### ◆ 外形尺寸图及产品结构 Outline Drawing and Capacitor Construction



#### ◆ 特点及用途 Application and Feature

金属化聚丙烯膜，耐压高，适用于开关电源、电子镇流器和变频器等直流滤波(PFC、DC-Link 等)。  
Metallized polypropylene film, high-voltage proof. Suitable for the DC filter, DC-blocking circuit (PFC, DC-Link).

#### ◆ 技术要求 Specifications

参照标准 Reference Standard	GB 10190、IEC 60384-16
气候类别 Climatic Category	40/105/56
工作温度范围 Operation Temperature Range	-40℃~105℃
额定温度 Rated Temperature	85℃
额定电压 Rated Voltage	400Vdc/450Vdc、520Vdc、630Vdc
电容量范围 Capacitance Range	0.027μF~10.0μF
电容量偏差 Capacitance Tolerance	±5%(J)、±10%(K)、±20%(M) (20℃, 1kHz)
耐电压 Voltage Proof	U=1.6U <sub>R</sub> , 5s(20℃)
绝缘电阻 Insulation Resistance	C <sub>R</sub> ≤0.33μF, IR≥100 000MΩ C <sub>R</sub> >0.33μF, IR×C≥30 000s (20℃, 100Vdc, 1min)
损耗角正切 Dissipation Factor	1kHz: Tan δ≤0.0010 10kHz: Tan δ≤0.0030 (C <sub>R</sub> ≤1μF)
说明：电容器的工作电压随温度上升而下降，在 85~105℃之间，以 85℃为基准，环境温度每上升 1℃，电容器的额定工作电压应降低 1.25%。 Note: The working voltage of the capacitor decreases as the temperature rises. between 85~105℃,take 85℃ as the base, the temperature rises 1℃,the rated working voltage of the capacitor decreases 1.25%.	

#### ◆ 最大电压脉冲斜率：Max dv/dt (V/μs)

额定电压 (Vdc)	Max dv/dt (V/μs)			
	P=10.0	P=15.0	P=22.5	P=27.5
400/450	300	200	100	80
520	350	220	150	100
630	400	300	180	120
400/450 Miniature	100	65	35	20
520 Miniature	120	80	60	40
630 Miniature	200	160	70	50

◆ 产品尺寸: Product Dimension:

400Vdc/450Vdc <sup>▲</sup>																
C (μF)	W	H	T	P	d	产品代码 Part number	MOQ	C (μF)	W	H	T	P	d	产品代码 Part number	MOQ	
0.068	13.0	9.0	4.0	10.0	0.6	CB25683-2G40****	500	0.22	26.5	15.0	6.0	22.5	0.8	CB25224-2G90****	500	
0.082	13.0	9.0	4.0	10.0	0.6	CB25823-2G40****	500	0.27	26.5	15.0	6.0	22.5	0.8	CB25274-2G90****	500	
0.10	13.0	11.0	5.0	10.0	0.6	CB25104-2G40****	500	0.33	26.5	15.0	6.0	22.5	0.8	CB25334-2G90****	500	
0.12	13.0	11.0	5.0	10.0	0.6	CB25124-2G40****	500	0.39	26.5	15.0	6.0	22.5	0.8	CB25394-2G90****	500	
0.15	13.0	12.0	6.0	10.0	0.6	CB25154-2G40****	500	0.47	26.5	15.0	6.0	22.5	0.8	CB25474-2G90****	500	
0.18	13.0	12.0	6.0	10.0	0.6	CB25184-2G40****	500	0.56	26.5	15.0	6.0	22.5	0.8	CB25564-2G90****	500	
0.22	13.0	13.0	7.0	10.0	0.6	CB25224-2G40****	500	0.68	26.5	15.0	6.0	22.5	0.8	CB25684-2G90****	500	
0.27	13.0	13.0	7.0	10.0	0.6	CB25274-2G40****	500	0.82	26.5	16.0	7.0	22.5	0.8	CB25824-2G90****	500	
0.33	13.0	14.0	8.0	10.0	0.6	CB25334-2G40****	500	1.0	26.5	17.0	8.5	22.5	0.8	CB25105-2G90****	500	
0.10	18.0	11.0	5.0	15.0	0.6	CB25104-2G60****	500	1.2	26.5	18.5	10.0	22.5	0.8	CB25125-2G90****	200	
0.12	18.0	11.0	5.0	15.0	0.6	CB25124-2G60****	500	1.8	26.5	20.0	11.0	22.5	0.8	CB25185-2G90****	200	
0.15	18.0	11.0	5.0	15.0	0.6	CB25154-2G60****	500	2.2	26.5	22.0	12.0	22.5	0.8	CB25225-2G90****	500	
0.18	18.0	11.0	5.0	15.0	0.6	CB25184-2G60****	500	0.68	32.0	18.0	9.0	27.5	0.8	CB25684-2GB0****	500	
0.22	18.0	11.0	5.0	15.0	0.6	CB25224-2G60****	500	0.82	32.0	18.0	9.0	27.5	0.8	CB25824-2GB0****	500	
0.27	18.0	12.0	6.0	15.0	0.6	CB25274-2G60****	500	1.0	32.0	18.0	9.0	27.5	0.8	CB25105-2GB0****	500	
0.33	18.0	12.0	6.0	15.0	0.6	CB25334-2G60****	500	1.2	32.0	18.0	9.0	27.5	0.8	CB25125-2GB0****	500	
0.39	18.0	13.5	7.5	15.0	0.6	CB25394-2G60****	500	1.5	32.0	18.0	9.0	27.5	0.8	CB25155-2GB0****	500	
0.47	18.0	13.5	7.5	15.0	0.6	CB25474-2G60****	500	1.8	32.0	20.0	11.0	27.5	0.8	CB25185-2GB0****	200	
0.56	18.0	13.5	7.5	15.0	0.6	CB25564-2G60****	500	2.2	32.0	20.0	11.0	27.5	0.8	CB25225-2GB0****	200	
0.68	18.0	14.5	8.5	15.0	0.8	CB25684-2G60****	500	2.7	32.0	22.0	13.0	27.5	0.8	CB25275-2GB0****	100	
0.82	18.0	16.0	10.0	15.0	0.8	CB25824-2G60****	500	3.3	32.0	22.0	13.0	27.5	0.8	CB25335-2GB0****	100	
1.00	18.0	19.0	11.0	15.0	0.8	CB25105-2G60****	200	3.9	32.0	24.5	15.0	27.5	0.8	CB25395-2GB0****	100	
								4.7	32.0	28.0	17.0	27.5	0.8	CB25475-2GB0****	50	
								5.6	32.0	33.0	18.0	27.5	0.8	CB25565-2GB0****	50	
								6.8	32.0	33.0	18.0	27.5	0.8	CB25685-2GB0****	50	
								8.2	32.0	33.0	18.0	27.5	0.8	CB25825-2GB0****	50	
								10.0	32.0	37.0	22.0	27.5	0.8	CB25106-2GB0****	50	

备注:

“-”: 客户要求的容量偏差

“\*\*\*\*”: 引线加工和包装代码 (见 15 页表 4)

“▲”: 当额定电压为 450Vdc 时, 第 9~10 位为 2S

MOQ: 最小订单量

“-”=custom’s capacitor tolerance code, J=±5%, K=±10%, M=±20%

“\*\*\*\*”= Lead form and packing code (refer to table 4 in page 15)

“▲”=when the rated voltage is 450Vdc, the digit 9~10 is 2S

MOQ = Minimum order quantity



# CBB25

CBB25 series

◆ 产品尺寸: Product Dimension:

520Vdc															
C (μF)	W	H	T	P	d	产品代码 Part number	MOQ	C (μF)	W	H	T	P	d	产品代码 Part number	MOQ
0.047	13.0	9.0	4.0	10.0	0.6	CB25473-2T40****	500	0.18	26.5	15.0	6.0	22.5	0.8	CB25184-2T90****	500
0.056	13.0	9.0	4.0	10.0	0.6	CB25563-2T40****	500	0.22	26.5	15.0	6.0	22.5	0.8	CB25224-2T90****	500
0.068	13.0	9.0	4.0	10.0	0.6	CB25683-2T40****	500	0.27	26.5	15.0	6.0	22.5	0.8	CB25274-2T90****	500
0.082	13.0	11.0	5.0	10.0	0.6	CB25823-2T40****	500	0.33	26.5	15.0	6.0	22.5	0.8	CB25334-2T90****	500
0.10	13.0	11.0	5.0	10.0	0.6	CB25104-2T40****	500	0.39	26.5	15.0	6.0	22.5	0.8	CB25394-2T90****	500
0.12	13.0	12.0	6.0	10.0	0.6	CB25124-2T40****	500	0.47	26.5	15.0	6.0	22.5	0.8	CB25474-2T90****	500
0.15	13.0	12.0	6.0	10.0	0.6	CB25154-2T40****	500	0.56	26.5	16.0	7.0	22.5	0.8	CB25564-2T90****	500
0.18	13.0	13.0	7.0	10.0	0.6	CB25184-2T40****	500	0.68	26.5	16.0	7.0	22.5	0.8	CB25684-2T90****	500
0.22	13.0	13.0	7.0	10.0	0.6	CB25224-2T40****	500	0.82	26.5	17.0	8.5	22.5	0.8	CB25824-2T90****	500
0.27	13.0	14.0	8.0	10.0	0.6	CB25274-2T40****	500	1.0	26.5	18.5	10.0	22.5	0.8	CB25105-2T90****	200
0.033	18.0	11.0	5.0	15.0	0.6	CB25333-2T60****	500	1.2	26.5	18.5	10.0	22.5	0.8	CB25125-2T90****	200
0.039	18.0	11.0	5.0	15.0	0.6	CB25393-2T60****	500	1.5	26.5	20.0	11.0	22.5	0.8	CB25155-2T90****	200
0.047	18.0	11.0	5.0	15.0	0.6	CB25473-2T60****	500	1.8	26.5	22.0	12.0	22.5	0.8	CB25185-2T90****	200
0.056	18.0	11.0	5.0	15.0	0.6	CB25563-2T60****	500	2.2	26.5	22.0	12.0	22.5	0.8	CB25225-2T90****	200
0.068	18.0	11.0	5.0	15.0	0.6	CB25683-2T60****	500	0.22	32.0	18.0	9.0	27.5	0.8	CB25224-2TB0****	500
0.082	18.0	11.0	5.0	15.0	0.6	CB25823-2T60****	500	0.27	32.0	18.0	9.0	27.5	0.8	CB25274-2TB0****	500
0.10	18.0	11.0	5.0	15.0	0.6	CB25104-2T60****	500	0.33	32.0	18.0	9.0	27.5	0.8	CB25334-2TB0****	500
0.12	18.0	11.0	5.0	15.0	0.6	CB25124-2T60****	500	0.39	32.0	18.0	9.0	27.5	0.8	CB25394-2TB0****	500
0.15	18.0	11.0	5.0	15.0	0.6	CB25154-2T60****	500	0.47	32.0	18.0	9.0	27.5	0.8	CB25474-2TB0****	500
0.18	18.0	11.0	5.0	15.0	0.6	CB25184-2T60****	500	0.56	32.0	18.0	9.0	27.5	0.8	CB25564-2TB0****	500
0.22	18.0	12.0	6.0	15.0	0.6	CB25224-2T60****	500	0.68	32.0	18.0	9.0	27.5	0.8	CB25684-2TB0****	500
0.27	18.0	12.0	6.0	15.0	0.6	CB25274-2T60****	500	0.82	32.0	18.0	9.0	27.5	0.8	CB25824-2TB0****	500
0.33	18.0	13.5	7.5	15.0	0.6	CB25334-2T60****	500	1.0	32.0	18.0	9.0	27.5	0.8	CB25105-2TB0****	500
0.39	18.0	13.5	7.5	15.0	0.6	CB25394-2T60****	500	1.2	32.0	18.0	9.0	27.5	0.8	CB25125-2TB0****	500
0.47	18.0	14.5	8.5	15.0	0.8	CB25474-2T60****	500	1.5	32.0	20.0	11.0	27.5	0.8	CB25155-2TB0****	200
0.56	18.0	14.5	8.5	15.0	0.8	CB25564-2T60****	500	1.8	32.0	20.0	11.0	27.5	0.8	CB25185-2TB0****	200
0.68	18.0	16.0	10.0	15.0	0.8	CB25684-2T60****	500	2.2	32.0	22.0	13.0	27.5	0.8	CB25225-2TB0****	100
0.82	18.0	19.0	11.0	15.0	0.8	CB25824-2T60****	500	2.7	32.0	24.5	15.0	27.5	0.8	CB25275-2TB0****	100
1.0	18.0	19.0	11.0	15.0	0.8	CB25105-2T60****	200	3.3	32.0	28.0	14.0	27.5	0.8	CB25335-2TB0****	100
								3.9	32.0	28.0	14.0	27.5	0.8	CB25395-2TB0****	100
								4.7	32.0	33.0	18.0	27.5	0.8	CB25475-2TB0****	50
								5.6	32.0	33.0	18.0	27.5	0.8	CB25565-2TB0****	50
								6.8	32.0	33.0	18.0	27.5	0.8	CB25685-2TB0****	50
								8.2	32.0	37.0	22.0	27.5	0.8	CB25825-2TB0****	50

备注:

“-”: 客户要求的容量偏差

“\*\*\*\*”: 引线加工和包装代码 (见 15 页表 4)

MOQ: 最小订单量

“-”=custom's capacitor tolerance code, J=±5%, K=±10%, M=±20%

“\*\*\*\*”= Lead form and packing code (refer to table 4 in page 15)

MOQ = Minimum order quantity

◆ 产品尺寸: Product Dimension:

630Vdc															
C (μF)	W	H	T	P	d	产品代码 Part number	MOQ	C (μF)	W	H	T	P	d	产品代码 Part number	MOQ
0.027	13.0	9.0	4.0	10.0	0.6	CB25273-2J40****	500	0.15	26.5	15.0	6.0	22.5	0.8	CB25154-2J90****	500
0.033	13.0	9.0	4.0	10.0	0.6	CB25333-2J40****	500	0.18	26.5	15.0	6.0	22.5	0.8	CB25184-2J90****	500
0.039	13.0	9.0	4.0	10.0	0.6	CB25393-2J40****	500	0.22	26.5	15.0	6.0	22.5	0.8	CB25224-2J90****	500
0.047	13.0	11.0	5.0	10.0	0.6	CB25473-2J40****	500	0.27	26.5	15.0	6.0	22.5	0.8	CB25274-2J90****	500
0.056	13.0	11.0	5.0	10.0	0.6	CB25563-2J40****	500	0.33	26.5	15.0	6.0	22.5	0.8	CB25334-2J90****	500
0.068	13.0	11.0	5.0	10.0	0.6	CB25683-2J40****	500	0.39	26.5	16.0	7.0	22.5	0.8	CB25394-2J90****	500
0.082	13.0	12.0	6.0	10.0	0.6	CB25823-2J40****	500	0.47	26.5	16.0	7.0	22.5	0.8	CB25474-2J90****	500
0.10	13.0	12.0	6.0	10.0	0.6	CB25104-2J40****	500	0.56	26.5	17.0	8.5	22.5	0.8	CB25564-2J90****	500
0.12	13.0	13.0	7.0	10.0	0.6	CB25124-2J40****	500	0.68	26.5	17.0	8.5	22.5	0.8	CB25684-2J90****	500
0.15	13.0	13.0	7.0	10.0	0.6	CB25154-2J40****	500	0.82	26.5	18.5	10.0	22.5	0.8	CB25824-2J90****	200
0.18	13.0	14.0	8.0	10.0	0.6	CB25184-2J40****	500	1.0	26.5	18.5	10.0	22.5	0.8	CB25105-2J90****	200
0.033	18.0	11.0	5.0	15.0	0.6	CB25333-2J60****	500	1.2	26.5	22.0	12.0	22.5	0.8	CB25125-2J90****	200
0.039	18.0	11.0	5.0	15.0	0.6	CB25393-2J60****	500	0.22	32.0	18.0	9.0	27.5	0.8	CB25224-2JB0****	500
0.047	18.0	11.0	5.0	15.0	0.6	CB25473-2J60****	500	0.27	32.0	18.0	9.0	27.5	0.8	CB25274-2JB0****	500
0.056	18.0	11.0	5.0	15.0	0.6	CB25563-2J60****	500	0.33	32.0	18.0	9.0	27.5	0.8	CB25334-2JB0****	500
0.068	18.0	11.0	5.0	15.0	0.6	CB25683-2J60****	500	0.39	32.0	18.0	9.0	27.5	0.8	CB25394-2JB0****	500
0.082	18.0	11.0	5.0	15.0	0.6	CB25823-2J60****	500	0.47	32.0	18.0	9.0	27.5	0.8	CB25474-2JB0****	500
0.10	18.0	11.0	5.0	15.0	0.6	CB25104-2J60****	500	0.56	32.0	18.0	9.0	27.5	0.8	CB25564-2JB0****	500
0.12	18.0	11.0	5.0	15.0	0.6	CB25124-2J60****	500	0.68	32.0	18.0	9.0	27.5	0.8	CB25684-2JB0****	500
0.15	18.0	12.0	6.0	15.0	0.6	CB25154-2J60****	500	0.82	32.0	18.0	9.0	27.5	0.8	CB25824-2JB0****	500
0.18	18.0	12.0	6.0	15.0	0.6	CB25184-2J60****	500	1.0	32.0	20.0	11.0	27.5	0.8	CB25105-2JB0****	200
0.22	18.0	13.5	7.5	15.0	0.6	CB25224-2J60****	500	1.2	32.0	20.0	11.0	27.5	0.8	CB25125-2JB0****	200
0.27	18.0	13.5	7.5	15.0	0.6	CB25274-2J60****	500	1.5	32.0	22.0	13.0	27.5	0.8	CB25155-2JB0****	100
0.33	18.0	14.5	8.5	15.0	0.8	CB25334-2J60****	500	1.8	32.0	22.0	13.0	27.5	0.8	CB25185-2JB0****	100
0.39	18.0	16.0	10.0	15.0	0.8	CB25394-2J60****	500	2.2	32.0	24.5	15.0	27.5	0.8	CB25225-2JB0****	100
0.47	18.0	16.0	10.0	15.0	0.8	CB25474-2J60****	500	2.7	32.0	28.0	14.0	27.5	0.8	CB25275-2JB0****	100
0.56	18.0	19.0	11.0	15.0	0.8	CB25564-2J60****	200	3.3	32.0	33.0	18.0	27.5	0.8	CB25335-2JB0****	50
0.68	18.0	19.0	11.0	15.0	0.8	CB25684-2J60****	200	3.9	32.0	33.0	18.0	27.5	0.8	CB25395-2JB0****	50
								4.7	32.0	37.0	22.0	27.5	0.8	CB25475-2JB0****	50
								5.6	32.0	37.0	22.0	27.5	0.8	CB25565-2JB0****	50

备注:

“-”: 客户要求的容量偏差

“\*\*\*\*”: 引线加工和包装代码 (见 15 页表 4)

MOQ: 最小订单量

“-”=custom's capacitor tolerance code, J=±5%, K=±10%, M=±20%

“\*\*\*\*”= Lead form and packing code (refer to table 4 in page 15)

MOQ = Minimum order quantity



# CBB25

CBB25 series

◆ 小型化产品尺寸: **Miniature Product Dimension:**

400Vdc/450Vdc <sup>▲</sup>																
C (μF)	W	H	T	P	d	产品代码 Part number	MOQ	C (μF)	W	H	T	P	d	产品代码 Part number	MOQ	
0.12	13.0	9.0	4.0	10.0	0.6	CB25124-2G4M****	500	1.0	26.5	15.0	6.0	22.5	0.8	CB25105-2G9M****	500	
0.15	13.0	9.0	4.0	10.0	0.6	CB25154-2G4M****	500	1.2	26.5	15.0	6.0	22.5	0.8	CB25125-2G9M****	500	
0.18	13.0	11.0	5.0	10.0	0.6	CB25184-2G4M****	500	1.5	26.5	16.0	7.0	22.5	0.8	CB25155-2G9M****	500	
0.22	13.0	11.0	5.0	10.0	0.6	CB25224-2G4M****	500	1.8	26.5	16.0	7.0	22.5	0.8	CB25185-2G9M****	500	
0.27	13.0	12.0	6.0	10.0	0.6	CB25274-2G4M****	500	2.2	26.5	17.0	8.5	22.5	0.8	CB25225-2G9M****	500	
0.33	13.0	12.0	6.0	10.0	0.6	CB25334-2G4M****	500	2.7	26.5	18.5	10.0	22.5	0.8	CB25275-2G9M****	500	
0.39	13.0	13.0	7.0	10.0	0.6	CB25394-2G4M****	500	3.3	26.5	18.5	10.0	22.5	0.8	CB25335-2G9M****	500	
0.47	13.0	13.0	7.0	10.0	0.6	CB25474-2G4M****	500	3.9	26.5	20.0	11.0	22.5	0.8	CB25395-2G9M****	200	
0.56	13.0	14.0	8.0	10.0	0.6	CB25564-2G4M****	500	4.7	26.5	22.0	12.0	22.5	0.8	CB25475-2G9M****	200	
0.68	13.0	14.0	8.0	10.0	0.6	CB25684-2G4M****	500	5.6	26.5	24.5	15.5	22.5	0.8	CB25565-2G9M****	200	
0.22	18.0	11.0	5.0	15.0	0.6	CB25224-2G6M****	500	6.8	26.5	24.5	15.5	22.5	0.8	CB25685-2G9M****	200	
0.33	18.0	11.0	5.0	15.0	0.6	CB25334-2G6M****	500	8.2	26.5	24.5	15.5	22.5	0.8	CB25825-2G9M****	200	
0.39	18.0	11.0	5.0	15.0	0.6	CB25394-2G6M****	500	3.3	32.0	18.0	9.0	27.5	0.8	CB25335-2GBM****	200	
0.47	18.0	11.0	5.0	15.0	0.6	CB25474-2G6M****	500	3.9	32.0	20.0	11.0	27.5	0.8	CB25395-2GBM****	200	
0.56	18.0	12.0	6.0	15.0	0.6	CB25564-2G6M****	500	4.7	32.0	20.0	11.0	27.5	0.8	CB25475-2GBM****	200	
0.68	18.0	12.0	7.0	15.0	0.6	CB25684-2G6M****	500	5.6	32.0	22.0	13.0	27.5	0.8	CB25565-2GBM****	100	
0.82	18.0	12.0	7.0	15.0	0.6	CB25824-2G6M****	500	6.8	32.0	22.0	13.0	27.5	0.8	CB25685-2GBM****	100	
1.0	18.0	13.5	7.5	15.0	0.6	CB25105-2G6M****	500	8.2	32.0	24.5	15.0	27.5	0.8	CB25825-2GBM****	100	
1.2	18.0	14.0	8.0	15.0	0.6	CB25125-2G6M****	500	10.0	32.0	28.0	17.0	27.5	0.8	CB25106-2GBM****	50	
1.5	18.0	16.0	10.0	15.0	0.8	CB25155-2G6M****	500	12.0	32.0	28.0	17.0	27.5	0.8	CB25126-2GBM****	50	
1.8	18.0	16.0	10.0	15.0	0.8	CB25185-2G6M****	500	15.0	32.0	33.0	18.0	27.5	0.8	CB25156-2GBM****	50	
2.2	18.0	19.0	11.0	15.0	0.8	CB25225-2G6M****	500	18.0	32.0	37.0	22.0	27.5	0.8	CB25186-2GBM****	50	
								22.0	32.0	37.0	22.0	27.5	0.8	CB25226-2GBM****	50	

备注:

“-”: 客户要求的容量偏差

“\*\*\*\*”: 引线加工和包装代码 (见 15 页表 4)

“▲”: 当额定电压为 450Vdc 时, 第 9~10 位为 2S

MOQ: 最小订单量

“-”=custom's capacitor tolerance code, J=±5%, K=±10%, M=±20%

“\*\*\*\*”= Lead form and packing code (refer to table 4 in page 15)

“▲”=when the rated voltage is 450Vdc, the digit 9~10 is 2S

MOQ = Minimum order quantity

◆小型化产品尺寸: **Miniature Product Dimension:**

520Vdc																
C (μF)	W	H	T	P	d	产品代码 Part number	MOQ	C (μF)	W	H	T	P	d	产品代码 Part number	MOQ	
0.082	13.0	9.0	4.0	10.0	0.6	CB25823-2T4M****	500	0.68	26.5	15.0	6.0	22.5	0.8	CB25684-2T9M****	500	
0.10	13.0	9.0	4.0	10.0	0.6	CB25104-2T4M****	500	0.82	26.5	15.0	6.0	22.5	0.8	CB25824-2T9M****	500	
0.12	13.0	11.0	5.0	10.0	0.6	CB25124-2T4M****	500	1.0	26.5	16.0	7.0	22.5	0.8	CB25105-2T9M****	500	
0.15	13.0	11.0	5.0	10.0	0.6	CB25154-2T4M****	500	1.2	26.5	16.0	7.0	22.5	0.8	CB25125-2T9M****	500	
0.18	13.0	12.0	6.0	10.0	0.6	CB25184-2T4M****	500	1.5	26.5	17.0	8.5	22.5	0.8	CB25155-2T9M****	500	
0.22	13.0	12.0	6.0	10.0	0.6	CB25224-2T4M****	500	1.8	26.5	17.0	8.5	22.5	0.8	CB25185-2T9M****	500	
0.27	13.0	13.0	7.0	10.0	0.6	CB25274-2T4M****	500	2.2	26.5	18.5	10.0	22.5	0.8	CB25225-2T9M****	500	
0.33	13.0	13.0	7.0	10.0	0.6	CB25334-2T4M****	500	2.7	26.5	20.0	11.0	22.5	0.8	CB25275-2T9M****	200	
0.39	13.0	14.0	8.0	10.0	0.6	CB25394-2T4M****	500	3.3	26.5	22.0	12.0	22.5	0.8	CB25335-2T9M****	200	
0.47	13.0	14.0	8.0	10.0	0.6	CB25474-2T4M****	500	3.9	26.5	22.0	12.0	22.5	0.8	CB25395-2T9M****	200	
0.22	18.0	11.0	5.0	15.0	0.6	CB25224-2T6M****	500	4.7	26.5	24.5	15.5	22.5	0.8	CB25475-2T9M****	200	
0.27	18.0	11.0	5.0	15.0	0.6	CB25274-2T6M****	500	5.6	26.5	24.5	15.5	22.5	0.8	CB25565-2T9M****	200	
0.33	18.0	11.0	5.0	15.0	0.6	CB25334-2T6M****	500	2.2	32.0	18.0	9.0	27.5	0.8	CB25225-2TBM****	200	
0.39	18.0	12.0	6.0	15.0	0.6	CB25394-2T6M****	500	2.7	32.0	18.0	9.0	27.5	0.8	CB25275-2TBM****	200	
0.47	18.0	12.0	6.0	15.0	0.6	CB25474-2T6M****	500	3.3	32.0	20.0	11.0	27.5	0.8	CB25335-2TBM****	200	
0.56	18.0	12.0	7.0	15.0	0.6	CB25564-2T6M****	500	3.9	32.0	20.0	11.0	27.5	0.8	CB25395-2TBM****	200	
0.68	18.0	13.5	7.5	15.0	0.6	CB25684-2T6M****	500	4.7	32.0	22.0	13.0	27.5	0.8	CB25475-2TBM****	100	
0.82	18.0	14.0	8.0	15.0	0.6	CB25824-2T6M****	500	5.6	32.0	24.5	15.0	27.5	0.8	CB25565-2TBM****	100	
1.0	18.0	14.5	8.5	15.0	0.6	CB25105-2T6M****	500	6.8	32.0	24.5	15.0	27.5	0.8	CB25685-2TBM****	100	
1.2	18.0	16.0	10.0	15.0	0.8	CB25125-2T6M****	500	8.2	32.0	28.0	17.0	27.5	0.8	CB25825-2TBM****	50	
1.5	18.0	19.0	11.0	15.0	0.8	CB25155-2T6M****	500	10.0	32.0	33.0	18.0	27.5	0.8	CB25106-2TBM****	50	
									12.0	32.0	37.0	22.0	27.5	0.8	CB25126-2TBM****	50
									15.0	32.0	37.0	22.0	27.5	0.8	CB25156-2TBM****	50
									18.0	32.0	36.5	25.0	27.5	0.8	CB25186-2TBM****	50

备注:

“-”: 客户要求的容量偏差

“\*\*\*\*”: 引线加工和包装代码 (见 15 页表 4)

MOQ: 最小订单量

“-”=custom's capacitor tolerance code, J=±5%, K=±10%, M=±20%

“\*\*\*\*”= Lead form and packing code (refer to table 4 in page 15)

MOQ = Minimum order quantity



CBB25

CBB25 series

◆小型化产品尺寸: **Miniature Product Dimension:**

630Vdc															
C ( $\mu$ F)	W	H	T	P	d	产品代码 Part number	MOQ	C ( $\mu$ F)	W	H	T	P	d	产品代码 Part number	MOQ
0.056	13.0	9.0	4.0	10.0	0.6	CB25563-2J4M****	500	0.47	26.5	15.0	6.0	22.5	0.8	CB25474-2J9M****	500
0.068	13.0	9.0	4.0	10.0	0.6	CB25683-2J4M****	500	0.56	26.5	15.0	6.0	22.5	0.8	CB25564-2J9M****	500
0.082	13.0	11.0	5.0	10.0	0.6	CB25823-2J4M****	500	0.68	26.5	16.0	7.0	22.5	0.8	CB25684-2J9M****	500
0.10	13.0	11.0	5.0	10.0	0.6	CB25104-2J4M****	500	0.82	26.5	16.0	7.0	22.5	0.8	CB25824-2J9M****	500
0.12	13.0	12.0	6.0	10.0	0.6	CB25124-2J4M****	500	1.0	26.5	17.0	8.5	22.5	0.8	CB25105-2J9M****	500
0.15	13.0	12.0	6.0	10.0	0.6	CB25154-2J4M****	500	1.2	26.5	17.0	8.5	22.5	0.8	CB25125-2J9M****	500
0.18	13.0	13.0	7.0	10.0	0.6	CB25184-2J4M****	500	1.5	26.5	18.5	10.0	22.5	0.8	CB25155-2J9M****	500
0.22	13.0	13.0	7.0	10.0	0.6	CB25224-2J4M****	500	1.8	26.5	18.5	10.0	22.5	0.8	CB25185-2J9M****	500
0.27	13.0	14.0	8.0	10.0	0.6	CB25274-2J4M****	500	2.2	26.5	20.0	11.0	22.5	0.8	CB25225-2J9M****	200
0.33	13.0	14.0	8.0	10.0	0.6	CB25334-2J4M****	500	2.7	26.5	22.0	12.0	22.5	0.8	CB25275-2J9M****	200
0.18	18.0	11.0	5.0	15.0	0.6	CB25184-2J6M****	500	3.3	26.5	24.5	15.5	22.5	0.8	CB25335-2J9M****	200
0.22	18.0	11.0	5.0	15.0	0.6	CB25224-2J6M****	500	3.9	26.5	24.5	15.5	22.5	0.8	CB25395-2J9M****	200
0.27	18.0	12.0	6.0	15.0	0.6	CB25274-2J6M****	500	1.8	32.0	18.0	9.0	27.5	0.8	CB25185-2JBM****	200
0.33	18.0	12.0	6.0	15.0	0.6	CB25334-2J6M****	500	2.2	32.0	20.0	11.0	27.5	0.8	CB25225-2JBM****	200
0.39	18.0	12.0	7.0	15.0	0.6	CB25394-2J6M****	500	2.7	32.0	20.0	11.0	27.5	0.8	CB25275-2JBM****	200
0.47	18.0	13.5	7.5	15.0	0.6	CB25474-2J6M****	500	3.3	32.0	22.0	13.0	27.5	0.8	CB25335-2JBM****	100
0.56	18.0	14.0	8.0	15.0	0.6	CB25564-2J6M****	500	3.9	32.0	22.0	13.0	27.5	0.8	CB25395-2JBM****	100
0.68	18.0	14.5	8.5	15.0	0.6	CB25684-2J6M****	500	4.7	32.0	24.5	15.0	27.5	0.8	CB25475-2JBM****	100
0.82	18.0	16.0	10.0	15.0	0.8	CB25824-2J6M****	500	5.6	32.0	28.0	17.0	27.5	0.8	CB25565-2JBM****	50
1.0	18.0	16.0	10.0	15.0	0.8	CB25105-2J6M****	500	6.8	32.0	29.0	19.0	27.5	0.8	CB25685-2JBM****	50
1.2	18.0	19.0	11.0	15.0	0.8	CB25125-2J6M****	500	8.2	32.0	29.0	19.0	27.5	0.8	CB25825-2JBM****	50
								10.0	32.0	37.0	22.0	27.5	0.8	CB25106-2JBM****	50
								12.0	32.0	37.0	22.0	27.5	0.8	CB25126-2JBM****	50

备注:

“-”: 客户要求的容量偏差

“\*\*\*\*”: 引线加工和包装代码 (见 15 页表 4)

MOQ: 最小订单量

“-”=custom's capacitor tolerance code, J=±5%, K=±10%, M=±20%

“\*\*\*\*”= Lead form and packing code (refer to table 4 in page 15)

MOQ = Minimum order quantity