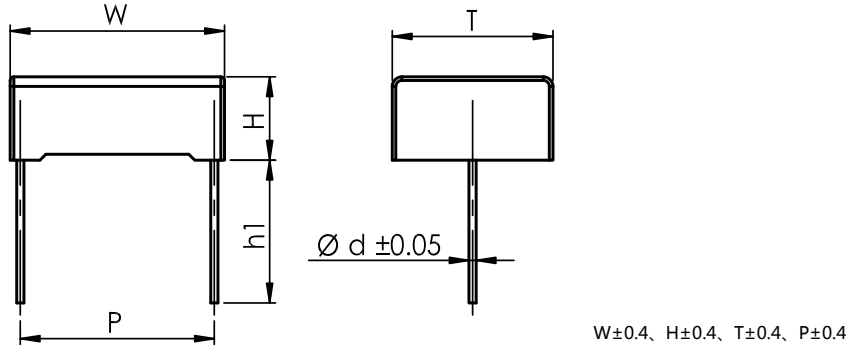


CBB25F 型盒式金属化聚丙烯薄膜电容器(扁平化)

Metallized Polypropylene Film Capacitor (Flat, Box-Type)

◆ 外形尺寸图及产品结构 Outline Drawing and Capacitor Construction



◆ 特点及用途 Application and Feature

金属化聚丙烯膜，耐压高，适用于开关电源、电子镇流器和变频器等直流滤波(PFC、DC-Link 等)。
Metallized polypropylene film, high-voltage proof. Suitable for the DC filter, DC-blocking circuit (PFC, DC-Link).

◆ 技术要求 Specifications

参照标准 Reference Standard	GB 10190、IEC 60384-16
气候类别 Climatic Category	40/105/56
工作温度范围 Operation Temperature Range	-40℃~105℃
额定温度 Rated Temperature	85℃
额定电压 Rated Voltage	400Vdc/450Vdc、630Vdc
电容量范围 Capacitance Range	0.1μF~1.2μF
电容量偏差 Capacitance Tolerance	±5%(J)、±10%(K)、±20%(M) (20℃, 1kHz)
耐电压 Voltage Proof	U=1.6U _R , 5s(20℃)
绝缘电阻 Insulation Resistance	C _R ≤0.33μF, IR≥100 000MΩ C _R >0.33μF, IR×C≥30 000s (20℃, 100Vdc, 1min)
损耗角正切 Dissipation Factor	1kHz: Tan δ≤0.0010 10kHz: Tan δ≤0.0030 (C _R ≤1μF)

说明：电容器的工作电压随温度上升而下降，在 85~105℃之间，以 85℃为基准，环境温度每上升 1℃，电容器的额定工作电压应降低 1.25%。

Note: The working voltage of the capacitor decreases as the temperature rises. between 85~105℃,take 85℃ as the base, the temperature rises 1℃,the rated working voltage of the capacitor decreases 1.25%.



CBB25F
CBB25F series

◆ 产品尺寸: **Product Dimension:**

400 [▲] /450Vdc								630Vdc							
C (μF)	W	H	T	P	d	产品代码 Part number	MOQ	C (μF)	W	H	T	P	d	产品代码 Part number	MOQ
0.18	10.5	6.0	8.0	7.5	0.6	C25F184-2S30****	500	0.1	10.5	6.5	7.5	7.5	0.6	C25F104-2J30****	500
0.22	10.5	6.5	8.5	7.5	0.6	C25F224-2S30****	500	0.12	10.5	6.5	8.5	7.5	0.6	C25F124-2J30****	500
0.27	10.5	7.0	9.0	7.5	0.6	C25F274-2S30****	500	0.15	10.5	7.0	9.0	7.5	0.6	C25F154-2J30****	500
0.22	13.0	6.0	8.0	10.0	0.6	C25F224-2S40****	500	0.15	13.0	6.0	8.0	10.0	0.6	C25F154-2J40****	500
0.22	13.0	6.5	9.0	10.0	0.6	C25F224-2S41****	500	0.18	13.0	6.5	8.5	10.0	0.6	C25F184-2J40****	500
0.27	13.0	6.5	8.5	10.0	0.6	C25F274-2S40****	500	0.22	13.0	7.0	9.0	10.0	0.6	C25F224-2J40****	500
0.33	13.0	6.5	9.0	10.0	0.6	C25F334-2S40****	500	0.27	13.0	7.0	10.5	10.0	0.6	C25F274-2J40****	500
0.39	13.0	7.0	10.5	10.0	0.6	C25F394-2S40****	500	0.33	13.0	7.0	12.0	10.0	0.6	C25F334-2J40****	500
0.47	13.0	7.0	12.0	10.0	0.6	C25F474-2S40****	500	0.27	18.0	6.0	8.0	15.0	0.6	C25F274-2J60****	500
0.47	13.0	8.0	10.0	10.0	0.6	C25F474-2S41****	500	0.33	18.0	6.5	8.5	15.0	0.6	C25F334-2J60****	200
0.39	18.0	6.0	8.0	15.0	0.6	C25F394-2S60****	500	0.39	18.0	7.0	9.0	15.0	0.6	C25F394-2J60****	200
0.47	18.0	6.5	8.5	15.0	0.6	C25F474-2S60****	500	0.47	18.0	7.0	10.0	15.0	0.6	C25F474-2J60****	500
0.56	18.0	7.0	9.0	15.0	0.6	C25F564-2S60****	500	0.56	18.0	7.0	12.0	15.0	0.6	C25F564-2J60****	500
0.68	18.0	7.0	10.0	15.0	0.6	C25F684-2S60****	500	0.68	18.0	7.0	13.5	15.0	0.6	C25F684-2J60****	500
0.82	18.0	7.0	12.0	15.0	0.6	C25F824-2S60****	500	0.82	18.0	7.0	15.5	15.0	0.6	C25F824-2J60****	500
1	18.0	7.0	13.5	15.0	0.6	C25F105-2S60****	500								
1.2	18.0	7.0	15.5	15.0	0.6	C25F125-2S60****	500								

备注:

“-”: 客户要求的容量偏差

“****”: 引线加工和包装代码 (见 15 页表 4)

“▲”: 当额定电压为 400Vdc 时, 第 9~10 位为 2G

MOQ: 最小订单量

“-”=custom's capacitor tolerance code, J=±5%, K=±10%, M=±20%

“****”= Lead form and packing code (refer to table 4 in page 15)

“▲”=when the rated voltage is 400Vdc, the digit 9~10 is 2G

MOQ = Minimum order quantity