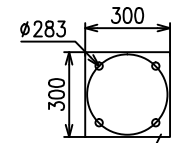
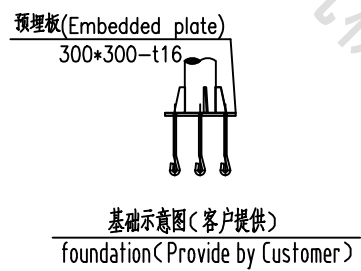
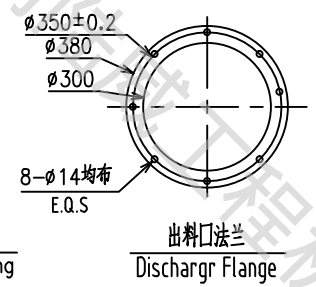
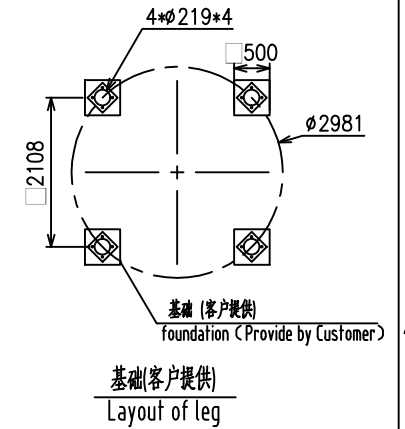
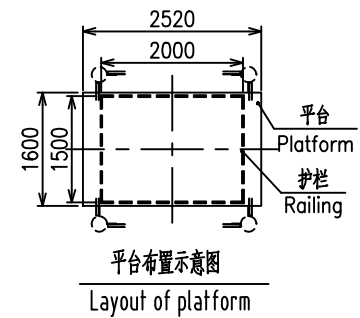
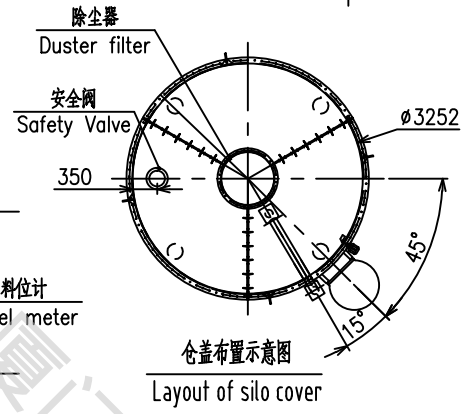
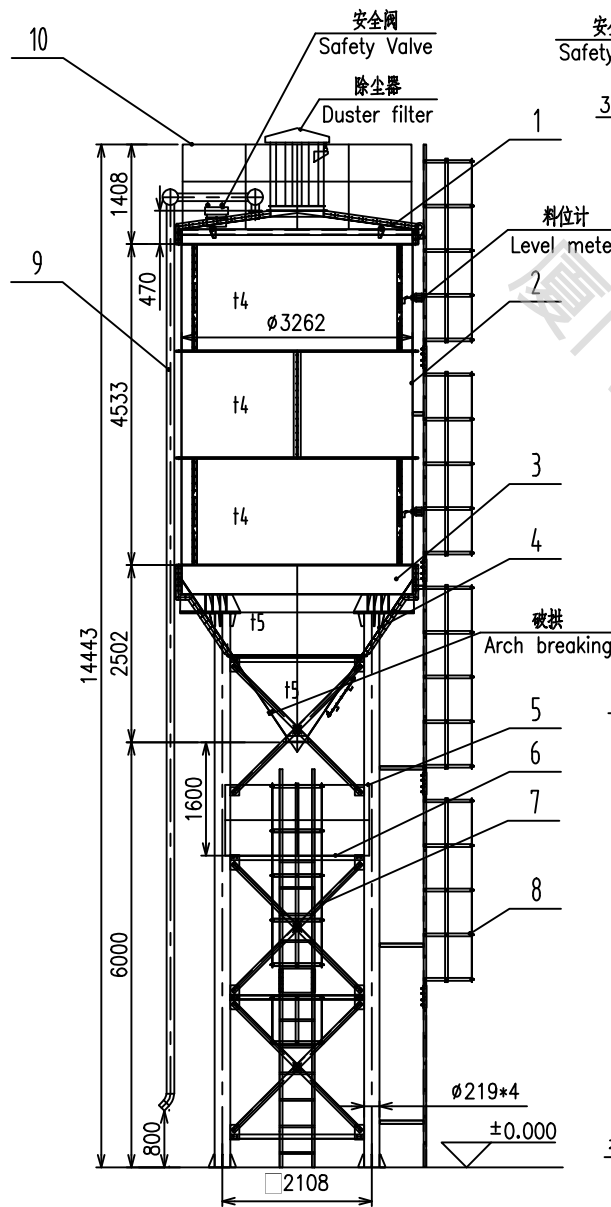


WP3200T60.0



技术参数(Technical Parameter):

- 筒仓容量63T(48m³), 扣除500高料位装载57(44m³)T, 装载效率91.3%, 密度按1.3t/m³计; (Capacity 63T(48m³), Actual Capacity 57T(44m³), Volume Ratio 91.3%, Density 1.3t/m³;)
- 底漆: 铁红环氧防锈底漆, 面漆: 丙烯酸面漆, 颜色业主定; (Primer: Iron red epoxy antirust primer, Finish paint: pioner topcoat, Customer specified color;)
- 使用条件: 压力<5KPa, 风压: 0.8KN/m². (Use conditions: Pressure<5KPa, Wind pressure = 0.8KN/m².)

10	WP3200T60.10	顶护栏(Silo top railing)	1	Q235B				
9	WP3200T60.9	进灰管(Feed pipe)	1	Q235B				
8	WP3200T60.8	仓顶爬梯(Top Straight ladder)	1	Q235B				
7	WP3200T60.7	平台爬梯(Platform Straight ladder)	1	Q235B				
6	WP3200T60.6	平台(Platform)	1	Q235B				
5	WP3200T60.5	平台护栏(Platform railing)	1	Q235B				
4	WP3200T60.4	支腿架(Leg assembly drawing)	1	Q235B				
3	WP3200T60.3	锥体(Cone)	1	Q235B				
2	WP3200T60.2	仓板(Silo body plate)	9	Q235B				
1	WP3200T60.1	仓盖(Silo cover)	1	Q235B				
序号 NO.	代号 CODE	名称/NAME	数量 Q.T.Y	材料 MATERIAL	单重 S-WEIGHT 重量 WEIGHT	总重 T-WEIGHT	备注 MARK	

Common part registration
Tracing
B Proofreading
Old drawing order
Sign
date

方案图(Plan Drawing) 厦门陆威工程机械有限公司 Xiamen Luwei Construction Equipment Co., Ltd.
WPφ3200-60T-H6000
WP3200T60.0
比例/Scale 1:70
Total Pages共 页 Pages第 页