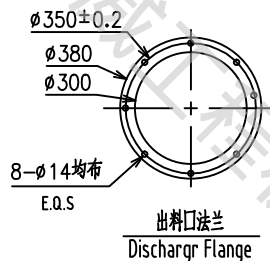
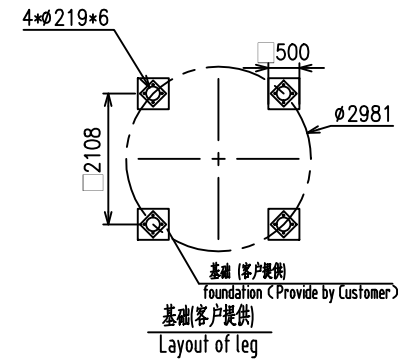
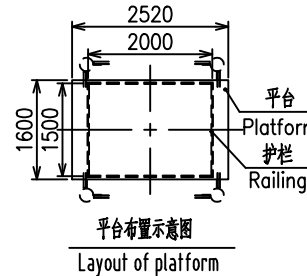
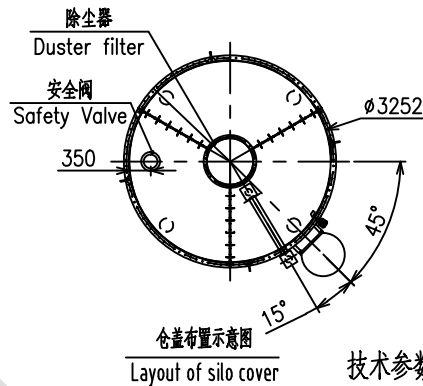
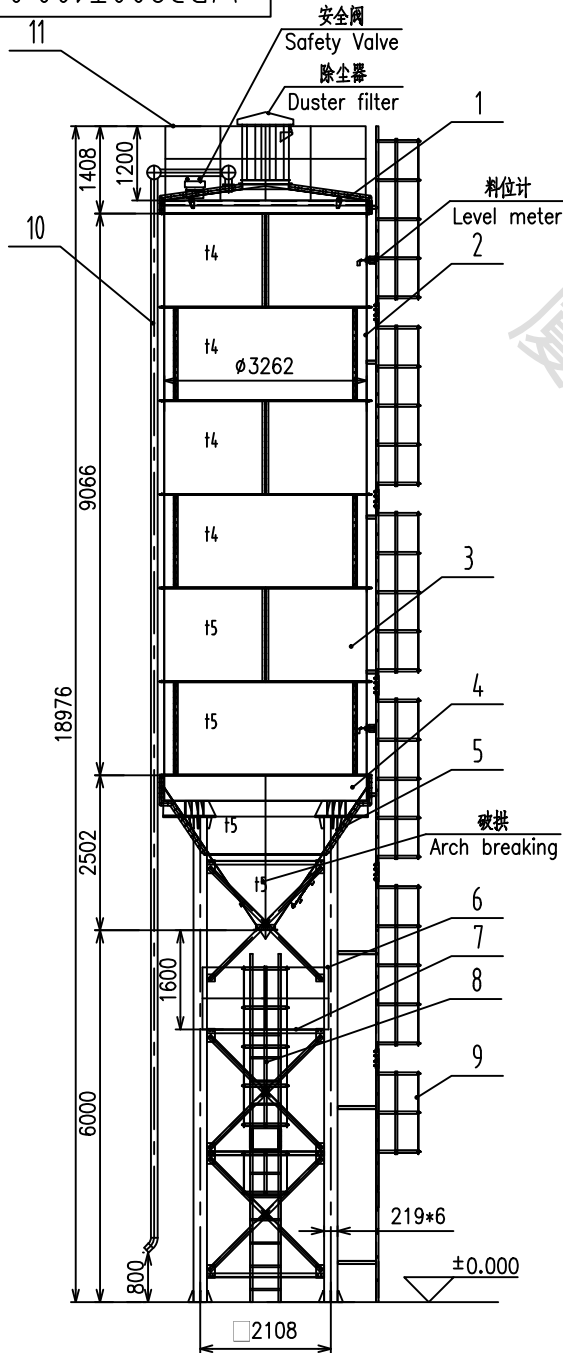


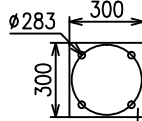
WP3200T100.0



预埋板(Embedded plate)  
300\*300-t16



基础示意图(客户提供)  
Foundation (Provide by Customer)



地脚螺栓(Anchor bolt) 4 article  
φ20, L=600 均布 (E.Q.S)

预埋板示意图(客户提供)

Embedded plate sketch drawing (Provide by Customer)

技术参数( Technical Parameter ):

- 筒仓容量108T(83m<sup>3</sup>), 扣除500高料位装载102T(78m<sup>3</sup>), 装载效率95%, 密度按1.3t/m<sup>3</sup>计;  
(Capacity 108T(83m<sup>3</sup>), Actual Capacity 102T(78m<sup>3</sup>), Volume Ratio 95%, Density 1.3t/m<sup>3</sup>);
- 底漆: 铁红环氧防锈底漆, 面漆: 丙烯酸面漆, 颜色业主定;  
(Primer: Iron red epoxy antirust primer, Finish paint: pioner topcoat, Customer specified color;)
- 使用条件: 压力<5KPa, 风压: 0.8KN/m<sup>2</sup>. (Use conditions: Pressure<5KPa, Wind pressure: 0.8KN/m<sup>2</sup>.)

11	WP3200T100.11	顶护栏< Silo top railing >	1	Q235B			
10	WP3200T100.10	进灰管< Feed pipe >	1	Q235B			
9	WP3200T100.9	仓顶爬梯< Top Straight ladder >	1	Q235B			
8	WP3200T100.8	平台爬梯< Platform Straight ladder >	1	Q235B			
7	WP3200T100.7	平台< Platform >	1	Q235B			
6	WP3200T100.6	平台护栏< Platform railing >	1	Q235B			
5	WP3200T100.5	支腿架< Leg assembly drawing >	1	Q235B			
4	WP3200T100.4	锥体< Cone >	1	Q235B			
3	WP3200T100.3	仓板 2< Silo body plate 2 >	6	Q235B			
2	WP3200T100.2	仓板 1< Silo body plate 1 >	12	Q235B			
1	WP3200T100.1	仓盖< Silo cover >	1	Q235B			
序号 NO.	代号 CODE	名称/NAME	数量 Q.T.Y	材料 MATERIAL	单重 S-WEIGHT 重量 WEIGHT	总重 T-WEIGHT	备注 MARK

方案图< Plan Drawing >

厦门陆威工程机械有限公司  
Xiamen Luwei Construction Equipment Co., Ltd.

WPφ3200-100T-H6000

WP3200T100.0

标记 Designer	数量 Standardization	更改文件号 Standardization	签字 Standardization	日期 Standardization	图样标记	版本	重量/Weight	比例/Scale
							0	1:80
日期/Date					Total Pages共	页	Pages第	页

Common part registration  
Tracing  
B  
Proofreading  
Old drawing order  
Sign  
date