

K2 SERIES

PRODUCT FEATURES

»

- Advanced ergonomic design
- Comfortable operation, durable
- IP65 dustproof and waterproof design
- Variable button combinations, with top button and deadman switch available
- Available rocker switch, MTW10 analog thumbwheel installation

MARKET FOCUS

»

- Industrial controller
- Control panel
- Armrest box
- Electro-hydraulic control system



Multi-function c grip



TECHNICAL SPECIFICATIONS

» » » » » » » » » »

Mechanical data

Maximum height:156.5mm
 Forward maximum width:64mm
 Number of available installation buttons:0~8pcs
 Button operating force:5N
 Button actuation type:Spring return or optional self-locking button
 Mechanical life:1 million cycles
 Weight:350g

Electrical data

Button load capacity:2A@36Vdc
 Button insulation resistance:>1000MΩ

Environmental data

Operating temperature -25℃~+55℃	Storage temperature -40℃~+85℃	Protection class(IP) IP65 (above the panel)
------------------------------------	----------------------------------	---

ORDERING CODES

» » » » » » » » » »

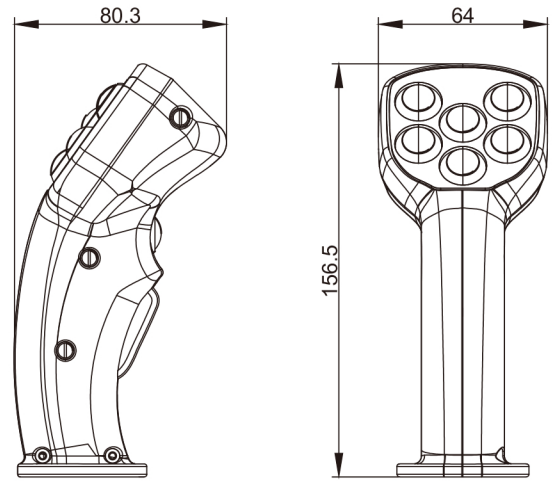
K2 - ① - ② - ③ - ④

① Deadman switch and top button options

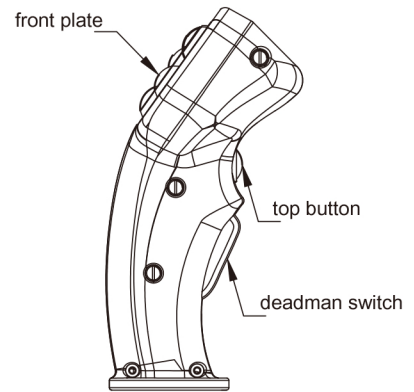
N Without deadman switch and top button
 T Without deadman switch, with top button
 D With deadman switch, without top button
 B With deadman switch and top button

SHAPE DIMENSIONS

» » » » » » » » » »



K2P_shape



② Front plate options

- 00 no button
- 01 1 button
- 02 2 buttons
- 03 3 buttons
- 04 4 buttons
- 05 5 buttons
- 06 6 buttons
- 07 5 buttons and 1 on-off-on toggle switch
- 08 6 buttons and 1 on-off-on toggle switch
- 09 7 buttons
- 10 8 buttons
- 11 1 on-off-on toggle switch on the left+1 thumbwheel on the right
- 12 1 button on the right upper+1 thumbwheel on the right bottom
- 13 1 thumbwheel on the left+1 button on the right
- 14 1 thumbwheel in the middle+1 button on the left and right
- 15 1 thumbwheel on the left+2 button on the right
- 16 2 thumbwheel on the left+1 thumbwheel on the right

