

# HRC SERIES

## PRODUCT FEATURES

»

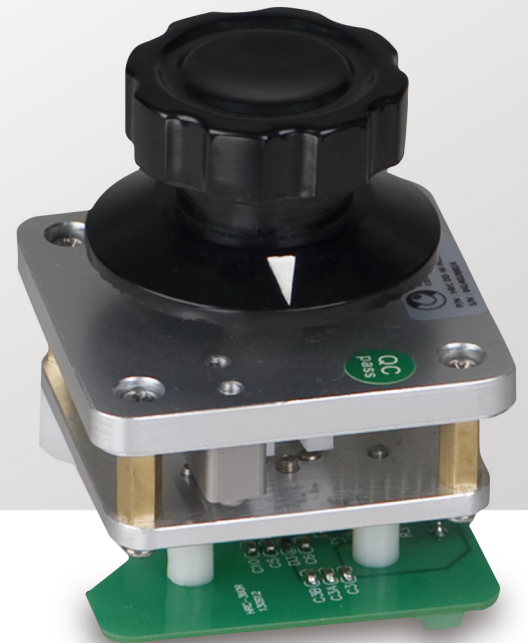
- Horizontal rotation or rotation from end to end
- Friction positioning, comfortable operation
- Non-contacting Hall effect sensor, high reliability, long service life
- Optional input voltage 9~32Vdc
- Optional redundant output

## MARKET FOCUS

»

- Fixed speed control function of various construction machinery
- Control panel of road machinery
- Control panel or control armrest box of various oil machinery and mining machinery

Customer panel



Hall sensor rotary controller



## TECHNICAL SPECIFICATIONS

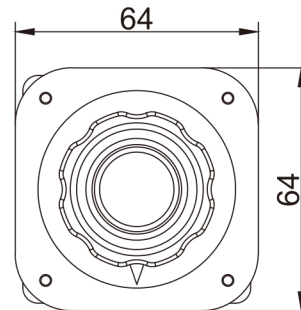
» » » » » » » » » »

### Mechanical data

Rotation angle:  $\pm 135^\circ$  (dual direction operation, customizable)  
 $270^\circ$  (single direction operation, customizable)  
 Breakout force:  $3 \sim 5\text{N}$   
 Operating force: max. 15N  
 Maximum allowable force: 120N  
 Mechanical life: 5 million cycles  
 Weight: 300g

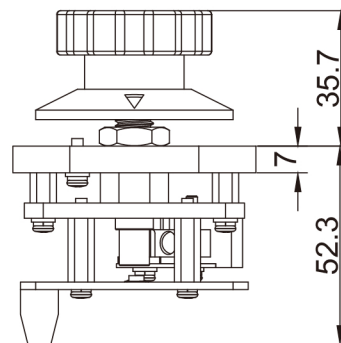
## SHAPE DIMENSIONS

» » » » » » » » » »



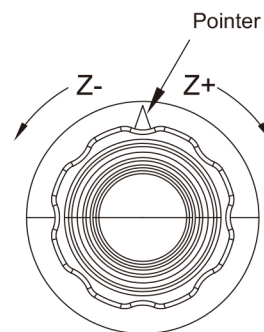
### Electrical data

Supply voltage:  $5.0 \pm 0.5\text{Vdc}$  or  $9 \sim 32\text{Vdc}$   
 Current consumption:  $< 11\text{mA}$  (per channel)  
 Center voltage:  $2.5 \pm 0.1\text{V}$   
 Output linearity tolerance:  $\pm 3\%$   
 Maximum overload voltage:  $20\text{Vdc}$   
 Maximum reverse voltage:  $-10\text{Vdc}$   
 Load resistance:  $> 10\text{K}\Omega$   
 Insulation resistance:  $> 1000\text{M}\Omega$   
 EMC:  $100\text{V/m}$



### Environmental data

Operating temperature $-20^\circ\text{C} \sim +70^\circ\text{C}$	Storage temperature $-40^\circ\text{C} \sim +85^\circ\text{C}$	Protection class (IP) IP65 (above the panel)
---	---	--



HRC\_P\_Shape

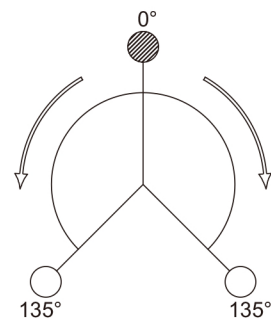
## ORDERING CODES

» » » » » » » » » »

HRC -① -② -③ -④

### ① Operating mode

- DD From center position, operation forward and backward directions
- SD Operation from Z-to Z+ direction



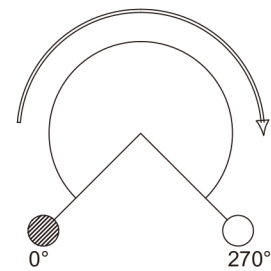
DD

### ② Output signal

- H11 Supply voltage 5Vdc, 0.5~4.5V ratiometer output
- H21 Supply voltage 5Vdc, 0.5~4.5V and 4.5~0.5V redundant ratiometer output
- W11 Supply voltage 9~32Vdc, 0.5~4.5V ratiometer output
- W21 Supply voltage 9~32Vdc, 0.5~4.5V and 4.5~0.5V redundant ratiometer output

### ③ Rotating wheel

- NRW Without rotating wheel
- RW1 Rotating wheel (Ø52mm)
- RW2 Rotating wheel (Ø66mm)



SD

### ④ Wiring

- L Terminal block(default)

