

# C9 SERIES

## PRODUCT FEATURES

»

- Fingertip-operated, spring return
- Non-contacting hall effect technology, high reliability, long service life
- Optional third axis combination with switches
- Optional output voltage upon requirement
- Additional RS232 or USB module
- ROHS compliant

## MARKET FOCUS

»

- Video network keyboard
- Control panel of medical equipment
- CNC machining equipment
- Teaching apparatus of industrial robot



C9 Fingertip 3D joystick



## TECHNICAL SPECIFICATIONS

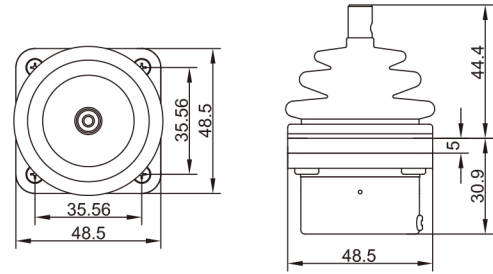
» » » » » » » » » »

### Mechanical data

Travel angle:  $\pm 40^\circ$  (Z axis)  
 Mechanical life: 5 million cycles (X or Y axis); 2 million cycles (Z axis)  
 Operating force: 2.3-6N  
 Maximum allowable force: 300N  
 Weight: 160g

## SHAPE DIMENSIONS

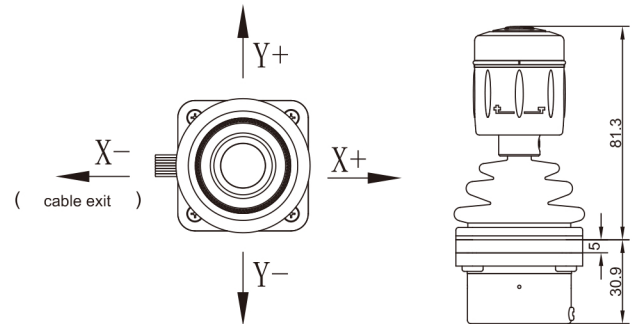
» » » » » » » » » »



C9P\_shape

### Electrical data

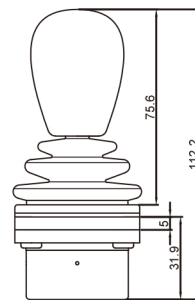
Supply voltage:  $5.0 \pm 0.5$  Vdc or 9-32Vdc  
 Power consumption:  $< 11$  mA (Per channel)  
 Center voltage:  $2.5 \pm 0.15$  V  
 Maximum linearity tolerance:  $\pm 3\%$   
 Maximum overload voltage: 20Vdc  
 Maximum reverse voltage: -10Vdc  
 Load resistance:  $> 10$  K $\Omega$   
 Insulation resistance:  $> 1000$  M $\Omega$   
 EMC: 100V/m



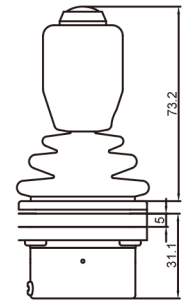
ZG handle

### Environmental data

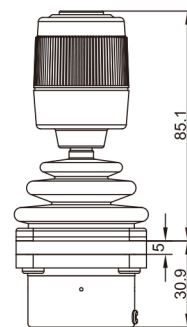
<p>Operating temperature  <math>-25^\circ\text{C} \sim +70^\circ\text{C}</math></p>	<p>Storage temperature  <math>-40^\circ\text{C} \sim +85^\circ\text{C}</math></p>	<p>Protection class                  IP65                  (above the panel)</p>
---	---	--



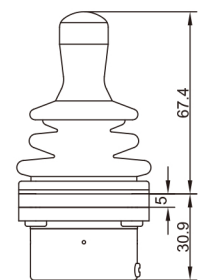
B2 handle



ZL1 handle



ZH handle

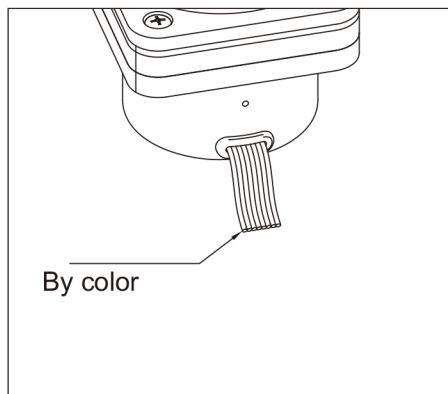


MF handle

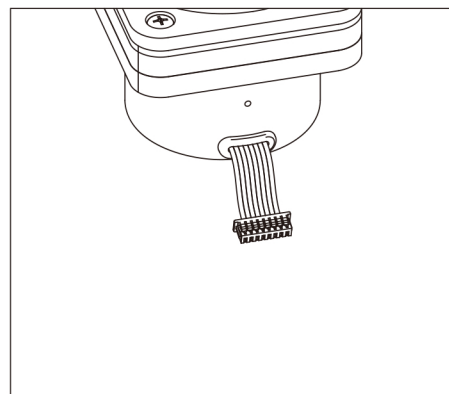


## ELECTRICAL CONNECTIONS » » » » » » » » » »

No.	Colour	Function		
		ZG/ZH handle	ZL handle	MF handle
1	Red	5Vdc or 9-32Vdc	5Vdc or 9-32Vdc	5Vdc or 9-32Vdc
2	Black	GND	GND	GND
3	Blue	X-out	X-out	X-out
4	Yellow	Y-out	Y-out	Y-out
5	Green	Z-out		
6	White	SW-com	SW-com	
7	Brown	SW1	SW	
8	Violet	SW2		

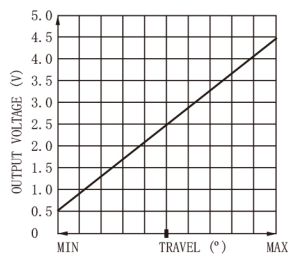


Cable wiring

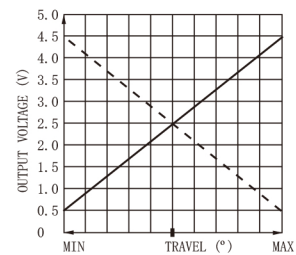


Connector

## OUTPUT SIGNAL CURVE » » » » » » » » » »



H11/W11



H21/W21