

K11S series

Multi-function grip



PRODUCT FEATURES

- Advanced ergonomic design
- Comfortable and durable operation grip
- Optional top button or deadman switch on the back
- Optional rocker switch or thumbwheel fitted in the front plate
- Multiple installation modes are available

MARKET FOCUS

- Agricultural machinery
- Joystick controller
- Control panel
- Armrest box



TECHNICAL SPECIFICATIONS

① Mechanical data

- Thumbwheel mechanical life: 2 million times
- Pushbutton mechanical life: 1 million times
- Product weight: Appr.460g

② Electrical data

Thumbwheel

- Supply Voltage(Vs): $5.0 \pm 0.5Vdc$
- Power current consumption: 10mA
- Center Voltage: $2.5V \pm 4\%Vs$
- Maximum output linearity tolerance: $\pm 4\%$
- Maximum overload voltage: 16Vdc
- Maximum reverse voltage: -16Vdc
- Load resistance: 10K Ω

Pushbutton

- Pushbutton load capacity: 2A@36Vdc
- Pushbutton insulation resistance: $\geq 1000M\Omega$

③ Environmental data

- Operating temperature: -25°C~+55°C
- Storage temperature: -40°C~+85°C

ORDERING CODES

K11S - ① - ② - ③ - ④

① Deadman switch and top button options

N	Without deadman switch and top button
T	Without deadman switch, with top button
D	With deadman switch, without top button
B	With deadman switch and top button

② Front plate options

00	3 buttons on the top+ 3 thumbwheels in the middle + 2 buttons at the bottom
XX	Special requirements, please consult sales
Note	<p>① The pushbutton is automatic reset, the model is GQ12B-10/J/△/A;</p> <p>② Thumbwheel (C2 series), refer to the datasheet of C2 series, example: K11S-B-00 (C2-S-H11-2-N-L) -M1-D</p>

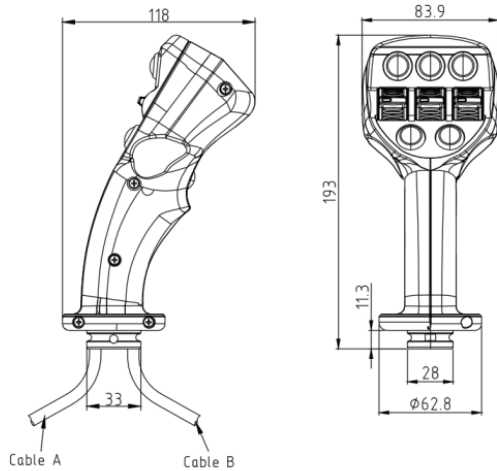
③ Adaptor

M1	M12×1.75, screw thread outside, vertical installation
M2	M12×1.75, screw thread outside, left-hand operation
M3	M12×1.75, screw thread outside, right-hand operation

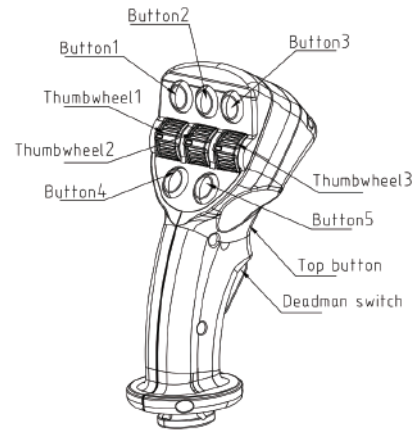
④ Wiring

L	Cable wiring (AF200, 22#, length 500mm)
D	Deutsch connector(Default, length 500mm)

SHAPE DIMENSIONS



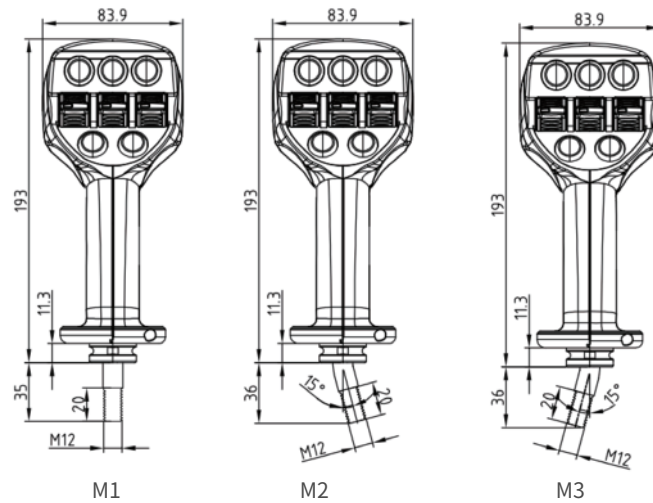
Dimensions



Front plate configuration diagram

INSTALL

① MECHANICAL INSTALLATIONS



Mounting diagram