

# HRC SERIES

## PRODUCT FEATURES

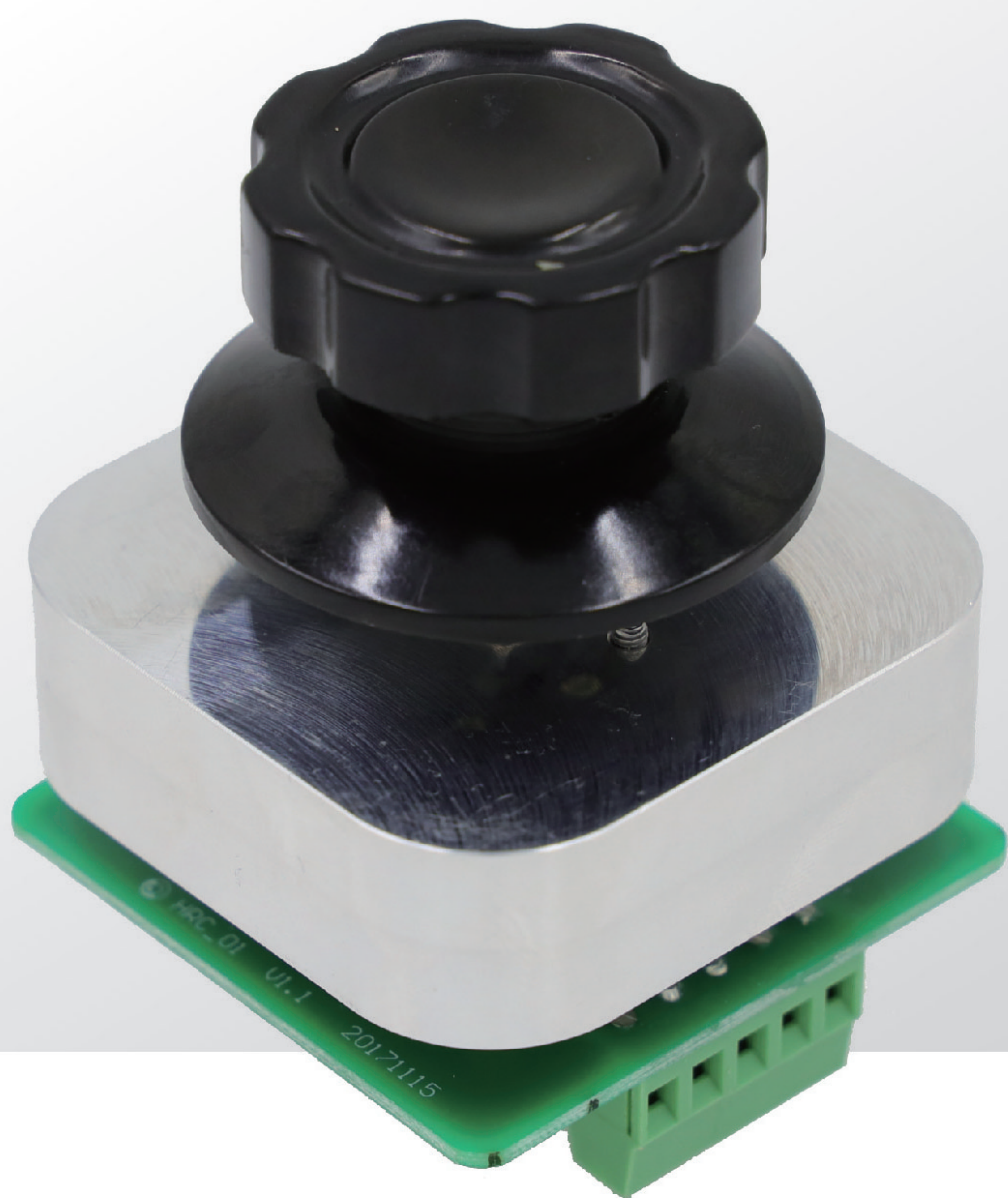
»

- Horizontal rotation or unidirectional rotation operation
- Friction positioning, comfortable operation
- Non-contacting Hall effect sensor, high reliability, long life span
- Optional input voltage 9~32Vdc
- Optional redundant output

## MARKET FOCUS

»

- Fixed speed control function of various construction machinery
- Control panel of road machinery
- Control panel or control armrest box of various oil machinery and mining machinery



Hall sensor rotary controller







# ORDERING CODES

» » » » » » » » » »

HRC -① -② -③ -④

## ① Operating mode

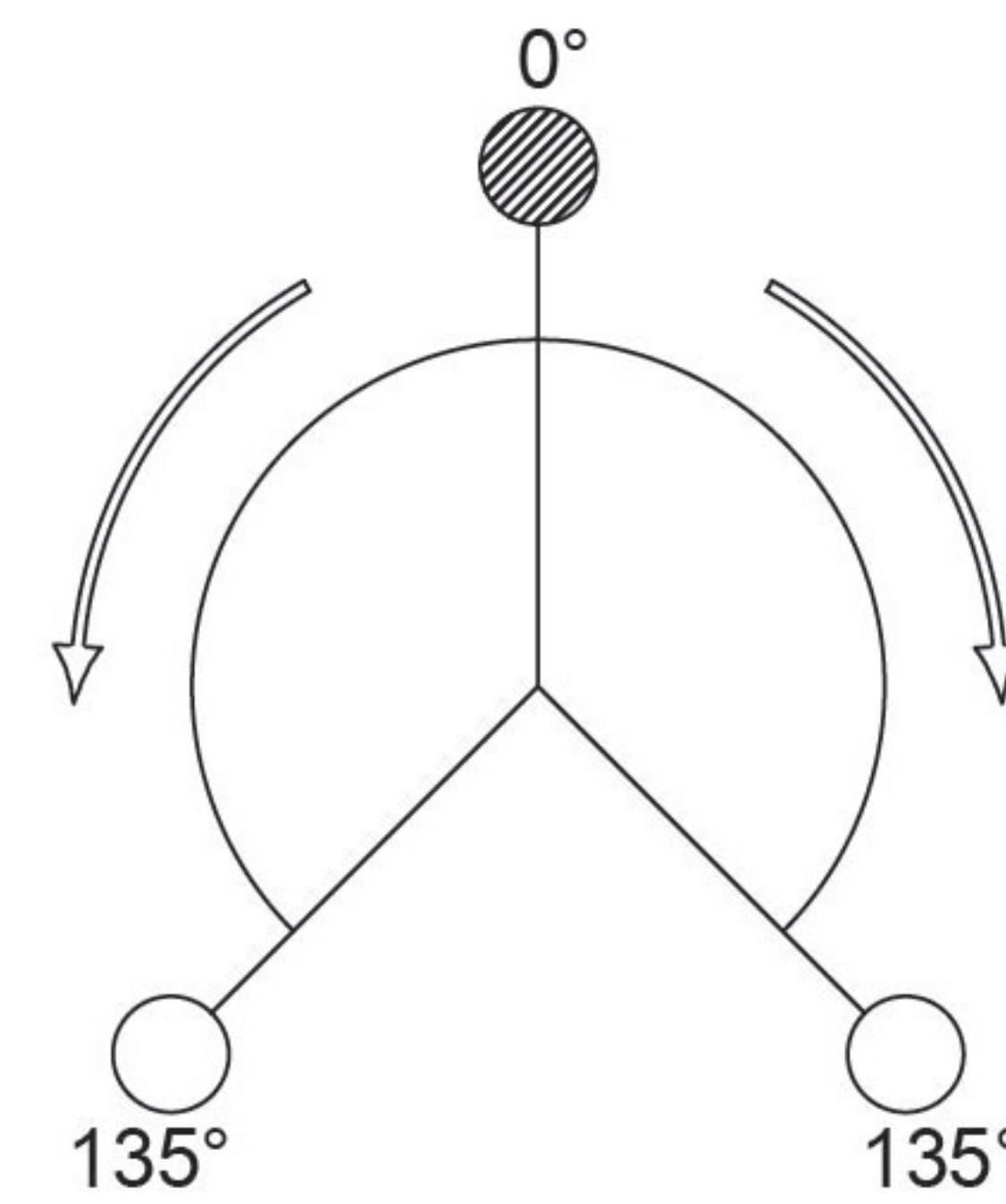
- DD From center position, operation forward and backward directions
- SD Operation from Z-to Z+ direction

## ② Output signal

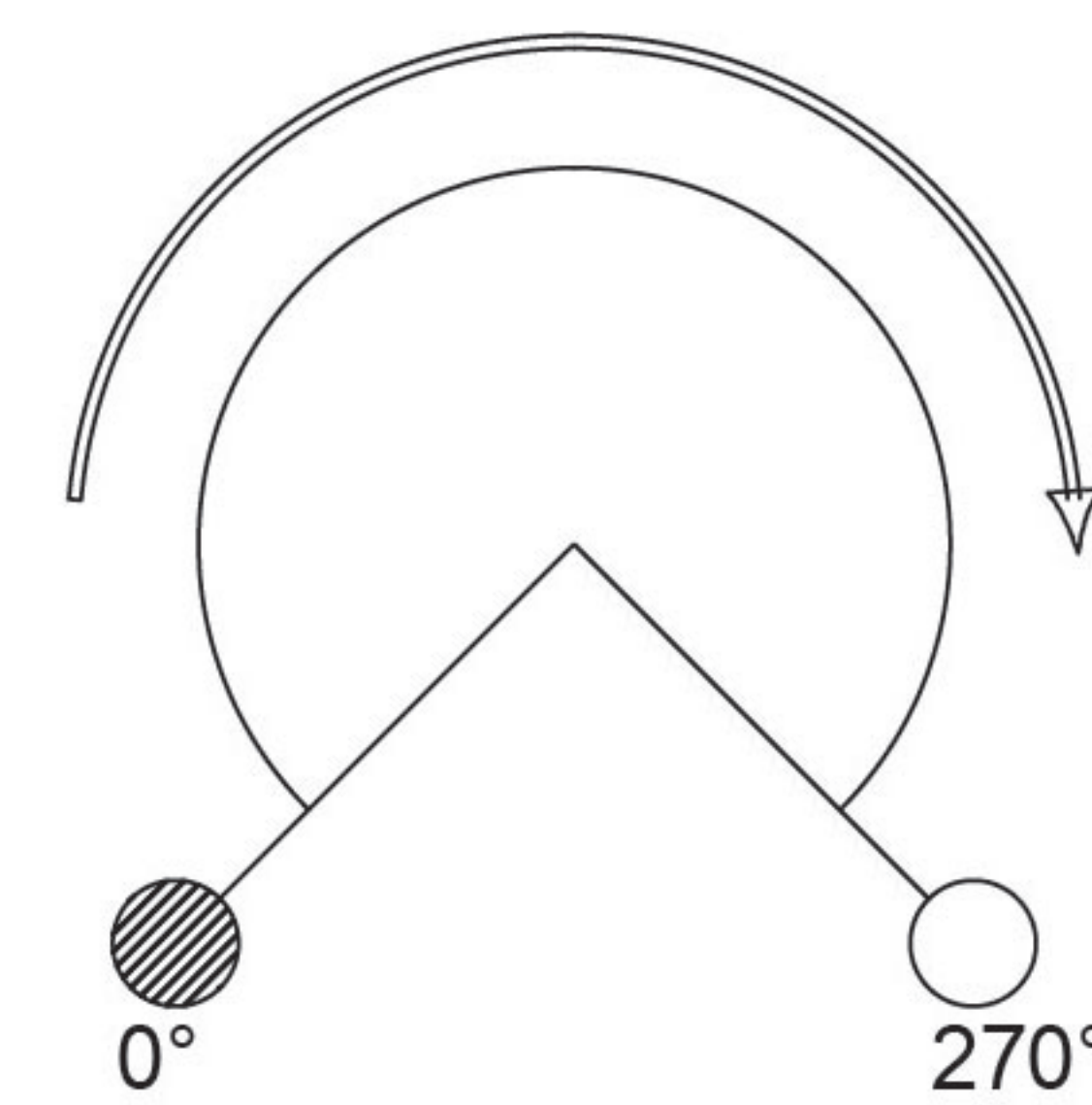
- H11 Supply voltage 5Vdc, 10% ~ 50% ~ 90%Vs ratiometer output
- H13 Supply voltage 5Vdc, 20% ~ 50% ~ 80%Vs ratiometer output
- H14 Supply voltage 5Vdc, 25% ~ 50% ~ 75%Vs ratiometer output
- H21 Supply voltage 5Vdc, 10% ~ 50% ~ 90%Vs and 90% ~ 50% ~ 10%Vs redundant ratiometer output
- H23 Supply voltage 5Vdc, 20% ~ 50% ~ 80%Vs and 80% ~ 50% ~ 20%Vs redundant ratiometer output
- H24 Supply voltage 5Vdc, 25% ~ 50% ~ 75%Vs and 75% ~ 50% ~ 25%Vs redundant ratiometer output
- W11 Supply voltage 9~32Vdc, 0.5~2.5~4.5V ratiometer output
- W13 Supply voltage 9~32Vdc, 1~2.5~4V ratiometer output
- W14 Supply voltage 9~32Vdc, 1.25~2.5~3.75V ratiometer output
- W21 Supply voltage 9~32Vdc, 0.5~2.5~4.5V and 4.5~2.5~0.5V redundant ratiometer output
- W23 Supply voltage 9~32Vdc, 1~2.5~4V and 4~2.5~1V redundant ratiometer output
- W24 Supply voltage 9~32Vdc, 1.25~2.5~3.75V and 3.75~2.5~0.5V redundant ratiometer output

## ③ Rotating wheel

- NRW Without rotating wheel
- RW1 Rotating wheel (∅52mm)
- RW2 Rotating wheel (∅66mm)



DD



SD

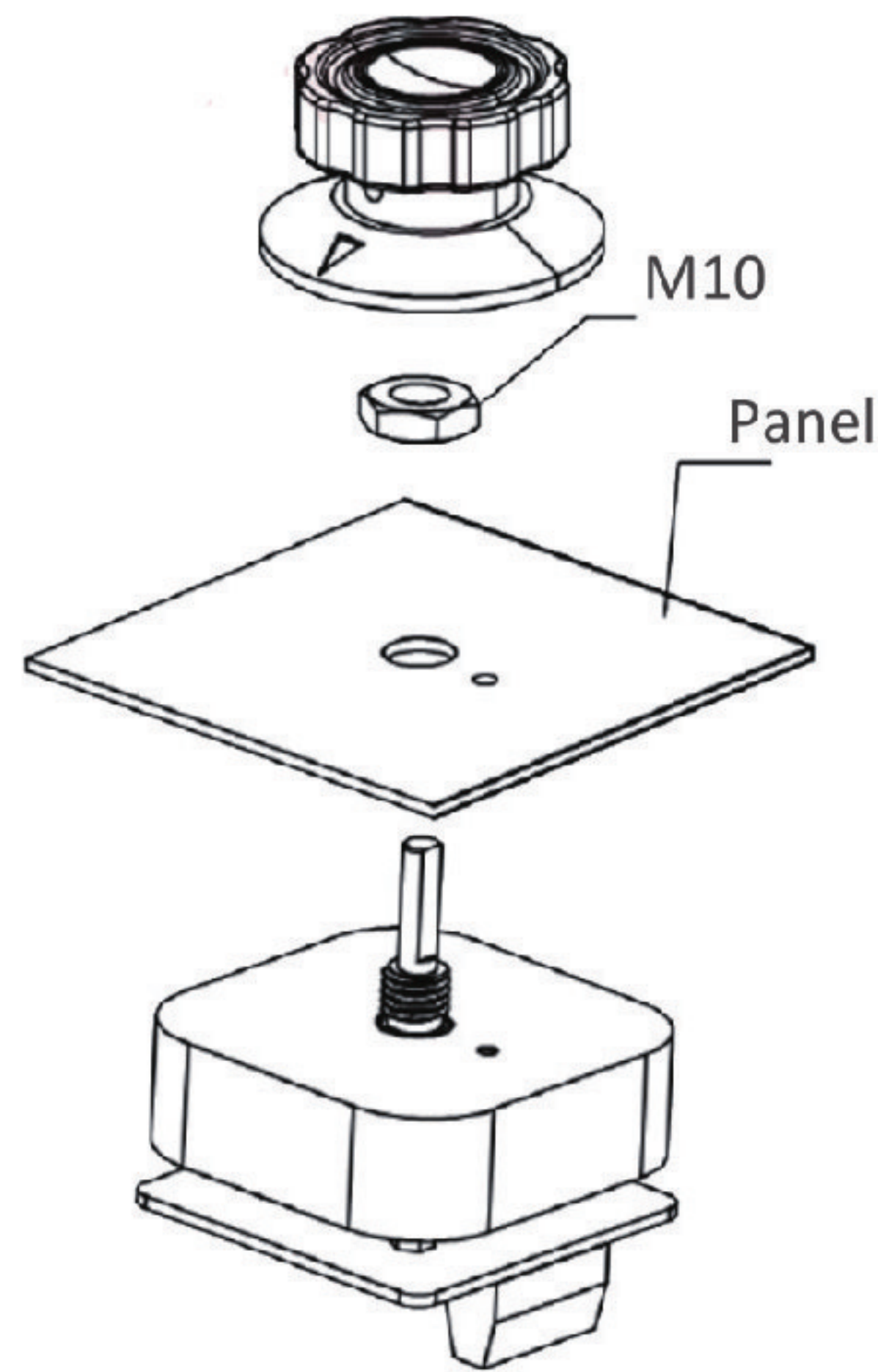
## ④ Wiring

- L Direct outlet (AF200, 28#, length 300mm)
- T Terminal discharge line (default)

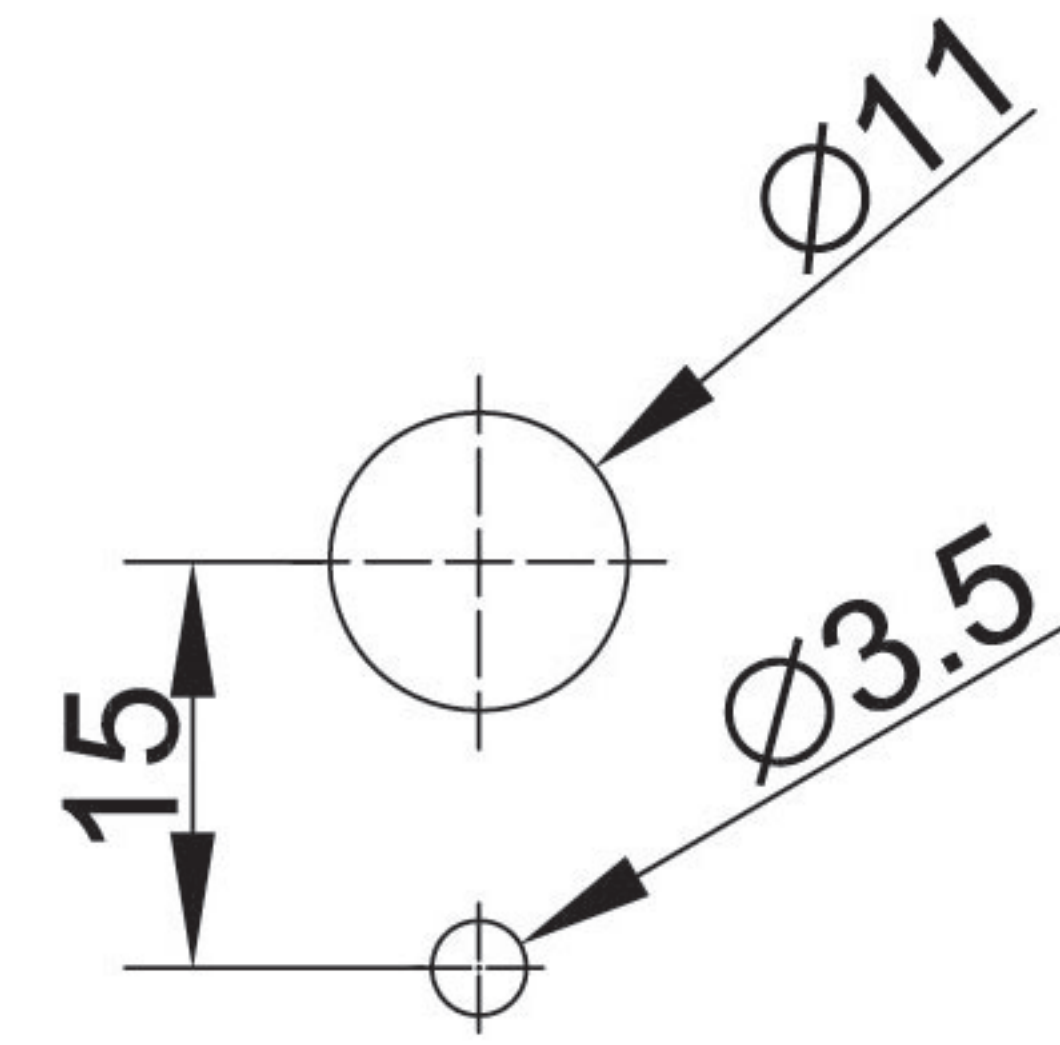
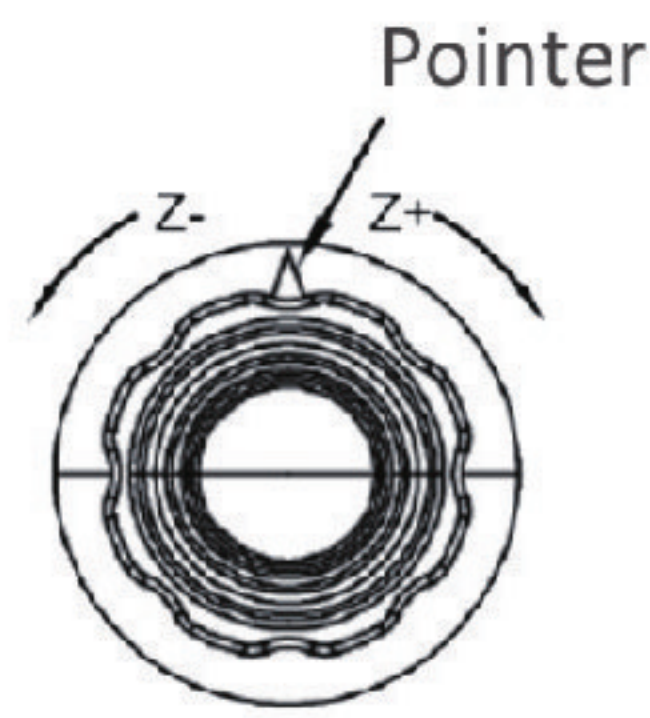


## MECHANICAL INSTALLATIONS

» » » » » » » » » »



Installation diagram



Panel cut-out

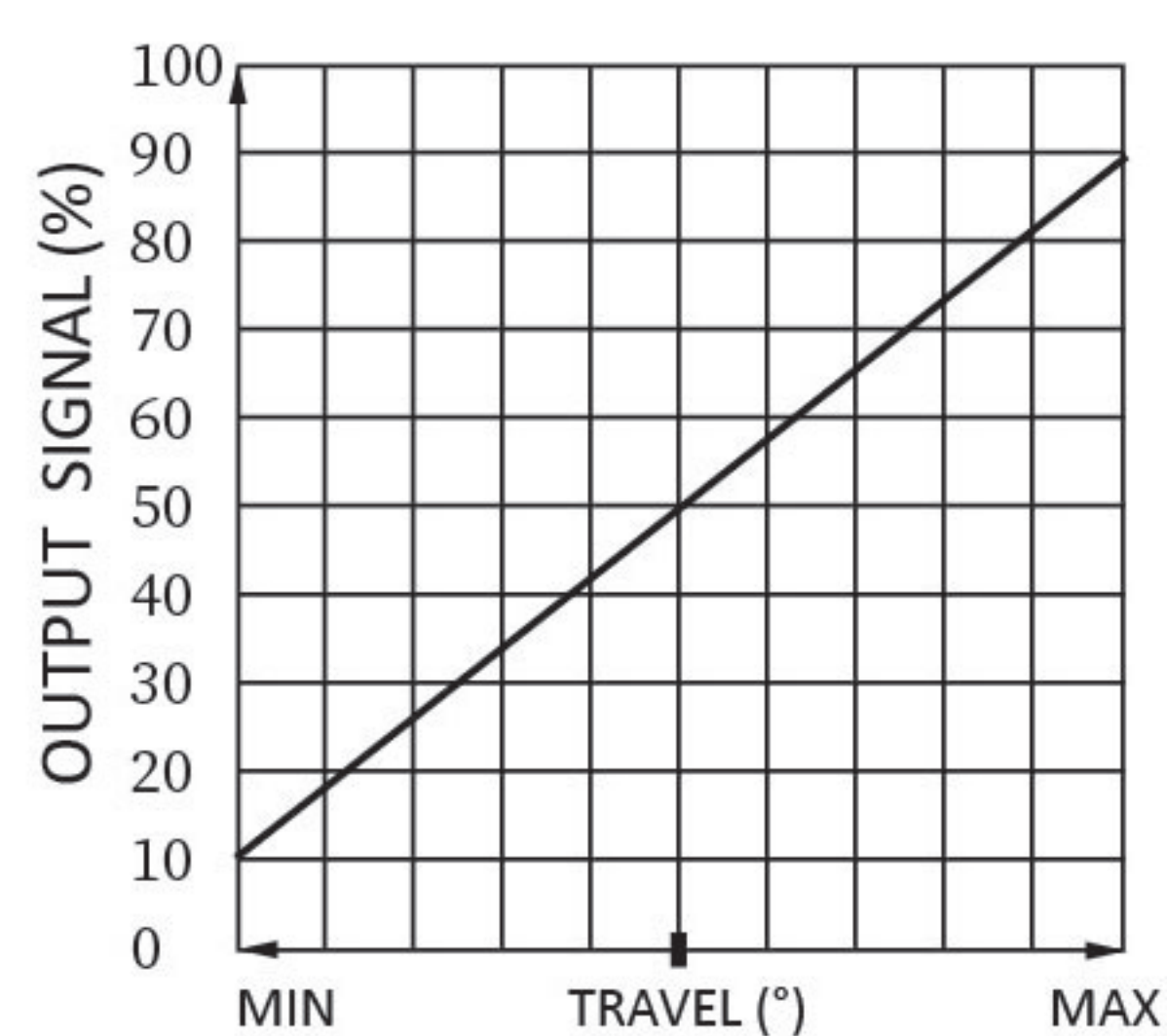
Note:the thickness of the panel<4mm

## ELECTRICAL CONNECTIONS

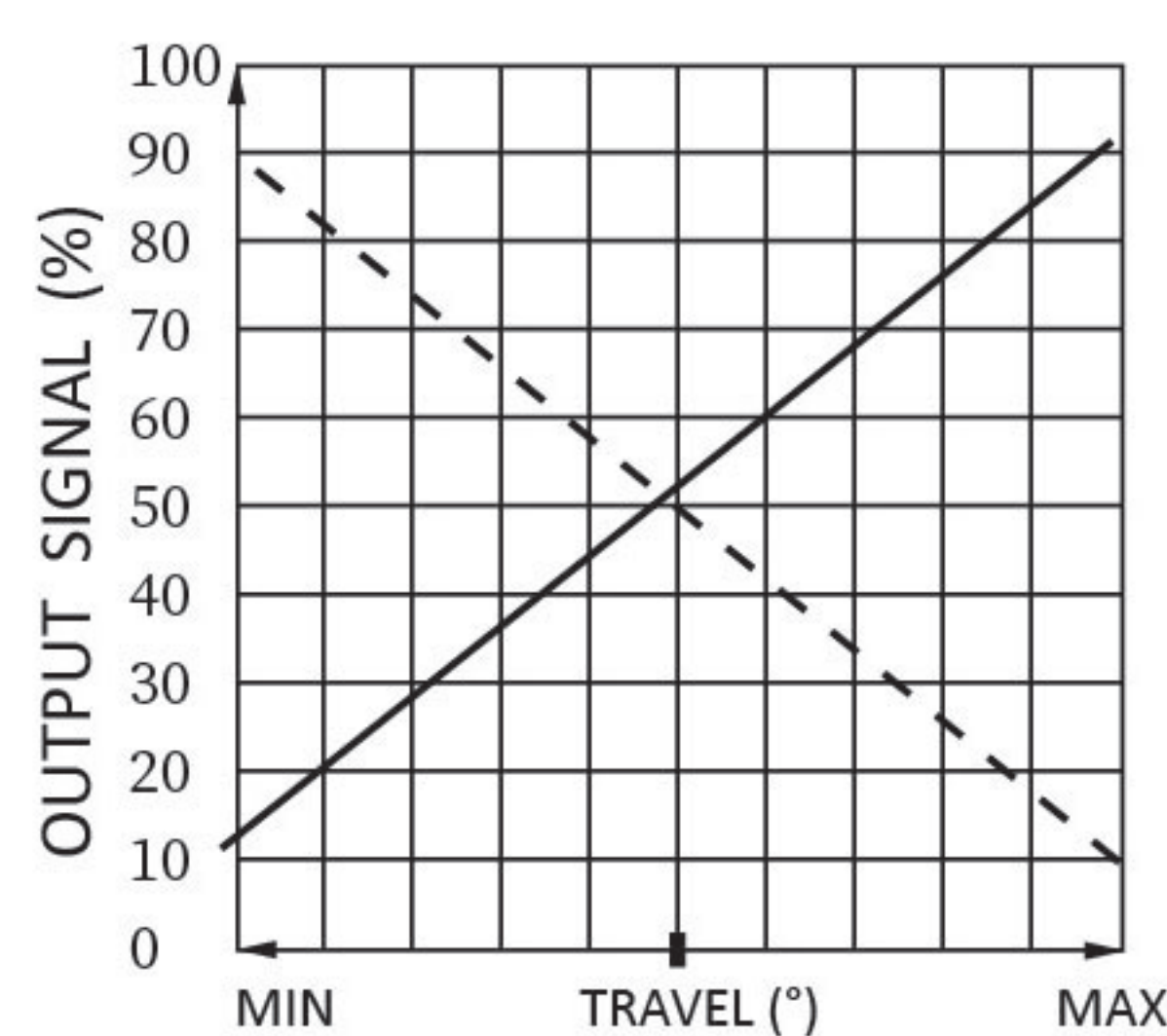
» » » » » » » » » »

NO.	Function
J1-1	9-32VAdc
J1-2	GND
J1-3	5Vdc
J1-4	A-out
J1-5	B-out

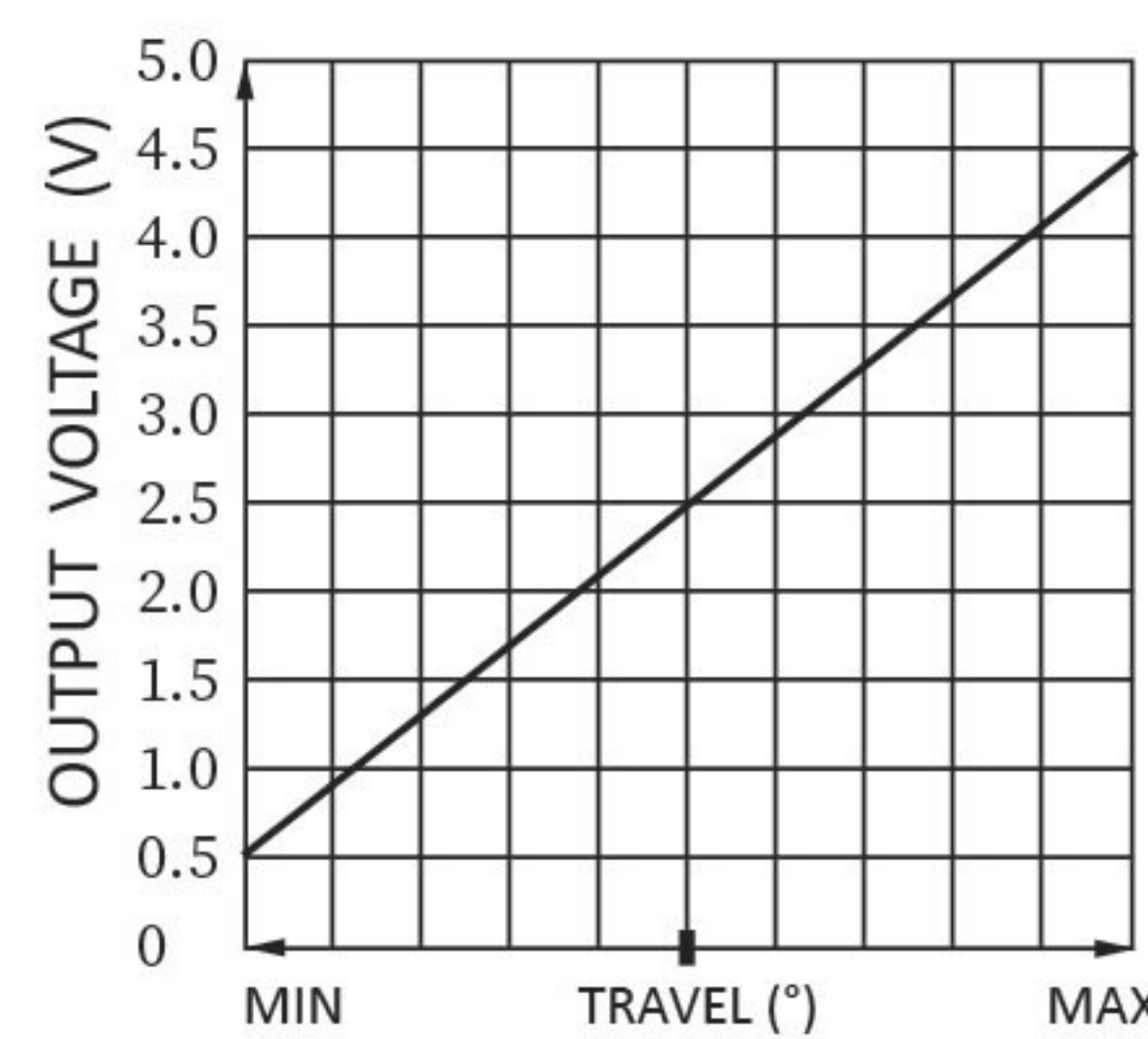
## OUTPUT SIGNAL CURVE » » » » » » » » » »



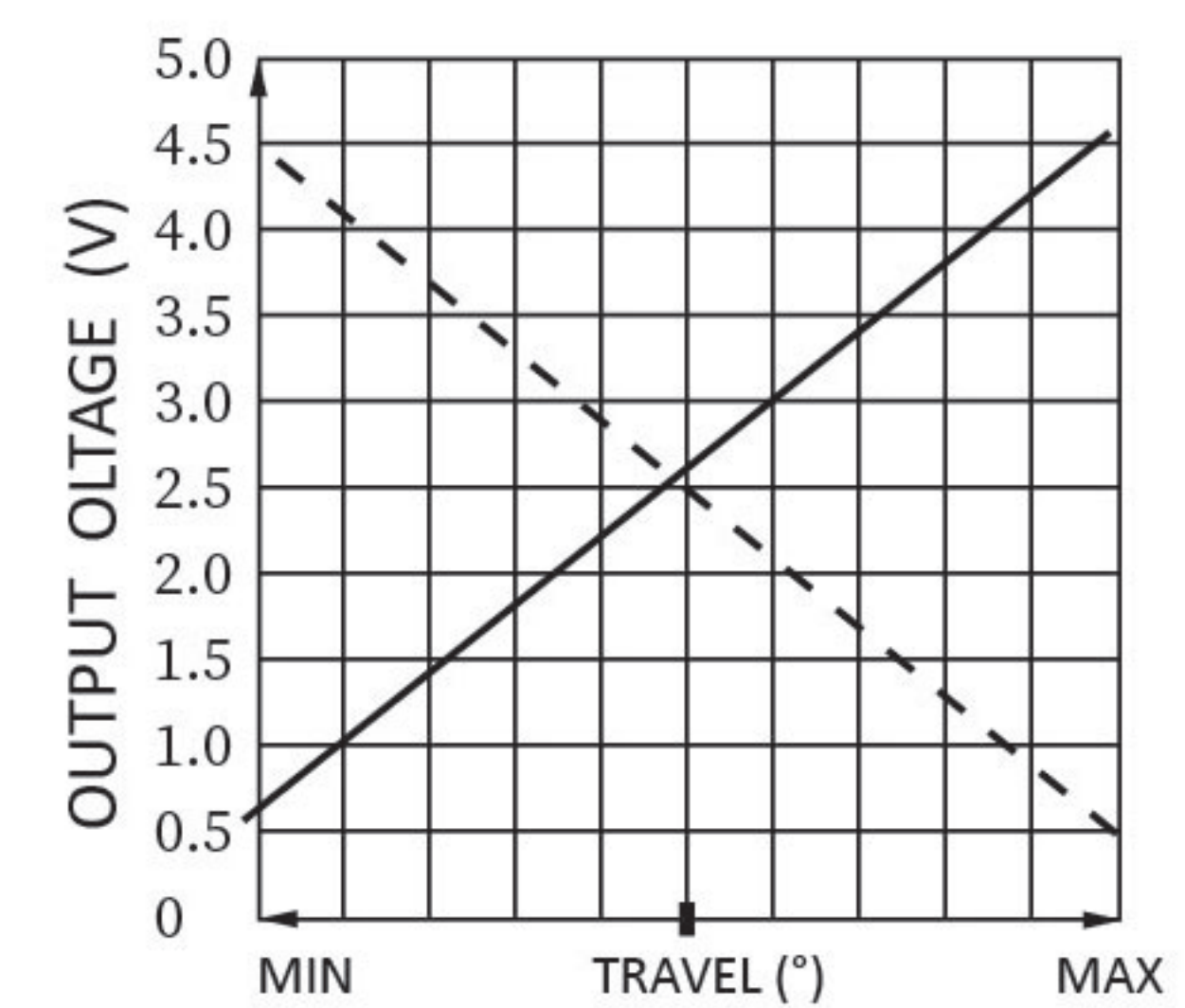
H11



H21



W11



W21