

FJ12 SERIES

PRODUCT FEATURES

»

- Compact design,easy to be mounted side by side
- Fingertip-operated,single axis,spring return
- Non-contacting hall effect technology,high reliability,long service life
- Supply voltage 5V or 9-32Vdc

MARKET FOCUS

»

- Control panel of various construction machinery
- Control panel and armrest box of material handling machinery
- Industrial remote controller



Single axis fingertip joystick



TECHNICAL SPECIFICATIONS

» » » » » » » » » »

Mechanical data

Travel angle:±30°
 Mechanical life:>5 million cycles
 Operating force:2-5N
 Maximum allowable force:140N
 Product weight:Appr.35g

Electrical data

Supply voltage:5.0 ± 0.5Vdc or 9~32Vdc
 Power current consumption:<11mA (per channel)
 Center voltage:2.5 ± 0.1V
 Output linearity tolerance:±3%
 Maximum overload voltage:20Vdc
 Maximum Reverse voltage:-10Vdc
 Load resistance:>10KΩ
 Insulation resistance:>1000MΩ
 EMC:100V/m

Environmental data

Operating temperature -20°C~+70°C	Storage temperature -40°C~+85°C	Protection class(IP) IP65 (above the panel)
--------------------------------------	------------------------------------	---

ORDERING CODES

» » » » » » » » » »

FJ12 -① -②-③

②Paddle Color

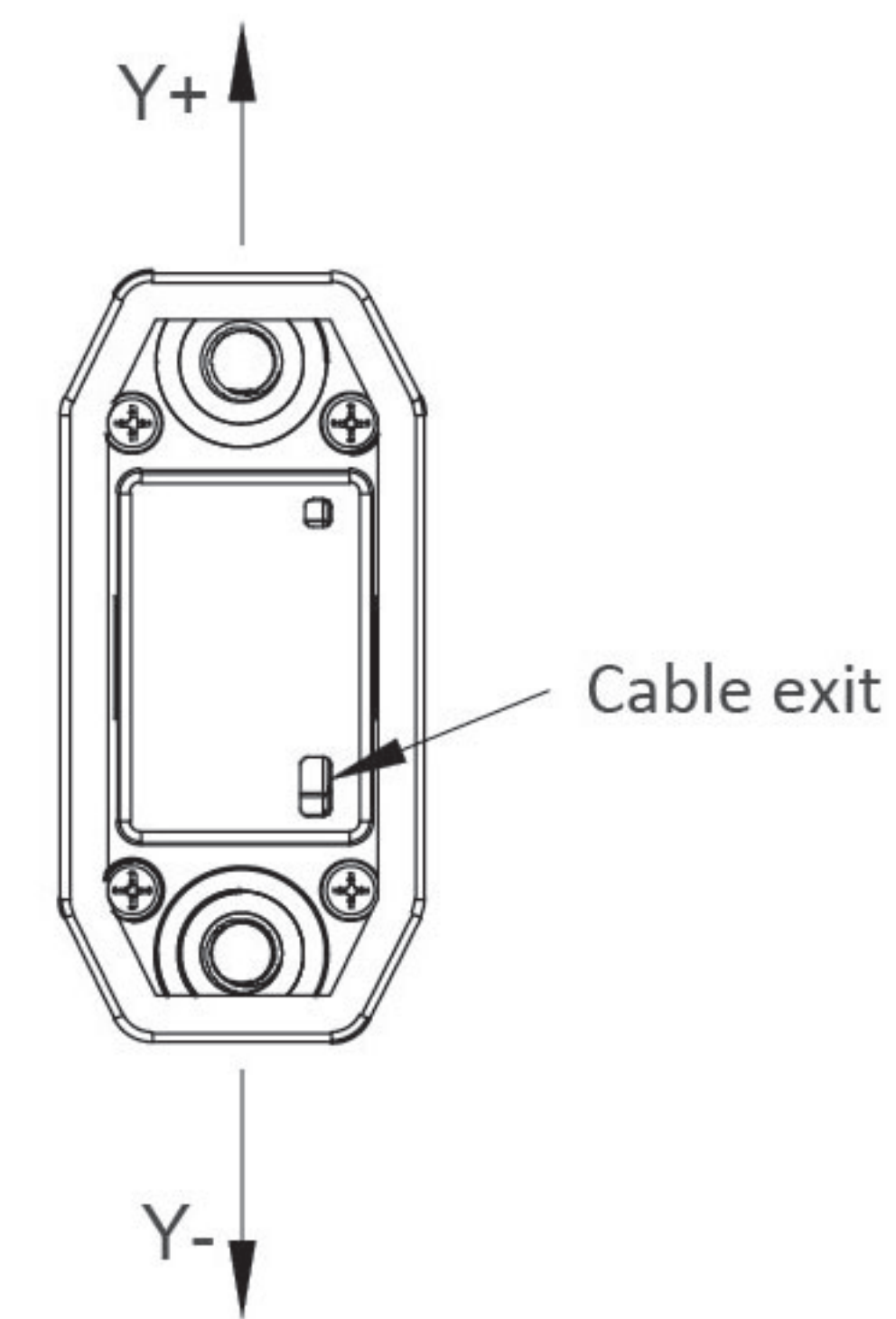
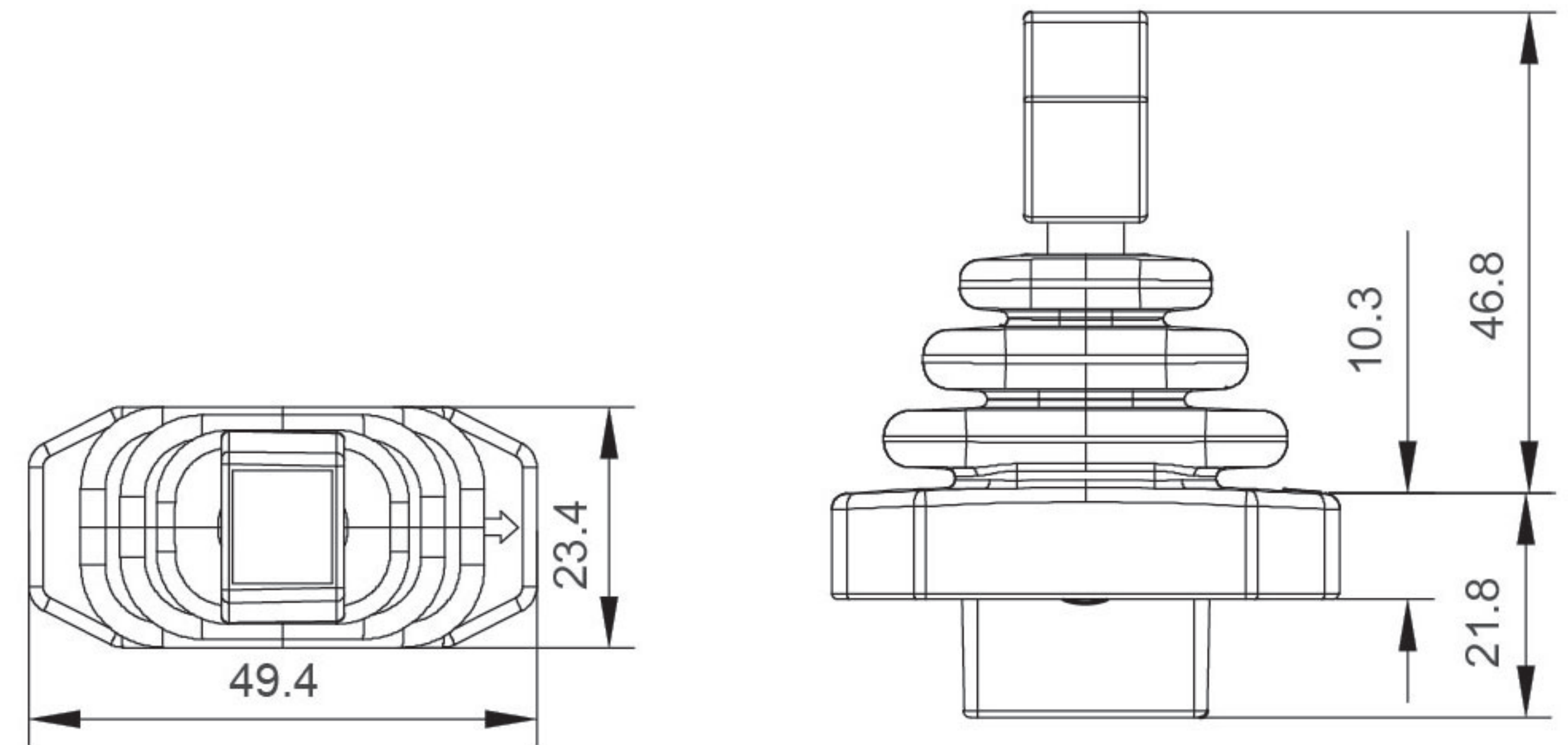
- 1 Black
- 2 Red

③Wiring

- L Cable wiring (AF200,28#,length 300mm)

SHAPE DIMENSIONS

» » » » » » » » » »



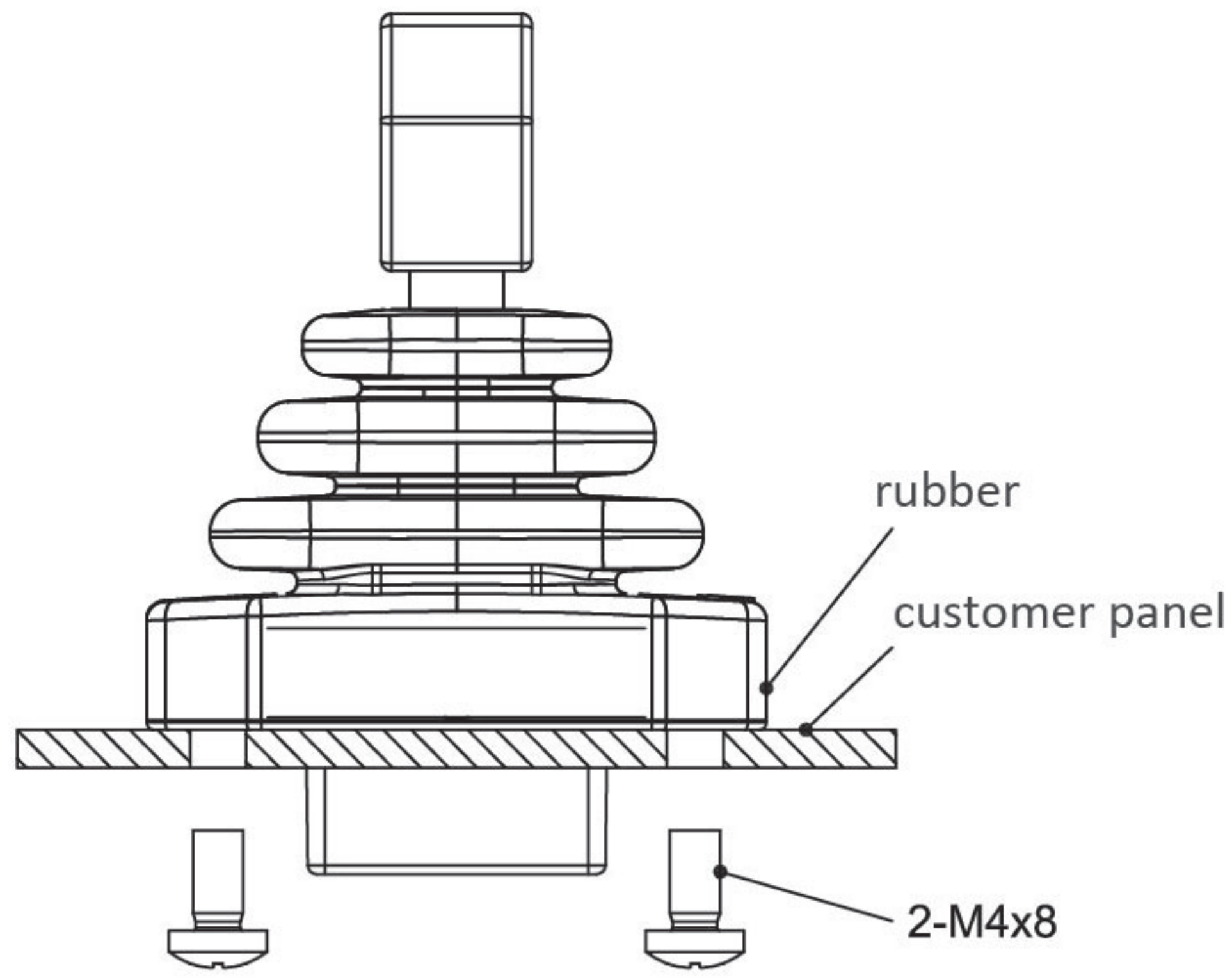
FJ12P_shape

①Output signal

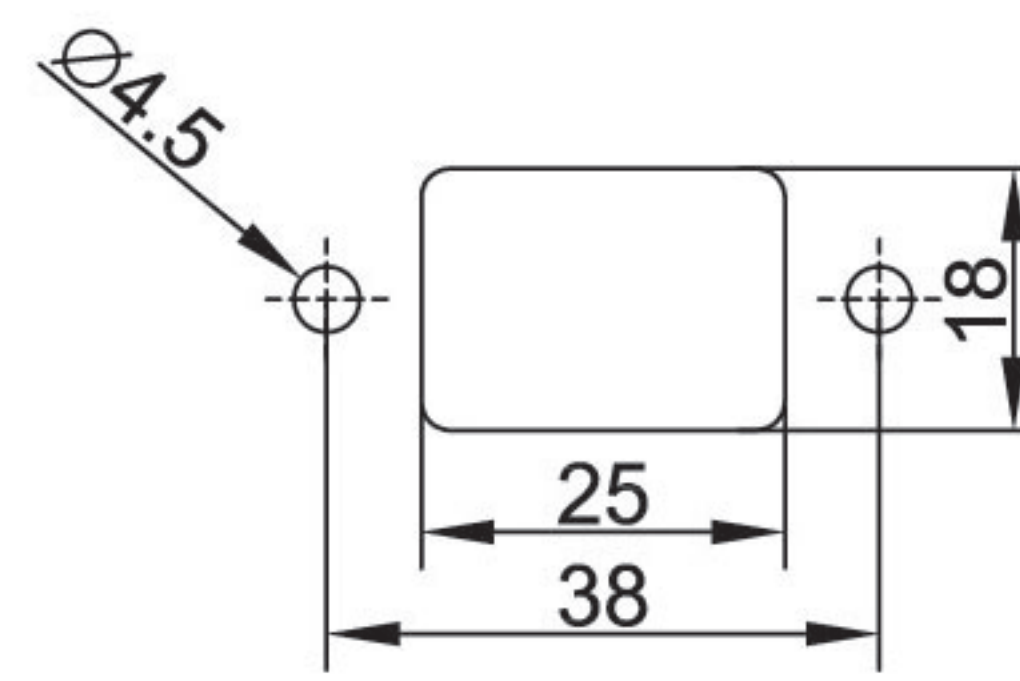
- H11 Supply voltage 5Vdc,10%~50%~90%Vs ratiometer output
- H13 Supply voltage 5Vdc,20%~50%~80%Vs ratiometer output
- H14 Supply voltage 5Vdc,25%~50%~75%Vs ratiometer output
- H21 Supply voltage 5Vdc,10%~50%~90%Vs and 90%~50%~10%Vs redundant ratiometer output
- H23 Supply voltage 5Vdc,20%~50%~80%Vs and 80%~50%~20%Vs redundant ratiometer output
- H24 Supply voltage 5Vdc,25%~50%~75%Vs and 75%~50%~25%Vs redundant ratiometer output
- L11 Supply voltage 3.3V, 10%~50%~90%Vs output
- W11 Supply voltage 9~32Vdc,0.5~2.5~4.5V ratiometer output
- W13 Supply voltage 9~32Vdc,1~2.5~4V ratiometer output
- W14 Supply voltage 9~32Vdc,1.25~2.5~3.75V ratiometer output
- W21 Supply voltage 9~32Vdc,0.5~2.5~4.5V and 4.5~2.5~0.5V redundant ratiometer output
- W23 Supply voltage 9~32Vdc,1~2.5~4V and 4~2.5~1V redundant ratiometer output
- W24 Supply voltage 9~32Vdc,1.25~2.5~3.75V and 3.75~2.5~0.5V redundant ratiometer output

FJ12

MECHANICAL INSTALLATIONS» » » » » » » » » »



Installation diagram

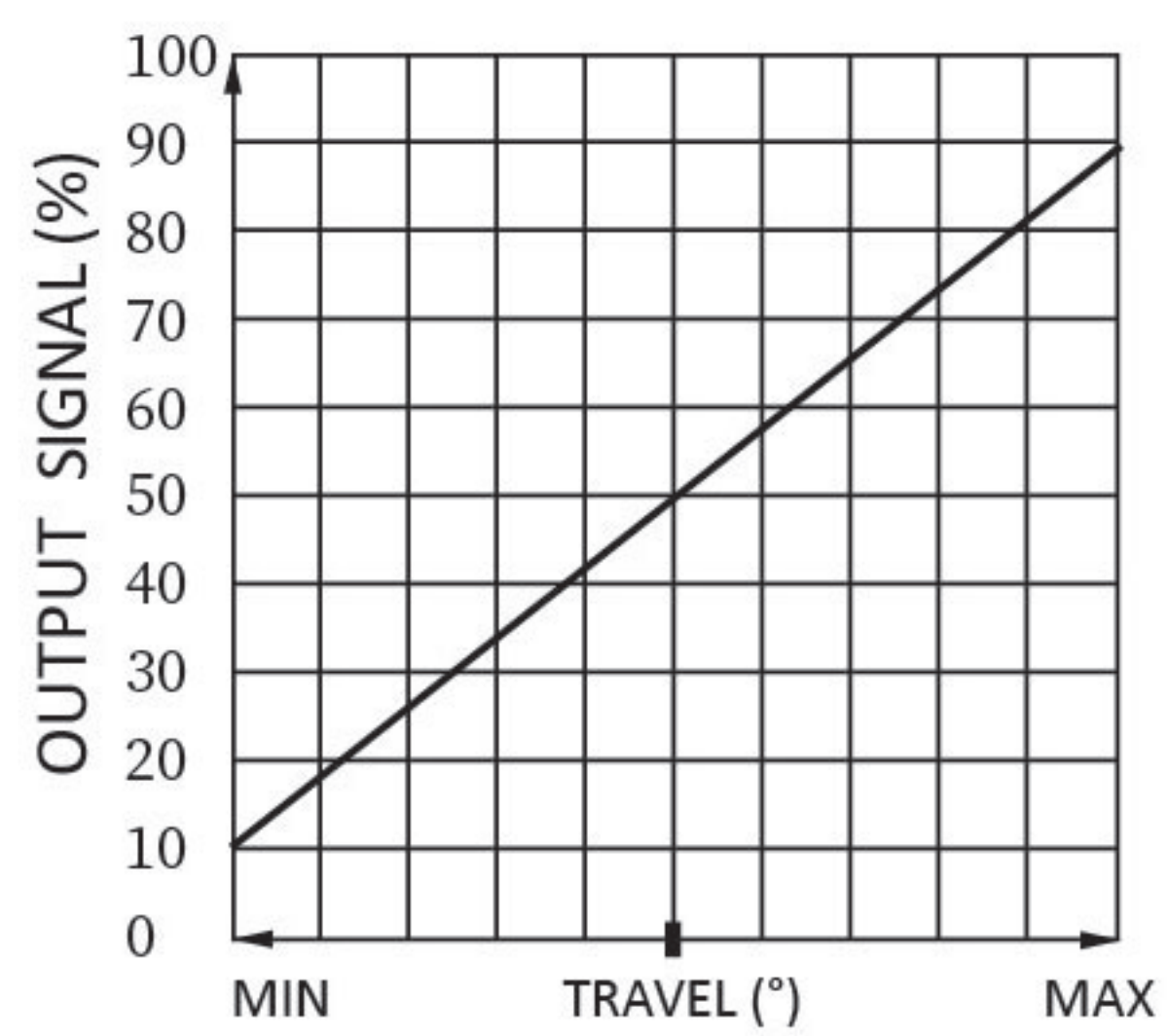


Panel cut-out

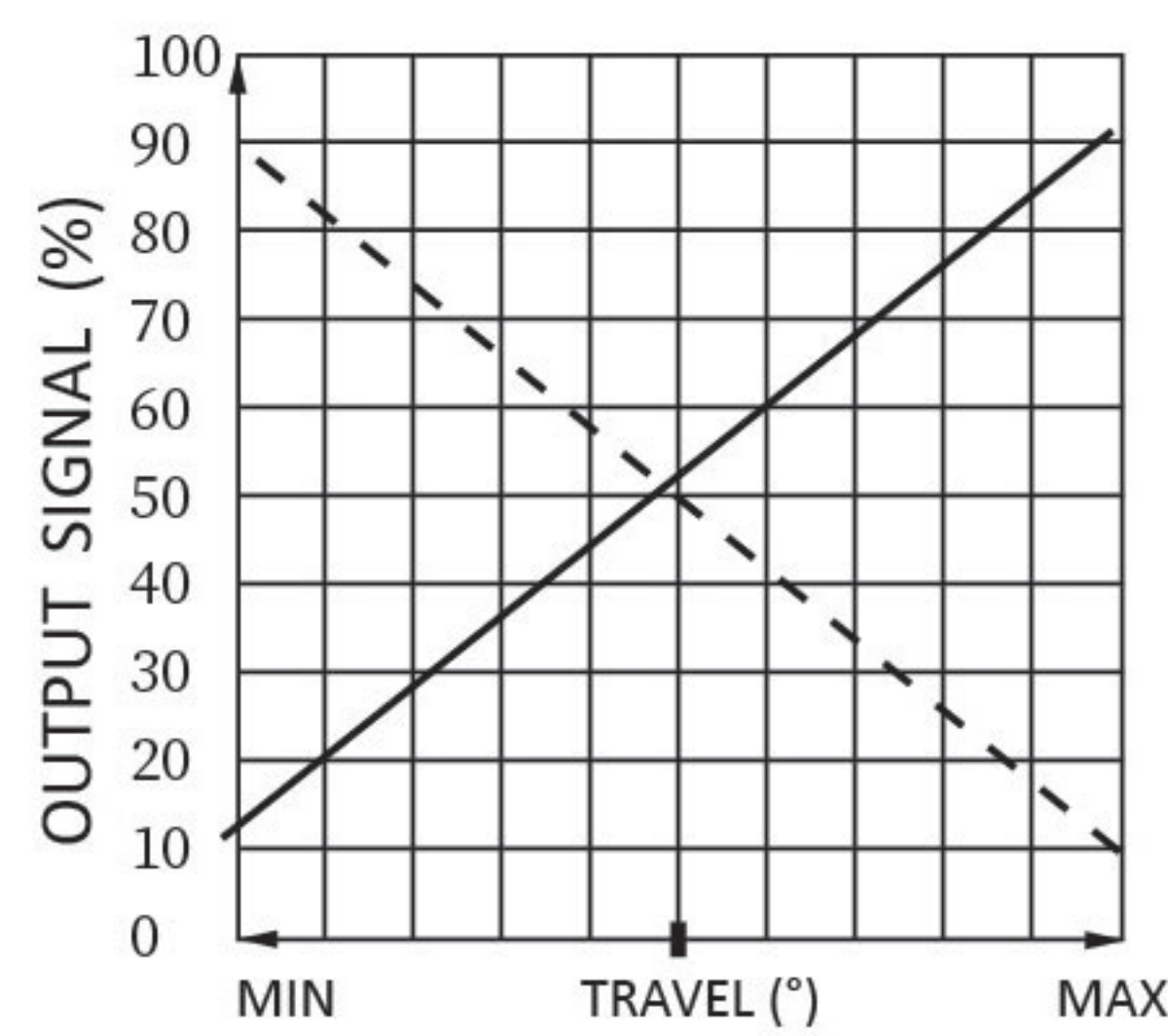
ELECTRICAL CONNECTIONS» » » » » » » » » »

Function description			
No.	Color	Hall Effect	Redundant hall effect
1	Red	5Vdc	9~32Vdc
2	Black	0Vdc	0Vdc
3	Purple	--	5Vdc
4	Yellow	A-out	A-out
5	Green	--	B-out

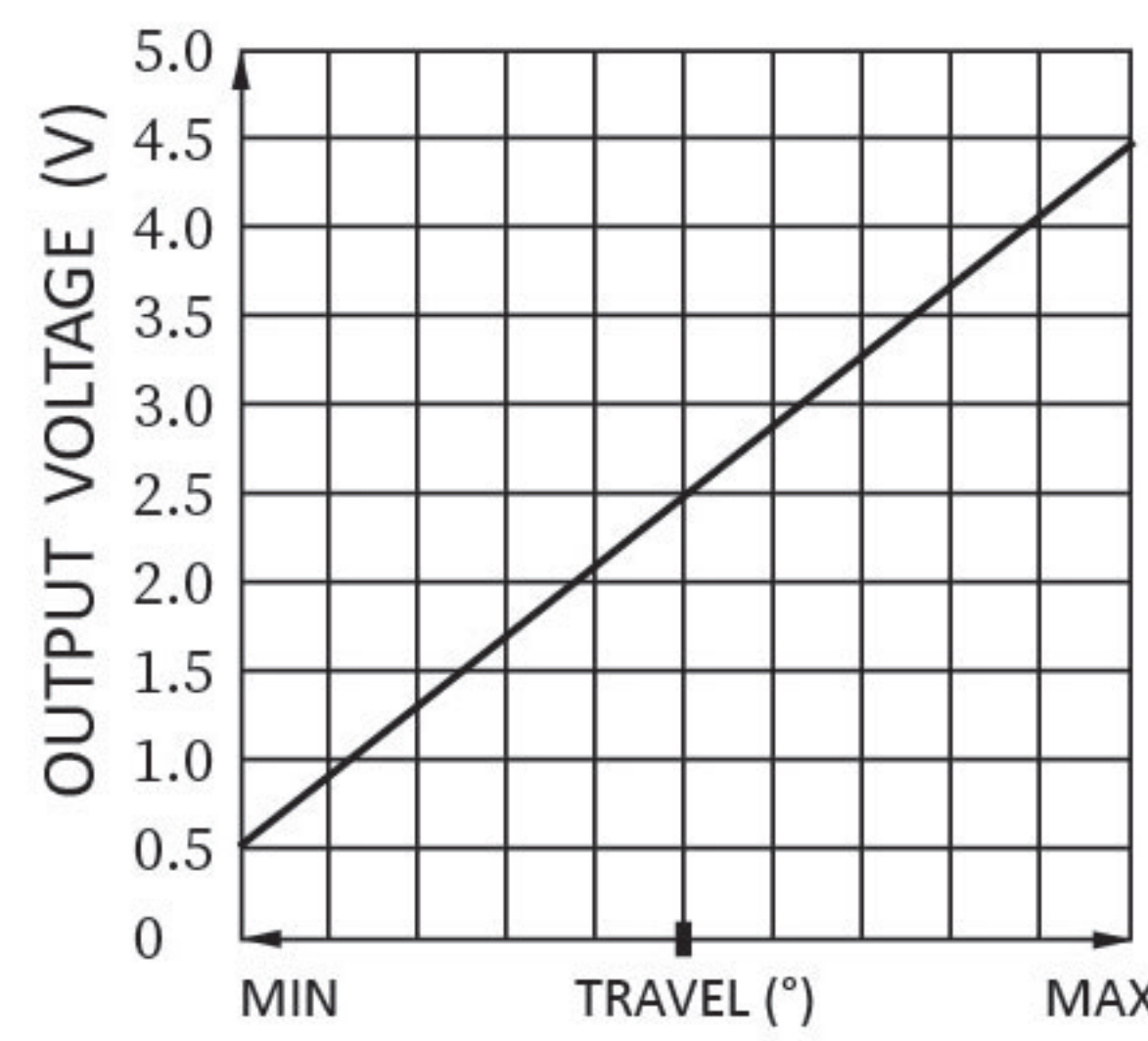
OUTPUT SIGNAL CURVE» » » » » » » » » »



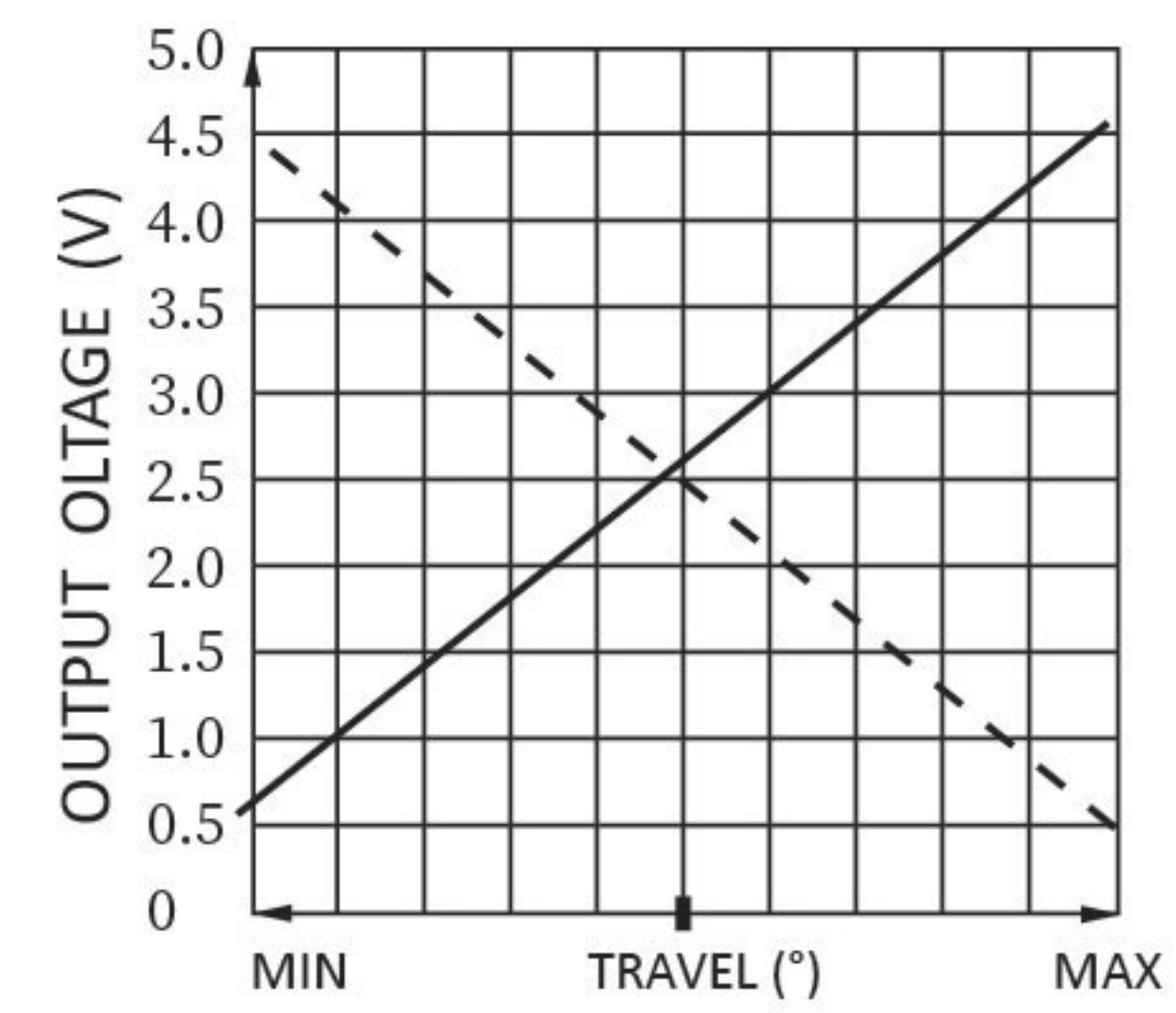
H11



H21



W11



W21