

# C8 SERIES

## PRODUCT FEATURES

»

- Single axis or multi-axis operation, spring return
- Robust design, applicable for severe environment
- Non-contacting Hall effect technology, high reliability, long life span
- Various types of handles option

## MARKET FOCUS

»

- Electro-hydraulic control
- Apply to construction machinery, hoisting machinery, aerial work machinery



Robust multi-axis joystick



# TECHNICAL SPECIFICATIONS



## Mechanical data

- Tavel angle:±18°
- Operating force:8~16N
- Maximum allowable force:300N
- Mechanical lifetime:5 million cycles
- Product weight:600g

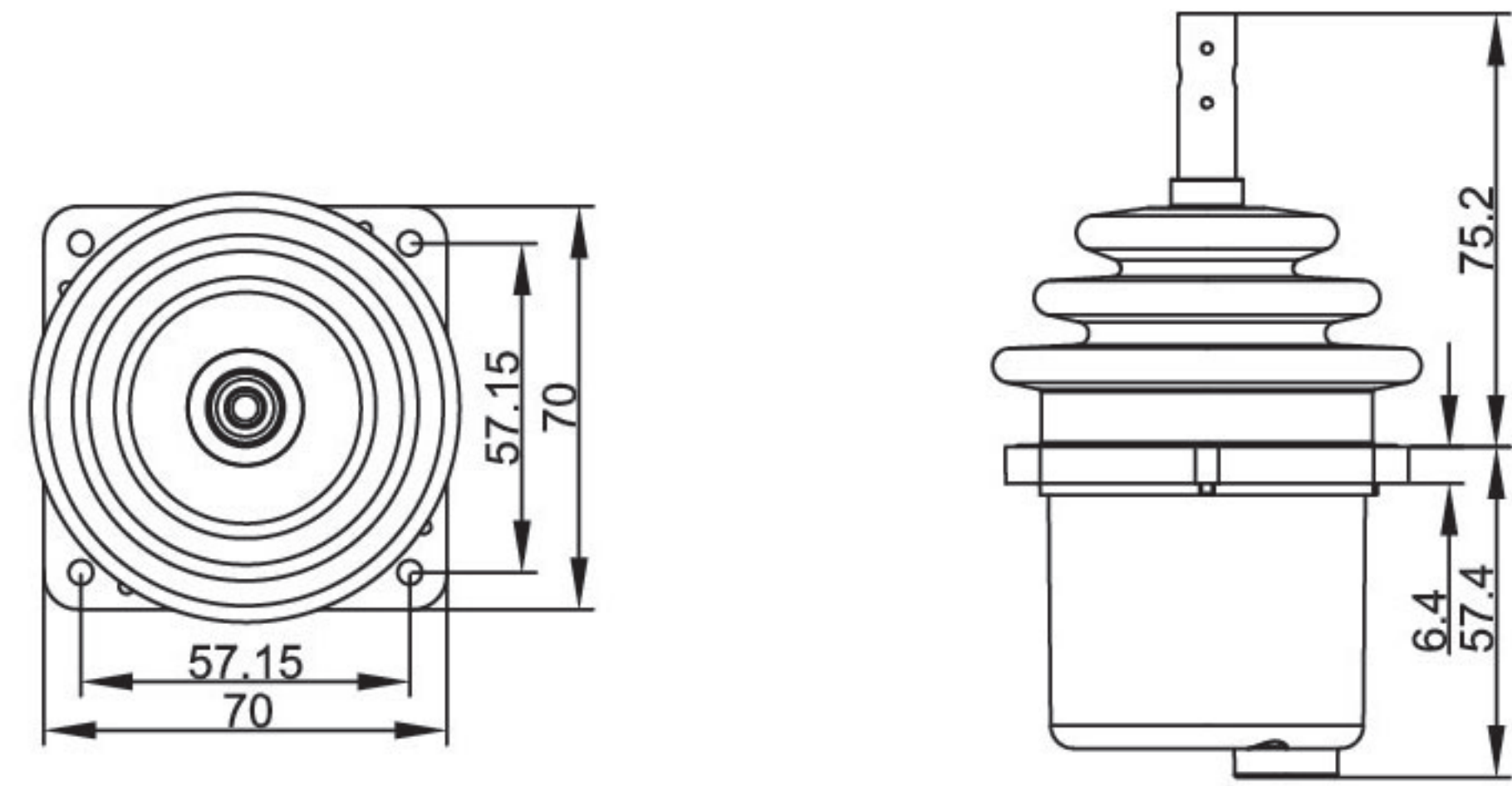
## Electrical data

- Supply Voltage:5.0±0.5Vdc or 9~32Vdc
- Power current consumption:<11mA (per channel)
- Center Voltage:2.5±0.1Vdc
- Maximum output linearity tolerance:±3%
- Maximum overload voltage:20Vdc
- Maximum reverse voltage:-10Vdc
- Load resistance:>10KΩ
- Insulation resistance:>1000MΩ
- EMC:100V/m

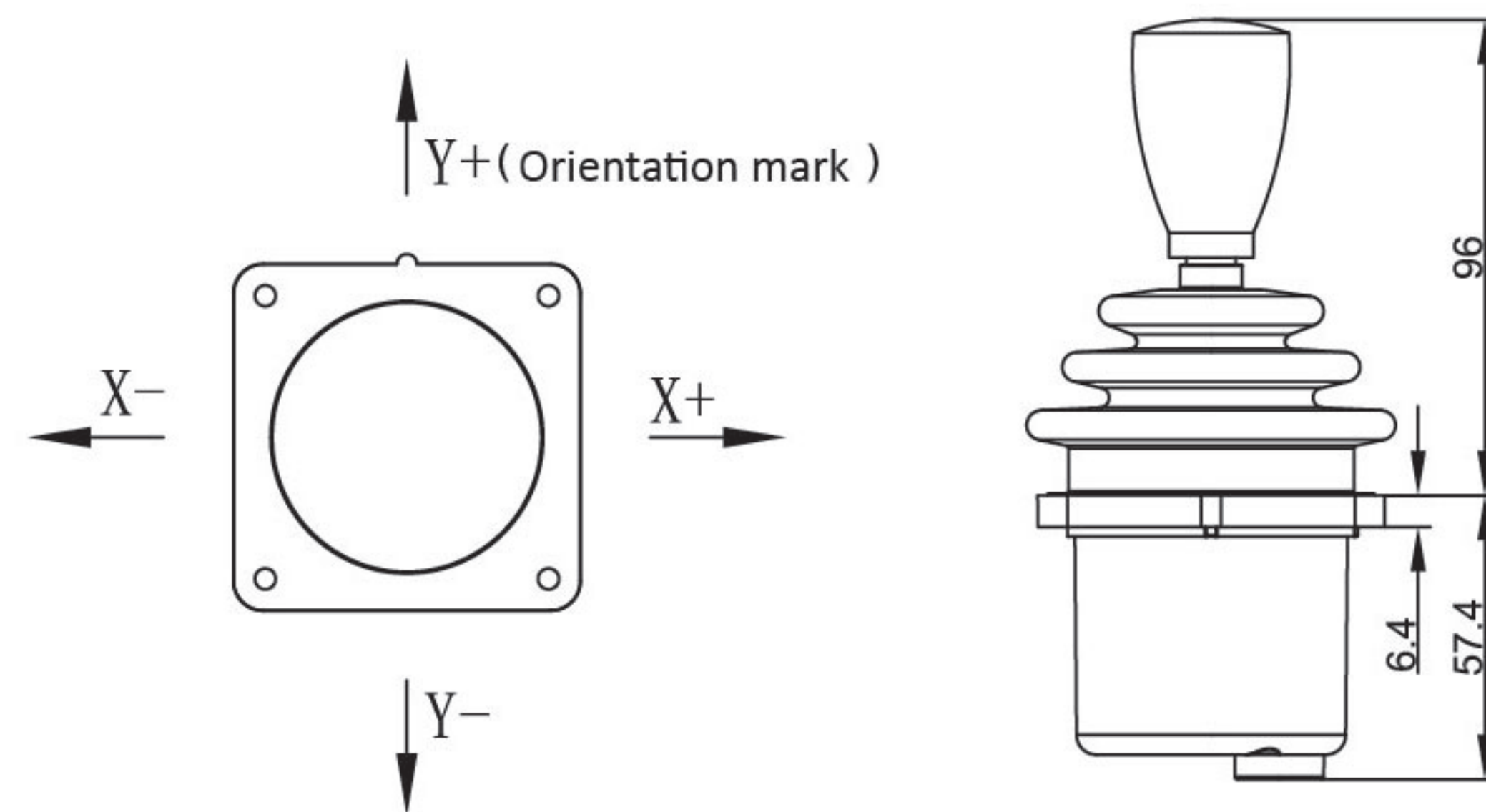
## Environmental data

<p>Operating temperature -40°C~+85°C</p>	<p>Storage temperature -40°C~+85°C</p>	<p>IP Grade IP65 (above the panel)</p>
--	--	--

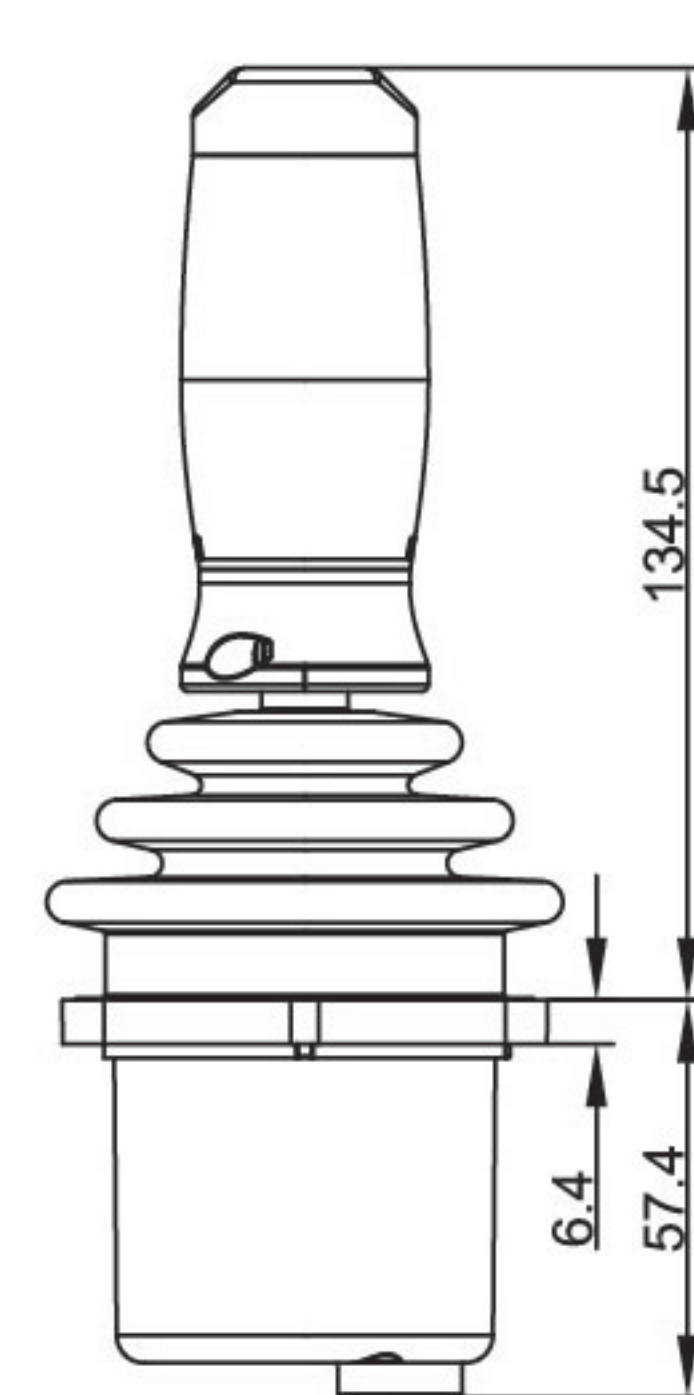
# SHAPE DIMENSIONS



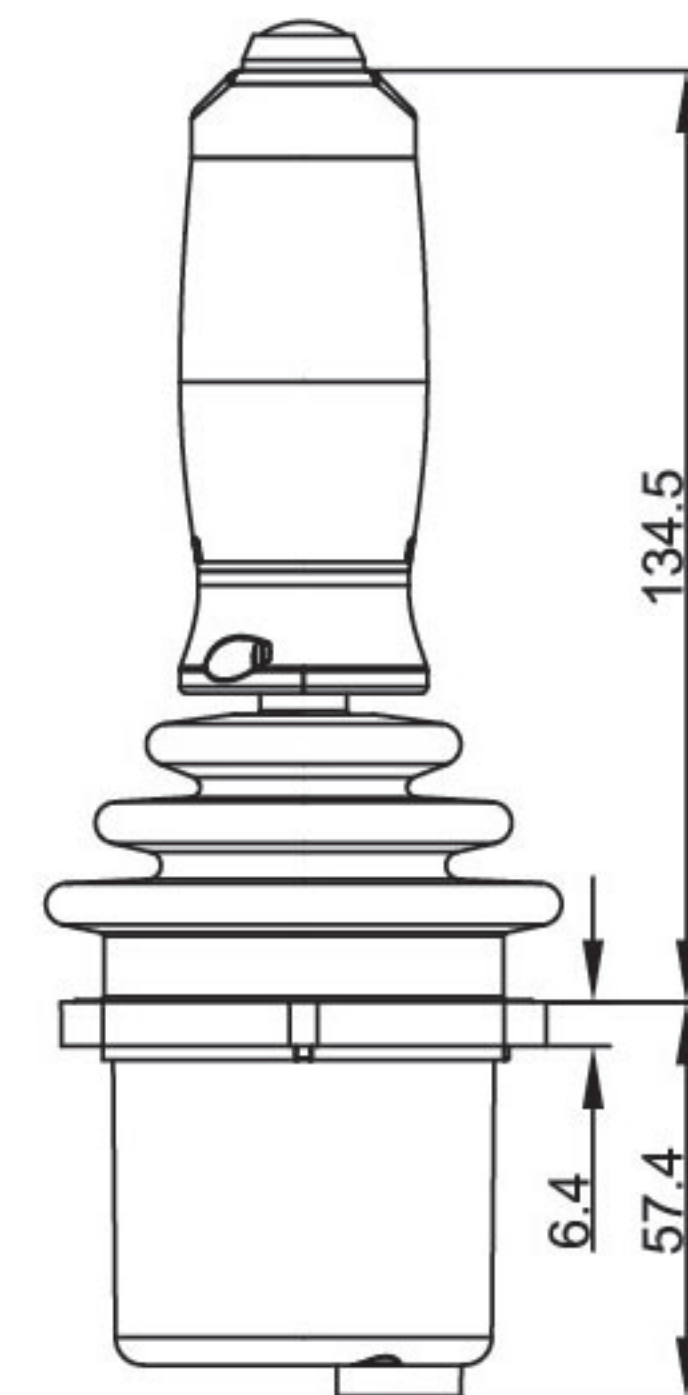
C8P\_installation



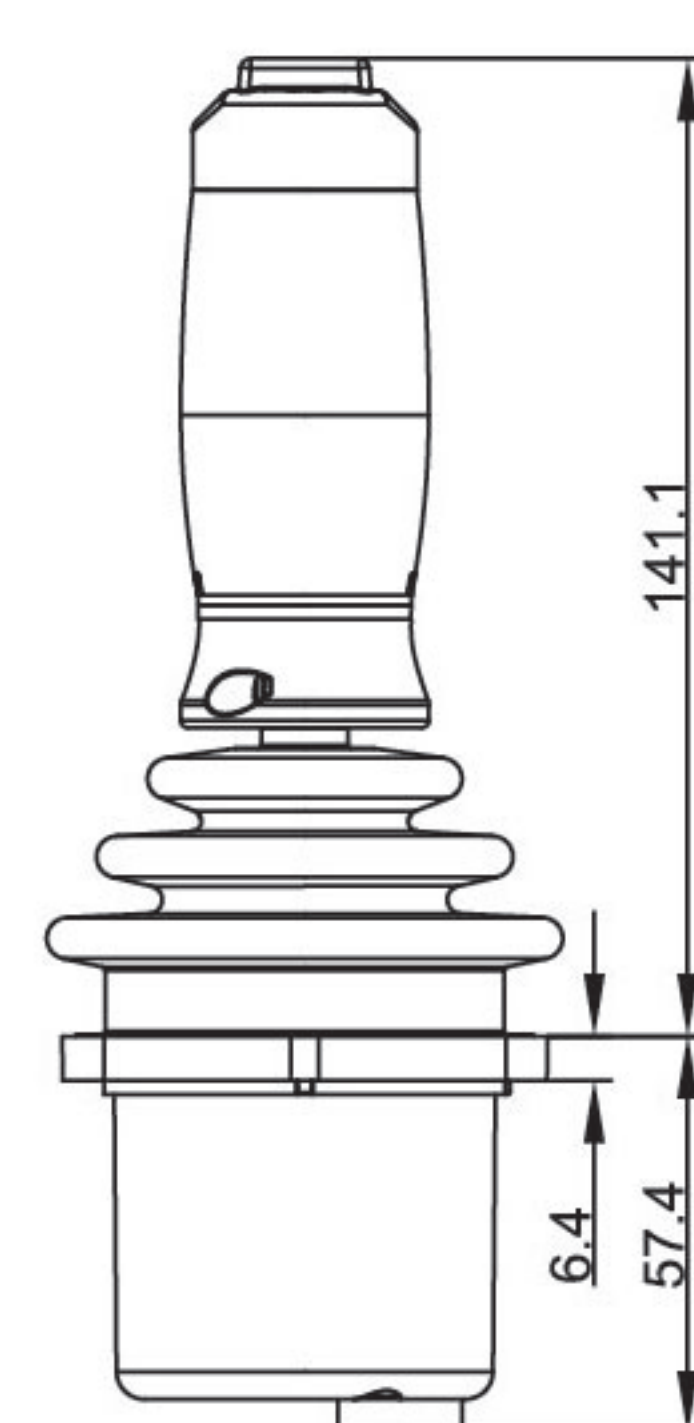
HA handle



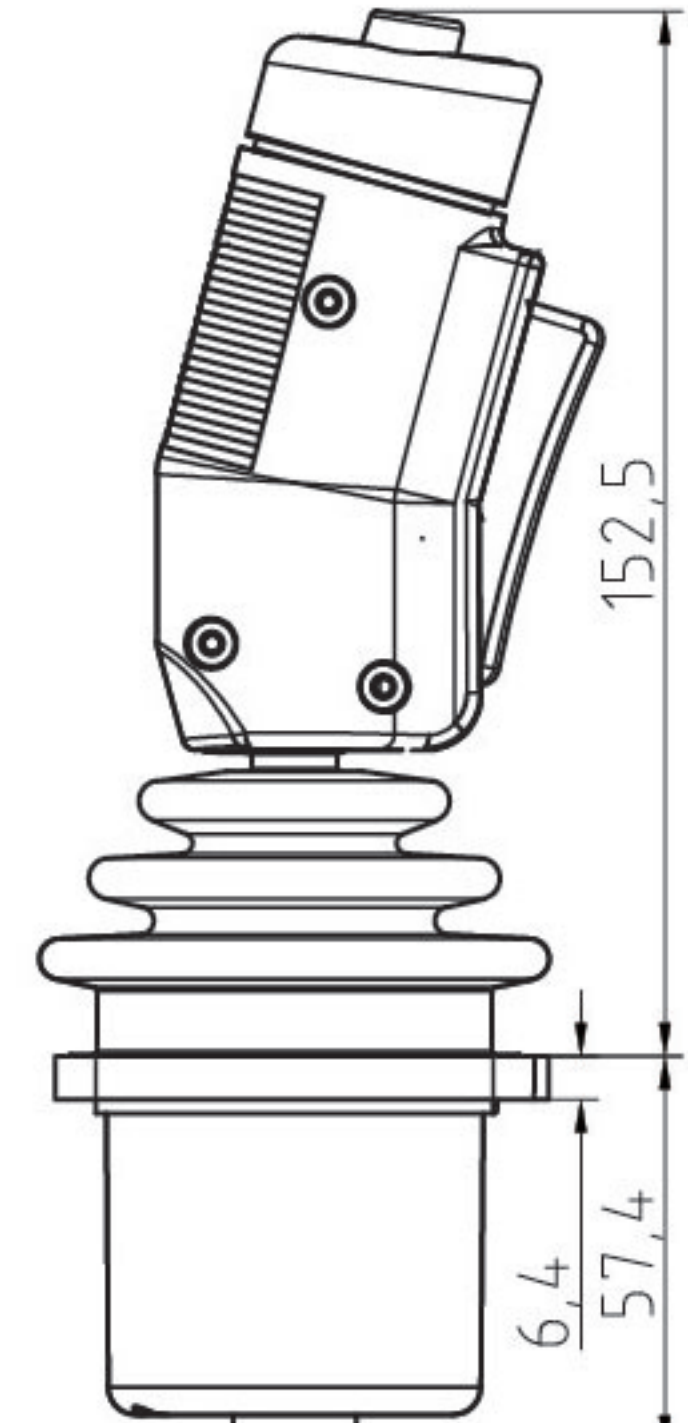
HB handle



HBS handle



HBR handle

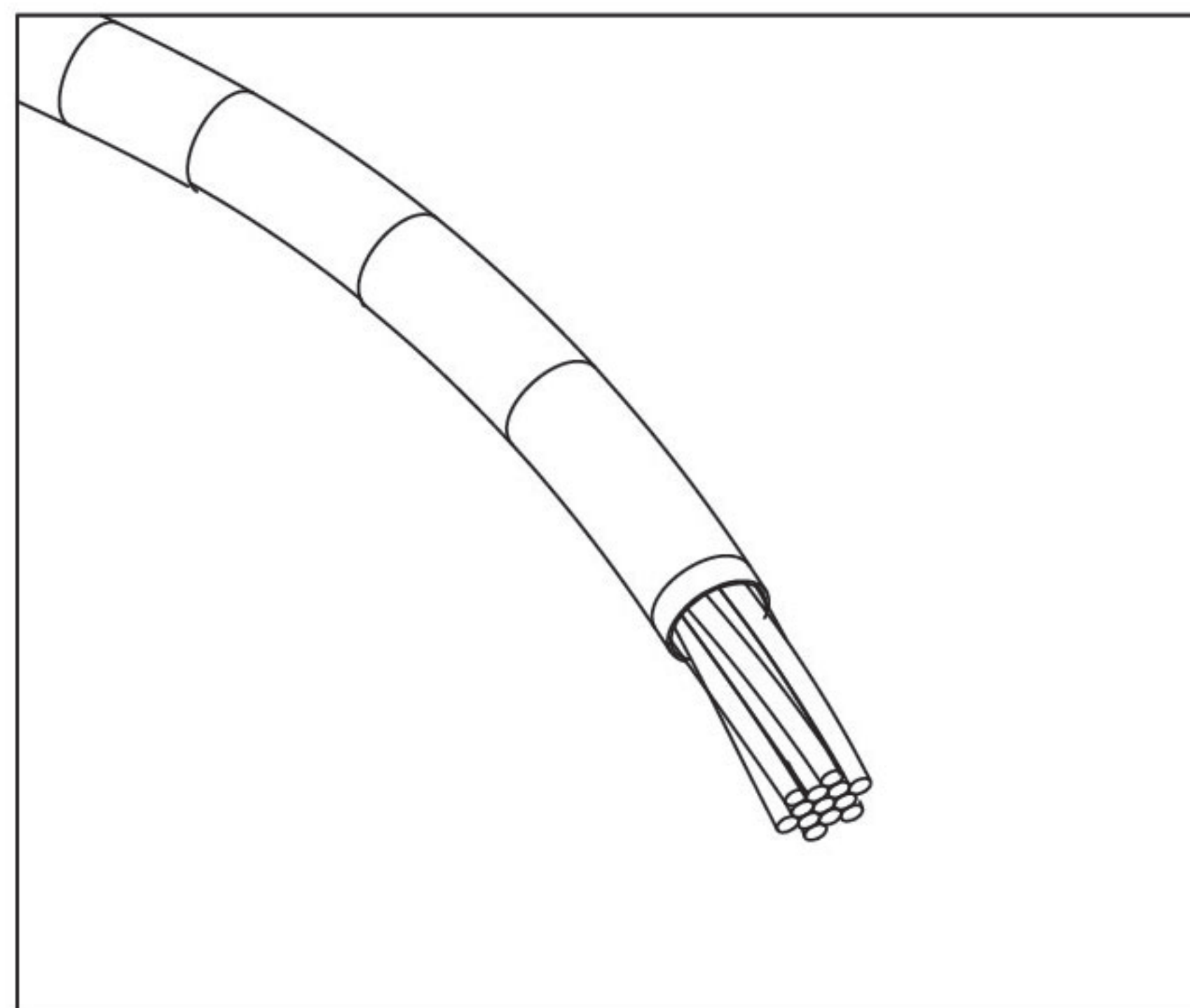


K5 handle



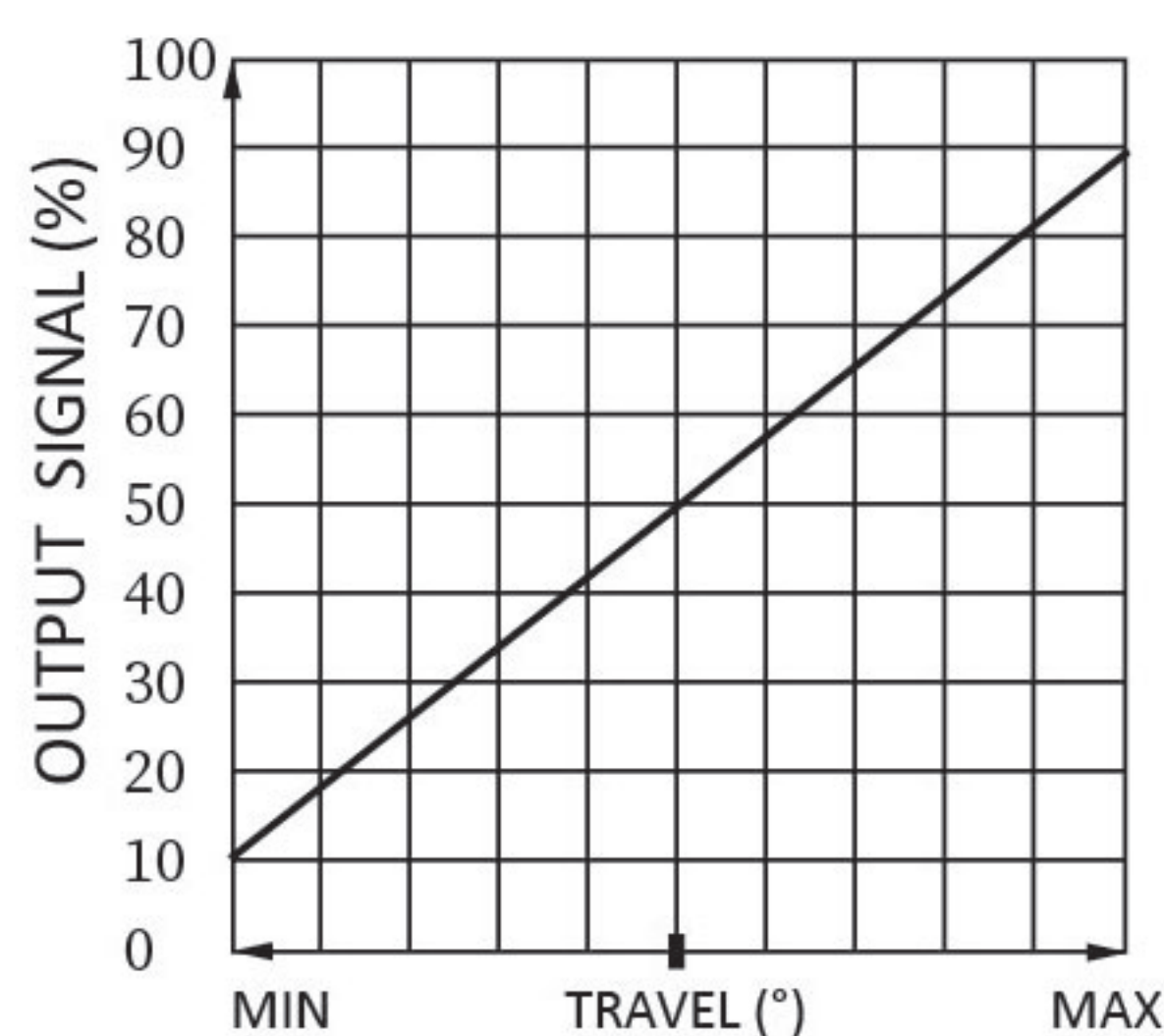
## ELECTRICAL CONNECTIONS » » » » » » » » » »

No.	Color	Function		
		HA handle	HB handle	K5 handle
1	Red	Vcc	Vcc	Vcc
2	Black	GND	GND	GND
3	Blue	X-out1	X-out1	X-out1
4	Brown	X-out2	X-out2	X-out2
5	Yellow	Y-out1	Y-out1	Y-out1
6	Pink	Y-out2	Y-out2	Y-out2
7	Purple		Rocker switch common	Rocker switch common
8	Grey		Left rocker switch	Left rocker switch
9	Light blue		Right rocker switch	Right rocker switch
10	Orange		Top button	Deadman switch
11	Orange		Top button	Deadman switch

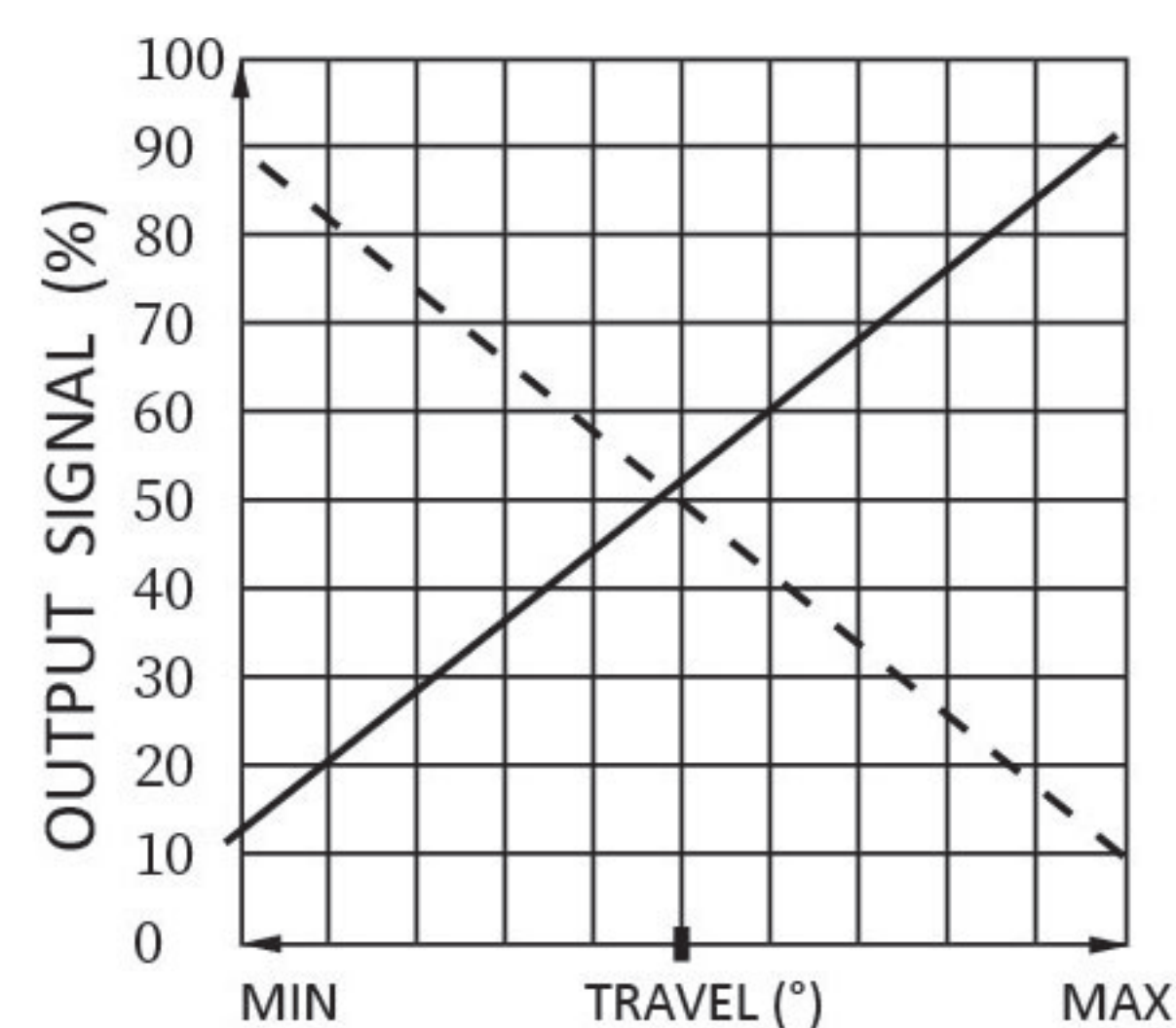


Cabel wiring

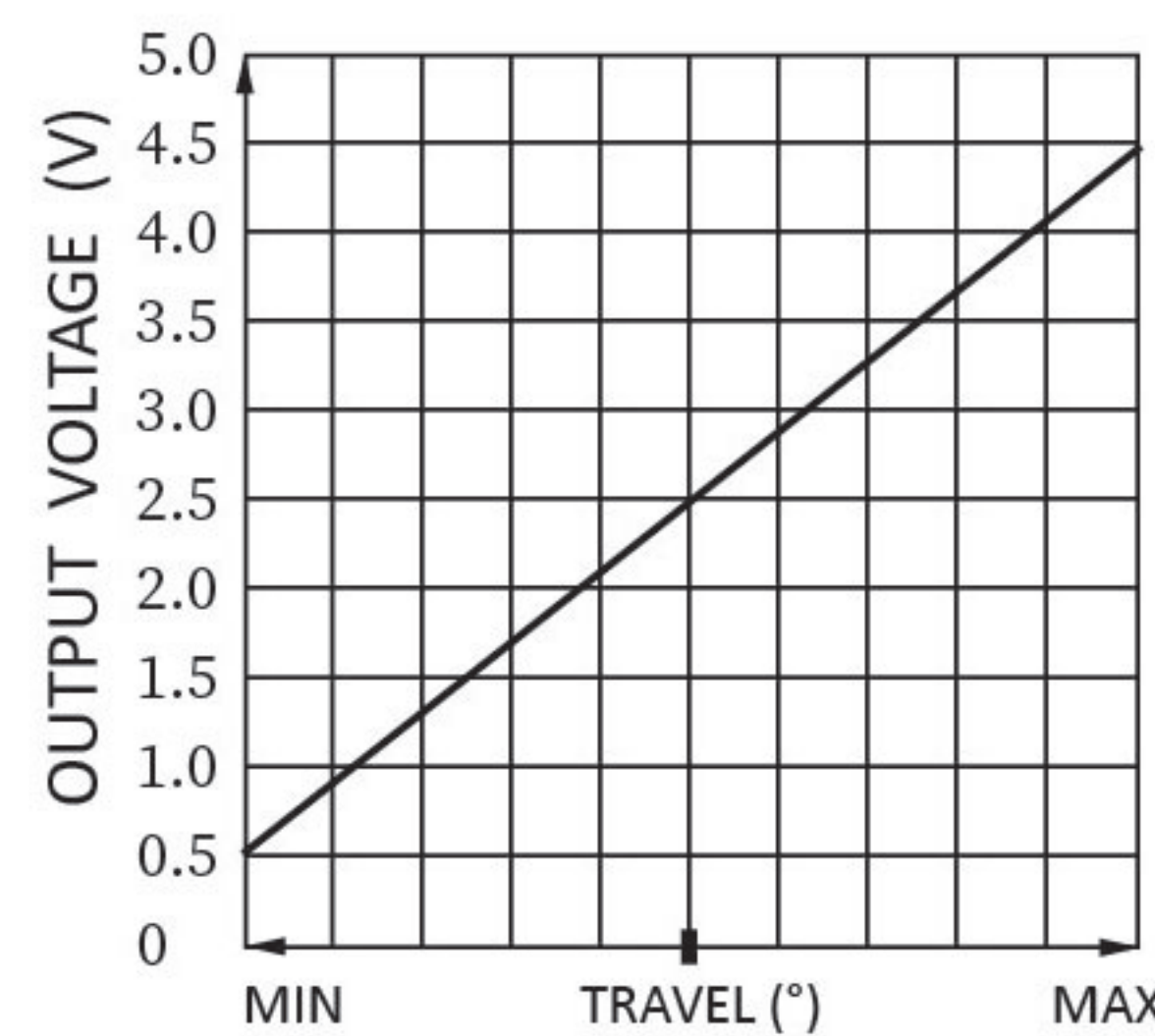
## OUTPUT SIGNAL CURVE » » » » » » » » » »



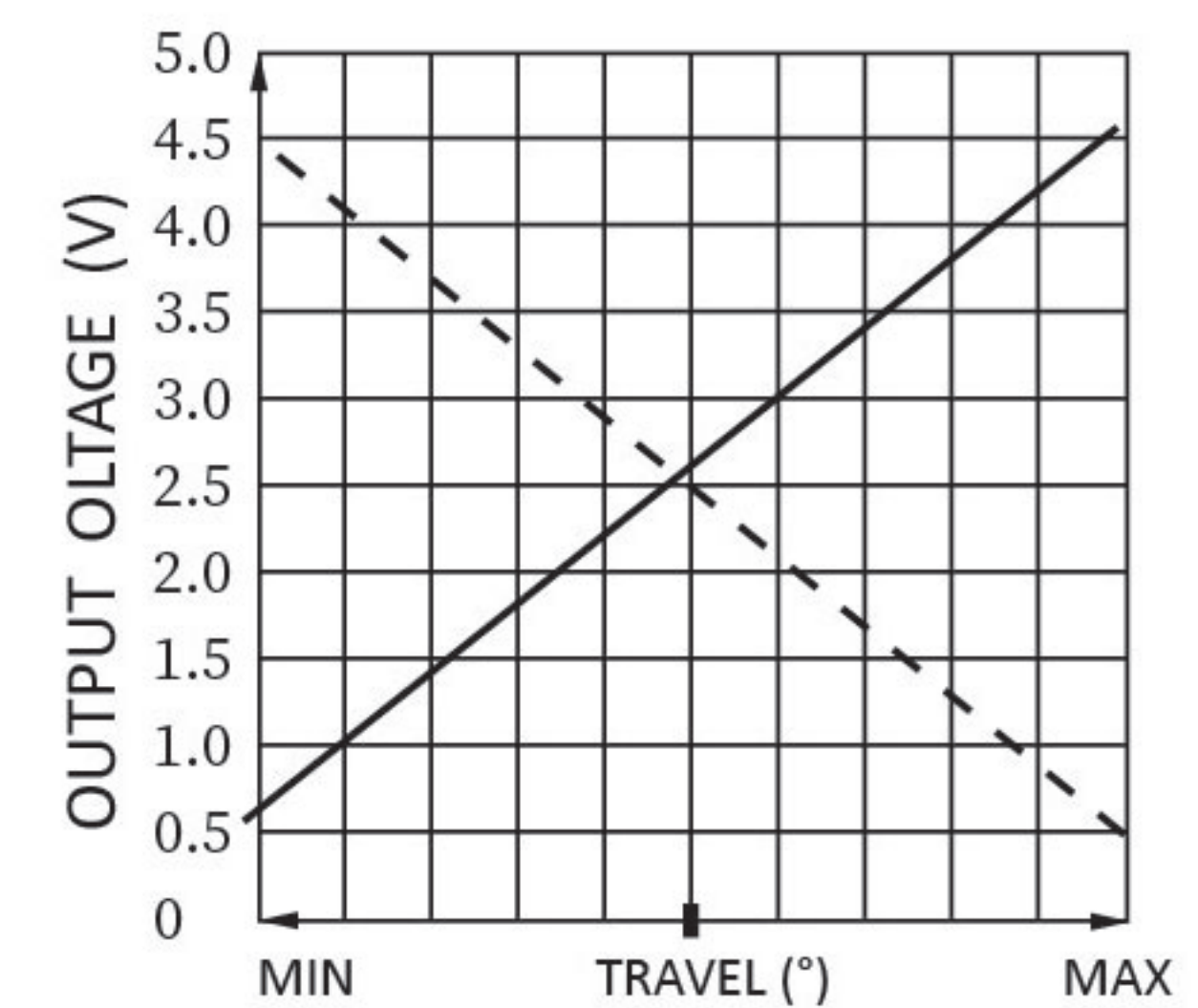
H11



H21



W11



W21