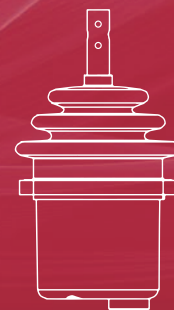


C8 series

Multi-axis joystick



PRODUCT FEATURES

- Single axis or multi-axis operation, spring return
- Robust design, applicable for severe environment
- Non-contacting Hall effect technology, high reliability, long lifetime
- Supply voltage 9-32Vdc
- Various types of handles option

MARKET FOCUS

- Electrohydraulic control system
- Industrial automation



TECHNICAL SPECIFICATIONS

① Mechanical data

- Travel angle: $\pm 18^\circ$
- Operating force*: 8-16N
- Mechanical lifetime: 5 million cycles
- Product weight: Appr. 600g
- * The measuring point is 90mm from the pivot center

② Electrical data

- Supply Voltage (Vs): $5.0 \pm 0.5\text{Vdc}$ or 9~32Vdc
- Power current consumption: 8.5mA
- Center Voltage: $2.5\text{V} \pm 2\%V_s$
- Maximum output linearity tolerance: $\pm 3\%$
- Maximum overload voltage: 20Vdc
- Maximum reverse voltage: -10Vdc
- Load resistance: $>10\text{K}\Omega$

③ Environmental data

- Operating temperature: $-40^\circ\text{C} \sim +85^\circ\text{C}$
- Storage temperature: $-40^\circ\text{C} \sim +85^\circ\text{C}$
- IP class: IP65 (above the panel)

ORDERING CODES

C8 - ① - ② - ③ - ④

① Operating mode

1AX	Single axis operation, aligned X axis direction, spring return
1AY	Single axis operation, aligned Y axis direction, spring return
2AP	Dual axis crossing operation, spring return
2AS	Dual axis operation in arbitrary direction, spring return, rigid guidance

② Output signal

H11	Supply voltage 5Vdc, 10%~50%~90%Vs ratiometer output
H13	Supply voltage 5Vdc, 20%~50%~80%Vs ratiometer output
H14	Supply voltage 5Vdc, 25%~50%~75%Vs ratiometer output
H21	Supply voltage 5Vdc, 10%~50%~90%Vs and 90%~50%~10%Vs redundant ratiometer output
H23	Supply voltage 5Vdc, 20%~50%~80%Vs and 80%~50%~20%Vs redundant ratiometer output
H24	Supply voltage 5Vdc, 25%~50%~75%Vs and 75%~50%~25%Vs redundant ratiometer output
W11	Supply voltage 9~32Vdc, 0.5~2.5~4.5V output
W13	Supply voltage 9~32Vdc, 1~2.5~4V output
W14	Supply voltage 9~32Vdc, 1.25~2.5~3.75V output
W21	Supply voltage 9~32Vdc, 0.5~2.5~4.5V and 4.5~2.5~0.5V redundant output
W23	Supply voltage 9~32Vdc, 1~2.5~4V and 4~2.5~1V redundant output
W24	Supply voltage 9~32Vdc, 1.25~2.5~3.75V and 3.75~2.5~1.25V redundant output

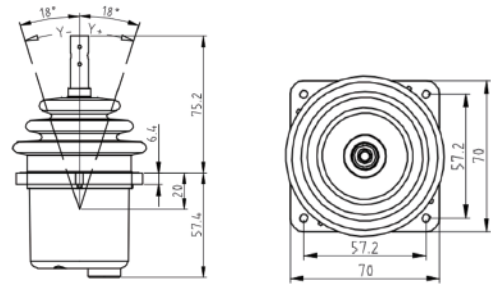
③ Handle options

HA	HA handle, without top button
HB	HB handle, without top button
HBS	HBS handle, with top button
HBR	HBR handle, with top rocker switch
K5DR	K5 handle, with deadman switch, with top rocker switch
K5NR	K5 handle, without deadman switch, with top rocker switch
K5DN	K5 handle, with deadman switch, without top rocker switch
K5NN	K5 handle, without deadman switch, without top rocker switch
K6DR	K6 handle, with deadman switch, with top rocker switch

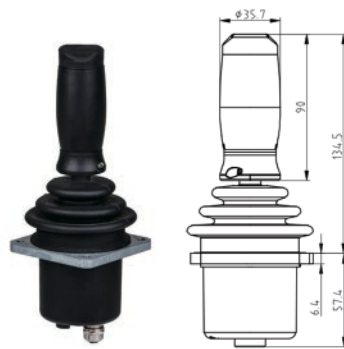
④ Wiring

L	Cable wiring (length 400mm)
---	-----------------------------

SHAPE DIMENSIONS



HA handle, without top button



HB handle, without top button



HBS handle, with top button



HBR handle, with top rocker switch



K5 handle, with deadman switch & rocker switch

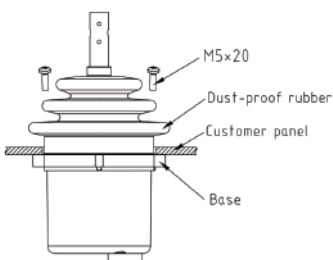


K6 handle, with deadman switch & top rocker switch

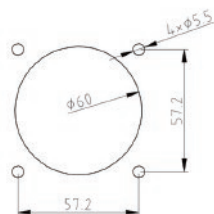
INSTALL

① MECHANICAL INSTALLATIONS

Note: The thickness of the panel is $\leq 4\text{mm}$

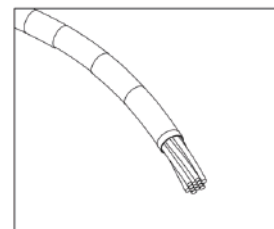


Mounting diagram



Panel cut-out dimensions

② ELECTRICAL CONNECTIONS



Cable wiring