

2023-2024



Changzhou Green Lighting Co., Ltd.

ADD: No.269, Fumin road, Economic
Development Zone, Changzhou City

TEL: +86-519-88406000 88411399

FAX: +86-519-88406100

www.china-greenlighting.com

GREEN LIGHTING





守约+专注+突破

Integrity Absorption Breakthrough



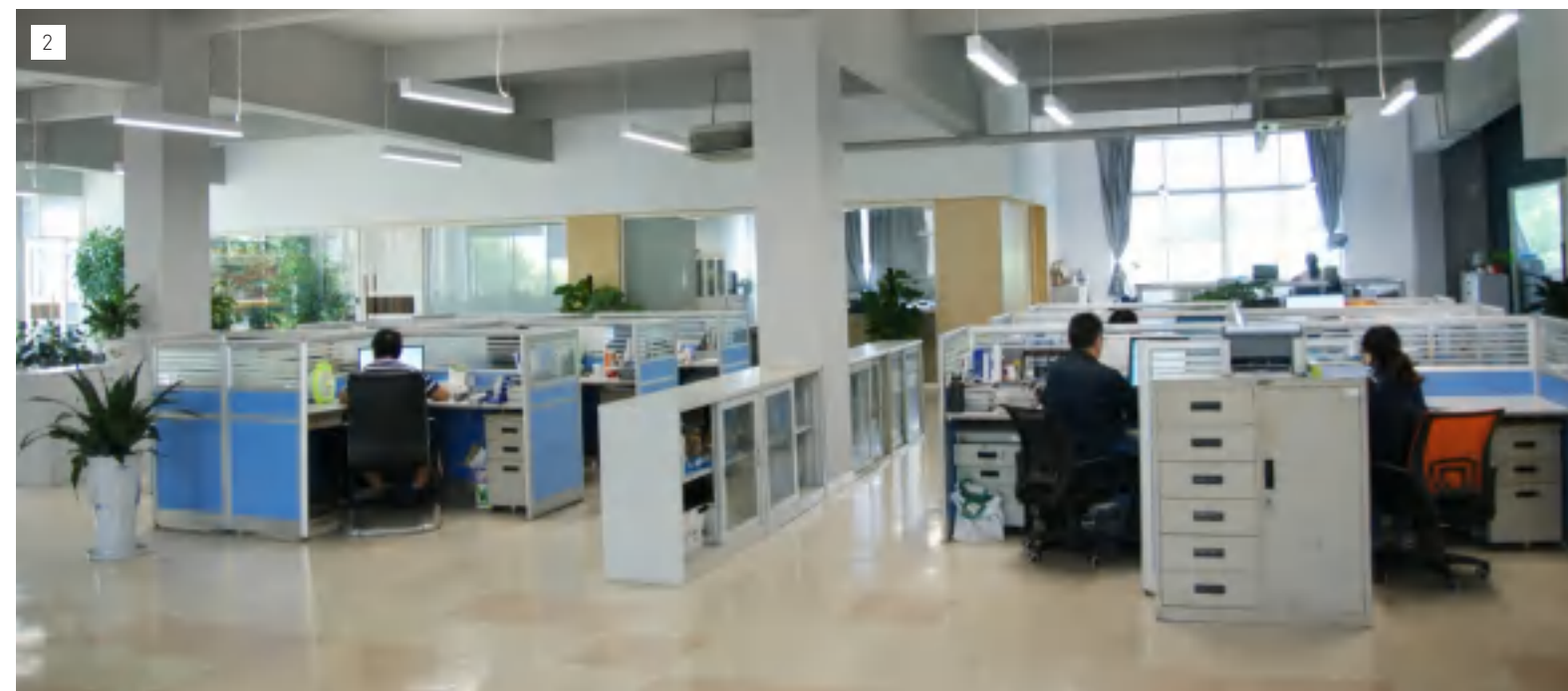
Products range cover Road, Project Flood Lighting, Tunnel, Garden, Lawn, industrial lighting and other city urban lighting.
Products have been exporting to Europe, America and other worldwide areas, meanwhile, we also have established long term and steady cooperation relationship with global well-known lighting brands.



About Us:

Green Lighting Founded in April 2002, located in beautiful city Changzhou, No 269 Fumin Road, Changzhou, Jiangsu, China. Factory Area 14000 sqm, total building area 15600 sqm. Green Lighting is Nation Hi-Tech enterprise that has been dedicating on outdoor Luminaire R&D, manufacturing equip with state-of-art facilities, Green's original designed products won lots of patents, awards and highly praised by worldwide business partners. Products range cover Road, Project Flood Lighting, Tunnel, Garden, Lawn, industrial lighting and other city urban lighting. Products have been exporting to Europe, America and other worldwide areas, meanwhile, we also have established long term and steady cooperation relationship with global well-known lighting brands.

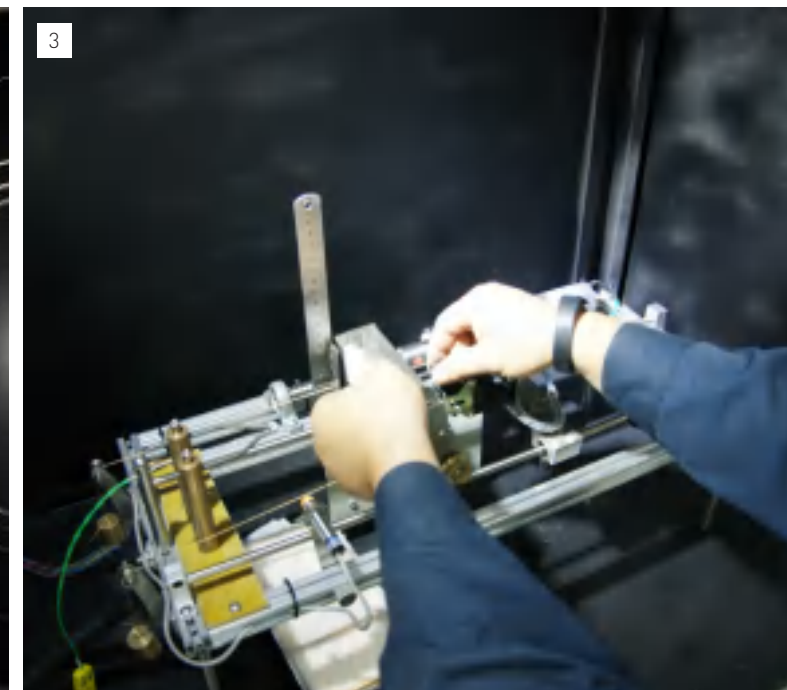
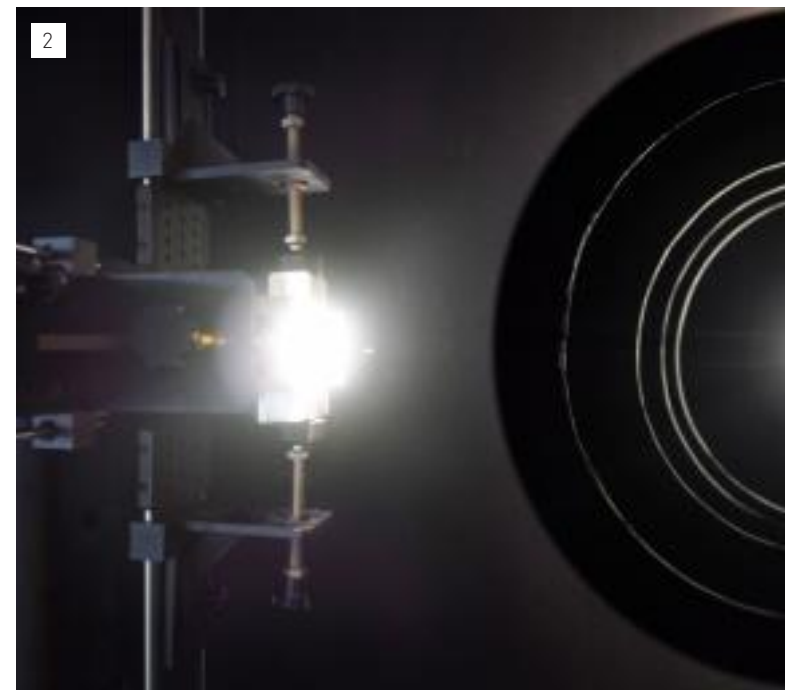
- 1 Factory view
- 2 Office
- 3 Product assembly line
- 4 LED SMT line



Quality Control:

Equipped with horizontal photometers, IP testers, vibration testers, and other related equipment, full assembly lines with strict quality monitoring and control follow ISO 9001 quality system, whole manufacturing process with ERP system to assure every product entering the market are strictly tested and qualified. Be meticulous in quality that can ensure every product reassures users.

- 1 View of Testing Center
- 2 Light distribution testing
- 3 Glow wire testing
- 4 Light Distribution testing
- 5 High-low temperature testing



Intellectual Property:

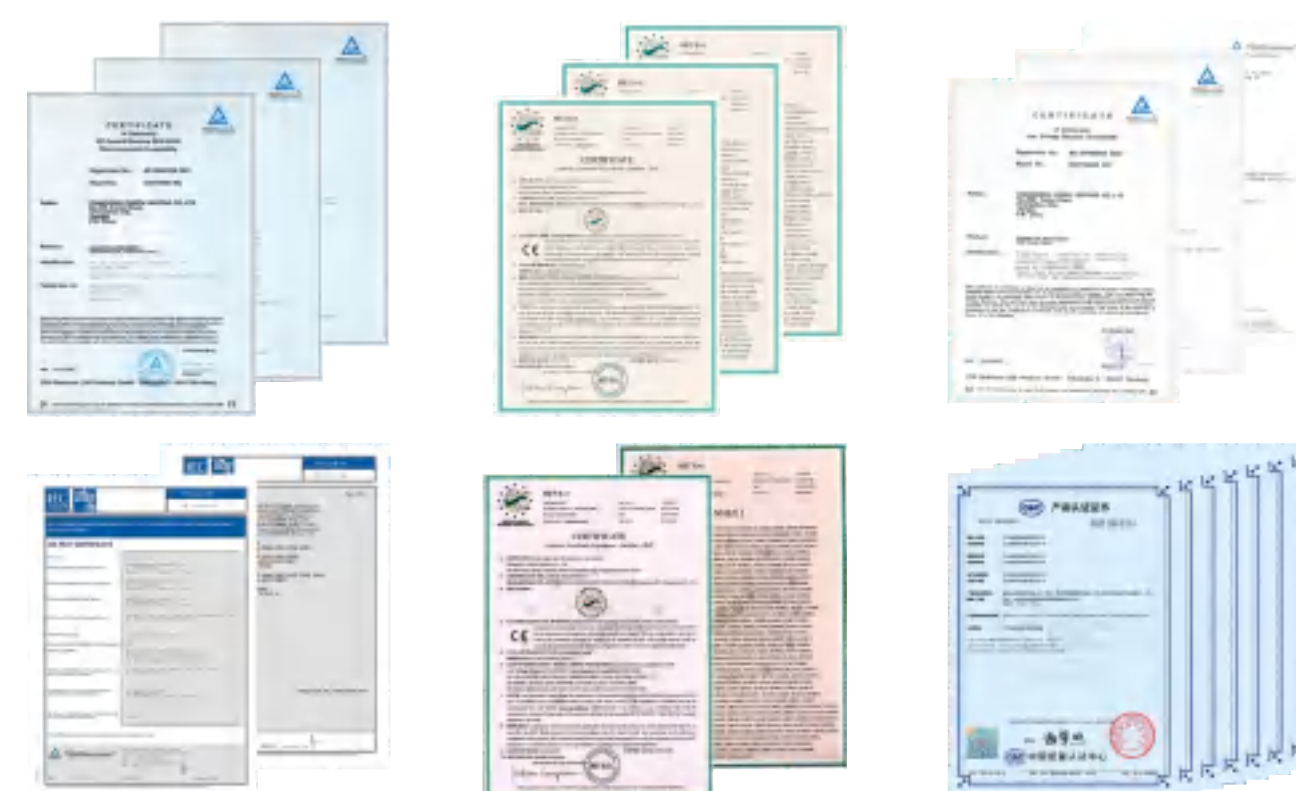
Green Lighting attaches importance to technological innovation and intellectual property protection, all products are designed by ourselves. With these advantages, we launch multiple new products are deeply loved by customers every year.

We provide patent protection for our own new designed products at the first time, and we will use legal measures to protect our rights and interests for factories who copy our products.

Related Certificate:

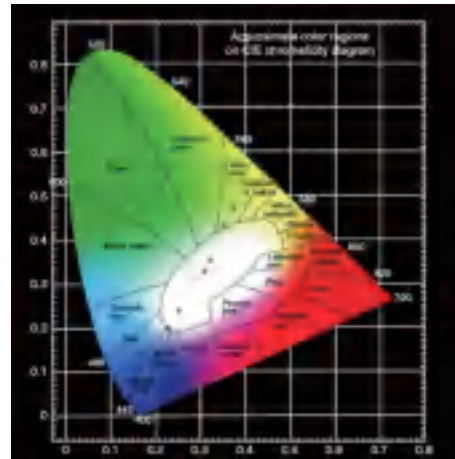
The continuous and efficient development of the company requires us to have advanced management processes and excellent technical level, so we have the most reliable partners in the world.

We have top-rank manufacturing processes with zero fault complaints and zero delivery delays, we have full confidence in our production processes as they are constantly monitored and evaluated by third-party organizations.



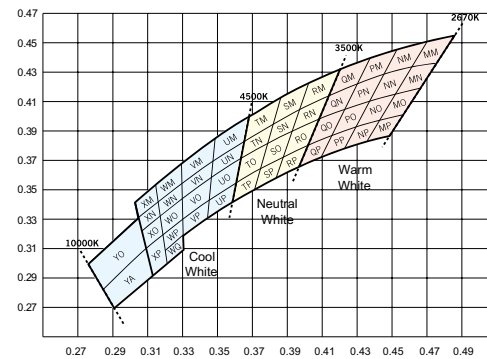
Color icon CIE 1931

CIE 1931 chromaticity diagram CIE chromaticity diagram using the nominal value, the X indicates that the red component, Y- green component. Point E on behalf of white light, its coordinates [0.33,0.33], spectral colors are the colors of the edge around the color space, boundary represents the saturation maximum the spectrum, digital representation of color wavelengths of the spectrum on its borders, its shape with all their senses-tone. All the monochromatic light is located on the tongue-shaped curve, the curve is single track, and digital monochrome annotations next to the curve (or spectrum) wavelengths of light values; all colors in nature are inside the closed curve; in the RGB system using physical on the tongue-shaped curve three primary colors chromaticity diagram.



White-light LED BIN

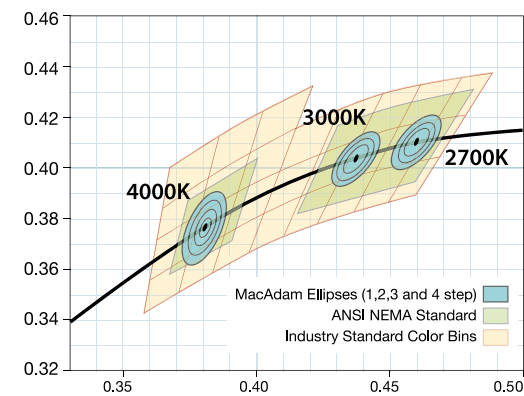
BIN color temperature chart, which determines the production process to ensure that product has good color consistency. After carefully chosen by Green lighting, and strictly control the selection and make use of BIN, to ensure that the product has good optical qualities.



MacAdam ellipse

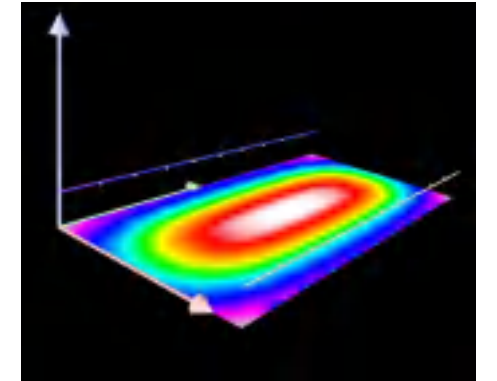
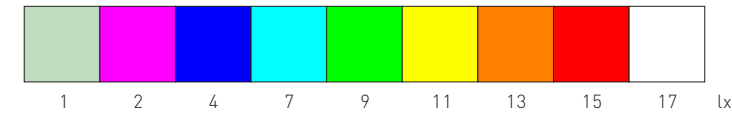
MacAdam ellipses are evaluation parameters for color difference from the center point of the ellipse, the long axis, minor axis to determine the size.

- 1 step: Difficult to perceive color differences
- 2 step: Difficulties perceived color difference
- 3 step: Carefully can perceive color differences
- 4 step: Can perceive color differences
- 5-7 step: Applied to the color tolerance requirements too high places



DIALUX optical application software

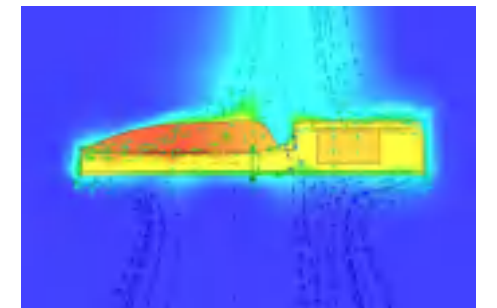
The design of Green lighting product use DIALUX software, the advantage is put into full paly, as far as possible so that each product is photometric applications as a starting point, and help you comply with relevant national and international regulations.



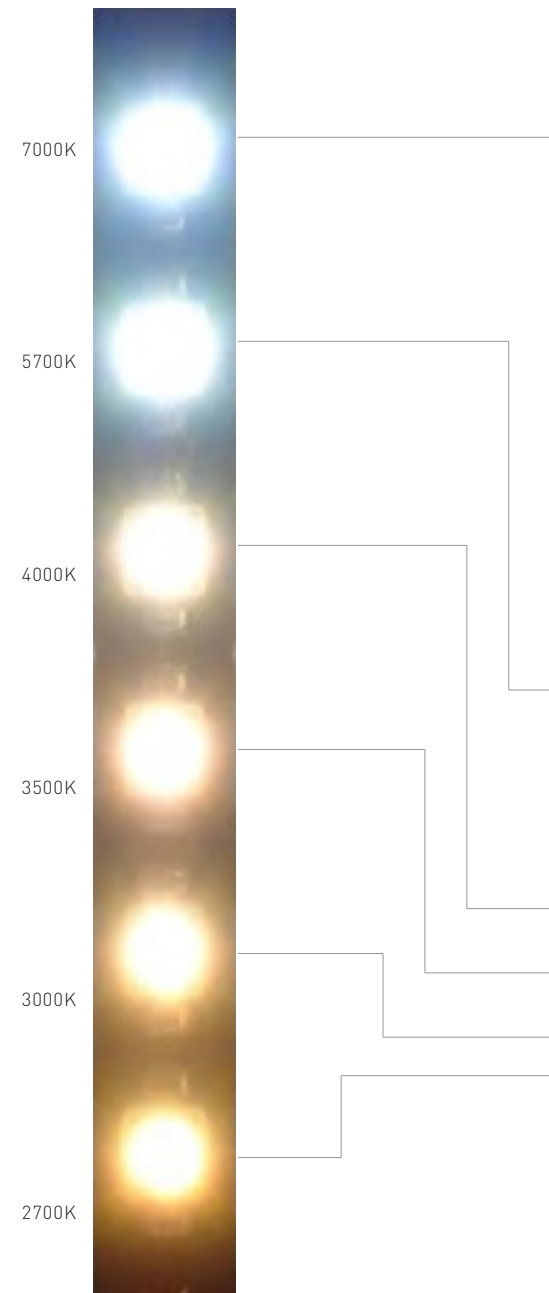
4.62	4.65	7.27	9.66	12	14	16	17	17	17	16	14	12	9.68	7.19	4.73	4.61	
4.32	5.05	7.33	9.70	12	14	16	17	17	17	16	14	12	9.70	7.29	5.05	4.36	
4.47	4.78	7.33	9.78	12	14	16	17	17	17	16	14	12	9.73	7.39	4.73	4.44	
4.73	4.72	7.22	9.74	12	15	16	17	17	17	16	15	12	9.73	7.24	4.71	4.73	
4.44	4.73	7.39	9.73	12	14	16	17	17	17	16	14	12	9.78	7.33	4.78	4.47	
4.36	5.05	7.29	9.70	12	14	16	17	17	17	16	14	12	9.70	7.33	5.05	4.32	
4.61	4.73	7.19	9.68	12	14	16	17	17	17	16	14	12	9.66	7.27	4.65	4.62	
AVG illumination(lx)		MIN illumination(lx)		MAX illumination(lx)		MIN illumination(lx) /AVG illumination		MIN illumination(lx) /MAX illumination									
11		4.32		17		0.4		0.25									

Thermal simulation and design

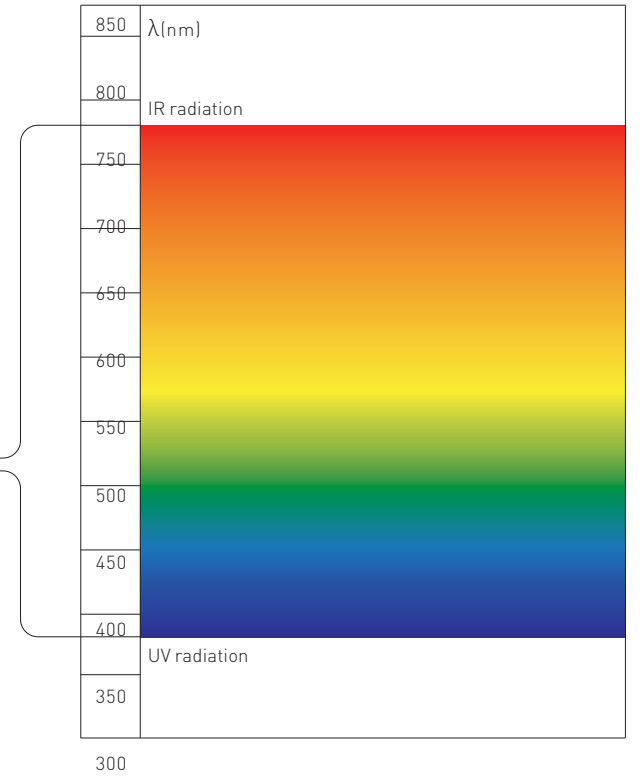
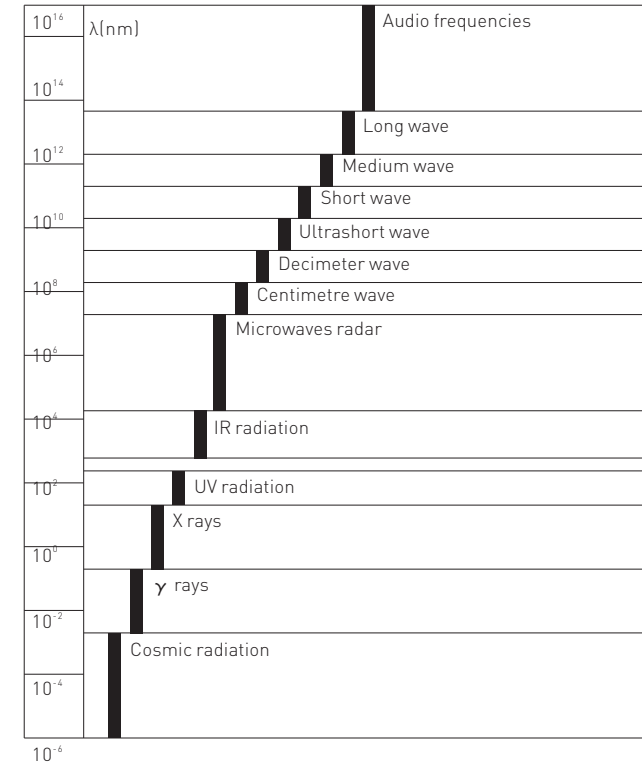
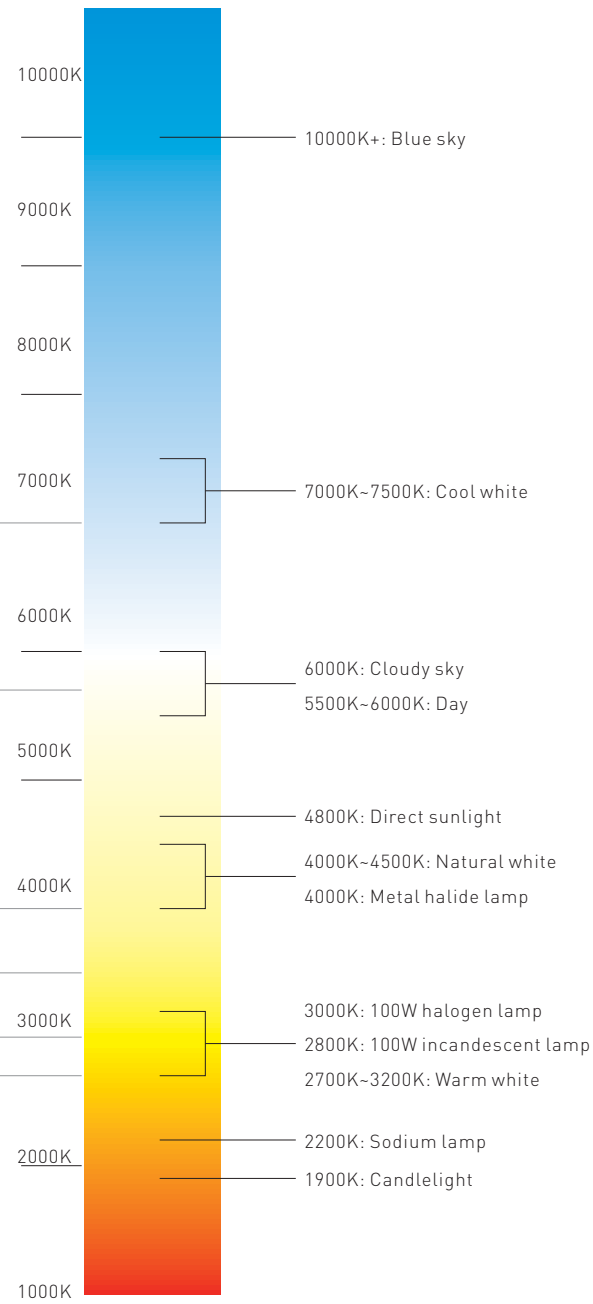
Thermal simulation for the development of LED lighting products, providing great convenience to effectively prevent insufficient heat dissipation design bring great harm to the farmers life.



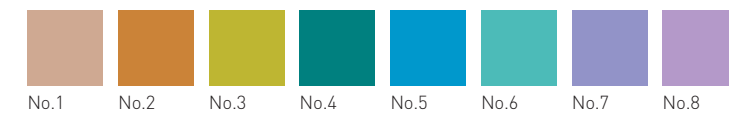
Basic LED parameter example



Kelvin color temperature range



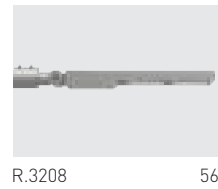
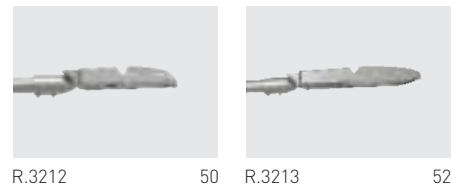
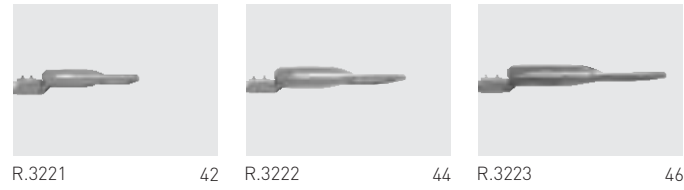
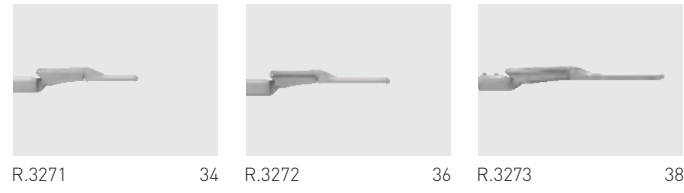
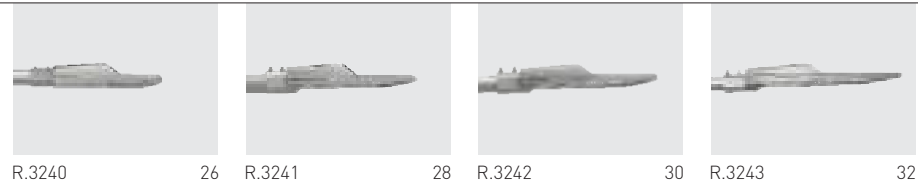
General CRI (No.1-8)



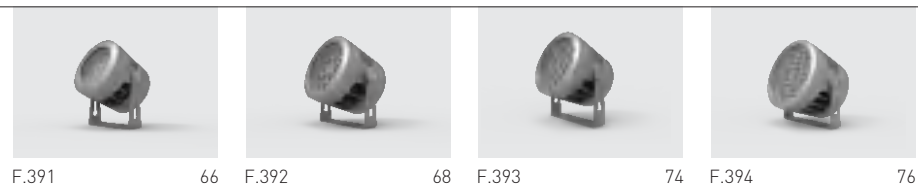
Special CRI (No.9-15)



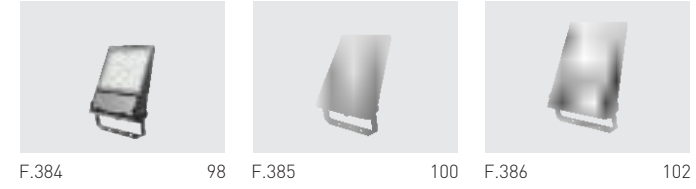
LED Road Light



LED Flood Light



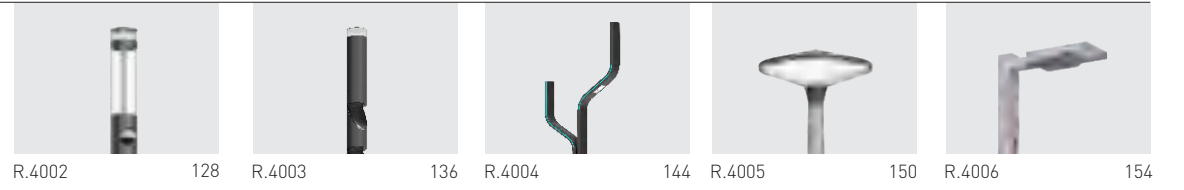
LED Flood Light



LED Tunnel Light



LED Garden Light



LED
Lawn Light



LA.5010

174



LA.5011

178



LA.5401

182



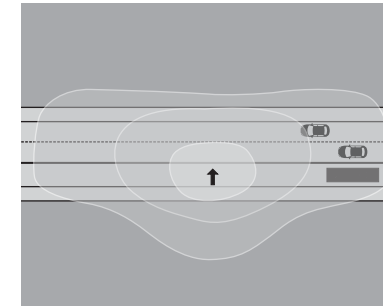
重庆中(南)路
Chongqing Rd. (M) (S)
延安中路 复兴中路
Yan'an Rd. (M) Fuxing Rd. (M)
← 瑞金一(二)路 →

↑
↑
↑

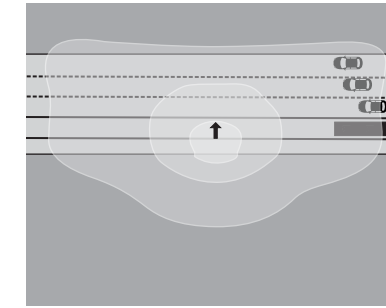
CHIRON LED ROAD LIGHT

The Comparison Table for Motor Vehicle Traffic Roadway Lighting Standard Value EN and "Standard"

Standard Level	Brightness of Road Surface			Glare Limit Threshold Increment TI[%] Maximun Initial Value	Surround Ratio Minimum Value
	Average Brightness L _{av} (cd/m ²) Maintenance Value	Overall Uniformity U0 Minimum Value	Longitudinal Uniformity U1 Minimum Value		
High Value (Express Way ,Major Road)	2.0	0.4	0.7	10	0.5
ME1	2.0	0.4	0.7	10	0.5
Low Value(Express Way ,Major Road)	1.5	0.4	0.7	10	0.5
ME2	1.5	0.4	0.7	10	0.5
High Value(Collector Road)	1.0	0.4	0.5	15	0.5
ME3c	1.0	0.4	0.5	15	0.5
Low Value(Collector Road)	0.75	0.4	0.5	15	0.5
ME4b	0.75	0.4	0.5	15	0.5
High Value(Local Road)	0.75	0.4	/	15	/
ME4b	0.75	0.4	0.5	15	0.5
Low Value(Local Road)	0.5	0.4	/	15	/
ME5	0.5	0.35	0.4	15	0.5



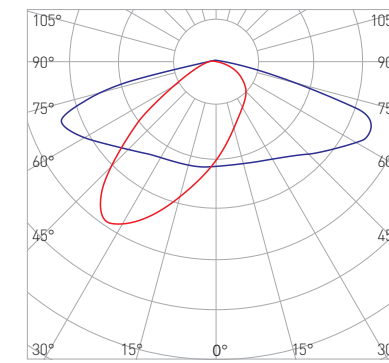
TYPE 2
2-3 Lanes



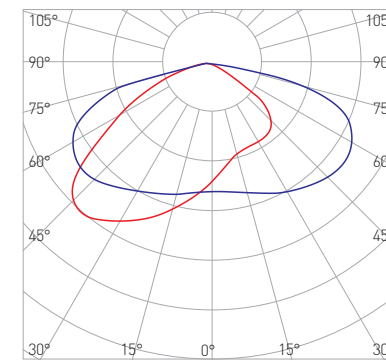
TYPE 3
3-4 Lanes



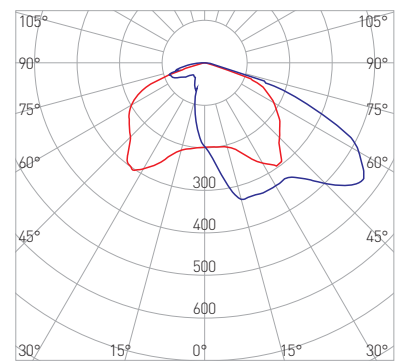
TYPE 4
Park ,Square ,Crossroad



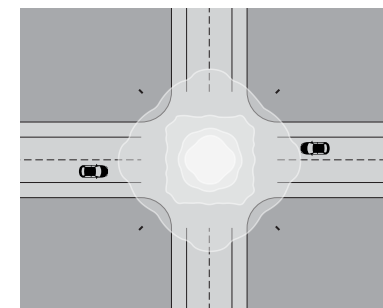
cd/klm — C0-C180 — C90-C270 [Type2]



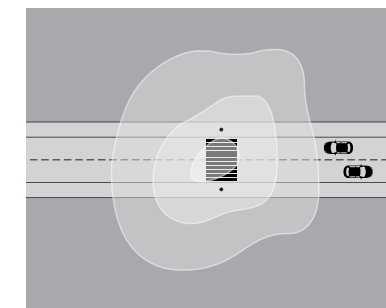
cd/klm — C0-C180 — C90-C270 [Type3]



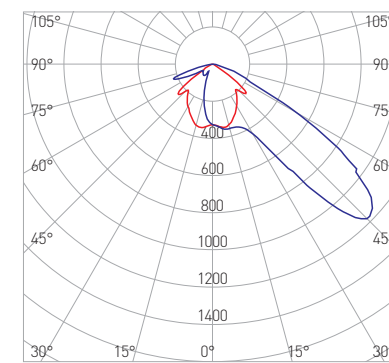
cd/klm — C0-C180 — C90-C270 [Type4]



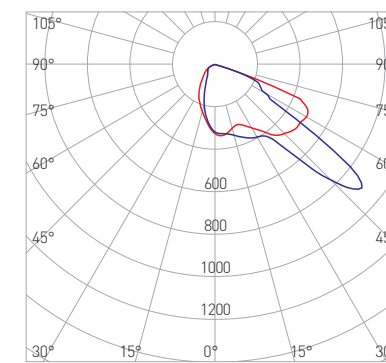
PX
Zebra crossing sidewalk



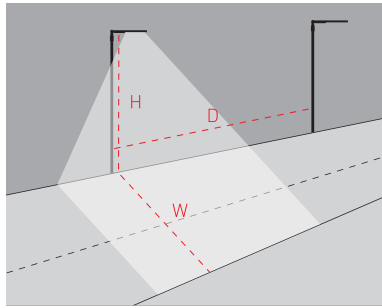
FN
Intersection



cd/klm — C0-C180 — C90-C270 [FN]



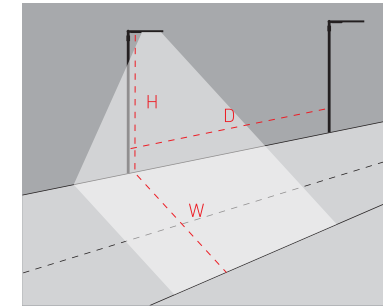
cd/klm — C0-C180 — C90-C270 [PX]



H=Light pole vertical height
W=Light area Road Width
D=Distance between two pole

TYPE 2 lumileds 3030 (16 in 1)

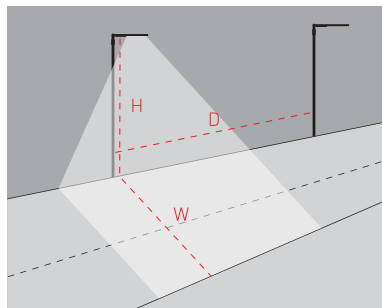
Power (w)	Dip angle	H (m)	W (m)	D (m)	Lav (cd/m ²)	U0	U1	TI	SR	Eav (lx)	Lpd (W/m ²)	Light installation method
20	10°~15°	6	7	20	0.57	0.45	0.84	13	0.56	8	0.17	Unilateral
30	10°~15°	7	7	25	0.52	0.43	0.72	6	0.62	9	0.2	Unilateral
50	10°~15°	8	7	35	0.55	0.43	0.45	7	0.62	10	0.223	Unilateral
75	10°~15°	9	14	40	0.94	0.4	0.54	10	0.54	17	0.15	Bilateral Symmetry
100	10°~15°	9	14	40	1.25	0.4	0.59	9	0.56	22	0.2	Bilateral Symmetry
125	10°~15°	9	14	40	1.59	0.4	0.59	10	0.56	28	0.25	Bilateral Symmetry
150	10°~15°	11	22	45	1.11	0.41	0.61	9	0.63	20	0.3	Bilateral Symmetry
180	10°~15°	11	22	45	1.27	0.43	0.6	9	0.65	23	0.189	Bilateral Symmetry
200	10°~15°	11	22	45	1.45	0.43	0.6	9	0.65	26	0.216	Bilateral Symmetry
225	10°~15°	11	22	45	1.66	0.42	0.61	10	0.64	30	0.3	Bilateral Symmetry
250	10°~15°	11	22	40	2.18	0.44	0.7	10	0.59	39	0.312	Bilateral Symmetry
275	10°~15°	11	22	40	2.39	0.45	0.7	10	0.59	43	0.343	Bilateral Symmetry
300	10°~15°	12	30	40	1.97	0.48	0.76	9	0.63	35	0.268	Bilateral Symmetry
325	10°~15°	12	30	40	2.13	0.48	0.76	10	0.63	38	0.29	Bilateral Symmetry



H=Light pole vertical height
W=Light area Road Width
D=Distance between two pole

TYPE 2 lumileds 3030 (12 in 1)

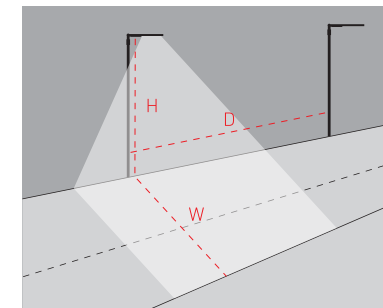
Power (w)	Dip angle	H (m)	W (m)	D (m)	Lav (cd/m ²)	U0	U1	TI	SR	Eav (lx)	Lpd (W/m ²)	Light installation method
20	0°~5°	6	7	20	0.53	0.42	0.75	10	0.65	8	0.17	Unilateral
30	0°~5°	7	7	25	0.50	0.41	0.62	8	0.46	9	0.2	Unilateral
50	0°~5°	8	7	30	0.67	0.41	0.62	8	0.53	11	0.277	Unilateral
75	0°~5°	9	14	40	0.85	0.44	0.5	7	0.52	16	0.115	Bilateral Symmetry
100	0°~5°	9	14	40	1.12	0.47	0.5	8	0.55	20	0.186	Bilateral Symmetry
125	0°~5°	9	14	40	1.43	0.47	0.5	8	0.55	26	0.233	Bilateral Symmetry
150	0°~5°	10	22	40	1.19	0.45	0.54	10	0.58	21	0.175	Bilateral Symmetry
180	0°~5°	10	22	40	1.47	0.44	0.53	10	0.51	26	0.21	Bilateral Symmetry
200	0°~5°	10	22	40	1.66	0.46	0.59	10	0.53	30	0.24	Bilateral Symmetry
225	0°~5°	11	22	40	1.79	0.55	0.71	8	0.61	32	0.274	Bilateral Symmetry
250	0°~5°	11	22	40	1.98	0.55	0.71	8	0.61	36	0.304	Bilateral Symmetry
275	0°~5°	11	22	40	2.18	0.55	0.71	8	0.61	40	0.335	Bilateral Symmetry
300	0°~5°	12	30	40	1.77	0.43	0.71	9	0.65	32	0.263	Bilateral Symmetry
325	0°~5°	12	30	40	1.91	0.43	0.71	9	0.65	35	0.285	Bilateral Symmetry



H=Light pole vertical height
W=Light area Road Width
D=Distance between two pole

TYPE 3 lumileds 3030 (16 in 1)

Power (w)	Dip angle	H (m)	W (m)	D (m)	Lav (cd/m ²)	U0	U1	TI	SR	Eav (lx)	Lpd (W/m ²)	Light installation method
20	0°~5°	6	7	20	0.5	0.49	0.86	12	0.6	7	0.167	Unilateral
30	0°~5°	6	7	25	0.5	0.46	0.66	10	0.6	8	0.21	Unilateral
50	0°~5°	6	7	33	0.57	0.41	0.53	11	0.66	8	0.266	Unilateral
75	0°~5°	9	14	47	0.78	0.41	0.5	10	0.6	12	0.133	Bilateral Symmetry
100	0°~5°	9	14	45	1.05	0.46	0.54	10	0.62	16	0.178	Bilateral Symmetry
125	0°~5°	9	14	45	1.31	0.49	0.58	10	0.65	21	0.222	Bilateral Symmetry
150	0°~5°	9	14	45	1.53	0.51	0.58	10	0.67	25	0.256	Bilateral Symmetry
180	0°~5°	10	22	50	1.17	0.43	0.56	10	0.69	19	0.17	Bilateral Symmetry
200	0°~5°	10	22	50	1.34	0.43	0.56	10	0.69	22	0.195	Bilateral Symmetry
225	0°~5°	11	22	50	1.5	0.46	0.61	10	0.7	25	0.219	Bilateral Symmetry
250	0°~5°	11	22	45	1.85	0.5	0.72	9	0.7	30	0.271	Bilateral Symmetry
275	0°~5°	11	22	45	2.02	0.5	0.72	10	0.7	34	0.298	Bilateral Symmetry
300	0°~5°	12	30	45	1.68	0.53	0.76	10	0.74	28	0.233	Bilateral Symmetry
325	0°~5°	12	30	45	2	0.51	0.76	10	0.72	33	0.258	Bilateral Symmetry



H=Light pole vertical height
W=Light area Road Width
D=Distance between two pole

TYPE 3 lumileds 3030 (12 in 1)

Power (w)	Dip angle	H (m)	W (m)	D (m)	Lav (cd/m ²)	U0	U1	TI	SR	Eav (lx)	Lpd (W/m ²)	Light installation method
20	0°~5°	6	7	20	0.5	0.45	0.8	12	0.7	8	0.17	Unilateral
30	0°~5°	6	7	25	0.5	0.41	0.53	10	0.44	9	0.2	Unilateral
50	0°~5°	7	7	30	0.59	0.4	0.47	9	0.5	10	0.277	Unilateral
75	0°~5°	9	14	40	0.81	0.43	0.47	8	0.43	15	0.15	Bilateral Symmetry
100	0°~5°	9	14	40	1.01	0.52	0.51	8	0.5	19	0.186	Bilateral Symmetry
125	0°~5°	9	14	40	1.29	0.52	0.51	8	0.5	24	0.233	Bilateral Symmetry
150	0°~5°	9	14	40	1.52	0.52	0.51	9	0.5	28	0.279	Bilateral Symmetry
180	0°~5°	10	22	45	1.17	0.43	0.51	8	0.52	21	0.182	Bilateral Symmetry
200	0°~5°	10	22	45	1.33	0.43	0.51	8	0.52	24	0.207	Bilateral Symmetry
225	0°~5°	10	22	45	1.51	0.43	0.51	9	0.52	28	0.233	Bilateral Symmetry
250	0°~5°	13	22	40	1.71	0.56	0.7	7	0.6	32	0.292	Bilateral Symmetry
275	0°~5°	13	22	40	1.88	0.56	0.7	7	0.6	35	0.321	Bilateral Symmetry
300	0°~5°	13	30	40	1.77	0.44	0.7	7	0.5	33	0.272	Bilateral Symmetry
325	0°~5°	13	30	40	1.92	0.44	0.72	7	0.5	36	0.295	Bilateral Symmetry

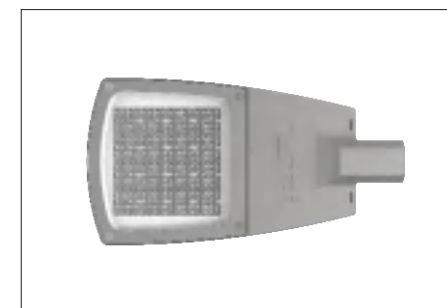
Below Installation Chart, Pole height and Installation Method can be adjust according to on-site requested.



LED Road Light

CHIRON R.324 SERIES

CHIRON R.324 series road lamp has R.3240,R.3241,R.3242,R3243 four different sizes. The shape is simple, flexible and smooth, with ideal self-cleaning function such as no water, no snow accumulation ect; Combined with high performance LED and driver technology, which can provide perfect road lighting solutions for urban road planning and design. Integrated aluminum die-casting technology is reliable and durable. With high speed wind resistance design, making it easy to meet various harsh environment. Single lights and a variety of system configuration can help you easily and safely to realize road lighting green and environment-friendly intelligent upgrade, which is an excellent new product for outdoor road lighting.

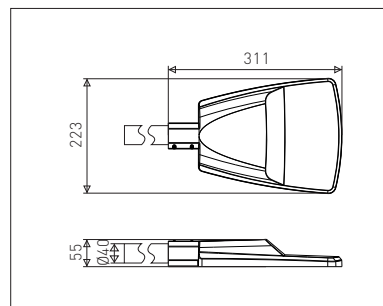
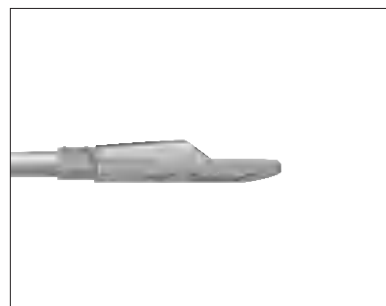


Product Description

- Watts: 20W-320W
- Standard color temperature(C.C.T.): 2200K、 2700K、 3000K、 4000K、 5000K
- Light distribution: Type 2、 Type 3、 Type 4、 FN、 PX
- Integrated die-casting of lamp body, tempered glass with smooth surface, providing comprehensive protection for optical and electronic components not affected by the environment;
- IP66 waterproof and dustproof structure sealing design
- IK08 anti-collision performance
- Vibration level: 3G
- Positive surge protection performance and over voltage, over temperature, over power,short circuit protection
- Unaided operation without tools

Components Choosable

- Vertical install transition sleeve
- Power off protector
- Optical controller
- Intelligent control interface and intelligent control accessories
- Falling prevention safety rope
- Single lamp single control
- Surge Protective Device



AC90V~305V 50/60Hz 3030(16 in 1) IP66 (Light distribution : Type2/Type3/Type4/FN/PX)

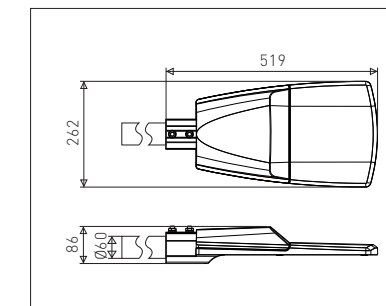
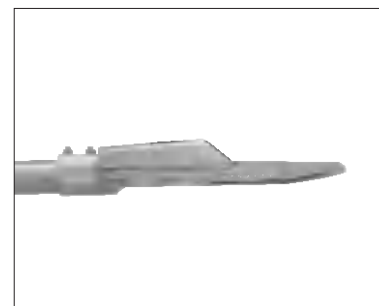
Model	Power (W)	CRI	CCT (K)	LED QTY(pcs) -120lm/w	LED QTY(pcs) -130lm/w	LED QTY(pcs) -140lm/w	LED QTY(pcs) -150lm/w	Weight (kg)
R.3240A.10.0020.0XX.XX.02	20	70	3000	24	48	/	/	1.8
		70	4000/5000	24	32	/	/	1.8
R.3240A.10.0030.0XX.XX.02	30	70	3000	40	/	/	/	1.8
		70	4000/5000	32	48	/	/	1.8

Remark : ".0XX." for light distribution Type2/Type3/Type4/FN/PX, ".XX." for CCT 2700K/3000K/4000K/5000K, example light distribution Type2、CCT 3000K, then full name is "R.3240A.10.0030.0T2.W3.02".

AC90V~305V 50/60Hz 5050(8 in 1) IP66 (Light distribution : Type2/Type3/Type4/FN/PX)

Model	Power (W)	CRI	CCT (K)	LED QTY(pcs) -120lm/w	LED QTY(pcs) -130lm/w	LED QTY(pcs) -140lm/w	LED QTY(pcs) -150lm/w	Weight (kg)
R.3240C.10.0020.0XX.XX.02	20	70	2700	8	12	24	/	1.8
		70	3000	/	8	14	/	1.8
		70	4000/5000	/	6	12	20	1.8
R.3240C.10.0030.0XX.XX.02	30	70	2700	8	16	/	/	1.8
		70	3000	/	12	20	/	1.8
		70	4000/5000	/	12	16	24	1.8

Remark : ".0XX." for light distribution Type2/Type3/Type4/FN/PX, ".XX." for CCT 2700K/3000K/4000K/5000K, example light distribution Type2、CCT 3000K, then full name is "R.3240C.10.0030.0T2.W3.02".



AC90V~305V 50/60Hz 3030(16 in 1) IP66 (Light distribution : Type2/Type3/Type4/FN/PX)

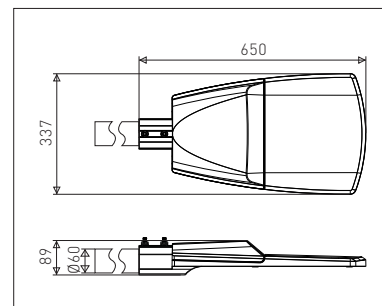
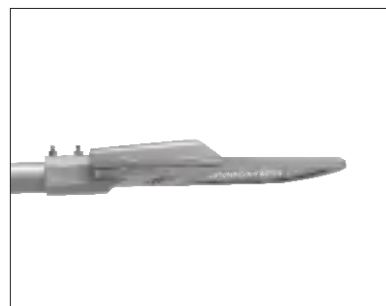
Model	Power (W)	CRI	CCT (K)	LED QTY(pcs) -120lm/w	LED QTY(pcs) -130lm/w	LED QTY(pcs) -140lm/w	LED QTY(pcs) -150lm/w	Weight (kg)
R.3241A.10.0050.0XX.XX.02	50	80	2700	132	/	/	/	3.9
		70	3000	48	96	/	/	3.9
		70	4000/5000	48	72	96	/	3.9
R.3241A.10.0075.0XX.XX.02	75	80	2700	144	/	/	/	3.9
		70	3000	72	144	/	/	3.9
		70	4000/5000	72	96	144	/	3.9
R.3241A.10.0100.0XX.XX.02	100	80	2700	/	/	/	/	4.0
		70	3000	108	/	/	/	4.0
		70	4000/5000	108	132	/	/	4.0

Remark : ".0XX." for light distribution Type2/Type3/Type4/FN/PX, ".XX." for CCT 2700K/3000K/4000K/5000K, example light distribution Type2、CCT 3000K, then full name is "R.3241A.10.0100.0T2.W3.02".

AC90V~305V 50/60Hz 5050(8 in 1) IP66 (Light distribution : Type2/Type3/Type4/FN/PX)

Model	Power (W)	CRI	CCT (K)	LED QTY(pcs) -120lm/w	LED QTY(pcs) -130lm/w	LED QTY(pcs) -140lm/w	LED QTY(pcs) -150lm/w	Weight (kg)
R.3241C.10.0050.0XX.XX.02	50	70	2700	/	28	56	/	3.9
		70	3000	/	/	36	72	3.9
		70	4000/5000	/	/	/	46	3.9
R.3241C.10.0075.0XX.XX.02	75	70	2700	/	36	66	/	3.9
		70	3000	/	/	46	86	3.9
		70	4000/5000	/	/	/	54	3.9
R.3241C.10.0100.0XX.XX.02	100	70	2700	32	50	86	/	4.0
		70	3000	/	40	60	96	4.0
		70	4000/5000	/	/	46	72	4.0

Remark : ".0XX." for light distribution Type2/Type3/Type4/FN/PX, ".XX." for CCT 2700K/3000K/4000K/5000K, example light distribution Type2、CCT 3000K, then full name is "R.3241C.10.0100.0T2.W3.02".



AC90V-305V 50/60Hz 3030(16 in 1) IP66 (Light distribution : Type2/Type3/Type4/FN/PX)

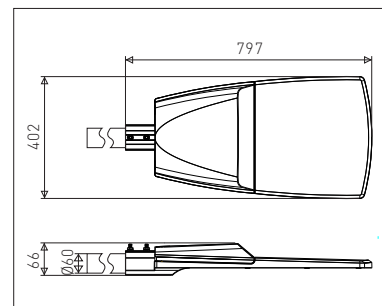
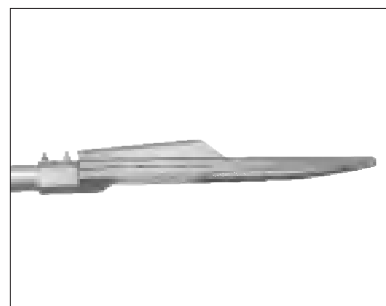
Model	Power (W)	CRI	CCT (K)	LED QTY(pcs) -120lm/w	LED QTY(pcs) -130lm/w	LED QTY(pcs) -140lm/w	LED QTY(pcs) -150lm/w	Weight (kg)
R.3242A.10.0125.0XX.XX.02	125	80	2700	240	/	/	/	6.1
		70	3000	144	192	/	/	6.1
		70	4000/5000	144	144	192	/	6.1
R.3242A.10.0150.0XX.XX.02	150	80	2700	256	/	/	/	6.1
		70	3000	144	256	/	/	6.1
		70	4000/5000	144	176	256	/	6.1
R.3242A.10.0180.0XX.XX.02	180	80	2700	320	/	/	/	6.2
		70	3000	192	320	/	/	6.2
		70	4000/5000	192	208	320	/	6.2
R.3242A.10.0200.0XX.XX.02	200	80	2700	320	/	/	/	6.2
		70	3000	208	320	/	/	6.2
		70	4000/5000	224	224	320	/	6.2

Remark : ".0XX." for light distribution Type2/Type3/Type4/FN/PX, ".XX." for CCT 2700K/3000K/4000K/5000K, example light distribution Type2、 CCT 3000K, then full name is "R.3242A.10.0200.0T2.W3.02".

AC90V-305V 50/60Hz 5050(8 in 1) IP66 (Light distribution : Type2/Type3/Type4/FN/PX)

Model	Power (W)	CRI	CCT (K)	LED QTY(pcs) -120lm/w	LED QTY(pcs) -130lm/w	LED QTY(pcs) -140lm/w	LED QTY(pcs) -150lm/w	Weight (kg)
R.3242C.10.0100.0XX.XX.02	100	70	2700	/	/	/	/	5.9
		70	3000	/	/	/	/	5.9
		70	4000/5000	/	/	/	/	5.9
R.3242C.10.0125.0XX.XX.02	125	70	2700	/	50	86	/	6.1
		70	3000	/	/	60	100	6.1
		70	4000/5000	/	/	/	72	6.1
R.3242C.10.0150.0XX.XX.02	150	70	2700	/	60	96	/	6.1
		70	3000	/	/	72	118	6.1
		70	4000/5000	/	/	/	84	6.1
R.3242C.10.0180.0XX.XX.02	180	70	2700	/	72	118	/	6.2
		70	3000	/	/	86	142	6.2
		70	4000/5000	/	/	/	100	6.2
R.3242C.10.0200.0XX.XX.02	200	70	2700	/	86	132	/	6.2
		70	3000	/	/	108	160	6.2
		70	4000/5000	/	/	/	126	6.2

Remark : ".0XX." for light distribution Type2/Type3/Type4/FN/PX, ".XX." for CCT 2700K/3000K/4000K/5000K, example light distribution Type2、 CCT 3000K, then full name is "R.3242C.10.0200.0T2.W3.02".



AC90V-305V 50/60Hz 3030(16 in 1) IP66 (Light distribution : Type2/Type3/Type4/FN/PX)

Model	Power (W)	CRI	CCT (K)	LED QTY(pcs) -120lm/w	LED QTY(pcs) -130lm/w	LED QTY(pcs) -140lm/w	LED QTY(pcs) -150lm/w	Weight (kg)
R.3243A.10.0225.0XX.XX.02	225	80	2700	400	/	/	/	8.8
		70	3000	240	400	/	/	8.8
		70	4000/5000	240	240	380	/	8.8
R.3243A.10.0250.0XX.XX.02	250	80	2700	440	/	/	/	8.8
		70	3000	256	400	/	/	8.8
		70	4000/5000	256	256	380	/	8.8
R.3243A.10.0275.0XX.XX.02	275	80	2700	480	/	/	/	9.9
		70	3000	320	400	/	/	9.9
		70	4000/5000	320	320	440	/	9.9
R.3243A.10.0300.0XX.XX.02	300	80	2700	480	/	/	/	9.9
		70	3000	400	480	/	/	9.9
		70	4000/5000	400	400	480	/	9.9
R.3243A.10.0320.0XX.XX.02	320	80	2700	480	/	/	/	9.9
		70	3000	400	480	/	/	9.9
		70	4000/5000	400	400	/	/	9.9

Remark : ".0XX." for light distribution Type2/Type3/Type4/FN/PX, ".XX." for CCT 2700K/3000K/4000K/5000K,example light distribution Type2、 CCT 3000K, then full name is "R.3243A.10.0320.0T2.W3.02".

AC90V-305V 50/60Hz 5050(8 in 1) IP66 (Light distribution : Type2/Type3/Type4/FN/PX)

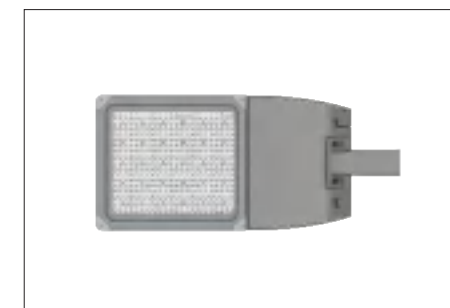
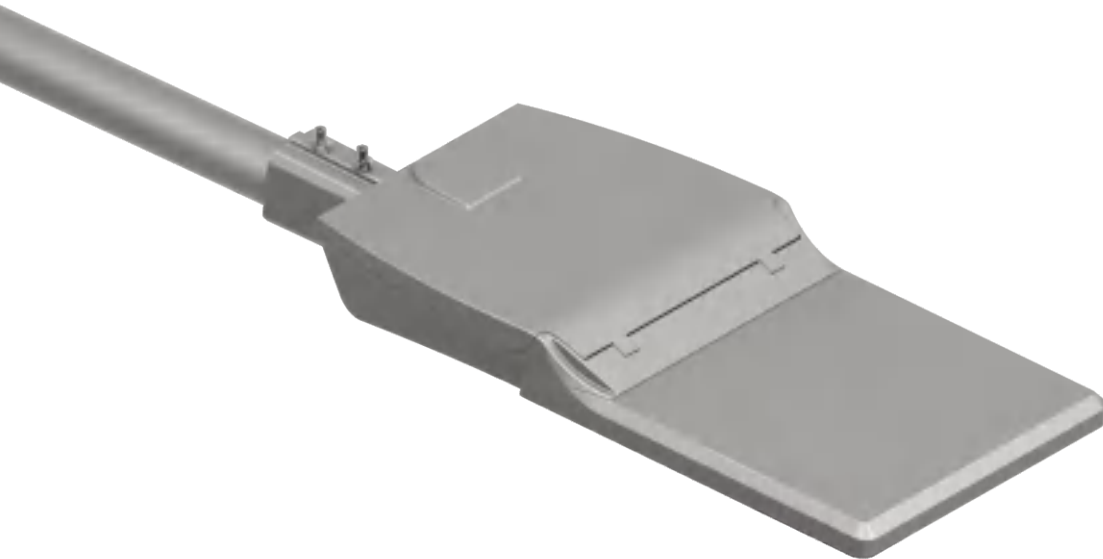
Model	Power (W)	CRI	CCT (K)	LED QTY(pcs) -120lm/w	LED QTY(pcs) -130lm/w	LED QTY(pcs) -140lm/w	LED QTY(pcs) -150lm/w	Weight (kg)
R.3243C.10.0225.0XX.XX.02	225	70	2700	/	92	142	/	8.8
		70	3000	/	/	108	172	8.8
		70	4000/5000	/	/	/	126	8.8
R.3243C.10.0250.0XX.XX.02	250	70	2700	/	100	160	/	8.8
		70	3000	/	/	118	186	8.8
		70	4000/5000	/	/	/	142	8.8
R.3243C.10.0275.0XX.XX.02	275	70	2700	/	108	172	/	9.9
		70	3000	/	/	132	216	9.9
		70	4000/5000	/	/	/	160	9.9
R.3243C.10.0300.0XX.XX.02	300	70	2700	/	126	192	/	9.9
		70	3000	/	/	160	240	9.9
		70	4000/5000	/	/	/	186	9.9
R.3243C.10.0320.0XX.XX.02	320	70	2700	/	142	216	/	9.9
		70	3000	/	/	172	240	9.9
		70	4000/5000	/	/	132	200	9.9

Remark : ".0XX." for light distribution Type2/Type3/Type4/FN/PX, ".XX." for CCT 2700K/3000K/4000K/5000K,example light distribution Type2、 CCT 3000K, then full name is "R.3243C.10.0320.0T2.W3.02".

LED Road Light

CHIRON R.327 SERIES

CHIRON R.327 series has R.3271、 R.3272、 R.3273 three different sizes,The entire lamp body is completed by integrated aluminum die-casting, with light source and power supply dual cavity, reduces the heat formation that overlaps with each other, which causing chip premature failure due to excessive temperature. Tempered glass for smooth surface protection, reducing environmental damage to optical and electronic components, effectively extending product lifespan. Body surface is smooth and clean, no protruding heat ribs or columns and concave structures, with self-cleaning function to avoid long term use of leaf stacking and other conditions which cause poor heat dissipation of lamp, resulting in product failure.



Product Description

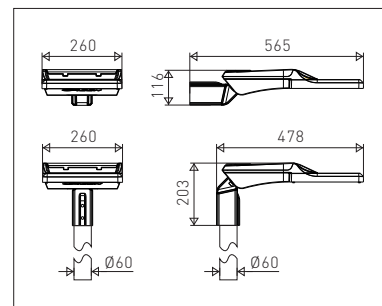
- Watts: 50W-320W
- Standard color temperature(C.C.T.): 2700K、 3000K、 4000K、 5000K
- Light distribution: Type 2、 Type 3、 Type 4、 FN、 PX

- Integrated die-casting of lamp body, tempered glass with smooth surface, providing comprehensive protection for optical and electronic components not affected by the environment;
- IP66 waterproof and dustproof structure sealing design
- IK09 anti-collision performance
- Vibration level: 3G
- Positive surge protection performance and over voltage, over temperature, over power,short circuit protection
- Unaided operation without tools

- Adjustable spigot for flexible response to various installation requirements

Components Choosable

- Vertical install transition sleeve
- Power off protector
- Optical controller
- Intelligent control interface and intelligent control accessories
- Falling prevention safety rope
- Single lamp single control
- Surge Protective Device



AC90V~305V 50/60Hz 3030(16 in 1) IP66 (Light distribution : Type2/Type3/Type4/FN/PX)

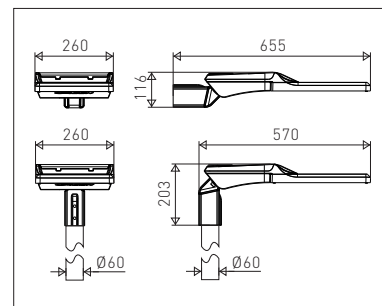
Model	Power (W)	CRI	CCT (K)	LED QTY(pcs) -120lm/w	LED QTY(pcs) -130lm/w	LED QTY(pcs) -140lm/w	LED QTY(pcs) -150lm/w	Weight (kg)
R.3271A.10.0050.0XX.XX.02	50	80	2700	132	/	/	/	4.7
		70	3000	48	96	/	/	4.7
		70	4000/5000	48	72	96	/	4.7
R.3271A.10.0075.0XX.XX.02	75	80	2700	144	/	/	/	4.7
		70	3000	72	144	/	/	4.7
		70	4000/5000	72	96	144	/	4.7
R.3271A.10.0100.0XX.XX.02	100	80	2700	/	/	/	/	4.7
		70	3000	108	/	/	/	4.7
		70	4000/5000	108	132	/	/	4.7

Remark : ".0XX." for light distribution Type2/Type3/Type4/FN/PX, ".XX." for CCT 2700K/3000K/4000K/5000K, example light distribution Type2、CCT 3000K, then full name is "R.3271A.10.0100.0T2.W3.02".

AC90V~305V 50/60Hz 5050(8 in 1) IP66 (Light distribution : Type2/Type3/Type4/FN/PX)

Model	Power (W)	CRI	CCT (K)	LED QTY(pcs) -120lm/w	LED QTY(pcs) -130lm/w	LED QTY(pcs) -140lm/w	LED QTY(pcs) -150lm/w	Weight (kg)
R.3271C.10.0050.0XX.XX.02	50	70	2700	/	28	56	/	4.7
		70	3000	/	/	36	72	4.7
		70	4000/5000	/	/	/	46	4.7
R.3271C.10.0075.0XX.XX.02	75	70	2700	/	36	66	/	4.7
		70	3000	/	/	46	/	4.7
		70	4000/5000	/	/	/	54	4.7
R.3271C.10.0100.0XX.XX.02	100	70	2700	32	50	/	/	4.7
		70	3000	/	40	60	/	4.7
		70	4000/5000	/	/	46	72	4.7

Remark : ".0XX." for light distribution Type2/Type3/Type4/FN/PX, ".XX." for CCT 2700K/3000K/4000K/5000K, example light distribution Type2、CCT 3000K, then full name is "R.3271C.10.0100.0T2.W3.02".



AC90V~305V 50/60Hz 3030(16 in 1) IP66 (Light distribution : Type2/Type3/Type4/FN/PX)

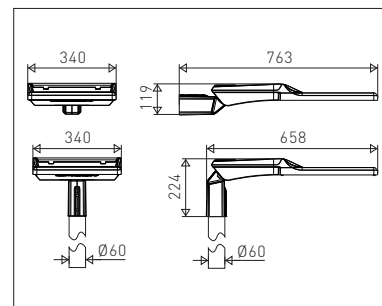
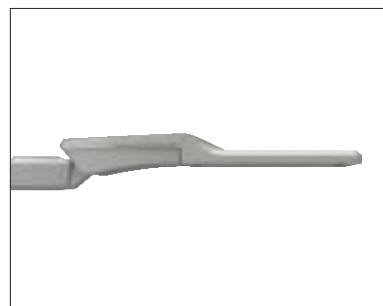
Model	Power (W)	CRI	CCT (K)	LED QTY(pcs) -120lm/w	LED QTY(pcs) -130lm/w	LED QTY(pcs) -140lm/w	LED QTY(pcs) -150lm/w	Weight (kg)
R.3272A.10.0125.0XX.XX.02	125	80	2700	240	/	/	/	5.6
		70	3000	144	192	/	/	5.6
		70	4000/5000	144	144	192	/	5.6
R.3272A.10.0150.0XX.XX.02	150	80	2700	/	/	/	/	5.6
		70	3000	176	240	/	/	5.6
		70	4000/5000	144	176	240	/	5.6
R.3272A.10.0180.0XX.XX.02	180	80	2700	/	/	/	/	5.7
		70	3000	192	/	/	/	5.7
		70	4000/5000	192	208	/	/	5.7
R.3272A.10.0200.0XX.XX.02	200	80	2700	/	/	/	/	5.7
		70	3000	240	/	/	/	5.7
		70	4000/5000	240	240	/	/	5.7

Remark : ".0XX." for light distribution Type2/Type3/Type4/FN/PX, ".XX." for CCT 2700K/3000K/4000K/5000K, example light distribution Type2、 CCT 3000K, then full name is "R.3272A.10.0200.0T2.W3.02".

AC90V~305V 50/60Hz 5050(8 in 1) IP66 (Light distribution : Type2/Type3/Type4/FN/PX)

Model	Power (W)	CRI	CCT (K)	LED QTY(pcs) -120lm/w	LED QTY(pcs) -130lm/w	LED QTY(pcs) -140lm/w	LED QTY(pcs) -150lm/w	Weight (kg)
R.3272C.10.0075.0XX.XX.02	75	70	2700	/	/	/	/	5.3
		70	3000	/	/	/	86	5.3
		70	4000/5000	/	/	/	/	5.3
R.3272C.10.0100.0XX.XX.02	100	70	2700	/	/	80	/	5.4
		70	3000	/	/	/	96	5.4
		70	4000/5000	/	/	/	/	5.4
R.3272C.10.0125.0XX.XX.02	125	70	2700	/	50	86	/	5.6
		70	3000	/	/	60	100	5.6
		70	4000/5000	/	/	/	72	5.6
R.3272C.10.0150.0XX.XX.02	150	70	2700	40	60	96	/	5.6
		70	3000	/	/	72	118	5.6
		70	4000/5000	/	/	/	84	5.6
R.3272C.10.0180.0XX.XX.02	180	70	2700	50	72	118	/	5.7
		70	3000	/	56	86	142	5.7
		70	4000/5000	/	/	66	100	5.7
R.3272C.10.0200.0XX.XX.02	200	70	2700	56	86	/	/	5.7
		70	3000	/	66	108	/	5.7
		70	4000/5000	/	/	80	126	5.7

Remark : ".0XX." for light distribution Type2/Type3/Type4/FN/PX, ".XX." for CCT 2700K/3000K/4000K/5000K, example light distribution Type2、 CCT 3000K, then full name is "R.3272C.10.0200.0T2.W3.02".



AC90V~305V 50/60Hz 3030(16 in 1) IP66 (Light distribution : Type2/Type3/Type4/FN/PX)

Model	Power (W)	CRI	CCT (K)	LED QTY(pcs) -120lm/w	LED QTY(pcs) -130lm/w	LED QTY(pcs) -140lm/w	LED QTY(pcs) -150lm/w	Weight (kg)
R.3273A.10.0225.0XX.XX.02	225	80	2700	400	/	/	/	8.0
		70	3000	240	400	/	/	8.0
		70	4000/5000	240	240	400	/	8.0
R.3273A.10.0250.0XX.XX.02	250	80	2700	440	/	/	/	8.0
		70	3000	256	400	/	/	8.0
		70	4000/5000	256	256	400	/	8.0
R.3273A.10.0275.0XX.XX.02	275	80	2700	480	/	/	/	9.1
		70	3000	320	440	/	/	9.1
		70	4000/5000	320	320	440	/	9.1
R.3273A.10.0300.0XX.XX.02	300	80	2700	480	/	/	/	9.1
		70	3000	400	480	/	/	9.1
		70	4000/5000	400	400	480	/	9.1
R.3273A.10.0320.0XX.XX.02	320	80	2700	480	/	/	/	9.1
		70	3000	400	480	/	/	9.1
		70	4000/5000	400	400	/	/	9.1

Remark : ".0XX." for light distribution Type2/Type3/Type4/FN/PX, ".XX." for CCT 2700K/3000K/4000K/5000K,example light distribution Type2、 CCT 3000K, then full name is "R.3273A.10.0320.0T2.W3.02".

AC90V~305V 50/60Hz 5050(8 in 1) IP66 (Light distribution : Type2/Type3/Type4/FN/PX)

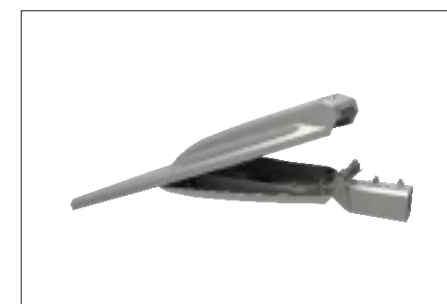
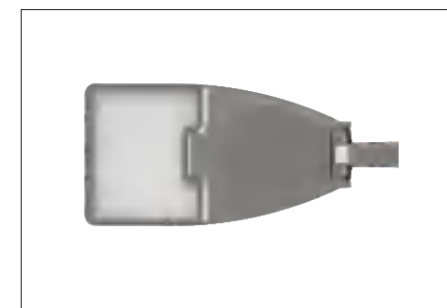
Model	Power (W)	CRI	CCT (K)	LED QTY(pcs) -120lm/w	LED QTY(pcs) -130lm/w	LED QTY(pcs) -140lm/w	LED QTY(pcs) -150lm/w	Weight (kg)
R.3273C.10.0200.0XX.XX.02	200	70	2700	/	/	132	/	8.0
		70	3000	/	/	/	160	8.0
		70	4000/5000	/	/	/	/	8.0
R.3273C.10.0225.0XX.XX.02	225	70	2700	/	92	142	/	8.0
		70	3000	/	/	108	172	8.0
		70	4000/5000	/	/	/	126	8.0
R.3273C.10.0250.0XX.XX.02	250	70	2700	/	100	160	/	8.0
		70	3000	/	/	118	186	8.0
		70	4000/5000	/	/	/	142	8.0
R.3273C.10.0275.0XX.XX.02	275	70	2700	/	108	172	/	9.1
		70	3000	/	/	132	216	9.1
		70	4000/5000	/	/	/	160	9.1
R.3273C.10.0300.0XX.XX.02	300	70	2700	/	126	192	/	9.1
		70	3000	/	/	160	240	9.1
		70	4000/5000	/	/	/	186	9.1
R.3273C.10.0320.0XX.XX.02	320	70	2700	/	142	216	/	9.1
		70	3000	/	/	172	240	9.1
		70	4000/5000	/	/	134	200	9.1

Remark : ".0XX." for light distribution Type2/Type3/Type4/FN/PX, ".XX." for CCT 2700K/3000K/4000K/5000K,example light distribution Type2、 CCT 3000K, then full name is "R.3273C.10.0320.0T2.W3.02".

LED Road Light

CHIRON R.322 SERIES

CHIRON R.322 series was developed and designed by Green Lighting independently. The design concept of this lamp is simple shape and screw invisible which makes it extremely concise. The surface is very smooth with ideal self-cleaning function. The proportion of the light source cavity follows gold ratio, which looks visually harmonious and durable. With its own breathing device, balance internal and external pressure, and maintain heat dissipation stability. The lamp can be opened without tools and is equipped with a plug-in switch. Open the lamp will cut off the power immediately, enhancing safety. The electrical part can be taken out as a whole, making it convenient for maintenance and improving work efficiency.

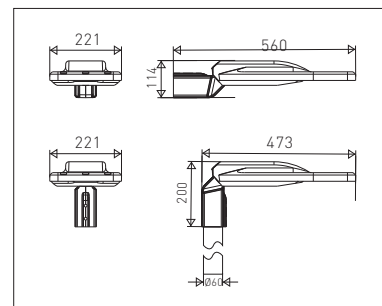
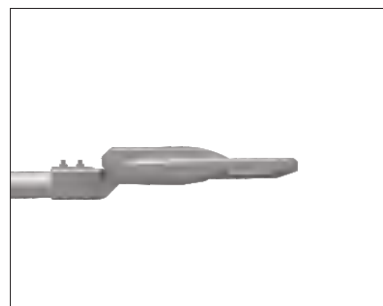


Product Description

- Watts: 50W-300W
- Standard color temperature(C.C.T.): 2700K、3000K、4000K、5000K
- Light distribution: Type 2、Type 3、Type 4、FN、PX
- High standard ADC12 Aluminium, integrated die-casting technology
- High light transmittance ultra-white tempered glass, light transmittance up to 92%
- IP66 waterproof and dustproof structure design(no gluing), IK09 anti-collision design
- Vibration level: 3G
- Positive surge protection performance and over voltage, over temperature, over power,short circuit protection
- Unaided operation without tools
- ePTFE breathing device, balance internal and external pressure, improving the lifespan of lamp
- Light source cavity and electrical cavity are independent of each other
- Unaided operation without tools
- Adjustable spigot for flexible response to various installation requirements

Components Choosable

- Vertical install transition sleeve
- Power off protector
- Optical controller
- Intelligent control interface and intelligent control accessories
- Falling prevention safety rope
- Single lamp single control
- Surge Protective Device



AC90V~305V 50/60Hz 3030(16 in 1) IP66 (Light distribution : Type2/Type3/Type4/FN/PX)

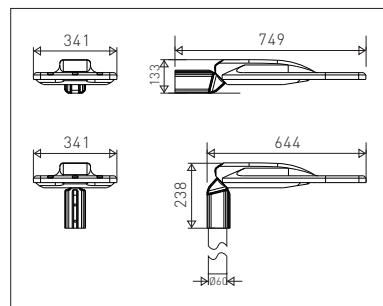
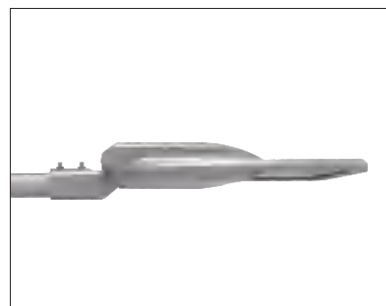
Model	Power (W)	CRI	CCT (K)	LED QTY(pcs) -120lm/w	LED QTY(pcs) -130lm/w	LED QTY(pcs) -140lm/w	LED QTY(pcs) -150lm/w	Weight (kg)
R.3221A.10.0050.0XX.XX.02	50	80	2700	/	/	/	/	4.0
		70	3000	48	96	/	/	4.0
		70	4000/5000	48	72	96	/	4.0
R.3221A.10.0075.0XX.XX.02	75	80	2700	/	/	/	/	4.0
		70	3000	72	/	/	/	4.0
		70	4000/5000	72	96	/	/	4.0
R.3221A.10.0100.0XX.XX.02	100	80	2700	/	/	/	/	4.1
		70	3000	96	/	/	/	4.1
		70	4000/5000	96	/	/	/	4.1

Remark : ".0XX." for light distribution Type2/Type3/Type4/FN/PX, ".XX." for CCT 2700K/3000K/4000K/5000K,example light distribution Type2、 CCT 3000K, then full name is "R.3221A.10.0100.0T2.W3.02".

AC90V~305V 50/60Hz 5050(8 in 1) IP66 (Light distribution : Type2/Type3/Type4/FN/PX)

Model	Power (W)	CRI	CCT (K)	LED QTY(pcs) -120lm/w	LED QTY(pcs) -130lm/w	LED QTY(pcs) -140lm/w	LED QTY(pcs) -150lm/w	Weight (kg)
R.3221C.10.0050.0XX.XX.02	50	70	2700	16	28	/	/	4.0
		70	3000	/	/	36	/	4.0
		70	4000/5000	/	/	/	46	4.0
R.3221C.10.0075.0XX.XX.02	75	70	2700	24	36	/	/	4.0
		70	3000	/	28	48	/	4.0
		70	4000/5000	/	/	32	/	4.0
R.3221C.10.0100.0XX.XX.02	100	70	2700	32	48	/	/	4.1
		70	3000	/	40	/	/	4.1
		70	4000/5000	/	30	48	/	4.1

Remark : ".0XX." for light distribution Type2/Type3/Type4/FN/PX, ".XX." for CCT 2700K/3000K/4000K/5000K,example light distribution Type2、 CCT 3000K, then full name is "R.3221C.10.0100.0T2.W3.02".



AC90V-305V 50/60Hz 3030(16 in 1) IP66 (Light distribution : Type2/Type3/Type4/FN/PX)

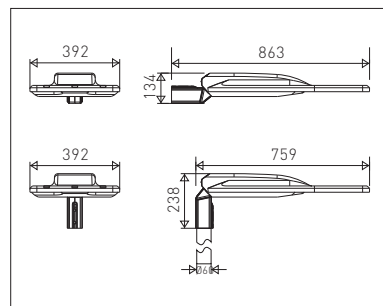
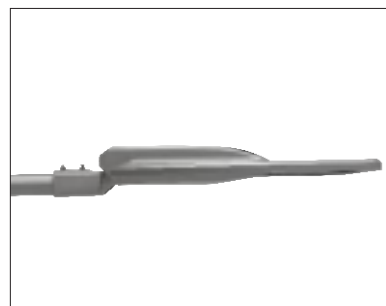
Model	Power (W)	CRI	CCT (K)	LED QTY(pcs) -120lm/w	LED QTY(pcs) -130lm/w	LED QTY(pcs) -140lm/w	LED QTY(pcs) -150lm/w	Weight (kg)
R.3222A.10.0125.0XX.XX.02	125	80	2700	/	/	/	/	7.6
		70	3000	144	192	/	/	7.6
		70	4000/5000	144	144	192	/	7.6
R.3222A.10.0150.0XX.XX.02	150	80	2700	/	/	/	/	7.6
		70	3000	144	256	/	/	7.6
		70	4000/5000	144	176	256	/	7.6
R.3222A.10.0180.0XX.XX.02	180	80	2700	/	/	/	/	7.7
		70	3000	192	/	/	/	7.7
		70	4000/5000	192	208	/	/	7.7
R.3222A.10.0200.0XX.XX.02	200	80	2700	/	/	/	/	7.7
		70	3000	208	/	/	/	7.7
		70	4000/5000	224	224	/	/	7.7

Remark : ".0XX." for light distribution Type2/Type3/Type4/FN/PX, ".XX." for CCT 2700K/3000K/4000K/5000K, example light distribution Type2、CCT 3000K, then full name is "R.3222A.10.0200.0T2.W3.02".

AC90V-305V 50/60Hz 5050(8 in 1) IP66 (Light distribution : Type2/Type3/Type4/FN/PX)

Model	Power (W)	CRI	CCT (K)	LED QTY(pcs) -120lm/w	LED QTY(pcs) -130lm/w	LED QTY(pcs) -140lm/w	LED QTY(pcs) -150lm/w	Weight (kg)
R.3222C.10.0050.0XX.XX.02	50	70	2700	/	/	56	/	7.3
		70	3000	/	/	/	72	7.3
		70	4000/5000	/	/	/	/	7.3
R.3222C.10.0075.0XX.XX.02	75	70	2700	/	/	66	/	7.3
		70	3000	/	/	/	86	7.3
		70	4000/5000	/	/	/	54	7.3
R.3222C.10.0100.0XX.XX.02	100	70	2700	/	/	86	/	7.4
		70	3000	/	/	60	96	7.4
		70	4000/5000	/	/	/	72	7.4
R.3222C.10.0125.0XX.XX.02	125	70	2700	32	50	86	/	7.6
		70	3000	/	/	66	100	7.6
		70	4000/5000	/	/	/	72	7.6
R.3222C.10.0150.0XX.XX.02	150	70	2700	40	60	96	/	7.6
		70	3000	/	/	72	120	7.6
		70	4000/5000	/	/	/	84	7.6
R.3222C.10.0180.0XX.XX.02	180	70	2700	50	72	120	/	7.7
		70	3000	/	56	86	136	7.7
		70	4000/5000	/	/	66	100	7.7
R.3222C.10.0200.0XX.XX.02	200	70	2700	54	86	136	/	7.7
		70	3000	/	66	108	/	7.7
		70	4000/5000	/	/	80	120	7.7

Remark : ".0XX." for light distribution Type2/Type3/Type4/FN/PX, ".XX." for CCT 2700K/3000K/4000K/5000K, example light distribution Type2、CCT 3000K, then full name is "R.3222C.10.0200.0T2.W3.02".



AC90V-305V 50/60Hz 3030(16 in 1) IP66 (Light distribution : Type2/Type3/Type4/FN/PX)

Model	Power (W)	CRI	CCT (K)	LED QTY(pcs) -120lm/w	LED QTY(pcs) -130lm/w	LED QTY(pcs) -140lm/w	LED QTY(pcs) -150lm/w	Weight (kg)
R.3223A.10.0225.0XX.XX.02	225	80	2700	/	/	/	/	8.9
		70	3000	240	384	/	/	8.9
		70	4000/5000	240	240	380	/	8.9
R.3223A.10.0250.0XX.XX.02	250	80	2700	/	/	/	/	8.9
		70	3000	256	384	/	/	8.9
		70	4000/5000	256	256	380	/	8.9
R.3223A.10.0275.0XX.XX.02	275	80	2700	/	/	/	/	10.0
		70	3000	320	416	/	/	10.0
		70	4000/5000	320	320	416	/	10.0
R.3223A.10.0300.0XX.XX.02	300	80	2700	/	/	/	/	10.0
		70	3000	416	416	/	/	10.0
		70	4000/5000	384	360	416	/	10.0

Remark : ".0XX." for light distribution Type2/Type3/Type4/FN/PX, ".XX." for CCT 2700K/3000K/4000K/5000K, example light distribution Type2、CCT 3000K, then full name is "R.3223A.10.0300.0T2.W3.02".

AC90V-305V 50/60Hz 5050(8 in 1) IP66 (Light distribution : Type2/Type3/Type4/FN/PX)

Model	Power (W)	CRI	CCT (K)	LED QTY(pcs) -120lm/w	LED QTY(pcs) -130lm/w	LED QTY(pcs) -140lm/w	LED QTY(pcs) -150lm/w	Weight (kg)
R.3223C.10.0200.0XX.XX.02	200	70	2700	/	/	/	/	8.9
		70	3000	/	/	/	160	8.9
		70	4000/5000	/	/	/	/	8.9
R.3223C.10.0225.0XX.XX.02	225	70	2700	60	92	142	/	8.9
		70	3000	/	/	108	172	8.9
		70	4000/5000	/	/	/	126	8.9
R.3223C.10.0250.0XX.XX.02	250	70	2700	66	100	160	/	8.9
		70	3000	/	/	118	186	8.9
		70	4000/5000	/	/	/	142	8.9
R.3223C.10.0275.0XX.XX.02	275	70	2700	72	108	172	/	10.0
		70	3000	/	/	132	208	10.0
		70	4000/5000	/	/	/	160	10.0
R.3223C.10.0300.0XX.XX.02	300	70	2700	80	128	192	/	10.0
		70	3000	/	/	160	208	10.0
		70	4000/5000	/	/	/	186	10.0

Remark : ".0XX." for light distribution Type2/Type3/Type4/FN/PX, ".XX." for CCT 2700K/3000K/4000K/5000K, example light distribution Type2、CCT 3000K, then full name is "R.3223C.10.0300.0T2.W3.02".

LED Road Light

CHIRON R.321 SERIES

CHIRON R.3212 and R.3213, The shape is simple, flexible and smooth, with ideal self-cleaning function such as no water, no snow accumulation ect; Combined with high performance LED and driver technology, which can provide perfect road lighting solutions for urban road planning and design. Integrated aluminum die-casting technology is reliable and durable. With high speed wind resistance design, making it easy to meet various harsh environment. Single lights and a variety of system configuration can help you easily and safely to realize road lighting green and environment-friendly intelligent upgrade, which is an excellent new product for outdoor road lighting.

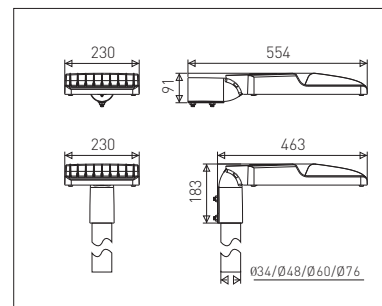
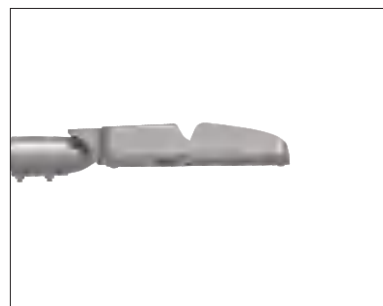


Product Description

- R.3212, R.3213 with adjustable spigot, suitable for $\varnothing 34\text{mm}$, $\varnothing 48\text{mm}$, $\varnothing 60\text{mm}$, $\varnothing 76$ ect different sizes spigot, flexible response to various installation requirements;
- Integrated aluminum die-casting technology is reliable and durable. With high speed wind resistance design, making it easy to meet various harsh environment.
- Watts: 50W-200W
- Standard color temperature(C.C.T.): 2700K, 3000K, 4000K, 5000K
- Light distribution: Type 2, Type 3, Type 4, FN, PX
- Integrated die-casting of lamp body, tempered glass with smooth surface, providing comprehensive protection for optical and electronic components not affected by the environment;
- IP66 waterproof and dustproof structure sealing design
- IK08 anti-collision performance
- Vibration level: 3G
- Positive surge protection performance and over voltage, over temperature, over power, short circuit protection
- Adjustable spigot for flexible response to various installation requirements

Components Choosable

- Vertical install transition sleeve
- Power off protector
- Optical controller
- Intelligent control interface and intelligent control accessories
- Falling prevention safety rope
- Single lamp single control
- Surge Protective Device



AC90V~305V 50/60Hz 3030(16 in 1) IP66 (Light distribution : Type2/Type3/Type4/FN/PX)

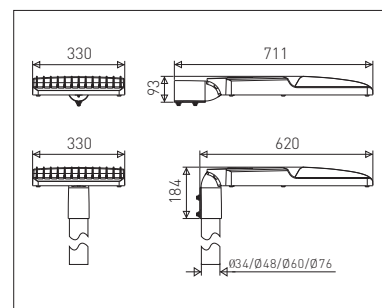
Model	Power (W)	CRI	CCT (K)	LED QTY(pcs) -120lm/w	LED QTY(pcs) -130lm/w	LED QTY(pcs) -140lm/w	LED QTY(pcs) -150lm/w	Weight (kg)
R.3212D.10.0050.0XX.XX.02	50	80	2700	132	/	/	/	5.1
		70	3000	48	96	/	/	5.1
		70	4000/5000	48	72	96	/	5.1
R.3212D.10.0075.0XX.XX.02	75	80	2700	144	/	/	/	5.1
		70	3000	72	144	/	/	5.1
		70	4000/5000	72	96	144	/	5.1
R.3212D.10.0100.0XX.XX.02	100	80	2700	144	/	/	/	5.2
		70	3000	108	/	/	/	5.2
		70	4000/5000	108	132	/	/	5.2

Remark : ".0XX." for light distribution Type2/Type3/Type4/FN/PX, ".XX." for CCT 2700K/3000K/4000K/5000K,example light distribution Type2、 CCT 3000K, then full name is "R.3212D.10.0100.0T2.W3.02".

AC90V~305V 50/60Hz 5050(8 in 1) IP66 (Light distribution : Type2/Type3/Type4/FN/PX)

Model	Power (W)	CRI	CCT (K)	LED QTY(pcs) -120lm/w	LED QTY(pcs) -130lm/w	LED QTY(pcs) -140lm/w	LED QTY(pcs) -150lm/w	Weight (kg)
R.3212F.10.0050.0XX.XX.02	50	70	2700	/	30	60	/	5.1
		70	3000	/	/	36	72	5.1
		70	4000/5000	/	/	/	62	5.1
R.3212F.10.0075.0XX.XX.02	75	70	2700	/	36	72	/	5.1
		70	3000	/	/	52	/	5.1
		70	4000/5000	/	/	/	72	5.1
R.3212F.10.0100.0XX.XX.02	100	70	2700	/	52	/	/	5.2
		70	3000	/	/	60	/	5.2
		70	4000/5000	/	/	/	72	5.2

Remark : ".0XX." for light distribution Type2/Type3/Type4/FN/PX, ".XX." for CCT 2700K/3000K/4000K/5000K,example light distribution Type2、 CCT 3000K, then full name is "R.3212F.10.0100.0T2.W3.02".



AC90V-305V 50/60Hz 3030(16 in 1) IP66 (Light distribution : Type2/Type3/Type4/FN/PX)

Model	Power (W)	CRI	CCT (K)	LED QTY(pcs) -120lm/w	LED QTY(pcs) -130lm/w	LED QTY(pcs) -140lm/w	LED QTY(pcs) -150lm/w	Weight (kg)
R.3213D.10.0100.OXX.XX.02	100	80	2700	/	/	/	/	8.8
		70	3000	/	176	/	/	8.8
		70	4000/5000	/	/	176	/	8.8
R.3213D.10.0125.OXX.XX.02	125	80	2700	240	/	/	/	9.0
		70	3000	144	192	/	/	9.0
		70	4000/5000	112	144	192	/	9.0
R.3213D.10.0150.OXX.XX.02	150	80	2700	256	/	/	/	9.0
		70	3000	176	256	/	/	9.0
		70	4000/5000	144	176	256	/	9.0
R.3213D.10.0180.OXX.XX.02	180	80	2700	320	/	/	/	9.1
		70	3000	192	320	/	/	9.1
		70	4000/5000	176	208	320	/	9.1
R.3213D.10.0200.OXX.XX.02	200	80	2700	320	/	/	/	9.1
		70	3000	240	320	/	/	9.1
		70	4000/5000	192	224	320	/	9.1

Remark : ".OXX." for light distribution Type2/Type3/Type4/FN/PX, ".XX." for CCT 2700K/3000K/4000K/5000K, example light distribution Type2、CCT 3000K, then full name is "R.3213D.10.0200.0T2.W3.02".

AC90V-305V 50/60Hz 5050(8 in 1) IP66 (Light distribution : Type2/Type3/Type4/FN/PX)

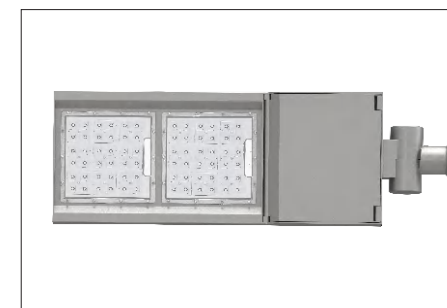
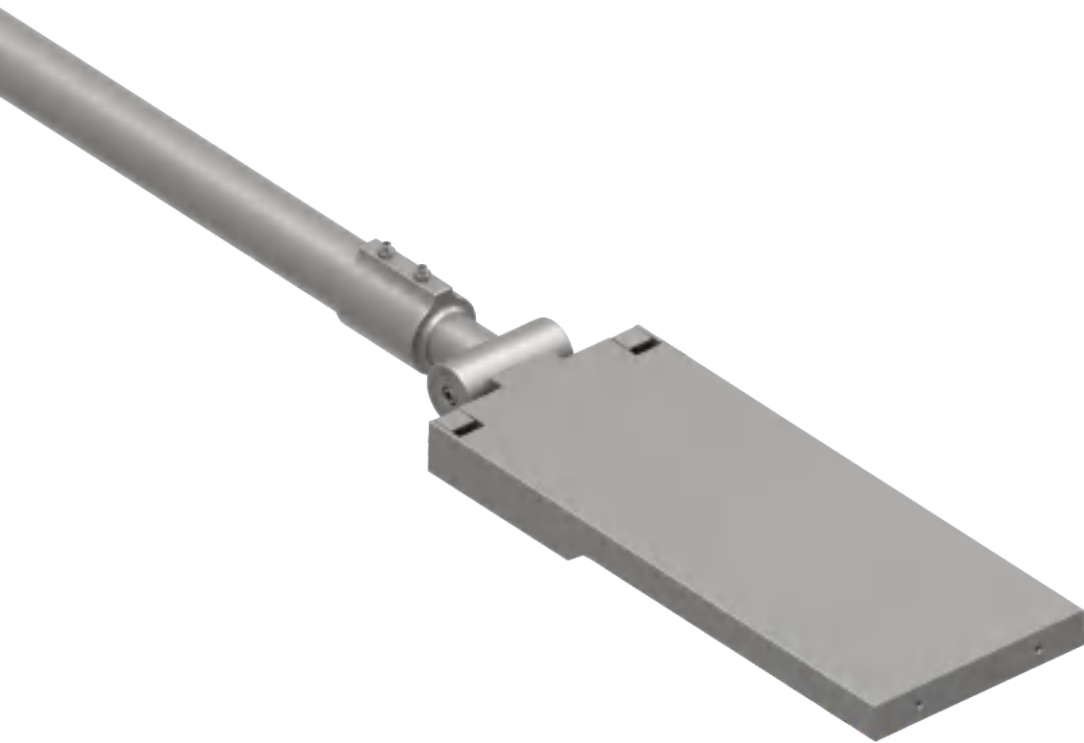
Model	Power (W)	CRI	CCT (K)	LED QTY(pcs) -120lm/w	LED QTY(pcs) -130lm/w	LED QTY(pcs) -140lm/w	LED QTY(pcs) -150lm/w	Weight (kg)
R.3213F.10.0075.OXX.XX.02	75	70	2700	/	/	/	/	8.7
		70	3000	/	/	/	84	8.7
		70	4000/5000	/	/	/	/	8.7
R.3213F.10.0100.OXX.XX.02	100	70	2700	/	/	84	136	8.8
		70	3000	/	/	/	96	8.8
		70	4000/5000	/	/	/	/	8.8
R.3213F.10.0125.OXX.XX.02	125	70	2700	/	60	96	140	9.0
		70	3000	/	/	72	116	9.0
		70	4000/5000	/	/	/	84	9.0
R.3213F.10.0150.OXX.XX.02	150	70	2700	/	72	108	160	9.0
		70	3000	/	/	84	128	9.0
		70	4000/5000	/	/	/	96	9.0
R.3213F.10.0180.OXX.XX.02	180	70	2700	/	84	120	/	9.1
		70	3000	/	/	108	150	9.1
		70	4000/5000	/	/	/	116	9.1
R.3213F.10.0200.OXX.XX.02	200	70	2700	/	96	128	/	9.1
		70	3000	/	/	120	160	9.1
		70	4000/5000	/	/	/	128	9.1

Remark : ".OXX." for light distribution Type2/Type3/Type4/FN/PX, ".XX." for CCT 2700K/3000K/4000K/5000K, example light distribution Type2、CCT 3000K, then full name is "R.3213F.10.0200.0T2.W3.02".

LED Road Light

CHIRON R.3208

CHIRON R.3208 series product is a kind of original design by Italian lighting designmaster. The whole lamp shape is simple and concise .external without heat dissipationrib design ensures the surface smooth with self-cleaning function ,which makes surethere is good heating dissipation space between lamp surface and the air ,thus this isan excellent outdoor lighting product. Widely used in urban express way , major roadcollector road ,intersection ,parking lat ,public square ,park and other places .

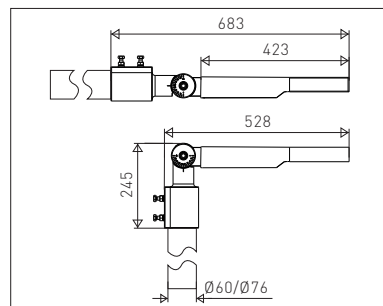
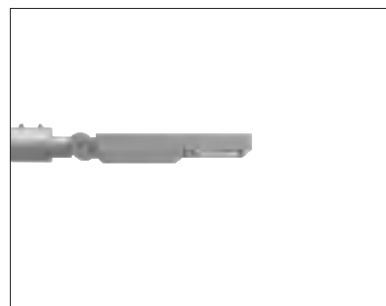


Product Description

- Watts: 30W-200W
- Standard color temperature(C.C.T.): 2200K、 2700K、 3000K、 4000K、 5000K
- Light distribution: Type 2、 Type 3、 Type 4、 FN、 PX
- High standard ADC12 Aluminum
- The whole lamp is with IP 65 waterproof and dust-proof design(No glue and IK 09 protective design
- The bracket with dial scale can adjust the angle accurately ,horizontal and vertical installation can be adjusted
- as well No heat dissipation rib design suitable for ambient temperature -20C~+40C
- Sleeve tube: suitable for Ø60/Ø76mm diameter pole installation
- Buckle connecting open electric cabinet tool-less

Components Choosable

- Vertical install transition sleeve
- Intelligent control interface and intelligent control accessories
- Falling prevention safety rope
- Single lamp single control
- Surge Protective Device



AC90V~305V 50/60Hz 5050(8 in 1) IP66 (light distribution : Type2/Type3/Type4/FN/PX)

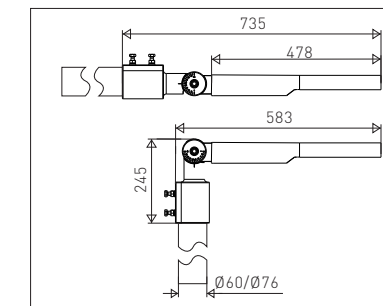
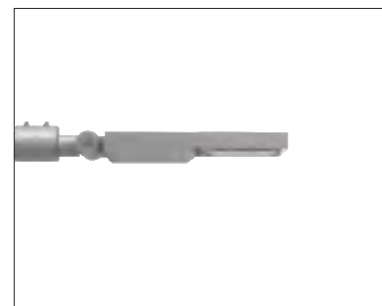
Model	Power (W)	CRI	CCT (K)	LED QTY(pcs) -120lm/w	LED QTY(pcs) -130lm/w	LED QTY(pcs) -140lm/w	LED QTY(pcs) -150lm/w	Weight (kg)
R.3208E.10.0050.0XX.XX.02	50	70	2700	/	24	/	/	7.5
		70	3000	/	/	36	/	7.5
		70	4000/5000	/	/	/	46	7.5

Remark : ".0XX." for light distribution Type2/Type3/Type4/FN/PX, ".XX." for CCT 2700K/3000K/4000K/5000K, example light distribution Type2、 CCT 3000K, then full name is "R.3208E.10.0050.0T2.W3.02".

AC90V~305V 50/60Hz 3030(16 in 1/24 in1) IP66 (light distribution : Type2/Type3/Type4/FN/PX)

Model	Power (W)	CRI	CCT (K)	LED QTY(pcs) -120lm/w	LED QTY(pcs) -130lm/w	LED QTY(pcs) -140lm/w	LED QTY(pcs) -150lm/w	Weight (kg)
R.3208G.10.0050.0XX.XX.02	50	80	2700	/	/	/	/	7.5
		70	3000	48	96	/	/	7.5
		70	4000/5000	48	72	96	/	7.5

Remark : ".0XX." for light distribution Type2/Type3/Type4/FN/PX, ".XX." for CCT 2700K/3000K/4000K/5000K, example light distribution Type2、 CCT 3000K, then full name is "R.3208G.10.0050.0T2.W3.02".



AC90V~305V 50/60Hz 5050(8 in 1) IP66 (light distribution : Type2/Type3/Type4/FN/PX)

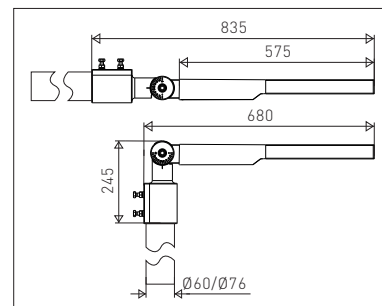
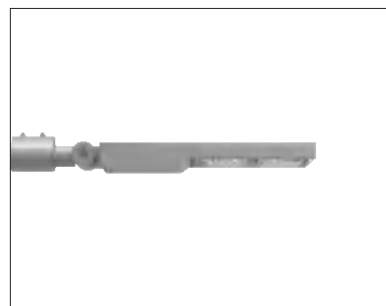
Model	Power (W)	CRI	CCT (K)	LED QTY(pcs) -120lm/w	LED QTY(pcs) -130lm/w	LED QTY(pcs) -140lm/w	LED QTY(pcs) -150lm/w	Weight (kg)
R.3208E.10.0050.0XX.XX.02	50	70	2700	/	/	56	/	8.1
		70	3000	/	/	/	72	8.1
		70	4000/5000	/	/	/	/	8.1
R.3208E.10.0075.0XX.XX.02	75	70	2700	/	36	68	/	8.1
		70	3000	/	/	46	/	8.1
		70	4000/5000	/	/	/	56	8.1
R.3208E.10.0100.0XX.XX.02	100	70	2700	/	50	72	/	8.1
		70	3000	/	/	60	/	8.1
		70	4000/5000	/	/	/	68	8.1

Remark : ".0XX." for light distribution Type2/Type3/Type4/FN/PX, ".XX." for CCT 2700K/3000K/4000K/5000K, example light distribution Type2、 CCT 3000K, then full name is "R.3208E.10.0050.0T2.W3.02".

AC90V~305V 50/60Hz 3030(16 in 1/24 in1) IP66 (light distribution : Type2/Type3/Type4/FN/PX)

Model	Power (W)	CRI	CCT (K)	LED QTY(pcs) -120lm/w	LED QTY(pcs) -130lm/w	LED QTY(pcs) -140lm/w	LED QTY(pcs) -150lm/w	Weight (kg)
R.3208G.10.0050.0XX.XX.02	50	80	2700	132	/	/	/	8.1
		70	3000	/	/	/	/	8.1
		70	4000/5000	/	/	/	/	8.1
R.3208G.10.0075.0XX.XX.02	75	80	2700	144	/	/	/	8.1
		70	3000	72	144	/	/	8.1
		70	4000/5000	72	96	144	/	8.1
R.3208G.10.0100.0XX.XX.02	100	80	2700	144	/	/	/	8.1
		70	3000	108	/	/	/	8.1
		70	4000/5000	108	132	/	/	8.1

Remark : ".0XX." for light distribution Type2/Type3/Type4/FN/PX, ".XX." for CCT 2700K/3000K/4000K/5000K, example light distribution Type2、 CCT 3000K, then full name is "R.3208G.10.0050.0T2.W3.02".



AC90V~305V 50/60Hz 5050(8 in 1) IP66 (light distribution : Type2/Type3/Type4/FN/PX)

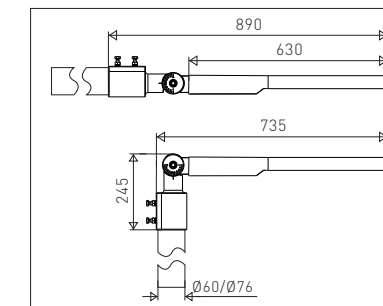
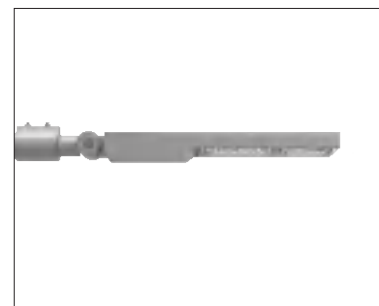
Model	Power (W)	CRI	CCT (K)	LED QTY(pcs) -120lm/w	LED QTY(pcs) -130lm/w	LED QTY(pcs) -140lm/w	LED QTY(pcs) -150lm/w	Weight (kg)
R.3208E.10.0075.0XX.XX.02	75	70	2700	/	/	/	/	8.5
		70	3000	/	/	/	88	8.5
		70	4000/5000	/	/	/	/	8.5
R.3208E.10.0100.0XX.XX.02	100	70	2700	/	/	/	/	8.5
		70	3000	/	/	/	96	8.5
		70	4000/5000	/	/	/	/	8.5
R.3208E.10.0125.0XX.XX.02	125	70	2700	/	56	88	/	8.5
		70	3000	/	/	68	/	8.5
		70	4000/5000	/	/	/	72	8.5

Remark : ".0XX." for light distribution Type2/Type3/Type4/FN/PX, ".XX." for CCT 2700K/3000K/4000K/5000K, example light distribution Type2、 CCT 3000K, then full name is "R.3208E.10.0100.0T2.W3.02".

AC90V~305V 50/60Hz 3030(16 in 1/24 in 1) IP66 (light distribution : Type2/Type3/Type4/FN/PX)

Model	Power (W)	CRI	CCT (K)	LED QTY(pcs) -120lm/w	LED QTY(pcs) -130lm/w	LED QTY(pcs) -140lm/w	LED QTY(pcs) -150lm/w	Weight (kg)
R.3208G.10.0100.0XX.XX.02	100	80	2700	/	/	/	/	8.5
		70	3000	/	180	/	/	8.5
		70	4000/5000	/	/	180	/	8.5
R.3208G.10.0125.0XX.XX.02	125	80	2700	/	/	/	/	8.5
		70	3000	144	192	/	/	8.5
		70	4000/5000	120	144	192	/	8.5

Remark : ".0XX." for light distribution Type2/Type3/Type4/FN/PX, ".XX." for CCT 2700K/3000K/4000K/5000K, example light distribution Type2、 CCT 3000K, then full name is "R.3208G.10.0100.0T2.W3.02".



AC90V~305V 50/60Hz 5050(8 in 1) IP66 (light distribution : Type2/Type3/Type4/FN/PX)

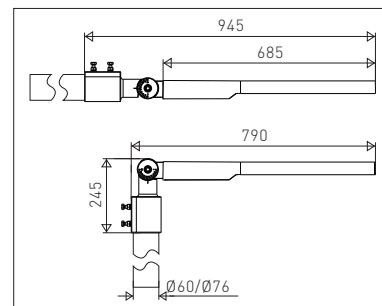
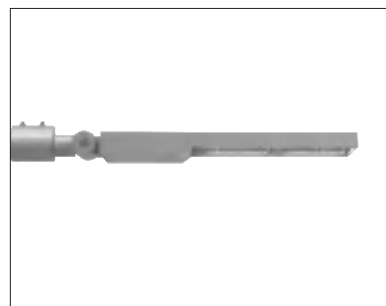
Model	Power (W)	CRI	CCT (K)	LED QTY(pcs) -120lm/w	LED QTY(pcs) -130lm/w	LED QTY(pcs) -140lm/w	LED QTY(pcs) -150lm/w	Weight (kg)
R.3208E.10.0125.0XX.XX.02	125	70	2700	/	/	/	/	9.1
		70	3000	/	/	/	100	9.1
		70	4000/5000	/	/	/	/	9.1
R.3208E.10.0150.0XX.XX.02	150	70	2700	/	60	96	/	9.1
		70	3000	/	/	72	120	9.1
		70	4000/5000	/	/	/	84	9.1

Remark : ".0XX." for light distribution Type2/Type3/Type4/FN/PX, ".XX." for CCT 2700K/3000K/4000K/5000K, example light distribution Type2、 CCT 3000K, then full name is "R.3208E.10.0150.0T2.W3.02".

AC90V~305V 50/60Hz 3030(16 in 1/24 in 1) IP66 (light distribution : Type2/Type3/Type4/FN/PX)

Model	Power (W)	CRI	CCT (K)	LED QTY(pcs) -120lm/w	LED QTY(pcs) -130lm/w	LED QTY(pcs) -140lm/w	LED QTY(pcs) -150lm/w	Weight (kg)
R.3208G.10.0125.0XX.XX.02	125	80	2700	240	/	/	/	9.1
		70	3000	/	/	/	/	9.1
		70	4000/5000	/	/	/	/	9.1
R.3208G.10.0150.0XX.XX.02	150	80	2700	240	/	/	/	9.1
		70	3000	180	264	/	/	9.1
		70	4000/5000	144	180	264	/	9.1

Remark : ".0XX." for light distribution Type2/Type3/Type4/FN/PX, ".XX." for CCT 2700K/3000K/4000K/5000K, example light distribution Type2、 CCT 3000K, then full name is "R.3208G.10.0150.0T2.W3.02".



AC90V-305V 50/60Hz 5050(8 in 1) IP66 (light distribution : Type2/Type3/Type4/FN/PX)

Model	Power (W)	CRI	CCT (K)	LED QTY(pcs) -120lm/w	LED QTY(pcs) -130lm/w	LED QTY(pcs) -140lm/w	LED QTY(pcs) -150lm/w	Weight (kg)
R.3208E.10.0180.0XX.XX.02	180	70	2700	/	72	120	/	11
		70	3000	/	/	88	144	11
		70	4000/5000	/	/	/	100	11
R.3208E.10.0200.0XX.XX.02	200	70	2700	/	88	132	/	11
		70	3000	/	/	108	/	11
		70	4000/5000	/	/	/	108	11

Remark : ".0XX." for light distribution Type2/Type3/Type4/FN/PX, ".XX." for CCT 2700K/3000K/4000K/5000K, example light distribution Type2、CCT 3000K, then full name is "R.3208E.10.0200.0T2.W3.02".

AC90V-305V 50/60Hz 3030(16 in 1/24 in1) IP66 (light distribution : Type2/Type3/Type4/FN/PX)

Model	Power (W)	CRI	CCT (K)	LED QTY(pcs) -120lm/w	LED QTY(pcs) -130lm/w	LED QTY(pcs) -140lm/w	LED QTY(pcs) -150lm/w	Weight (kg)
R.3208G.10.0150.0XX.XX.02	150	80	2700	/	/	/	/	11
		70	3000	/	264	/	/	11
		70	4000/5000	/	/	264	/	11
R.3208G.10.0180.0XX.XX.02	180	80	2700	288	/	/	/	11
		70	3000	192	288	/	/	11
		70	4000/5000	180	216	264	/	11
R.3208G.10.0200.0XX.XX.02	200	80	2700	288	/	/	/	11
		70	3000	240	288	/	/	11
		70	4000/5000	192	228	/	/	11

Remark : ".0XX." for light distribution Type2/Type3/Type4/FN/PX, ".XX." for CCT 2700K/3000K/4000K/5000K, example light distribution Type2、CCT 3000K, then full name is "R.3208G.10.0200.0T2.W3.02".



LED FLOOD LIGHT

LED Flood Light

HEBE F.39 SERIES

HEBE F.39 series Flood Light has 4 different specification from small to large ,which adopts new conceptdesign and hidden screw design. Surface is concise ,clean and simple that brings new visual impact to users;integrated dual-cavity design for both power supply and light source components are not only for easy toreplace but also the heat inside will not interfere each other ,meanwhile , the sealing performance is ,whichcan prolong the lifespan ;The wide open thermal structure design has significant heat dissipation effect andthe fish-fin design framework will prevent the dust leaves and rainwater accumulating ,furthermore therainwater can be drained from any direction smoothly.



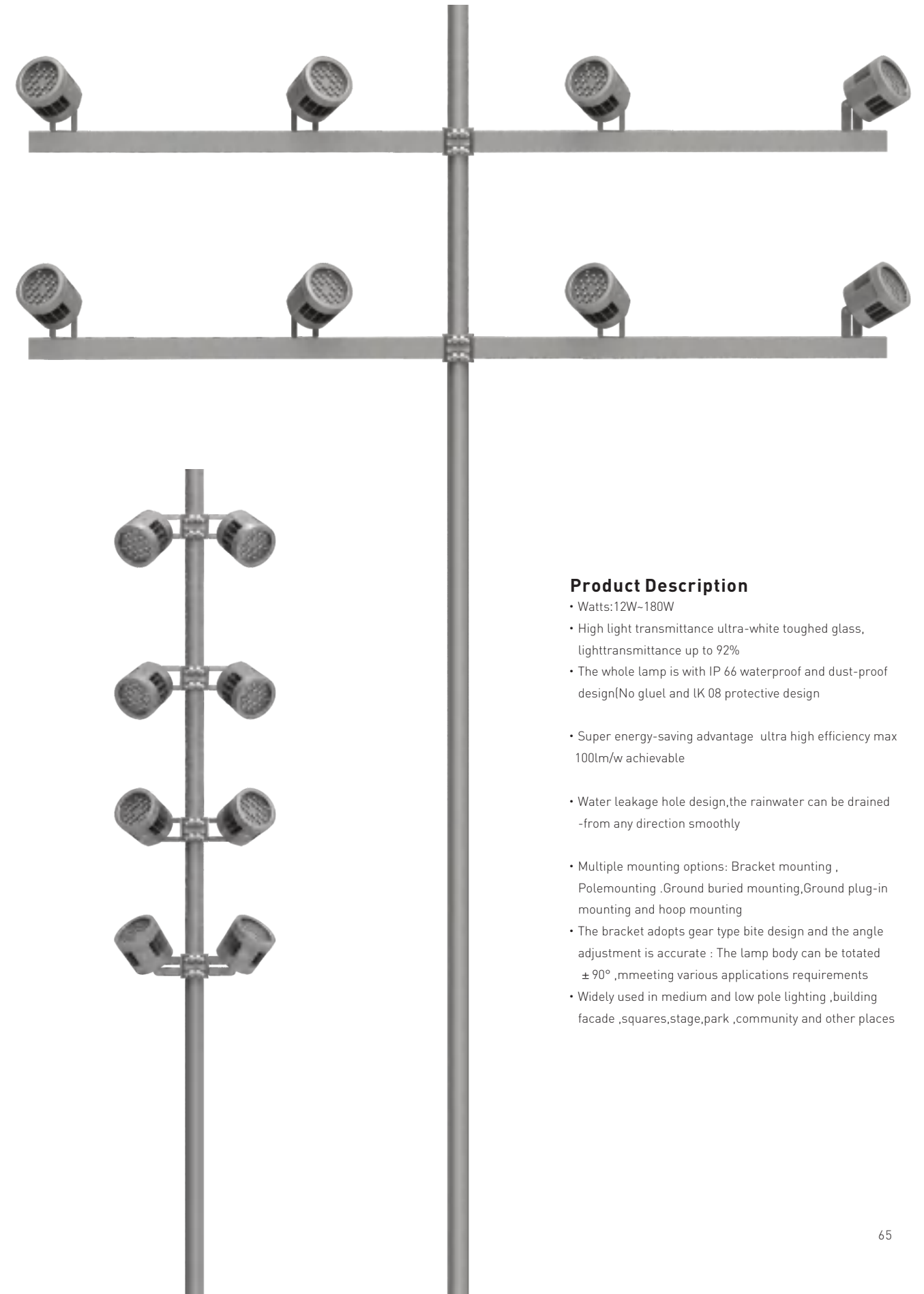
Common



Angled Glare Shield

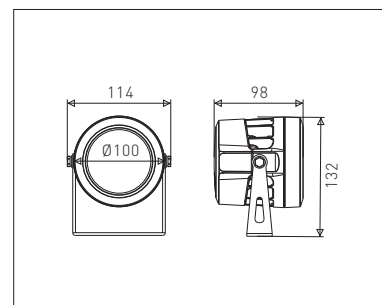
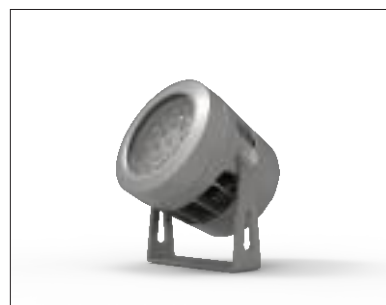


Honeycomb Glare Sheet



Product Description

- Watts:12W-180W
- High light transmittance ultra-white toughed glass, lighttransmittance up to 92%
- The whole lamp is with IP 66 waterproof and dust-proof design(No glue and IK 08 protective design)
- Super energy-saving advantage ultra high efficiency max 100lm/w achievable
- Water leakage hole design,the rainwater can be drained -from any direction smoothly
- Multiple mounting options: Bracket mounting , Polemounting .Ground buried mounting,Ground plug-in mounting and hoop mounting
- The bracket adopts gear type bite design and the angle adjustment is accurate : The lamp body can be totated $\pm 90^\circ$,mmeeting various applications requirements
- Widely used in medium and low pole lighting ,building facade ,squares,stage,park ,community and other places



DC24V 3030 CRI 70 IP66 (Single Color on/off)

Model	LED QTY (pcs)	Power (w)	Luminous Flux (lm) -3000K	Luminous Flux (lm) -4000K	Luminous Flux (lm) -5000K	Beam Angle	Weight (kg)
F.391B.10.0012.015.XX.01	12	12	936	1158	1224	15°	0.8
F.391B.10.0012.024.XX.01	12	12	1018	1146	1211	24°	0.8
F.391B.10.0012.036.XX.01	12	12	903	1117	1181	36°	0.8
F.391B.10.0018.015.XX.01	18	18	1405	1738	1836	15°	0.8
F.391B.10.0018.024.XX.01	18	18	1528	1719	1817	24°	0.8
F.391B.10.0018.036.XX.01	18	18	1355	1676	1772	36°	0.8
F.391B.10.0024.015.XX.01	24	24	1873	2317	2448	15°	0.8
F.391B.10.0024.024.XX.01	24	24	2037	2292	2423	24°	0.8
F.391B.10.0024.036.XX.01	24	24	1806	2234	2363	36°	0.8

Remark: "xx" for CCT 3000K/4000K/5000K, example 3000k, then full name is "F.391B.10.0012.036.W3.02".

AC176~265V 50/60Hz 3030 CRI 70 IP66 (Single Color on/off)

Model	LED QTY (pcs)	Power (w)	Luminous Flux (lm) -3000K	Luminous Flux (lm) -4000K	Luminous Flux (lm) -5000K	Beam Angle	Weight (kg)
F.391B.10.0012.015.XX.02	12	12	936	1158	1224	15°	0.8
F.391B.10.0012.024.XX.02	12	12	1018	1146	1211	24°	0.8
F.391B.10.0012.036.XX.02	12	12	903	1117	1181	36°	0.8
F.391B.10.0018.015.XX.02	18	18	1405	1738	1836	15°	0.8
F.391B.10.0018.024.XX.02	18	18	1528	1719	1817	24°	0.8
F.391B.10.0018.036.XX.02	18	18	1355	1676	1772	36°	0.8
F.391B.10.0024.015.XX.02	24	24	1873	2317	2448	15°	0.8
F.391B.10.0024.024.XX.02	24	24	2037	2292	2423	24°	0.8
F.391B.10.0024.036.XX.02	24	24	1806	2234	2363	36°	0.8

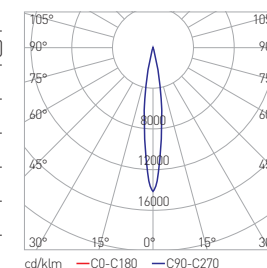
Remark: "xx" for CCT 3000K/4000K/5000K, example 3000k, then full name is "F.391B.10.0024.036.W3.02".

DC24V 3030 CRI 70 IP66 (RGB/RGBW)

Model	LED QTY (pcs)	Power (w)	Colour	Luminous Flux (lm)	Beam Angle	Weight (kg)
F.391B.10.0012.015.RGB.01-D	12	12	RGB	256	15°	0.8
F.391B.10.0012.015.RGBW.01-D	12	12	RGBW	378	15°	0.8
F.391B.10.0012.024.RGB.01-D	12	12	RGB	443	24°	0.8
F.391B.10.0012.024.RGBW.01-D	12	12	RGBW	653	24°	0.8
F.391B.10.0012.036.RGB.01-D	12	12	RGB	433	36°	0.8
F.391B.10.0012.036.RGBW.01-D	12	12	RGBW	639	36°	0.8
F.391B.10.0018.015.RGB.01-D	18	18	RGB	385	15°	0.8
F.391B.10.0018.024.RGB.01-D	18	18	RGB	663	24°	0.8
F.391B.10.0018.036.RGB.01-D	18	18	RGB	650	36°	0.8
F.391B.10.0024.015.RGB.01-D	24	24	RGB	513	15°	0.8
F.391B.10.0024.015.RGBW.01-D	24	24	RGBW	756	15°	0.8
F.391B.10.0024.024.RGB.01-D	24	24	RGB	885	24°	0.8
F.391B.10.0024.024.RGBW.01-D	24	24	RGBW	1305	24°	0.8
F.391B.10.0024.036.RGB.01-D	24	24	RGB	867	36°	0.8
F.391B.10.0024.036.RGBW.01-D	24	24	RGBW	1278	36°	0.8

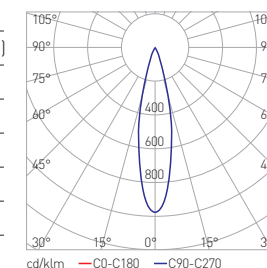
F.391B.10.0018.015.W4.02

H(m)	D(m)	Eav(lx)	Ecen(lx)
2.0	0.70	2293	3197
4.0	1.39	573	799
6.0	2.08	254	355
8.0	2.78	143	200
10.0	3.47	92	128
12.0	4.17	63	88



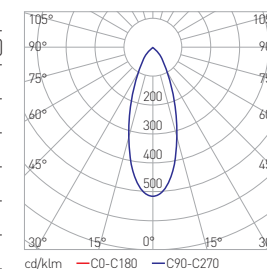
F.391B.10.0018.024.W4.02

H(m)	D(m)	Eav(lx)	Ecen(lx)
2.0	0.81	1632	2310
4.0	1.60	408	577
6.0	2.40	181	256
8.0	3.20	102	144
10.0	4.00	66	92
12.0	4.90	46	64

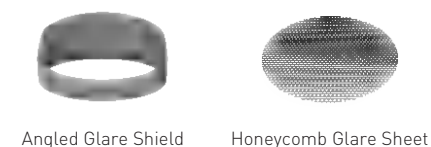


F.391B.10.0018.036.W4.02

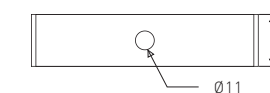
H(m)	D(m)	Eav(lx)	Ecen(lx)
2.0	1.38	612	861
4.0	2.77	153	215
6.0	4.15	68	82
8.0	5.54	39	53
10.0	6.92	25	35
12.0	8.31	17	24

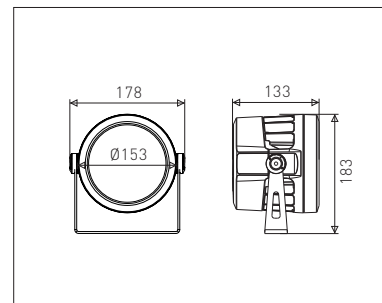


Accessories (Sold Separately) :



Mounting hole:





DC24V 3535 CRI 70 IP66 (Single Color on/off)

Model	LED QTY (pcs)	Power (w)	Luminous Flux (lm) -3000K	Luminous Flux (lm) -4000K	Luminous Flux (lm) -5000K	Beam Angle	Weight (kg)
F.392A.10.0015.003.XX.01	6	15	1212	1499	1584	3.5°	2.0
F.392A.10.0036.006.XX.01	6	36	3879	4798	5070	6.5°	2.0
F.392A.10.0036.010.XX.01	18	36	2265	2802	2961	10°	2.0
F.392A.10.0036.015.XX.01	18	36	1612	1994	2107	15°	2.0
F.392A.10.0036.025.XX.01	18	36	2236	2765	2922	25°	2.0
F.392A.10.0036.040.XX.01	18	36	1907	2359	2493	40°	2.0
F.392A.10.0036.060.XX.01	18	36	2367	2927	3093	60°	2.0
F.392A.10.0048.010.XX.01	18	48	3021	3736	3948	10°	2.0
F.392A.10.0048.015.XX.01	18	48	2149	2658	2809	15°	2.0
F.392A.10.0048.025.XX.01	18	48	2980	3686	3895	25°	2.0
F.392A.10.0048.040.XX.01	18	48	2543	3145	3323	40°	2.0
F.392A.10.0048.060.XX.01	18	48	3156	3903	4124	60°	2.0

Remark: "xx" for CCT 3000K/4000K/5000K, example 3000k, then full name is "F.392A.10.0048.060.W3.01"

AC176~265V 50/60Hz 3535 CRI 70 IP66 (Single Color on/off)

Model	LED QTY (pcs)	Power (w)	Luminous Flux (lm) -3000K	Luminous Flux (lm) -4000K	Luminous Flux (lm) -5000K	Beam Angle	Weight (kg)
F.392A.10.0036.006.XX.02	6	36	3879	4798	5070	6.5°	2.0
F.392A.10.0036.010.XX.02	18	36	2265	2802	2961	10°	2.0
F.392A.10.0036.015.XX.02	18	36	1612	1994	2107	15°	2.0
F.392A.10.0036.025.XX.02	18	36	2236	2765	2922	25°	2.0
F.392A.10.0036.040.XX.02	18	36	1907	2359	2493	40°	2.0
F.392A.10.0036.060.XX.02	18	36	2367	2927	3093	60°	2.0

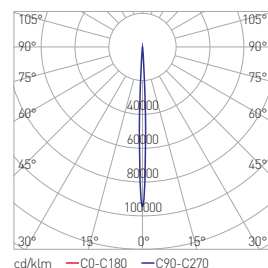
Remark: "xx" for CCT 3000K/4000K/5000K, example 3000k, then full name is "F.392A.10.0036.060.W3.02"

DC24V 3535 CRI 70 IP66 (RGB)

Model	LED QTY (pcs)	Power (w)	Colour	Luminous Flux (lm)	Beam Angle	Weight (kg)
F.392A.10.0036.010.RGB.01-D	18	36	RGB	1091	10°	2.0
F.392A.10.0036.015.RGB.01-D	18	36	RGB	769	15°	2.0
F.392A.10.0036.025.RGB.01-D	18	36	RGB	1077	25°	2.0
F.392A.10.0036.040.RGB.01-D	18	36	RGB	1328	40°	2.0
F.392A.10.0036.060.RGB.01-D	18	36	RGB	1133	60°	2.0
F.392A.10.0048.010.RGB.01-D	18	48	RGB	1454	10°	2.0
F.392A.10.0048.015.RGB.01-D	18	48	RGB	1026	15°	2.0
F.392A.10.0048.025.RGB.01-D	18	48	RGB	1436	25°	2.0
F.392A.10.0048.040.RGB.01-D	18	48	RGB	1771	40°	2.0
F.392A.10.0048.060.RGB.01-D	18	48	RGB	1511	60°	2.0

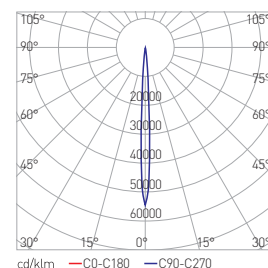
F.392A.10.0015.003.W4.02

H(m)	D(m)	Eav(lx)	Ecen(lx)
2.0	0.11	18781	20660
4.0	0.23	4692	5162
6.0	0.35	2086	2295
8.0	0.47	1172	1289
10.0	0.58	750	825
12.0	0.94	554	571



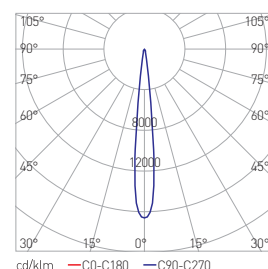
F.392A.10.0036.006.W4.02

H(m)	D(m)	Eav(lx)	Ecen(lx)
2.0	0.19	36059	39667
4.0	0.40	9009	9910
6.0	0.60	4005	4406
8.0	0.80	2250	2475
10.0	1.00	1440	1584
12.0	1.20	997	1096



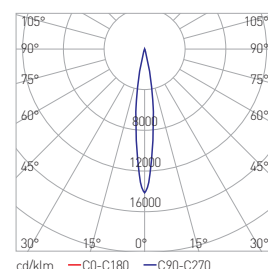
F.392A.10.0048.010.W4.02

H(m)	D(m)	Eav(lx)	Ecen(lx)
2.0	0.31	9618	12325
4.0	0.63	2405	3082
6.0	0.94	1069	1369
8.0	1.26	601	770
10.0	1.57	384	493
12.0	1.89	267	343



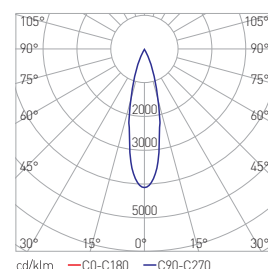
F.392A.10.0048.015.W4.02

H(m)	D(m)	Eav(lx)	Ecen(lx)
2.0	0.35	4792	8780
4.0	0.70	2700	3772
6.0	1.10	1200	1640
8.0	1.40	672	924
10.0	1.80	432	598
12.0	2.10	300	410



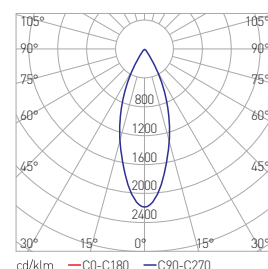
F.392A.10.0048.025.W4.02

H(m)	D(m)	Eav(lx)	Ecen(lx)
2.0	0.72	3684	5232
4.0	1.44	920	1308
6.0	2.15	408	580
8.0	2.87	230	186
10.0	3.59	148	208
12.0	4.31	104	144



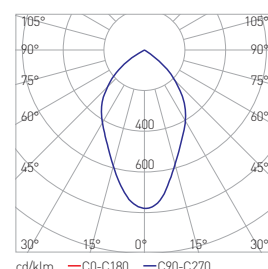
F.392A.10.0048.040.W4.02

H(m)	D(m)	Eav(lx)	Ecen(lx)
2.0	1.38	1469	2069
4.0	2.76	367	517
6.0	4.15	163	229
8.0	5.54	91	130
10.0	7.13	59	83
12.0	8.31	41	58



F.392A.10.0048.060.W4.02

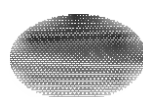
H(m)	D(m)	Eav(lx)	Ecen(lx)
2.0	2.03	518	955
4.0	4.07	129	238
6.0	6.11	58	106
8.0	8.14	33	60
10.0	10.17	21	38
12.0	12.22	15	26



Accessories (Sold Separately) :

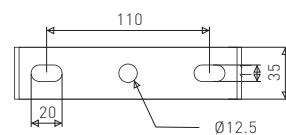


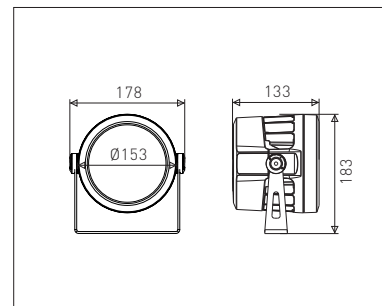
Angled Glare Shield



Honeycomb Glare Sheet

Mounting hole:





DC24V 3030 CRI 70 IP66 (Single Color on/off)

Model	LED QTY (pcs)	Power (w)	Luminous Flux (lm) -3000K	Luminous Flux (lm) -4000K	Luminous Flux (lm) -5000K	Beam Angle	Weight (kg)
F.392B.10.0036.015.XX.01	36	36	2810	3475	3672	15°	2.0
F.392B.10.0036.024.XX.01	36	36	3055	3438	3633	24°	2.0
F.392B.10.0036.036.XX.01	36	36	2710	3352	3542	36°	2.0

Remark: "xx" for CCT 3000K/4000K/5000K, example 3000k, then full name is "F.392B.10.0036.036.W3.01"

AC176~265V 50/60Hz 3030 CRI 70 IP66 (Single Color on/off)

Model	LED QTY (pcs)	Power (w)	Luminous Flux (lm) -3000K	Luminous Flux (lm) -4000K	Luminous Flux (lm) -5000K	Beam Angle	Weight (kg)
F.392B.10.0036.015.XX.02	36	36	2810	3475	3672	15°	2.0
F.392B.10.0036.024.XX.02	36	36	3055	3438	3633	24°	2.0
F.392B.10.0036.036.XX.02	36	36	2710	3352	3542	36°	2.0

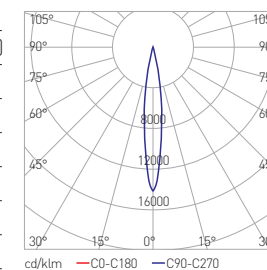
Remark: "xx" for CCT 3000K/4000K/5000K, example 3000k, then full name is "F.392B.10.0036.036.W3.02"

DC24V 3030 CRI 70 IP66 (RGB/RGBW)

Model	LED QTY (pcs)	Power (w)	Colour	Luminous Flux (lm)	Beam Angle	Weight (kg)
F.392B.10.0036.015.RGB.01-D	36	36	RGB	769	15°	2.0
F.392B.10.0036.015.RGBW.01-D	36	36	RGBW	1134	15°	2.0
F.392B.10.0036.024.RGB.01-D	36	36	RGB	1091	24°	2.0
F.392B.10.0036.024.RGBW.01-D	36	36	RGBW	1608	24°	2.0
F.392B.10.0036.036.RGB.01-D	36	36	RGB	1300	36°	2.0
F.392B.10.0036.036.RGBW.01-D	36	36	RGBW	1917	36°	2.0

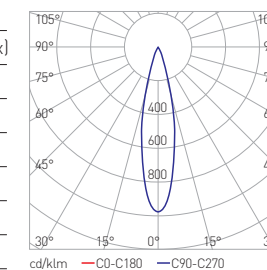
F.392B.10.0036.015.W4.02

H(m)	D(m)	Eav(lx)	Ecen(lx)
2.0	0.70	4585	6394
4.0	1.39	1146	1599
6.0	2.08	509	710
8.0	2.78	286	400
10.0	3.47	183	256
12.0	4.17	127	177



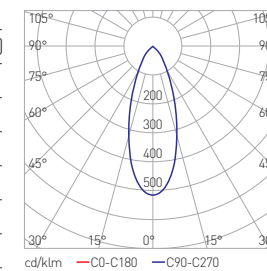
F.392B.10.0036.024.W4.02

H(m)	D(m)	Eav(lx)	Ecen(lx)
2.0	0.81	3265	4619
4.0	1.60	816	1154
6.0	2.40	363	513
8.0	3.20	204	288
10.0	4.00	131	184
12.0	4.90	91	128

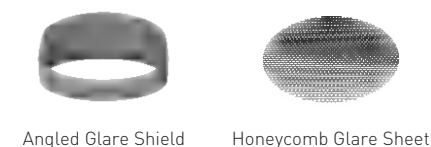


F.392B.10.0036.036.W4.02

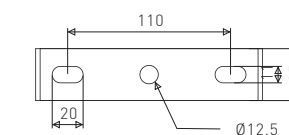
H(m)	D(m)	Eav(lx)	Ecen(lx)
2.0	1.38	1224	1723
4.0	2.77	306	430
6.0	4.15	136	191
8.0	5.54	77	107
10.0	6.92	49	70
12.0	8.31	34	48

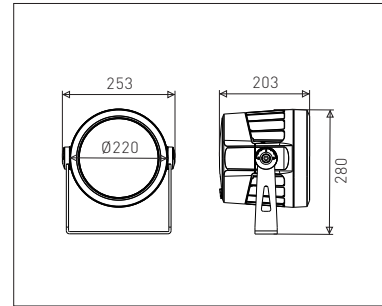
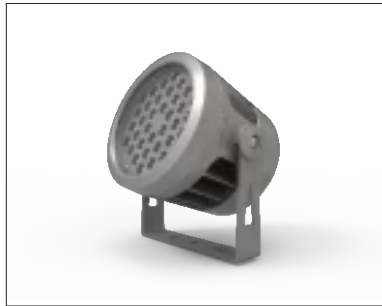


Accessories (Sold Separately) :



Mounting hole:





AC176V~265V 50/60Hz 3535 CRI 70 IP66 (Single Color on/off)

Model	LED QTY (pcs)	Power (w)	Luminous Flux (lm) -3000K	Luminous Flux (lm) -4000K	Luminous Flux (lm) -5000K	Beam Angle	Weight (kg)
F.393A.10.0040.003.XX.02	18	40	3232	3998	4225	3.5°	6.0
F.393A.10.0080.006.XX.02	18	80	6465	7996	8450	6.5°	6.0
F.393A.10.0068.010.XX.02	30	68	4279	5292	5592	10°	6.0
F.393A.10.0068.015.XX.02	30	68	3045	3766	3980	15°	6.0
F.393A.10.0068.025.XX.02	30	68	4222	5222	5518	25°	6.0
F.393A.10.0068.040.XX.02	30	68	3603	4456	4709	40°	6.0
F.393A.10.0068.060.XX.02	30	68	4471	5530	5844	60°	6.0
F.393A.10.0080.010.XX.02	36	80	5034	6226	6579	10°	6.0
F.393A.10.0080.015.XX.02	36	80	3582	4430	4681	15°	6.0
F.393A.10.0080.025.XX.02	36	80	4967	6143	6492	25°	6.0
F.393A.10.0080.040.XX.02	36	80	4238	5242	5539	40°	6.0
F.393A.10.0080.060.XX.02	36	80	5260	6506	6875	60°	6.0

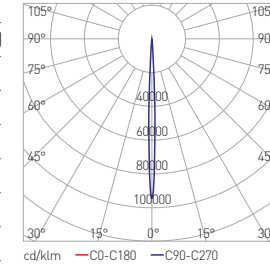
Remark: "xx" for CCT 3000K/4000K/5000K, example 3000k, then full name is "F.393A.10.0080.060.W3.02"

AC176V~265V 50/60Hz 3535 CRI 70 IP66 (RGB/RGBW)

Model	LED QTY (pcs)	Power (w)	Colour	Luminous Flux (lm)	Beam Angle	Weight (kg)
F.393A.10.0045.006.RGB.02-D	18	45	RGB	1748	6.5°	6.0
F.393A.10.0068.010.RGB.02-D	30	68	RGB	2060	10°	6.0
F.393A.10.0068.015.RGB.02-D	30	68	RGB	1453	15°	6.0
F.393A.10.0068.025.RGB.02-D	30	68	RGB	2034	25°	6.0
F.393A.10.0068.040.RGB.02-D	30	68	RGB	2509	40°	6.0
F.393A.10.0068.060.RGB.02-D	30	68	RGB	2140	60°	6.0
F.393A.10.0080.010.RGB.02-D	36	80	RGB	2424	10°	6.0
F.393A.10.0080.010.RGBW.02-D	36	80	RGBW	3572	10°	6.0
F.393A.10.0080.015.RGB.02-D	36	80	RGB	1710	15°	6.0
F.393A.10.0080.015.RGBW.02-D	36	80	RGBW	2519	15°	6.0
F.393A.10.0080.025.RGB.02-D	36	80	RGB	2393	25°	6.0
F.393A.10.0080.025.RGBW.02-D	36	80	RGBW	3526	25°	6.0
F.393A.10.0080.040.RGB.02-D	36	80	RGB	2951	40°	6.0
F.393A.10.0080.040.RGBW.02-D	36	80	RGBW	3022	40°	6.0
F.393A.10.0080.060.RGB.02-D	36	80	RGB	2518	60°	6.0
F.393A.10.0080.060.RGBW.02-D	36	80	RGBW	3709	60°	6.0

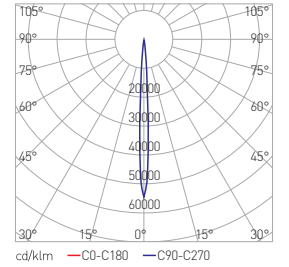
F.393A.10.0040.003.W4.02

H(m)	D(m)	Eav(lx)	Ecen(lx)
8.0	0.47	6604	6556
16.0	0.94	1651	1639
24.0	1.40	734	729
32.0	1.87	413	410
40.0	2.34	264	210
48.0	2.81	184	183



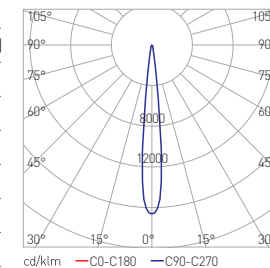
F.393A.10.0080.006.W4.02

H(m)	D(m)	Eav(lx)	Ecen(lx)
8.0	0.78	5283	5245
16.0	1.56	1321	1311
24.0	2.34	587	583
32.0	3.12	330	328
40.0	3.90	211	210
48.0	4.68	147	146



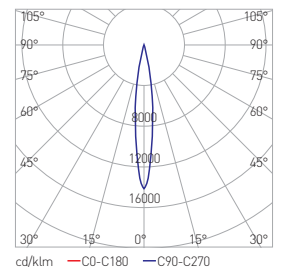
F.393A.10.0080.010.W4.02

H(m)	D(m)	Eav(lx)	Ecen(lx)
4.0	0.63	3937	5046
8.0	1.26	984	1262
12.0	1.89	437	561
16.0	2.52	246	315
20.0	3.15	157	202
24.0	3.78	109	140



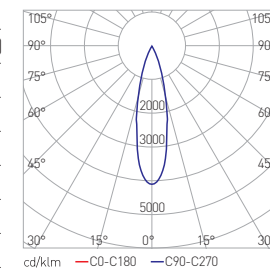
F.393A.10.0080.015.W4.02

H(m)	D(m)	Eav(lx)	Ecen(lx)
4.0	0.9	2815	3951
8.0	1.8	704	988
12.0	2.7	313	439
16.0	3.6	176	247
20.0	4.5	113	158
24.0	5.4	78	110



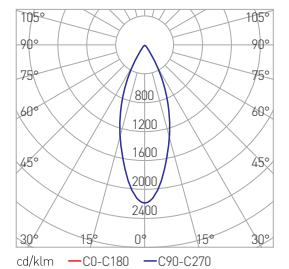
F.393A.10.0080.025.W4.02

H(m)	D(m)	Eav(lx)	Ecen(lx)
4.0	1.7	849	1164
8.0	3.4	212	291
12.0	5.1	94	129
16.0	6.8	53	73
20.0	8.5	34	47
24.0	10.2	24	32



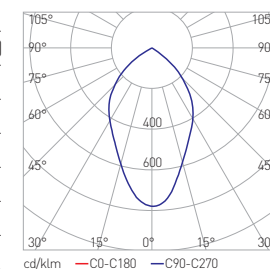
F.393A.10.0080.040.W4.02

H(m)	D(m)	Eav(lx)	Ecen(lx)
4.0	2.14	700	1027
8.0	4.28	175	257
12.0	6.42	78	114
16.0	8.56	44	64
20.0	10.70	28	41
24.0	12.84	19	29

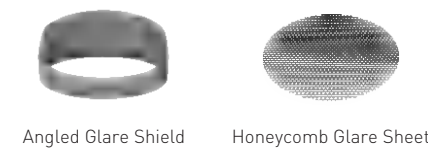


F.393A.10.0080.060.W4.02

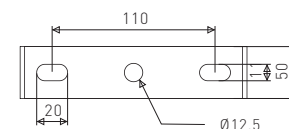
H(m)	D(m)	Eav(lx)	Ecen(lx)
4.0	4.08	244	450
8.0	8.16	61	113
12.0	12.24	27	50
16.0	14.28	20	37
20.0	20.40	10	18
24.0	24.48	7	13

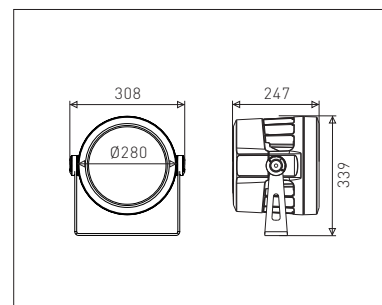


Accessories (Sold Separately) :



Mounting hole:





AC176V~265V 50/60Hz 3535 CRI 70 IP66 (Single Color on/off)

Model	LED QTY (pcs)	Power (w)	Luminous Flux (lm) -3000K	Luminous Flux (lm) -4000K	Luminous Flux (lm) -5000K	Beam Angle	Weight (kg)
F.394A.10.0068.003.XX.02	30	68	4396	5433	5746	3.5°	10.2
F.394A.10.0150.006.XX.02	30	150	12122	14993	15844	6.5°	10.2
F.394A.10.0100.010.XX.02	40	100	6293	7783	8225	10°	10.2
F.394A.10.0100.015.XX.02	40	100	4478	5538	5852	15°	10.2
F.394A.10.0100.025.XX.02	40	100	6209	7679	8115	25°	10.2
F.394A.10.0100.040.XX.02	40	100	5298	6553	6925	40°	10.2
F.394A.10.0100.060.XX.02	40	100	6575	8132	8593	60°	10.2
F.394A.10.0120.010.XX.02	48	120	7551	9339	9869	10°	10.2
F.394A.10.0120.015.XX.02	48	120	5373	6646	7023	15°	10.2
F.394A.10.0120.025.XX.02	48	120	7450	9215	9738	25°	10.2
F.394A.10.0120.040.XX.02	48	120	6357	7863	8309	40°	10.2
F.394A.10.0120.060.XX.02	48	120	7889	9758	10312	60°	10.2
F.394A.10.0150.010.XX.02	60	150	9439	11674	12336	10°	10.2
F.394A.10.0150.015.XX.02	60	150	6716	8307	8778	15°	10.2
F.394A.10.0150.025.XX.02	60	150	9313	11519	12173	25°	10.2
F.394A.10.0150.040.XX.02	60	150	7947	9829	10387	40°	10.2
F.394A.10.0150.060.XX.02	60	150	9862	12198	12890	60°	10.2
F.394A.10.0180.010.XX.02	72	180	11326	14009	14804	10°	10.2
F.394A.10.0180.015.XX.02	72	180	8060	9969	10535	15°	10.2
F.394A.10.0180.025.XX.02	72	180	11176	13823	14607	25°	10.2
F.394A.10.0180.040.XX.02	72	180	9536	11795	12464	40°	10.2
F.394A.10.0180.060.XX.02	72	180	11834	14637	15467	60°	10.2

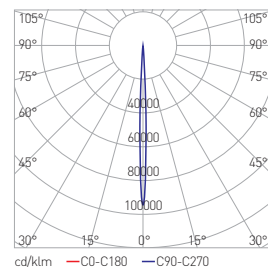
Remark: "xx" for CCT 3000K/4000K/5000K, example 3000k, then full name is "F.394A.10.0180.060.W3.02"

AC176V~265V 50/60Hz 3535 CRI 70 IP66 (RGB/RGBW)

Model	LED QTY (pcs)	Power (w)	Colour	Luminous Flux (lm)	Beam Angle	Weight (kg)
F.394A.10.0075.006.RGB.02-D	30	75	RGB	2913	6.5°	10.2
F.394A.10.0100.010.RGBW.02-D	40	100	RGBW	4464	10°	10.2
F.394A.10.0100.015.RGBW.02-D	40	100	RGBW	3148	15°	10.2
F.394A.10.0100.025.RGBW.02-D	40	100	RGBW	4407	25°	10.2
F.394A.10.0100.040.RGBW.02-D	40	100	RGBW	5437	40°	10.2
F.394A.10.0100.060.RGBW.02-D	40	100	RGBW	4636	60°	10.2
F.394A.10.0120.010.RGB.02-D	48	120	RGB	3635	10°	10.2
F.394A.10.0120.010.RGBW.02-D	48	120	RGBW	5358	10°	10.2
F.394A.10.0120.015.RGB.02-D	48	120	RGB	2565	15°	10.2
F.394A.10.0120.015.RGBW.02-D	48	120	RGBW	3778	15°	10.2
F.394A.10.0120.025.RGB.02-D	48	120	RGB	3589	25°	10.2
F.394A.10.0120.025.RGBW.02-D	48	120	RGBW	5289	25°	10.2
F.394A.10.0120.040.RGB.02-D	48	120	RGB	4427	40°	10.2
F.394A.10.0120.040.RGBW.02-D	48	120	RGBW	4533	40°	10.2
F.394A.10.0120.060.RGB.02-D	48	120	RGB	3777	60°	10.2
F.394A.10.0120.060.RGBW.02-D	48	120	RGBW	5564	60°	10.2
F.394A.10.0150.010.RGB.02-D	60	150	RGB	4544	10°	10.2
F.394A.10.0150.010.RGBW.02-D	60	150	RGBW	6697	10°	10.2
F.394A.10.0150.015.RGB.02-D	60	150	RGB	3206	15°	10.2
F.394A.10.0150.015.RGBW.02-D	60	150	RGBW	4722	15°	10.2
F.394A.10.0150.025.RGB.02-D	60	150	RGB	4486	25°	10.2
F.394A.10.0150.025.RGBW.02-D	60	150	RGBW	6611	25°	10.2
F.394A.10.0150.040.RGB.02-D	60	150	RGB	5534	40°	10.2
F.394A.10.0150.040.RGBW.02-D	60	150	RGBW	5667	40°	10.2
F.394A.10.0150.060.RGB.02-D	60	150	RGB	4721	60°	10.2
F.394A.10.0150.060.RGBW.02-D	60	150	RGBW	6954	60°	10.2
F.394A.10.0180.010.RGB.02-D	72	180	RGB	5453	10°	10.2
F.394A.10.0180.010.RGBW.02-D	72	180	RGBW	8036	10°	10.2
F.394A.10.0180.015.RGB.02-D	72	180	RGB	3847	15°	10.2
F.394A.10.0180.015.RGBW.02-D	72	180	RGBW	5666	15°	10.2
F.394A.10.0180.025.RGB.02-D	72	180	RGB	5383	25°	10.2
F.394A.10.0180.025.RGBW.02-D	72	180	RGBW	7933	25°	10.2
F.394A.10.0180.040.RGB.02-D	72	180	RGB	6640	40°	10.2
F.394A.10.0180.040.RGBW.02-D	72	180	RGBW	6800	40°	10.2
F.394A.10.0180.060.RGB.02-D	72	180	RGB	5665	60°	10.2
F.394A.10.0180.060.RGBW.02-D	72	180	RGBW	8345	60°	10.2

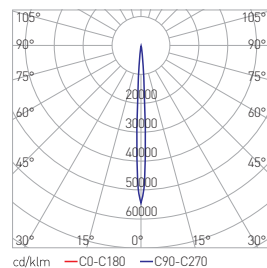
F.394A.10.0068.003.W4.02

H(m)	D(m)	Eav(lx)	Ecen(lx)
8.0	0.47	5332	5866
16.0	0.94	1471	1476
24.0	1.40	657	659
32.0	1.87	369	371
40.0	2.34	236	237
48.0	2.81	164	165



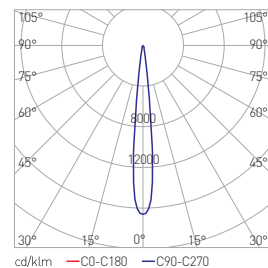
F.394A.10.0150.006.W4.02

H(m)	D(m)	Eav(lx)	Ecen(lx)
8.0	0.78	9906	9836
16.0	1.56	2477	2459
24.0	2.34	1101	1094
32.0	3.12	620	615
40.0	3.90	396	393
48.0	4.68	275	273



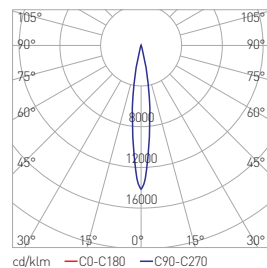
F.394A.10.0100.010.W4.02

H(m)	D(m)	Eav(lx)	Ecen(lx)
4.0	0.63	4921	6307
8.0	1.26	1230	1577
12.0	1.89	547	701
16.0	2.52	308	394
20.0	3.15	197	252
24.0	3.78	137	175



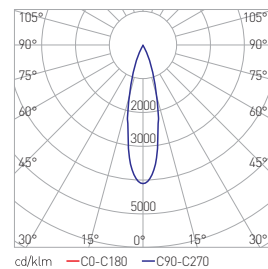
F.394A.10.0100.015.W4.02

H(m)	D(m)	Eav(lx)	Ecen(lx)
4.0	0.9	3518	4939
8.0	1.8	880	1235
12.0	2.7	391	549
16.0	3.6	220	309
20.0	4.5	141	198
24.0	5.4	98	137



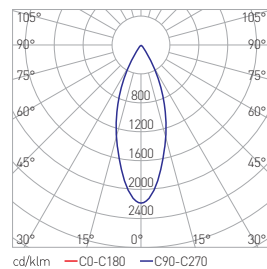
F.394A.10.0100.025.W4.02

H(m)	D(m)	Eav(lx)	Ecen(lx)
4.0	1.7	1061	1454
8.0	3.4	265	364
12.0	5.1	118	162
16.0	6.8	66	91
20.0	8.5	42	58
24.0	10.2	29	40



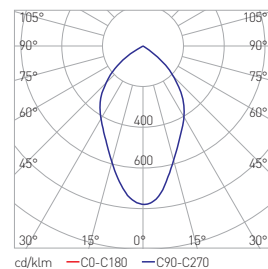
F.394A.10.0100.040.W4.02

H(m)	D(m)	Eav(lx)	Ecen(lx)
4.0	2.14	875	1284
8.0	4.28	219	321
12.0	6.42	97	143
16.0	8.56	55	80
20.0	10.70	35	51
24.0	12.84	24	36



F.394A.10.0100.060.W4.02

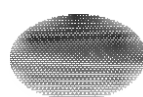
H(m)	D(m)	Eav(lx)	Ecen(lx)
4.0	4.08	305	563
8.0	8.16	76	141
12.0	12.24	34	63
16.0	16.32	19	35
20.0	20.40	12	23
24.0	24.48	8	16



Accessories (Sold Separately) :

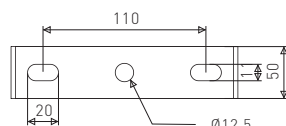


Angled Glare Shield



Honeycomb Glare Sheet

Mounting hole:



LED Flood Light

F.37 SERIES、F.367

F.378、F.379 and F.367, the entire lamp body is completed by integrated aluminum die-casting, with light source and power supply dual cavity, reduces the heat formation that overlaps with each other, which causing chip premature failure due to excessive temperature. Tempered glass for smooth surface protection, reducing environmental damage to optical and electronic components, effectively extending product lifespan. Body surface is smooth and clean, no protruding heat ribs or columns and concave structures, with self-cleaning function to avoid long term use of leaf stacking and other conditions which cause poor heat dissipation of lamp, resulting in product failure.



F.378



F.379



F.367

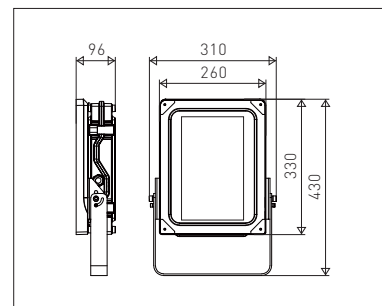
Product Description

- Watts:90W-420W
- Integrated die-casting of lamp body, tempered glass with smooth surface,providing comprehensive protection for optical and electronic components not affected by the environment;
- IP66 waterproof and dustproof structure sealing design
- IK09 anti-collision performance
- Vibration level: 3G
- Positive surge protection performance and over voltage, over temperature, over power,short circuit protection
- Unaided operation without tools

- Adjustable spigot for flexible response to various installation requirements

Components Choosable

- Vertical install transition sleeve
- Power off protector
- Optical controller
- Intelligent control interface and intelligent control accessories
- Falling prevention safety rope
- Single lamp single control
- Surge Protective Device



AC90V~305V 50/60Hz 3030(16 in 1) IP66 (Light distribution : 30°/60°/90°/Type2/Type3/FN)

Model	Power (W)	CRI	CCT (K)	LED QTY(pcs) -120lm/w	LED QTY(pcs) -130lm/w	LED QTY(pcs) -140lm/w	LED QTY(pcs) -150lm/w	Weight (kg)
F.378A.10.0090.OXX.XX.02	90	80	2700	192	/	/	/	5.3
		70	3000	108	176	/	/	5.3
		70	4000/5000	108	132	176	/	5.3
F.378A.10.0100.OXX.XX.02	100	80	2700	192	/	/	/	5.4
		70	3000	108	176	/	/	5.4
		70	4000/5000	108	132	176	/	5.4
F.378A.10.0120.OXX.XX.02	120	80	2700	240	/	/	/	5.6
		70	3000	144	192	/	/	5.6
		70	4000/5000	144	144	192	/	5.6
F.378A.10.0125.OXX.XX.02	125	80	2700	240	/	/	/	5.6
		70	3000	144	192	/	/	5.6
		70	4000/5000	144	144	192	/	5.6
F.378A.10.0150.OXX.XX.02	150	80	2700	/	/	/	/	5.6
		70	3000	176	240	/	/	5.6
		70	4000/5000	176	176	240	/	5.6
F.378A.10.0160.OXX.XX.02	160	80	2700	/	/	/	/	5.7
		70	3000	176	240	/	/	5.7
		70	4000/5000	176	176	240	/	5.7

Remark: ".OXX." for light distribution 30°/60°/90°/Type2/Type3/FN, ".XX." for CCT 2700K/3000K/4000K/5000K, example light distribution Type2、CCT 3000K, then full name is "F.378A.10.0160.OT2.W3.02".

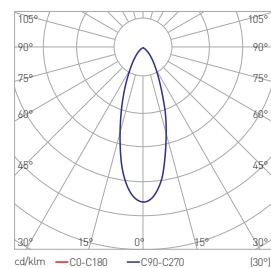
AC90V~305V 50/60Hz 5050(8 in 1) IP66 (Light distribution : 30°/60°/90°/Type2/Type3/FN)

Model	Power (W)	CRI	CCT (K)	LED QTY(pcs) -120lm/w	LED QTY(pcs) -130lm/w	LED QTY(pcs) -140lm/w	LED QTY(pcs) -150lm/w	Weight (kg)
F.378B.10.0090.OXX.XX.02	90	70	2700	/	50	80	/	5.3
		70	3000	/	/	60	96	5.3
		70	4000/5000	/	/	/	72	5.3
F.378B.10.0100.OXX.XX.02	100	70	2700	/	50	80	/	5.4
		70	3000	/	/	60	96	5.4
		70	4000/5000	/	/	/	72	5.4
F.378B.10.0120.OXX.XX.02	120	70	2700	/	50	86	/	5.6
		70	3000	/	/	60	100	5.6
		70	4000/5000	/	/	/	72	5.6
F.378B.10.0125.OXX.XX.02	125	70	2700	/	50	86	/	5.6
		70	3000	/	/	60	100	5.6
		70	4000/5000	/	/	/	72	5.6
F.378B.10.0150.OXX.XX.02	150	70	2700	40	60	96	/	5.6
		70	3000	/	/	72	118	5.6
		70	4000/5000	/	/	/	84	5.6
F.378B.10.0160.OXX.XX.02	160	70	2700	40	60	96	/	5.7
		70	3000	/	/	72	118	5.7
		70	4000/5000	/	/	/	84	5.7

Remark: ".OXX." for light distribution 30°/60°/90°/Type2/Type3/FN, ".XX." for CCT 2700K/3000K/4000K/5000K, example light distribution Type2、CCT 3000K, then full name is "F.378B.10.0050.OT2.W3.02".

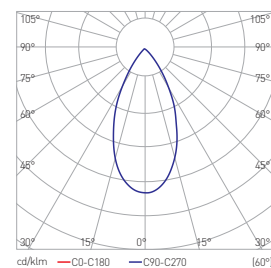
F.378.10.0200.030.W4

H(m)	D(m)	Eav(lx)	Ecen(lx)
4.0	2.1	1643	2602
8.0	4.2	412	657
12.0	6.3	183	292
16.0	8.4	103	164
20.0	10.5	66	105
24.0	12.6	46	73



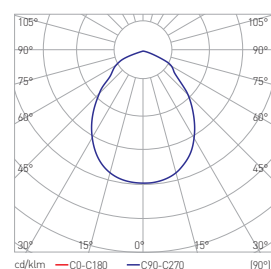
F.378.10.0200.060.W4

H(m)	D(m)	Eav(lx)	Ecen(lx)
4.0	4.6	610	1251
8.0	9.2	151	305
12.0	13.8	67	134
16.0	18.4	37	75
20.0	23	24	48
24.0	27.6	17	33

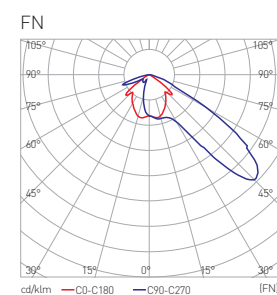
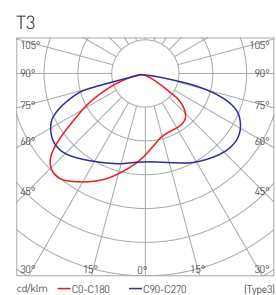
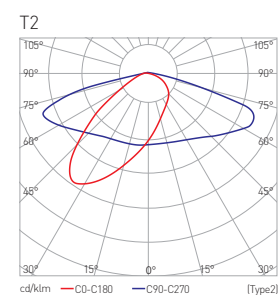


F.378.10.0200.090.W4

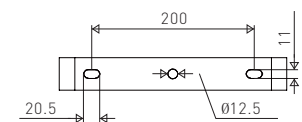
H(m)	D(m)	Eav(lx)	Ecen(lx)
4.0	4.0	1003	2808
8.0	8.0	246	670
12.0	12.0	109	293
16.0	16.0	61	163
20.0	20.0	39	104
24.0	24.0	27	72

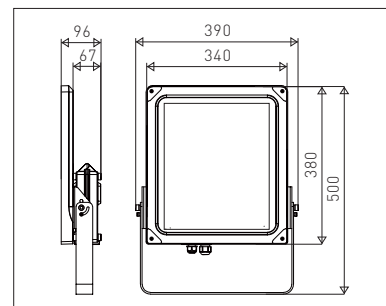


Other light distribution:



Mounting hole:





AC90V~305V 50/60Hz 3030(16 in 1) IP66 (Light distribution : 30°/60°/90°/Type2/Type3/FN)

Model	Power (W)	CRI	CCT (K)	LED QTY(pcs) -120lm/w	LED QTY(pcs) -130lm/w	LED QTY(pcs) -140lm/w	LED QTY(pcs) -150lm/w	Weight (kg)
F.379A.10.0180.OXX.XX.02	180	80	2700	320	/	/	/	7.0
		70	3000	192	320	400	/	7.0
		70	4000/5000	192	208	320	/	7.0
F.379A.10.0200.OXX.XX.02	200	80	2700	352	/	/	/	7.0
		70	3000	240	352	480	/	7.0
		70	4000/5000	240	240	352	/	7.0
F.379A.10.0225.OXX.XX.02	225	80	2700	400	/	/	/	7.0
		70	3000	240	400	/	/	7.0
		70	4000/5000	240	240	400	/	7.0
F.379A.10.0230.OXX.XX.02	230	80	2700	400	/	/	/	7.0
		70	3000	240	400	/	/	7.0
		70	4000/5000	240	240	400	/	7.0
F.379A.10.0240.OXX.XX.02	240	80	2700	440	/	/	/	7.0
		70	3000	256	400	/	/	7.0
		70	4000/5000	256	256	400	/	7.0
F.379A.10.0250.OXX.XX.02	250	80	2700	440	/	/	/	7.0
		70	3000	256	400	/	/	7.0
		70	4000/5000	256	256	400	/	7.0
F.379A.10.0275.OXX.XX.02	275	80	2700	480	/	/	/	8.1
		70	3000	320	440	/	/	8.1
		70	4000/5000	320	320	440	/	8.1
F.379A.10.0280.OXX.XX.02	280	80	2700	480	/	/	/	8.1
		70	3000	320	440	/	/	8.1
		70	4000/5000	320	320	440	/	8.1
F.379A.10.0300.OXX.XX.02	300	80	2700	480	/	/	/	8.1
		70	3000	400	480	/	/	8.1
		70	4000/5000	400	360	480	/	8.1

Remark: ".OXX." for light distribution 30°/60°/90°/Type2/Type3/FN, ".XX." for CCT 2700K/3000K/4000K/5000K, example light distribution Type2、CCT 3000K, then full name is "F.379A.10.0300.OT2.W3.02".

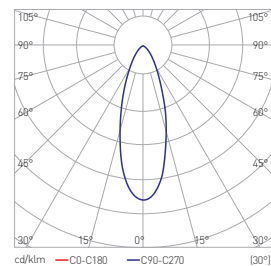
AC90V~305V 50/60Hz 5050(8 in 1) IP66 (Light distribution 可选配光 : 30°/60°/90°/Type2/Type3/FN)

Model	Power (W)	CRI	CCT (K)	LED QTY(pcs) -120lm/w	LED QTY(pcs) -130lm/w	LED QTY(pcs) -140lm/w	LED QTY(pcs) -150lm/w	Weight (kg)
F.379B.10.0180.OXX.XX.02	180	70	2700	/	72	118	/	7.0
		70	3000	/	/	/	142	7.0
		70	4000/5000	/	/	/	100	7.0
F.379B.10.0200.OXX.XX.02	200	70	2700	/	86	132	/	7.0
		70	3000	/	/	/	160	7.0
		70	4000/5000	/	/	/	126	7.0
F.379B.10.0225.OXX.XX.02	225	70	2700	/	92	142	/	7.0
		70	3000	/	/	108	172	7.0
		70	4000/5000	/	/	/	126	7.0
F.379B.10.0230.OXX.XX.02	230	70	2700	/	92	142	/	7.0
		70	3000	/	/	108	172	7.0
		70	4000/5000	/	/	/	126	7.0
F.379B.10.0240.OXX.XX.02	240	70	2700	/	100	160	/	7.0
		70	3000	/	/	118	186	7.0
		70	4000/5000	/	/	/	142	7.0
F.379B.10.0250.OXX.XX.02	250	70	2700	/	100	160	/	8.1
		70	3000	/	/	118	186	8.1
		70	4000/5000	/	/	/	142	8.1
F.379B.10.0275.OXX.XX.02	275	70	2700	/	108	172	/	8.1
		70	3000	/	/	132	216	8.1
		70	4000/5000	/	/	/	160	8.1
F.379B.10.0280.OXX.XX.02	280	70	2700	/	108	172	/	8.1
		70	3000	/	/	132	216	8.1
		70	4000/5000	/	/	/	160	8.1
F.379B.10.0300.OXX.XX.02	300	70	2700	/	126	192	/	8.1
		70	3000	/	/	160	240	8.1
		70	4000/5000	/	/	/	186	8.1

Remark: ".OXX." for light distribution 30°/60°/90°/Type2/Type3/FN, ".XX." for CCT 2700K/3000K/4000K/5000K, example light distribution Type2、CCT 3000K, then full name is "F.378B.10.0050.OT2.W3.02".

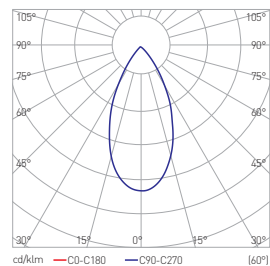
F.379.10.0300.030.W4

H(m)	D(m)	Eav(lx)	Ecen(lx)
4.0	5.3	393	631
8.0	10.5	99	158
12.0	15.5	44	70
16.0	21	25	39
20.0	26.5	16	25
24.0	31	11	18



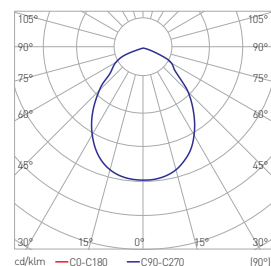
F.379.10.0300.060.W4

H(m)	D(m)	Eav(lx)	Ecen(lx)
4.0	5.8	578	1189
8.0	11.5	144	291
12.0	17.5	63	129
16.0	23	36	72
20.0	29	23	46
24.0	35	16	32



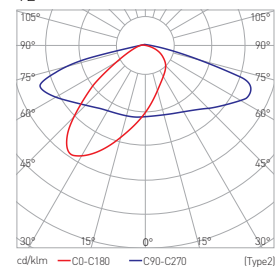
F.379.10.0300.090.W4

H(m)	D(m)	Eav(lx)	Ecen(lx)
4.0	8	369	1005
8.0	16	92	245
12.0	24	41	108
16.0	32	23	60
20.0	40	15	39
24.0	48	11	27

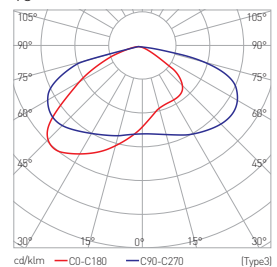


Other light distribution:

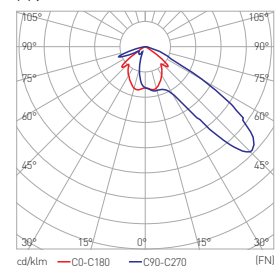
T2



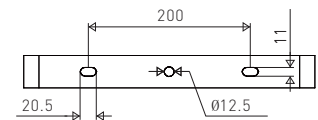
T3

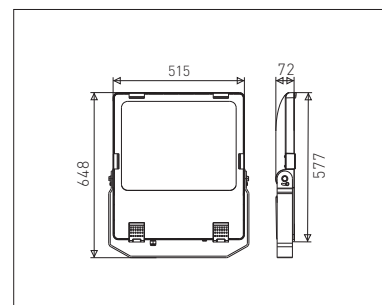


FN



Mounting hole:





AC176V~265V 50/60Hz 3535 CRI 70 IP66 (Single Color on/off)

Model	LED QTY (pcs)	Power (w)	Luminous Flux (lm) -3000K	Luminous Flux (lm) -4000K	Luminous Flux (lm) -5000K	Beam Angle	Weight (kg)
F.367A.10.0220.009.XX.02	96	220	19267	19267	20616	9°	18.5
F.367A.10.0220.015.XX.02	96	220	22720	23856	25220	15°	18.5
F.367A.10.0220.025.XX.02	96	220	22058	23161	24484	25°	18.5
F.367A.10.0220.040.XX.02	96	220	22660	23793	25153	40°	18.5
F.367A.10.0220.060.XX.02	96	220	21300	22365	23643	60°	18.5
F.367A.10.0220.090.XX.02	96	220	22175	23283	24614	90°	18.5
F.367A.10.0220.1040.XX.02	96	220	20209	21219	22432	10°*40°	18.5
F.367A.10.0220.0T2.XX.02	96	220	21834	22926	24236	T2	18.5
F.367A.10.0220.0T3.XX.02	96	220	21308	22373	23652	T3	18.5

Remark:"xx" for CCT 3000K/4000K/5000K,example 3000k,then full name is "F.367A.10.0220.0T3.W3.02"

AC176V~265V 50/60Hz 3535 CRI 70 IP66 (Single Color on/off)

Model	LED QTY (pcs)	Power (w)	Luminous Flux (lm) -3000K	Luminous Flux (lm) -4000K	Luminous Flux (lm) -5000K	Beam Angle	Weight (kg)
F.367A.10.0280.009.XX.02	120	280	24484	24484	26198	9°	18.5
F.367A.10.0280.015.XX.02	120	280	28906	30352	32086	15°	18.5
F.367A.10.0280.025.XX.02	120	280	28064	29467	31151	25°	18.5
F.367A.10.0280.040.XX.02	120	280	28830	30271	32001	40°	18.5
F.367A.10.0280.060.XX.02	120	280	27109	28465	30091	60°	18.5
F.367A.10.0280.090.XX.02	120	280	28212	29622	31315	90°	18.5
F.367A.10.0280.1040.XX.02	120	280	25725	27011	28554	10°*40°	18.5
F.367A.10.0280.0T2.XX.02	120	280	27797	29186	30854	T2	18.5
F.367A.10.0280.0T3.XX.02	120	280	27129	28486	29910	T3	18.5

Remark:"xx" for CCT 3000K/4000K/5000K,example 3000k,then full name is "F.367A.10.0280.0T3.W3.02"

AC176V~265V 50/60Hz 3535 CRI 70 IP66 (Single Color on/off)

Model	LED QTY (pcs)	Power (w)	Luminous Flux (lm) -3000K	Luminous Flux (lm) -4000K	Luminous Flux (lm) -5000K	Beam Angle	Weight (kg)
F.367A.10.0330.009.XX.02	144	330	29167	29167	31208	9°	18.5
F.367A.10.0330.015.XX.02	144	330	34225	35936	37990	15°	18.5
F.367A.10.0330.025.XX.02	144	330	32891	34535	36508	25°	18.5
F.367A.10.0330.040.XX.02	144	330	33846	35539	37570	40°	18.5
F.367A.10.0330.060.XX.02	144	330	32376	33995	35938	60°	18.5
F.367A.10.0330.090.XX.02	144	330	33234	34895	36889	90°	18.5
F.367A.10.0330.1040.XX.02	144	330	30318	31833	33652	10°*40°	18.5
F.367A.10.0330.0T2.XX.02	144	330	32772	34410	36377	T2	18.5
F.367A.10.0330.0T3.XX.02	144	330	31962	33560	35478	T3	18.5

Remark:"xx" for CCT 3000K/4000K/5000K,example 3000k,then full name is "F.367A.10.0330.0T3.W3.02"

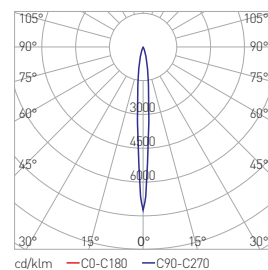
AC176V~265V 50/60Hz 3535 CRI 70 IP66 (Single Color on/off)

Model	LED QTY (pcs)	Power (w)	Luminous Flux (lm) -3000K	Luminous Flux (lm) -4000K	Luminous Flux (lm) -5000K	Beam Angle	Weight (kg)
F.367A.10.0420.009.XX.02	192	420	36778	36778	39353	9°	18.5
F.367A.10.0420.015.XX.02	192	420	43359	45527	48129	15°	18.5
F.367A.10.0420.025.XX.02	192	420	42095	44200	46726	25°	18.5
F.367A.10.0420.040.XX.02	192	420	43245	45407	48002	40°	18.5
F.367A.10.0420.060.XX.02	192	420	40664	42697	45137	60°	18.5
F.367A.10.0420.090.XX.02	192	420	42318	44434	46973	90°	18.5
F.367A.10.0420.1040.XX.02	192	420	38586	40515	42830	10°*40°	18.5
F.367A.10.0420.0T2.XX.02	192	420	41695	43780	46281	T2	18.5
F.367A.10.0420.0T3.XX.02	192	420	40694	42728	45170	T3	18.5

Remark:"xx" for CCT 3000K/4000K/5000K,example 3000k,then full name is "F.367A.10.0420.0T3.W3.02"

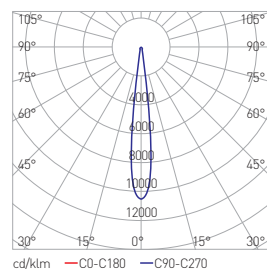
F.367A.10.0420.009.W4.02

H(m)	D(m)	Eav(lx)	Ecen(lx)
10.0	1.7	4386	9108
20.0	3.4	1089	2263
30.0	5.1	484	1004
40.0	6.8	273	564
50.0	8.5	176	361
60.0	10.2	122	251



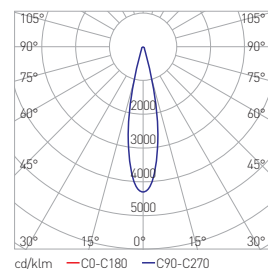
F.367A.10.0420.015.W4.02

H(m)	D(m)	Eav(lx)	Ecen(lx)
10.0	3.0	2293	4654
20.0	6.0	573	1153
30.0	8.0	300	511
40.0	11.0	163	288
50.0	14.0	103	185
60.0	17.0	70	129



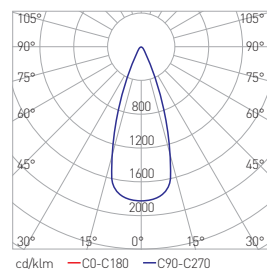
F.367A.10.0420.025.W4.02

H(m)	D(m)	Eav(lx)	Ecen(lx)
10.0	4.6	1049	1882
20.0	9.2	262	466
30.0	13.8	117	207
40.0	18.4	66	117
50.0	23.0	43	75
60.0	27.6	30	52



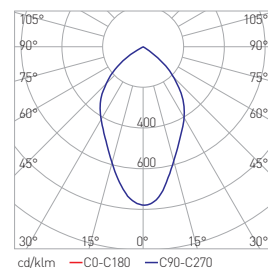
F.367A.10.0420.040.W4.02

H(m)	D(m)	Eav(lx)	Ecen(lx)
5.0	1.46	2054	3391
10.0	2.92	509	832
15.0	4.38	226	368
20.0	5.84	128	207
25.0	7.30	82	133
30.0	8.76	57	92



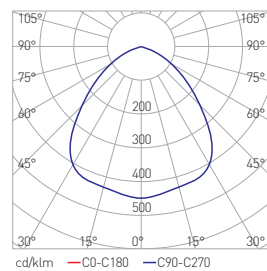
F.367A.10.0420.060.W4.02

H(m)	D(m)	Eav(lx)	Ecen(lx)
5.0	1.46	954.0	1435
10.0	2.92	236.0	353
15.0	4.38	105.0	157
20.0	5.84	60.0	88
25.0	7.30	39.0	57
30.0	8.76	28.0	40



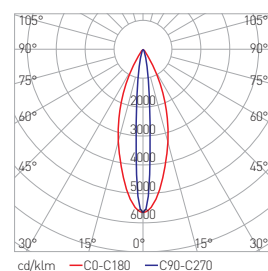
F.367A.10.0420.090.W4.02

H(m)	D(m)	Eav(lx)	Ecen(lx)
2.0	2.0	3888	5289
4.0	4.0	938	1259
6.0	6.0	413	552
8.0	8.0	232	309
10.0	10.0	149	197
12.0	12.0	104	137

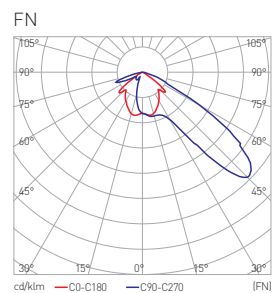
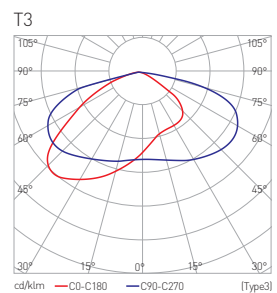
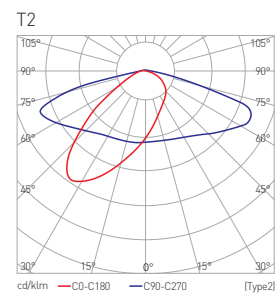


F.367A.10.0420.1040.W4.02

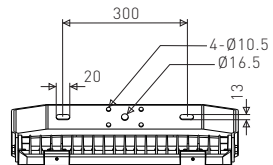
H(m)	D(m)	Eav(lx)	Ecen(lx)
5.0	0.9*3.65	6776	10890
10.0	1.8*7.3	1676	2669
15.0	2.7*10.95	745	1179
20.0	3.6*14.6	419	661
25.0	4.5*18.25	268	423
30.0	5.4*21.9	186	294

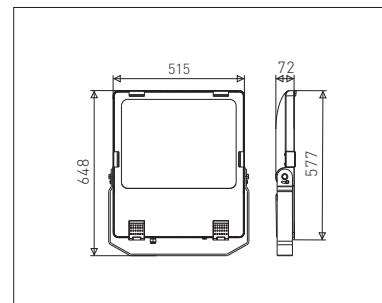


Other light distribution:



Mounting hole:





AC176V-265V 50/60Hz 3535 CRI 70 IP66 (Single Color on/off)

Model	LED QTY (pcs)	Power (w)	Luminous Flux (lm) -3000K	Luminous Flux (lm) -4000K	Luminous Flux (lm) -5000K	Beam Angle	Weight (kg)
F.367B.10.0200.003.XX.02	84	200	19905	19905	21299	3.5°	18.5
F.367B.10.0200.005.XX.02	84	200	12803	12803	13699	5°	18.5
F.367B.10.0270.003.XX.02	108	270	26872	26872	28753	3.5°	18.5
F.367B.10.0270.005.XX.02	108	270	17231	17231	18438	5°	18.5
F.367B.10.0400.006.XX.02	84	400	25600	25600	27400	6.5°	18.5

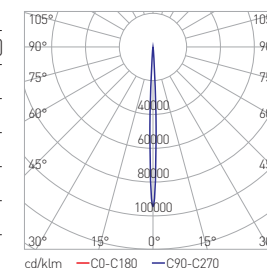
Remark: "xx" for CCT 3000K/4000K/5000K, example 3000k, then full name is "F.367B.10.0400.006.W3.02"

AC176V-265V 50/60Hz 3535 CRI 70 IP66 (RGB/RGBW)

Model	LED QTY (pcs)	Power (w)	Colour	Luminous Flux (lm)	Beam Angle	Weight (kg)
F.367B.10.0200.003.RGB.02-D	84	200	RGB	12757	3.5°	18.5
F.367B.10.0200.003.RGBW.02-D	84	200	RGBW	14193	3.5°	18.5
F.367B.10.0200.005.RGB.02-D	84	200	RGB	8205	5°	18.5
F.367B.10.0200.005.RGBW.02-D	84	200	RGBW	8299	5°	18.5
F.367B.10.0270.003.RGB.02-D	108	270	RGB	17222	3.5°	18.5
F.367B.10.0270.003.RGBW.02-D	108	270	RGBW	19161	3.5°	18.5
F.367B.10.0270.005.RGB.02-D	108	270	RGB	11077	5°	18.5
F.367B.10.0270.005.RGBW.02-D	108	270	RGBW	11204	5°	18.5

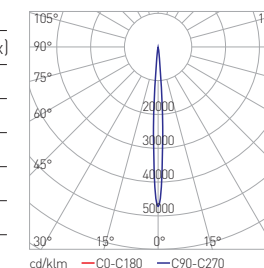
F.367B.10.0200.003.W4.02

H(m)	D(m)	Eav(lx)	Ecen(lx)
10	0.59	11120	11040
20	1.17	2780	2760
30	1.76	1236	1227
40	2.34	695	690
50	2.93	445	442
60	3.51	309	307



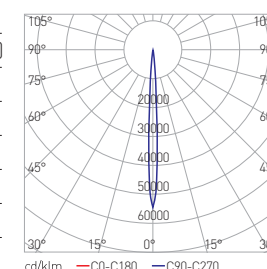
F.367B.10.0200.005.W4.02

H(m)	D(m)	Eav(lx)	Ecen(lx)
10	0.98	8448	8334
20	1.95	2112	2096
30	2.93	939	932
40	3.9	528	524
50	4.88	338	335
60	5.85	235	233

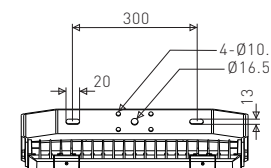


F.367B.10.0400.006.W4.02

H(m)	D(m)	Eav(lx)	Ecen(lx)
10	1.11	16051	15835
20	2.22	4013	3982
30	3.33	1784	1771
40	4.44	1003	996
50	5.55	642	637
60	6.66	447	443



Mounting hole:



LED Flood Light

F.38 SERIES

F.38 series, the entire lamp body is completed by integrated aluminum die-casting, with light source and power supply dual cavity, reduces the heat formation that overlaps with each other, which causing chip premature failure due to excessive temperature. Tempered glass for smooth surface protection, reducing environmental damage to optical and electronic components, effectively extending product lifespan.



F.384



F.385



F.386

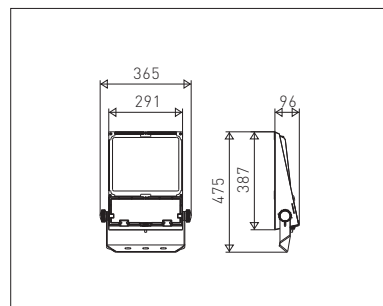
Product Description

- Watts:100W-500W
- Integrated die-casting of lamp body, tempered glass with smooth surface, providing comprehensive protection for optical and electronic components not affected by the environment;
- IP66 waterproof and dustproof structure sealing design
- IK08 anti-collision performance
- Vibration level: 3G
- Positive surge protection performance and over voltage, over temperature, over power, short circuit protection
- Unaided operation without tools

- Adjustable spigot for flexible response to various installation requirements

Components Choosable

- Vertical install transition sleeve
- Power off protector
- Optical controller
- Intelligent control interface and intelligent control accessories
- Falling prevention safety rope
- Single lamp single control
- Surge Protective Device



AC90V~305V 50/60Hz 3030(16 in 1) IP66 (Light distribution : 30°/60°/90°/Type2/Type3/FN)

Model	Power (W)	CRI	CCT (K)	LED QTY(pcs) -120lm/w	LED QTY(pcs) -130lm/w	LED QTY(pcs) -140lm/w	LED QTY(pcs) -150lm/w	Weight (kg)
F.384A.10.0150.OXX.XX.02	150	80	2700	256	/	/	/	4.6
		70	3000	176	240	/	/	4.6
		70	4000/5000	160	192	288	/	4.6
F.384A.10.0180.OXX.XX.02	180	80	2700	320	/	/	/	4.6
		70	3000	192	320	/	/	4.6
		70	4000/5000	192	224	320	/	4.6
F.384A.10.0200.OXX.XX.02	200	80	2700	320	/	/	/	4.6
		70	3000	240	320	/	/	4.6
		70	4000/5000	240	256	/	/	4.6
F.384A.10.0225.OXX.XX.02	225	80	2700	/	/	/	/	4.6
		70	3000	240	/	/	/	4.6
		70	4000/5000	240	288	/	/	4.6
F.384A.10.0250.OXX.XX.02	250	80	2700	/	/	/	/	4.6
		70	3000	288	/	/	/	4.6
		70	4000/5000	256	320	/	/	4.6

Remark: ".OXX." for light distribution 30°/60°/90°/Type2/Type3/FN, ".XX." for CCT 2700K/3000K/4000K/5000K, example light distribution Type2、CCT 3000K, then full name is "F.84A.10.0150.0T2.W3.02".

AC90V~305V 50/60Hz 5050(8 in 1) IP66 (Light distribution : 30°/60°/90°/Type2/Type3/FN)

Model	Power (W)	CRI	CCT (K)	LED QTY(pcs) -120lm/w	LED QTY(pcs) -130lm/w	LED QTY(pcs) -140lm/w	LED QTY(pcs) -150lm/w	Weight (kg)
F.384B.10.0150.OXX.XX.02	150	70	2700	/	60	96	/	4.6
		70	3000	/	/	72	118	4.6
		70	4000/5000	/	/	/	84	4.6
F.384B.10.0180.OXX.XX.02	180	70	2700	/	72	118	/	4.6
		70	3000	/	/	86	142	4.6
		70	4000/5000	/	/	/	100	4.6
F.384B.10.0200.OXX.XX.02	200	70	2700	/	86	132	/	4.6
		70	3000	/	/	108	160	4.6
		70	4000/5000	/	/	80	126	4.6
F.384B.10.0225.OXX.XX.02	225	70	2700	60	92	142	/	4.6
		70	3000	/	72	108	172	4.6
		70	4000/5000	/	/	86	126	4.6

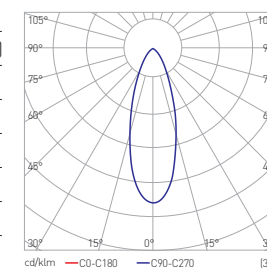
AC90V~305V 50/60Hz 5050(8 in 1) IP66 (Light distribution : 30°/60°/90°/Type2/Type3/FN)

Model	Power (W)	CRI	CCT (K)	LED QTY(pcs) -120lm/w	LED QTY(pcs) -130lm/w	LED QTY(pcs) -140lm/w	LED QTY(pcs) -150lm/w	Weight (kg)
F.384B.10.0250.OXX.XX.02	250	70	2700	66	100	160	/	4.6
		70	3000	/	76	118	/	4.6
		70	4000/5000	/	/	92	142	4.6

Remark: ".OXX." for light distribution 30°/60°/90°/Type2/Type3/FN, ".XX." for CCT 2700K/3000K/4000K/5000K, example light distribution Type2、CCT 3000K, then full name is "F.384B.10.0150.0T2.W3.02".

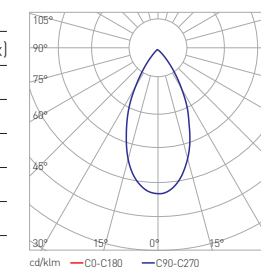
F.384.10.0250.030.W4

H(m)	D(m)	Eav(lx)	Ecen(lx)
4.0	2.1	2054	3253
8.0	4.2	515	821
12.0	6.3	229	365
16.0	8.4	129	205
20.0	10.5	83	131
24.0	12.6	58	91



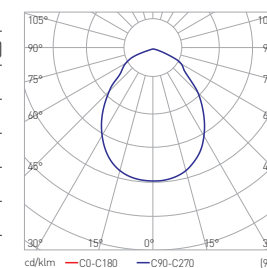
F.384.10.0250.060.W4

H(m)	D(m)	Eav(lx)	Ecen(lx)
4.0	4.6	762	1564
8.0	9.2	189	381
12.0	13.8	84	168
16.0	18.4	46	94
20.0	23	30	60
24.0	27.6	21	41

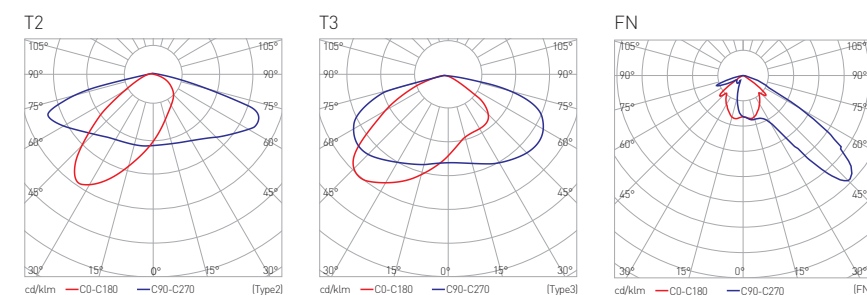


F.384.10.0250.090.W4

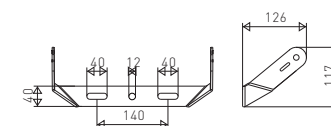
H(m)	D(m)	Eav(lx)	Ecen(lx)
4.0	4.0	1254	3510
8.0	8.0	308	838
12.0	12.0	136	366
16.0	16.0	76	204
20.0	20.0	49	130
24.0	24.0	34	90

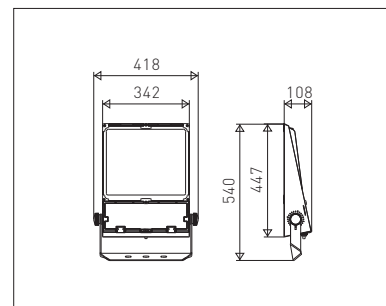


Other light distribution :



Mounting hole :





AC90V~305V 50/60Hz 3030(16 in 1) IP66 (Light distribution : 30°/60°/90°/Type2/Type3/FN)

Model	Power (W)	CRI	CCT (K)	LED QTY(pcs) -120lm/w	LED QTY(pcs) -130lm/w	LED QTY(pcs) -140lm/w	LED QTY(pcs) -150lm/w	Weight (kg)
F.385A.10.0275.0XX.XX.02	275	80	2700	/	/	/	/	6.7
		70	3000	320	448	/	/	6.7
		70	4000/5000	288	352	/	/	6.7
F.385A.10.0300.0XX.XX.02	300	80	2700	/	/	/	/	6.7
		70	3000	352	480	/	/	6.7
		70	4000/5000	320	400	/	/	6.7

Remark: ".0XX." for light distribution 30°/60°/90°/Type2/Type3/FN, ".XX." for CCT 2700K/3000K/4000K/5000K, example light distribution Type2、CCT 3000K, then full name is "F.385A.10.0300.0T2.W3.02".

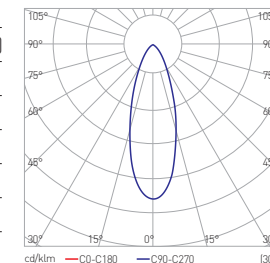
AC90V~305V 50/60Hz 5050(8 in 1) IP66 (Light distribution : 30°/60°/90°/Type2/Type3/FN)

Model	Power (W)	CRI	CCT (K)	LED QTY(pcs) -120lm/w	LED QTY(pcs) -130lm/w	LED QTY(pcs) -140lm/w	LED QTY(pcs) -150lm/w	Weight (kg)
F.385B.10.0250.0XX.XX.02	250	70	2700	/	/	/	/	6.7
		70	3000	/	/	/	186	6.7
		70	4000/5000	/	/	/	/	6.7
F.385B.10.0275.0XX.XX.02	275	70	2700	72	108	172	/	6.7
		70	3000	/	/	132	216	6.7
		70	4000/5000	/	/	100	160	6.7
F.385B.10.0300.0XX.XX.02	300	70	2700	86	126	192	/	6.7
		70	3000	/	/	160	240	6.7
		70	4000/5000	/	/	118	186	6.7

Remark: ".0XX." for light distribution 30°/60°/90°/Type2/Type3/FN, ".XX." for CCT 2700K/3000K/4000K/5000K, example light distribution Type2、CCT 3000K, then full name is "F.385B.10.0300.0T2.W3.02".

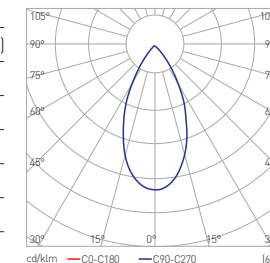
F.385.10.0300.030.W4

H(m)	D(m)	Eav(lx)	Ecen(lx)
4.0	5.3	393	631
8.0	10.5	99	158
12.0	15.5	44	70
16.0	21	25	39
20.0	26.5	16	25
24.0	31	11	18



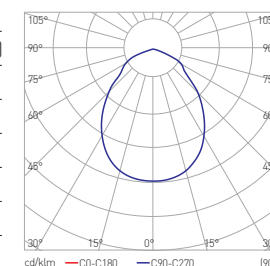
F.385.10.0300.060.W4

H(m)	D(m)	Eav(lx)	Ecen(lx)
4.0	5.8	578	1189
8.0	11.5	144	291
12.0	17.5	63	129
16.0	23	36	72
20.0	29	23	46
24.0	35	16	32

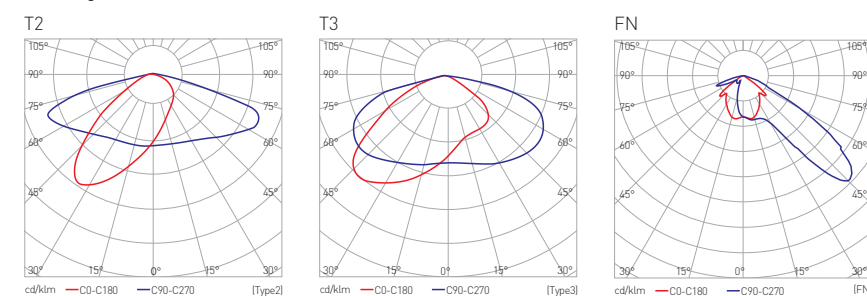


F.385.10.0300.090.W4

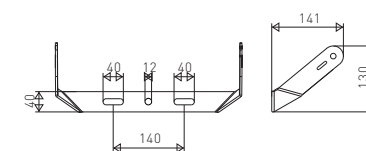
H(m)	D(m)	Eav(lx)	Ecen(lx)
4.0	8	369	1005
8.0	16	92	245
12.0	24	41	108
16.0	32	23	60
20.0	40	15	39
24.0	48	11	27

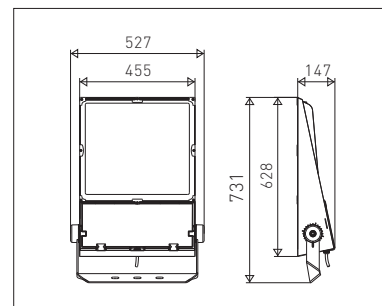


Other light distribution :



Mounting hole:





AC90V~305V 50/60Hz 3030(16 in 1) IP66 (Light distribution : 30°/60°/90°/Type2/Type3/FN)

Model	Power (W)	CRI	CCT (K)	LED QTY(pcs) -120lm/w	LED QTY(pcs) -130lm/w	LED QTY(pcs) -140lm/w	LED QTY(pcs) -150lm/w	Weight (kg)
F.386A.10.0325.0XX.XX.02	325	80	2700	608	/	/	/	14.8
		70	3000	400	512	/	/	14.8
		70	4000/5000	352	400	608	/	14.8
F.386A.10.0350.0XX.XX.02	350	80	2700	640	/	/	/	14.8
		70	3000	400	560	/	/	14.8
		70	4000/5000	352	448	640	/	14.8
F.386A.10.0375.0XX.XX.02	375	80	2700	688	/	/	/	14.8
		70	3000	448	608	/	/	14.8
		70	4000/5000	400	480	688	/	14.8
F.386A.10.0400.0XX.XX.02	400	80	2700	768	/	/	/	14.8
		70	3000	448	608	/	/	14.8
		70	4000/5000	448	512	768	/	14.8
F.386A.10.0425.0XX.XX.02	425	80	2700	768	/	/	/	14.8
		70	3000	480	640	/	/	14.8
		70	4000/5000	448	560	768	/	14.8
F.386A.10.0450.0XX.XX.02	450	80	2700	896	/	/	/	14.8
		70	3000	512	688	/	/	14.8
		70	4000/5000	480	560	896	/	14.8
F.386A.10.0475.0XX.XX.02	475	80	2700	896	/	/	/	14.8
		70	3000	560	768	/	/	14.8
		70	4000/5000	480	608	896	/	14.8
F.386A.10.0500.0XX.XX.02	500	80	2700	896	/	/	/	14.8
		70	3000	560	768	/	/	14.8
		70	4000/5000	512	640	896	/	14.8

Remark: ".0XX." for light distribution 30°/60°/90°/Type2/Type3/FN, ".XX." for CCT 2700K/3000K/4000K/5000K, example light distribution Type2、CCT 3000K, then full name is "F.386A.10.0500.0T2.W3.02".

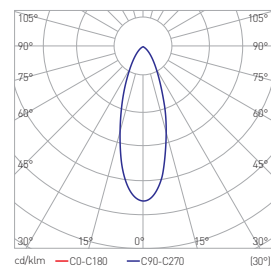
AC90V~305V 50/60Hz 5050(8 in 1) IP66 (Light distribution : 30°/60°/90°/Type2/Type3/FN)

Model	Power (W)	CRI	CCT (K)	LED QTY(pcs) -120lm/w	LED QTY(pcs) -130lm/w	LED QTY(pcs) -140lm/w	LED QTY(pcs) -150lm/w	Weight (kg)
F.386B.10.0325.0XX.XX.02	325	70	2700	/	142	216	/	14.8
		70	3000	/	/	172	260	14.8
		70	4000/5000	/	/	/	200	14.8
F.386B.10.0350.0XX.XX.02	350	70	2700	/	146	260	/	14.8
		70	3000	/	/	180	272	14.8
		70	4000/5000	/	/	/	208	14.8
F.386B.10.037.0XX.XX.025	375	70	2700	/	160	272	/	14.8
		70	3000	/	/	192	304	14.8
		70	4000/5000	/	/	/	216	14.8
F.386B.10.0400.0XX.XX.02	400	70	2700	/	172	286	/	14.8
		70	3000	/	/	208	324	14.8
		70	4000/5000	/	/	/	236	14.8
F.386B.10.0425.0XX.XX.02	425	70	2700	/	186	304	/	14.8
		70	3000	/	/	228	344	14.8
		70	4000/5000	/	/	/	248	14.8
F.386B.10.0450.0XX.XX.02	450	70	2700	/	192	324	/	14.8
		70	3000	/	/	236	368	14.8
		70	4000/5000	/	/	/	260	14.8
F.386B.10.0475.0XX.XX.02	475	70	2700	/	208	344	/	14.8
		70	3000	/	/	248	400	14.8
		70	4000/5000	/	/	/	272	14.8
F.386B.10.0500.0XX.XX.02	500	70	2700	/	216	368	/	14.8
		70	3000	/	/	260	416	14.8
		70	4000/5000	/	/	/	286	14.8

Remark: ".0XX." for light distribution 30°/60°/90°/Type2/Type3/FN, ".XX." for CCT 2700K/3000K/4000K/5000K, example light distribution Type2、CCT 3000K, then full name is "F.386B.10.0150.0T2.W3.02".

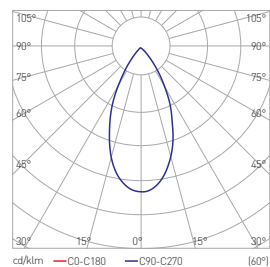
F.386.10.0500.030.W4

H(m)	D(m)	Eav(lx)	Ecen(lx)
4.0	5.3	655	1052
8.0	10.5	165	263
12.0	15.5	73	117
16.0	21	42	65
20.0	26.5	27	42
24.0	31	18	30



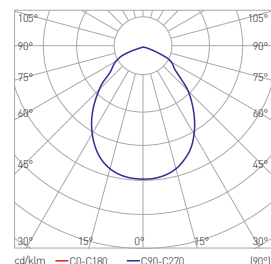
F.386.10.0500.060.W4

H(m)	D(m)	Eav(lx)	Ecen(lx)
4.0	5.8	964	1982
8.0	11.5	240	485
12.0	17.5	105	215
16.0	23	60	120
20.0	29	38	77
24.0	35	27	53

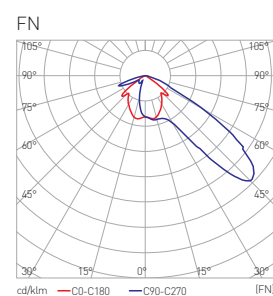
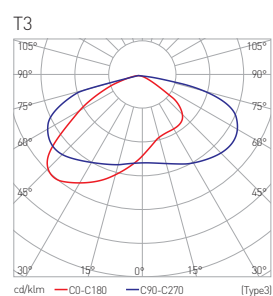
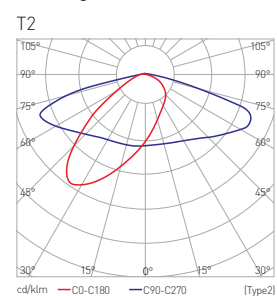


F.386.10.0500.090.W4

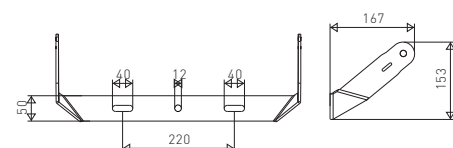
H(m)	D(m)	Eav(lx)	Ecen(lx)
4.0	8	616	408
8.0	16	153	408
12.0	24	68	180
16.0	32	38	100
20.0	40	25	65
24.0	48	18	45



Other light distribution:



Mounting hole:



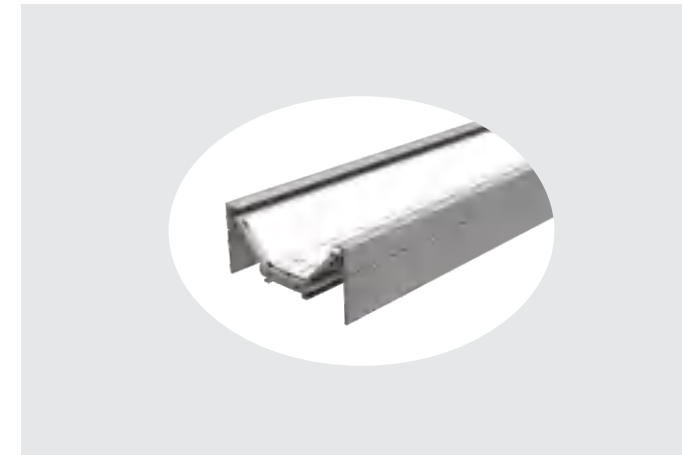


LED TUNNEL LIGHT

LED Tunnel Light

BOREAS T.61 SERIES

BOREAS T.61 series tunnel light has a linear appearance, simple and fashionable, and a beautiful shape. With different sizes, the output power could be from 25W to 240W; The main lamp body is made of high-strength aluminum profiles, with strong structure and impact resistance; Ultra white tempered glass transparent cover can effectively resist corrosion application environment caused by the automobile exhaust, and extend the lifespan of lamp; Brand LED chips and tunnel specific lenses can meet the lighting requirements of different tunnels. Professional designed heat dissipation components can ensure the lamp operate in an environment of max 50°C , greatly reducing the occurrence of early light decay; Professional designed optical components, high-efficiency PET reflective, high-efficiency optical distribution board, ensuring efficient and high-quality light output effect; The continuous installation design creates a seamless, comfortable, brighter, and flicker free visual effect, making it the best option for both new tunnels and the one that needing replacement.

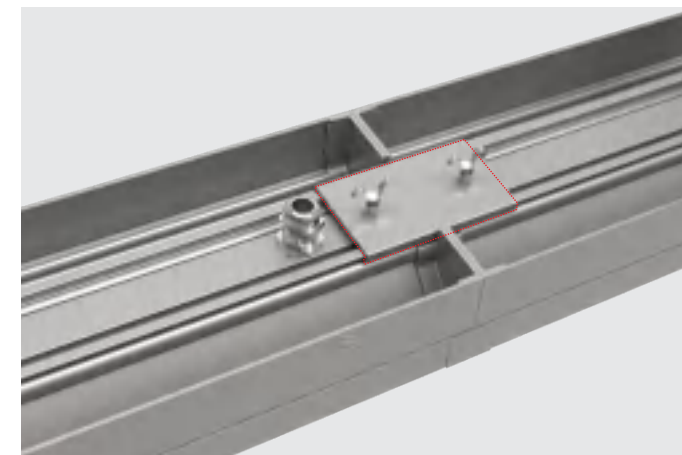


High efficiency and energy-saving

Efficient LED light source and PET high-efficiency reflective, maximizing light efficiency utilization

Reliable performance

Integrated aluminium die-casting case, 500 hours anti-salt spray corrosion spraying treatment, which make the body strong and durable, the collision level can reach IK08. Excellent heat dissipation design greatly reduce the lumen depreciation during early stage.

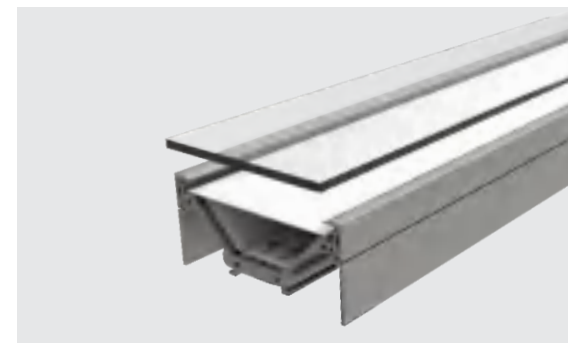


Multi-function optional

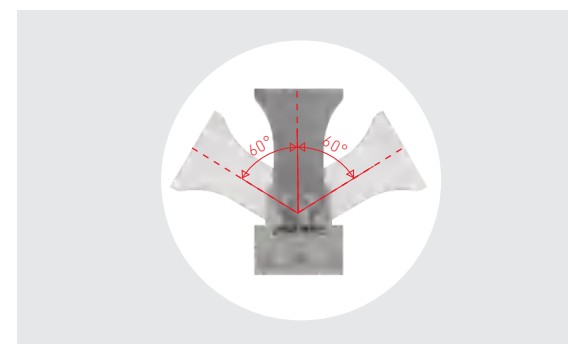
- 1、 Positioning slot mounting parts
- 2、 Flexible lumen options
- 3、 0-10V control

**Slim and delicate**

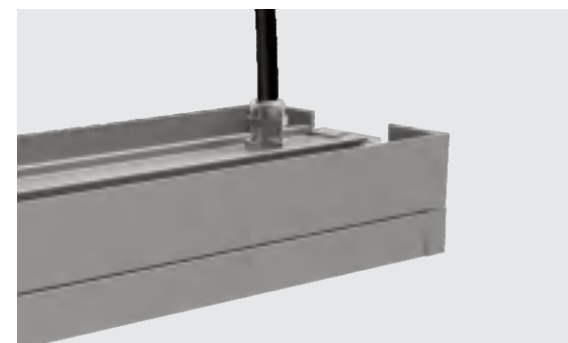
Simple lines, clear edges, and linear appearance

**Optical system**

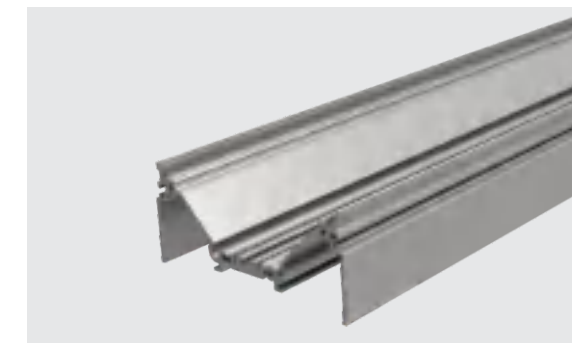
Special designed optical distribution board for tunnel lamps, with efficient transmittance, no glare, and uniform light output; The high transmittance ultra white tempered glass protective cover has a transmittance max to 92%, can effectively resist corrosion application environment caused by the automobile exhaust, and extend the lifespan of lamp.

**Angle adjustment**

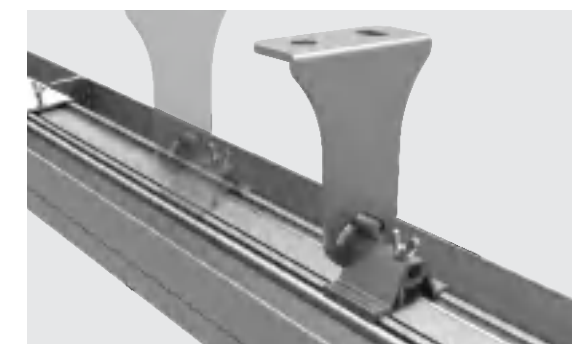
After finished installation, there is no need to disassemble the lamp. Adjust the bracket can adjust the installation angle, which can rotate $\pm 60^\circ$.

**Metal cable gland**

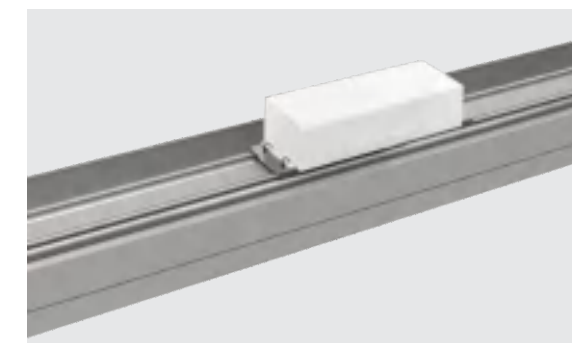
High quality waterproof metal cable gland effectively protects the sealing at the outlet of the lamp, prevents the IP failure caused by aging, effectively avoids the internal electronic components short circuit and other failure faults caused by water leakage.

**Structural waterproof**

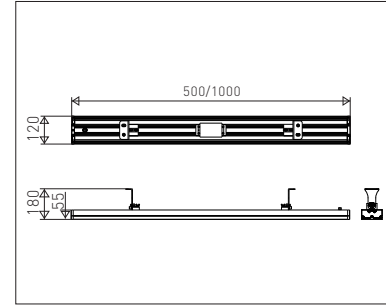
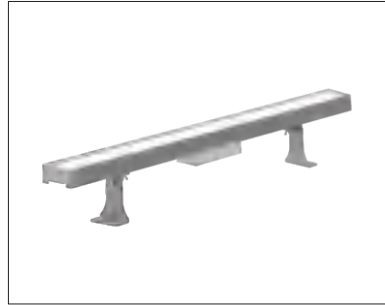
The closed body structure can achieve IP66 without add gluing. Ensure that there is no IP failure caused by adhesive aging in the outdoor environment, effectively avoid the internal electronic component short circuits and other failure faults caused by water leakage.

**Adjustable spacing**

Butterfly shaped screw can adjust the installation spacing, flexible and convenient, suitable for installation in various environments.

**Convenient maintenance**

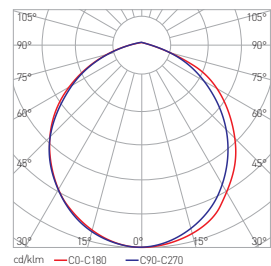
External IP67 waterproof driver, easy to maintenance and can greatly reduce maintenance costs.



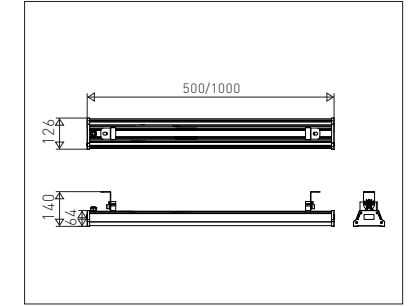
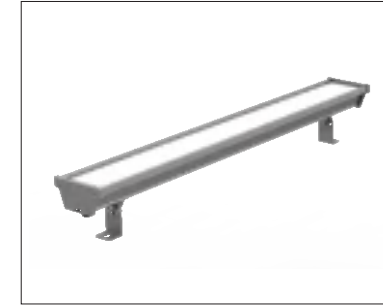
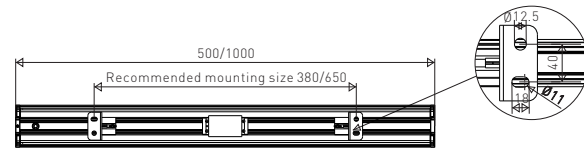
AC176V-265V 50/60Hz 2835 CRI 70 IP66

Model	LED QTY (pcs)	Power (w)	Length (mm)	Luminous Flux (lm) -3000K	Luminous Flux (lm) -4000K	Luminous Flux (lm) -5000K	Beam Angle	Weight (kg)
T.612A.10.0010.0110.XX.02.050	90	10	500	1190	1250	1250	110°	2.3
T.612A.10.0015.0110.XX.02.050	110	15	500	1770	1860	1860	110°	2.3
T.612A.10.0020.0110.XX.02.050	144	20	500	2360	2460	2460	110°	2.3
T.612A.10.0025.0110.XX.02.050	180	25	500	2950	3100	3100	110°	2.3
T.612A.10.0030.0110.XX.02.050	200	30	500	3540	3660	3660	110°	2.3
T.612A.10.0040.0110.XX.02.050	210	40	500	4720	4880	4880	110°	2.3
T.612A.10.0050.0110.XX.02.050	225	50	500	5900	6100	6100	110°	2.3
T.612A.10.0060.0110.XX.02.050	240	60	500	7020	7260	7260	110°	2.4
T.612A.10.0015.0110.XX.02.100	135	15	1000	1800	1875	1875	110°	3.9
T.612A.10.0020.0110.XX.02.100	168	20	1000	2400	2500	2500	110°	3.9
T.612A.10.0030.0110.XX.02.100	210	30	1000	3540	3720	3720	110°	3.9
T.612A.10.0038.0110.XX.02.100	240	38	1000	4520	4758	4758	110°	3.9
T.612A.10.0045.0110.XX.02.100	270	45	1000	5310	5580	5580	110°	3.9
T.612A.10.0060.0110.XX.02.100	315	60	1000	7080	7440	7440	110°	4
T.612A.10.0075.0110.XX.02.100	330	75	1000	8925	9375	9375	110°	4
T.612A.10.0090.0110.XX.02.100	350	90	1000	10530	10890	10890	110°	4.1
T.612A.10.0100.0110.XX.02.100	450	100	1000	11800	12200	12200	110°	4.1
T.612A.10.0120.0110.XX.02.100	468	120	1000	14160	14640	14640	110°	4.3

Remark: "xx" for CCT 3000K/4000K/5000K, example 3000k, then full name is "T.612A.10.0120.0110.W3.02.100"



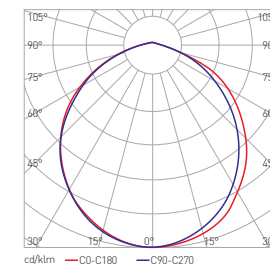
Mounting hole:



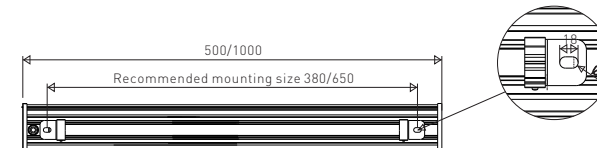
AC176V-265V 50/60Hz 2835 CRI 70 IP66

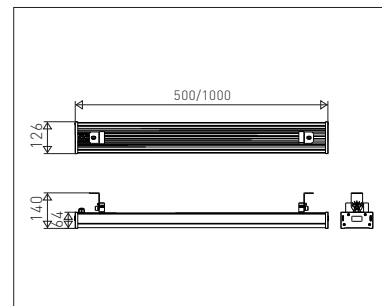
Model	LED QTY (pcs)	Power (w)	Length (mm)	Luminous Flux (lm) -3000K	Luminous Flux (lm) -4000K	Luminous Flux (lm) -5000K	Beam Angle	Weight (kg)
T.613A.10.0010.0110.XX.02.050	90	10	500	1190	1250	1250	110°	1.9
T.613A.10.0015.0110.XX.02.050	110	15	500	1770	1860	1860	110°	1.9
T.613A.10.0020.0110.XX.02.050	144	20	500	2360	2460	2460	110°	1.9
T.613A.10.0025.0110.XX.02.050	180	25	500	2950	3100	3100	110°	1.9
T.613A.10.0030.0110.XX.02.050	200	30	500	3540	3660	3660	110°	1.9
T.613A.10.0040.0110.XX.02.050	210	40	500	4720	4880	4880	110°	1.9
T.613A.10.0050.0110.XX.02.050	225	50	500	5900	6100	6100	110°	1.9
T.613A.10.0060.0110.XX.02.050	240	60	500	7020	7260	7260	110°	2
T.613A.10.0015.0110.XX.02.100	135	15	1000	1800	1875	1875	110°	3.1
T.613A.10.0020.0110.XX.02.100	168	20	1000	2400	2500	2500	110°	3.1
T.613A.10.0030.0110.XX.02.100	210	30	1000	3540	3720	3720	110°	3.1
T.613A.10.0038.0110.XX.02.100	240	38	1000	4520	4758	4758	110°	3.1
T.613A.10.0045.0110.XX.02.100	270	45	1000	5310	5580	5580	110°	3.1
T.613A.10.0060.0110.XX.02.100	315	60	1000	7080	7440	7440	110°	3.2
T.613A.10.0075.0110.XX.02.100	330	75	1000	8925	9375	9375	110°	3.2
T.613A.10.0090.0110.XX.02.100	350	90	1000	10530	10890	10890	110°	3.3
T.613A.10.0100.0110.XX.02.100	450	100	1000	11800	12200	12200	110°	3.3
T.613A.10.0120.0110.XX.02.100	468	120	1000	14160	14640	14640	110°	3.5

Remark: "xx" for CCT 3000K/4000K/5000K, example 3000k, then full name is "T.613A.10.0120.0110.W3.02.100"



Mounting hole:

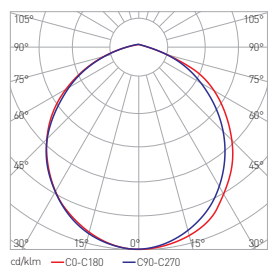




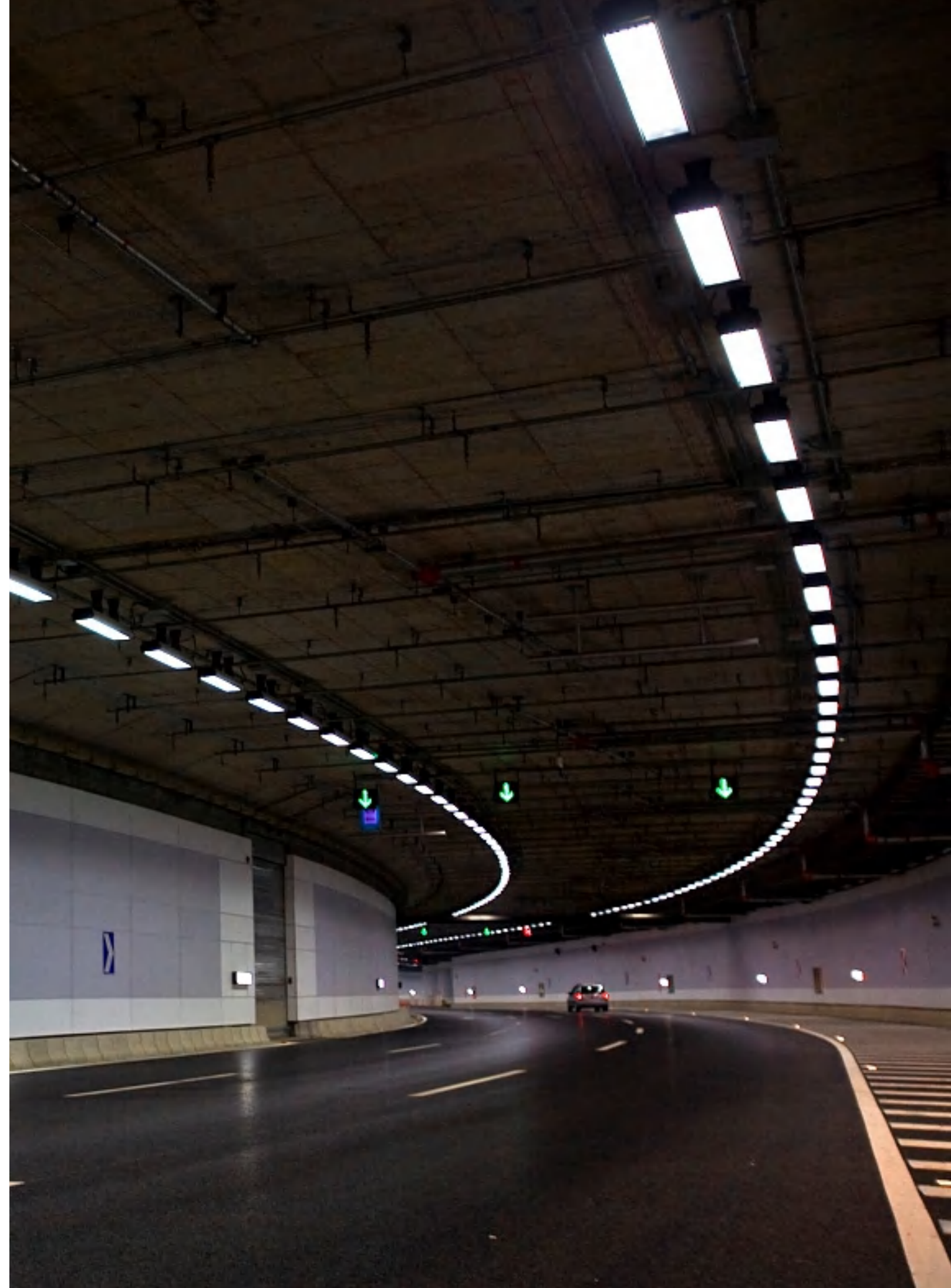
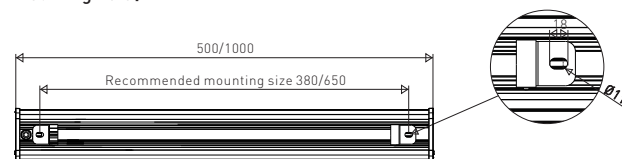
AC176V-265V 50/60Hz 2835 CRI 70 IP66

Model	LED QTY (pcs)	Power (w)	Length (mm)	Luminous Flux (lm) -3000K	Luminous Flux (lm) -4000K	Luminous Flux (lm) -5000K	Beam Angle	Weight (kg)
T.614A.10.0075.0110.XX.02.050	330	75	500	8925	9375	9375	110°	2.4
T.614A.10.0090.0110.XX.02.050	350	90	500	10530	10890	10890	110°	2.5
T.614A.10.0100.0110.XX.02.050	450	100	500	11800	12200	12200	110°	2.5
T.614A.10.0120.0110.XX.02.050	468	120	500	14160	14640	14640	110°	2.7
T.614A.10.0100.0110.XX.02.100	450	100	1000	11800	12200	12200	110°	4.1
T.614A.10.0120.0110.XX.02.100	468	120	1000	14160	14640	14640	110°	4.3
T.614A.10.0150.0110.XX.02.100	620	150	1000	17700	18300	18300	110°	4.3
T.614A.10.0180.0110.XX.02.100	732	180	1000	21240	21960	21960	110°	4.4
T.614A.10.0200.0110.XX.02.100	810	200	1000	23600	24400	24400	110°	4.4
T.614A.10.0225.0110.XX.02.100	916	225	1000	26550	27450	27450	110°	4.4
T.614A.10.0240.0110.XX.02.100	976	240	1000	28320	29280	29280	110°	4.4

Remark: "xx" for CCT 3000K/4000K/5000K, example 3000k, then full name is "T.614A.10.0240.0110.W3.02.100"



Mounting hole:



LED Tunnel Light

T.62 SERIES

T.62 series has four different sizes can choose. The entire lamp body is completed by integrated aluminum die-casting, with light source and power supply dual cavity, reduces the heat formation that overlaps with each other, which causing chip premature failure due to excessive temperature. Tempered glass for smooth surface protection, reducing environmental damage to optical and electronic components, effectively extending product lifespan. Waterproof level can reach IP66.

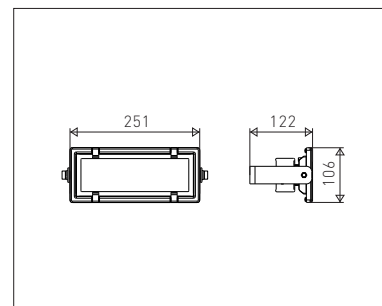


Product Description

- The optical cavity adopts IP66 closed protection design, which protects optical components and LED from environmental influences completely.
- IK08 anti-collision performance
- Vibration level: 3G, positive surge protection performance and over voltage, over temperature, over power, and short circuit protection
- Corrosion protection level:WF2
- Watts: 20W-240W
- Standard color temperature (C.C.T.): 2700K, 3000K, 4000K, 5000K
- Light distribution: 140°x55°、140°x85°
- Select suitable body size and watts based on the needs of different road sections such as the tunnel entrance section, transition section, foundation section, exit section, etc
- Rotate angle: ±90°
- Ambient temperature: -20°C~+40°C

Components Choosable

- 0-10V、DALI、485 dimming mode
- 2200K-6000K dual color temperature dimming mode



AC90V~305V 50/60Hz 3030(24 in 1/8 in 1) IP66 (Light distribution : 140°*55°/140°*85°)

Model	Power (W)	CRI	CCT (K)	LED QTY(pcs) -120lm/w	LED QTY(pcs) -130lm/w	LED QTY(pcs) -140lm/w	Weight (kg)
T.621A.10.0020.140XX.XX.02	20	80	2700	72	/	/	1.4
		70	3000	42	72	/	1.4
		70	4000/5000	42	62	72	1.4
T.621A.10.0030.140XX.XX.02	30	80	2700	72	/	/	1.4
		70	3000	42	72	/	1.4
		70	4000/5000	42	62	84	1.4
T.621A.10.0050.140XX.XX.02	50	80	2700	/	/	/	1.4
		70	3000	72	96	/	1.4
		70	4000/5000	62	84	96	1.4
T.621A.10.0060.140XX.XX.02	60	80	2700	/	/	/	1.4
		70	3000	72	96	/	1.4
		70	4000/5000	62	84	96	1.4

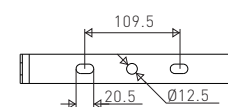
Remark: ".140XX." for light distribution 140°*55°/140°*85°,".XX." for CCT 2700K/3000K/4000K/5000K,example light distribution 140°*55°、 CCT 3000K, then full name is "T.621A.10.0060.14055.W3.02".

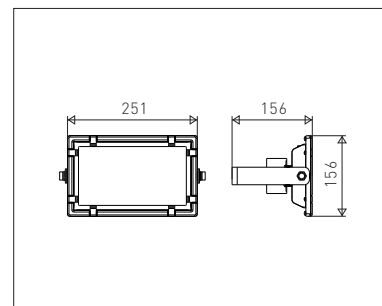
AC90V~305V 50/60Hz 5050(8 in 1) IP66 (Light distribution : 140°*55°/140°*85°)

Model	Power (W)	CRI	CCT (K)	LED QTY(pcs) -120lm/w	LED QTY(pcs) -130lm/w	LED QTY(pcs) -140lm/w	Weight (kg)
T.621B.10.0020.140XX.XX.02	20	70	2700	/	12	/	1.4
		70	3000	/	/	18	1.4
		70	4000/5000	/	/	/	1.4
T.621B.10.0030.140XX.XX.02	30	70	2700	/	18	/	1.4
		70	3000	/	/	24	1.4
		70	4000/5000	/	/	/	1.4
T.621B.10.0050.140XX.XX.02	50	70	2700	18	/	/	1.4
		70	3000	/	/	/	1.4
		70	4000/5000	/	/	/	1.4
T.621B.10.0060.140XX.XX.02	60	70	2700	24	/	/	1.4
		70	3000	/	/	/	1.4
		70	4000/5000	/	/	/	1.4

Remark: ".140XX." for light distribution 140°*55°/140°*85°,".XX." for CCT 2700K/3000K/4000K/5000K,example light distribution 140°*55°、 CCT 3000K, then full name is "T.621B.10.0050.14055.W3.02".

Mounting hole:





AC90V~305V 50/60Hz 3030(24 in 1 / 8 in 1) IP66 (Light distribution : 140°*55°/140°*85°)

Model	Power (W)	CRI	CCT (K)	LED QTY(pcs) -120lm/w	LED QTY(pcs) -130lm/w	LED QTY(pcs) -140lm/w	Weight (kg)
T.622A.10.0075.140XX.XX.02	75	80	2700	162	/	/	2.5
		70	3000	114	144	/	2.5
		70	4000/5000	84	114	144	2.5
T.622A.10.0100.140XX.XX.02	100	80	2700	192	/	/	2.5
		70	3000	144	192	/	2.5
		70	4000/5000	144	144	192	2.5
T.622A.10.0120.140XX.XX.02	120	80	2700	/	/	/	2.5
		70	3000	144	192	/	2.5
		70	4000/5000	144	144	192	2.5

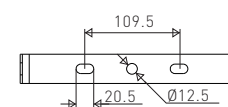
Remark: ".140XX." for light distribution 140°*55°/140°*85°, ".XX." for CCT 2700K/3000K/4000K/5000K, example light distribution 140°*55°、CCT 3000K, then full name is "T.622A.10.0100.14055.W3.02".

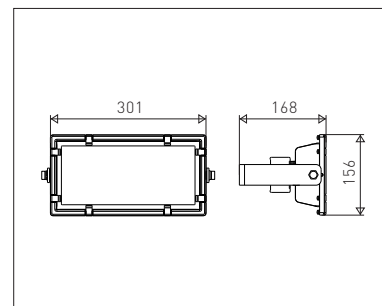
AC90V~305V 50/60Hz 5050(8 in 1) IP66 (Light distribution : 140°*55°/140°*85°)

Model	Power (W)	CRI	CCT (K)	LED QTY(pcs) -120lm/w	LED QTY(pcs) -130lm/w	LED QTY(pcs) -140lm/w	Weight (kg)
T.622B.10.0050.140XX.XX.02	50	70	2700	/	30	/	2.5
		70	3000	/	/	36	2.5
		70	4000/5000	/	/	/	2.5
T.622B.10.0060.140XX.XX.02	60	70	2700	/	30	/	2.5
		70	3000	/	/	48	2.5
		70	4000/5000	/	/	/	2.5
T.622B.10.0075.140XX.XX.02	75	70	2700	/	36	/	2.5
		70	3000	/	/	48	2.5
		70	4000/5000	/	/	/	2.5
T.622B.10.0100.140XX.XX.02	100	70	2700	/	48	/	2.5
		70	3000	/	/	/	2.5
		70	4000/5000	/	/	/	2.5
T.622B.10.0120.140XX.XX.02	120	70	2700	48	48	/	2.5
		70	3000	/	/	/	2.5
		70	4000/5000	/	/	/	2.5

Remark: ".140XX." for light distribution 140°*55°/140°*85°, ".XX." for CCT 2700K/3000K/4000K/5000K, example light distribution 140°*55°、CCT 3000K, then full name is "T.622B.10.0100.14055.W3.02".

Mounting hole:





AC90V~305V 50/60Hz 3030(24 in 1/8 in 1) IP66 (Light distribution : 140°*55°/140°*85°)

Model	Power (W)	CRI	CCT (K)	LED QTY(pcs) -120lm/w	LED QTY(pcs) -130lm/w	LED QTY(pcs) -140lm/w	Weight (kg)
T.623A.10.0150.140XX.XX.02	150	80	2700	256	/	/	3.05
		70	3000	192	256	/	3.05
		70	4000/5000	192	192	256	3.05

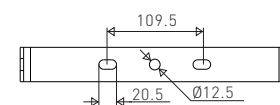
Remark: ".140XX." for light distribution 140°*55°/140°*85°; ".XX." for CCT 2700K/3000K/4000K/5000K,example light distribution 140°*55°、CCT 3000K, then full name is "T.623A.10.0120.14055.W3.02".

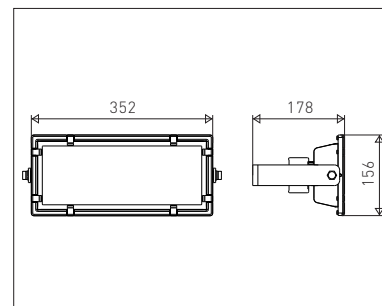
AC90V~305V 50/60Hz 5050(8 in 1) IP66 (Light distribution : 140°*55°/140°*85°)

Model	Power (W)	CRI	CCT (K)	LED QTY(pcs) -120lm/w	LED QTY(pcs) -130lm/w	LED QTY(pcs) -140lm/w	Weight (kg)
T.623B.10.0100.140XX.XX.02	100	70	2700	/	/	/	3.05
		70	3000	/	/	64	3.05
		70	4000/5000	/	/	/	3.05
T.623B.10.0120.140XX.XX.02	120	70	2700	/	/	/	3.05
		70	3000	/	/	64	3.05
		70	4000/5000	/	/	/	3.05
T.623B.10.0150.140XX.XX.02	150	70	2700	/	64	/	3.05
		70	3000	/	/	/	3.05
		70	4000/5000	/	/	/	3.05

Remark: ".140XX." for light distribution 140°*55°/140°*85°; ".XX." for CCT 2700K/3000K/4000K/5000K,example light distribution 140°*55°、CCT 3000K, then full name is "T.623B.10.0100.14055.W3.02".

Mounting hole:





AC90V~305V 50/60Hz 3030(24 in 1/8 in 1) IP66 (Light distribution : 140°*55°/140°*85°)

Model	Power (W)	CRI	CCT (K)	LED QTY(pcs) -120lm/w	LED QTY(pcs) -130lm/w	LED QTY(pcs) -140lm/w	Weight (kg)
T.624A.10.0180.0XX.XX.02	180	80	2700	320	/	/	4.12
		70	3000	240	320	/	4.12
		70	4000/5000	240	240	320	4.12
T.624A.10.0200.0XX.XX.02	200	80	2700	320	/	/	4.12
		70	3000	240	320	/	4.12
		70	4000/5000	240	240	320	4.12
T.624A.10.0225.0XX.XX.02	225	80	2700	/	/	/	4.12
		70	3000	320	/	/	4.12
		70	4000/5000	320	320	320	4.12
T.624A.10.0240.0XX.XX.02	240	80	2700	/	/	/	4.12
		70	3000	320	/	/	4.12
		70	4000/5000	320	320	320	4.12

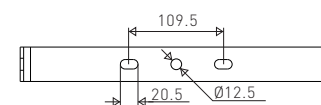
Remark: ".140XX." for light distribution 140°*55°/140°*85°,".XX." for CCT 2700K/3000K/4000K/5000K,example light distribution 140°*55°、 CCT 3000K, then full name is "T.624A.10.0180.14055.W3.02".

AC90V~305V 50/60Hz 5050(8 in 1) IP66 (Light distribution : 140°*55°/140°*85°)

Model	Power (W)	CRI	CCT (K)	LED QTY(pcs) -120lm/w	LED QTY(pcs) -130lm/w	LED QTY(pcs) -140lm/w	Weight (kg)
T.624B.10.0150.0XX.XX.02	150	70	2700	/	/	/	4.12
		70	3000	/	/	72	4.12
		70	4000/5000	/	/	/	4.12
T.624B.10.0180.0XX.XX.02	180	70	2700	/	80	/	4.12
		70	3000	/	/	80	4.12
		70	4000/5000	/	/	/	4.12
T.624B.10.0200.0XX.XX.02	200	70	2700	/	80	/	4.12
		70	3000	/	/	/	4.12
		70	4000/5000	/	/	/	4.12
T.624B.10.0225.0XX.XX.02	225	70	2700	80	/	/	4.12
		70	3000	/	80	/	4.12
		70	4000/5000	/	/	/	4.12
T.624B.10.0240.0XX.XX.02	240	70	2700	80	/	/	4.12
		70	3000	/	80	/	4.12
		70	4000/5000	/	/	/	4.12

Remark: ".140XX." for light distribution 140°*55°/140°*85°,".XX." for CCT 2700K/3000K/4000K/5000K,example light distribution 140°*55°、 CCT 3000K, then full name is "T.624B.10.0180.14055.W3.02".

Mounting hole:





LED GARDEN LIGHT

LED Garden Light

R.4002

R. 4002 integrates smart lighting, monitor, WIFI, projection, and other functions, equipped with smart control system, which can achieve interconnection and real-time online management of all modules. Modular structure design allows for flexible selection of required modules based on actual needs. Standardized interface, two module interfaces can be connected to installation, addition and replacement, making maintenance more convenient and safe. Adopting high-strength aluminum alloy profiles and special spraying treatment process, it is resistant to impact and aging. Smart lighting includes functional and decorative lighting, and functional lighting can illuminate the road.



Product Description

- Watts: 20W-320W
- Standard color temperature(C.C.T.): 2700K、3000K、4000K、5000K
- Light distribution: 25°、40°、60°、140°、Type2、Type3
- Each module can rotate horizontally and illuminate different areas
- IP65 waterproof and dustproof structure sealing design
- IK09 anti-collision performance
- Positive surge protection performance and over voltage, over temperature, over power, short circuit protection

Components Choosable

- Dimming driver
- Optical controller
- Nema, Zhaga and other standard interface sockets
- Single lamp single control
- Surge Protective Device



Optional lighting mode



Optional monitoring mode



Optional monitoring mode

Each module can rotate horizontally and illuminate different areas

More modes available



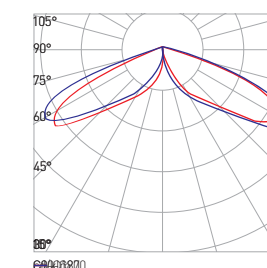
AC90V~305V 50/60Hz 3030(16 in 1) IP65

Model	Power (W)	CRI	LED QTY (pcs)	Efficiency(lm/w) -2200K	Efficiency(lm/w) -2700K	Efficiency(lm/w) -3000K	Efficiency(lm/w) -4000K/5000K
R.4002A.31.0032	32	70	64	82	95	105	110

Audio(Max.W)	45
WIFI(Max.W)	25
Pole diameter	Ø200mm
Pole height	3000mm / 3500mm / 4000mm
Pole weight	400kg / 470kg / 545kg
Body material	Q235 / PC
Rated power	AC90V~305V 50/60Hz
Control solution	Monochrome always light or 0-10V dimming
Optics	140°
LED model	3030 LED
Light source lifespan	50000 hours lifespan L70 @ Ta 40°C
safety class	Class I
IP	IP 65
Vibration level	1.5G
Anti-collision level	IK 09
Corrosion protection level	WF 2
Ambient temperature	-20°C~40°C
Ambient humidity	10%~90%RH



Light distribution:

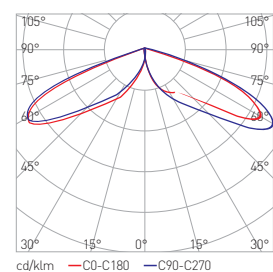


AC90V~305V 50/60Hz 3030(16 in 1) IP65

Model	Power (W)	CRI	LED QTY (pcs)	Efficiency(lm/w) -2200K	Efficiency(lm/w) -2700K	Efficiency(lm/w) -3000K	Efficiency(lm/w) -4000K/5000K
R.4002B.31.0032	32	70	64	82	95	105	110

Ambient lighting watts	10W
Ambient lighting color	Blue / Yellow / White
Projection(Max.W)	50
Audio(Max.W)	45
Pole diameter	Ø200mm
Pole height	3000mm / 3500mm / 4000mm
Pole weight	400kg / 470kg / 545kg
Body material	Q235 / PC
Rated power	AC90V~305V 50/60Hz
Control solution	Monochrome always light or 0-10V dimming
Optics	140°
LED model	3030 LED
Light source lifespan	50000 hours lifespan L70 @ Ta 40°C
safety class	Class I
IP	IP 65
Vibration level	1.5G
Anti-collision level	IK 09
Corrosion protection level	WF 2
Ambient temperature	-20°C~40°C
Ambient humidity	10%~90%RH

Light distribution:

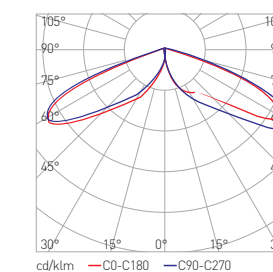


AC90V~305V 50/60Hz 3030(16 in 1) IP65

Model	Power (W)	CRI	LED QTY (pcs)	Efficiency(lm/w) -2200K	Efficiency(lm/w) -2700K	Efficiency(lm/w) -3000K	Efficiency(lm/w) -4000K/5000K
R.4002C.31.0032	32	70	64	82	95	105	110

Ambient lighting watts	10W
Ambient lighting color	Blue / Yellow / White
Audio(Max.W)	45
Monitor(Max.W)	20
One click alarm(Max.W)	15
Pole diameter	Ø200mm
Pole height	3000mm / 3500mm / 4000mm
Pole weight	400kg / 470kg / 545kg
Body material	Q235 / PC
Rated power	AC90V~305V 50/60Hz
Control solution	Monochrome always light or 0-10V dimming
Optics	Type 2 / Type 3
LED model	3030 LED
Light source lifespan	50000 hours lifespan L70 @ Ta 40°C
safety class	Class I
IP	IP 65
Vibration level	1.5G
Anti-collision level	IK 09
Corrosion protection level	WF 2
Ambient temperature	-20°C~40°C
Ambient humidity	10%~90%RH

Light distribution:

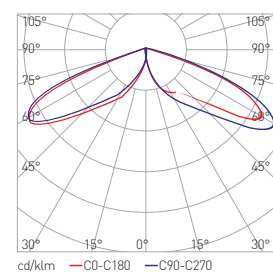


AC90V~305V 50/60Hz 3030(16 in 1) IP65

Model	Power (W)	CRI	LED QTY (pcs)	Efficiency(lm/w) -2200K	Efficiency(lm/w) -2700K	Efficiency(lm/w) -3000K	Efficiency(lm/w) -4000K/5000K
R.4002D.31.0032	32	70	64	82	95	105	110

Art lighting watts	28*3W
Art lighting color	Red / Orange / White
Pole diameter	Ø200mm
Pole height	3000mm / 3500mm / 4000mm
Pole weight	400kg / 470kg / 545kg
Body material	Q235 / PC
Rated power	AC90V~305V 50/60Hz
Control solution	Monochrome always light or 0-10V dimming
Optics	140°
LED model	3030 LED
Light source lifespan	50000 hours lifespan L70 @ Ta 40°C
safety class	Class I
IP	IP 65
Vibration level	1.5G
Anti-collision level	IK 09
Corrosion protection level	WF 2
Ambient temperature	-20°C~40°C
Ambient humidity	10%~90%RH

Light distribution:

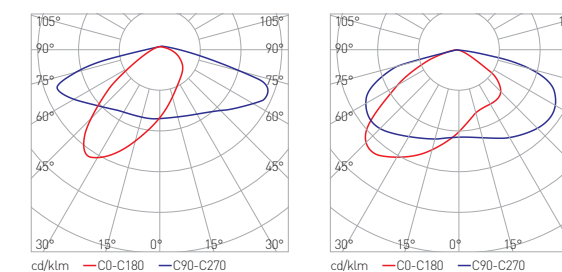


AC90V~305V 50/60Hz 3030(16 in 1) IP65

Model	Power (W)	CRI	LED QTY (pcs)	Efficiency(lm/w) -2200K	Efficiency(lm/w) -2700K	Efficiency(lm/w) -3000K	Efficiency(lm/w) -4000K/5000K
R.4002E.31.0032	32	70	64	82	95	105	110

Art lighting watts	20W
Art lighting color	Blue / Green / White
Monitor(Max.W)	20
Pole diameter	Ø200mm
Pole height	3000mm / 3500mm / 4000mm
Pole weight	400kg / 470kg / 545kg
Body material	Q235 / PC
Rated power	AC90V~305V 50/60Hz
Control solution	Monochrome always light or 0-10V dimming
Optics	Type 2 / Type 3
LED model	3030 LED
Light source lifespan	50000 hours lifespan L70 @ Ta 40°C
safety class	Class I
IP	IP 65
Vibration level	1.5G
Anti-collision level	IK 09
Corrosion protection level	WF 2
Ambient temperature	-20°C~40°C
Ambient humidity	10%~90%RH

Light distribution:



LED Garden Light

R.4003

The design of R. 4003 originates from a summary of the image of a standing person, achieving functional lighting for roads and squares with a simple design. Each module can rotate horizontally and illuminate different areas. Aluminum alloy body, spring mounted, convenient for the operation on-site. Fully utilize the pole resources, increase WIFI network function, avoid duplicate construction of smart cities, and save costs and resources.



Product Description

- Watts: 45W
- Standard color temperature(C.C.T.): 3000K、4000K、5000K
- Light distribution: 144° *43°
- Each module can rotate horizontally and illuminate different areas
- IP65 waterproof and dustproof structure sealing design
- IK09 anti-collision performance
- Positive surge protection performance and over voltage, over temperature, over power, short circuit protection

Components Choosable

- Dimming driver
- Optical controller
- Nema, Zhaga and other standard interface sockets
- Single lamp single control
- Surge Protective Device



Save costs and resources
Fully utilize the pole resources,
increase WIFI network function



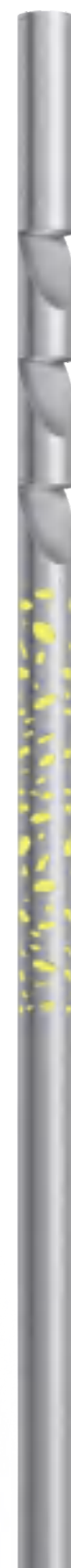
Easy installation
Spring type installation,
convenient for operate on-site



Flexible and convenient
Each module can rotate horizontally and illuminate different areas

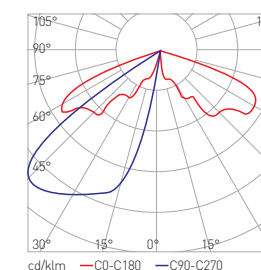
AC90V~305V 50/60Hz 3535(4 in 1) IP65

Model	Power (W)	CRI	LED QTY (pcs)	Efficiency(lm/w) -3000K	Efficiency(lm/w) -4000K/5000K
R.4003A.30.0045	3*15	70	3*4	60	63



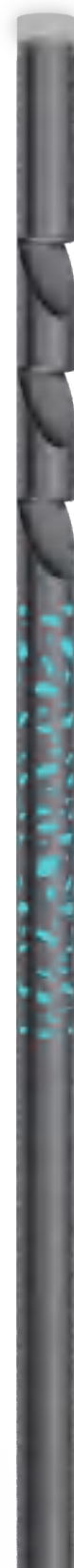
Art lighting watts	20W
Art lighting color	Blue / Yellow / White
Pole diameter	Ø120mm
Pole height	3500m
Pole weight	19kg
Body material	Aluminium alloy
Rated power	AC90V~305V 50/60Hz
Control solution	Monochrome always light or 0-10V dimming
Optics	144° *43°
LED model	3535 LED
Light source lifespan	50000 hours lifespan L70 @ Ta 40°C
safety class	Class I
IP	IP 65
Vibration level	1.5G
Anti-collision level	IK 09
Corrosion protection level	WF 2
Ambient temperature	-20°C~40°C
Ambient humidity	10%~90%RH

Light distribution:



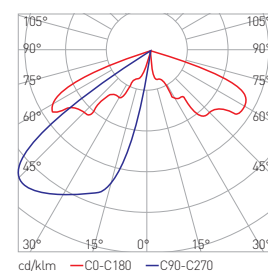
AC90V~305V 50/60Hz 3535(4 in 1) IP65

Model	Power (W)	CRI	LED QTY (pcs)	Efficiency(lm/w) -3000K	Efficiency(lm/w) -4000K/5000K
R.4003B.30.0045	3*15	70	3*4	60	63



Art lighting watts	20W
Art lighting color	Blue / Yellow / White
Ambient lighting watts	5W
Ambient lighting color	Blue / Yellow / White
Pole diameter	Ø120mm
Pole height	3500m
Pole weight	19kg
Body material	Aluminium alloy
Rated power	AC90V~305V 50/60Hz
Control solution	Monochrome always light or 0-10V dimming
Optics	144° *43°
LED model	3535 LED
Light source lifespan	50000 hours lifespan L70 @ Ta 40°C
safety class	Class I
IP	IP 65
Vibration level	1.5G
Anti-collision level	IK 09
Corrosion protection level	WF 2
Ambient temperature	-20°C~40°C
Ambient humidity	10%~90%RH

Light distribution:



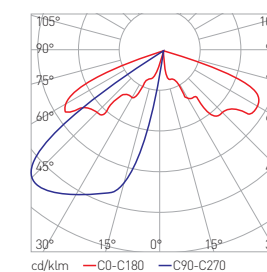
AC90V~305V 50/60Hz 3535(4 in 1) IP65

Model	Power (W)	CRI	LED QTY (pcs)	Efficiency(lm/w) -3000K	Efficiency(lm/w) -4000K/5000K
R.4003C.30.0045	3*15	70	3*4	60	63



Pole diameter	Ø120mm
Pole height	3500m
Pole weight	19kg
Body material	Aluminium alloy
Rated power	AC90V~305V 50/60Hz
Control solution	Monochrome always light or 0-10V dimming
Optics	144° *43°
LED model	3535 LED
Light source lifespan	50000 hours lifespan L70 @ Ta 40°C
safety class	Class I
IP	IP 65
Vibration level	1.5G
Anti-collision level	IK 09
Corrosion protection level	WF 2
Ambient temperature	-20°C~40°C
Ambient humidity	10%~90%RH

Light distribution:

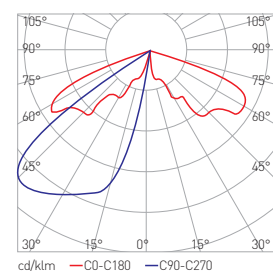


AC90V~305V 50/60Hz 3535(4 in 1) IP65

Model	Power (W)	CRI	LED QTY (pcs)	Efficiency(lm/w) -3000K	Efficiency(lm/w) -4000K/5000K
R.4003D.30.0045	3*15	70	3*4	60	63

Ambient lighting watts	5W
Ambient lighting color	Blue / Yellow / White
Pole diameter	Ø120mm
Pole height	3500mm
Pole weight	19kg
Body material	Aluminium alloy
Rated power	AC90V~305V 50/60Hz
Control solution	Monochrome always light or 0-10V dimming
Optics	144° *43°
LED model	3535 LED
Light source lifespan	50000 hours lifespan L70 @ Ta 40°C
safety class	Class I
IP	IP 65
Vibration level	1.5G
Anti-collision level	IK 09
Corrosion protection level	WF 2
Ambient temperature	-20°C~40°C
Ambient humidity	10%~90%RH

Light distribution:



LED Garden Light

R.4004

The design inspiration of R. 4004 comes from the growth of trees, with elegant design that is highly beautiful. High strength aluminum alloy body. Different heights and watts can be customized according to different applications. The side equipped with RGBW light strips to enhance the environment and make it not boring.



Product Description

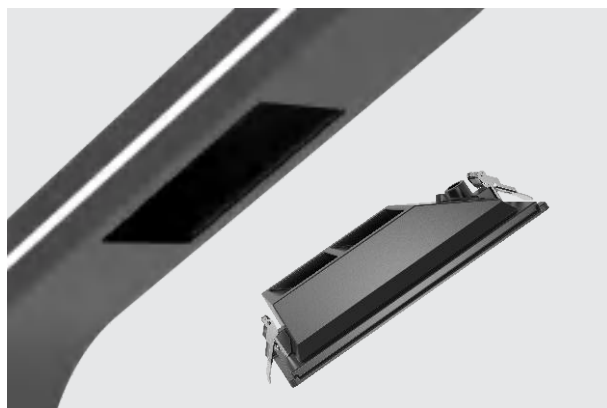
- Watts: 30W、 60W
- Standard color temperature(C.C.T.): 3000K、 4000K、 5000K
- Light distribution:130° *80°
- With glass cover, optical distribution with reflector,high light efficiency, no glare
- IP65 waterproof and dustproof structure sealing design
- IK09 anti-collision performance
- Positive surge protection performance and over voltage, over temperature, over power,short circuit protection

Components Choosable

- Dimming driver
- Optical controller
- Nema,Zhaga and other standard interface sockets
- Single lamp single control
- Surge Protective Device

Light emitting area

With glass cover, optical distribution with reflector
High light efficiency, no glare



Easy installation

Spring type installation,
convenient for operate
on-site .

Smart lighting

Can add single light controller to
control the light

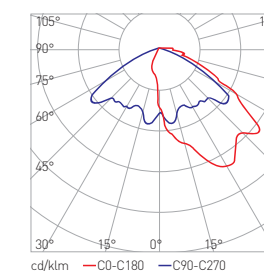


AC90V~305V 50/60Hz 3030(16 in 1) IP65

Model	Main light power (W)	Auxiliary light power (W)	CRI	LED QTY (pcs)	Efficiency(lm/w) -3000K	Efficiency(lm/w) -4000K/5000K
R.4004A.30.0045	30	15	70	96	105	110

Decorative light strip watts	80W
Decorative light strip color	Blue / White
Section size	150*170mm
Pole height	4350mm
Pole weight	85kg
Body material	Aluminium alloy
Rated power	AC90V~305V 50/60Hz
Control solution	Monochrome always light or 0-10V dimming
Optics	130° *80°
LED model	3030 LED
Light source lifespan	50000 hours lifespan L70 @ Ta 40°C
safety class	Class I
IP	IP 65
Vibration level	1.5G
Anti-collision level	IK 09
Corrosion protection level	WF 2
Ambient temperature	-20°C~40°C
Ambient humidity	10%~90%RH

Light distribution:



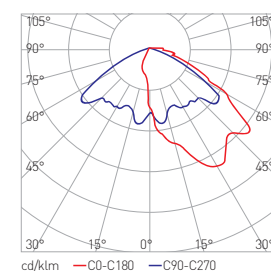
AC90V~305V 50/60Hz 3030(16 in 1) IP65

Model	Main light power (W)	Auxiliary light power (W)	CRI	LED QTY (pcs)	Efficiency(lm/w) -3000K	Efficiency(lm/w) -4000K/5000K
R.4004B.30.0090	60	30	70	144	105	110



Decorative light strip watts	80W
Decorative light strip color	Blue / White
Section size	150*170mm
Pole height	7500mm
Pole weight	150kg
Body material	Aluminium alloy
Rated power	AC90V~305V 50/60Hz
Control solution	Monochrome always light or 0-10V dimming
Optics	130° *80°
LED model	3030 LED
Light source lifespan	50000 hours lifespan L70 @ Ta 40°C
safety class	Class I
IP	IP 65
Vibration level	1.5G
Anti-collision level	IK 09
Corrosion protection level	WF 2
Ambient temperature	-20°C~40°C
Ambient humidity	10%~90%RH

Light distribution:



LED Garden Light

R.4005

R. 4005 is a simple and beautiful garden light, widely used in parks, residential communities, gardens, commercial streets, tourist areas, and other places. High grade ADC12 aluminum material, integrated die-casting molding, sturdy and sturdy. The lamp surface treated with spray coating process which can resistant 500 hours salt corrosion, also can effectively resist ultraviolet radiation and harsh environmental corrosion.



Product Description

- Watts: 35W
- Standard color temperature(C.C.T.): 2200K、 2700K、 3000K、 4000K、 5000K
- Light distribution:115°
- Professional optics, against aging, against yellowing and positive weather resistance.
- IP66 waterproof and dustproof structure sealing design
- IK09 anti-collision performance
- Positive surge protection performance and over voltage, over temperature, over power,short circuit protection

Components Choosable

- Dimming driver
- Optical controller
- Nema,Zhaga and other standard interface sockets
- Single lamp single control
- Surge Protective Device



High quality die-cast aluminum body

High grade ADC12 aluminum material, sturdy and sturdy
Integrated die-casting, waterproof up to IP65, durable and stable

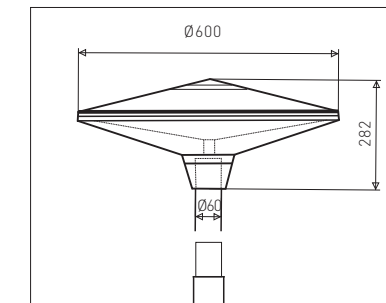
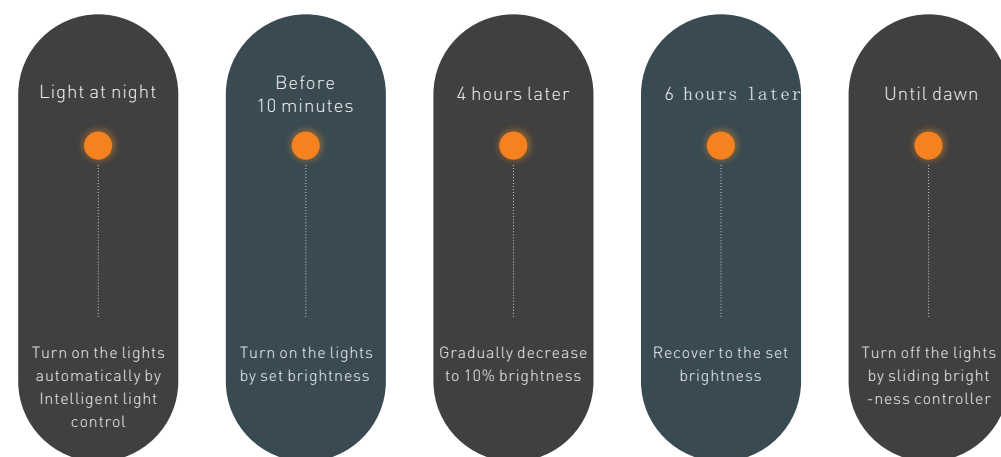


Self-cleaning

Conical shape, smooth surface, avoiding dust layer, fallen leaves, and rainwater accumulation, with ideal self-cleaning function.

Intelligent split control/segmented time sharing

Lamp can adjust the brightness automatically based on the time



AC90V~305V 50/60Hz 3030(16 in 1) IP66

Light Model	Power (W)	CRI	LED QTY (pcs)	CCT (K)	Efficiency (lm/w)
R.4005A.30.0035	35W	80	168	2200	61
		80	168	2700	73
		70	168	3000	83
		70	168	4000/5000	85

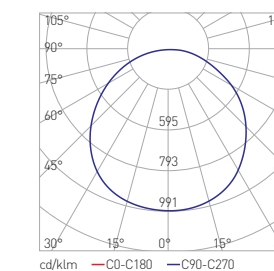
Pole specification

Pole diameter	Top Ø60mm · Bottom Ø127mm
Flange size	240*240*20mm
Pole height	3000mm / 3500mm / 4000mm
Pole weight	12kg / 13.5kg / 15kg
Pole material	Aluminium alloy
Corrosion protection level	WF 2
Chute	single/double sided

Lamp specification

Body material	Aluminium alloy / PC
Rated power	AC90V~305V 50/60Hz
Control solution	Monochrome always light or 0-10V dimming
Optics	115°
LED model	3030 LED
Light source lifespan	50000 hours lifespan L70 @ Ta 40°C
safety class	Class I
IP	IP 66
Vibration level	1.5G
Anti-collision level	IK 09
Corrosion protection level	WF 2
Ambient temperature	-20°C~40°C
Ambient humidity	10%~90%RH

Light distribution:



LED Garden Light

R.4006

The R. 4006 series is an ultra-thin LED lamp with smooth surface and self-cleaning function. PC visor protects the light-emitting area. The optical cavity and electrical cavity are separate, and the heat does not affect each other. The electrical cavity no need tools to open, it is easy to install and maintenance. NEMA interfaces can be configured according to customer requirements to intelligent control. Widely used in parks, pedestrian streets, and tourist attractions.



Product Description

- Watts: 30W、50W、75W
- Standard color temperature(C.C.T.): 2200K、2700K、3000K、4000K、5000K
- Light distribution: Type 2、Type 3、Type 4
- PE housing and ultra white tempered glass provide comprehensive protection against the impact of the environment on optical and electronic components.
- IP66 waterproof and dustproof structure sealing design
- IK09 anti-collision performance
- Positive surge protection performance and over voltage, over temperature, over power, short circuit protection

Components Choosable

- Dimming driver
- Optical controller
- Nema, Zhaga and other standard interface sockets
- Single lamp single control
- Surge Protective Device

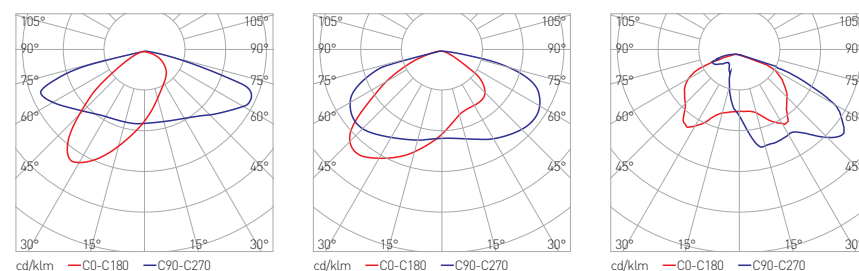
AC90V~305V 50/60Hz 3030(16 in 1) IP66 (Light distribution : Type2/Type3/Type4)

Light Model	Power (W)	CRI	LED QTY (pcs)	CCT (K)	Efficiency (lm/w)
R.4006A.10.0030	30	80	64	2200	100
		80	64	2700	120
		70	64	3000	136
		70	64	4000/5000	140
R.4006A.10.0050	50	80	96	2200	100
		80	96	2700	120
		70	96	3000	136
		70	96	4000/5000	140
R.4006A.10.0075	75	80	144	2200	100
		80	144	2700	120
		70	144	3000	136
		70	144	4000/5000	140

Lamp specification

Body material	Aluminium alloy / PC
Rated power	AC90V~305V 50/60Hz
Control solution	Monochrome always light or 0-10V dimming
Optics	Type 2 / Type 3 /Type 4
LED model	3030 LED
Light source lifespan	50000 hours lifespan L70 @ Ta 40°C
safety class	Class I
IP	IP 66
Vibration level	1.5G
Anti-collision level	IK 09
Corrosion protection level	WF 2
Ambient temperature	-20°C~40°C
Ambient humidity	10%~90%RH

Light distribution:



Pole specification

Pole diameter	Pole200*200mm, Bracket100*100mm (3500mm/4000mm/5000mm) / Pole250*250mm, Bracket120*120mm (8000mm)
Section size	380*380*16mm
Pole height	3500mm / 4000mm / 5000mm / 6000mm / 8000mm
Pole weight	54kg / 59kg / 64kg / 74kg / 113kg
Pole material	Q235
Corrosion protection level	WF 2
Chute	single/double sided



LED Garden Light

R.4007

R. 4007 series is a simple and lively garden lamp, which can also be used for lighting in the street. With face down lighting and internal transparency allows for the same color at night and day. This product is applied to places such as landscaping, commercial streets, residential areas, villa areas, public squares, and tourist attractions.



Product Description

- Watts: 25W、50W、75W
- Standard color temperature(C.C.T.): 2200K、2700K、3000K、4000K、5000K
- Light distribution: Type 2、Type 3、Type 4、Type 5
- PE housing and ultra white tempered glass provide comprehensive protection against the impact of the environment on optical and electronic components.
- IP65 waterproof and dustproof structure sealing design
- IK09 anti-collision performance
- Positive surge protection performance and over voltage, over temperature, over power, short circuit protection

Components Choosable

- Dimming driver
- Optical controller
- Nema, Zhaga and other standard interface sockets
- Single lamp single control
- Surge Protective Device

Two mounting methods

Different mounting methods based on different rod types.



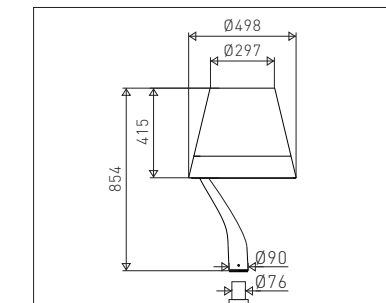
Application flexible

Multiple colors and rod shapes for selection, meeting various applications.



Lighting effects

With face down lighting and internal transparency allows for the same color at night and day.



AC90V~305V 50/60Hz 3030(16 in 1) IP65 (Light distribution : Type2/Type3/Type4)

Light Model	Power (W)	Ambient lighting Power(W)	CRI	LED QTY (pcs)	CCT (K)	Efficiency (lm/w)
R.4007A.10.0025	25	35	80	32	2700	108
			70	32	3000	120
			70	32	4000/5000	126
R.4007A.10.0050	50	35	80	48	2700	108
			70	48	3000	120
			70	48	4000/5000	126
R.4007A.10.0075	75	35	80	72	2700	108
			70	72	3000	120
			70	72	4000/5000	126

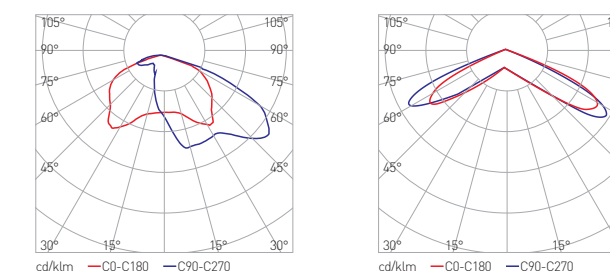
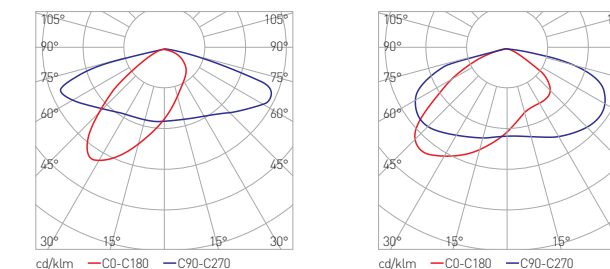
Pole specification

Pole diameter	TopØ76mm, BottomØ127mm
Pole height	3000mm/3500mm/4000mm/4500mm/5000mm
Pole weight	12kg / 13.5kg / 15kg / 16.5kg / 18kg
Pole material	Aluminium alloy
Corrosion protection level	WF 2
Chute	single/double sided

Lamp specification

Body material	Aluminium alloy + PE
Rated power	AC90V~305V 50/60Hz
Control solution	Monochrome always light or 0-10V dimming
Optics	Type2 / Type3 / Type4 / Type5
LED model	3030 LED
Light source lifespan	50000 hours lifespan L70 @ Ta 40°C
safety class	Class I
IP	IP 65
Vibration level	1.5G
Anti-collision level	IK 09
Corrosion protection level	WF 2
Ambient temperature	-20°C~40°C
Ambient humidity	10%~90%RH

Light distribution:



LED Garden Light

R.4010

R. 4010 is made of Q235 material, with a surface hot-dip galvanized and sprayed. LED module use international famous brand. Light distribution is composed of optical components of a dual reflector, which is more scientific and with good anti glare performance.



Product Description

- Watts: 30W、45W、60W、90W
- Standard color temperature(C.C.T.): 3000K、4000K、5000K
- Light distribution: 130° *80°
- Glass light emitting surface, optical distribution with reflector, precise light control, no glare
- IP65 waterproof and dustproof structure sealing design
- IK09 anti-collision performance
- Positive surge protection performance and over voltage, over temperature, over power,short circuit protection

Components Choosable

- Dimming driver
- Optical controller
- Nema,Zhaga and other standard interface sockets
- Single lamp single control
- Surge Protective Device

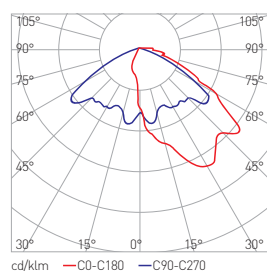
AC90V~305V 50/60Hz 3030(16 in 1) IP65

Model	Main light power (W)	CRI	LED QTY (pcs)	Efficiency(lm/w) -3000K	Efficiency(lm/w) -4000K/5000K
R.4010A.31.0030	30	70	48	105	110
R.4010A.31.0060	60	70	96	105	110

Pole diameter	160*80*3.5mm
Pole height	4000mm / 6000mm / 8000mm
Pole weight	105kg / 140kg / 185kg
Body material	Q235
Rated power	AC90V~305V 50/60Hz
Control solution	Monochrome always light or 0-10V dimming
Optics	130° *80°
LED model	3030 LED
Light source lifespan	50000 hours lifespan L70 @ Ta 40°C
safety class	Class I
IP	IP 65
Vibration level	1.5G
Anti-collision level	IK 09
Corrosion protection level	WF 2
Ambient temperature	-20°C~40°C
Ambient humidity	10%~90%RH



Light distribution:



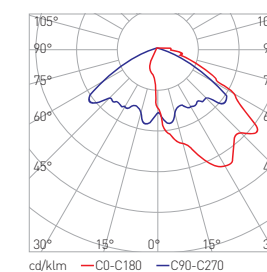
AC90V~305V 50/60Hz 3030(16 in 1) IP65

Model	Main light power (W)	Auxiliary light power (W)	CRI	LED QTY (pcs)	Efficiency(lm/w) -3000K	Efficiency(lm/w) -4000K/5000K
R.4010B.31.0045	30	15	70	96	105	110
R.4010B.31.0090	60	30	70	144	105	110

Section size	160*80*3.5mm
Pole height	4000mm / 6000mm / 8000mm
Pole weight	116kg / 152kg / 195kg
Body material	Q235
Rated power	AC90V~305V 50/60Hz
Control solution	Monochrome always light or 0-10V dimming
Optics	130° *80°
LED model	3030 LED
Light source lifespan	50000 hours lifespan L70 @ Ta 40°C
safety class	Class I
IP	IP 65
Vibration level	1.5G
Anti-collision level	IK 09
Corrosion protection level	WF 2
Ambient temperature	-20°C~40°C
Ambient humidity	10%~90%RH



Light distribution:



LED Garden Light

CHIRON R.3214 SERIES

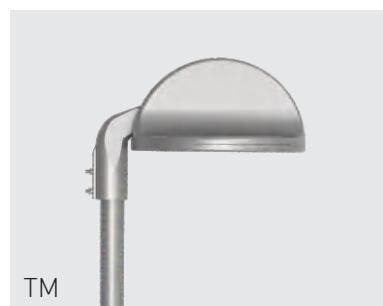
CHIRON R.3214 series is originally designed by Danish lighting design master with freehand drawing ,which breaks through the traditional design concept , with bold and innovative idea ,no screw on surface.By combination of different application places and different installation modes to provide different shape and effect;The innovative and high flexible lighting system could cover all P type and V type roads ,which is widely used in landscaping ,commercial street, residential areas, villas,public squares and other places.



PE 1



PE 2



TM



SM



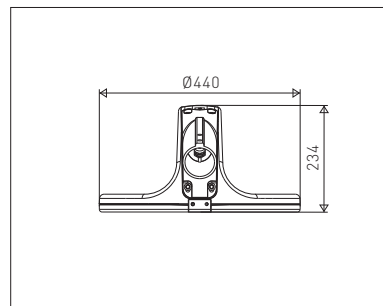
CM

Product Description

- Watts: 30W、50W、75W、100W
- Standard color temperature(C.C.T.): 3000K、4000K、5000K
- Light distribution: Type 2、 Type 3、 Type 4
- High standard ADC12 Aluminum, integrated die- casting technology
- High light transmittance ultra-white taughed glass light transmittance up to 92%
- The whole lamp is with IP 66 waterproof and dust-proof design[No glue and IK 09 protective design
- Power off protector power off once open ,safe and reliable

Components Choosable

- Falling prevention safety rope
- Power off protector
- Single light control
- Type 5 Light distribution available



AC90V~305V 50/60Hz 5050(8 in 1) IP66 (Light distribution : Type2/Type3/Type4)

Light Model	Power (W)	CRI	LED QTY (pcs)	CCT (K)	Efficiency (lm/w)
R.3214A.10.0030	30	70	32	3000	135
		70	32	4000/5000	141
R.3214A.10.0050	50	70	48	3000	135
		70	48	4000/5000	141
R.3214A.10.0075	75	70	64	3000	135
		70	64	4000/5000	141
R.3214A.10.0100	100	70	64	3000	133
		70	64	4000/5000	138

AC90V~305V 50/60Hz 3030(16 in 1) IP66 (Light distribution : Type2/Type3/Type4)

Light Model	Power (W)	CRI	LED QTY (pcs)	CCT (K)	Efficiency (lm/w)
R.3214B.10.0030	30	70	64	3000	125
		70	64	4000/5000	130
R.3214B.10.0050	50	70	96	3000	122
		70	96	4000/5000	128
R.3214B.10.0075	75	70	128	3000	121
		70	128	4000/5000	126
R.3214B.10.0100	100	70	128	3000	116
		70	128	4000/5000	121

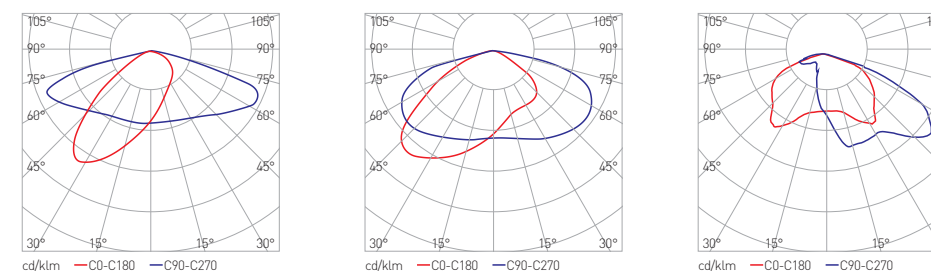
Pole specification

Pole height	3000mm / 3500mm / 4000mm	6000mm	8000mm
Pole diameter	TopØ76mm, BottomØ127mm	TopØ76mm, BottomØ140mm	TopØ76mm, BottomØ165mm
Pole weight	12kg / 13.5kg / 15kg	57kg	90kg
Pole material	Aluminium alloy	Carbonic steel	Carbonic steel
Flange size	240*240*20mm	320*320*16mm	320*320*16mm

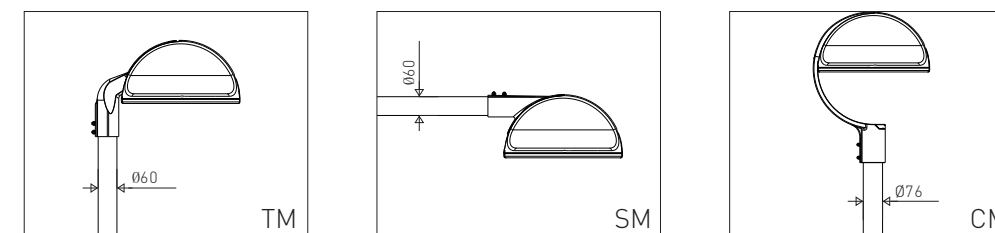
Lamp specification

Body material	8.5kg
Rated power	Aluminum die-casting+PC
Control solution	AC90V~305V 50/60Hz
Optics	Monochrome always light or 0-10V dimming
LED model	Type2 / Type3 / Type4
Light source lifespan	50000 hours lifespan L70 @ Ta 40°C
safety class	Class I
IP	IP 66
Vibration level	3G
Anti-collision level	IK 09
Corrosion protection level	WF 2
Ambient temperature	-20°C~40°C
Ambient humidity	10%~90%RH

Light distribution:



Pole diameter:



LED Garden Light

R.4401

R. 4010 is made of aluminum alloy, with a surface hot-dip galvanized and sprayed. LED module use international famous brand. Light distribution is composed of optical components of a dual reflector, which is more scientific and with good anti glare performance.



Product Description

- Watts: 30W、45W、60W、90W
- Standard color temperature(C.C.T.): 3000K、4000K、5000K
- Light distribution: 130° *80°
- Glass light emitting surface, optical distribution with reflector, precise light control, no glare
- IP65 waterproof and dustproof structure sealing design
- IK09 anti-collision performance
- Positive surge protection performance and over voltage, over temperature, over power, short circuit protection

Components Choosable

- Dimming driver
- Optical controller
- Nema,Zhaga and other standard interface sockets
- Single lamp single control
- Surge Protective Device

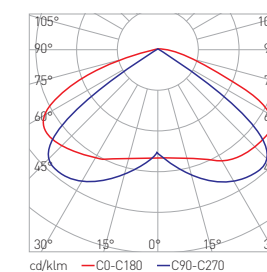
AC90V~305V 50/60Hz 3030(16 in 1) IP65

Model	Power (W)	CRI	LED QTY (pcs)	Efficiency(lm/w) -3000K	Efficiency(lm/w) -4000K/5000K	Efficiency(lm/w) -3000K	Efficiency(lm/w) -4000K/5000K
R.4401A.30.0030	30	70	32	88	105	118	112



Section size	3000*200*100mm
Pole height	3000mm
Pole weight	15.5kg
Body material	Aluminium alloy
Rated power	AC90V~305V 50/60Hz
Control solution	Monochrome always light or 0-10V dimming
Optics	130° *80°
LED model	3030 LED
Light source lifespan	50000 hours lifespan L70 @ Ta 40°C
safety class	Class I
IP	IP 65
Vibration level	1.5G
Anti-collision level	IK 09
Corrosion protection level	WF 2
Ambient temperature	-20°C~40°C
Ambient humidity	10%~90%RH

Light distribution :





LED LAWN LIGHT

LED Lawn Light

CRIUS LA.5010

CRIUS LA.5010 is a simple and fashionable lawn lamp, made of 6063 aluminum profile, which is waterproof, rust resistant, and durable. The conical design with smooth surface, avoid the gathering of dust, fallen leaves, and rainwater. Rainwater can be flow smoothly from any direction. The unique design and soft lighting take safety and beauty to the urban green landscape. LA.5010 widely used in parks, garden villas, commercial pedestrian streets, tourist areas, and other places.



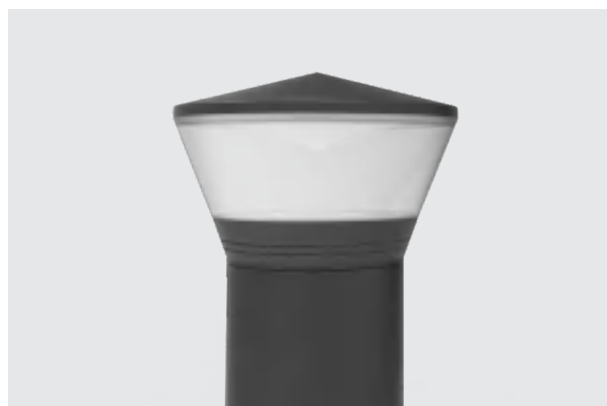
Product Description

- LA.5010 is a simple and fashionable lawn lamp
- Widely used in parks, garden villas, commercial pedestrian streets, tourist areas, and other places.
- The unique design and soft lighting take safety and beauty to the urban green landscape
- Brand LED chips, high brightness, strong color rendering, and super energy-saving
- High transmittance PC visor with soft light output
- IP54 waterproof and dustproof structure design(no gluing), 1k09 anti-collision design
- Unaided operation without tools



High transmittance PC visor

PC visor with soft light output, transmittance up to 86%



Self-cleaning

Conical shape, smooth surface, avoiding dust layer, fallen leaves, and rainwater accumulation, with ideal self-cleaning function.



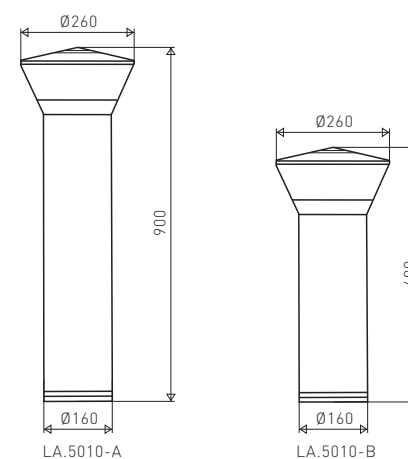
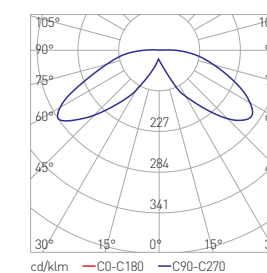
AC90V~305V 50/60Hz COB IP54

Model	Power (W)	CRI	LED QTY (pcs)	CCT (K)	Luminous Flux(lm)	Height (m)	Weight (kg)
LA.5010A.30.0018.152.XX.02.00900	18	70	1	3000	800	0.9	7.8
LA.5010B.30.0018.152.XX.02.00600	18	70	1	4000	850	0.6	5.6

Remark: "xx" for CCT 3000K/4000K, example 3000k, then full name is "LA.5010A.30.0018.152.W3.02.00900".

Section size	Ø260*Ø120mm
Body material	6063 aluminum profile
Rated power	AC90V~305V 50/60Hz
Control solution	Monochrome always light
Optics	152°
LED model	3030 LED
Light source lifespan	50000 hours lifespan L70 @ Ta 40°C
safety class	Class I
IP	IP 54
Vibration level	3G
Anti-collision level	IK 09
Corrosion protection level	WF 2
Ambient temperature	-20°C~40°C
Ambient humidity	10%~90%RH

Light distribution:



LED Lawn Light

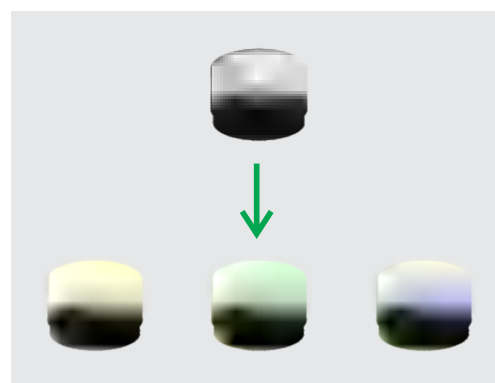
LA.5011

The design of LA.5011 is simple and modern, with modular design and multiple colors optional, suitable for different applications. Aluminum alloy body, spring mounted, it is convenient for on-site operation. LA.5011 widely used in parks, garden villas, commercial pedestrian streets, tourist areas, and other places.



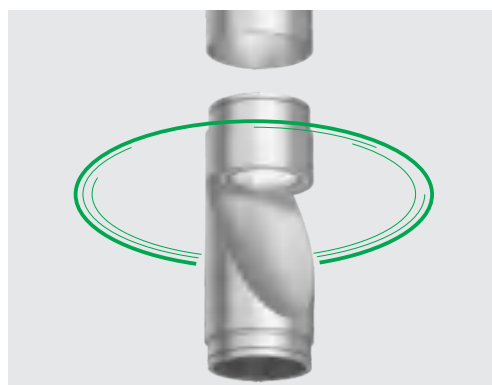
Product Description

- LA.5010 is a simple and fashionable lawn lamp
- Widely used in parks, garden villas, commercial pedestrian streets, tourist areas, and other places.
- The unique design and soft lighting take safety and beauty to the urban green landscape
- Brand LED chips, high brightness, strong color rendering, and super energy-saving
- Aluminum alloy body, spring mounted, it is convenient for on-site operation
- IP65 waterproof and dustproof structure design(no gluing), IK09 anti-collision design
- Unaided operation without tools



Ambient lighting
The color is optional, LED module can rotate 360°, which makes it more flexible for on-site applications

Application flexible
LED module can rotate 360°, which makes it more flexible for on-site applications.



Reliable and durable
Aluminum alloy body, spring mounted, it is convenient for on-site operation



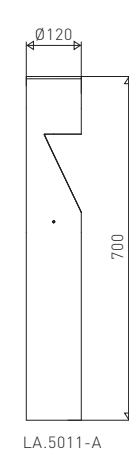
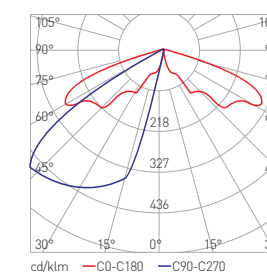
AC90V~305V 50/60Hz COB IP65

Model	Power (W)	Ambient lighting Power(W)	LED QTY (pcs)	CCT (K)	Efficiency (lm/w)	Height (m)	Weight (kg)
LA.5011A.30.0015.14443.XX.02.00700	15	no	4	2200/2700/3000/4000/5000	47/56/60/63	0.7	3.8
LB.5011B.30.0015.14443.XX.02.00750	15	5	4	2200/2700/3000/4000/5000	47/56/60/63	0.75	4.2

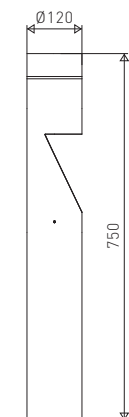
Remark: "xx" for CCT 2200K/2700K/3000K/4000K/5000K, example 3000k, then full name is "LA.5011A.30.0015.14443.W3.02.00700".

Pole diameter	Ø120mm
Body material	6063 aluminum profile
Rated power	AC90V~305V 50/60Hz
Control solution	Monochrome always light
Optics	144°x43°
LED model	3535 LED
Light source lifespan	50000 hours lifespan L70 @ Ta 40°C
safety class	Class I
IP	IP 65
Vibration level	3G
Anti-collision level	IK 09
Corrosion protection level	WF 2
Ambient temperature	-20°C~40°C
Ambient humidity	10%~90%RH

Light distribution:



LA.5011-A

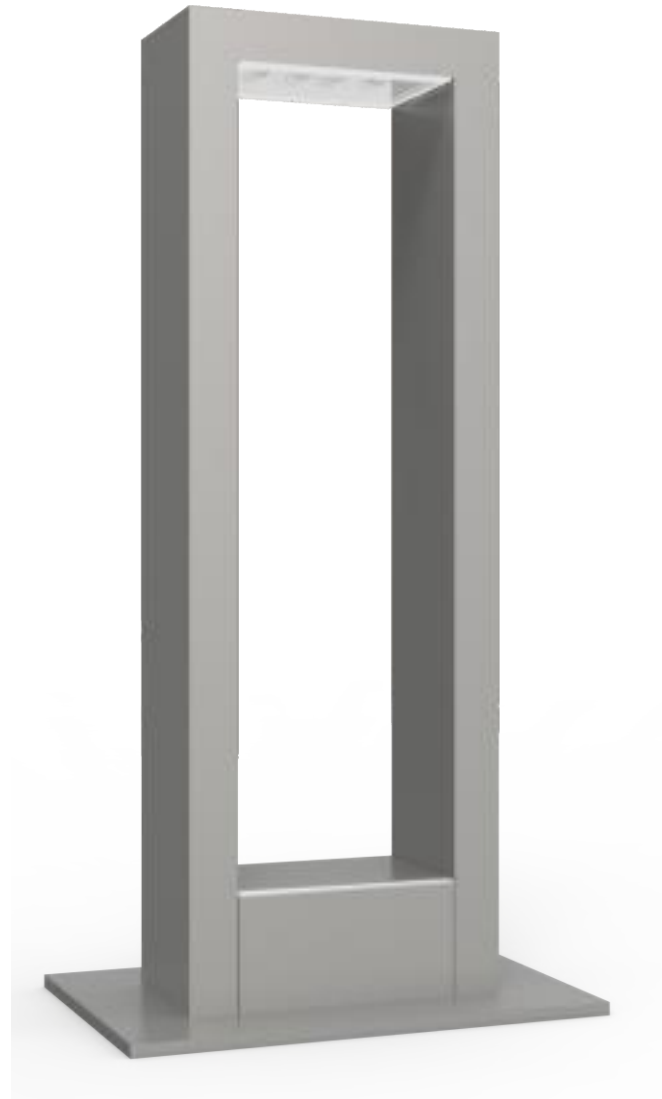


LA.5011-B

LED Lawn Light

LA.5401

LA.5401 is a simple and fashionable lawn product with smooth surface, avoid the gathering of dust, fallen leaves, and rainwater. Rainwater can be flow smoothly from any direction. The unique design and soft lighting take safety and beauty to the urban green landscape. LA.5010 widely used in parks, garden villas, commercial pedestrian streets, tourist areas, and other places.



LA.5401A

AC90V~305V 50/60Hz 3030(16合1) IP65

Model	Power (W)	CRI	LED QTY (pcs)	CCT (K)	Efficiency (lm/w)	Height (m)	Weight (kg)
LA.5401A.30.0010.13080.XX.02.00600	10	70	16	2200/2700/3000/4000/5000	96/95/120/125	0.6	4.1

Remark: "xx" for CCT 2200K/2700K/3000K/4000K/5000K, example 3000k, then full name is "LA.5401A.30.0010.13080.W3.02.00600".

Pole size	600*200*100mm
Body material	Aluminum alloy
Rated power	AC90V~305V 50/60Hz
Control solution	Monochrome always light or 0-10V dimming
Optics	144°x43°
LED model	3535 LED
Light source lifespan	50000 hours lifespan L70 @ Ta 40°C
safety class	Class I
IP	IP 65
Vibration level	3G
Anti-collision level	IK 09
Corrosion protection level	WF 2
Ambient temperature	-20°C~40°C
Ambient humidity	10%~90%RH

Light distribution:

