



Features

- CHIRON R.3252 series street lamp has 5 kinds of specification shell to choose from, the appearance is simple, the module type light source can achieve 30W to 300W full power segment;
- Streamline modeling not only greatly reduces the wind resistance, but also can play the role of self-cleaning, is a cost-effective street lamp products;
- Module design, according to customer requirements design power, to meet the requirements of more occasions;
- The module is connected by the waterproof connector, and can be detachable in sections. The protection level of the independent cooling module and the power supply can reach Ip67;
- Surface using passivation + powder spray double treatment, prolong the life of lamps;
- Widely used in urban fast road section, main road, secondary road, road intersection, parking lot, public square, park and other places.

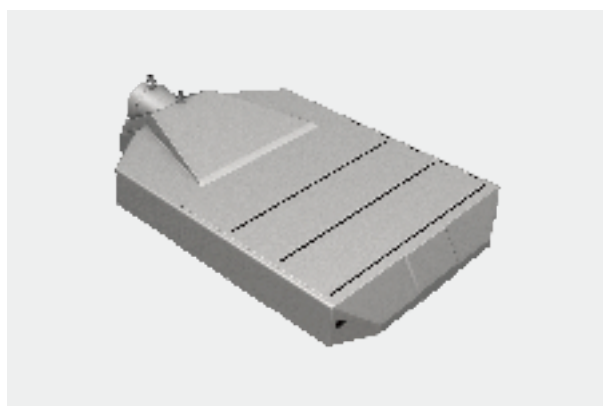


Module Light Source

Module design, power can be designed according to demand;
The module dissipates heat independently, and can be disassembled in sections through a waterproof joint.

Durable

Die-cast aluminum electrical box, end cover + aluminum alloy cover plate,
Surface passivation + dusting double treatment, strong corrosion resistance,
prolong the life of the lamp.



Technical Data -3252A

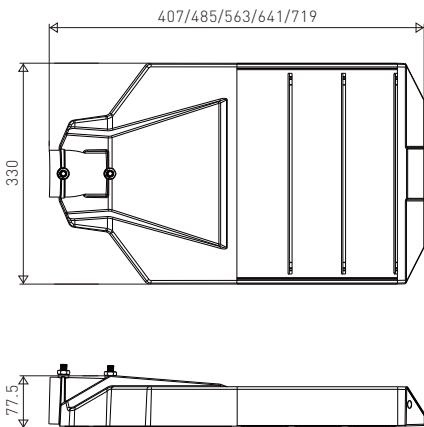
Model	R.3252A										
Rated Power	30W	40W	50W	60W	100W	120W	150W	180W	200W	240W	300W
Modules Type	5050	5050	5050	5050	5050	5050	5050	5050	5050	5050	5050
LED Modules	1	1	1	1	2	2	3	3	4	4	5
LED QTY	Lumileds	Lumileds	Lumileds	Lumileds	Lumileds	Lumileds	Lumileds	Lumileds	Lumileds	Lumileds	Lumileds
CRI	CRI ≥70	CRI ≥70	CRI ≥70	CRI ≥70	CRI ≥70	CRI ≥70	CRI ≥70	CRI ≥70	CRI ≥70	CRI ≥70	CRI ≥70
PF	≥0.9	≥0.9	≥0.9	≥0.9	≥0.9	≥0.9	≥0.9	≥0.9	≥0.9	≥0.9	≥0.9
Luminous Flux(3000K)	4530lm	5960lm	7250lm	8580lm	14900lm	17640lm	22650lm	26640lm	30400lm	35520lm	44400lm
Luminous Flux(4000K)	4680lm	6120lm	7450lm	8820lm	15300lm	18240lm	23100lm	27360lm	31000lm	36480lm	45600lm
Luminous Flux(5000K)	4680lm	6120lm	7450lm	8820lm	15300lm	18240lm	23100lm	27360lm	31000lm	36480lm	45600lm
Size	L407*W330*H77.5mm				L485*W330*H77.5mm		L563*W330*H77.5mm		L641*W330*H77.5mm		L719*W330*H77.5mm
Weight	4.0KG				4.8KG		5.6KG		6.4KG		7.2KG
Light Distribution	TYPE2										
Input Voltage	220VAC 50Hz										
SDCM	5-Step MacAdam										
THD	< 20%										
Control Mode	Single Color ON/OFF										
Material	Die - cast aluminum electrical box, end cover + aluminum alloy cover										
Lamp poles size	Ø60mm										
Installation depth of lamp pole	120mm										
Lifespan	≥50,000 hours L80 @ 40°C										
Ambient Temperature	-30°C ~+50°C										
Ambient humidity	10%~95%RH										
Vibration Level	3G (ANSI C136.31)										
Security Level	CLASS I										
Ingress Protection	IP65,IK09										
Anti-corrosion Grade	WF1										

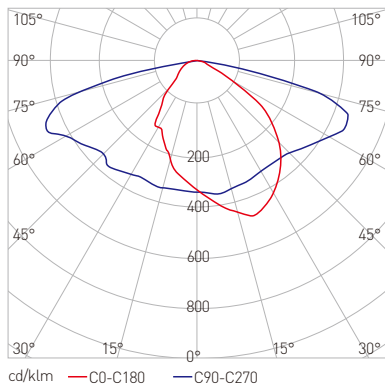
Technical Data-3252B

Model	R.3252B										
Rated Power	30W	40W	50W	60W	100W	120W	150W	180W	200W	240W	300W
Modules Type	3030	3030	3030	3030	3030	3030	3030	3030	3030	3030	3030
LED Modules	1	1	1	1	2	2	3	3	4	4	5
LED QTY	Lumileds	Lumileds	Lumileds	Lumileds	Lumileds	Lumileds	Lumileds	Lumileds	Lumileds	Lumileds	Lumileds
CRI	CRI ≥ 70	CRI ≥ 70	CRI ≥ 70	CRI ≥ 70	CRI ≥ 70	CRI ≥ 70	CRI ≥ 70	CRI ≥ 70	CRI ≥ 70	CRI ≥ 70	CRI ≥ 70
PF	≥ 0.9	≥ 0.9	≥ 0.9	≥ 0.9	≥ 0.9	≥ 0.9	≥ 0.9	≥ 0.9	≥ 0.9	≥ 0.9	≥ 0.9
Luminous Flux(3000K)	3600lm	4800lm	6000lm	7200lm	12000lm	14400lm	18000lm	21600lm	24000lm	28800lm	36000lm
Luminous Flux(4000K)	3888lm	5184lm	6480lm	7776lm	12960lm	15552lm	19440lm	23328lm	25920lm	31104lm	38880lm
Luminous Flux(5000K)	3888lm	5184lm	6480lm	7776lm	12960lm	15552lm	19440lm	23328lm	25920lm	31104lm	38880lm
Size	L407*W330*H77.5mm			L485*W330*H77.5mm			L563*W330*H77.5mm		L641*W330*H77.5mm		L719*W330*H77.5mm
Weight	4.0KG			4.8KG			5.6KG		6.4KG		7.2KG
Light Distribution	TYPE2										
Input Voltage	220VAC 50Hz										
SDCM	5-Step MacAdam										
THD	< 20%										
Control Mode	Single Color ON/OFF										
Material	Die - cast aluminum electrical box, end cover + aluminum alloy cover										
Lamp poles size	Ø60mm										
Installation depth of lamp pole	120mm										
Lifespan	≥ 50,000 hours L80 @ 40°C										
Ambient Temperature	-30°C ~ +50°C										
Ambient humidity	10%~95%RH										
Vibration Level	3G (ANSI C136.31)										
Security Level	CLASS I										
Ingress Protection	IP65,IK09										
Anti-corrosion Grade	WF1										

Product Size

Unit: mm





Encoding Rule

Example: R.3251A.10.0420.0T3.W5.02

Product Type	Product Code	Classification	Light Source	Rated Power	Light Distribution	Light Color	Input Voltage
R: Road Light	3251	A (5050) B (3030)	10: LED	0060: 60W 0100: 100W 0120: 120W 0150: 150W 0180: 180W 0200: 200W 0240: 240W 0300: 300W 0360: 360W 0420: 420W	0T2: TYPE2 0T3: TYPE3	22: 2200K 27: 2700K W3: 3000K W4: 4000K W5: 5000K	02: AC176V~265V

Accessories (Sold Separately) :



ALR

