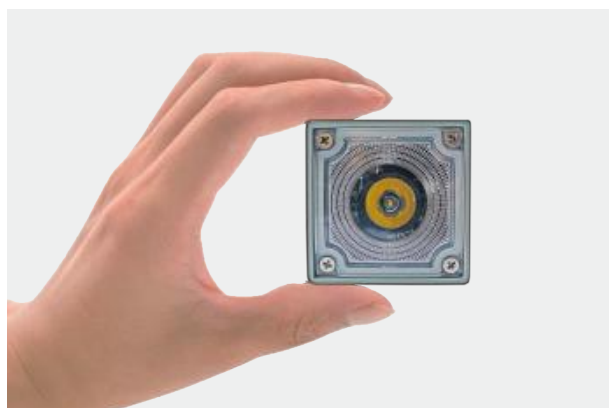




## Product features

- ARES F.371 is a small compact and stunning flood light, widely used in indoor and outdoor any lighting places;
- Brand LED chip design ,high brightness, strong color rendering, max 6W, super energy saving design, ultra high efficiency ,max 105lm/w achievable;
- High standard ADC12 Aluminum, integrated die- casting technology ensures it's strong and durable;
- Lamp body is with 500 hours anti-salt spray corrosion spraying treatment ,which can effectively resist UV and harsh environment corrosion;
- The surface is with electrostatic powder spraying, taking high transparent anti-glare PC cover, multiple beam angle and colors optional;
- Ingress protection : IP66.

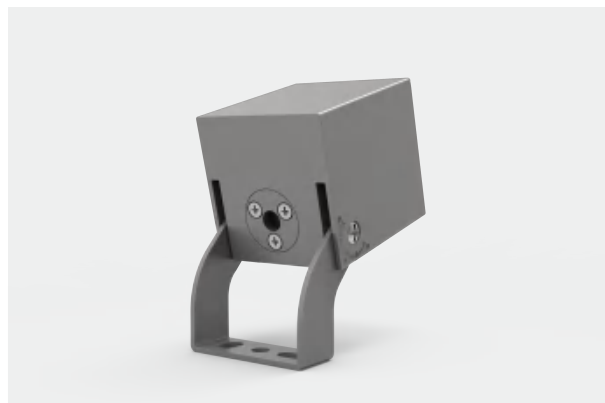


## Small structure

Good concealment

## Simple structure, good angularity

widely used in indoor and outdoor any lighting places



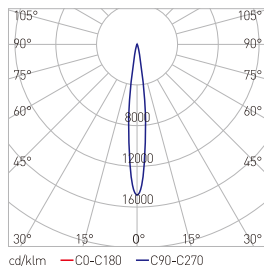
Model	F.371B.10.0006
Rated Power	6W
LED Type	3535
LED QTY	3PCS
CRI	CRI ≥ 70
PF	≥ 0.9
CCT	3000K/4000K/5000K
Beam Angle	15°/24°/36°
Dimension	L53*W60*H85mm
Weight	0.2KG
Input Voltage	DC24V
Control Mode	Single color ON/OFF
Material	Die-casting Aluminum
Lifespan	50000H
Ambient Temperature	-20°C~+40°C
Ambient humidity	10%~95%RH
Security Level	CLASS III
Ingress Protection	IP66

Model	Light Color		
	3000K (Single color ON/OFF)	4000K (Single color ON/OFF)	5000K (Single color ON/OFF)
F.371B.10.0006.015	450	520	520
F.371B.10.0006.024	495	573	573
F.371B.10.0006.036	421	492	492

Light Distribution Curve

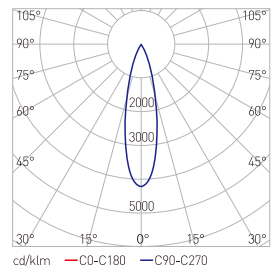
**F.371B.10.0006.015.W4.01**

H(m)	D(m)	Eav(lx)	Ecen(lx)
1.0	0.22	5606	7870
2.0	0.44	1401	1967
3.0	0.67	623	876
4.0	0.89	350	492
5.0	1.11	224	315
6.0	1.33	156	218



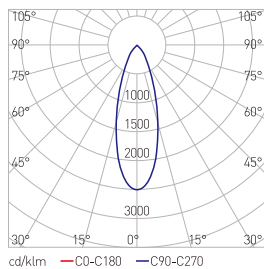
**F.371B.10.0006.024.W4.01**

H(m)	D(m)	Eav(lx)	Ecen(lx)
1.0	0.44	1697	2410
2.0	0.88	424	602
3.0	1.33	189	268
4.0	1.77	106	151
5.0	2.21	68	96
6.0	2.66	47	67

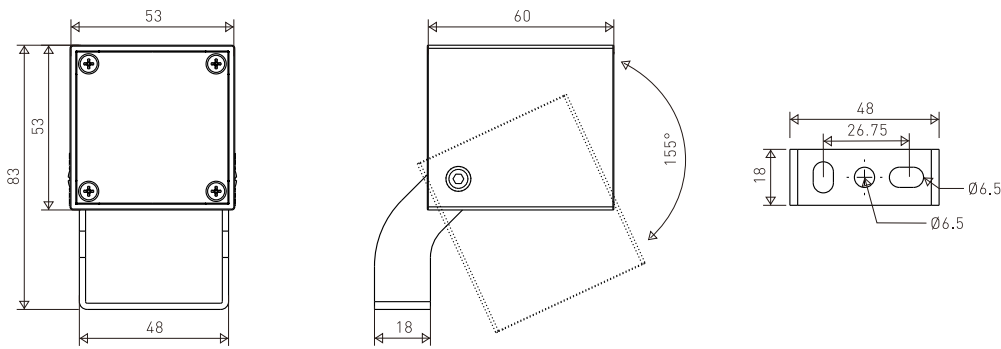


**F.371B.10.0006.036.W4.01**

H(m)	D(m)	Eav(lx)	Ecen(lx)
1.0	0.56	831	1273
2.0	1.12	208	318
3.0	1.68	92	141
4.0	2.24	52	79
5.0	2.81	33	50
6.0	3.37	23	35



Unit: mm



- 1、Drilling 2 holes on the mounting surface, it is recommended to install and fix with M6\*20 expansion screws.  
According to the installation position, select different fixing methods as shown below:
- 2、After fixing the lamp, then adjust the lighting Angle with L-shaped hexagon wrench.  
The lamp body can be rotated within 155°, and the two screws on both sides should be locked and fixed at the same time, as shown in Figure 2;
- 3、Connecting the power cord: According to the different color of the power cord to differentiate the Null wire/ Live wire/ Ground wire.  
Attention: It is recommended that the professional electrician installs the lamp to avoid the danger of electric shock.

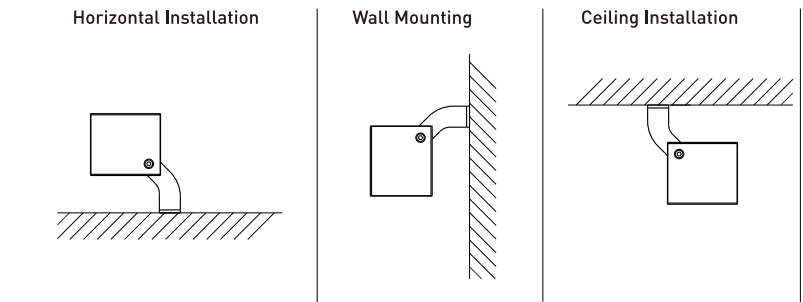


Figure 1

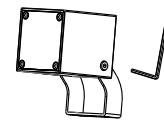


Figure 2

**Encoding Rule** Example: F.371B.10.0006.036.W3.01

Product Type	Product Code	Classification	Light Source	Rated Power	Beam angle	Light Color	Input Voltage
F: Flood light	371	B	10: LED	0006: 6W	015: 15° 024: 24° 036: 36°	W3: 3000K W4: 4000K W5: 5000K	01: DC24V

**Color Options:**

