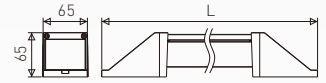
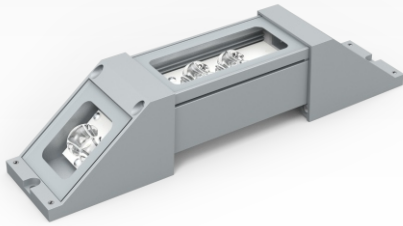


Specification HYPERION F.220A



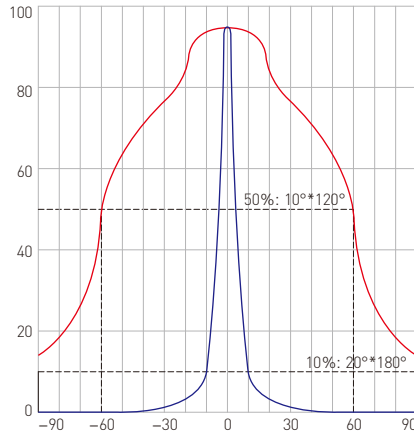
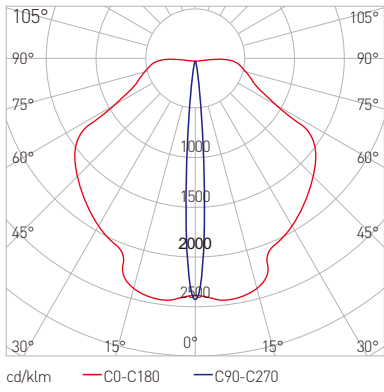
Features

- F.220A is one LED window light with simple and fashion design and tiny shape;
- The perfect combination of the unique structural design and the special lenses to be with 360 ° light emitting;
- Suitable for windows with different sizes, which can achieve uniform illumination around the window;
- There is no need to installation brackets, quickly and conveniently installation, and it can reach the horizontal level by adjusting 4 screws on the both sides when installed on the beveled window edge;
- The surface is sprayed with fluorocarbon, which is effectively against UV rays and harsh environmental corrosion;
- The length of the luminaire can be customized according to the power;
- Ingress Protection is up to IP65.

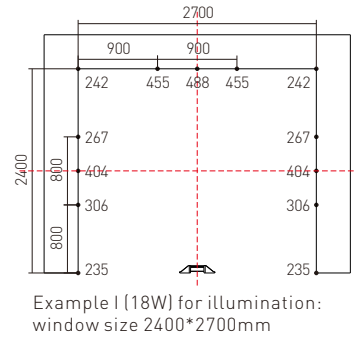
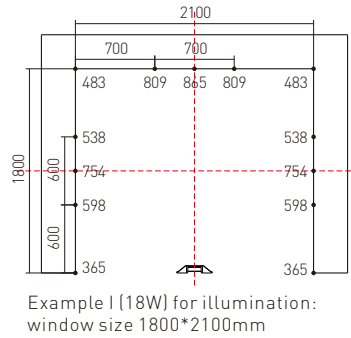
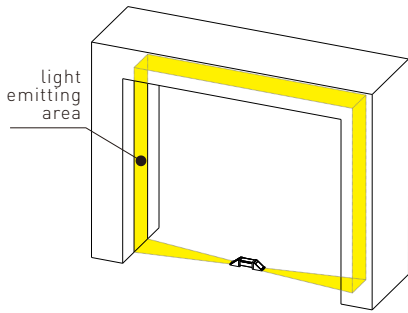
Technical Data

Model	F.220A.10.0010.10120	F.220A.10.0020.10120	F.220A.10.0030.10120	F.220A.10.0040.10120	F.220A.10.0050.10120
Rated Power	10W	20W	30W	40W	50W
LED Source	3535	3535	3535	3535	3535
LED QTY	4	8	12	16	20
CRI	CRI70	CRI70	CRI70	CRI70	CRI70
Beam Angle	10°*120°	10°*120°	10°*120°	10°*120°	10°*120°
Input Voltage	DC24V	DC24V	DC24V	DC24V	DC24V
Dimension	310*65*65mm	310*65*65mm	370*65*65mm	430*65*65mm	490*65*65mm
Weight	1.0KG	1.0KG	1.14KG	1.28KG	1.42KG
Control Mode	Single color ON/OFF, Single color changing				
Material	Die-casting Aluminum+Tempered glass				
Lifespan	50000H				
Ambient Temperature	-20°C~+40°C				
Ambient humidity	10%~95%RH				
Security Level	CLASS III				
Ingress Protection	IP65				

Model	Emitting Color					
	3000K (Single Color ON/OFF)	4000K (Single Color ON/OFF)	5000K (Single Color ON/OFF)	3000K (Single Color Changing)	4000K (Single Color Changing)	5000K (Single Color Changing)
F.220A.10.0010.10120	702	702	751	618	618	661
F.220A.10.0020.10120	1404	1404	1502	1236	1236	1322
F.220A.10.0030.10120	2106	2106	2254	1850	1850	1980
F.220A.10.0040.10120	2808	2808	3005	2470	2470	2640
F.220A.10.0050.10120	3510	3510	3756	3089	3089	3305



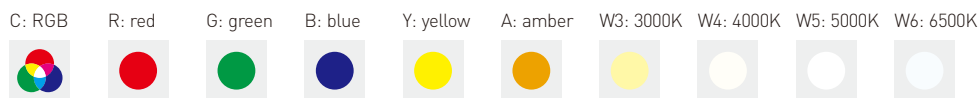
Optical properties (Unit: Lux)



Encoding Rule example: F.220A.10.0050.10120.W3.01

Product Type	Product Code	Classification	Light Source	Rated Power	Beam Angle	Light Color	Input Voltage
F: Window Light	220	A	10: LED	0010:10W 0020:20W 0030:30W 0040:40W 0050:50W	10120: 10°*120°	W3: 3000K W4: 4000K W5: 5000K	01: DC24V

Optional light color:



Changzhou Green Lighting Co., Ltd.

No.269 Fumin Rd, Economic Development Zone, Changzhou, China
 Tel: +86 519 88406000 88411399
 Fax: +86 519 88406100
 Email: green@china-greenlighting.com