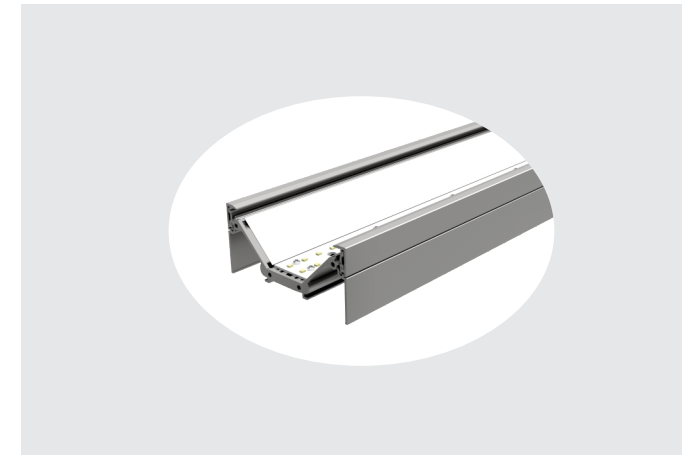


# LED Tunnel Light

## BOREAS T.61 SERIES

BOREAS T.61 series tunnel light has a linear appearance, simple and fashionable, and a beautiful shape. With different sizes, the output power could be from 25W to 240W; The main lamp body is made of high-strength aluminum profiles, with strong structure and impact resistance; Ultra white tempered glass transparent cover can effectively resist corrosion application environment caused by the automobile exhaust, and extend the lifespan of lamp; Brand LED chips and tunnel specific lenses can meet the lighting requirements of different tunnels. Professional designed heat dissipation components can ensure the lamp operate in an environment of max 50°C , greatly reducing the occurrence of early light decay; Professional designed optical components, high-efficiency PET reflective, high-efficiency optical distribution board, ensuring efficient and high-quality light output effect; The continuous installation design creates a seamless, comfortable, brighter, and flicker free visual effect, making it the best option for both new tunnels and the one that needing replacement.

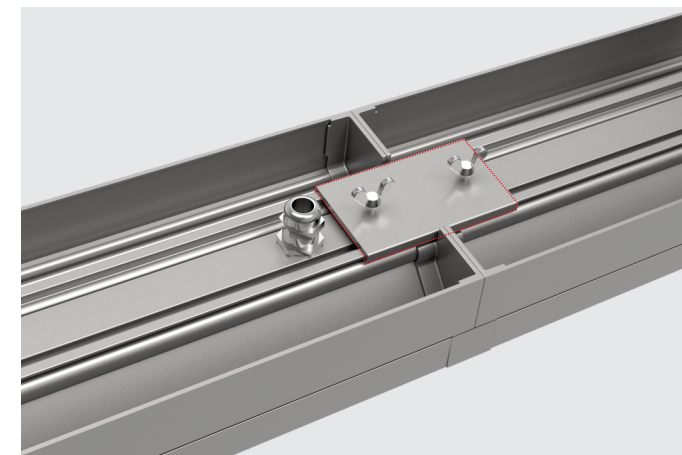


### High efficiency and energy-saving

Efficient LED light source and PET high-efficiency reflective, maximizing light efficiency utilization

### Reliable performance

Integrated aluminium die-casting case, 500 hours anti-salt spray corrosion spraying treatment, which make the body strong and durable, the collision level can reach IK08. Excellent heat dissipation design greatly reduce the lumen depreciation during early stage.



### Multi-function optional

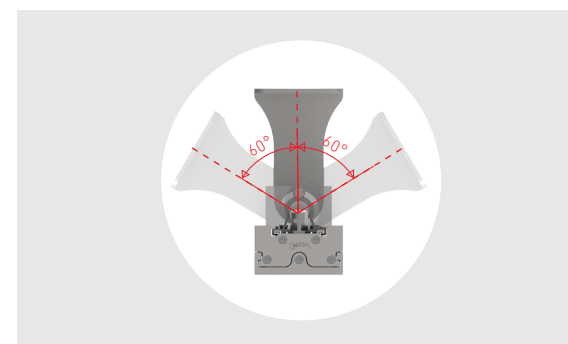
- 1、 Positioning slot mounting parts
- 2、 Flexible lumen options
- 3、 0-10V control

**Slim and delicate**

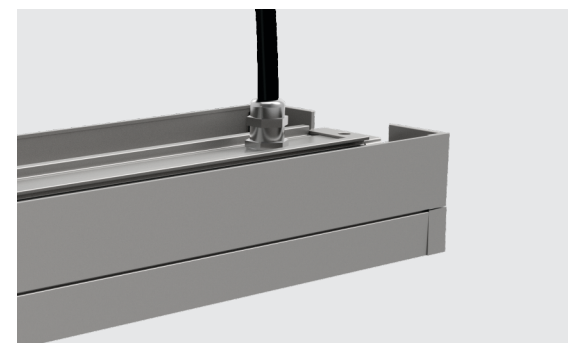
Simple lines, clear edges, and linear appearance

**Optical system**

Special designed optical distribution board for tunnel lamps, with efficient transmittance, no glare, and uniform light output; The high transmittance ultra white tempered glass protective cover has a transmittance max to 92%, can effectively resist corrosion application environment caused by the automobile exhaust, and extend the lifespan of lamp.

**Angle adjustment**

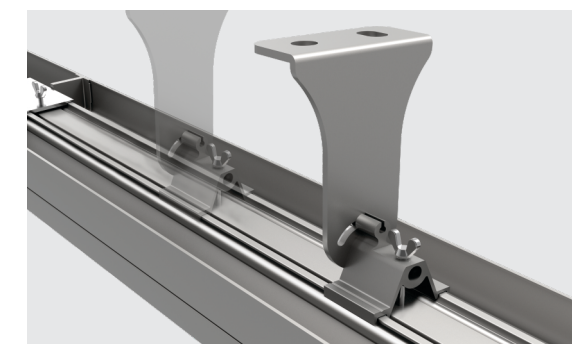
After finished installation, there is no need to disassemble the lamp. Adjust the bracket can adjust the installation angle, which can rotate  $\pm 60^\circ$ .

**Metal cable gland**

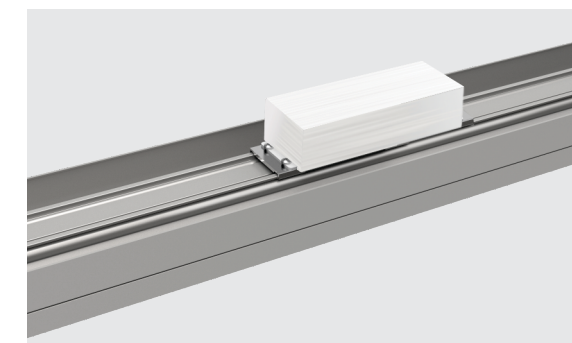
High quality waterproof metal cable gland effectively protects the sealing at the outlet of the lamp, prevents the IP failure caused by aging, effectively avoids the internal electronic components short circuit and other failure faults caused by water leakage.

**Structural waterproof**

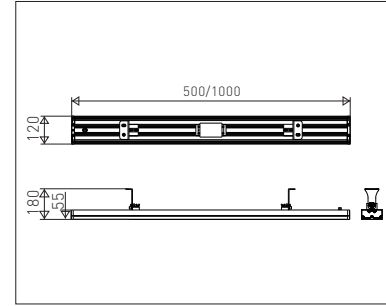
The closed body structure can achieve IP66 without add gluing. Ensure that there is no IP failure caused by adhesive aging in the outdoor environment, effectively avoid the internal electronic component short circuits and other failure faults caused by water leakage.

**Adjustable spacing**

Butterfly shaped screw can adjust the installation spacing, flexible and convenient, suitable for installation in various environments.

**Convenient maintenance**

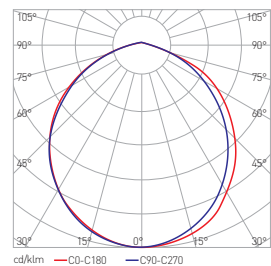
External IP67 waterproof driver, easy to maintenance and can greatly reduce maintenance costs.



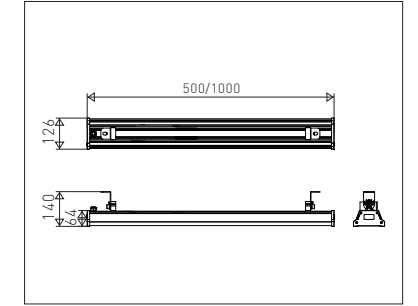
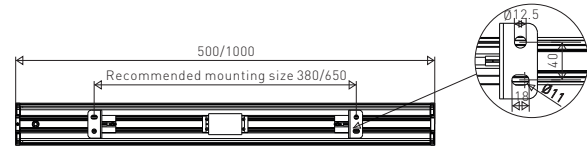
AC176V-265V 50/60Hz 2835 CRI 70 IP66

Model	LED QTY (pcs)	Power (w)	Length (mm)	Luminous Flux (lm) -3000K	Luminous Flux (lm) -4000K	Luminous Flux (lm) -5000K	Beam Angle	Weight (kg)
T.612A.10.0010.0110.XX.02.050	90	10	500	1190	1250	1250	110°	2.3
T.612A.10.0015.0110.XX.02.050	110	15	500	1770	1860	1860	110°	2.3
T.612A.10.0020.0110.XX.02.050	144	20	500	2360	2460	2460	110°	2.3
T.612A.10.0025.0110.XX.02.050	180	25	500	2950	3100	3100	110°	2.3
T.612A.10.0030.0110.XX.02.050	200	30	500	3540	3660	3660	110°	2.3
T.612A.10.0040.0110.XX.02.050	210	40	500	4720	4880	4880	110°	2.3
T.612A.10.0050.0110.XX.02.050	225	50	500	5900	6100	6100	110°	2.3
T.612A.10.0060.0110.XX.02.050	240	60	500	7020	7260	7260	110°	2.4
T.612A.10.0015.0110.XX.02.100	135	15	1000	1800	1875	1875	110°	3.9
T.612A.10.0020.0110.XX.02.100	168	20	1000	2400	2500	2500	110°	3.9
T.612A.10.0030.0110.XX.02.100	210	30	1000	3540	3720	3720	110°	3.9
T.612A.10.0038.0110.XX.02.100	240	38	1000	4520	4758	4758	110°	3.9
T.612A.10.0045.0110.XX.02.100	270	45	1000	5310	5580	5580	110°	3.9
T.612A.10.0060.0110.XX.02.100	315	60	1000	7080	7440	7440	110°	4
T.612A.10.0075.0110.XX.02.100	330	75	1000	8925	9375	9375	110°	4
T.612A.10.0090.0110.XX.02.100	350	90	1000	10530	10890	10890	110°	4.1
T.612A.10.0100.0110.XX.02.100	450	100	1000	11800	12200	12200	110°	4.1
T.612A.10.0120.0110.XX.02.100	468	120	1000	14160	14640	14640	110°	4.3

Remark: "xx" for CCT 3000K/4000K/5000K, example 3000k, then full name is "T.612A.10.0120.0110.W3.02.100"



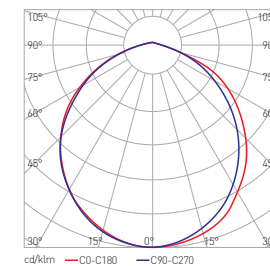
Mounting hole:



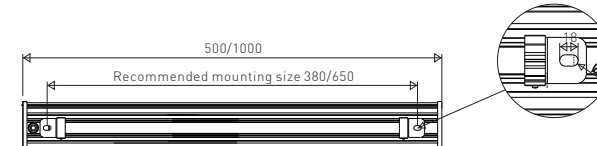
AC176V-265V 50/60Hz 2835 CRI 70 IP66

Model	LED QTY (pcs)	Power (w)	Length (mm)	Luminous Flux (lm) -3000K	Luminous Flux (lm) -4000K	Luminous Flux (lm) -5000K	Beam Angle	Weight (kg)
T.613A.10.0010.0110.XX.02.050	90	10	500	1190	1250	1250	110°	1.9
T.613A.10.0015.0110.XX.02.050	110	15	500	1770	1860	1860	110°	1.9
T.613A.10.0020.0110.XX.02.050	144	20	500	2360	2460	2460	110°	1.9
T.613A.10.0025.0110.XX.02.050	180	25	500	2950	3100	3100	110°	1.9
T.613A.10.0030.0110.XX.02.050	200	30	500	3540	3660	3660	110°	1.9
T.613A.10.0040.0110.XX.02.050	210	40	500	4720	4880	4880	110°	1.9
T.613A.10.0050.0110.XX.02.050	225	50	500	5900	6100	6100	110°	1.9
T.613A.10.0060.0110.XX.02.050	240	60	500	7020	7260	7260	110°	2
T.613A.10.0015.0110.XX.02.100	135	15	1000	1800	1875	1875	110°	3.1
T.613A.10.0020.0110.XX.02.100	168	20	1000	2400	2500	2500	110°	3.1
T.613A.10.0030.0110.XX.02.100	210	30	1000	3540	3720	3720	110°	3.1
T.613A.10.0038.0110.XX.02.100	240	38	1000	4520	4758	4758	110°	3.1
T.613A.10.0045.0110.XX.02.100	270	45	1000	5310	5580	5580	110°	3.1
T.613A.10.0060.0110.XX.02.100	315	60	1000	7080	7440	7440	110°	3.2
T.613A.10.0075.0110.XX.02.100	330	75	1000	8925	9375	9375	110°	3.2
T.613A.10.0090.0110.XX.02.100	350	90	1000	10530	10890	10890	110°	3.3
T.613A.10.0100.0110.XX.02.100	450	100	1000	11800	12200	12200	110°	3.3
T.613A.10.0120.0110.XX.02.100	468	120	1000	14160	14640	14640	110°	3.5

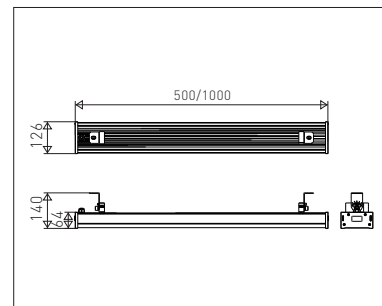
Remark: "xx" for CCT 3000K/4000K/5000K, example 3000k, then full name is "T.613A.10.0120.0110.W3.02.100"



Mounting hole:



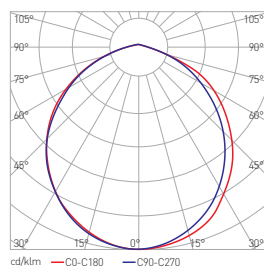




AC176V-265V 50/60Hz 2835 CRI 70 IP66

Model	LED QTY (pcs)	Power (w)	Length (mm)	Luminous Flux (lm) -3000K	Luminous Flux (lm) -4000K	Luminous Flux (lm) -5000K	Beam Angle	Weight (kg)
T.614A.10.0075.0110.XX.02.050	330	75	500	8925	9375	9375	110°	2.4
T.614A.10.0090.0110.XX.02.050	350	90	500	10530	10890	10890	110°	2.5
T.614A.10.0100.0110.XX.02.050	450	100	500	11800	12200	12200	110°	2.5
T.614A.10.0120.0110.XX.02.050	468	120	500	14160	14640	14640	110°	2.7
T.614A.10.0100.0110.XX.02.100	450	100	1000	11800	12200	12200	110°	4.1
T.614A.10.0120.0110.XX.02.100	468	120	1000	14160	14640	14640	110°	4.3
T.614A.10.0150.0110.XX.02.100	620	150	1000	17700	18300	18300	110°	4.3
T.614A.10.0180.0110.XX.02.100	732	180	1000	21240	21960	21960	110°	4.4
T.614A.10.0200.0110.XX.02.100	810	200	1000	23600	24400	24400	110°	4.4
T.614A.10.0225.0110.XX.02.100	916	225	1000	26550	27450	27450	110°	4.4
T.614A.10.0240.0110.XX.02.100	976	240	1000	28320	29280	29280	110°	4.4

Remark: "xx" for CCT 3000K/4000K/5000K, example 3000k, then full name is "T.614A.10.0240.0110.W3.02.100"



Mounting hole:

