

www.cgegd.com

创新引领未来



# CGE Film Capacitor

## 创格电子·薄膜电容器

### Welding Capacitors

### 焊机专用电容器



佛山市顺德区创格电子实业有限公司

FOSHAN SHUNDE CHUANGGE ELECTRONIC INDUSTRIAL CO., LTD.



**佛山市顺德区创格电子实业有限公司** 成立于1997年，是一家集研发、设计、生产、销售及售后服务于一体的大型专业薄膜电容器制造企业，产品产销量历年来在广东省一直居于同行前列。公司自建 30000 平方米高标准厂房，现有员工400多人，工程技术人员50多人，拥有企业工程技术研究开发中心，技术力量雄厚，研发能力强，拥有电容器领域44项专利，其中发明专利12项，实用新型专利25项，外观设计专利7项。

作为国家级高新技术企业、顺德区优质企业成长工程重点扶持企业（龙腾企业），公司获得了ISO9001质量管理体系认证、ISO14001环境管理体系认证，产品先后通过了CQC、UL、VDE、TUV、CB等产品认证，“能源设备用电力电容器”被评为广东省名牌产品，7个系列产品先后获得广东省高新技术产品认定。

公司拥有完善的市场网络和较强的市场管理能力，生产规模和产品的市场占有率在金属化膜电容器行业居领先地位。公司注重技术创新，研发费用投入逐年增长，每年研发投入至少占销售收入的4%以上，在自主研发的同时积极同国内高校进行产学研合作，先后与华中科技大学、辽宁工业大学、广东工业大学等高校开展了广泛的合作。

公司产品一部（家电IH类）主要产品有MKP-X2、MKPH系列家用电磁炉专用电容器。优质的产品，满意的服务在家用IH行业中拥有非常好的口碑。

公司产品二部(商用、工业类) 主要产品有DC-link电容器、IGBT吸收保护电容器、MKPH高压谐振、耦合电容器以及输入输出滤波电容器。广泛应用于商用电磁炉、感应加热设备、UPS、小功率逆变器、高频开关电源、焊机电源、电镀电源、大功率变频器、电动车，并在风能/太阳能发电、变流/变频设备等其他新能源行业得到广泛的应用。

公司产品三部（消费电子类）主要产品有CBB61、CBB60系列交流电动机电容，以及安规电容、分频电容、点火滤波电容、滤波器等系列。在抽油烟机、微波炉、洗衣机、办公设备等行业得到广泛的应用。

Foshan shunde CG Electronic Industry Co., LTD. was founded in 1997, is a large professional film capacitor manufacturer which is collection of R&D, design, production, sales and after-sales service in one. Production and sales volume has been in the forefront in guangdong province in the pass few years. CG Electronic has high standard workshop of 30000 square meters, staff more than 400 people, engineering technical personnel more than 50 people, with the enterprise engineering technology research and development centers. Technical force is abundant, the research and development ability is strong, with 44 patents in the field of capacitor, including 11 invention patents, 25 utility patents and 7 design patents.

As a national high-tech enterprise, obtained support of shunde government program which named "longteng enterprises", company obtained ISO9001 quality management system certification, ISO14001 environmental management system certification, products have passed CQC, UL, VDE, TUV, CB certification, "power capacitor for energy equipment" was rated as brand-name products in guangdong province, seven series products has won the guangdong high-tech products certification.

CG Electronic has perfect market network and strong ability of marketing management, production scale and product market share in the leading position in the metallized film capacitor industry. Company focus on technological innovation, R&D investment increased year by year, annual R&D investing accounts is more than 4% of sales revenue, not only independent research and development, but also cooperation with domestic colleges and universities, successively carry out extensive cooperation with huazhong university of science and technology, liaoning university of technology, guangdong university of technology and other colleges and universities.

Product department 1 (home appliances IH class) the main products are special MKP - X2, MKPH household induction cooker series capacitor. Win very good reputation in household IH market with high quality products and satisfactory service.

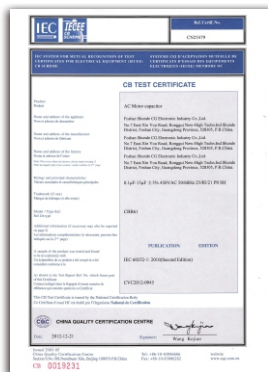
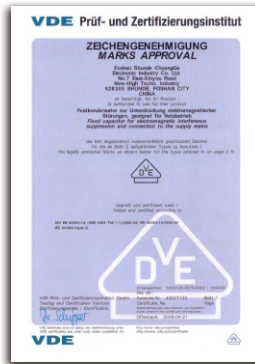
Product department 2 (commercial and industrial) main products are DC link capacitor, IGBT snubber capacitor, MKPH resonance capacitor, coupling capacitor and AC filter capacitor. It is widely applied to commercial induction cooker, induction heating equipment, UPS, small power inverter, high frequency switching power supply, power supply, plating power supply, inverter welding machine, electric cars and so on. And widely used in new energy solar and wind power system.

Product department 3 (consumption electronics), the main products are CBB61, CBB60 ac motor capacitor, X2 capacitor, CBB20 capacitor, ignition capacitor, filter module, etc. Widely used in smoke exhaust ventilator, microwave ovens, washing machines, office equipment and so on.





# 生产流程/荣誉证书



### 产品介绍/Introduction

采用金属化聚丙烯薄膜进行无感式卷绕，特殊喷金工艺，阻燃塑料壳或迈拉胶带封装，阻燃环氧树脂灌封，镀锡铜线、铜插片或铜螺母引出。具有体积小，电流大，温升低，杂散电感小，长寿命等优点，广泛应用于UPS、小功率变频器、逆变器、电镀电源、逆变焊机、感应加热等电力电子设备用作直流滤波。

Non-inductive winding with metallized polypropylene film, special metal spray, flame retardant plastic shell or mylar tape encapsulation, flame retardant epoxy potting, tin plated copper wire, copper sheet or copper nut terminal. small size and large current, low temperature rise, low stray inductance, long lifetime, widely used in UPS, small power inverter, inverter, plating power supply, inverter welding machine, induction heating power for dc filter.

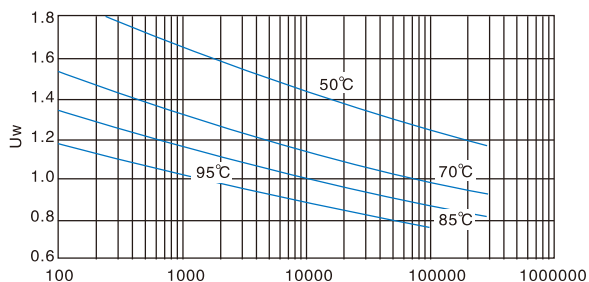


### 性能指标/Technical data

引用标准 Reference	GB/T17702, IEC61071
容量范围 Capacitance	1~150 $\mu$ F
容量偏差 Capacitance Tol.	$\pm 5\%$ (J), $\pm 10\%$ (K)
电压范围 Voltage	400V.DC~1600V.DC
极间耐压 $U_{T-T}$	1.5Un/10s 1.1Un (30% of on-load-dur.)
过电压 Over Voltage	1.15Un (30min/day) 1.2Un (5min/day) 1.3Un (1min/day)
介质损耗角 $\text{tg } \delta_0$	$\text{tg } \delta_0 \leq 0.0002$
绝缘电阻 $R_i X C_n$	$\geq 5000s$ (20 $^{\circ}$ C $\pm$ 5 $^{\circ}$ C 100V.DC 60s)
耐电流冲击能力 $dv/dt$	$> 50V/\mu s$
气候类别 Climatic Category	40/85/21
工作温度范围 Operating Temp.	-40 $^{\circ}$ C~85 $^{\circ}$ C ( $\theta$ h.s $\leq$ 85 $^{\circ}$ C )
储存温度范围 Storage Temp.	-40 $^{\circ}$ C~85 $^{\circ}$ C
最大电极扭矩 Torque of terminals	M6:3.5N.m M8:6N.m
使用海拔 Max.Altitude	$< 4000m$
预期寿命 Lifetime Expectancy	100000h ( $\theta$ h.s $\leq$ 70 $^{\circ}$ C )
封装形式 Encapsulation	迈拉胶带或塑料外壳，黑色或白色环氧
阻燃性 Flame retardation	UL94V-0

注：海拔使用高度超过4000m，应该考虑海拔对冷却和绝缘的影响。

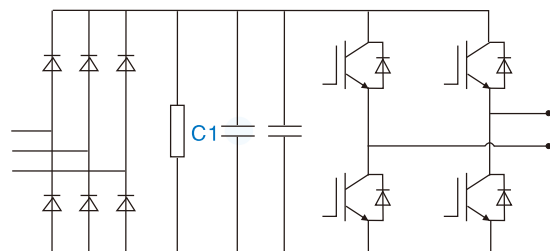
### 预期使用寿命/Lifetime expectancy for MKP-LS



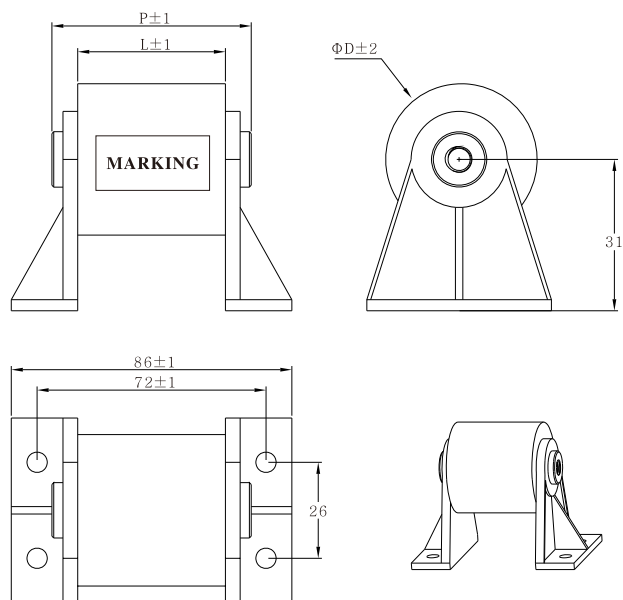
预期使用寿命/Lifetime Expectancy (hours)

工作电压/Uw: permanent working or operating DC-voltage

### 典型线路图/Typical circuit



### 外型及尺寸/Outline drawing

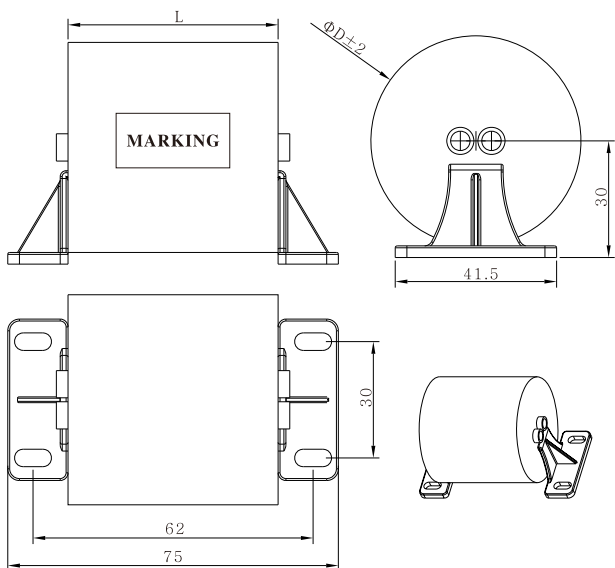


Part number	Un(V.DC)	Cn( $\mu$ F)	$\Phi$ D	L(mm)	P(mm)	Irms
S157080031101	800	150	81	70	84	60A
T4060120031103	1000	40	53	50	65	55A
T4060120031107	1000	40	71	50	70	65A

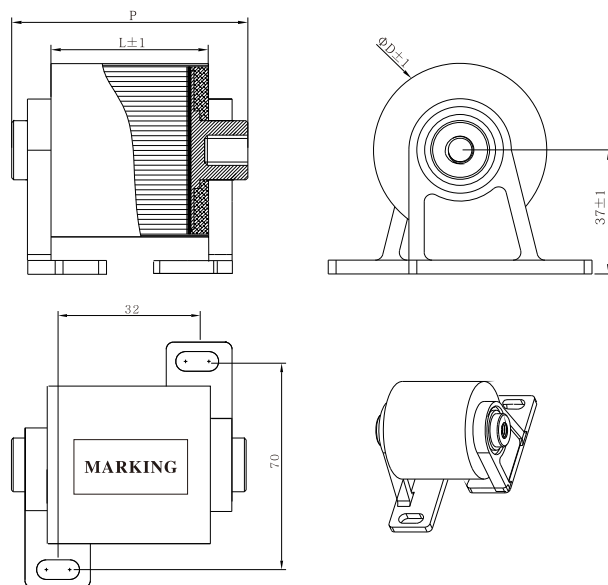


# MKP-LS

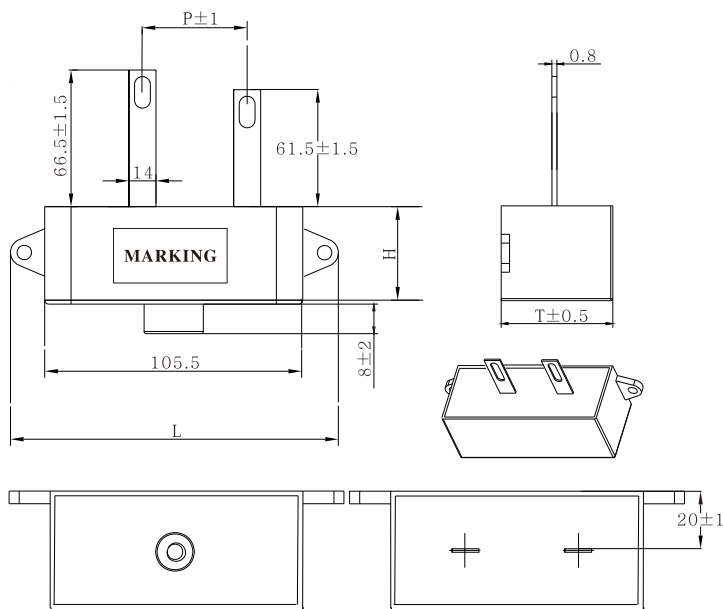
## 小型DC-LINK滤波电容器 DC-LINK capacitor (small)



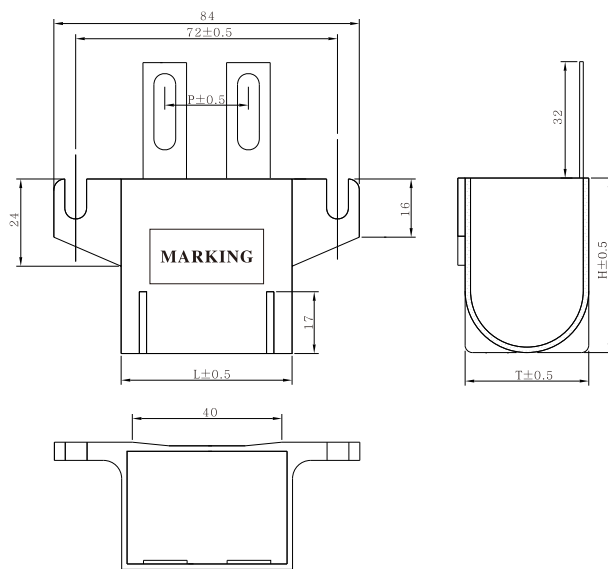
Part number	Un(V.DC)	Cn(μF)	ΦD	L(mm)	Irms
3060070031101	700	30	45	44	40A
6060070031101	700	60	54	54	50A
C606070031101	700	60	54	54	50A



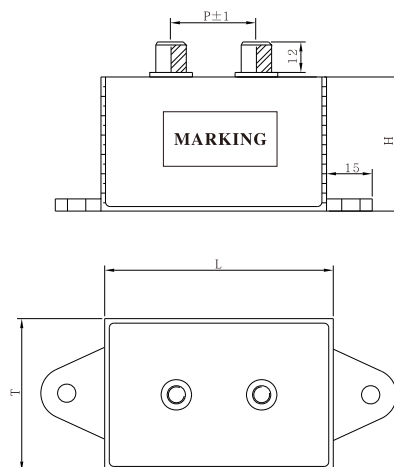
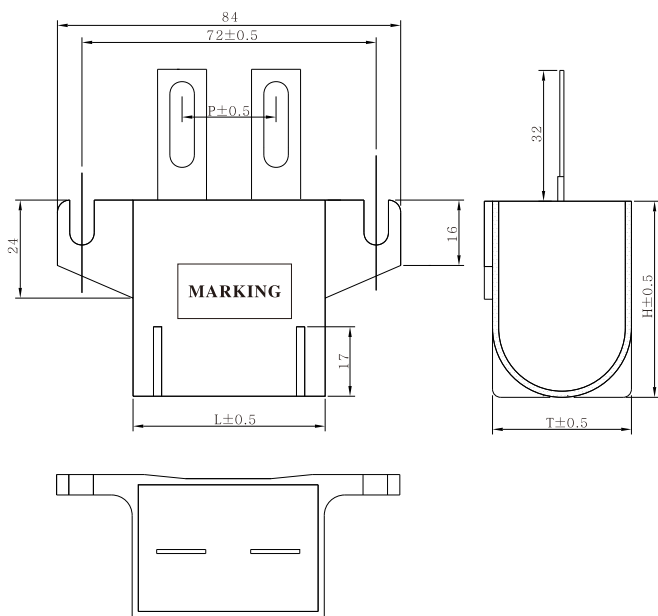
Part number	Un(V.DC)	Cn(μF)	ΦD	L(mm)	P(mm)	Irms
T2060080031140	800	20	58	40	61	55A
T2060140031104	800	20	44	40	60	50A
4060080031115	800	40	55	50	68	60A



Part number	Un(V.DC)	Cn(μF)	L(mm)	T(mm)	H(mm)	P(mm)	Irms
2060040021103	400	2 × 10	102	31	35.5	27.4	30A
3260040021102	400	2 × 16	131	43.5	32	42	20A
6060040021103	400	2 × 16	131	43.5	45	28	50A
C326040021101	400	2 × 16	131	41.5	32	42	30A



Part number	Un(V.DC)	Cn(μF)	L(mm)	T(mm)	H(mm)	P(mm)	Irms
C206080021101	800	20	50	34	50	23	20A
2060080021105	800	20	50	34	50	28	50A
2060080021101G	800	20	50	34	50	23	50A
2060080021105G	800	20	50	34	50	23	50A



Part number	Un(V.DC)	Cn(μF)	L(mm)	T(mm)	H(mm)	P(mm)	Irms
T4060125021106	800	40	75	50	44	28	30A

Part number	Un(V.DC)	Cn(μF)	L(mm)	T(mm)	H(mm)	P(mm)	Irms
4060080021106G	800	40	50	65	52	23	50A

注：以上参数仅做参考，以实际图纸为准。  
Note: the above parameters for reference only, see the drawing for details.

# MKP-LL

大型DC-LINK滤波电容器  
DC-LINK capacitor (large)



## 产品介绍/Introduction

采用金属化聚丙烯薄膜进行无感式卷绕，特殊喷金工艺，圆形铝外壳，阻燃环氧树脂灌封，铜螺栓或铜螺母引出。具有体积小，容量大，过电流能力强，温升低，杂散电感小，寿命长，安装简单方便等优点。替代铝电解电容器，广泛应用于风能、光伏太阳能、SVG、变频器等中、大型逆变系统作直流滤波及支撑。

Non-inductive winding with metallized polypropylene film, special meatl spray, aluminum shell encapsulation, flame retardant epoxy potting, cylinder aluminum shell, flame retardant epoxy potting, copper bolts or copper nuts terminal. small size, large capacitance, good over-current capability, low temperature rise, low stray inductance, long lifetime, simple and convenient installation. Instead of aluminum electrolytic capacitor, which are widely used in wind power, photovoltaic solar energy, SVG, inverter and other medium and large inverter for dc-link in the system.

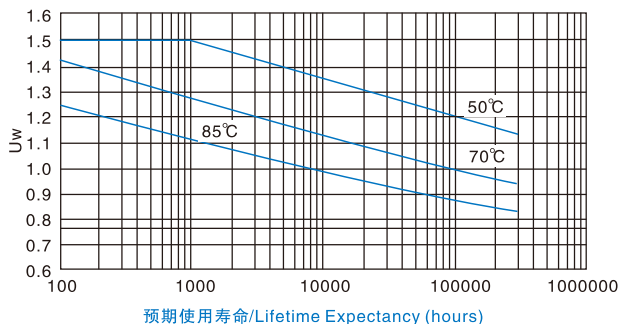


## 性能指标/Technical data

引用标准 Reference	GB/T17702, IEC61071
容量范围 Capacitance	100~2000 $\mu$ F
容量偏差 Capacitance Tol.	$\pm 5\%$ (J), $\pm 10\%$ (K)
电压范围 Voltage	400V.DC~2200V.DC
极间耐压 $U_{T-T}$	1.5Un/10s 1.1Un (30% of on-load-dur.)
过电压 Over Voltage	1.15Un (30min/day) 1.2Un (5min/day) 1.3Un (1min/day)
介质损耗角 $\text{tg } \delta_o$	$\text{tg } \delta_o \leq 0.0002$
绝缘电阻 $RiXc_n$	$\geq 5000s$ (20 $^{\circ}$ C $\pm$ 5 $^{\circ}$ C 100V.DC 60s)
耐电流冲击能力 dv/dt	> 5V/ $\mu$ s
气候类别 Climatic Category	40/70/56
工作温度范围 Operating Temp.	-40 $^{\circ}$ C~70 $^{\circ}$ C ( $\theta$ h.s $\leq$ 85 $^{\circ}$ C)
储存温度范围 Storage Temp.	-40 $^{\circ}$ C~85 $^{\circ}$ C
最大电极扭矩 Torque of terminals	M6:3.5N.m M8:6N.m
使用海拔 Max.Altitude	< 4000m
预期寿命 Lifetime Expectancy	100000h ( $\theta$ h.s $\leq$ 70 $^{\circ}$ C)
封装形式 Encapsulation	铝外壳，黑色环氧
阻燃性 Flame retardation	UL94V-0

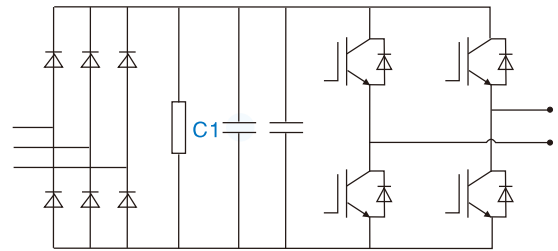
注：海拔使用高度超过4000m，应该考虑海拔对冷却和绝缘的影响。

## 预期使用寿命/Lifetime expectancy for MKP-LL

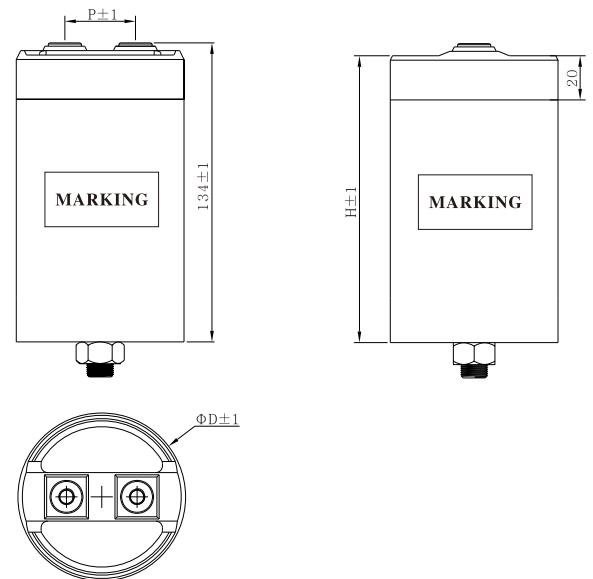


工作电压/ $U_w$ : permanent working or operating DC-voltage

## 典型线路图/Typical circuit

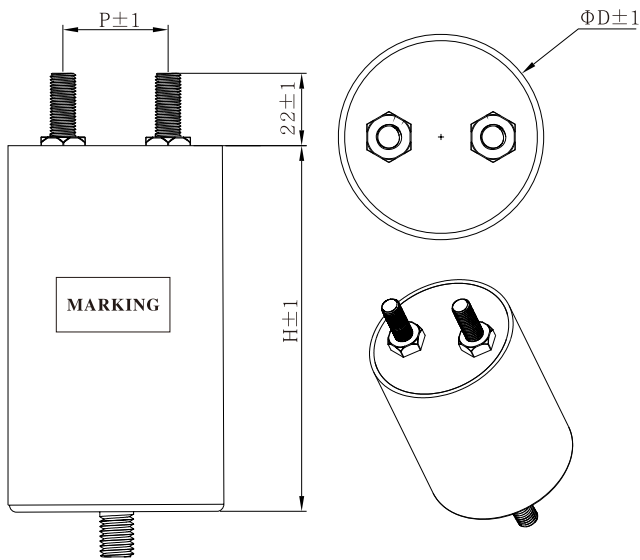


## 外型及尺寸/Outline drawing

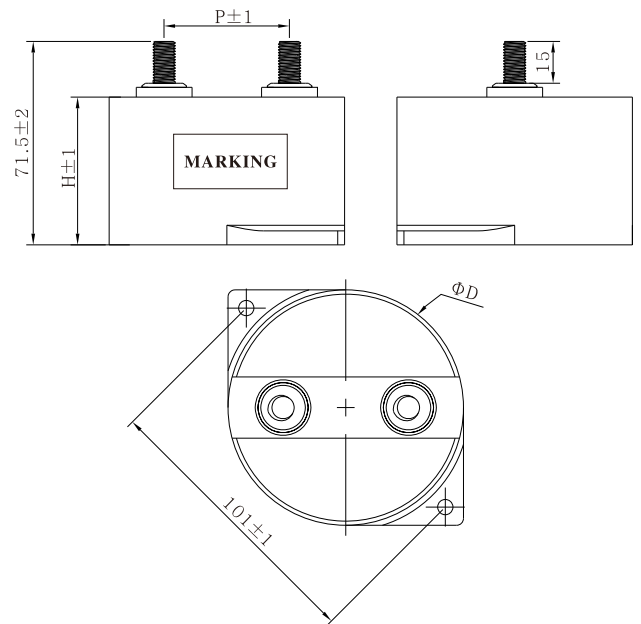


Part number	Un(V.DC)	Cn( $\mu$ F)	$\Phi$ D	H(mm)	P(mm)	Irms
C407080051201	800	400	76	128.5	32	45A

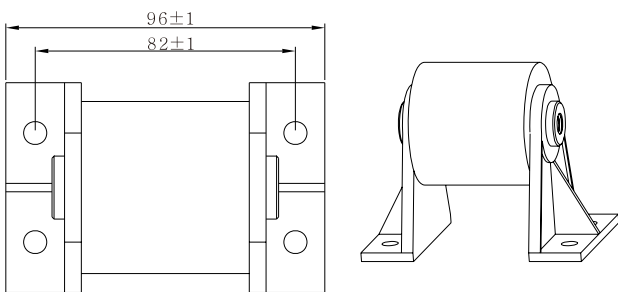
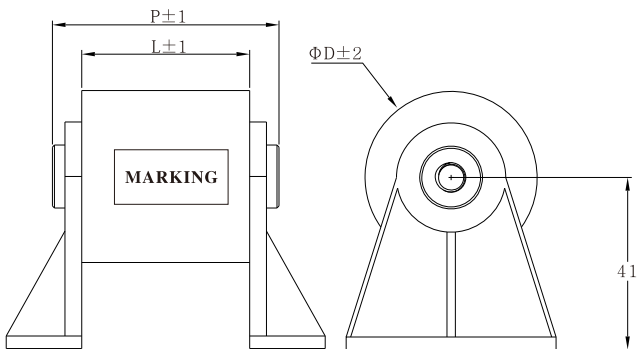




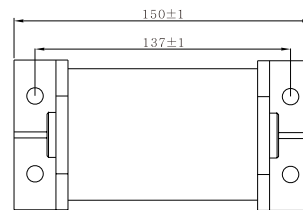
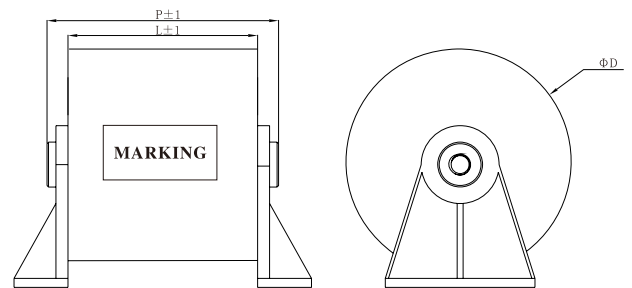
Part number	Un(V.DC)	Cn(μF)	ΦD	H(mm)	P(mm)	Irms
1070080051206	800	100	65	85	33	20A



Part number	Un(V.DC)	Cn(μF)	ΦD	H(mm)	P(mm)	Irms
C1071000511(YB0650)	1000	100	85	51	45	80A



Part number	Un(V.DC)	Cn(μF)	ΦD	L(mm)	P(mm)	Irms
1070080031102	800	100	61	60	74	30A
1070080031108	800	100	61	60	74	30A
2070080031201	800	200	77	70	84	40A



Part number	Un(V.DC)	Cn(μF)	ΦD	L(mm)	P(mm)	Irms
4070080031201	800	400	82	114	130	80A

注：以上参数仅做参考，以实际图纸为准。

Note: the above parameters for reference only, see the drawing for details.

# MKPH-S

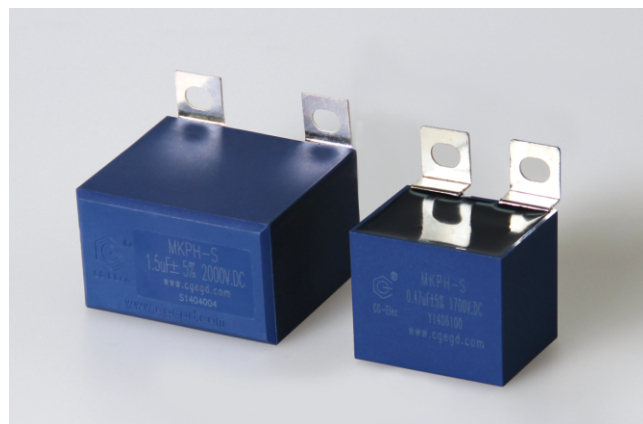
壳式吸收电容器  
Metallized film snubber protection capacitor



## 产品介绍/Introduction

采用金属化聚丙烯薄膜进行无感式卷绕，特殊喷金工艺，阻燃塑料壳封装，阻燃环氧树脂灌封，铜插片、镀锡铜线或软线引出。具有优秀的高频纹波吸收能力，高dv/dt，频率特性好，杂散电感小。产品广泛应用于逆变器、变频器各类逆变系统开关模块（IGBT）中作吸收保护、尖峰电压钳位等场合。

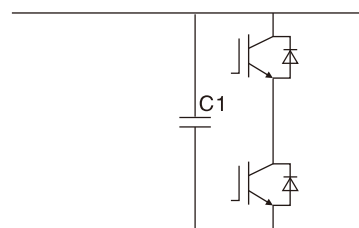
Non-inductive winding with metallized polypropylene film, special metal spray, flame retardant plastic shell encapsulation, flame retardant epoxy potting, tin plated copper wire, copper sheet or soft wire leads. Excellent high-frequency ripple absorption ability, high dv/dt, good frequency characteristic, low stray inductance. Widely used in inverter system for switch module (IGBT) protection, peak voltage clamp, etc.



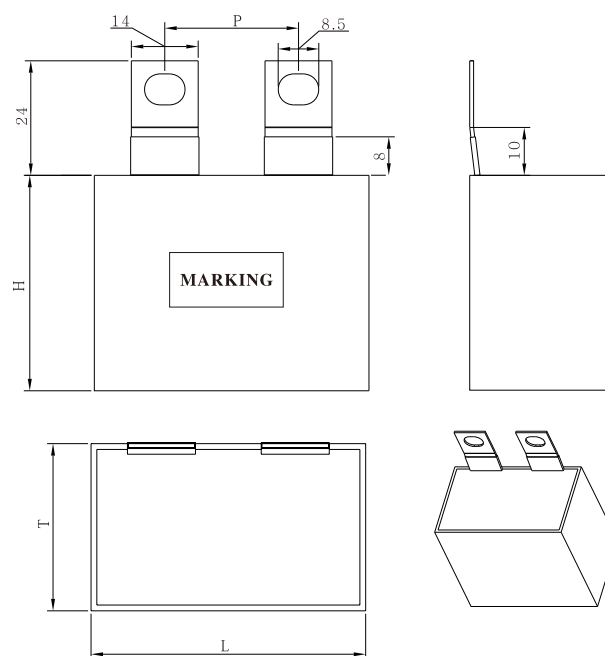
## 性能指标/Technical data

引用标准 Reference	GB/T17702, IEC61071
容量范围 Capacitance	0.047~10 μF
容量偏差 Capacitance Tol.	± 5% (J), ± 10%(K)
电压范围 Voltage	630V.DC~3000V.DC
极间耐压 $U_{T-T}$	1.5~1.75Un/60s
浪涌电压 Surge Voltage	2Un (t < 100ms)
损耗角正切 tg δ	tg δ ≤ 0.0008 (10kHz 20°C)
绝缘电阻 RiXCn	Cn ≤ 0.33 μF ≥ 15000MΩ Cn > 0.33 μF ≥ 10000s
耐电流冲击能力 dv/dt	> 200V/μs
气候类别 Climatic Category	40/85/56
工作温度范围 Operating Temp.	-40°C~85°C (θ h.s ≤ 85°C)
储存温度范围 Storage Temp.	-40°C~85°C
引出方式 Lead Methods	插针、插片、软线
预期寿命 Lifetime Expectancy	100000h (θ h.s ≤ 85°C)
封装形式 Encapsulation	塑料外壳，黑色或白色环氧
阻燃性 Flammability	UL94V-0

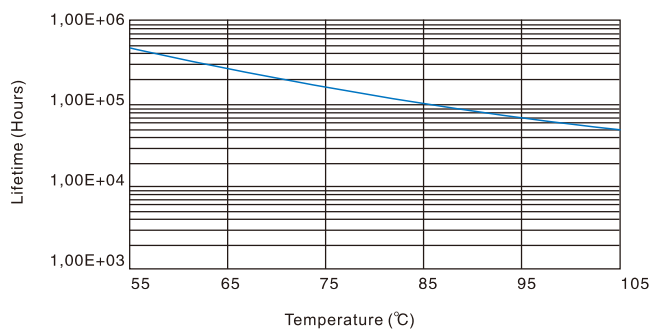
## 典型线路图/Typical circuit



## 外型及尺寸/Outline drawing

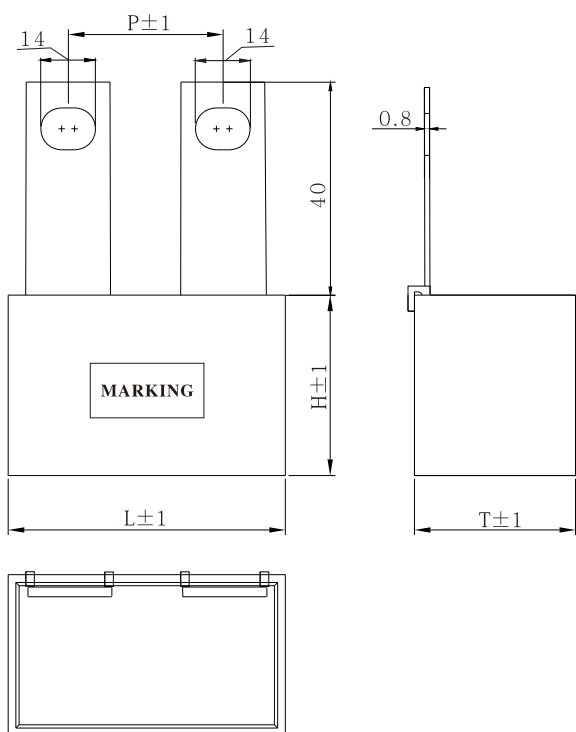


## 预期使用寿命/Lifetime expectancy for MKPH-S

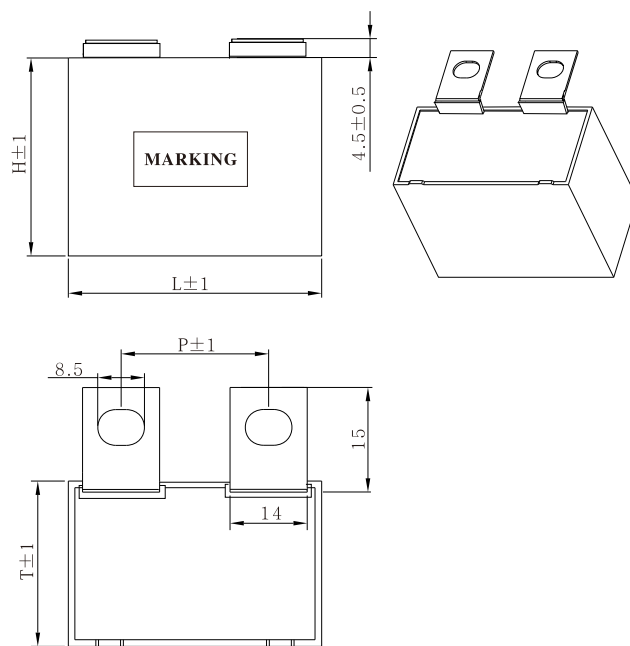


预期使用寿命/Lifetime Expectancy (hours)

Part number	Un(V.DC)	Cn(μF)	L(mm)	T(mm)	H(mm)	P(mm)	Irms
205120021132G	1200	2	57.5	30	45	28	27A

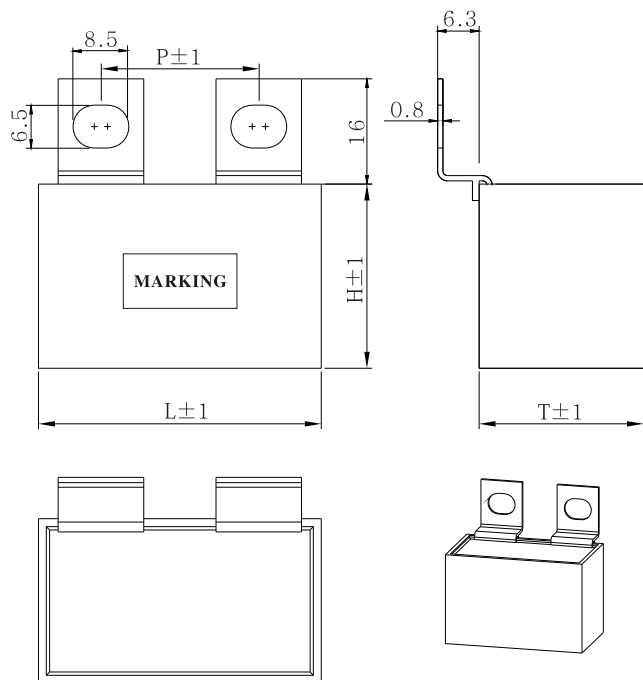


Part number	Un(V.DC)	Cn(μF)	L(mm)	T(mm)	H(mm)	P(mm)	Irms
2550120021102	1200	2.5	57.5	35	50	26	15A



Part number	Un(V.DC)	Cn(μF)	L(mm)	T(mm)	H(mm)	P(mm)	Irms
1050120021101G	1200	1	42.5	33.5	35.5	26	25A
2050120021103	1200	2	59	33	43	26	15A

注：以上参数仅做参考，以实际图纸为准。  
Note: the above parameters for reference only, see the drawing for details.



Part number	Un(V.DC)	Cn(μF)	L(mm)	T(mm)	H(mm)	P(mm)	Irms
4740120021103	1200	0.47	42.5	24.5	27.5	26	15A
4740120021113	1200	0.47	42.5	24.5	27.5	27	15A
1050120021103	1200	1	42.5	33.5	35.5	26	20A
1550120021103	1200	1.5	42.5	33	45	26	20A



# MKPH-SB

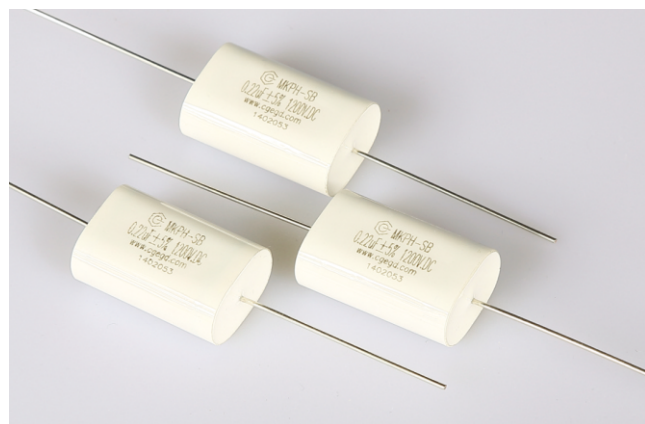
轴向类吸收电容器(扁形)  
Metallized film snubber protection capacitor(ellipse)



## 产品介绍/Introduction

采用金属化聚丙烯薄膜进行无感式卷绕，特殊喷金工艺，迈拉胶带封装，阻燃环氧树脂灌封，镀锡铜线或软线引出。具有优秀的高频纹波吸收能力，高dv/dt，频率特性好，杂散电感小。产品广泛应用于逆变器、变频器各类逆变系统开关模块（IGBT）中作吸收保护、尖峰电压钳位等场合。

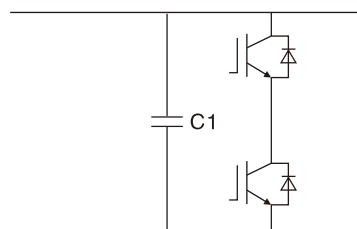
Non-inductive winding with metallized polypropylene film, special metal spray, Mylar tape encapsulation, flame retardant epoxy potting, tin plated copper wire, copper sheet or soft wire leads. Excellent high-frequency ripple absorption ability, high dv/dt, good frequency characteristic, low stray inductance. Widely used in inverter system for switch module (IGBT) protection, peak voltage clamp, etc.



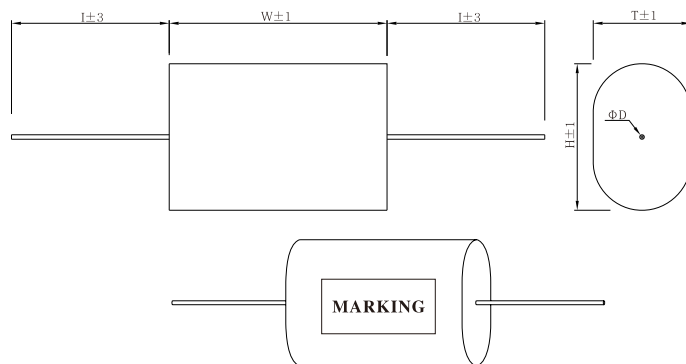
## 性能指标/Technical data

引用标准 Reference	GB/T17702, IEC61071
容量范围 Capacitance	0.01~6.8 μF
容量偏差 Capacitance Tol.	±5% (J), ±10%(K)
电压范围 Voltage	630V.DC~3000V.DC
极间耐压 U <sub>T-T</sub>	1.5~1.75Un/60s
浪涌电压 Surge Voltage	2Un (t < 100ms)
损耗角正切 tg δ	tg δ ≤ 0.0008 (10kHz 20°C)
绝缘电阻 RiXCn	Cn ≤ 0.33 μF ≥ 15000MΩ Cn > 0.33 μF ≥ 10000s
耐电流冲击能力 dv/dt	> 200V/μs
气候类别 Climatic Category	40/85/21 or 40/105/21
工作温度范围 Operating Temp.	-40°C~85°C/105°C
储存温度范围 Storage Temp.	-40°C~85°C
引出方式 Lead Methods	插针、软线
预期寿命 Lifetime Expectancy	100000h (θ h.s ≤ 85°C)
封装形式 Encapsulation	迈拉胶带，白色环氧

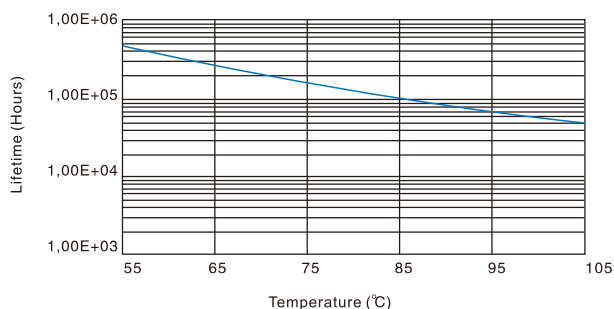
## 典型线路图/Typical circuit



## 外型及尺寸/Outline drawing



## 预期使用寿命/Lifetime expectancy for MKPH-SB



预期使用寿命/Lifetime Expectancy (hours)

Part number	Un(V.DC)	Cn(μF)	ΦD	l(mm)	W(mm)	T(mm)	H(mm)	Irms
3350060031101	600	3.3	1.2	45	32	14	24	10A
4050060031102	600	4	1.2	43	37	14	23	10A
2250070031102	700	2.2	1.2	70	44	23	35	12A
3050080031201	800	3	1.2	43	37	22.5	31.5	10A
1040120031101	1200	0.1	0.8	42	32	9.5	16	6A
1540120031101	1200	0.15	1	43	32	10	18	8A
2240120031101	1200	0.22	1	45	32	13	21	9A
4740120031102	1200	0.47	1.2	42	44	16	24	10A
4740120031119	1200	0.47	1.2	43	32	18	27	10A
1050120031101	1200	1	1.2	42	44	23	34	10A

注：以上参数仅做参考，以实际图纸为准。

Note: the above parameters for reference only, see the drawing for details.

## 产品介绍/Introduction

采用耐高温金属化聚丙烯薄膜进行无感式卷绕，特殊喷金工艺，迈拉胶带封装，阻燃环氧树脂灌封，铜螺母引出。具有体积小，杂散电感小，过电流能力强，稳定性好的特点，广泛应用于各类中、高频电子设备的串、并联LC谐振电路。安装简单，方便，搭配灵活。

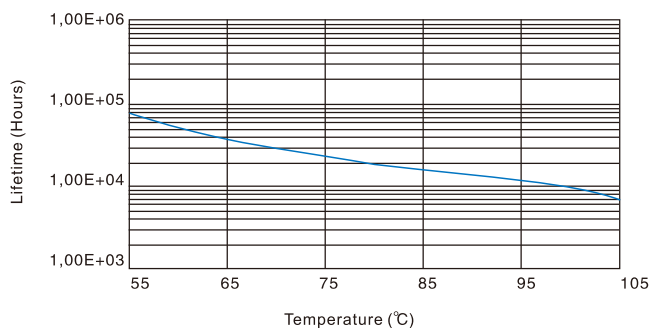
Non-inductive winding with high temperature resistant metallized polypropylene film, special metal spray, Mylar tape encapsulation, flame retardant epoxy potting, copper nut terminal. With small size, small stray inductance, strong over-current capability, good stability characteristics. Widely used in all kinds of medium and high frequency electronic equipment for LC resonance. Installation is simple, convenient, flexible collocation.

## 性能指标/Technical data

引用标准 Reference	GB/T3984, IEC60110
容量范围 Capacitance	0.022~6.8 $\mu$ F
容量偏差 Capacitance Tol.	$\pm 5\%$ (J), $\pm 10\%$ (K)
电压范围 Voltage	400V.AC~4000V.AC
极间耐压 $U_{T-T}$	2Un/10s
过电压Over Voltage	1.05Un (12h/day)
可重复峰值电压	1.5Un
过渡状态瞬时电压	3Un
额定有效电流	20~100A
最大允许电流	1.2In ( $\leq 60$ Hz) 1.15In ( $> 60$ Hz)
损耗角正切 tg $\delta$	tg $\delta \leq 0.0005$ (10kHz 20 $^{\circ}$ C)
绝缘电阻 RiXCn	Cn $\leq 0.33 \mu$ F $\geq 15000$ M $\Omega$ Cn $> 0.33 \mu$ F $\geq 10000$ s
耐电流冲击能力 dv/dt	$> 200$ V/ $\mu$ s
工作温度范围 Operating Temp.	-40 $^{\circ}$ C~85 $^{\circ}$ C/105 $^{\circ}$ C
储存温度范围 Storage Temp.	-40 $^{\circ}$ C~85 $^{\circ}$ C
使用海拔 Max.Altitude	$< 4000$ m
预期寿命 Lifetime Expectancy	30000h ( $\theta$ h.s $\leq 70^{\circ}$ C)
封装形式 Encapsulation	迈拉胶带，白色环氧

注：海拔使用高度超过2000m，应该考虑海拔对冷却和绝缘的影响。

## 预期使用寿命/Lifetime expectancy for MKPH-R



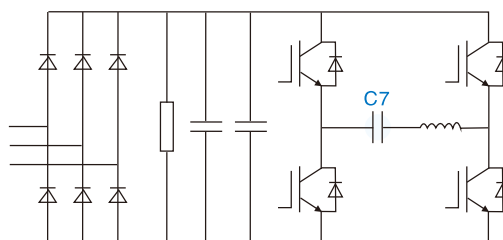
预期使用寿命/Lifetime Expectancy (hours)

注：以上参数仅供参考，以实际图纸为准。

Note: the above parameters for reference only, see the drawing for details.

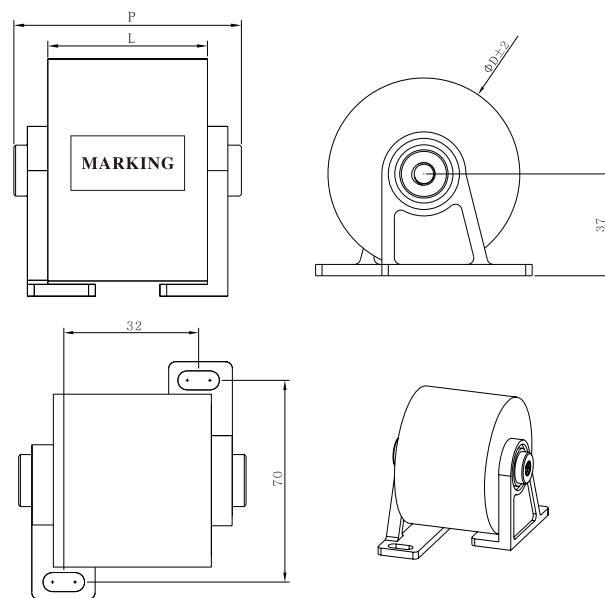


## 典型线路图/Typical circuit



C7: Resonance Capacitors

## 外型及尺寸/Outline drawing



Part number	Un(V.DC)	Cn( $\mu$ F)	$\Phi$ D	L(mm)	P(mm)	Irms
4050050031106	500	4	56	40	60	50A
5050050031104	500	5	62	40	60	50A
6050050031101	500	6	63	40	60	55A
1550075031103G	750	1.5	50	40	60	40A
2050120031120G	1200	2	48	40	60	40A

# MKP-C

交流耦合/交流滤波电容器  
AC coupling/AC filter capacitor



## 产品介绍/Introduction

采用金属化聚丙烯薄膜进行无感式卷绕，特殊喷金工艺，迈拉胶带封装，阻燃环氧树脂灌封，铜插片、铜螺母或铜螺栓引出。具有体积小，杂散电感小，过电流能力强，稳定性好的特点，广泛应用于各类电源，逆变器，感应加热等设备，与功率输出变压器初级作串联连接，作耦合隔直作用。

Non-inductive winding with metallized polypropylene film, and special metal spray, Mylar tape encapsulation, flame retardant epoxy potting, copper nut or sheet terminal. Small size, Low stray inductance, Good over-current capability, Stability characteristics. Widely used in all kinds of power supply, inverter, such as induction heating equipment. Series connection with power output transformer primary for coupling and blocking.

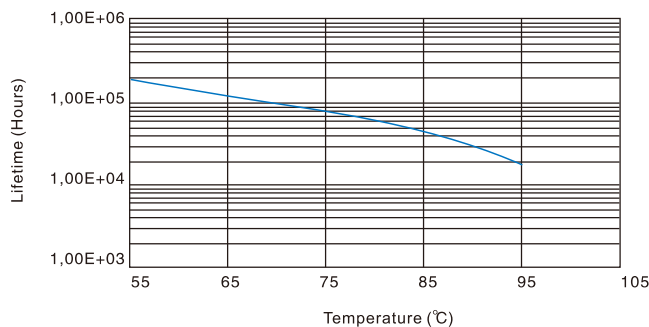


## 性能指标/Technical data

引用标准 Reference	GB/T17702, IEC61071
容量范围 Capacitance	1~60 μF
容量偏差 Capacitance Tol.	±5% (J), ±10%(K)
电压范围 Voltage	200V.AC~800V.AC /600V.DC~2000V.DC
极间耐压 $U_{T-T}$	1.75Un/60s 1.1Un (8h/24h)
过电压 Over Voltage	1.15Un (30min/24h) 1.2Un (5min/24h) 1.3Un (1min/24h)
介质损耗角 $\text{tg } \delta_o$	$\text{tg } \delta_o \leq 0.0002$
绝缘电阻 $RiX_{Cn}$	$\geq 5000s (20^\circ\text{C} \pm 5^\circ\text{C} \quad 100V.DC \quad 60s)$
耐电流冲击能力 $dv/dt$	$> 50V/\mu s$
气候类别 Climatic Category	40/85/21
工作温度范围 Operating Temp.	$-40^\circ\text{C} \sim 85^\circ\text{C} (\theta \text{ h.s} \leq 85^\circ\text{C})$
储存温度范围 Storage Temp.	$-40^\circ\text{C} \sim 85^\circ\text{C}$
引出方式 Lead Methods	插片、铜螺母、铜螺栓
使用海拔 Max. Altitude	$< 4000\text{m}$
预期寿命 Lifetime Expectancy	100000h ( $\theta \text{ h.s} \leq 70^\circ\text{C}$ )
封装形式 Encapsulation	迈拉胶带，白色环氧

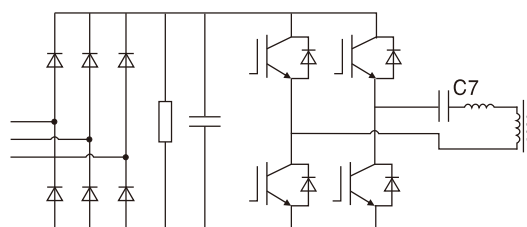
注：1.15Un过电压是以电容器在整个寿命过程中不超过200次为前提。

## 预期使用寿命/Lifetime expectancy for MKP-C



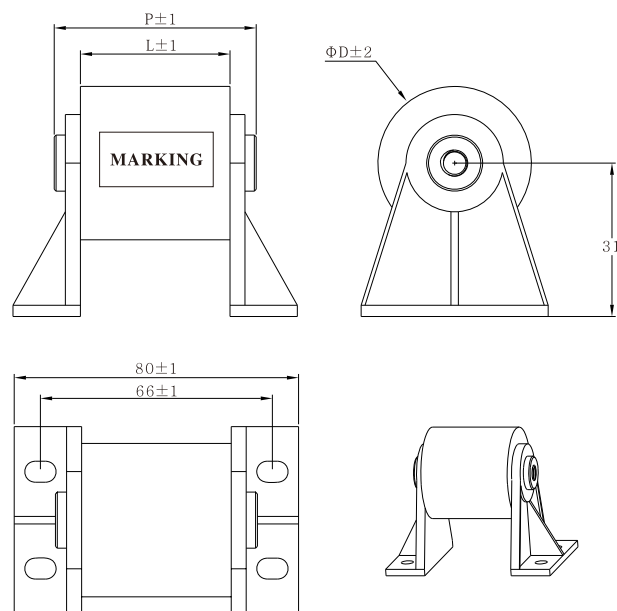
预期使用寿命/Lifetime Expectancy (hours)

## 典型线路图/Typical circuit



C7: AC coupling/AC filter capacitor

## 外型及尺寸/Outline drawing



Part number	Un(V.DC)	Cn(μF)	ΦD	L(mm)	P(mm)	Irms
2060035031302G	350	20	38	44	60.5	30A
C2060350313(YB0102)	350	20	38	44	60.5	30A

注：以上参数仅供参考，以实际图纸为准。

Note: the above parameters for reference only, see the drawing for details.



## 产品介绍/Introduction

采用金属化聚丙烯薄膜进行无感式卷绕，特殊喷金工艺，阻燃塑料壳封装，阻燃环氧树脂灌封，镀锡铜线或铜插片引出。具有频率特性好，杂散电感小，过电流能力强，稳定性好的特点，主要用于UPS、小功率变频器、逆变器、电镀电源、逆变焊机、感应加热等电力电子设备用作直流滤波。

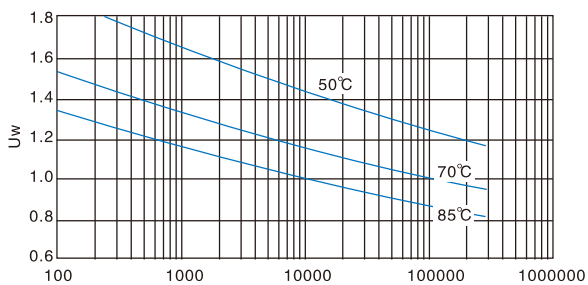
Non-inductive winding with metallized polypropylene film, special metal spray, flame retardant plastic shell encapsulation, flame retardant epoxy potting, tin plated copper wire or copper sheet poles. good frequency characteristic and low stray inductance, strong over-current capability, good stability characteristics, mainly used in UPS, small power inverter, inverter, plating power supply, inverter welding machine, induction heating power for dc filter.

## 性能指标/Technical data

引用标准 Reference	GB/T17702, IEC61071
容量范围 Capacitance	1~80 $\mu$ F
容量偏差 Capacitance Tol.	$\pm 5\%$ (J), $\pm 10\%$ (K)
电压范围 Voltage	250V.DC~1000V.DC
极间耐压 $U_{T-T}$	1.5Un/10s
过电压 Over Voltage	1.1Un (30% of on-load-dur.)
	1.15Un (30min/day)
	1.2Un (5min/day)
	1.3Un (1min/day)
介质损耗角 $\text{tg } \delta_o$	$\text{tg } \delta_o \leq 0.0002$
绝缘电阻 $R_i \times C_n$	$\geq 5000\text{s}$ (20 $^\circ\text{C} \pm 5^\circ\text{C}$ 100V.DC 60s)
耐电流冲击能力 $dv/dt$	> 30V/ $\mu$ s
气候类别 Climatic Category	40/85/56
工作温度范围 Operating Temp.	-40 $^\circ\text{C}$ ~85 $^\circ\text{C}$ ( $\theta$ h.s $\leq$ 85 $^\circ\text{C}$ )
储存温度范围 Storage Temp.	-40 $^\circ\text{C}$ ~85 $^\circ\text{C}$
引出方式 Lead Methods	插针、插片
使用海拔 Max. Altitude	< 4000m
预期寿命 Lifetime Expectancy	100000h ( $\theta$ h.s $\leq$ 70 $^\circ\text{C}$ )
封装形式 Encapsulation	塑料外壳，黑色环氧
阻燃性 Flame retardation	UL94V-0

注：海拔使用高度超过4000m，应该考虑海拔对冷却和绝缘的影响。

## 预期使用寿命/Lifetime expectancy for MKP-LM

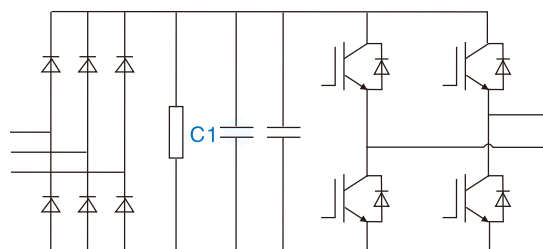


预期使用寿命/Lifetime Expectancy (hours)

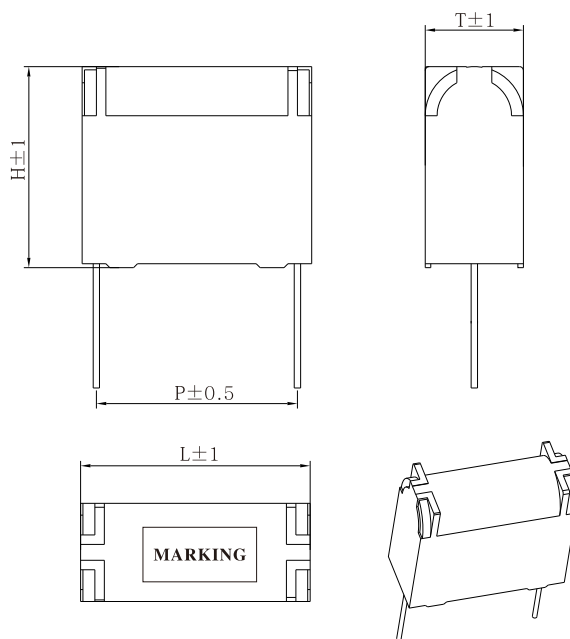
工作电压/Uw: permanent working or operating DC-voltage



## 典型电路图/Typical circuit



## 外型及尺寸/Outline drawing



Part number	Un(V.DC)	Cn( $\mu$ F)	L(mm)	T(mm)	H(mm)	P(mm)	Irms
475040021206	400	4.75	29	12.4	25.4	25.4	8A
225063021103	630	2.25	35.5	12.3	23	31	10A

注：以上参数仅做参考，以实际图纸为准。

Note: the above parameters for reference only, see the drawing for details.

# 市场应用

**HUTONG**  
沪通焊机

**Kaierda**  
凯尔达

**Panasonic**  
工欲善其事 松下电焊机

**DONSUN**  
上海东升焊接集团有限公司  
SHANGHAI DONSUN WELDING GROUP

**瑞凌**  
RILAND

**JASIC** 佳士

**KAIYUAN**

**WTL**

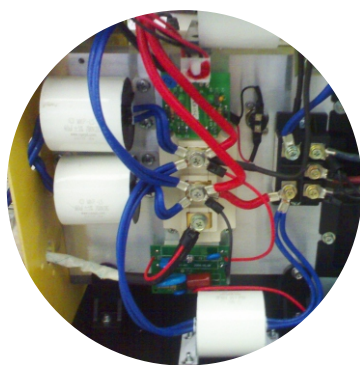
**沪工**

**时代集团**  
TIME GROUP INC.

**Hanwin**  
焊王

**AOTAI**

提供定制设计方案，专业为焊机配套



<http://www.cgegd.com>

Innovation Lead the Future



**家用电器**

Household appliance capacitors

Tel:0757-28378927

Fax:0757-28378928

**工业、商用电容器**

Industrial&commercial induction capacitors

Tel:0757-23619357

Fax:0757-28378928

**消费类电容器**

Consumptive capacitors and filters:

Tel:0757-23619356

Fax:0757-28378928

**技术支持**

Technical Support

Tel:0757-28378933

网络销售 E-Marketing

Tel:0757-28378169

## Contact

地址：广东佛山市顺德区容桂高新技术产业开发园新有东路7号

Add: No.7 East-Xinyou Rd. New-High Techn. Ind.

Shunde Foshan City Guangdong Province China

Tel:+86-757-28399722 Fax:+86-757-28370050

Postcode:528305

E-mail:cge@cgegd.com



▶▶ 本公司保留更改产品设计与规格的权利，届时恕不另行通知；本资料有关数据仅供参考，具体参数请以产品和说明为准  
We reserve to change product designs and specifications at any time without notice; all information here is for reference only, specific parameters should be subject to productions and instruction.